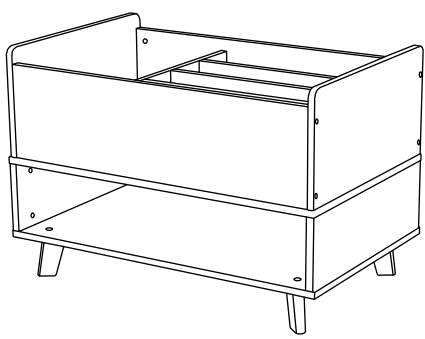


Cleaning

Wipe with a damp cloth and mild soap. Dry with soft, lint free cloth

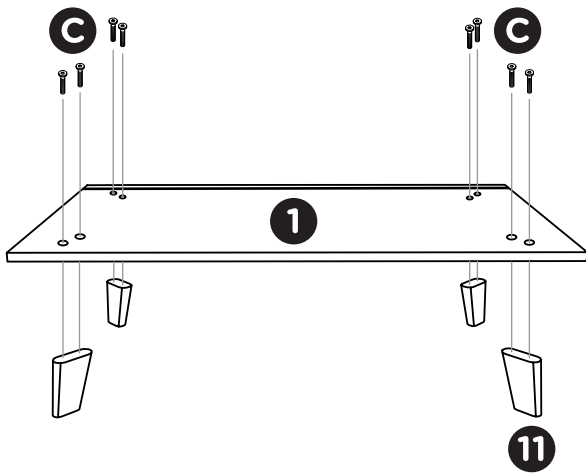
ASSEMBLY INSTRUCTIONS

ITEM	PARTS	QTY	ITEM	PARTS	QTY	ITEM	HARDWARE	QTY
1		1 PC	5		1 PC	A		20 PC
			6		2 PCS (L&R)			
2		1 PC	7		1 PC	B		16 PC
3		1 PC	8		1 PC			
4		3 PC	9		1 PC	C		8 PC
			10		1 PC			
			11		4 PCS			

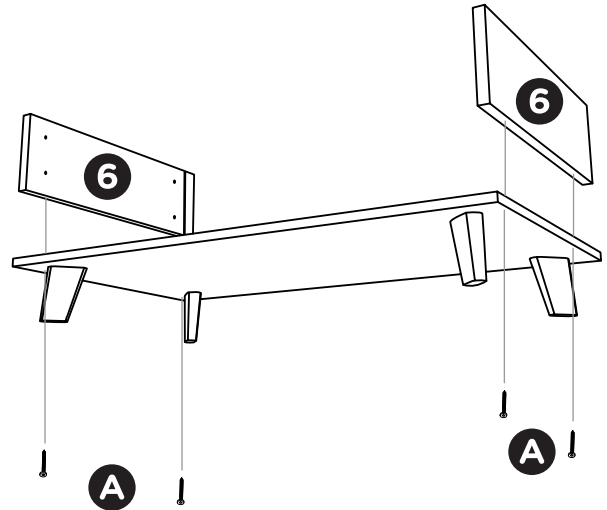


FULLY SET-UP

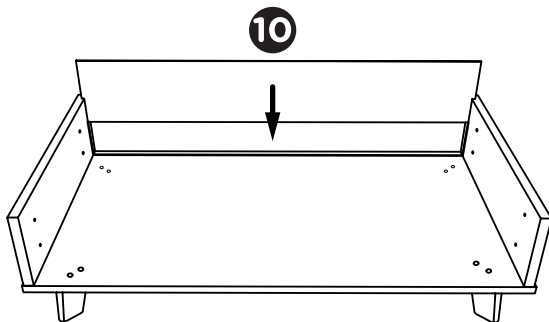
Step 1



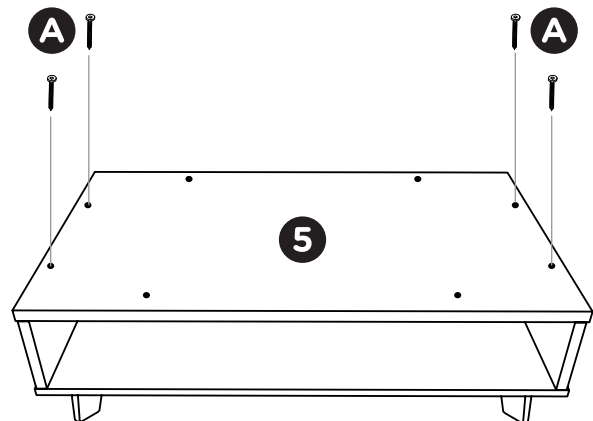
Step 2



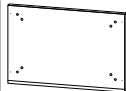
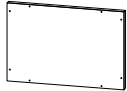









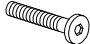


Step 3

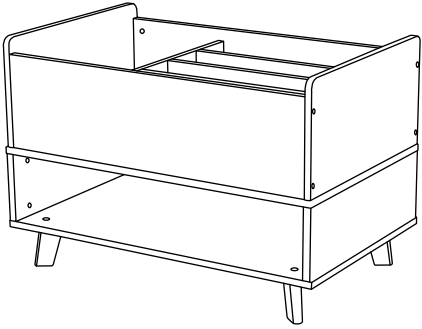


Step 4



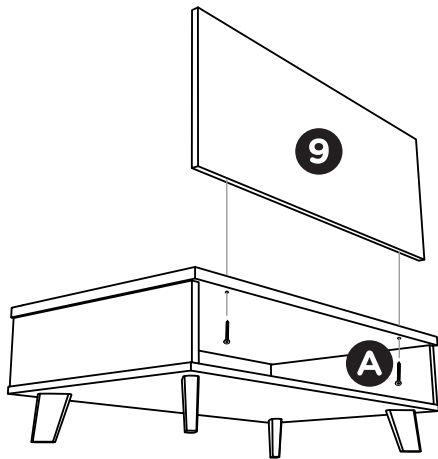
ASSEMBLY INSTRUCTIONS

ITEM	PARTS	QTY	ITEM	PARTS	QTY	ITEM	HARDWARE	QTY
1		1 PC	5		1 PC	A		20 PC
			6		2 PCS (L&R)			
2		1 PC	7		1 PC	B		16 PC
3		1 PC	8		1 PC			
4		3 PC	9		1 PC	C		8 PC
			10		1 PC			
			11		4 PCS			

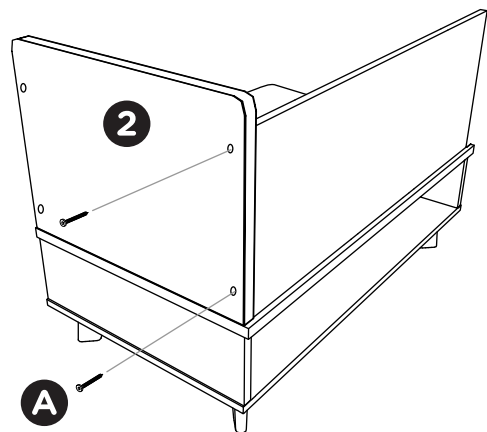


FULLY SET-UP

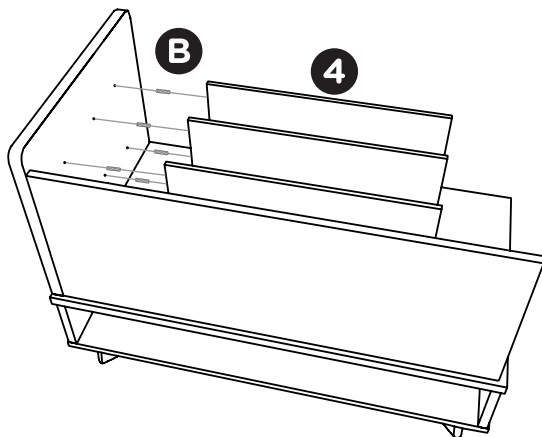
Step 5



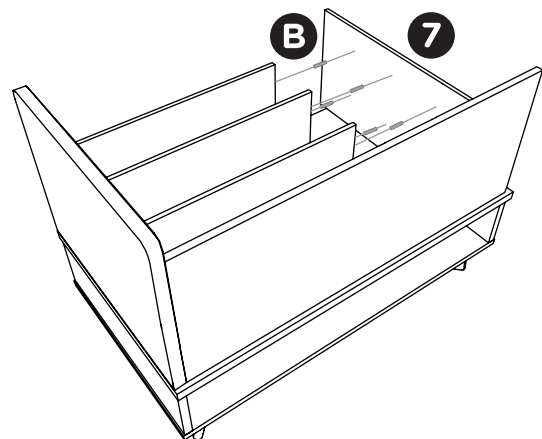
Step 6



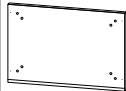
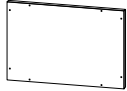



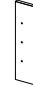








Step 7

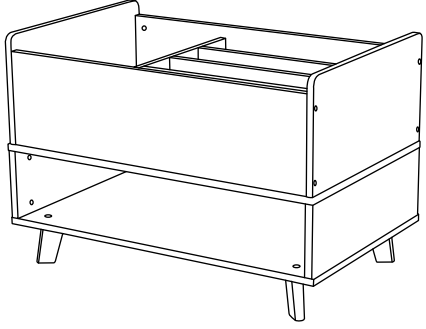


Step 8



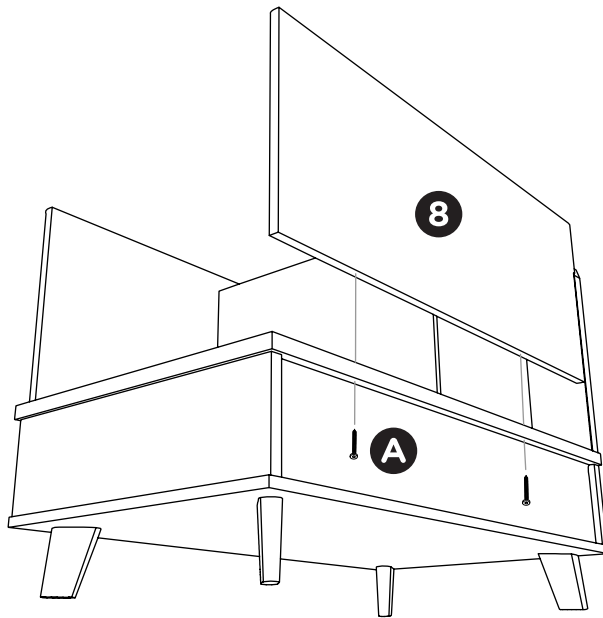
ASSEMBLY INSTRUCTIONS

ITEM	PARTS	QTY	ITEM	PARTS	QTY	ITEM	HARDWARE	QTY
1		1 PC	5		1 PC	A		20 PC
			6		2 PCS (L&R)			
2		1 PC	7		1 PC	B		16 PC
3		1 PC	8		1 PC			
4		3 PC	9		1 PC	C		8 PC
			10		1 PC			
			11		4 PCS			



FULLY SET-UP

Step 9



Step 10

