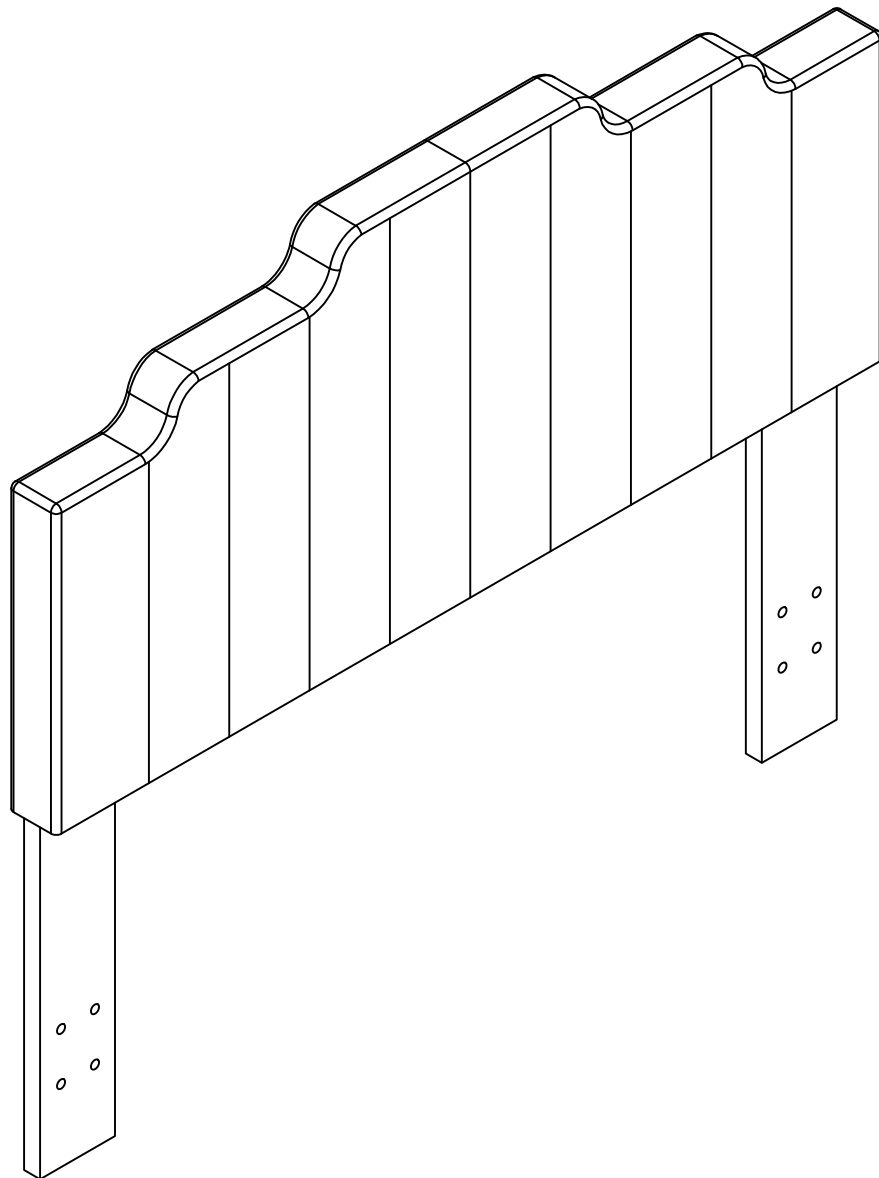
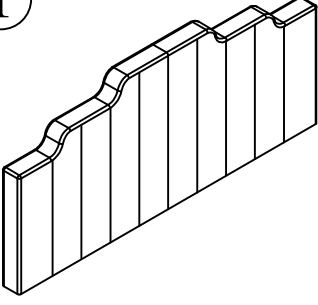
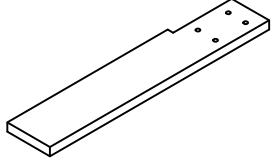
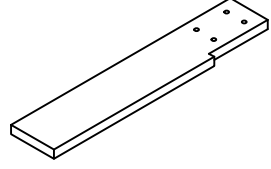


Assembly Guide

Headboard

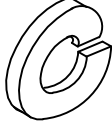
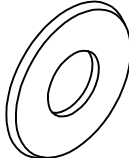
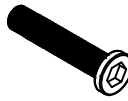
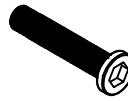


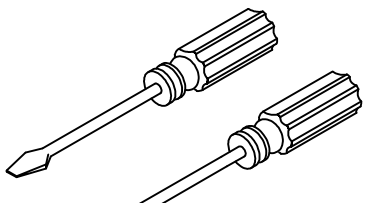


PARTS LIST

① 	② 	③ 
Headboard=1	Left Leg=1	Right Leg=1

Tips: Do not throw away packing materials until assembly is complete for small parts may come loose inside the carton during shipment. If parts are missing, please contact us. Assemble this item on a soft surface, such as carpet to protect the finish.

HARDWARE LIST

A 	B 	C 	D 	E 
Spring Washers=15	Flat Washers=15	5/16" Bolts=11	1/4" Bolts=4	5/16" Allen Key=1
F 				
1/4" Allen Key=1				

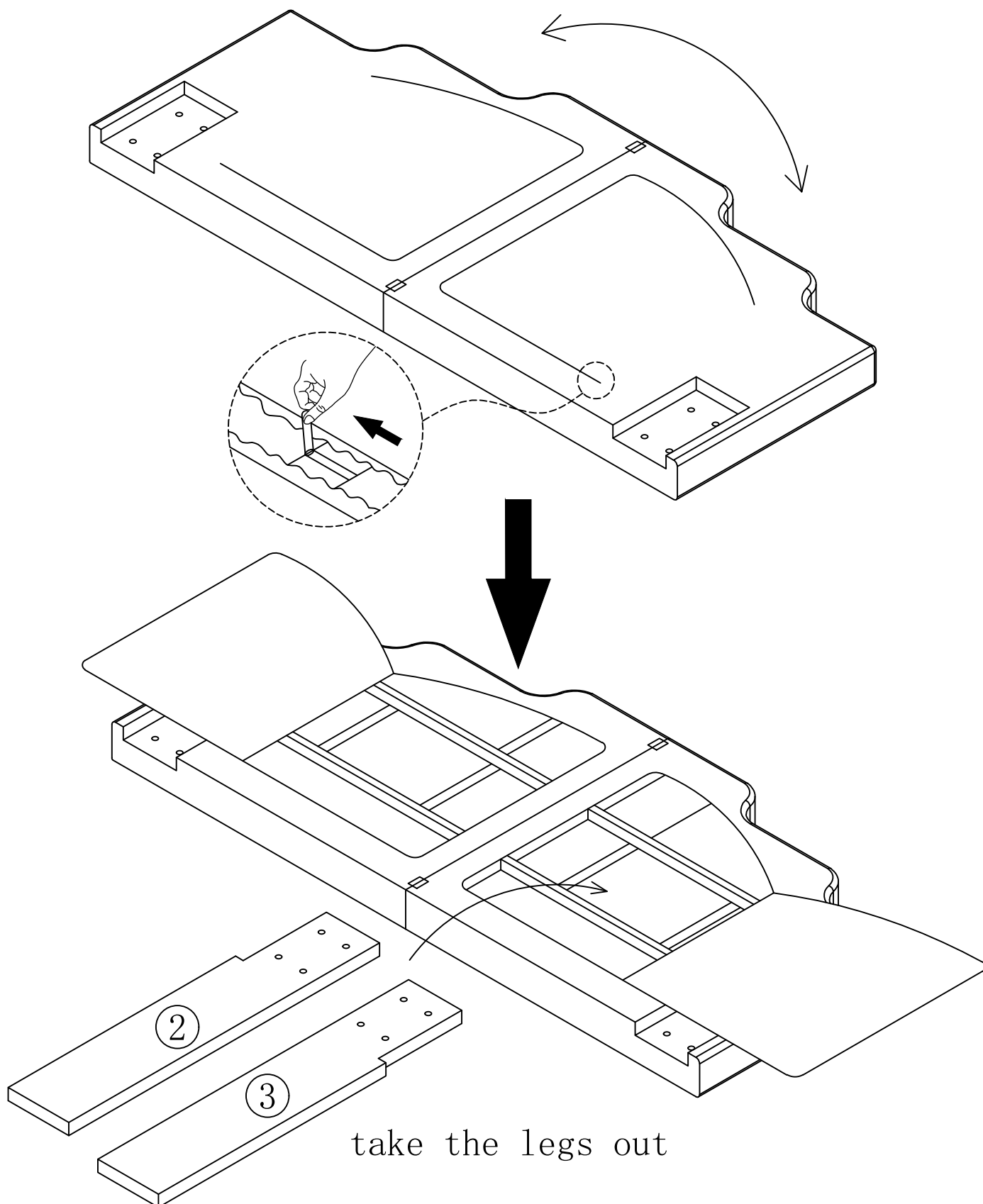
phillips head screw driver required
for assemble---not include

Step 1

Remove all parts from the carton and place them on a protected surface or carpet.

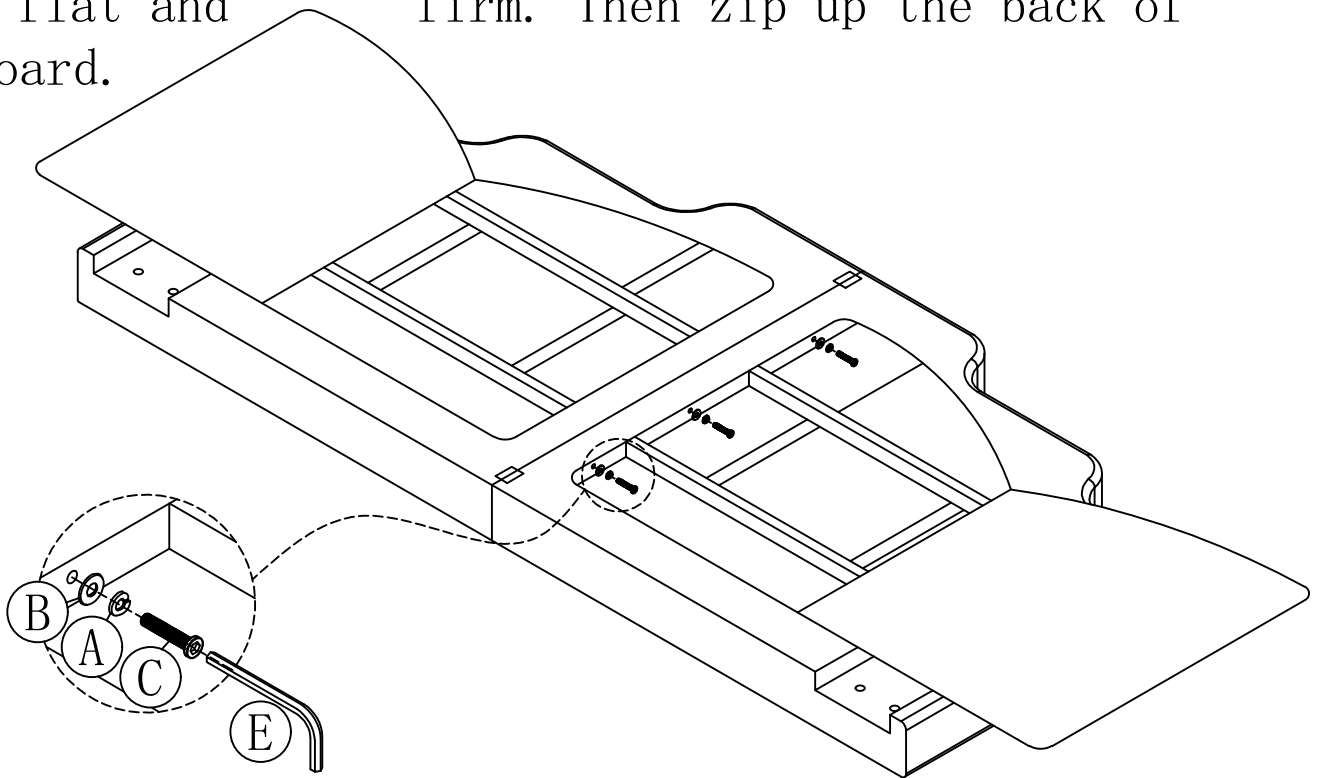
Unfold the two sides of headboard and unzip the zipper from the back of the

headboard,, then take the leg② and eg③ out of it.

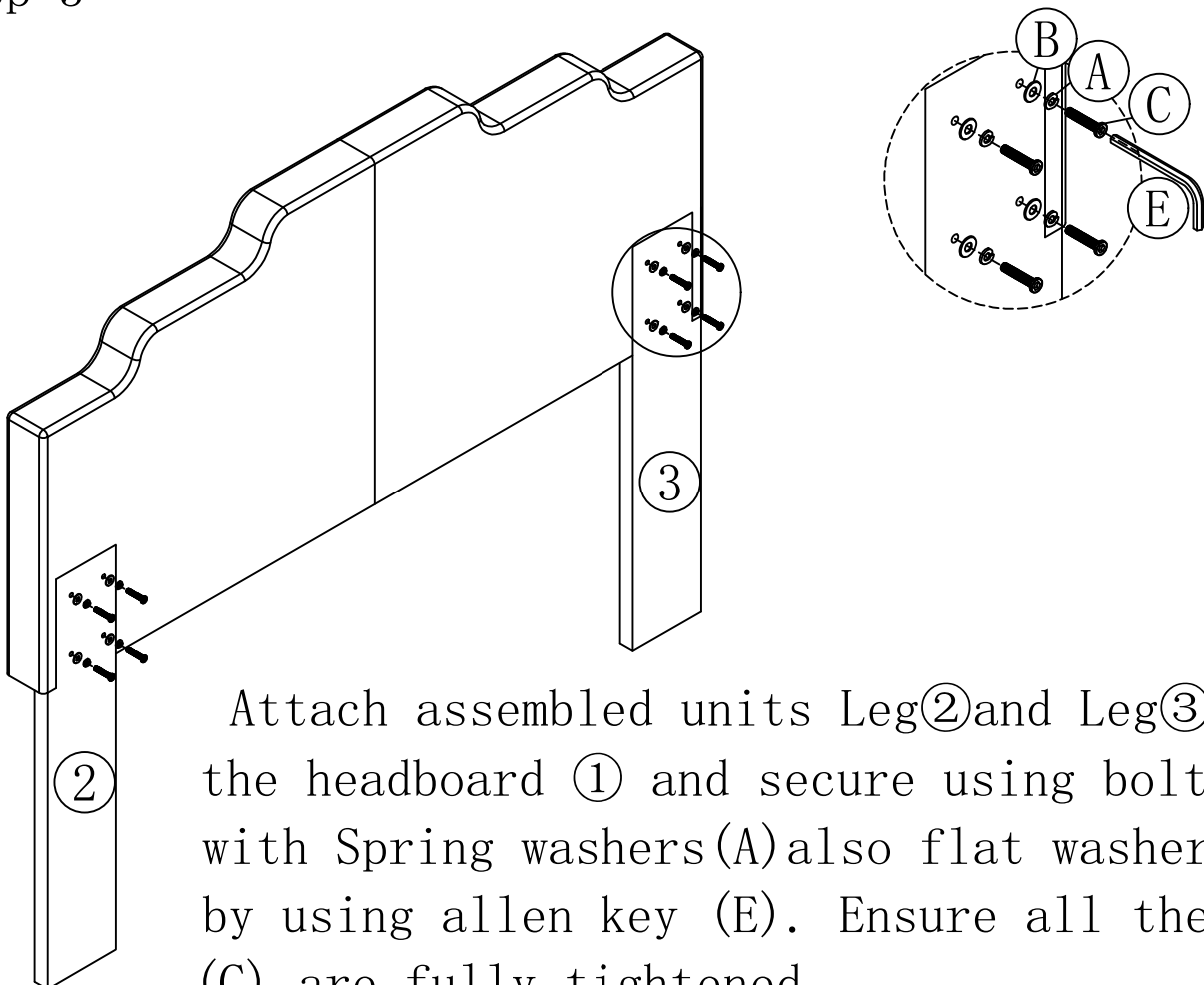


Step 2

Fix the bolts (C) as below drawing instructed with spring washers (A), flat washers (B) by allen key (E), then tighten them to keep the headboard with 2 sides flat and firm. Then zip up the back of headboard.



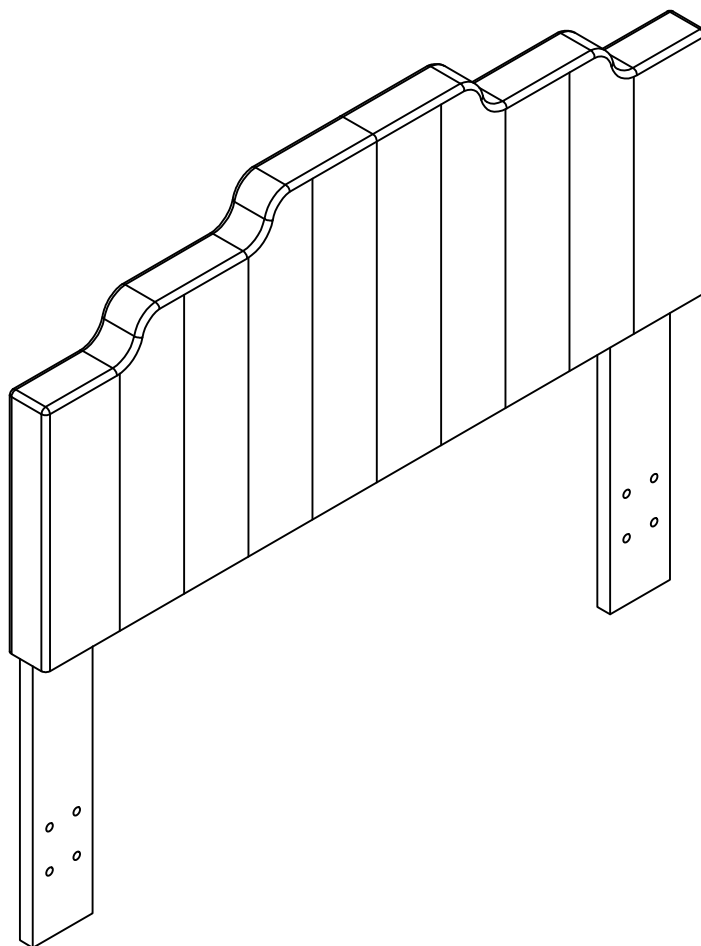
Step 3



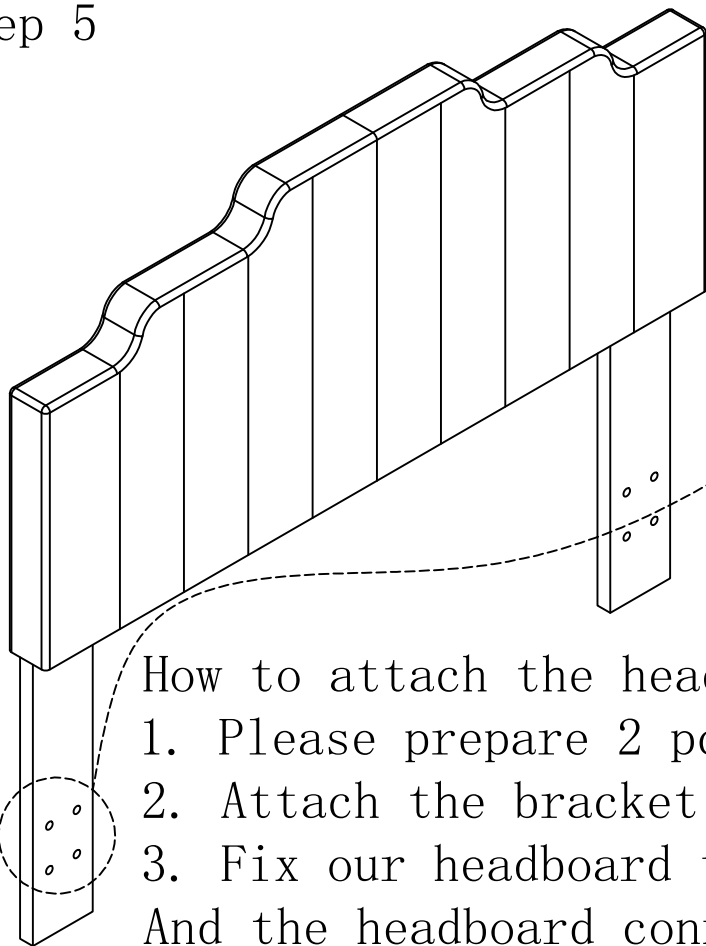
Attach assembled units Leg ② and Leg ③ to the headboard ① and secure using bolts (C) with Spring washers (A) also flat washers (B) by using allen key (E). Ensure all the bolts (C) are fully tightened.

Step 4

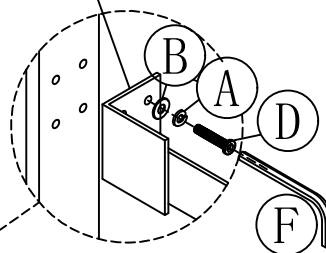
Now the headboard assembly is completed.



Step 5



bracket

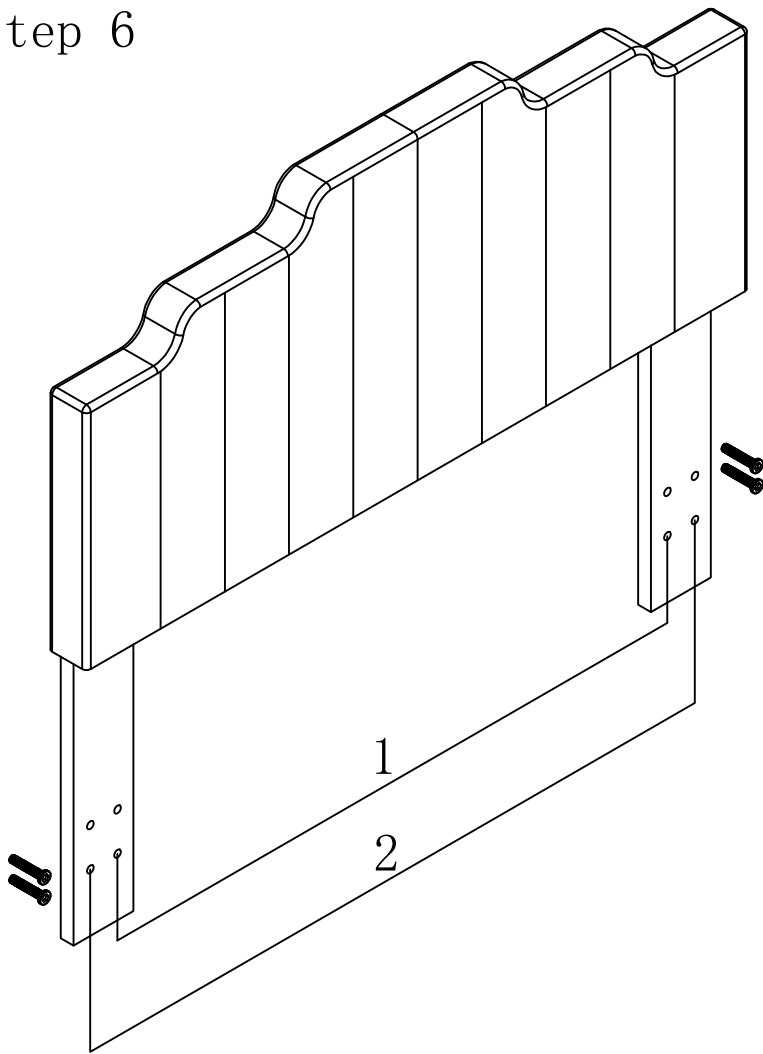


How to attach the headboard with your bed frame?

1. Please prepare 2 pcs of brackets.
2. Attach the bracket to your bed frame first.
3. Fix our headboard to the bracket later.

And the headboard connecting with bed frame is completed.

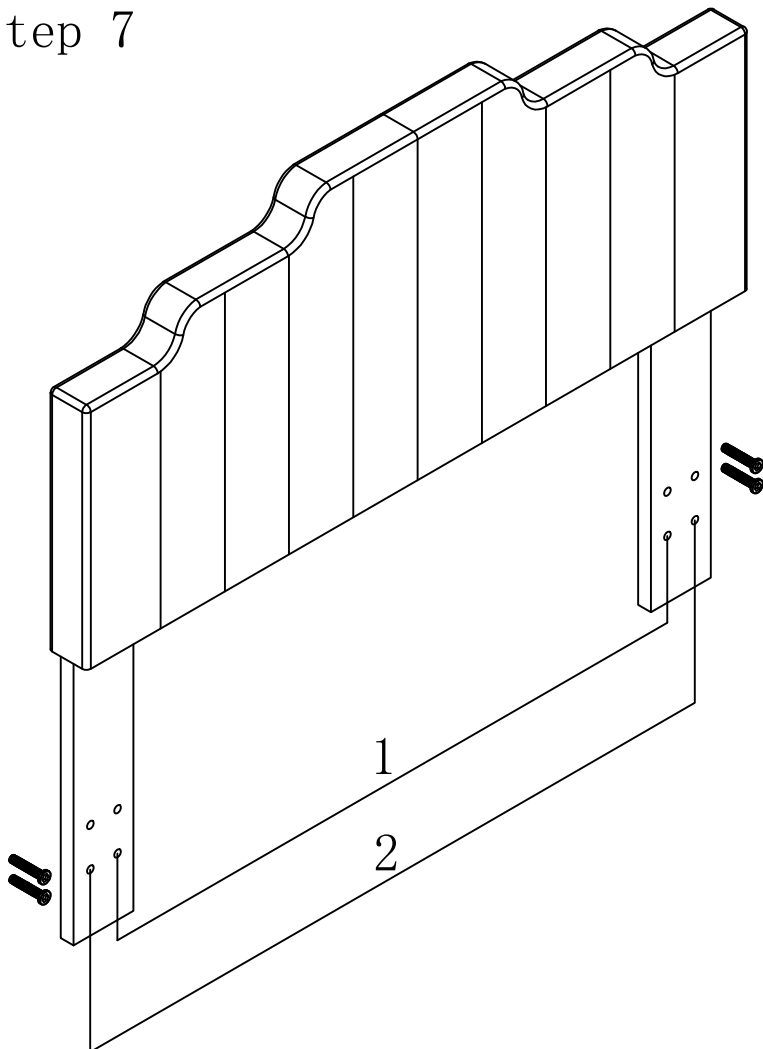
Step 6



Headboard- Queen/Full
Option 1. Inside 4 bolt
holes are for connecting
with Full size bed
frame.

Option 2. Outside 4 bolt
holes are for connecting
with Queen size bed
frame.

Step 7



Headboard-King/California
King

Option 1. Inside 4 bolt
holes are for connecting
with California King
size bed frame

Option 2. Outside 4 bolt
holes are for connecting
with King size bed
frame.