

ASSEMBLY INSTRUCTIONS
COASTER FINE FURNITURE



Fine Furniture for every stage of life

115531 (B1&B2)
Dining Table

ITEM: 115531 (B1 & B2)



ASSEMBLY INSTRUCTIONS

ASSEMBLY TIPS:

1. Remove hardware from box and sort by size.
2. Please check to see that all hardware and parts are present prior to start of assembly.
3. Please follow attached instructions in the same sequence as numbered to assure fast & easy assembly.



WARNING!

1. Don't attempt to repair or modify parts that are broken or defective. Please contact the store immediately.
2. This product is for home use only and not intended for commercial establishments.



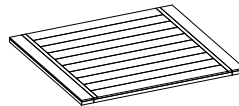
ASSEMBLY TIME

25 MINUTES

PART IDENTIFICATION

B1 (BOX 1)

AN TOP



1PC

CN TRESTLE BAR



1PC

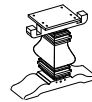
DN LEAF



2PCS

B2 (BOX 2)

BN BASE



2PCS

HARDWARE IDENTIFICATION

Z-B1 (BOX 1) - HARDWARE PACK IS LOCATED IN 115531 (B1)

1	THREADED BOLT (5/16" x 100mm - WHT)		2PCS
2	HALF ROUND NUT (22 x 17 x 10mm - WHT)		2PCS
3	HEX NUT (5/16" x 12 - BLK)		2PCS
4	HEX BOLT (5/16" x 50mm - BLK)		8PCS
5	LOCK WASHER (1.6 x 14mm - BLK)		8PCS
6	FLAT WASHER (1 x 18mm - BLK)		8PCS
7	WRENCH (M12 - RBW)		1PC
8	WOOD DOWEL (10 x 40mm - BRW)		4PCS

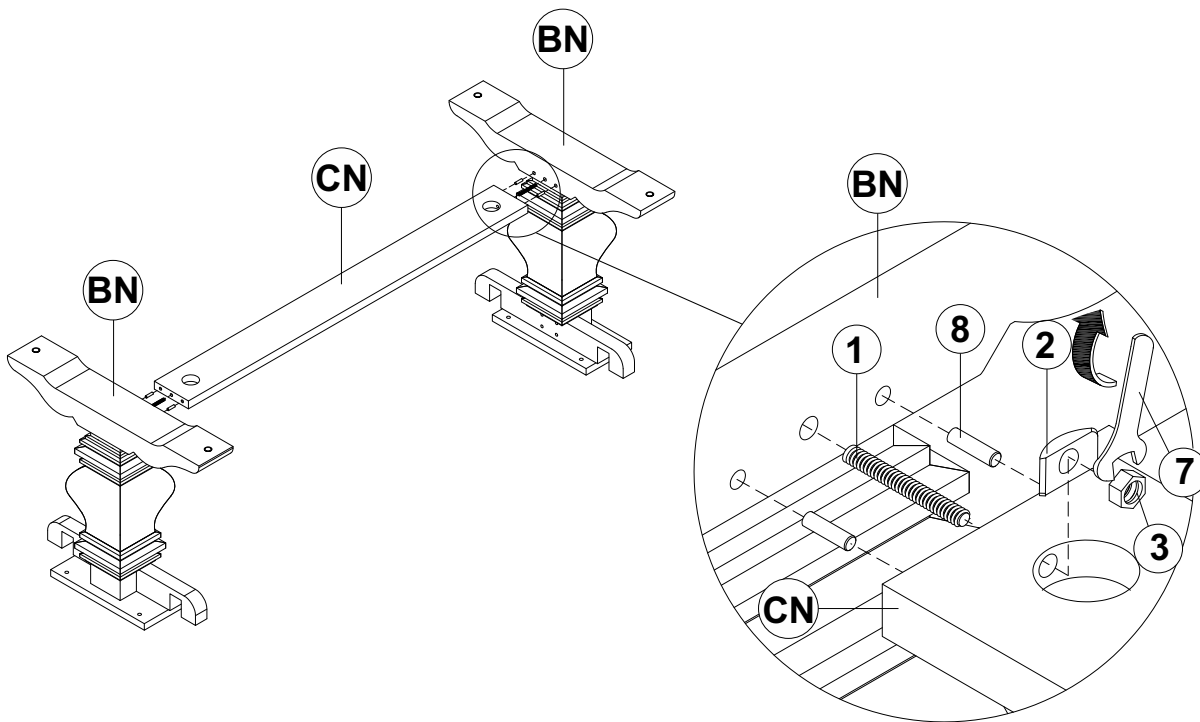
NOTE:

Phillips head screw driver is required in the assembly process; however, manufacturer does not provide this item.

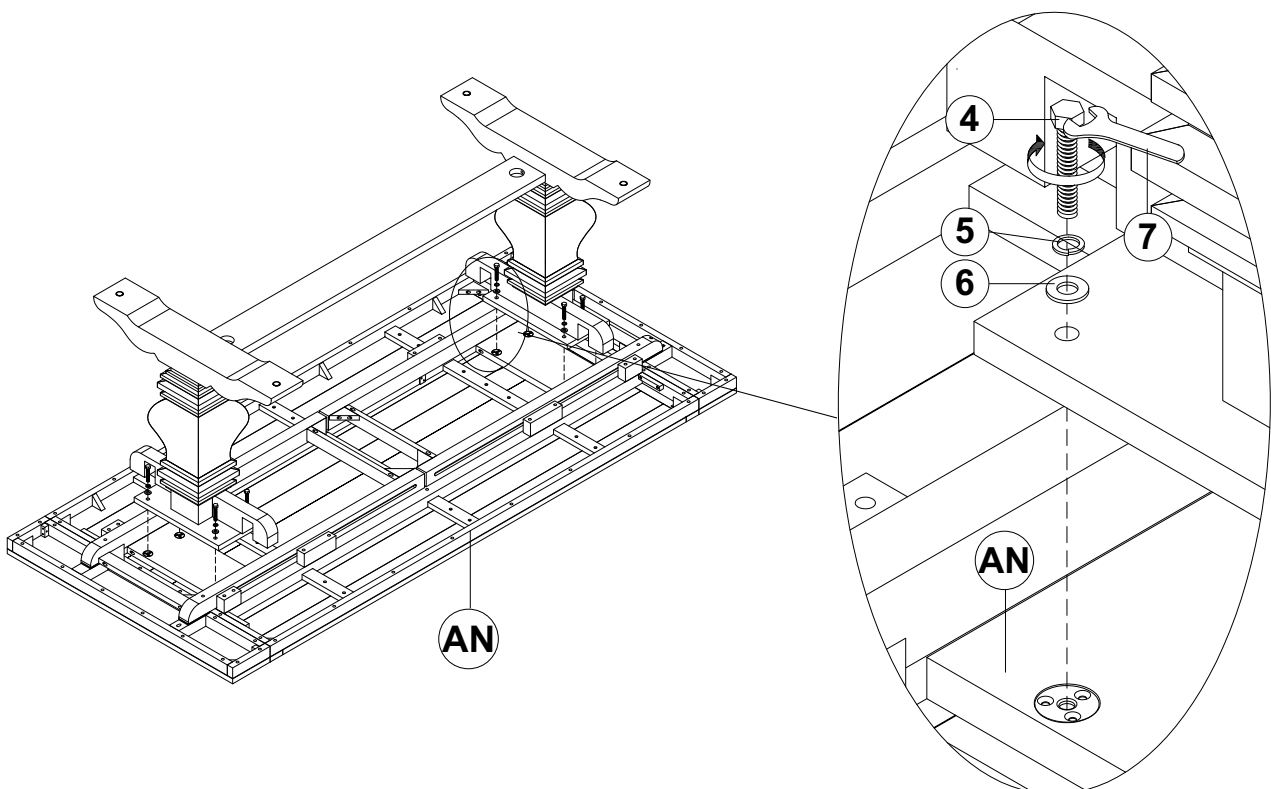
ITEM: 115531(B1&B2)

ASSEMBLY INSTRUCTIONS

STEP 1



STEP 2

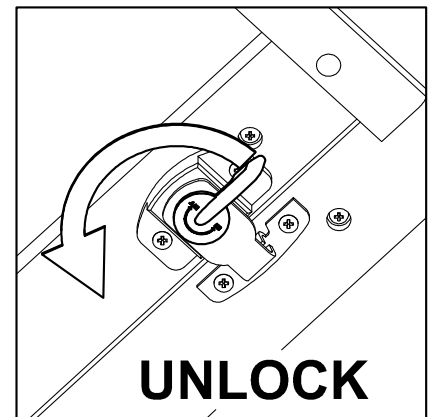
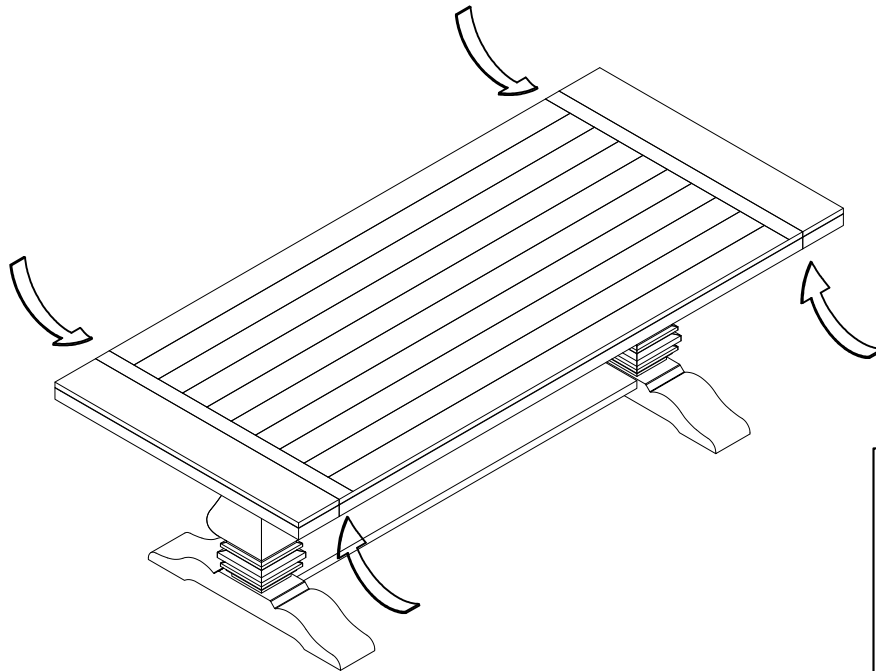


ITEM: **115531(B1&B2)**

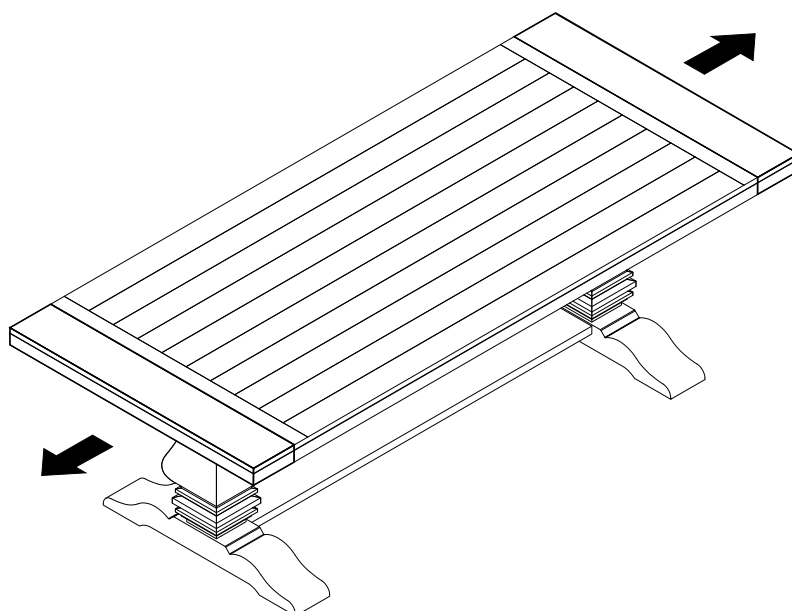
ASSEMBLY INSTRUCTIONS



STEP 3



STEP 4

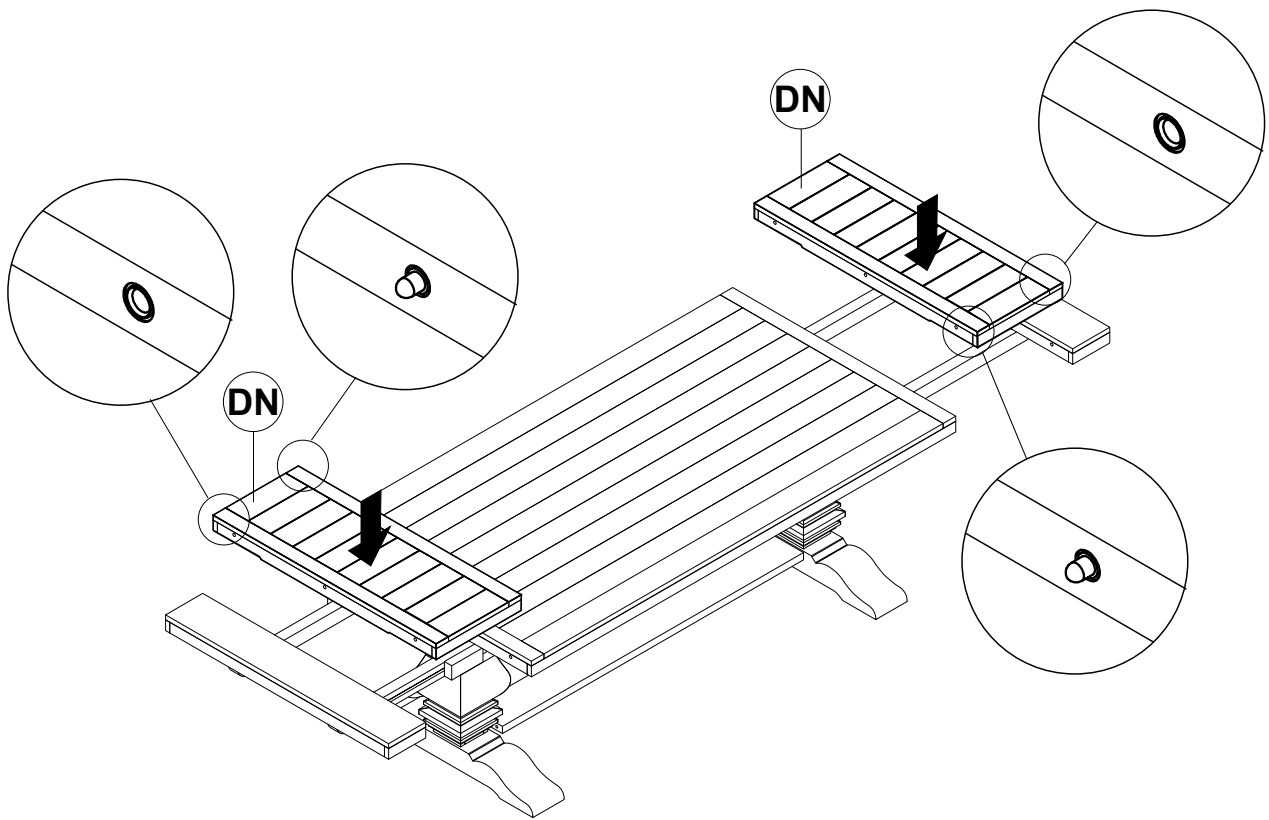


ITEM: 115531(B1&B2)

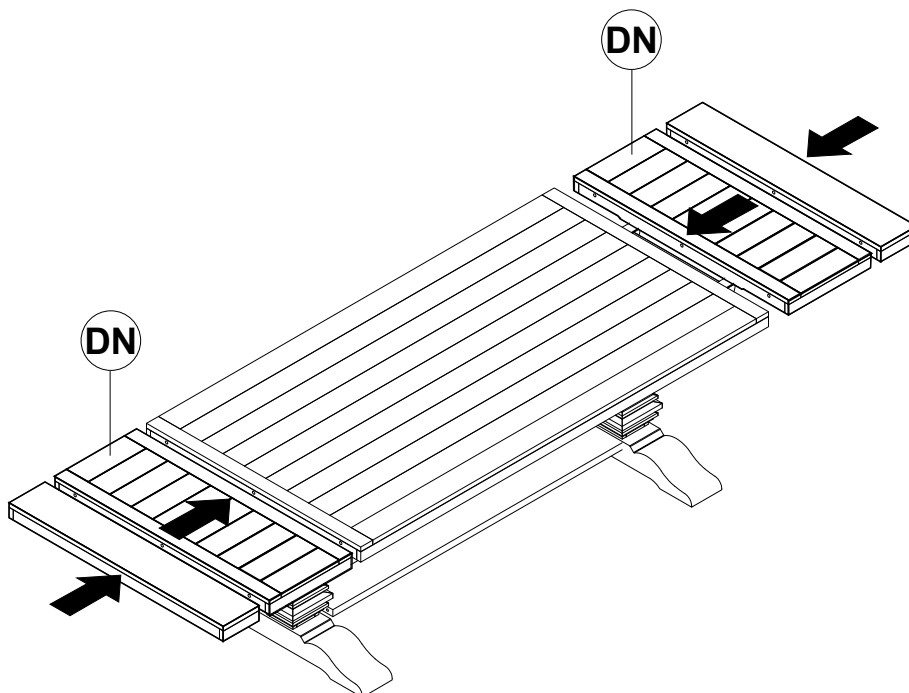
ASSEMBLY INSTRUCTIONS



STEP 5



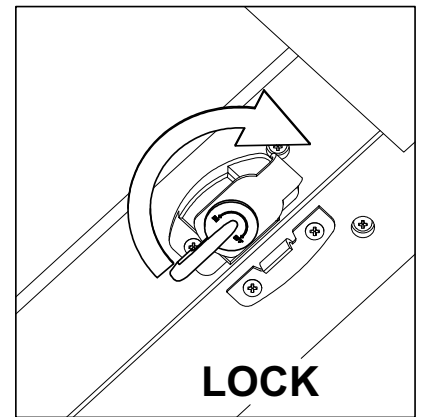
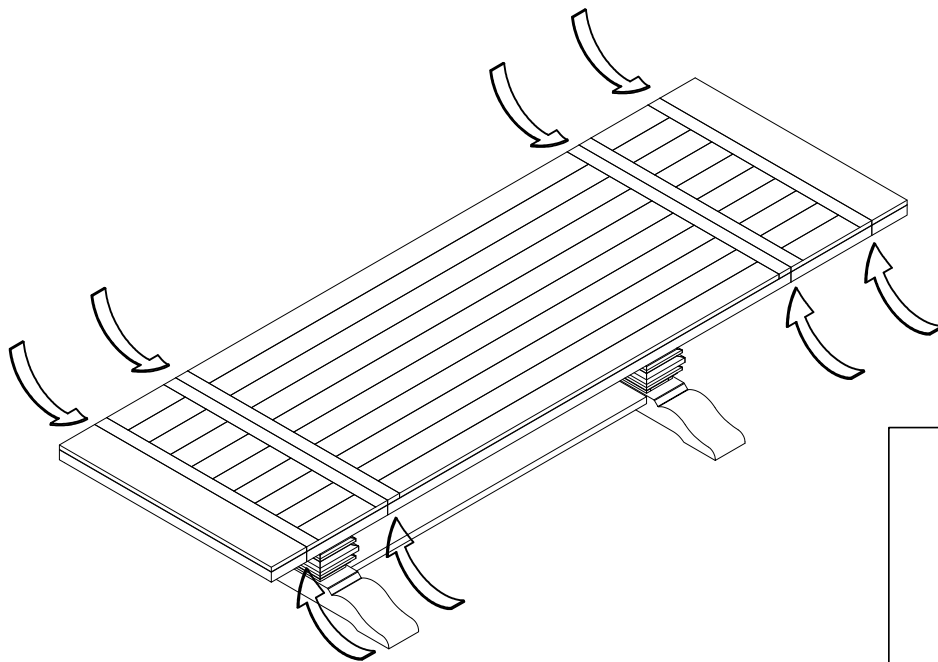
STEP 6



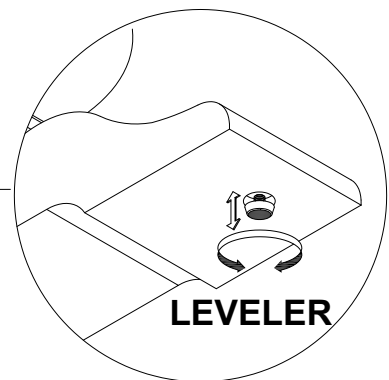
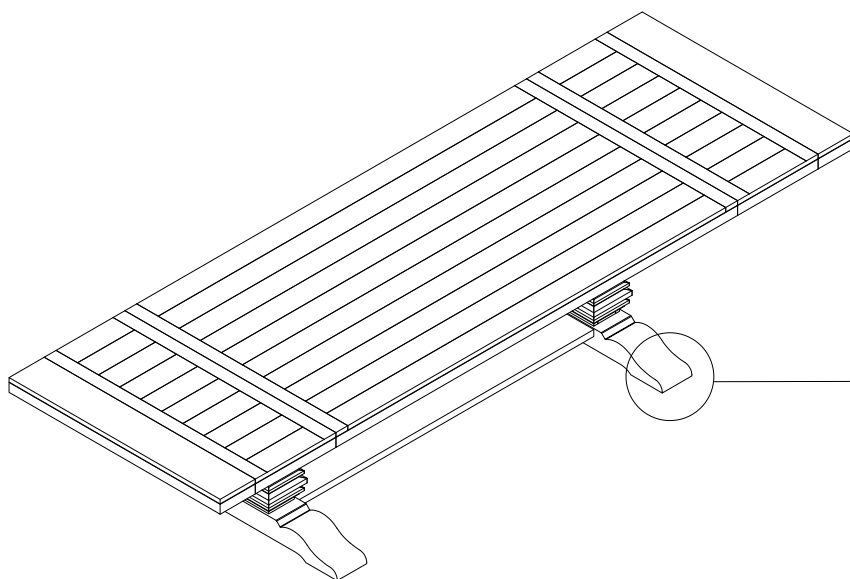
ITEM: **115531(B1&B2)**

ASSEMBLY INSTRUCTIONS

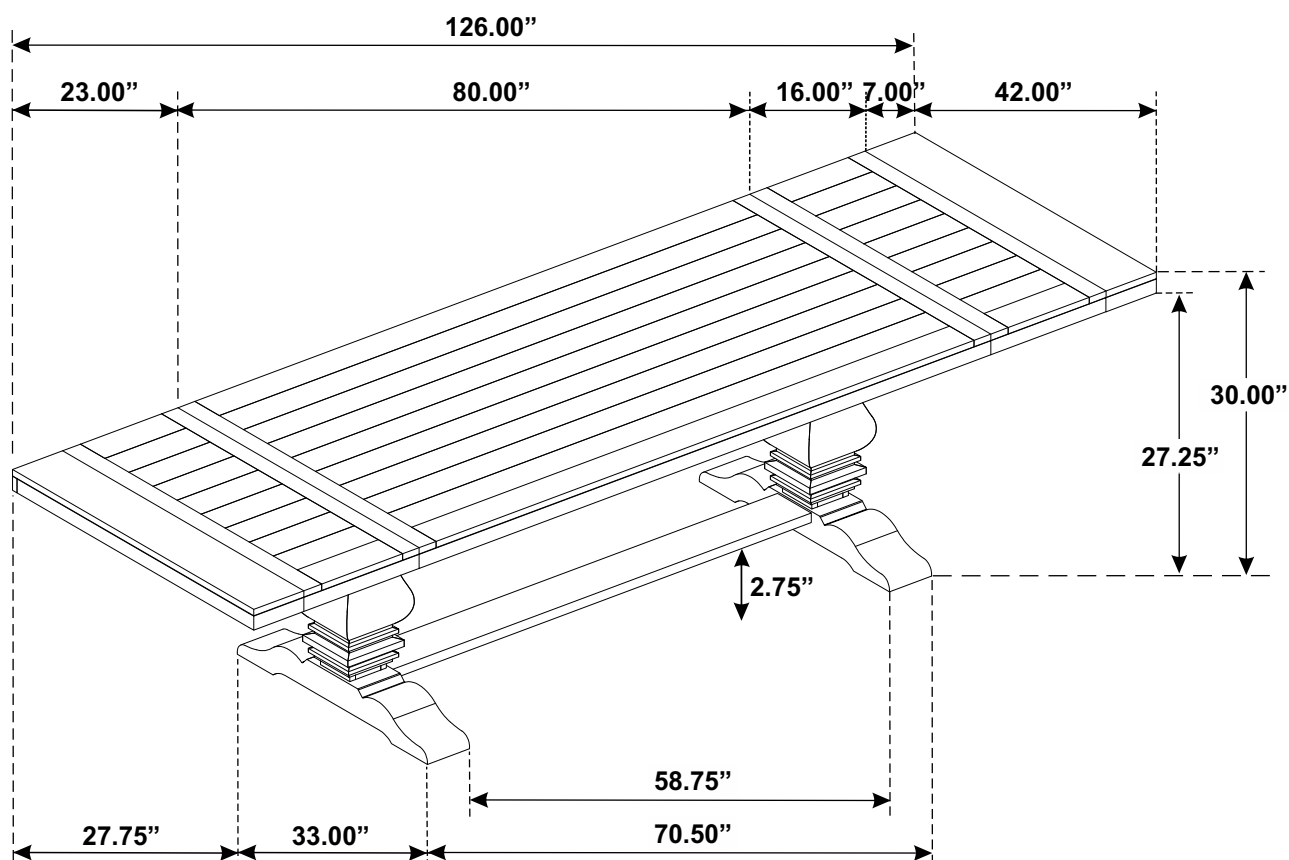
STEP 7



STEP 8
COMPLETE



ITEM: **115531(B1&B2)**



Note: Dimension tolerance $\pm 5\%$

ASSEMBLY INSTRUCTIONS
COASTER FINE FURNITURE



Fine Furniture for every stage of life

115572
Side Chair

ITEM: **115572**

ASSEMBLY INSTRUCTIONS

ASSEMBLY TIPS:

1. Remove hardware from box and sort by size.
2. Please check to see that all hardware and parts are present prior to start of assembly.
3. Please follow attached instruction in the same sequence as numbered to assure fast and easy assembly.



WARNING !




1. Don't attempt to repair or modify parts that are broken or defective. Please contact the store immediately.
2. This product is for home use only and not intended for commercial establishment.








ASSEMBLY TIME

15 MINUTES

PARTS IDENTIFICATION

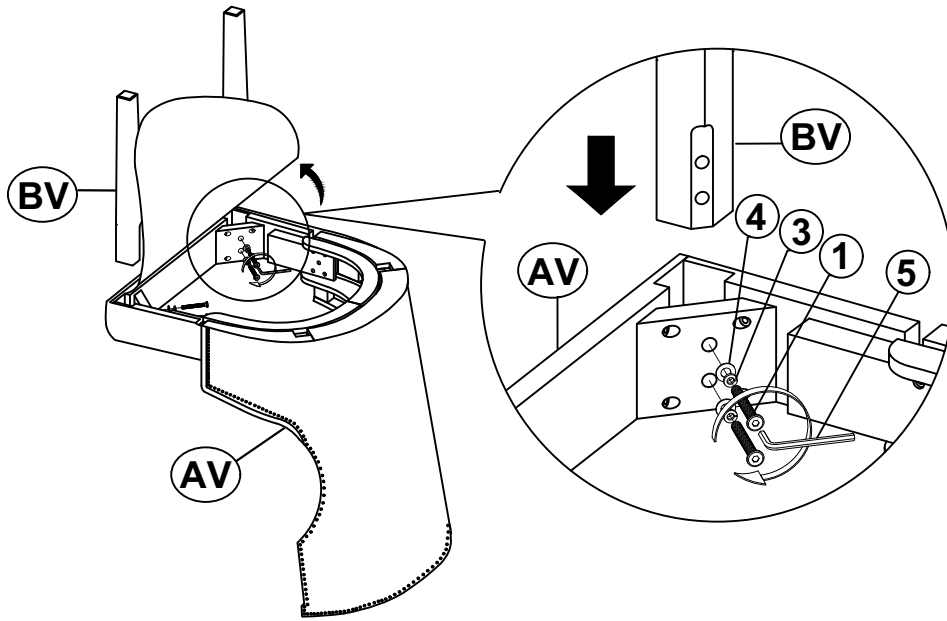
AV	SEAT AND BACK		1PC
BV	FRONT LEG		2PCS
CV	BACK LEG		2PCS

HARDWARE IDENTIFICATION

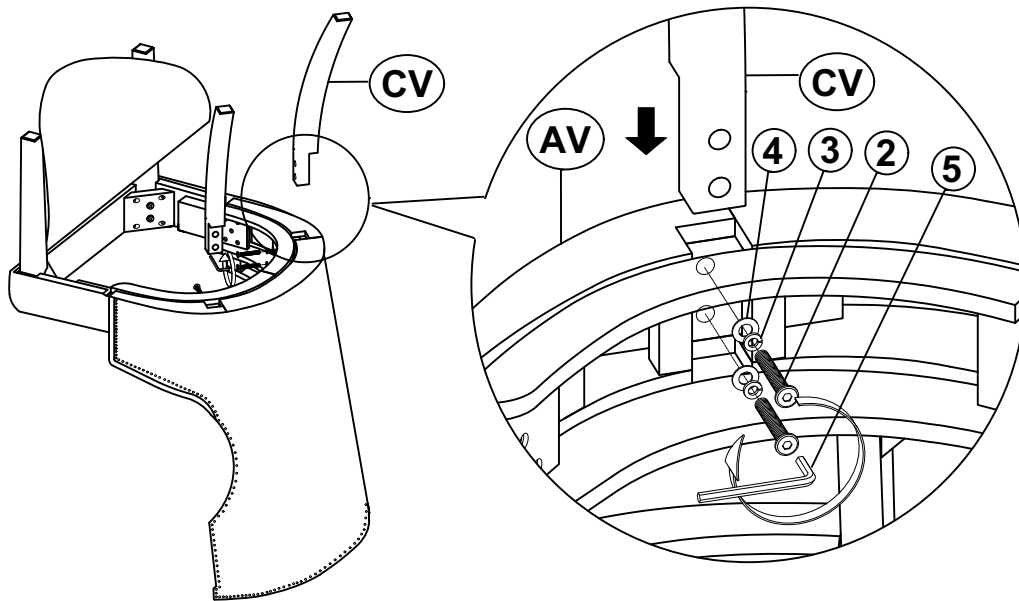
1	LONG BOLT (\varnothing 5/16 x 60mm - BLK)		4PCS
2	SHORT BOLT (\varnothing 5/16 x 50mm - BLK)		4PCS
3	LOCK WASHER (\varnothing 5/16 - BLK)		8PCS
4	FLAT WASHER (\varnothing 5/16 - BLK)		8PCS
5	ALLEN WRENCH (M4 - BLK)		1PC

ITEM: **115572**
ASSEMBLY INSTRUCTIONS

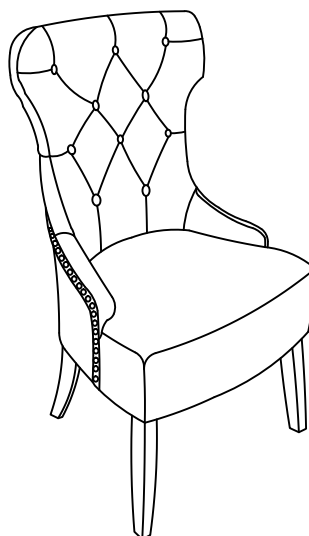
STEP 1



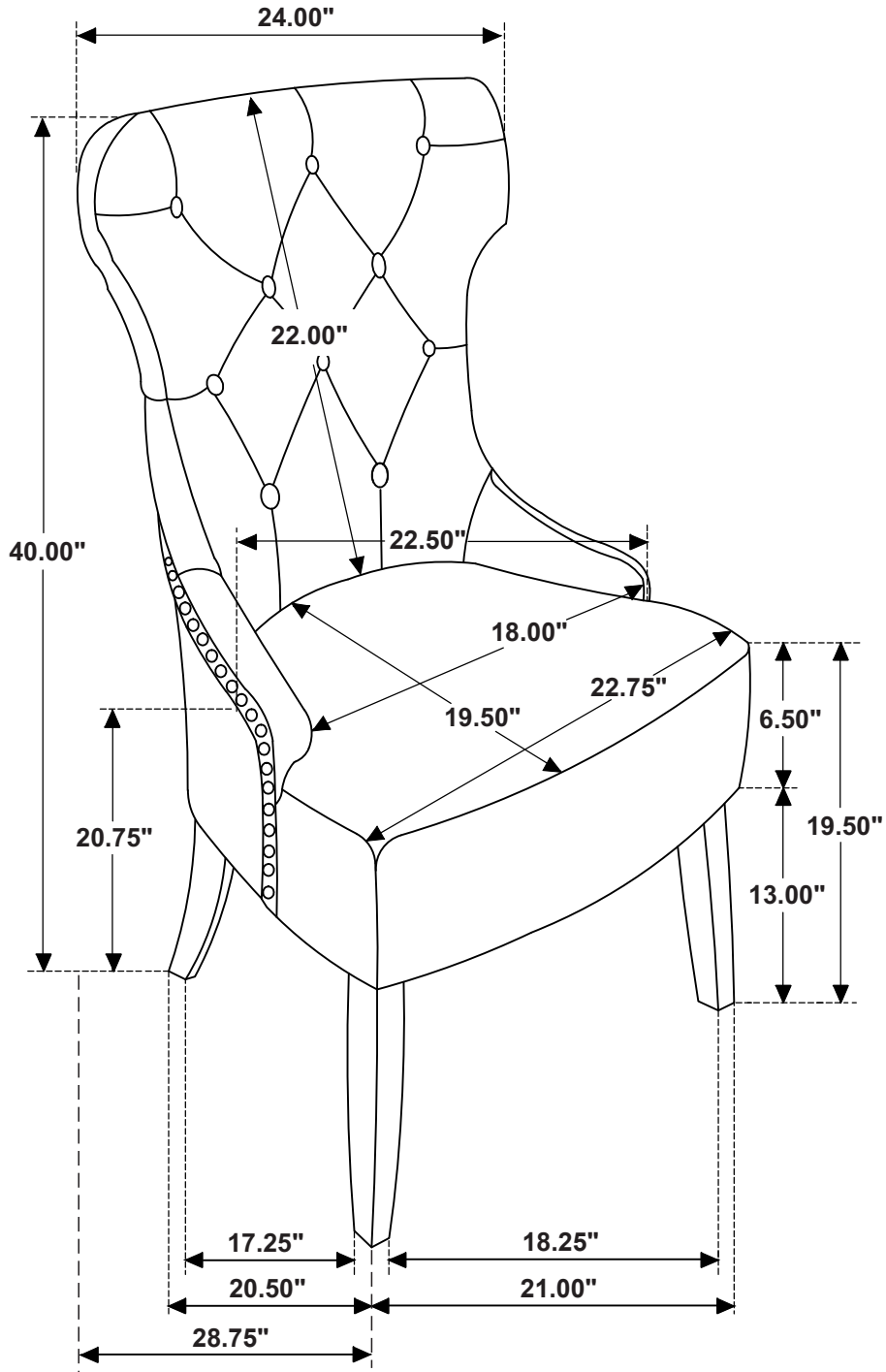
STEP 2



STEP 3
COMPLETE



ITEM: 115572



Note : Dimension tolerance $\pm 5\%$