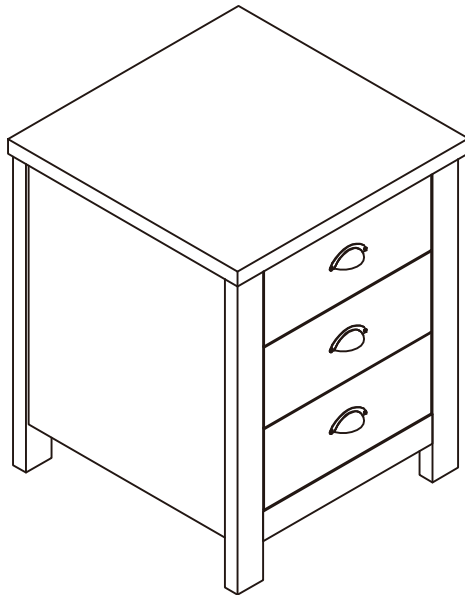


Instruction manual
3 DRAWER BEDSIDE



CONTENTS

| | |
|------------------------|-----------|
| Safety and care advice | 1 |
| Components – panels | 2 |
| Assembly instructions | 5 |
| Copyright | 11 |



SAFETY AND CARE ADVICE



PLEASE READ THESE INSTRUCTIONS CAREFULLY AND KEEP FOR FUTURE REFERENCE

Warning: Please lift with care.

- Check you have all the components and tools listed on pages 2 and 3.
- Remove all fittings from the plastic bags and separate them into their groups.
- Keep children and animals away from the work area, small parts could choke if swallowed.
- Make sure you have enough space to layout the parts before starting.
- Do not stand or put weight on the product, this could cause damage.
- Assemble the item as close to its final position (in the same room) as possible.
- Assemble on a soft level surface to avoid damaging the unit or your floor (use opened out unit carton).



·We do not recommend the use of power drill/drivers **for inserting screws**, as this could damage the unit. Only use hand screwdrivers.

·**Safety note:** If there is any chance of this unit being pulled over by children etc. it is recommended that the unit is secured to a wall using suitable fixings .

·Dispose of all packaging carefully and responsibly.

CARE AND MAINTENANCE

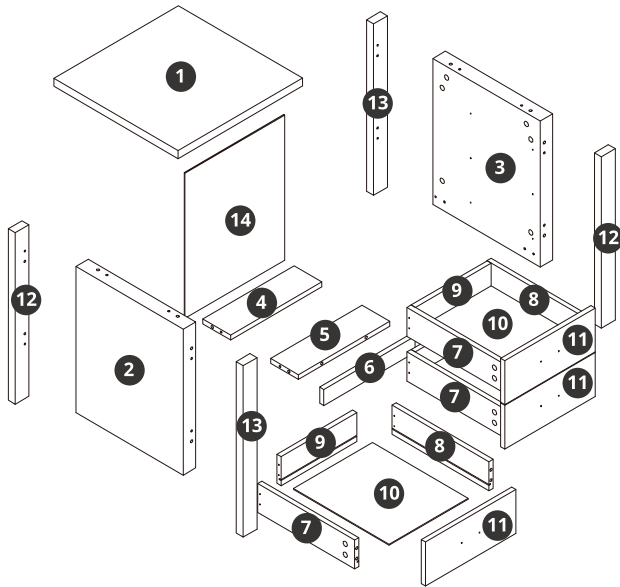
- Only clean using a damp cloth and mild detergent, do not use bleach or abrasive cleaners.
- From time to time check that there are no loose screws on this unit.

·This product should not be discarded with household waste. Take to your local authority waste disposal center.

Note: *If required the next page can be cut out and used as reference throughout the assembly. Keep this page with these instructions for future reference*

COMPONENTS

Ensure the following components are in the box before proceeding with assembly:



PANEL LIST

| | | | | | |
|---|------------------------|----|----|-------------------------|----|
| 1 | Top Panel | x1 | 8 | Drawer Right Side Panel | x3 |
| 2 | Left Side Panel | x1 | 9 | Drawer Back Panel | x3 |
| 3 | Right Side Panel | x1 | 10 | Drawer Base Panel | x3 |
| 4 | Bottom Panel | x1 | 11 | Drawer Front Panel | x3 |
| 5 | Bottom Panel | x1 | 12 | Side Frame | x2 |
| 6 | Cross Bar | x1 | 13 | Side Frame | x2 |
| 7 | Drawer Left Side Panel | x3 | 14 | Back Panel | x1 |



COMPONENTS — FITTINGS

Please check you have all the fittings listed below:

A x24



Peg M6*35mm

H x4



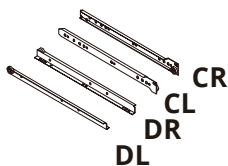
Plastic Feet

B x24



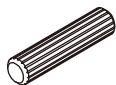
Lock M15*9.5mm

CR CL DR DL x3



Drawer Runner

C x22



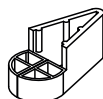
Dowel M8*30mm

D x3



Handles

I x1



Pin Holder Tool

E x12



Screw M4*40mm

F x30



Screw M3.5*12mm

G x12

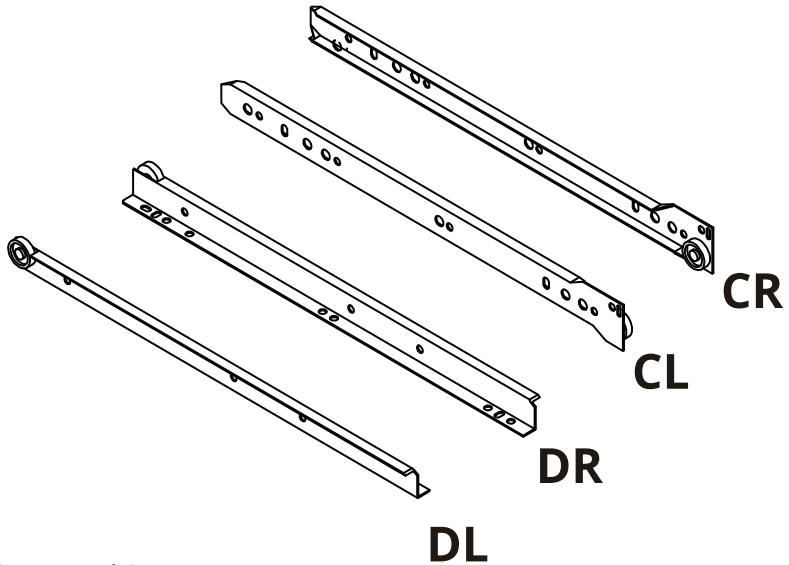


Pin

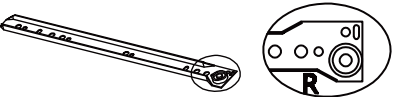
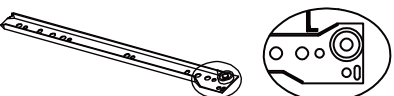

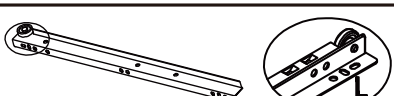


DRAWER RUNNER INSTRUCTION

△ IMPORTANT - Please Read it Carefully
1 Pair Drawer runner includes 4 pieces.

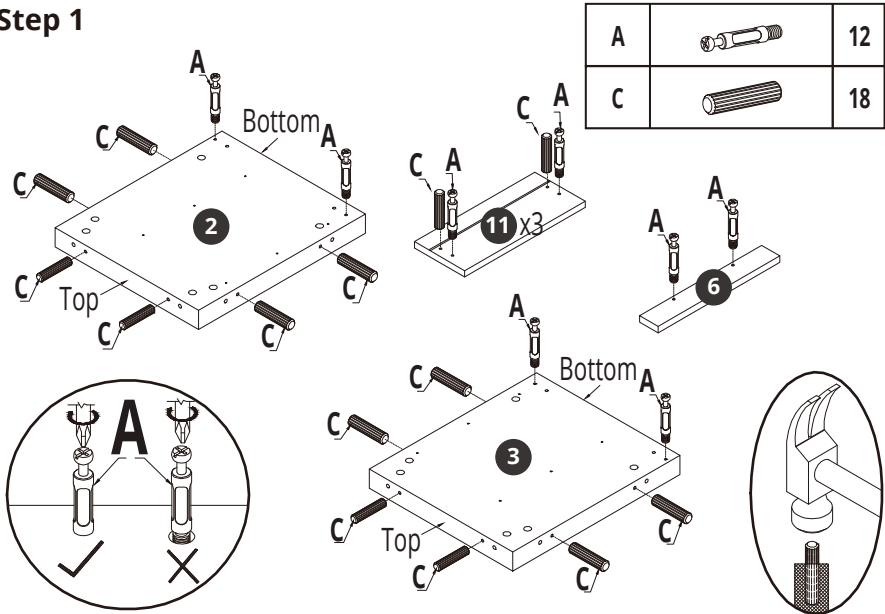


Fittings (not to scale)

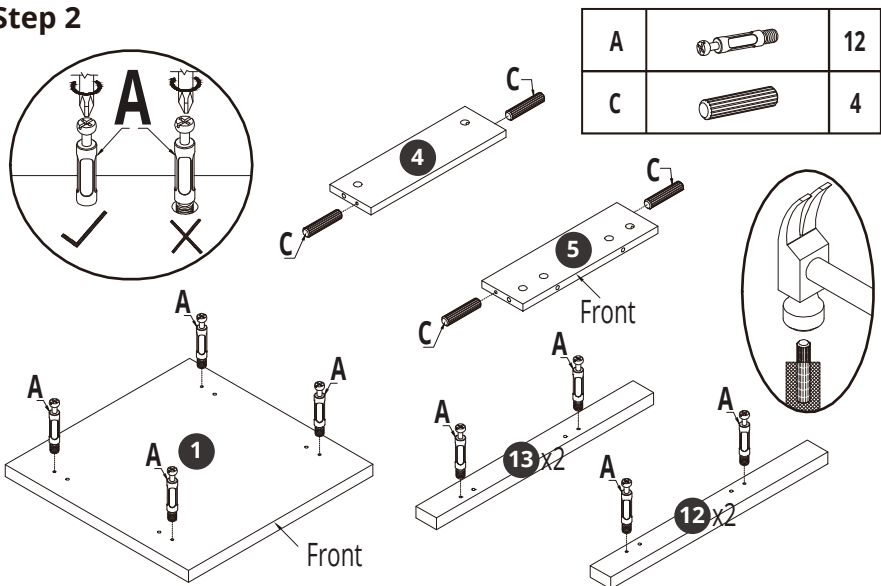
| No. | Description | Qty | |
|-----------|-----------------------------|-----|---|
| CR | Outer Drawer Runner - Right | 3 |  |
| CL | Outer Drawer Runner - Left | 3 |  |
| DR | Inner Drawer Runner - Right | 3 |  |
| DL | Inner Drawer Runner - Left | 3 |  |

ASSEMBLY INSTRUCTIONS

Step 1

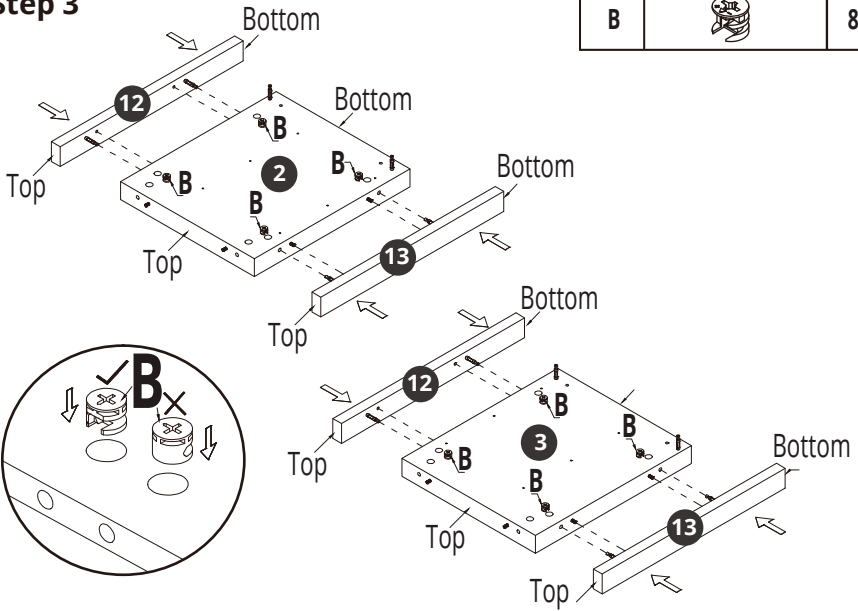


Step 2



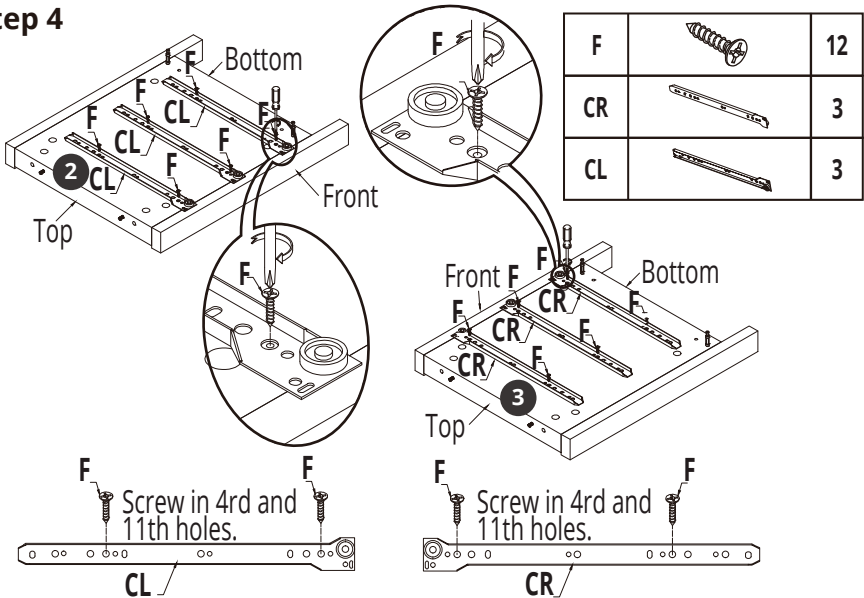
ASSEMBLY INSTRUCTIONS




Step 3



| | | |
|---|---|---|
| B |  | 8 |
|---|---|---|

Step 4

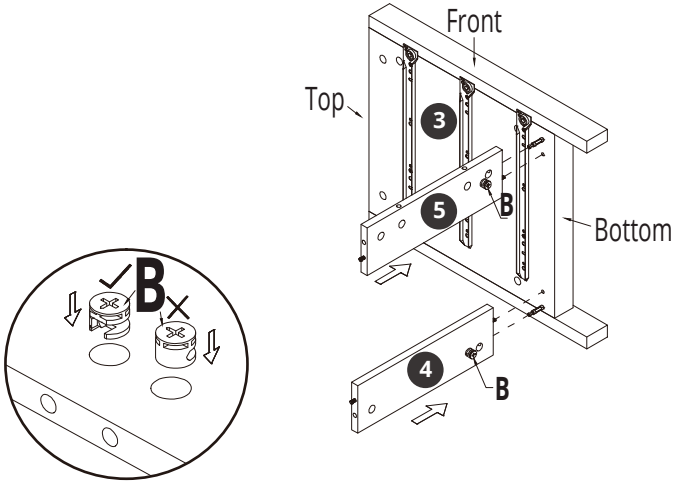


| | | |
|----|---|----|
| F |  | 12 |
| CR |  | 3 |
| CL |  | 3 |

ASSEMBLY INSTRUCTIONS

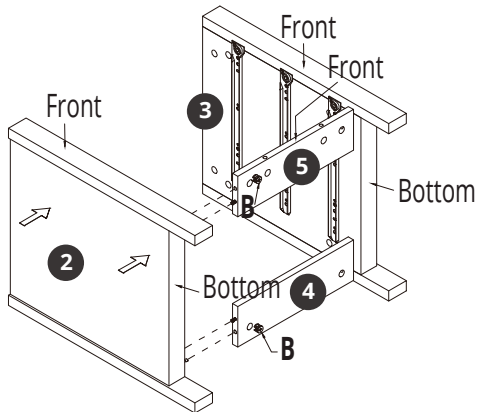
Step 5

| | | |
|---|---|---|
| B |  | 2 |
|---|---|---|



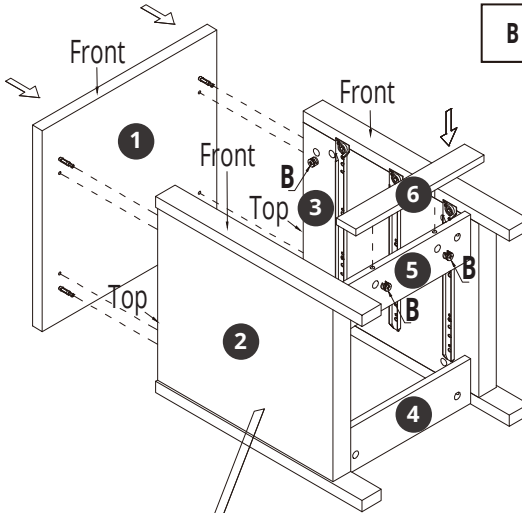
Step 6

| | | |
|---|---|---|
| B |  | 2 |
|---|---|---|

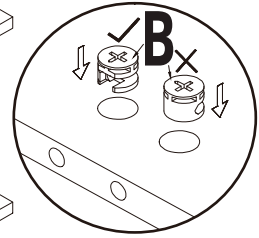


ASSEMBLY INSTRUCTIONS

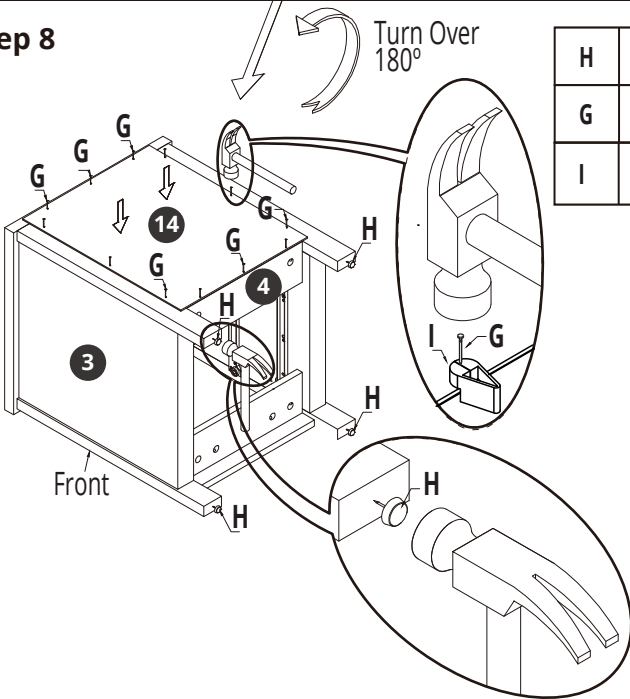
Step 7






| | | |
|---|---|---|
| B |  | 6 |
|---|---|---|



Step 8

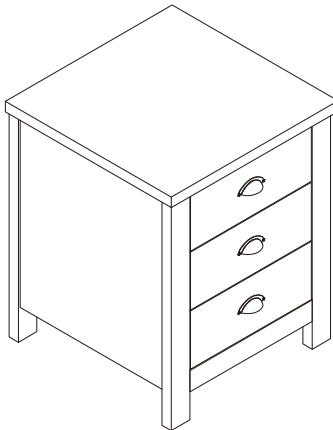
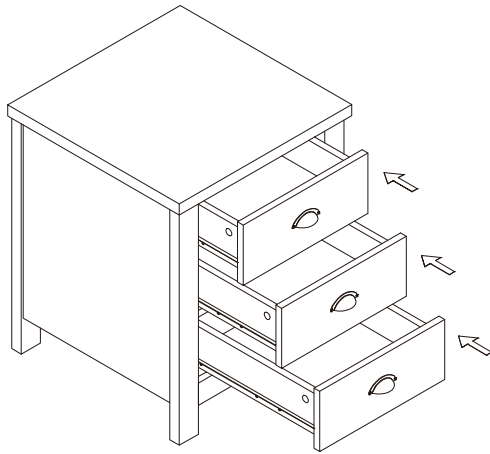


Turn Over
180°

| | | |
|---|---|----|
| H |  | 4 |
| G |  | 12 |
| I |  | 1 |

ASSEMBLY INSTRUCTIONS

Step 11



Congratulations! Now you have finished assembling the product.

IF YOU FIND A DEFECTIVE PART

We fully stock all parts and components. Any defective part can be quickly replaced. Take note of the defective part number in manual and we will arrange a quick replacement.

COPYRIGHT

All material in this instruction manual is copyrighted

Any unauthorised use may violate worldwide copyright, trademark and other laws.