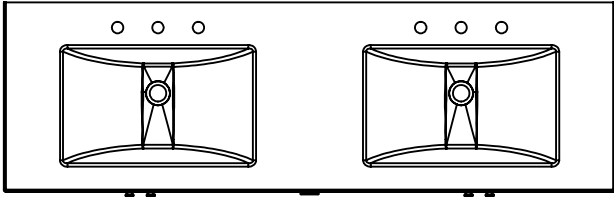
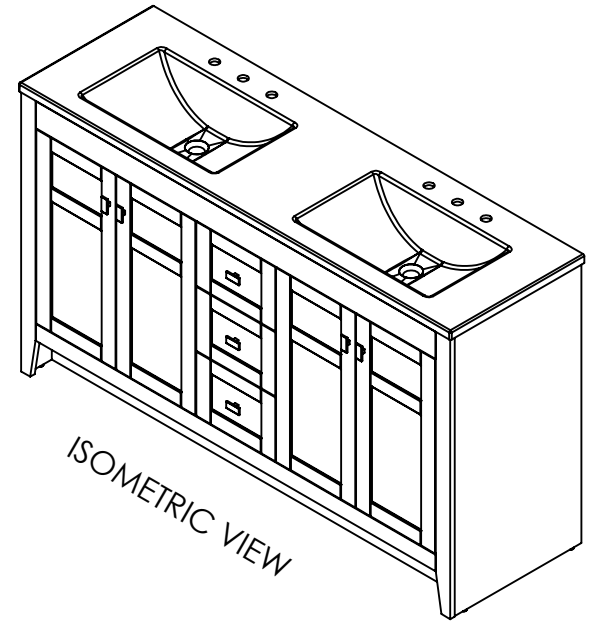


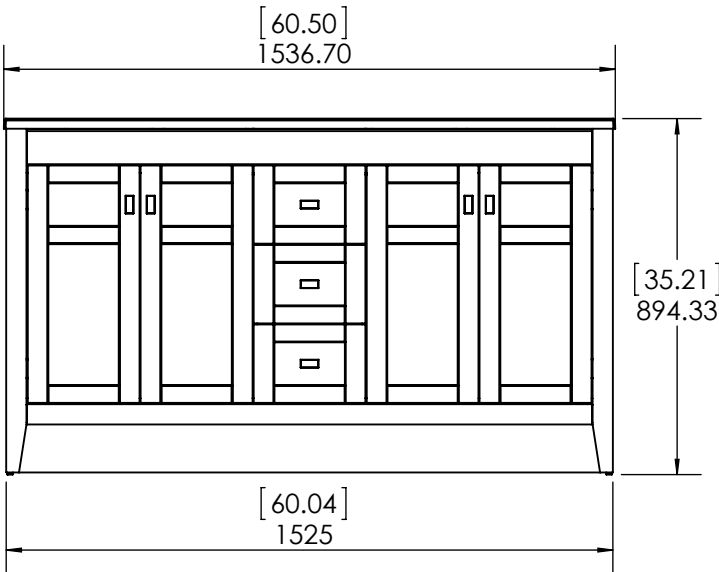
ONLY FOR REFERENCE



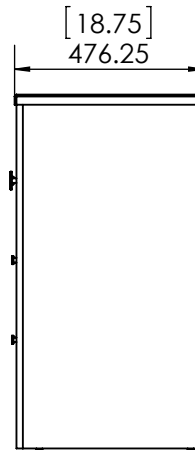
TOP VIEW



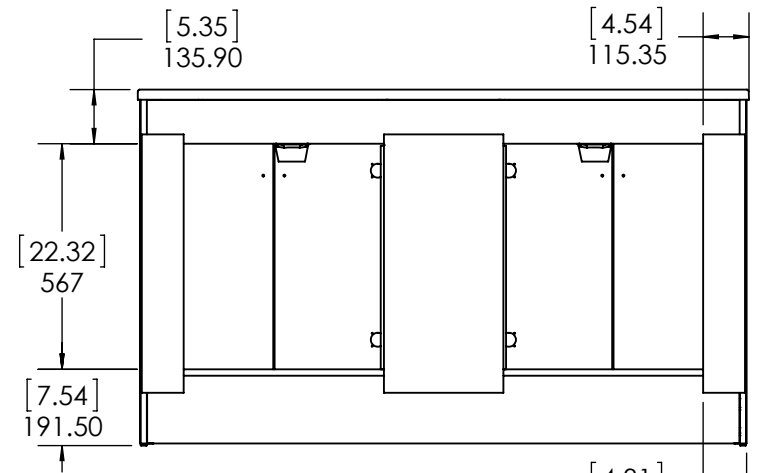
ISOMETRIC VIEW



FRONT VIEW



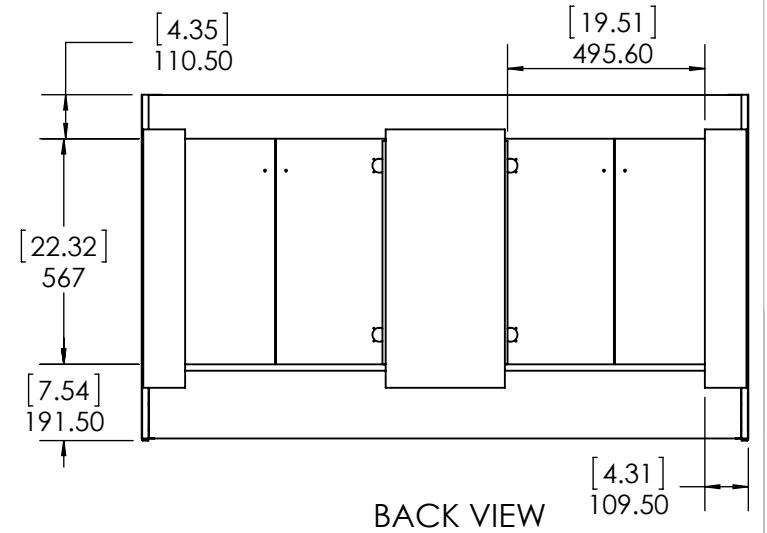
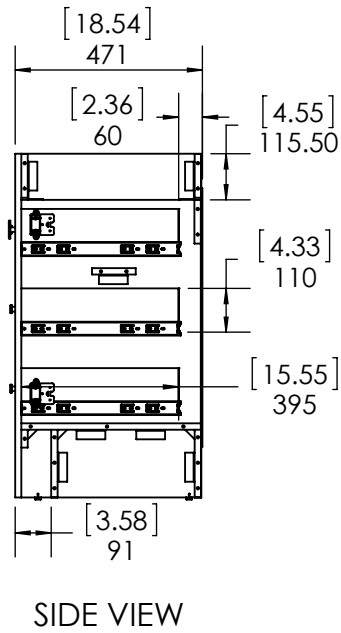
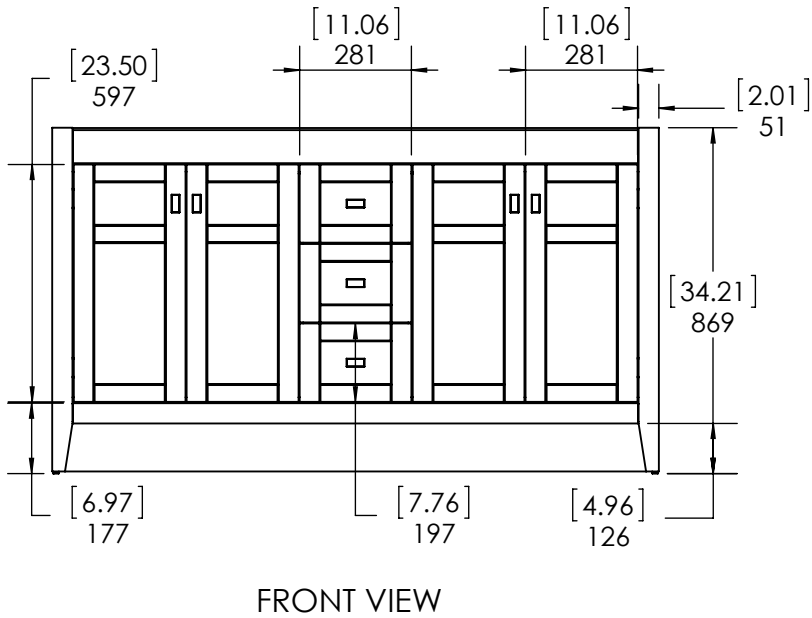
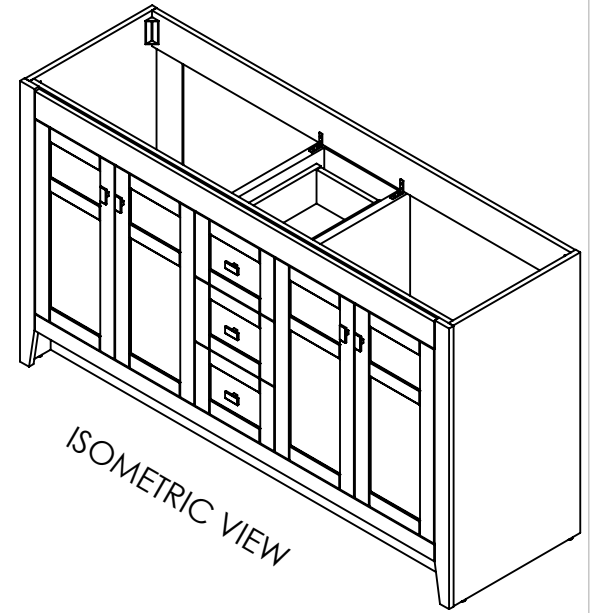
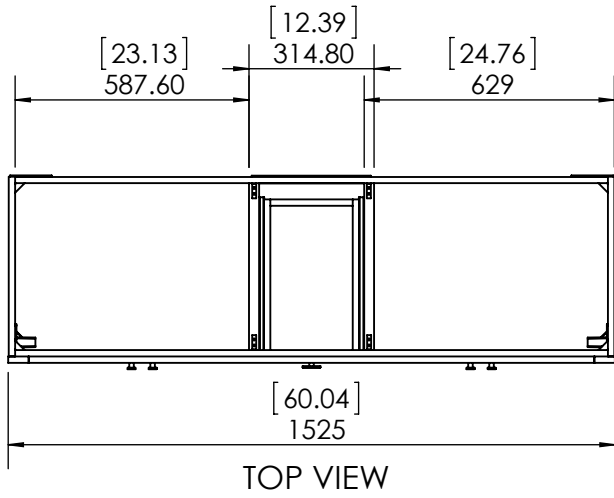
SIDE VIEW



BACK VIEW

ITEM:			REV
			B
NAME:			
MATERIAL:			----
DWR	GUMV	03/21/24	
REV	ING		
APR	R&D		

ONLY FOR REFERENCE

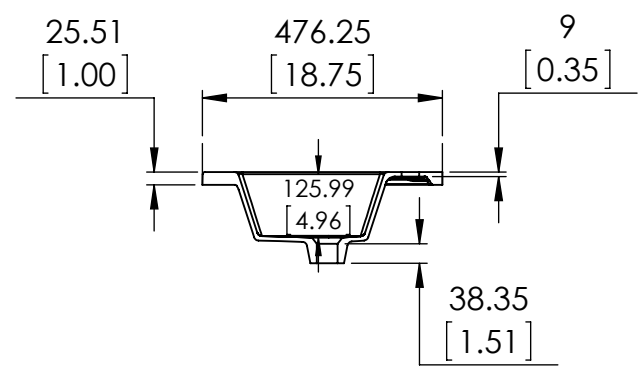
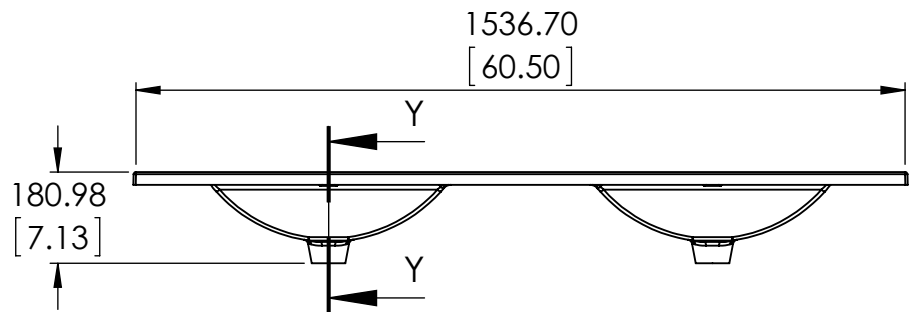
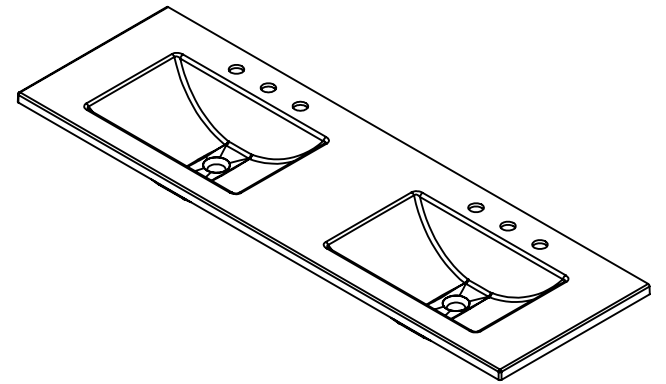
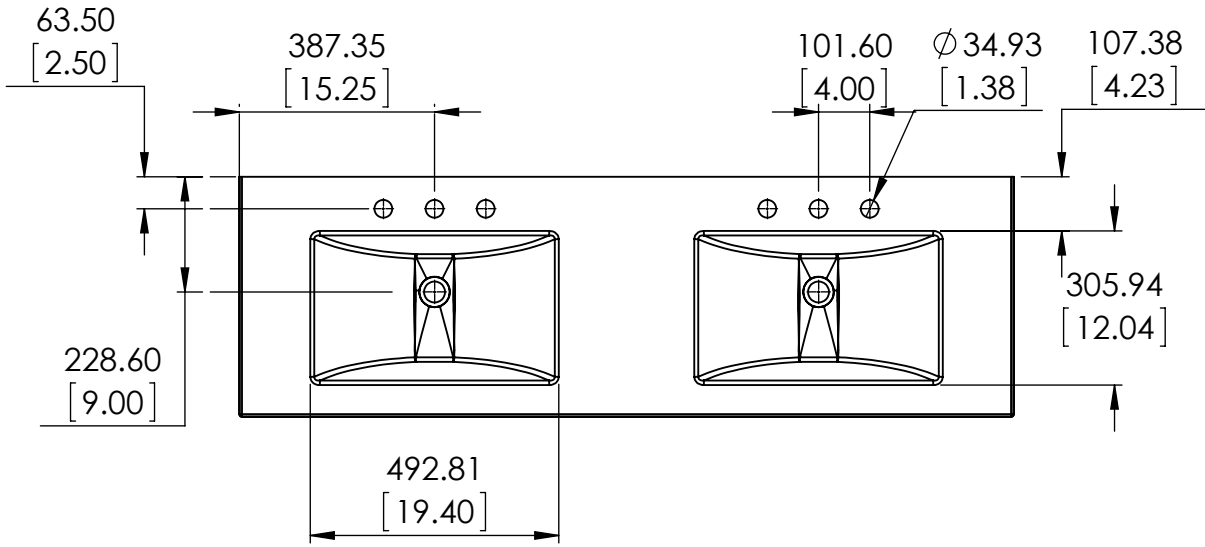


DWR	GUMV	03/21/24
REV	ING	
APR	R&D	

ITEM:	REV
	B
NAME:	
MATERIAL:	----

I		ITEM DESCRIPTION	DRAWING STATUS
		Top, Alpine 60.50x18.75in Double Bowl 8in	R&D

REV	DESCRIPTION	DATE	APPROVAL
0	RELEASED	05/09/23	E. SANDOVAL



PROPRIETARY AND CONFIDENTIAL
 THE INFORMATION CONTAINED IN THIS DRAWING IS THE SOLE PROPERTY OF WOODCRAFTERS. ANY REPRODUCTION IN PART OR AS A WHOLE WITHOUT THE WRITTEN PERMISSION OF WOODCRAFTERS IS PROHIBITED.

	NAME	DATE
DRAWN	G. REYES	4/11/23
CHECKED	O. RAZO	4/11/23
ENG APPR.	J. GUZMAN	4/11/23
MFG APPR.	V. SANCHEZ	4/11/23

SIZE	DWG. NO.	SHEET 1 OF 1
A		FG