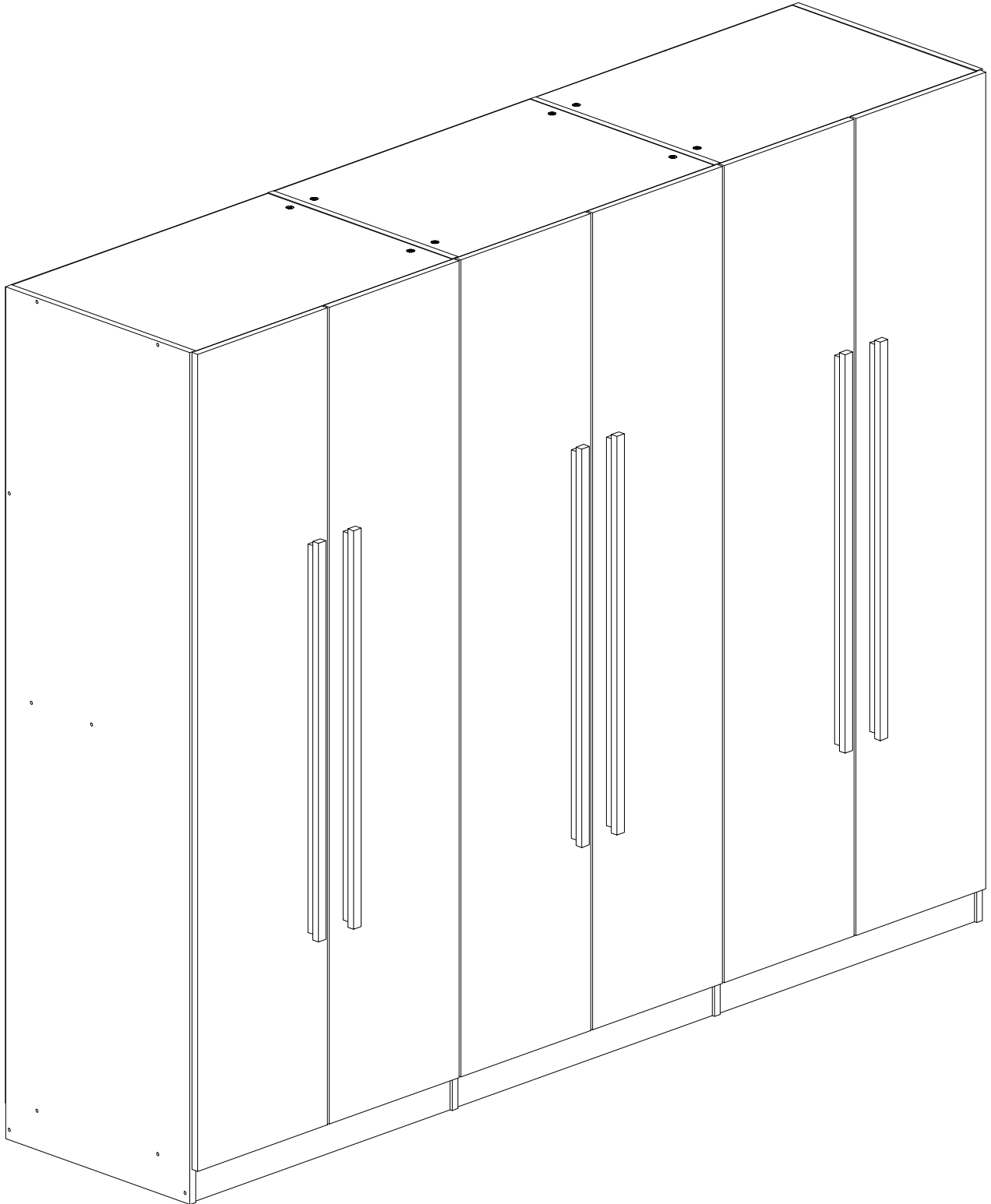
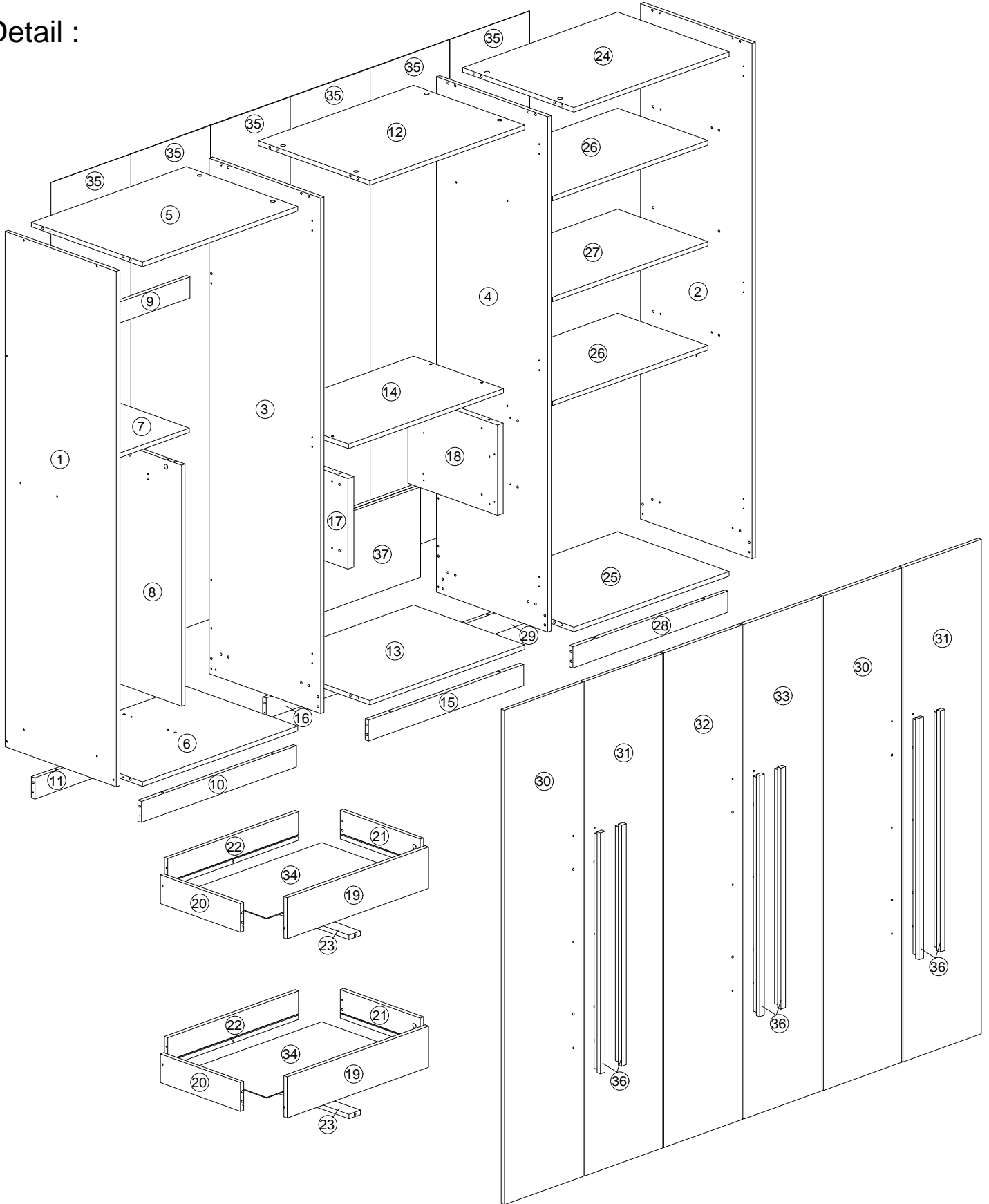


Assembly Instruction



Assembly Instruction

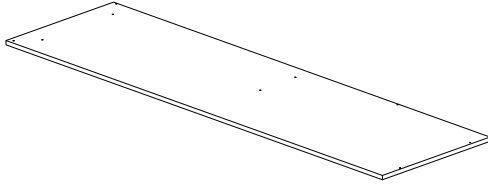
Detail :



Assembly Instruction

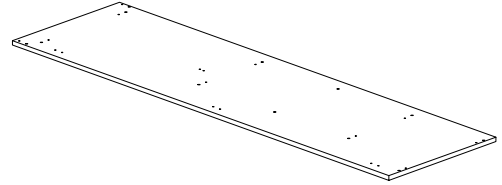
Part List

① X 1



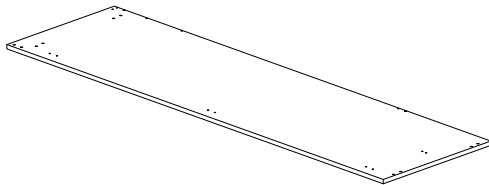
Side Panel Left

② X 1



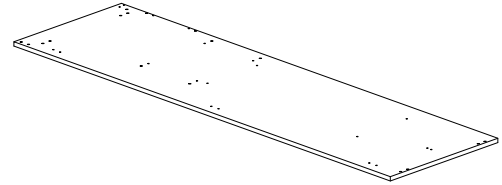
Side Panel Right

③ X 1



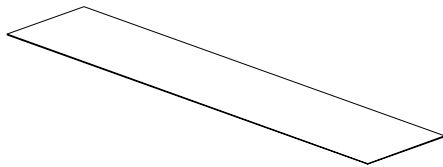
Center Panel Left

④ X 1



Center Panel Right

③⑤ X 6

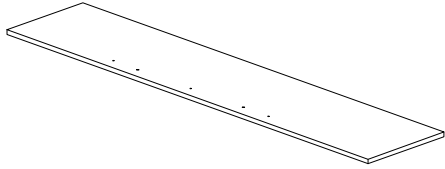


Back Panel

Assembly Instruction

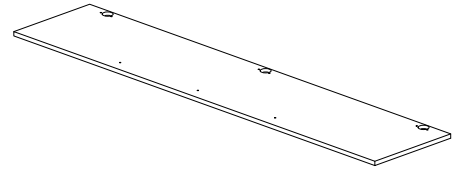
Part List

③⑩ X 2



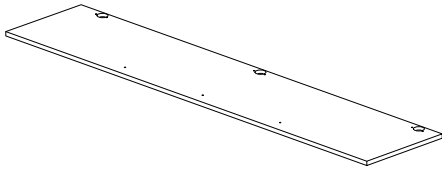
Door Panel Left

③⑪ X 2



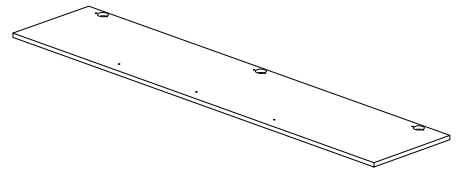
Door Panel Right

③⑫ X 1



Door Center Panel Left

③⑬ X 1

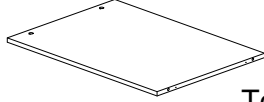


Door Center Panel Right

Assembly Instruction

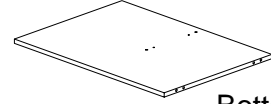
Part List

⑤ X 1



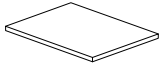
Top Panel - Left

⑥ X 1



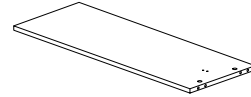
Bottom Panel - Left

⑦ X 1



Top Panel Small - Left

⑧ X 1



Center Panel - Left

⑨ X 1



Support Panel - Left

⑩ X 1



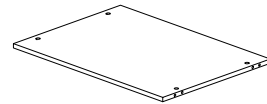
Bottom Support Panel Front - Left

⑪ X 1



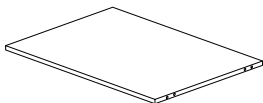
Bottom Support Panel Back - Left

⑫ X 1



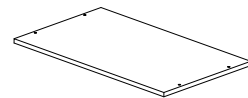
Top Panel - Center

⑬ X 1



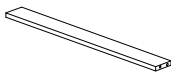
Bottom Panel - Center

⑭ X 1



Partition Panel - Center

⑮ X 1



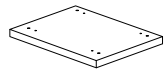
Bottom Support Panel Front - Center

⑯ X 1



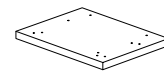
Bottom Support Panel Back - Center

⑰ X 1



Side Support Panel Left - Center

⑱ X 1



Side Support Panel Right - Center

⑲ X 2



Drawer Front - Center

⑳ X 2



Drawer Side Panel Left - Center

㉑ X 2



Drawer Side Panel Right - Center

㉒ X 2



Drawer Back Panel - Center

Assembly Instruction

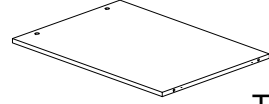
Part List

②③ X 2



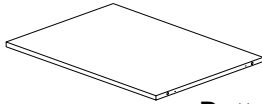
Drawer Support Panel - Center

②④ X 1



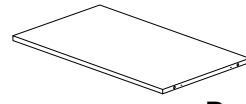
Top Panel - Right

②⑤ X 1



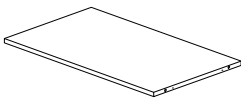
Bottom Panel - Right

②⑥ X 2



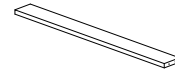
Partition Panel - Right

②⑦ X 1



Partition Hole Panel - Right

②⑧ X 1



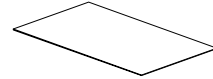
Bottom Support Panel Front - Right

②⑨ X 1



Bottom Support Panel Back - Right

③④ X 2



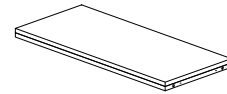
Drawer Bottom Panel - Center

③⑥ X 6



Door Handle Panel

③⑦ X 1




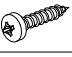


Back Panel Small

Assembly Instruction

Hardware List

| No. | SHAPE | DESCRIPTION | Qty. |
|-----|---|-----------------------|--------|
| A |  | 8x25mm Dowel (Wood) | 96Pcs |
| B |  | Minifix | 28Pcs |
| C |  | 33mm Myfix | 8Pcs |
| D |  | 63mm Myfix | 10Pcs |
| E |  | M3.5x16mm Screw | 160Pcs |
| F |  | M4x45mm Screw | 44Pcs |
| G |  | M3.5x12mm Screw | 12Pcs |
| H |  | V Bracket | 8Pcs |
| I |  | M4x38mm Screw | 26Pcs |
| J |  | Hinges 2/8 | 18Pcs |
| K |  | 5/8 Nail With Pin | 8Pcs |
| L |  | 6/8 Power Pin | 70Pcs |
| M |  | Drawer Slide (350mm) | 2Sets |
| N |  | Aluminium Pipe(356mm) | 1Pc |
| O |  | Aluminium Pipe(673mm) | 3Pcs |
| P |  | L Bracket | 6Pcs |
| Q |  | Sticker | 23Pcs |
| R |  | 8x20mm Dowel (Wood) | 8Pcs |

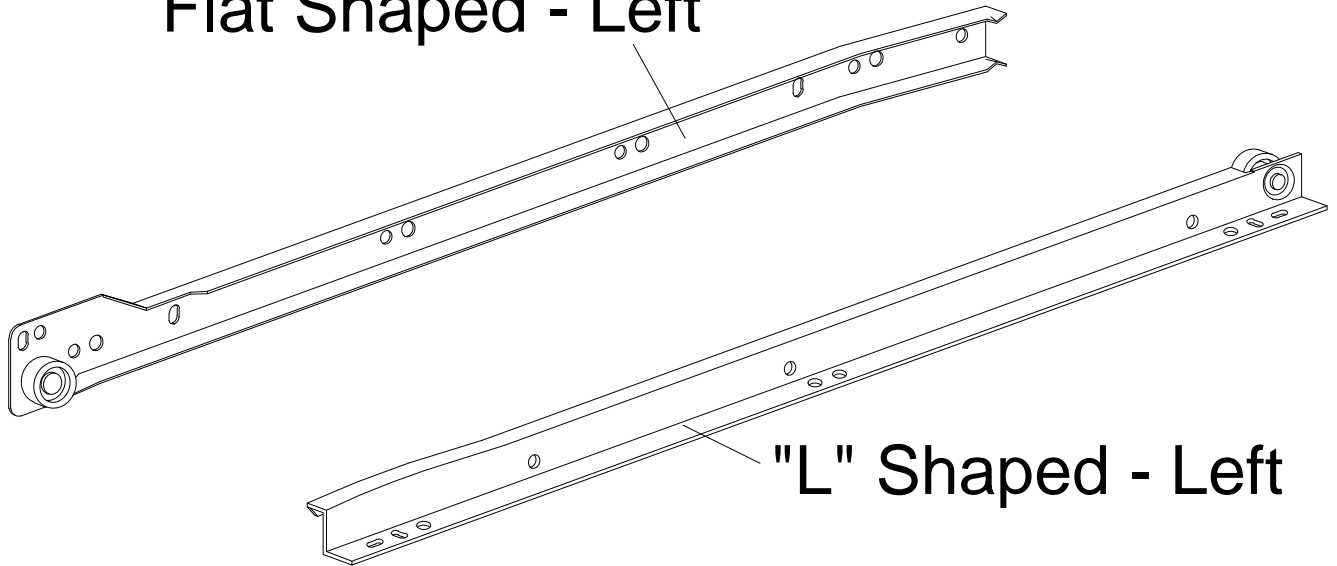
Anti Tipping Hardware (Box)

| No. | SHAPE | DESCRIPTION | Qty. |
|-----|---|--------------------|------|
| a |  | Mounting Bracket | 2Pcs |
| b |  | TP 6# x 5/8" Screw | 1Pc |
| c |  | TP 8# x 2" Screw | 1Pc |
| d |  | Restraint Strap | 1Pc |

Assembly Instruction

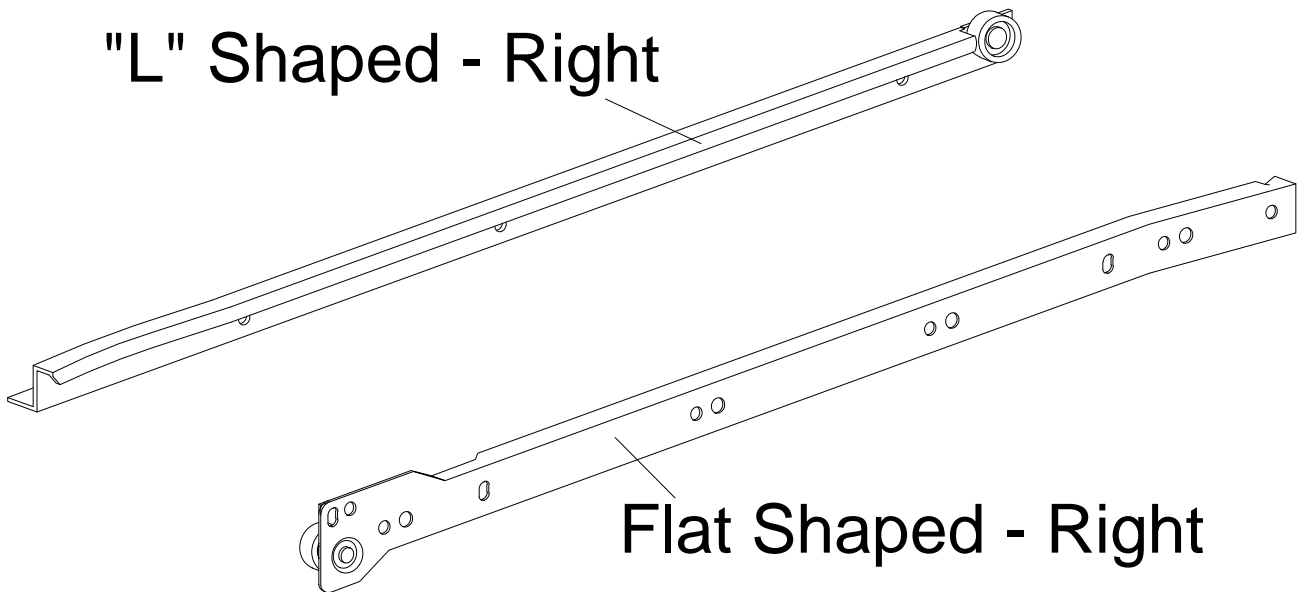
Left Drawer Silde (M)

Flat Shaped - Left



Right Drawer Silde (M)

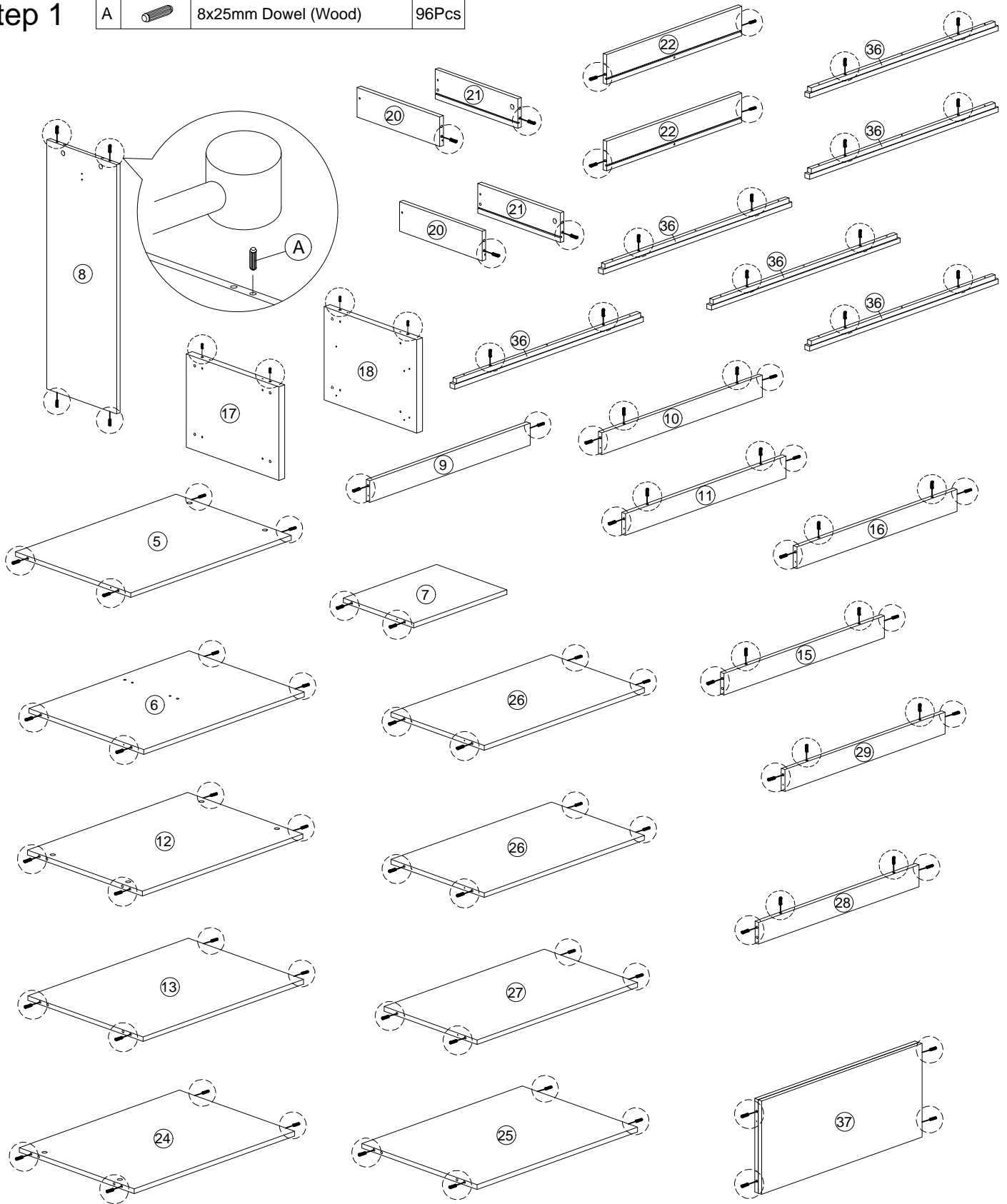
"L" Shaped - Right



Assembly Instruction


Step 1

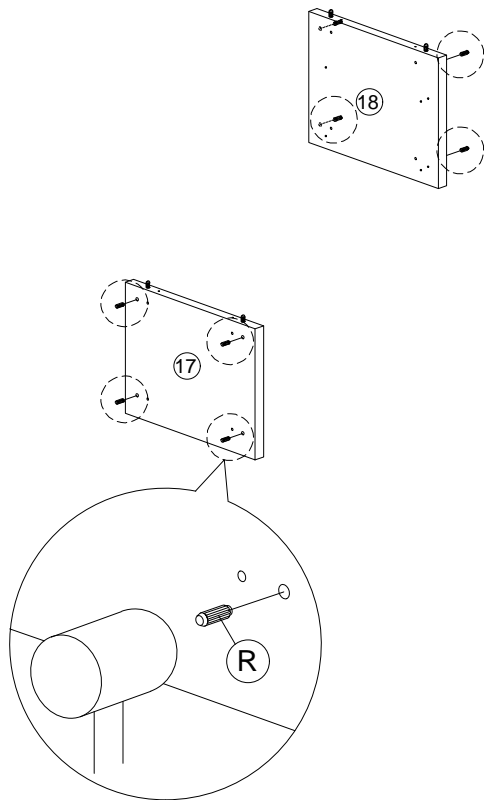
| | | | |
|---|--|---------------------|-------|
| A | | 8x25mm Dowel (Wood) | 96Pcs |
|---|--|---------------------|-------|



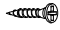

Assembly Instruction

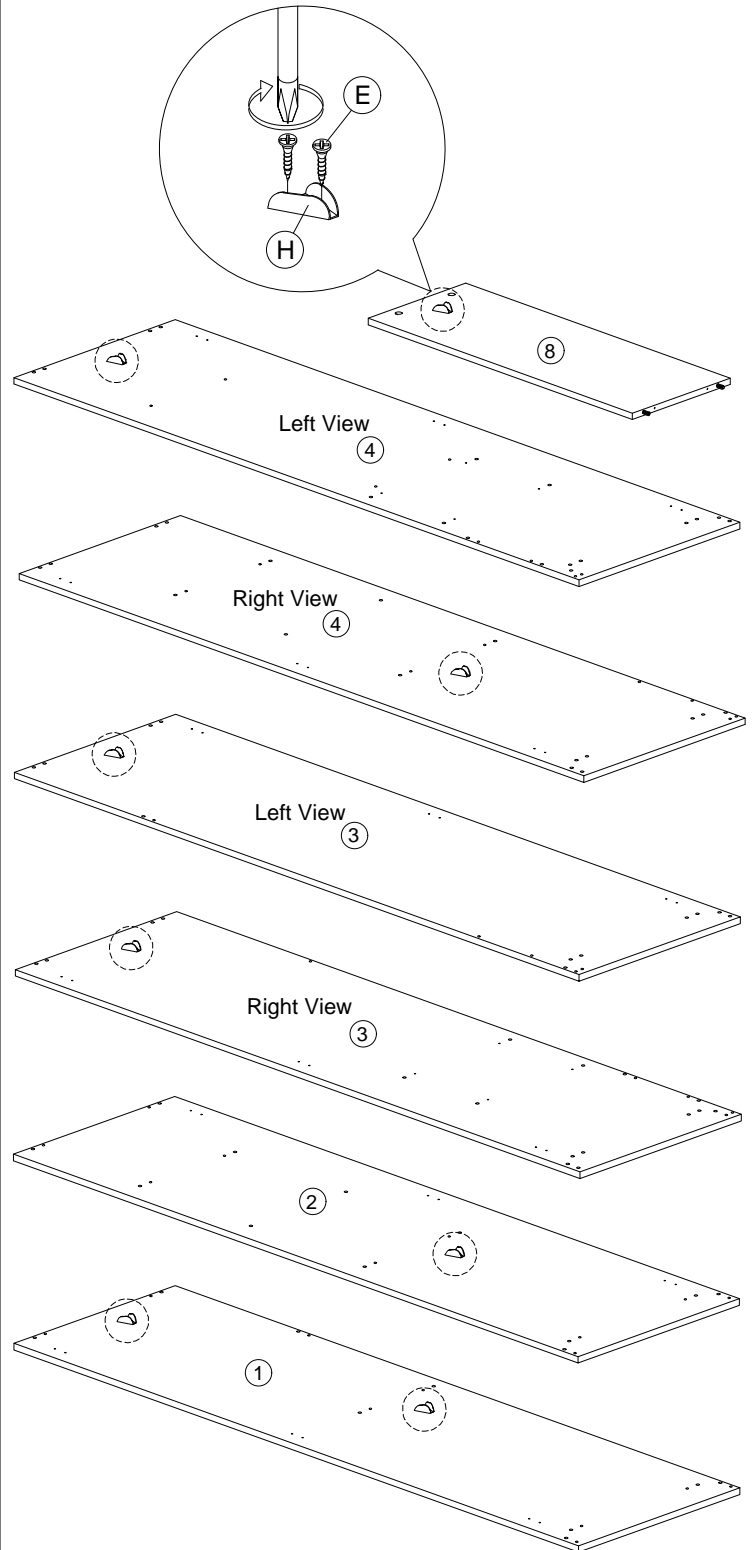
Step 2

| | | | |
|---|---|---------------------|------|
| R |  | 8x20mm Dowel (Wood) | 8Pcs |
|---|---|---------------------|------|




Step 3

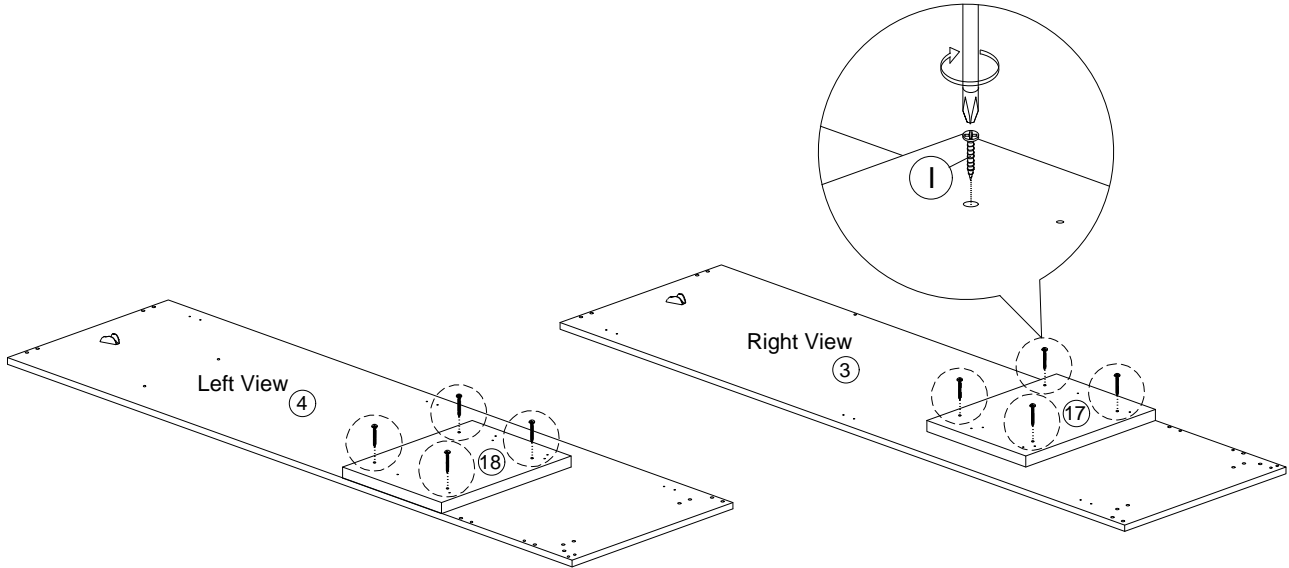
| | | | |
|---|---|-----------------|-------|
| E |  | M3.5x16mm Screw | 16Pcs |
| H |  | V Bracket | 8Pcs |



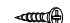

Assembly Instruction


Step 4

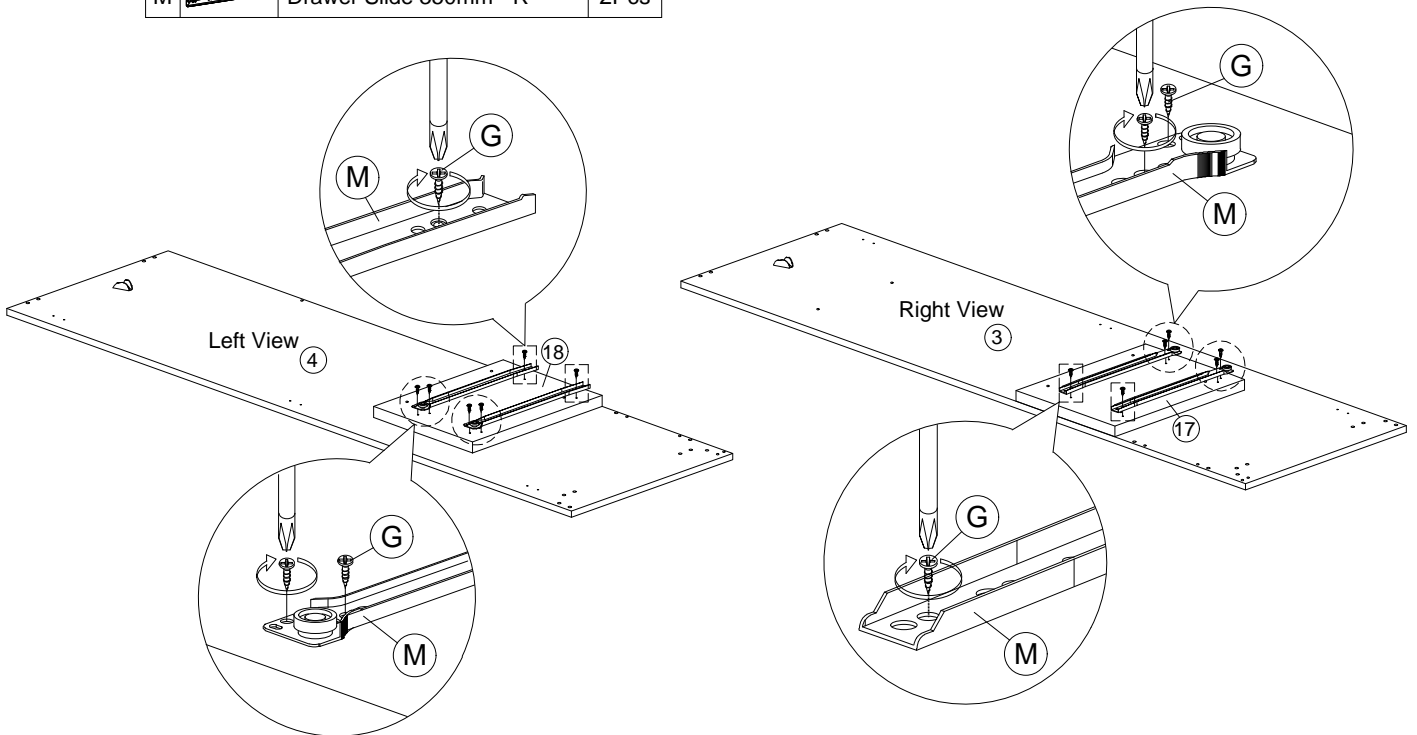
| | | | |
|---|---|---------------|------|
| I |  | M4x38mm Screw | 8Pcs |
|---|---|---------------|------|



Step 5

| | | | |
|---|---|------------------------|-------|
| G |  | M3.5x12mm Screw | 12Pcs |
| M |  | Drawer Slide 350mm - R | 2Pcs |

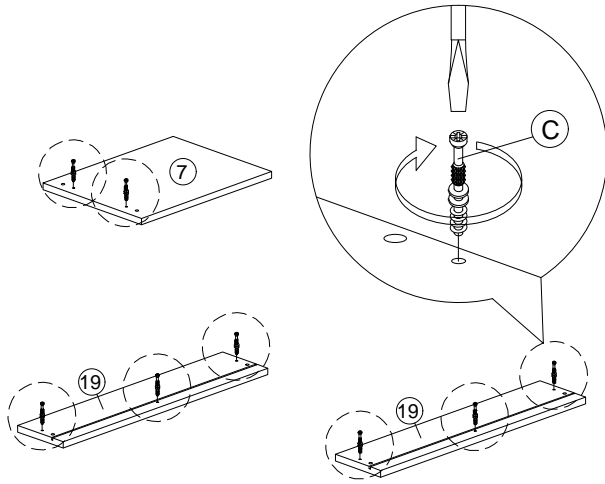
| | | | |
|---|---|------------------------|------|
| M |  | Drawer Slide 350mm - L | 2Pcs |
|---|---|------------------------|------|



Assembly Instruction

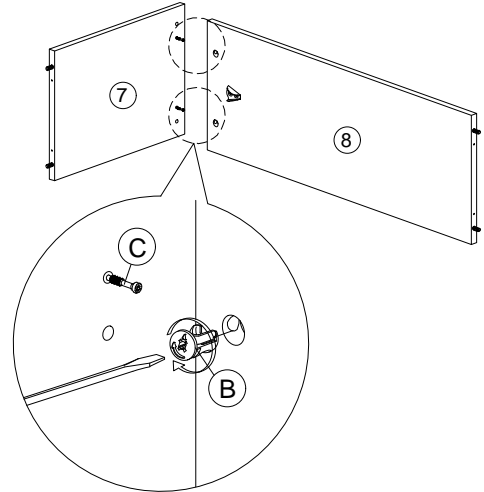
Step 6

C  Myfix 8Pcs

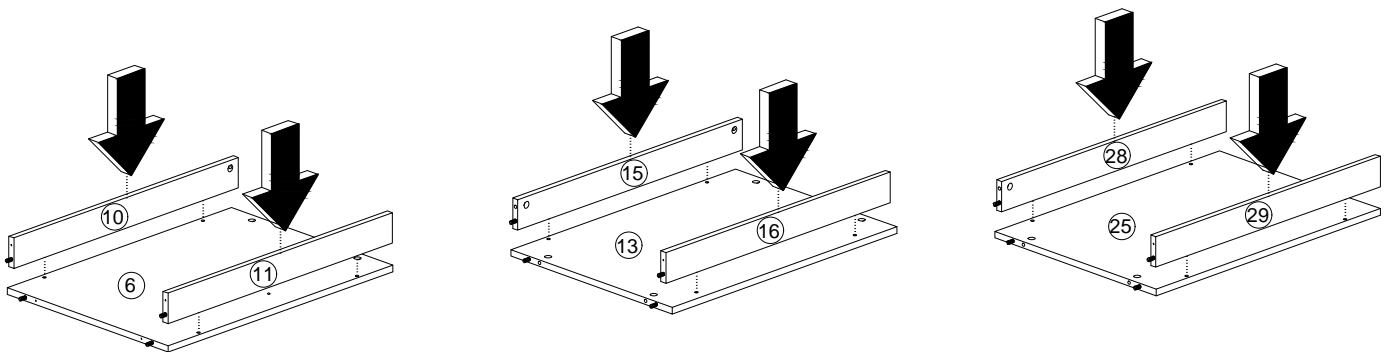


Step 7

B  Minifix 2Pcs




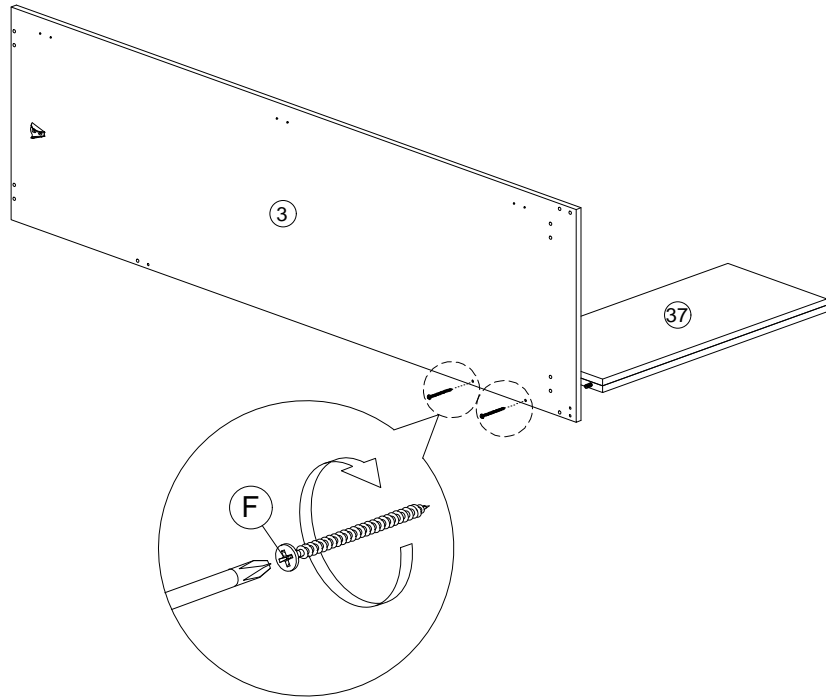
Step 8



Assembly Instruction


Step 9

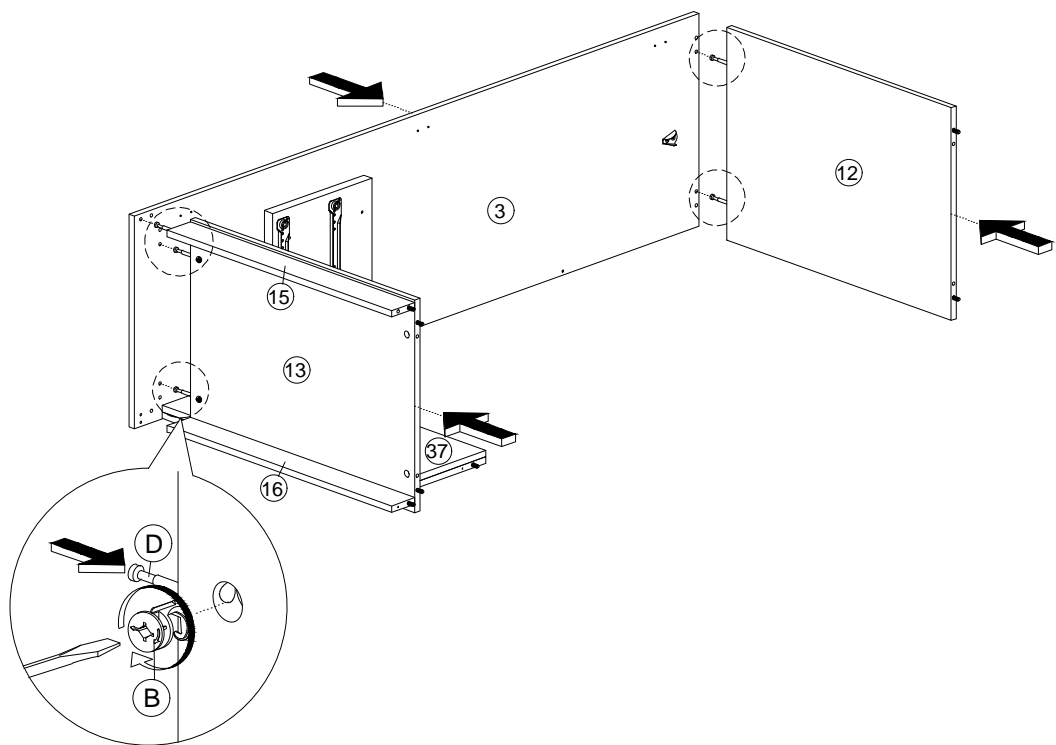
| | | | |
|---|---|---------------|------|
| F |  | M4x45mm Screw | 2Pcs |
|---|---|---------------|------|



Step 10


| | | | |
|---|---|---------|------|
| B |  | Minifix | 5Pcs |
|---|---|---------|------|

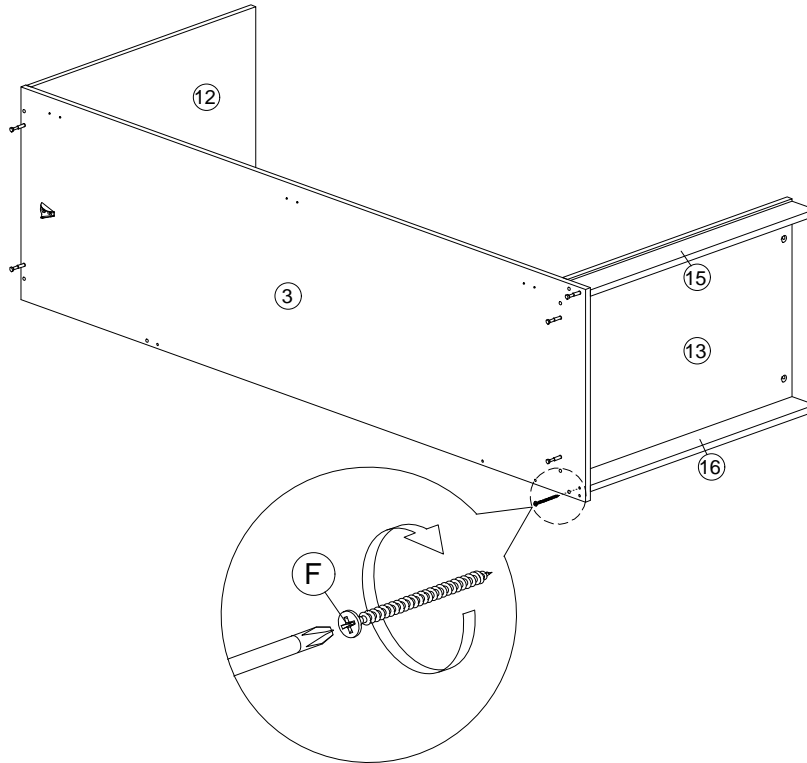
| | | | |
|---|---|------------|------|
| D |  | 63mm Myfix | 5Pcs |
|---|---|------------|------|



Assembly Instruction

Step 11

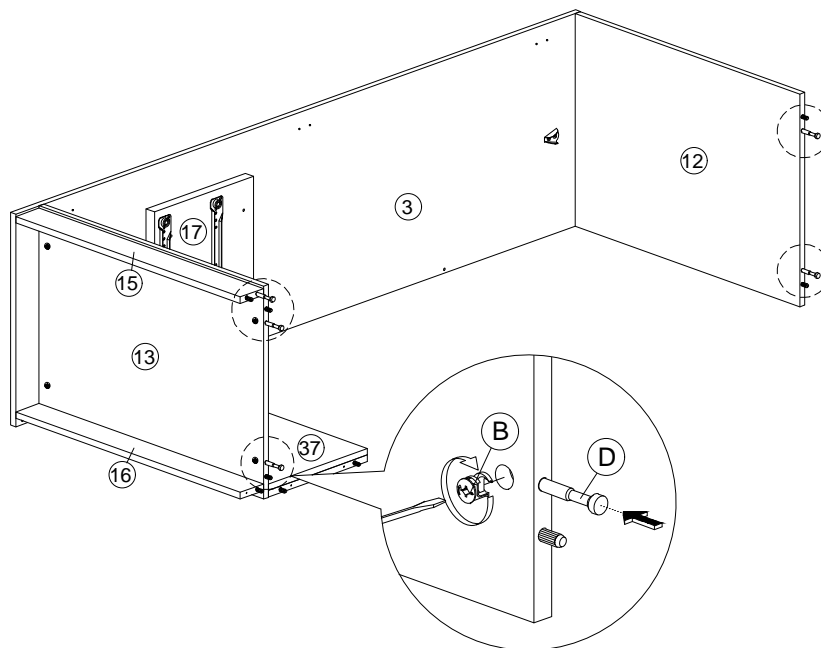
| | | | |
|---|---|---------------|-----|
| F |  | M4x45mm Screw | 1Pc |
|---|---|---------------|-----|



Step 12

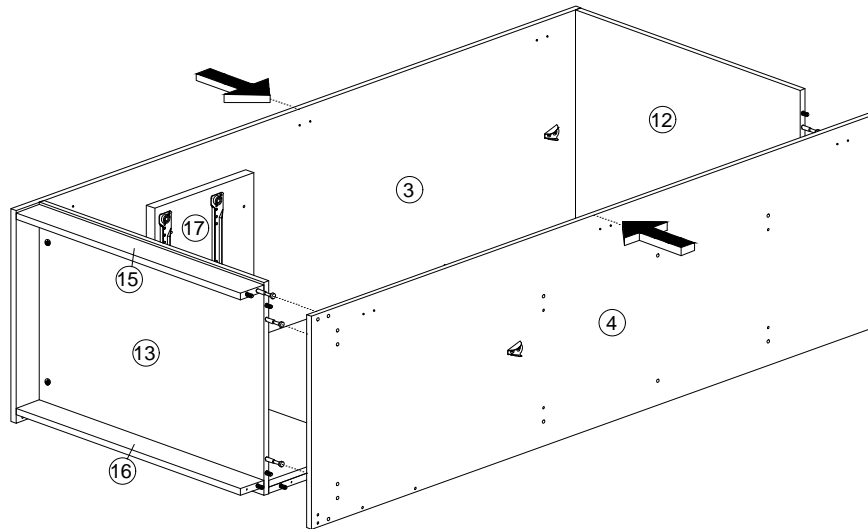
| | | | |
|---|---|---------|------|
| B |  | Minifix | 5Pcs |
|---|---|---------|------|

| | | | |
|---|---|------------|------|
| D |  | 63mm Myfix | 5Pcs |
|---|---|------------|------|




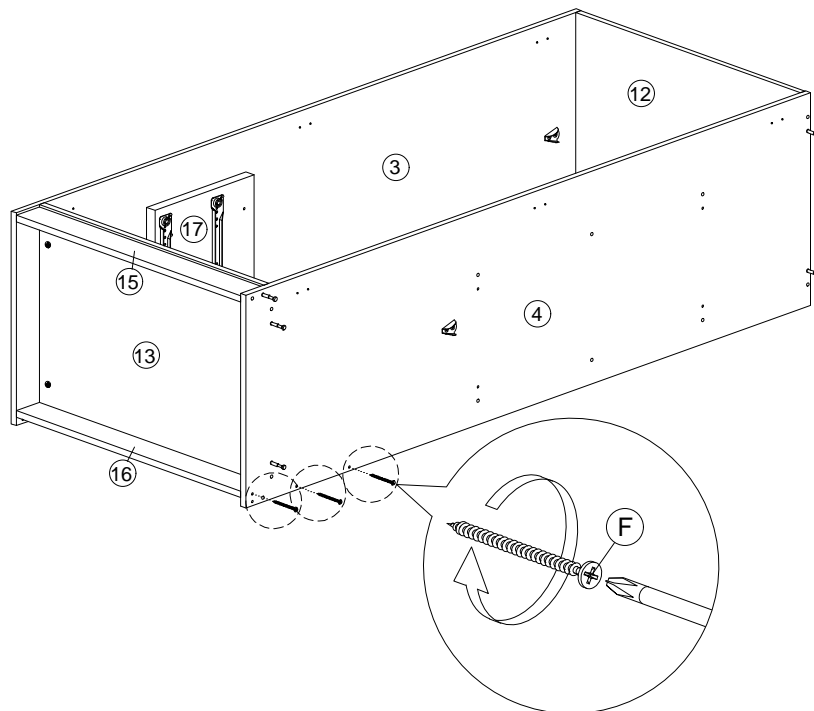
Assembly Instruction

Step 13




Step 14

| | | | |
|---|---|---------------|------|
| F |  | M4x45mm Screw | 3Pcs |
|---|---|---------------|------|

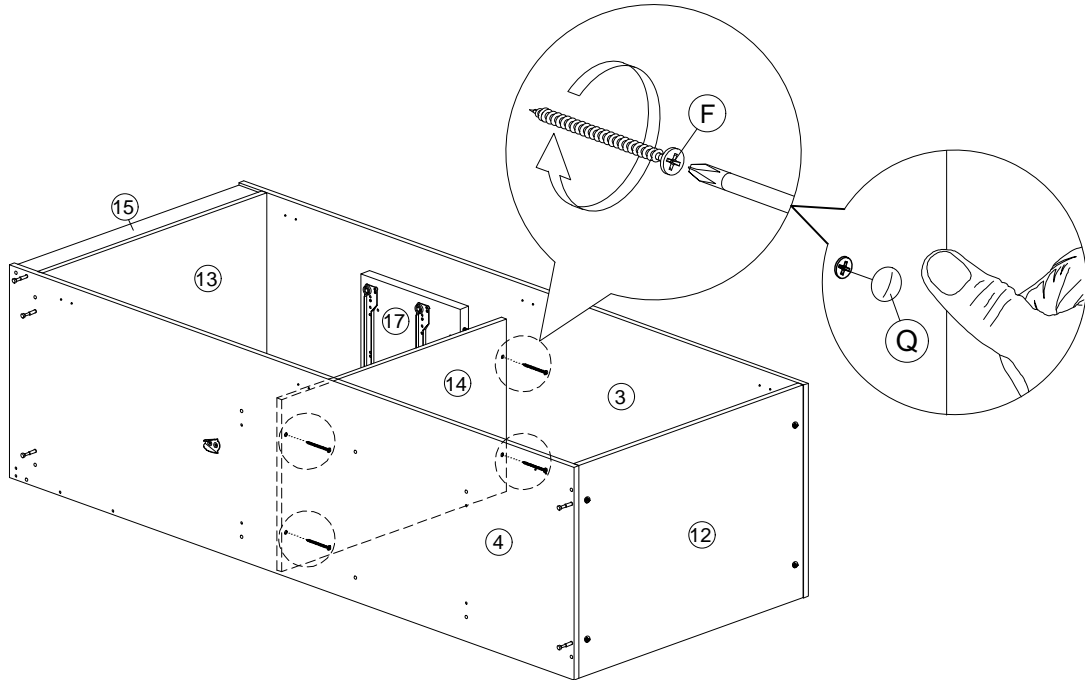


Assembly Instruction


Step 15

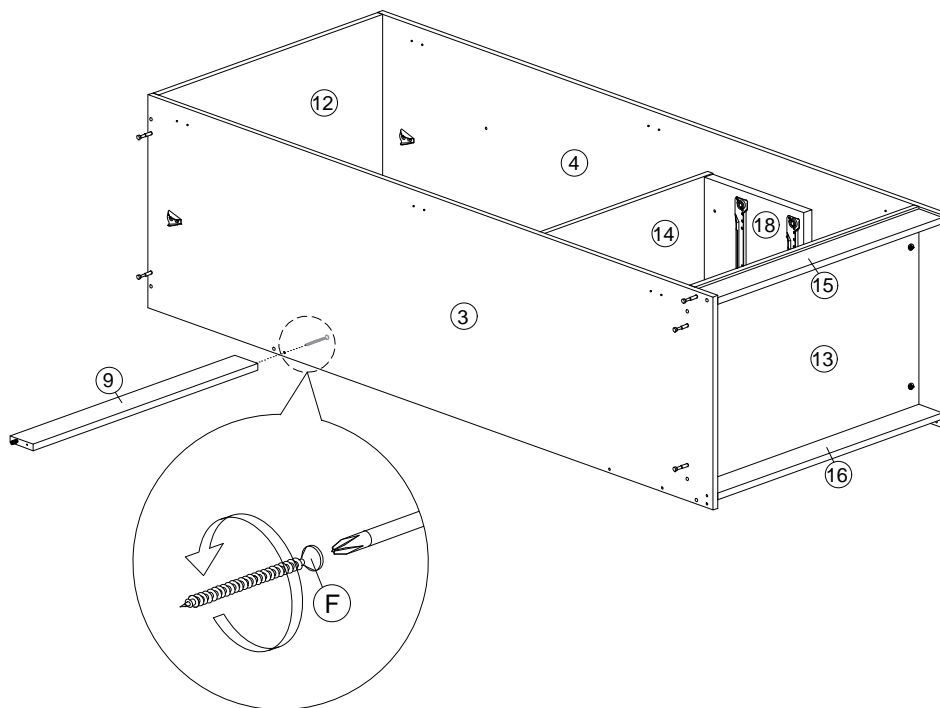
| | | | |
|---|---|---------------|------|
| F |  | M4x45mm Screw | 4Pcs |
|---|---|---------------|------|

| | | | |
|---|---|---------|------|
| Q |  | Sticker | 4Pcs |
|---|---|---------|------|



Step 16

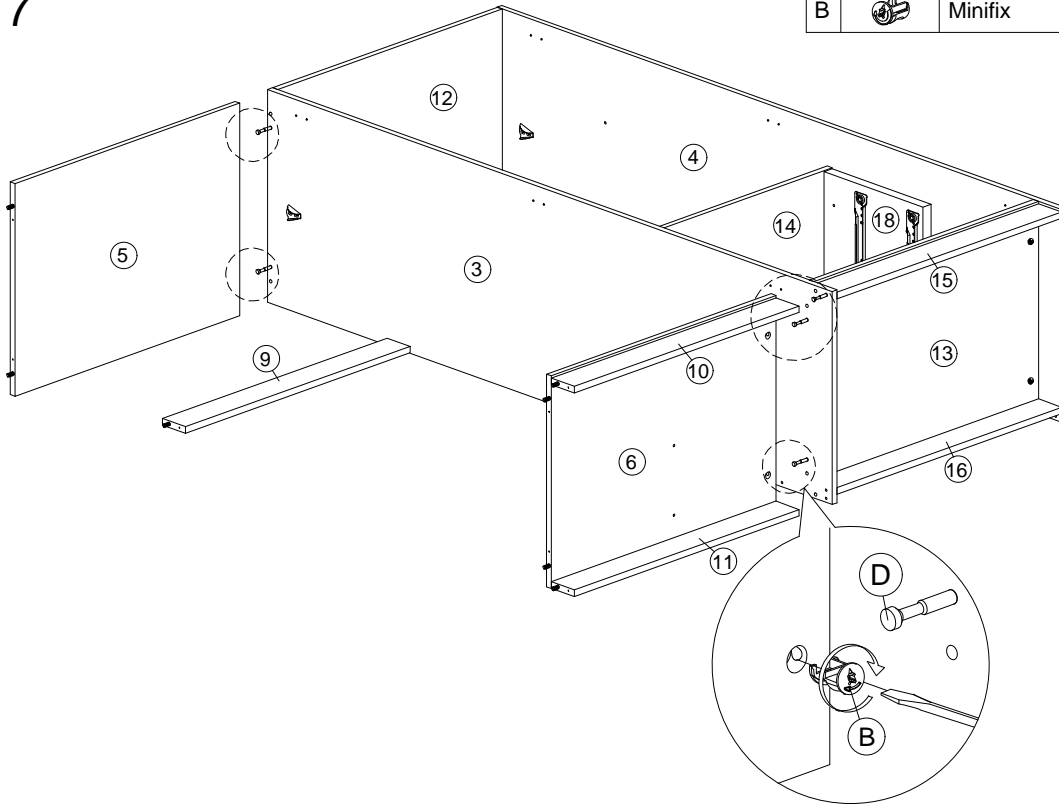
| | | | |
|---|---|---------------|-----|
| F |  | M4x45mm Screw | 1Pc |
|---|---|---------------|-----|




Assembly Instruction

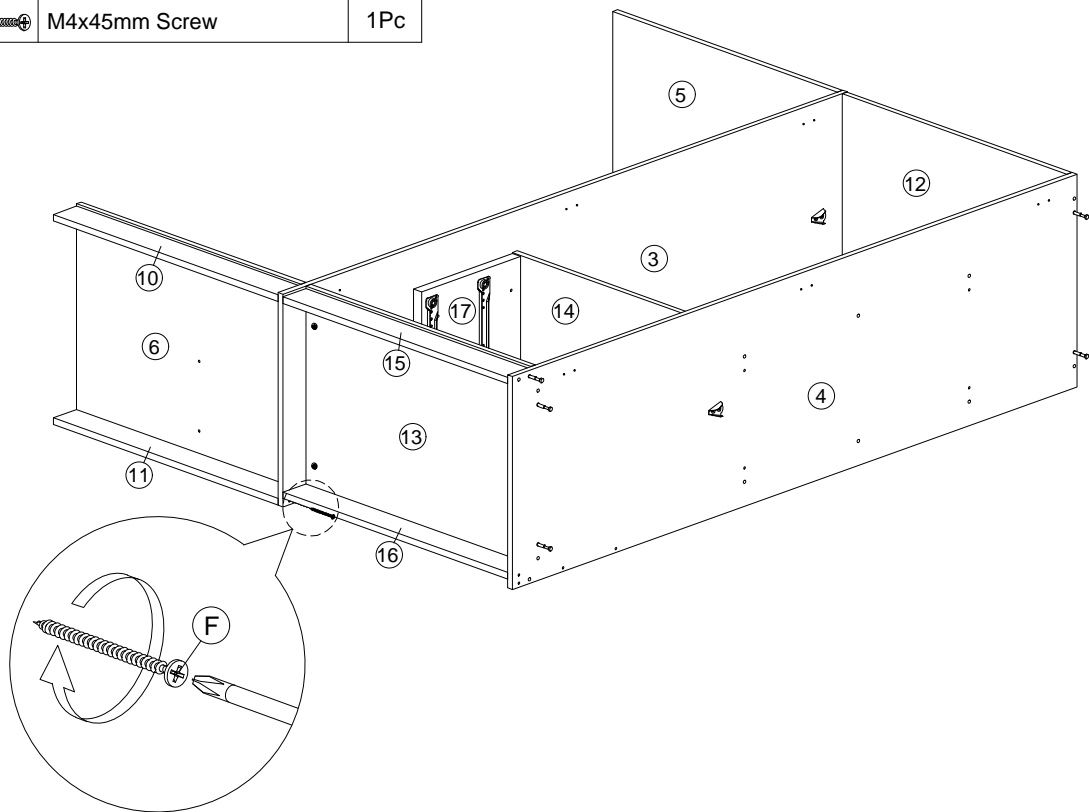
Step 17

| | | | |
|---|---|---------|------|
| B |  | Minifix | 5Pcs |
|---|---|---------|------|



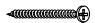
Step 18

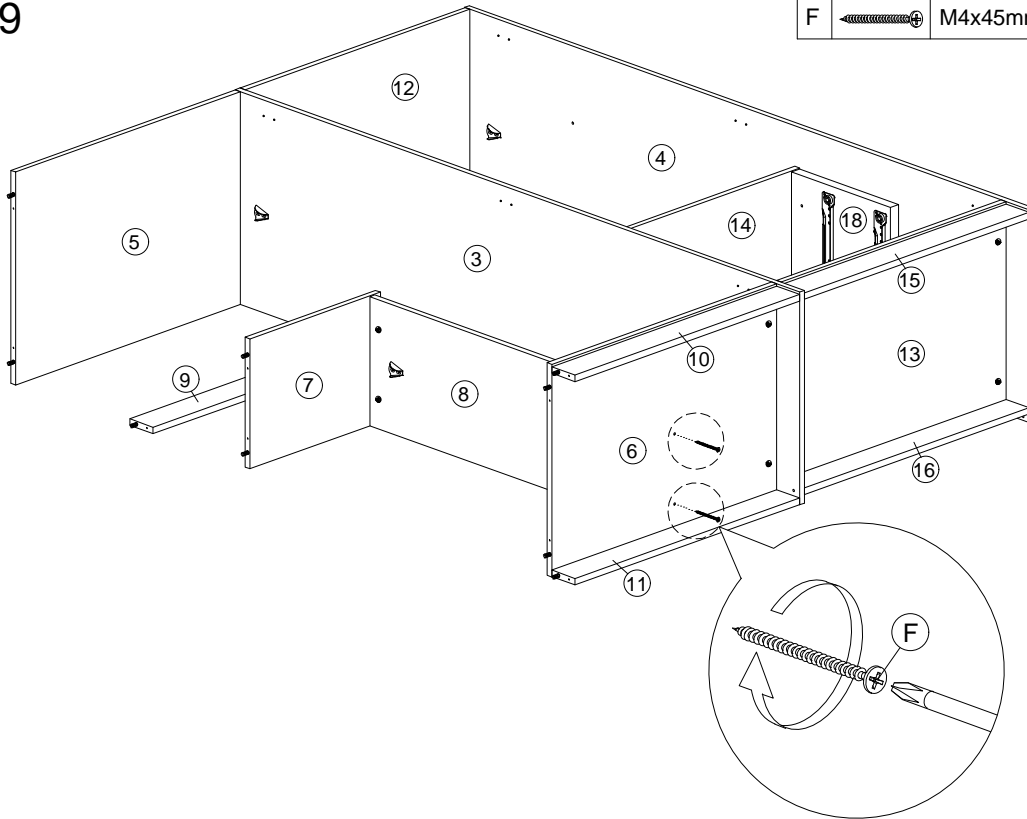
| | | | |
|---|---|---------------|-----|
| F |  | M4x45mm Screw | 1Pc |
|---|---|---------------|-----|




Assembly Instruction


Step 19

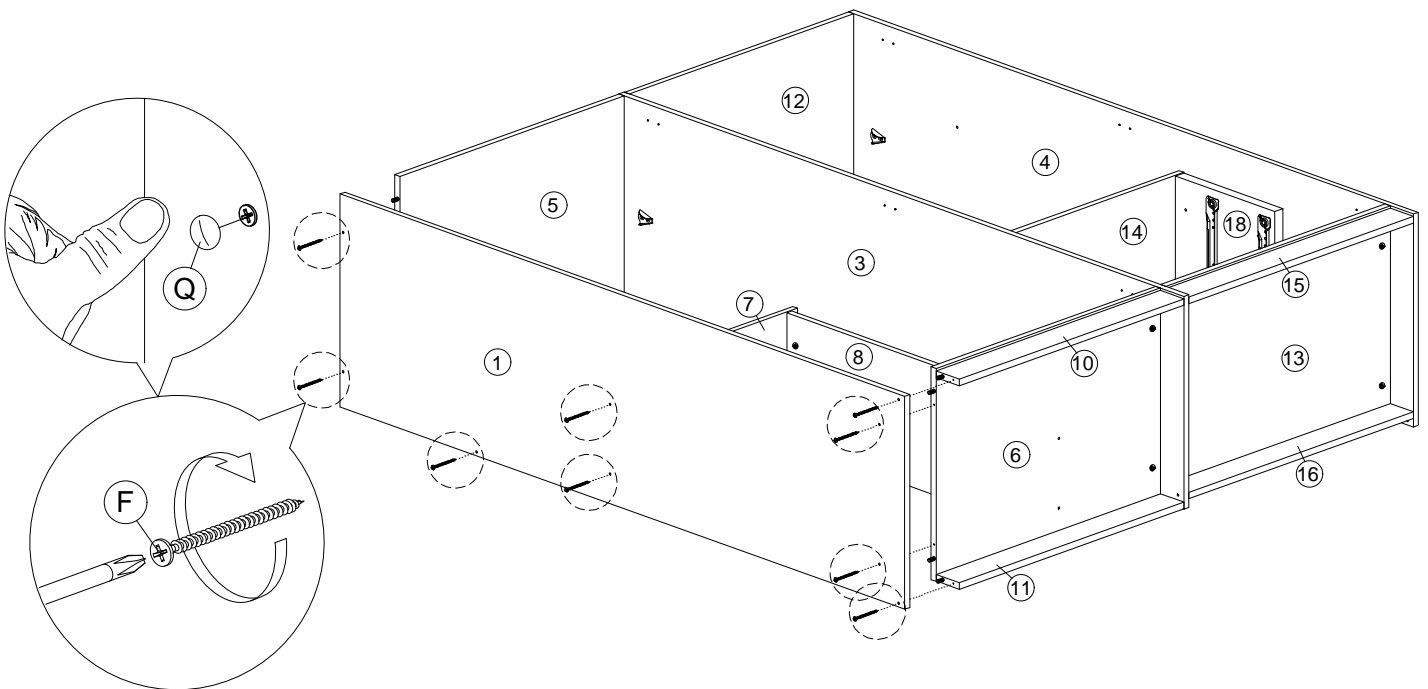
| | | | |
|---|---|---------------|------|
| F |  | M4x45mm Screw | 2Pcs |
|---|---|---------------|------|



Step 20


| | | | |
|---|---|---------------|------|
| F |  | M4x45mm Screw | 9Pcs |
|---|---|---------------|------|

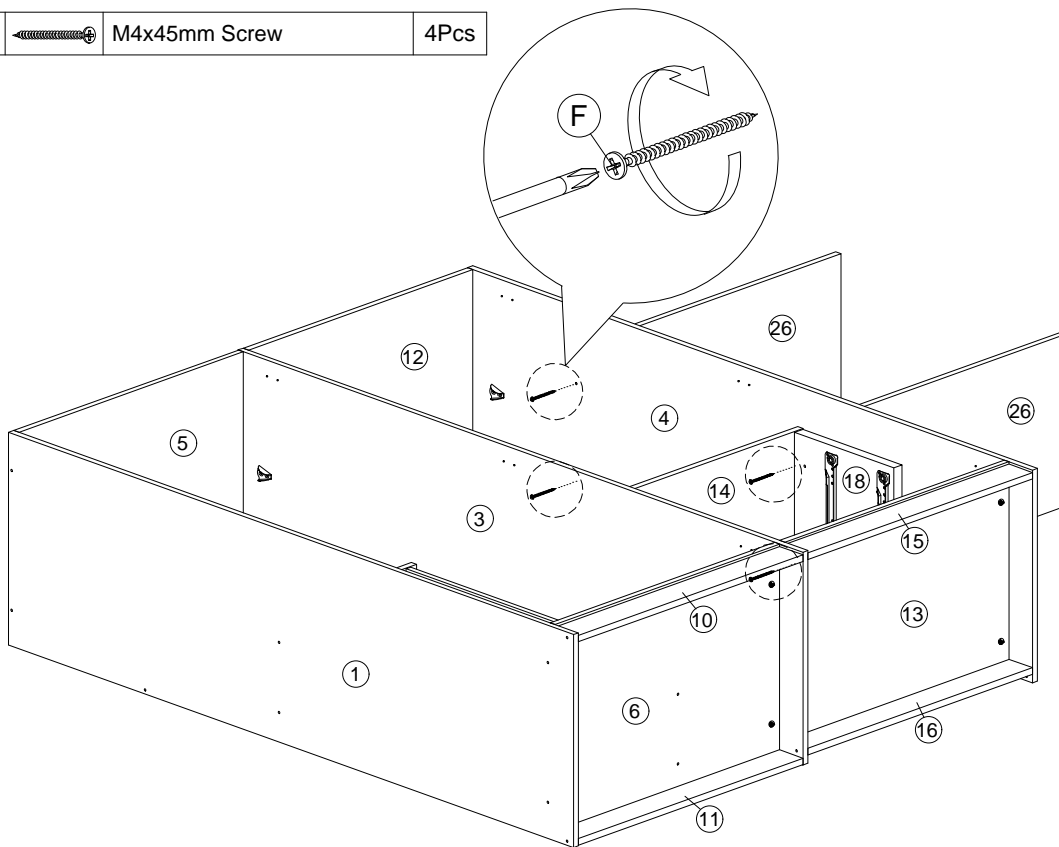
| | | | |
|---|---|---------|------|
| Q |  | Sticker | 9Pcs |
|---|---|---------|------|



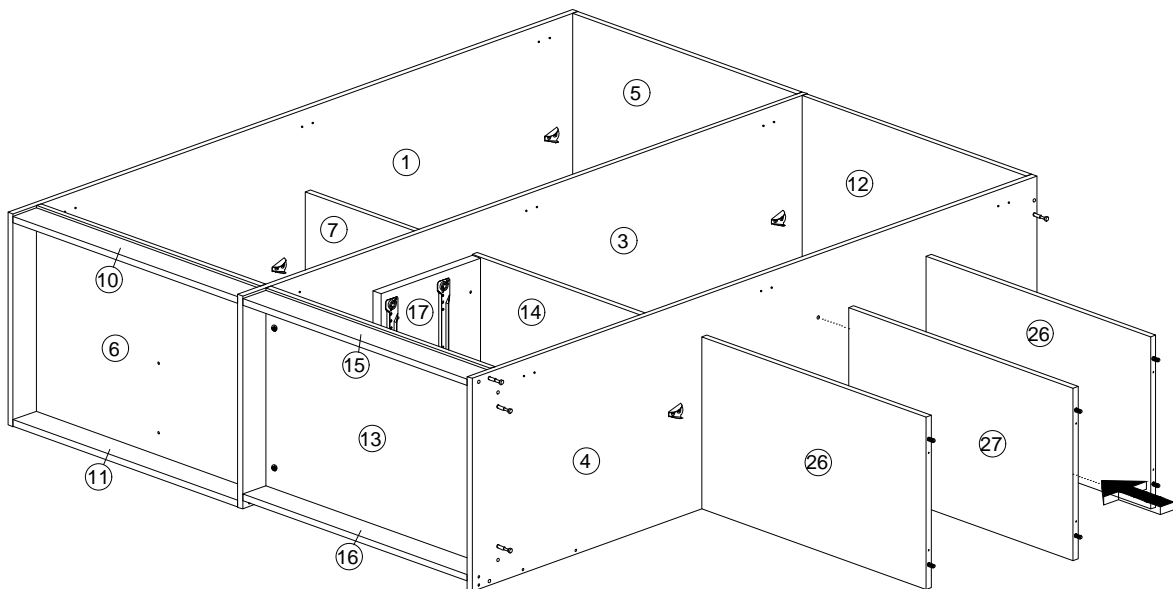
Assembly Instruction

Step 21

F  M4x45mm Screw 4Pcs



Step 22



Assembly Instruction

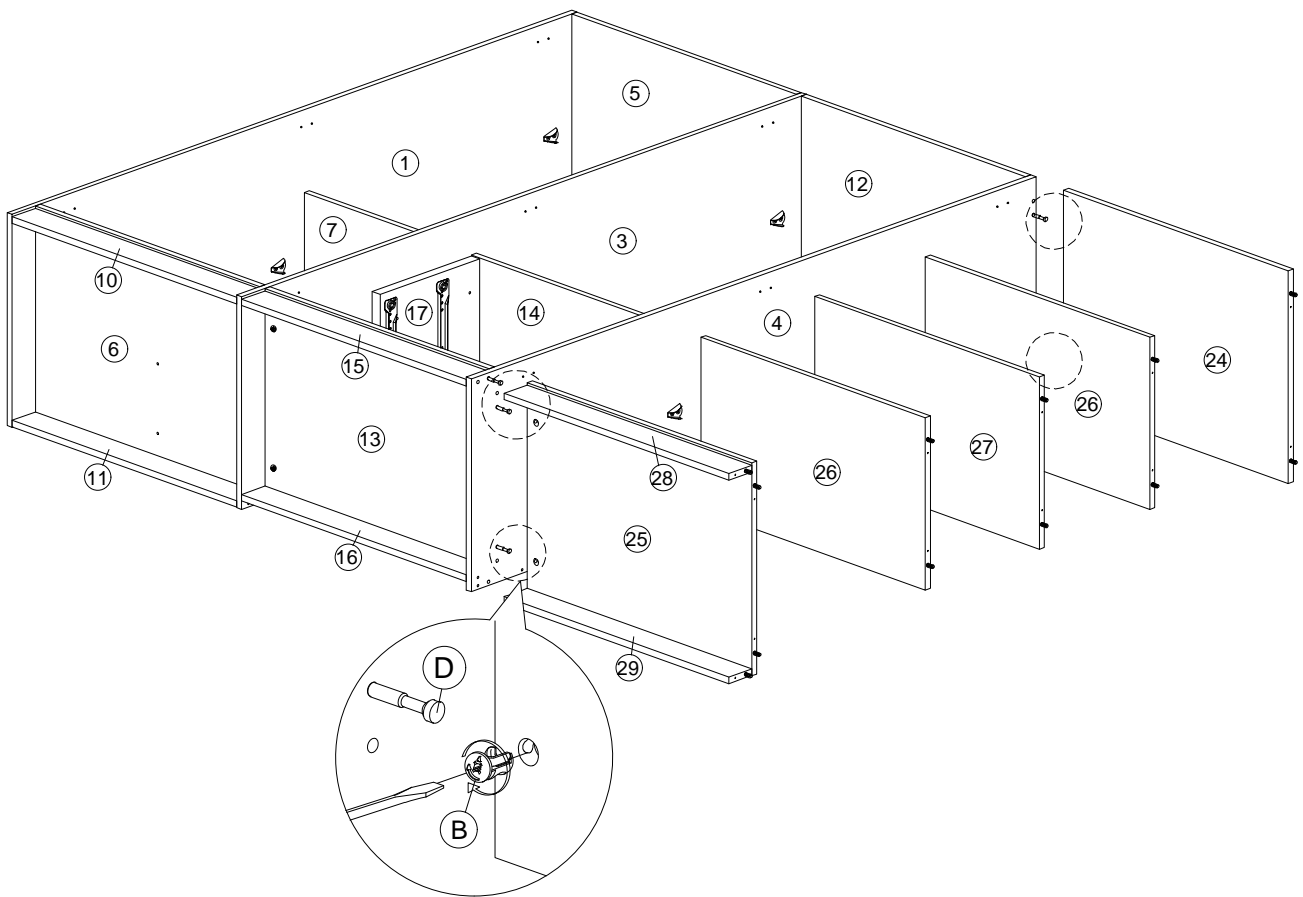
Step 23

B



Minifix

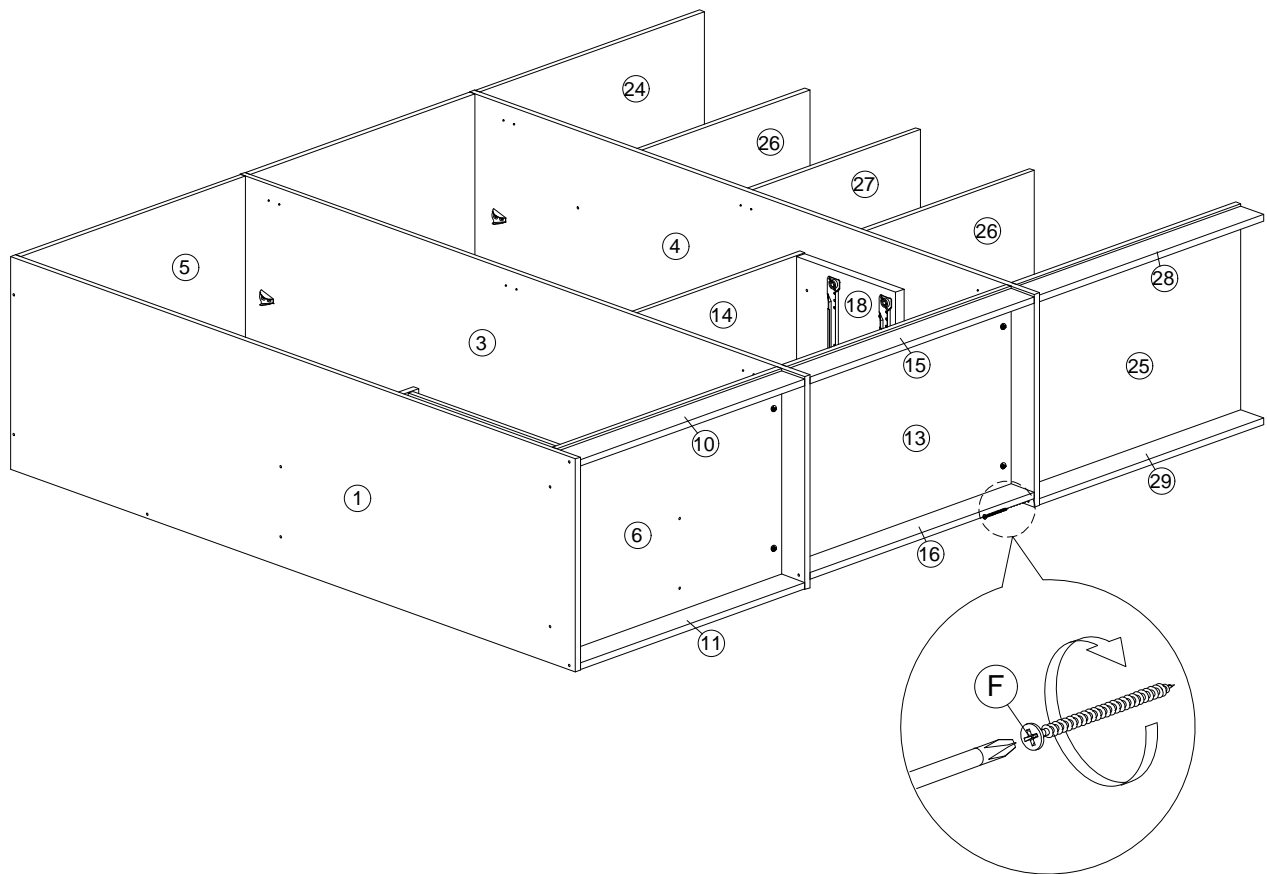
5Pcs



Assembly Instruction


Step 24

| | | | |
|---|---|---------------|-----|
| F |  | M4x45mm Screw | 1Pc |
|---|---|---------------|-----|

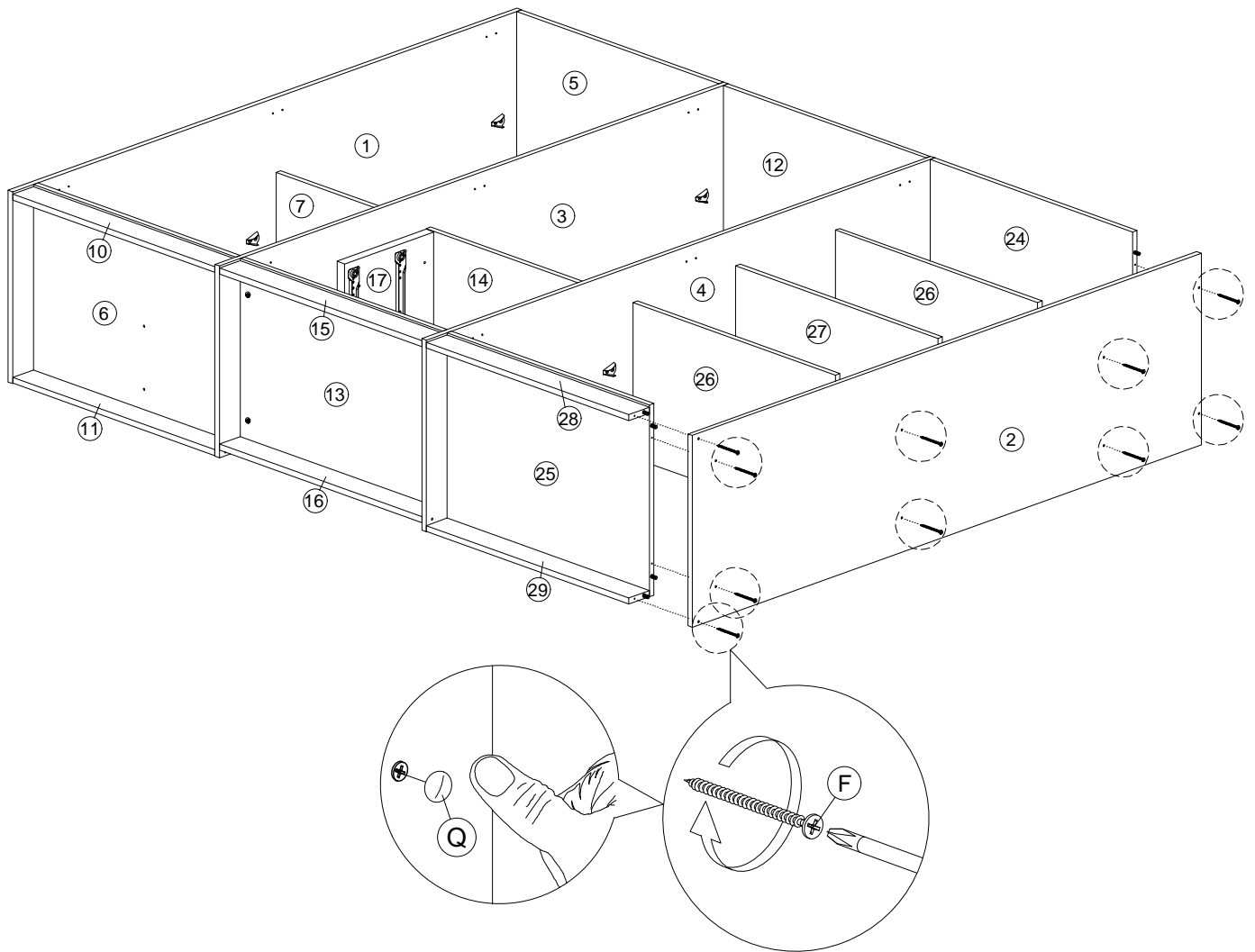


Assembly Instruction

Step 25


| | | | |
|---|---|---------------|-------|
| F |  | M4x45mm Screw | 10Pcs |
|---|---|---------------|-------|

| | | | |
|---|---|---------|-------|
| Q |  | Sticker | 10Pcs |
|---|---|---------|-------|

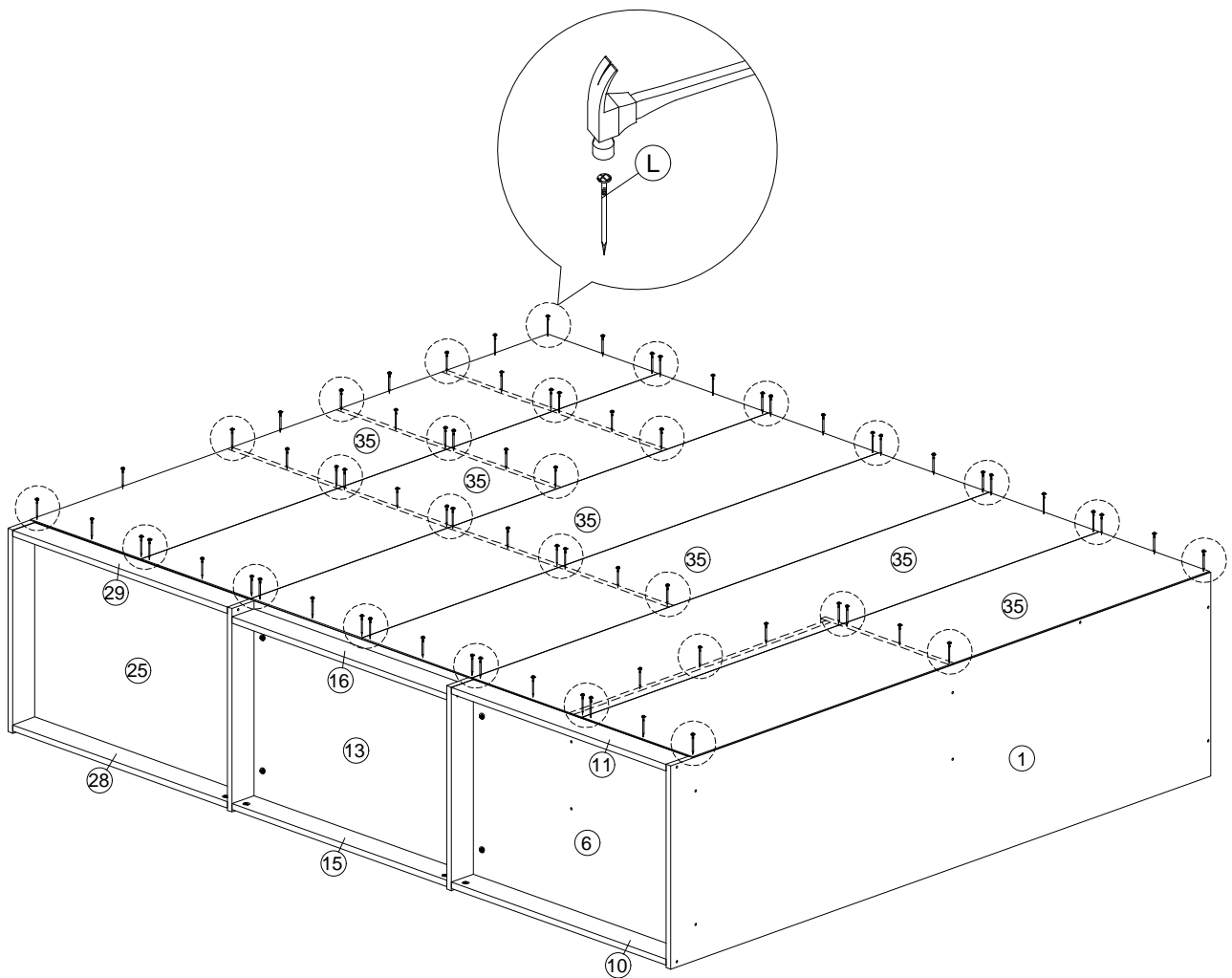


Assembly Instruction

Step 26

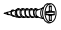
| | | | |
|---|---|---------------|-------|
| L |  | 6/8 Power Pin | 70Pcs |
|---|---|---------------|-------|

* Flip to the back view

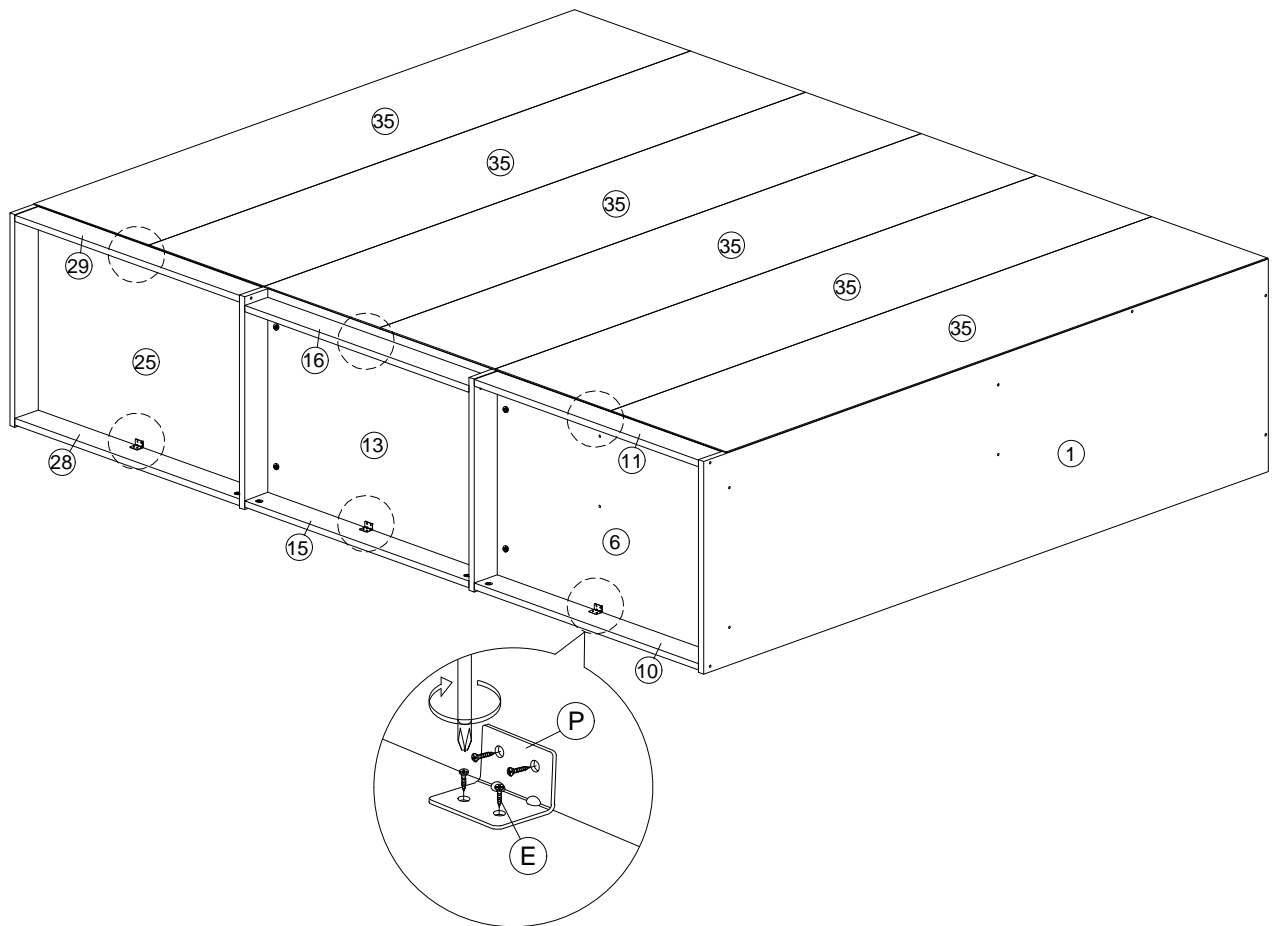


Assembly Instruction

Step 27

E  M3.5x16mm Screw 24Pcs

P  L Bracket 6Pcs



Assembly Instruction

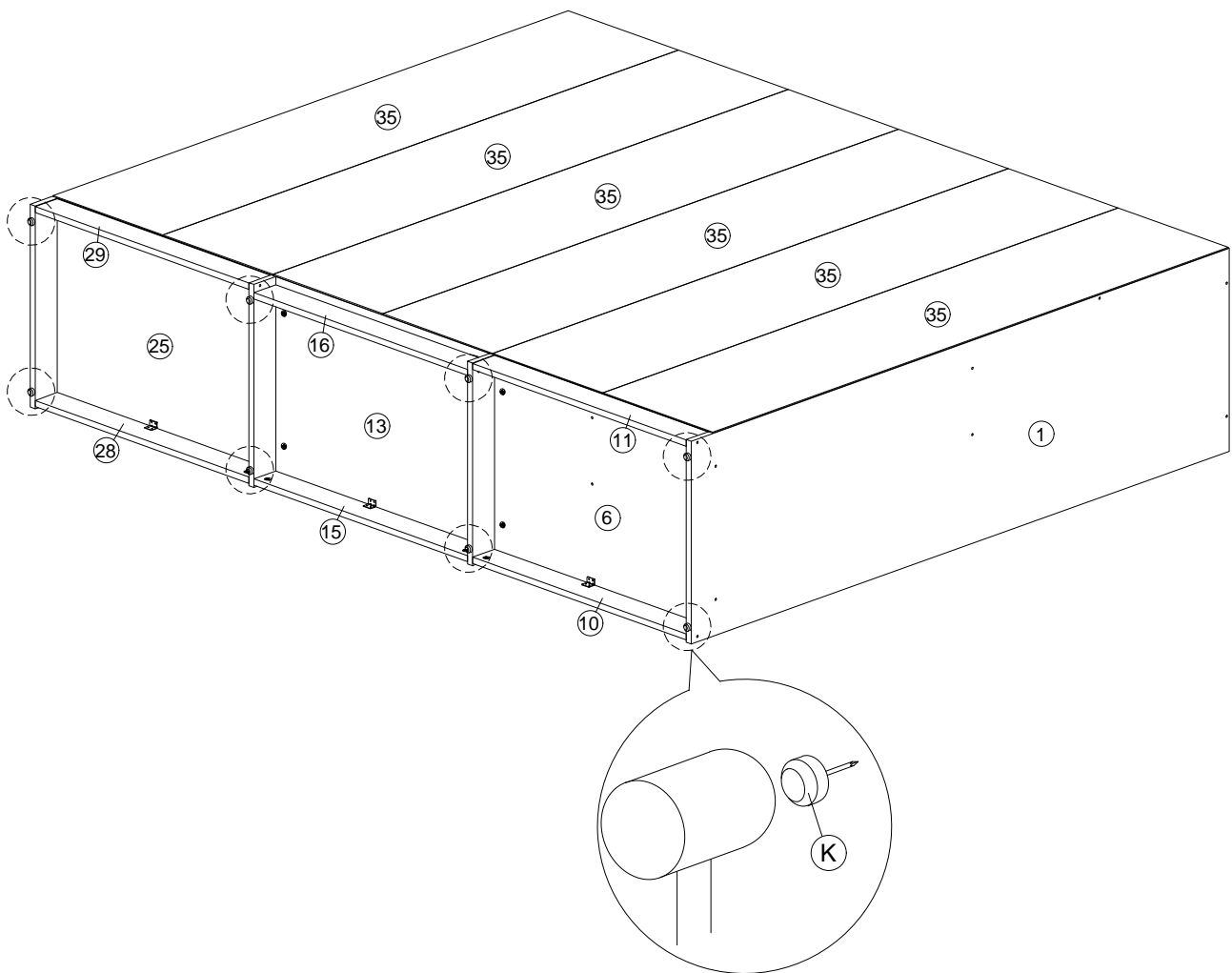
Step 28

K




5/8 Nail With Pin

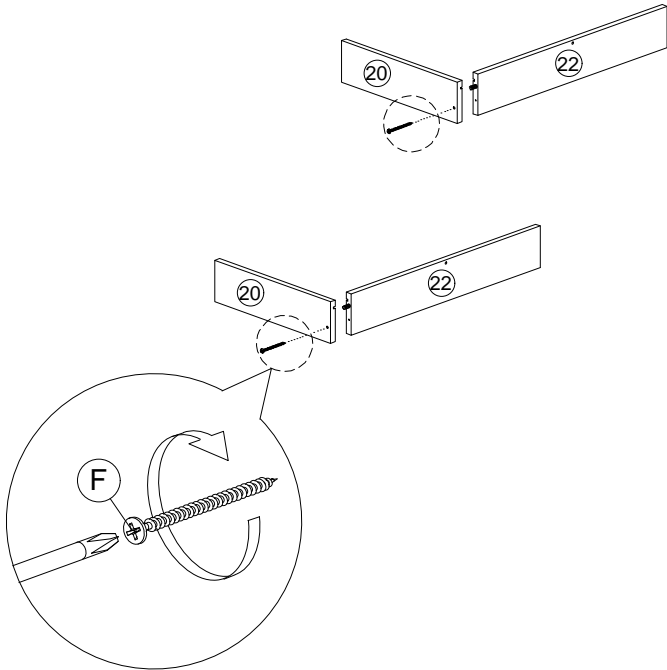
8Pcs




Assembly Instruction

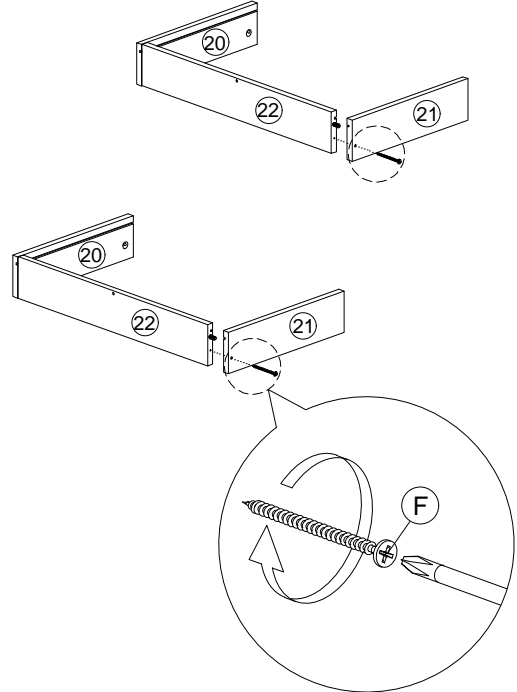
Step 29

| | | | |
|---|---|---------------|------|
| F |  | M4x45mm Screw | 2Pcs |
|---|---|---------------|------|




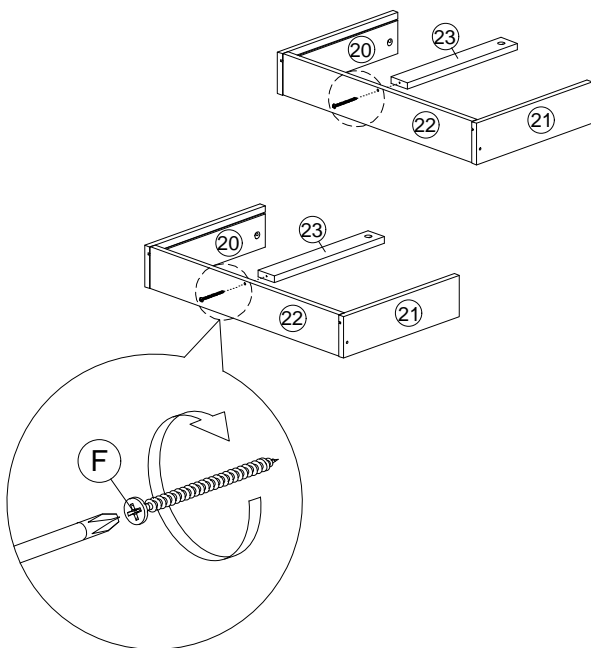
Step 30

| | | | |
|---|---|---------------|------|
| F |  | M4x45mm Screw | 2Pcs |
|---|---|---------------|------|

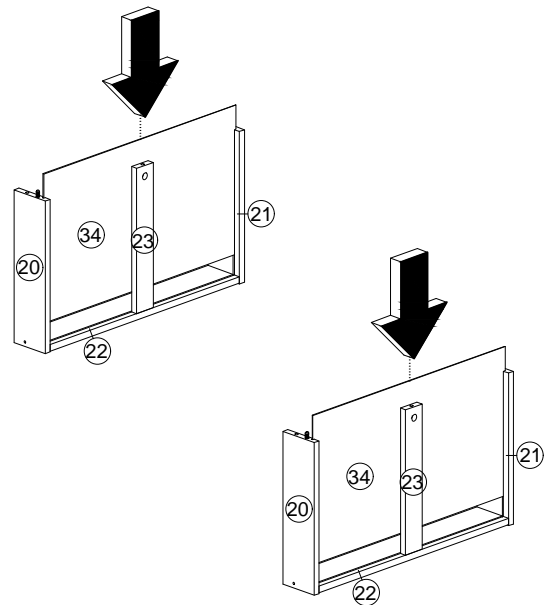


Step 31

| | | | |
|---|---|---------------|------|
| F |  | M4x45mm Screw | 2Pcs |
|---|---|---------------|------|

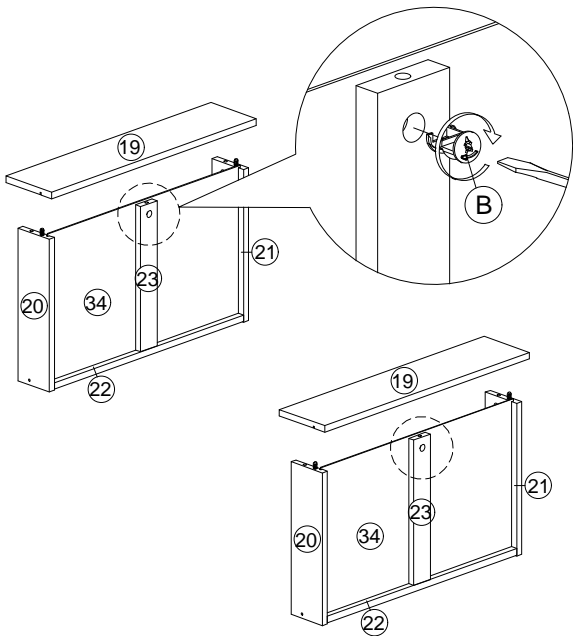


Step 32

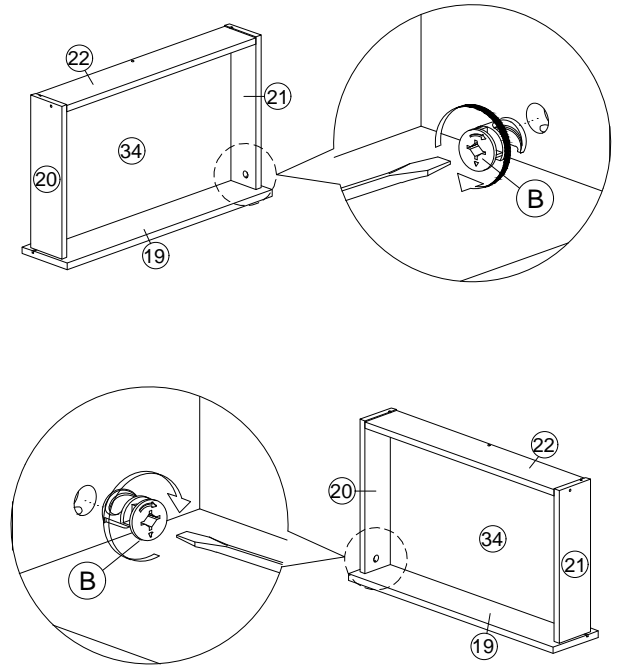


Assembly Instruction

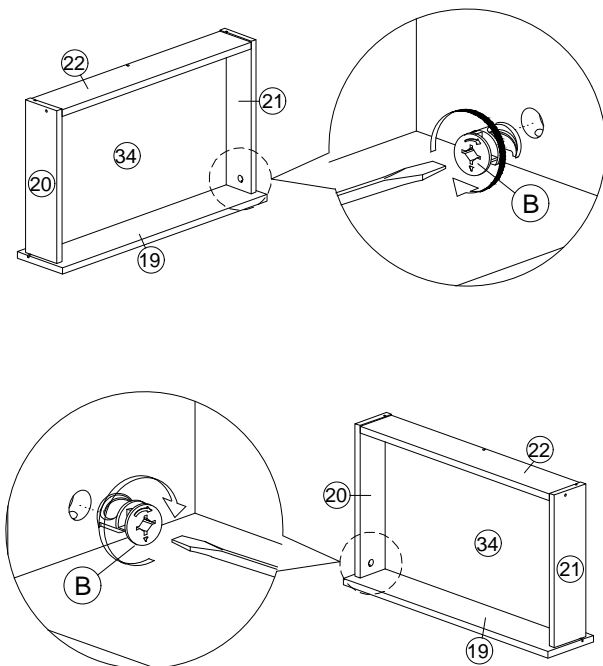
Step 33 B  Minifix 2Pcs

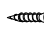



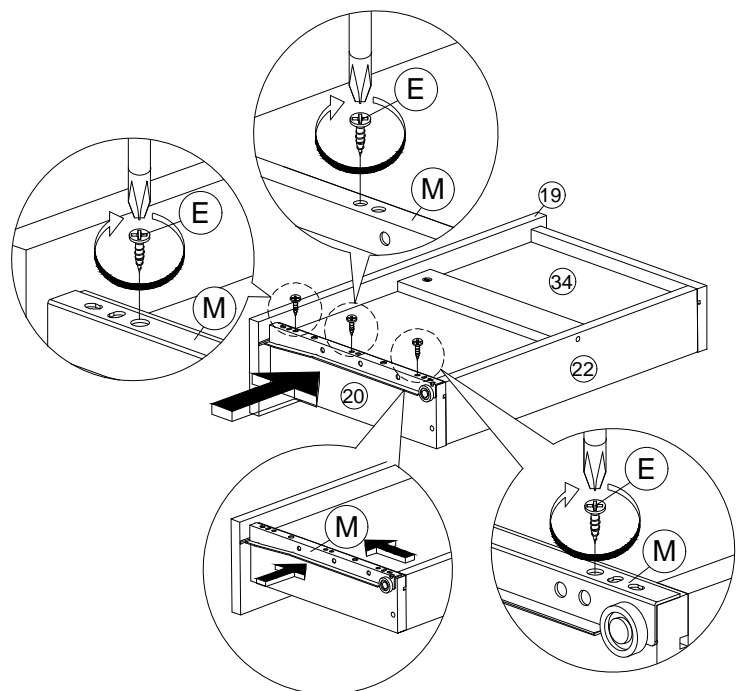
Step 34 B  Minifix 2Pcs



Step 35 B  Minifix 2Pcs

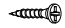



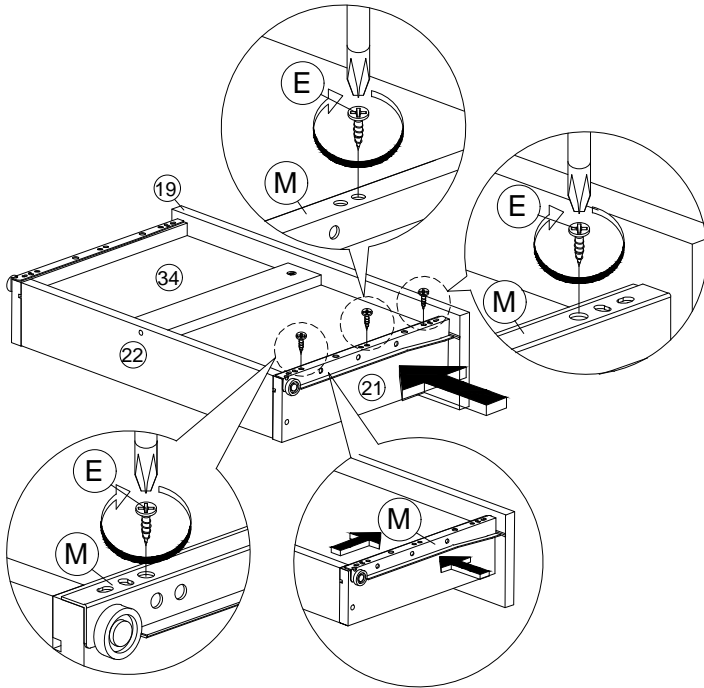
Step 36 E  M3.5x16mm Screw 3Pcs
M  Drawer Slide 350mm - L 1Pc



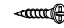

Assembly Instruction

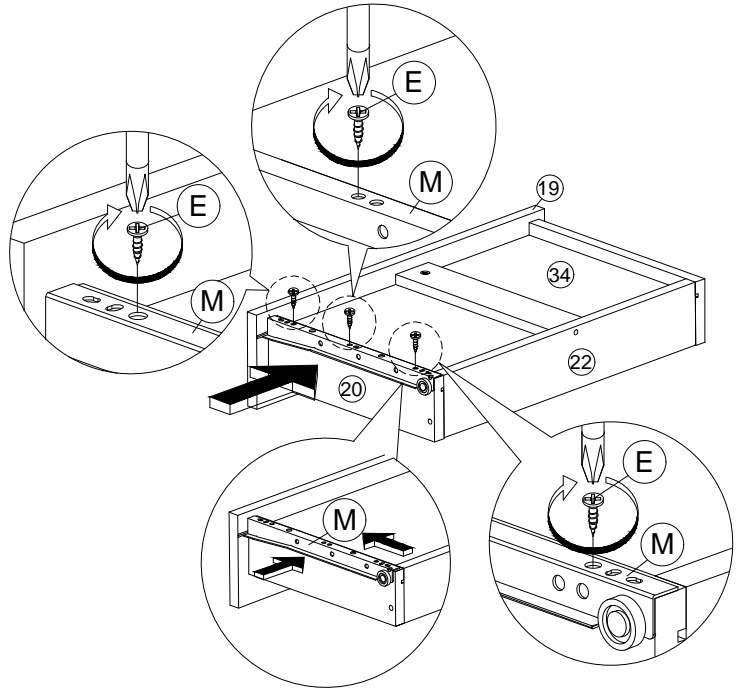
Step 37

| | | | |
|---|---|------------------------|------|
| E |  | M3.5x16mm Screw | 3Pcs |
| M |  | Drawer Slide 350mm - R | 1Pc |

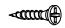



Step 38

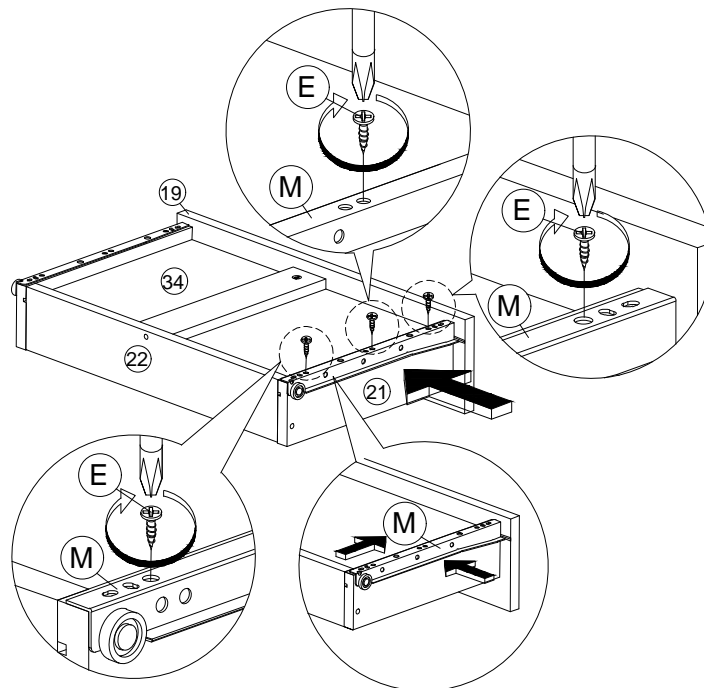
| | | | |
|---|---|------------------------|------|
| E |  | M3.5x16mm Screw | 3Pcs |
| M |  | Drawer Slide 350mm - L | 1Pc |



Step 39

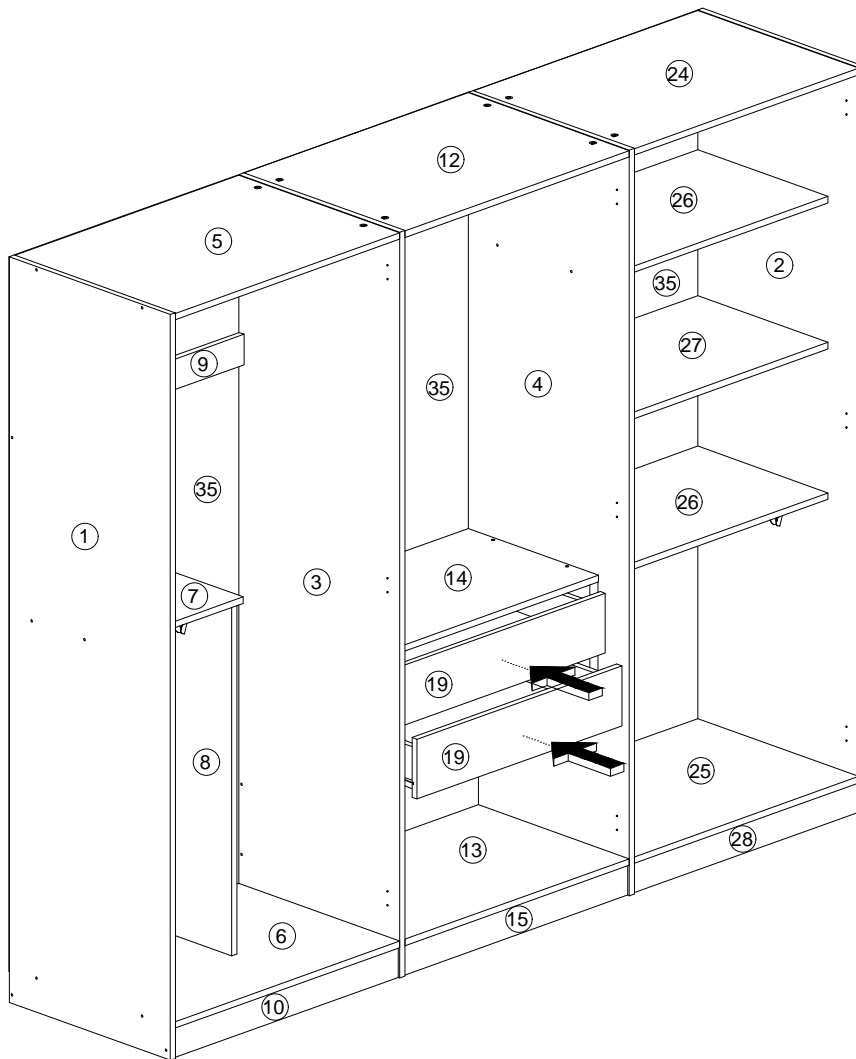
| | | | |
|---|---|-----------------|------|
| E |  | M3.5x16mm Screw | 3Pcs |
|---|---|-----------------|------|

| | | | |
|---|---|------------------------|-----|
| M |  | Drawer Slide 350mm - R | 1Pc |
|---|---|------------------------|-----|




Assembly Instruction


Step 40

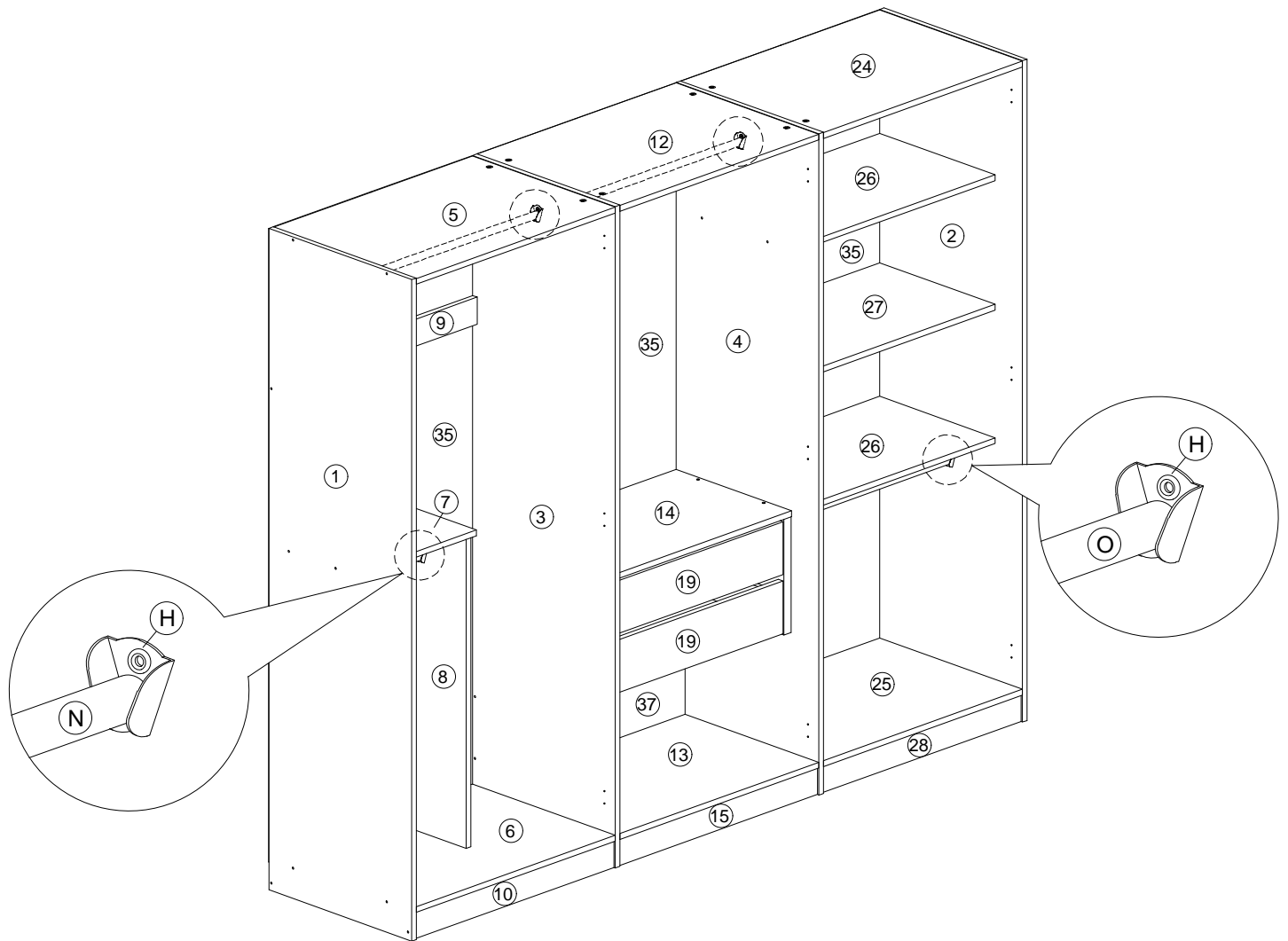


Assembly Instruction

Step 41

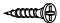
N  Aluminium Pipe 356mm 1Pc


O  Aluminium Pipe 673mm 3Pcs

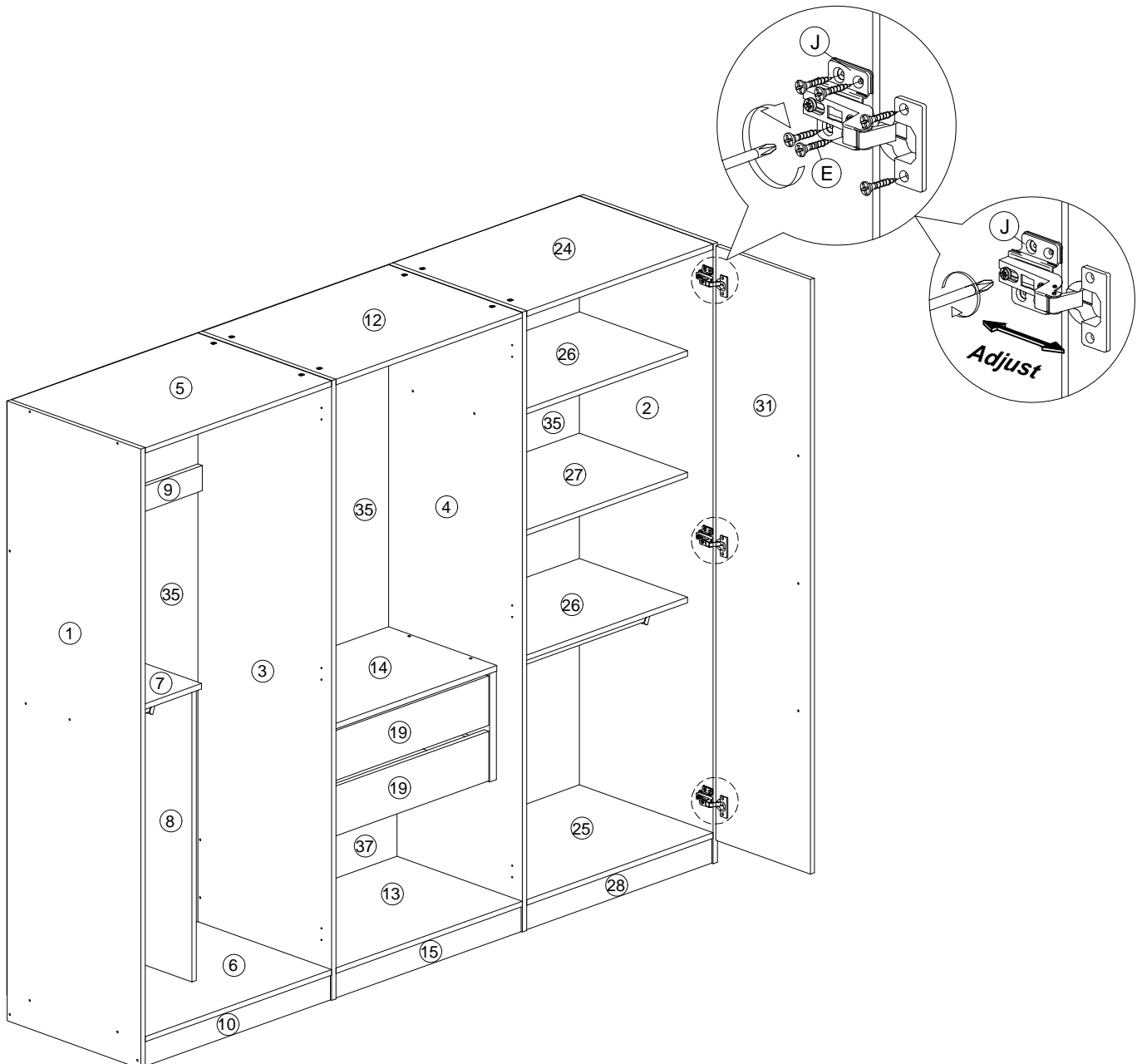


Assembly Instruction

Step 42


E  M3.5x16mm Screw 18Pcs

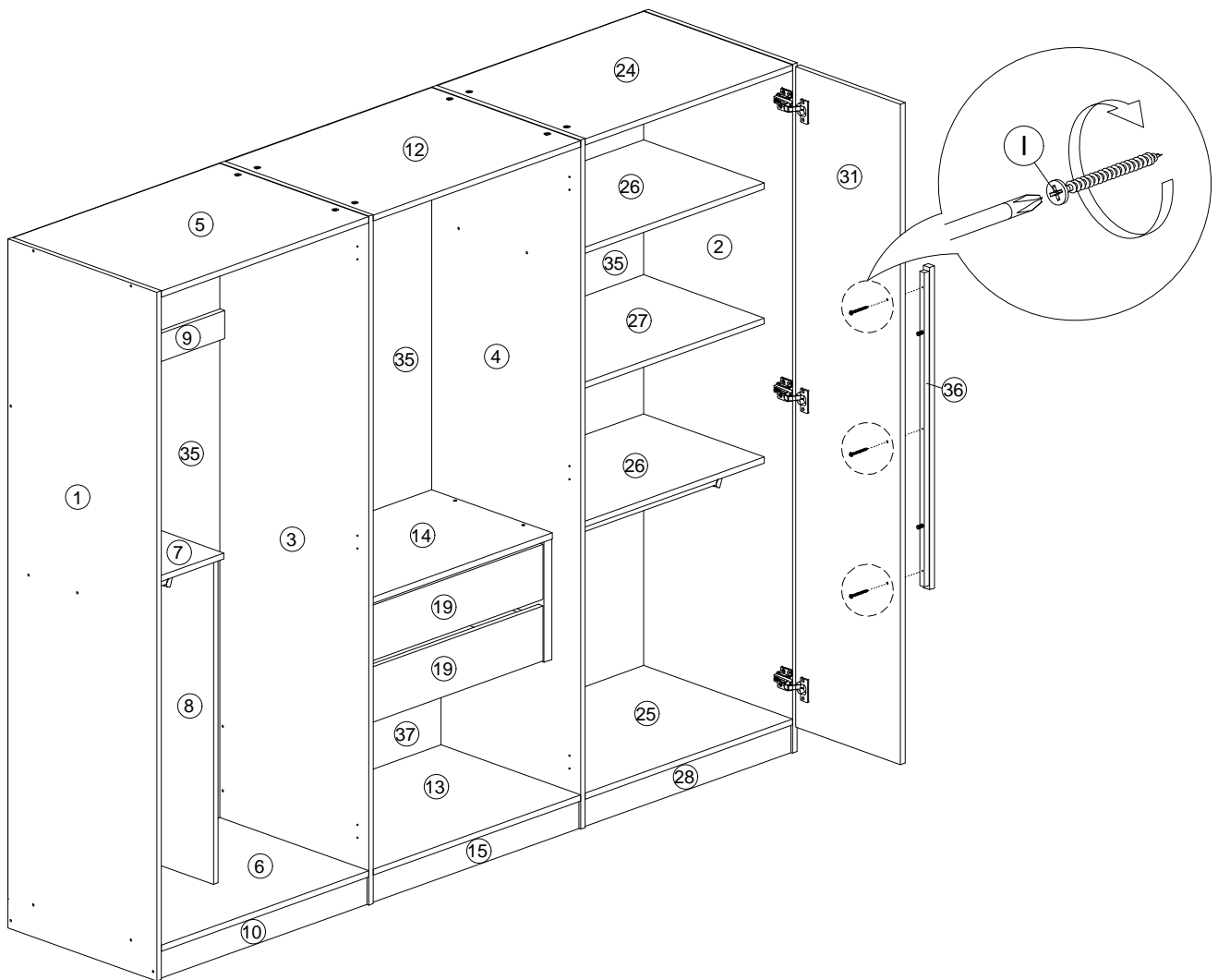
J  Hinges 2/8 3Pcs



Assembly Instruction

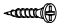
Step 43


| | | | |
|---|---|---------------|------|
| I |  | M4x38mm Screw | 3Pcs |
|---|---|---------------|------|

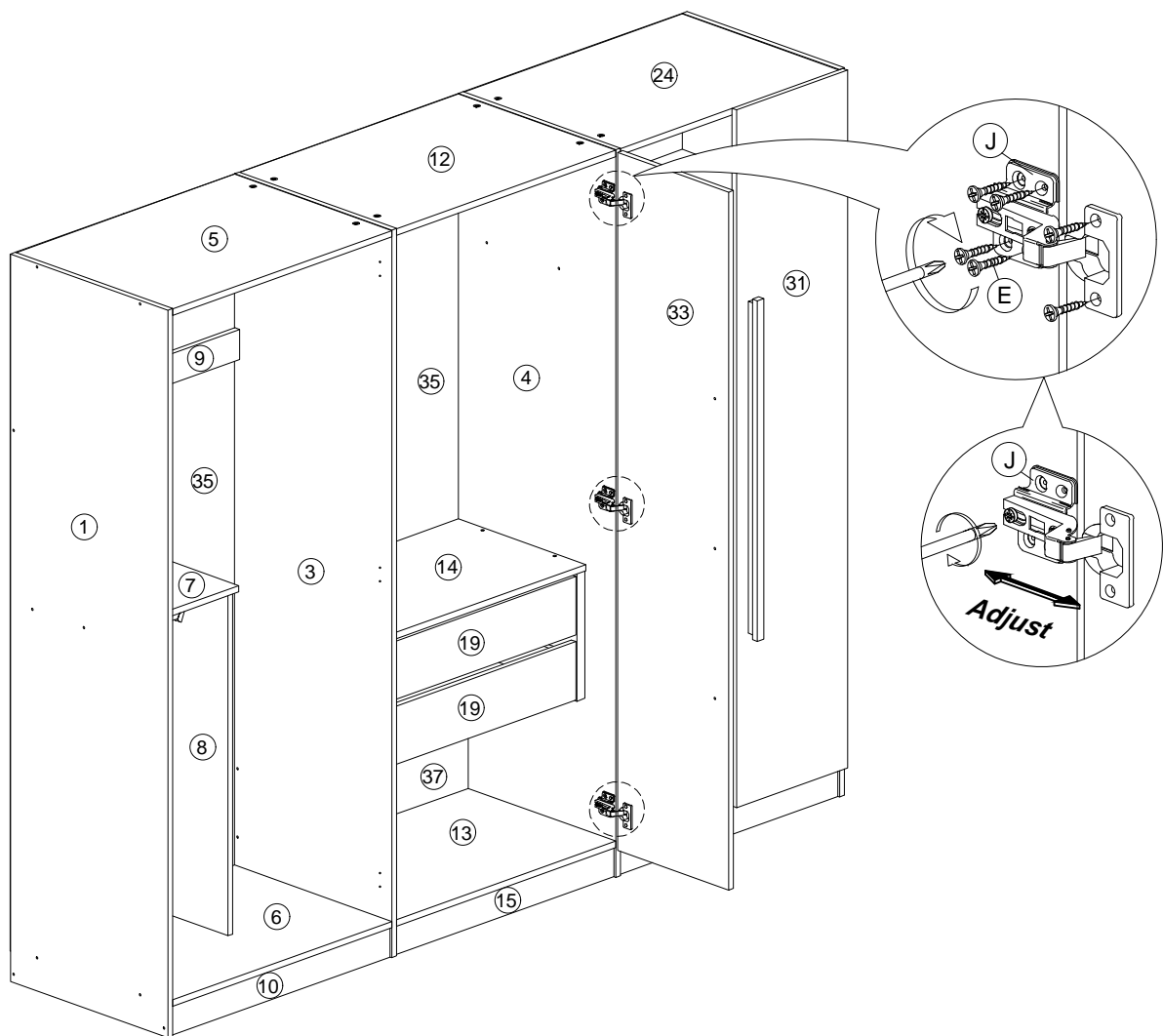


Assembly Instruction

Step 44


E  M3.5x16mm Screw 18Pcs

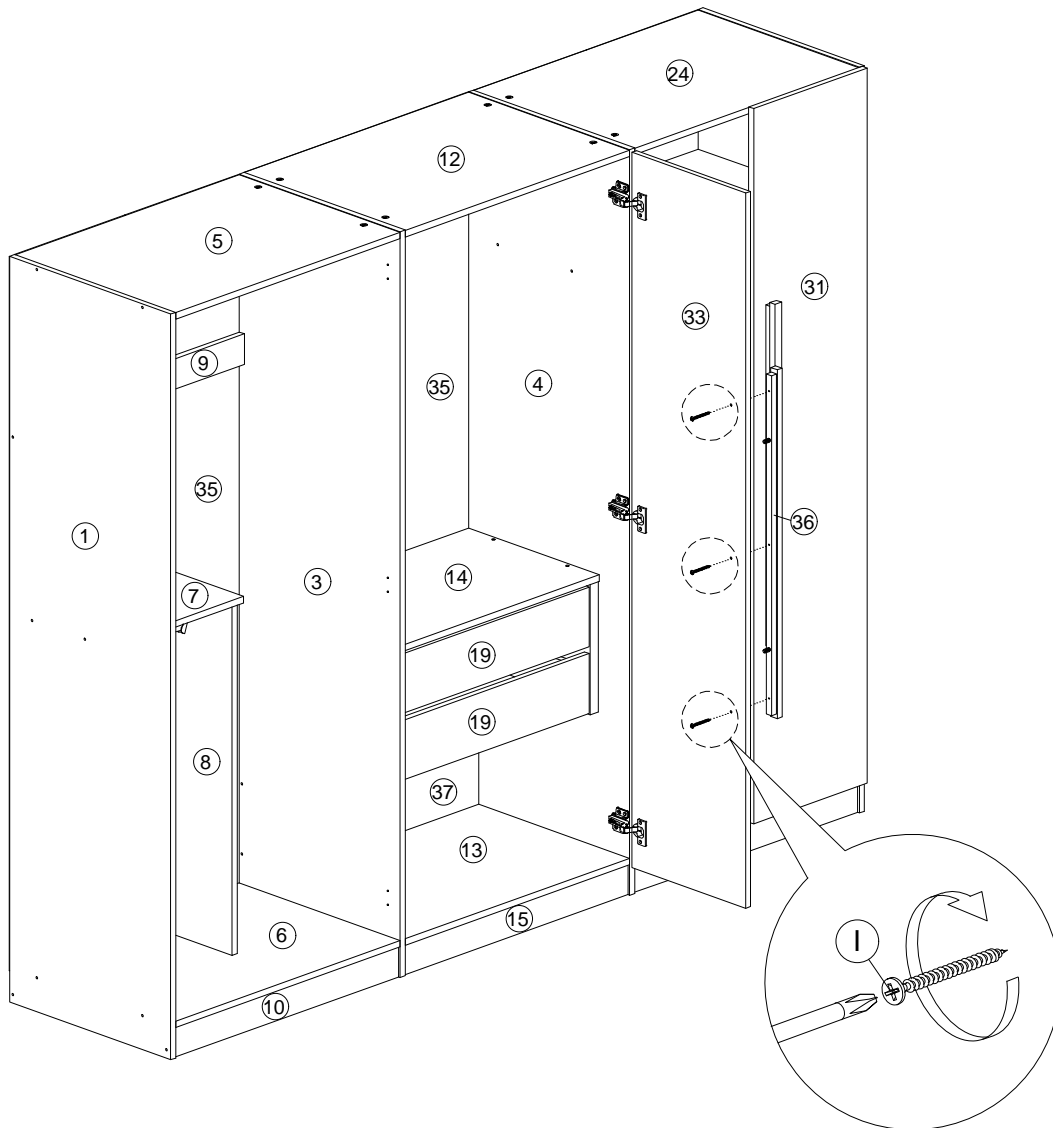
J  Hinges 2/8 3Pcs



Assembly Instruction

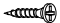
Step 45


| | | | |
|---|---|---------------|------|
| I |  | M4x38mm Screw | 3Pcs |
|---|---|---------------|------|

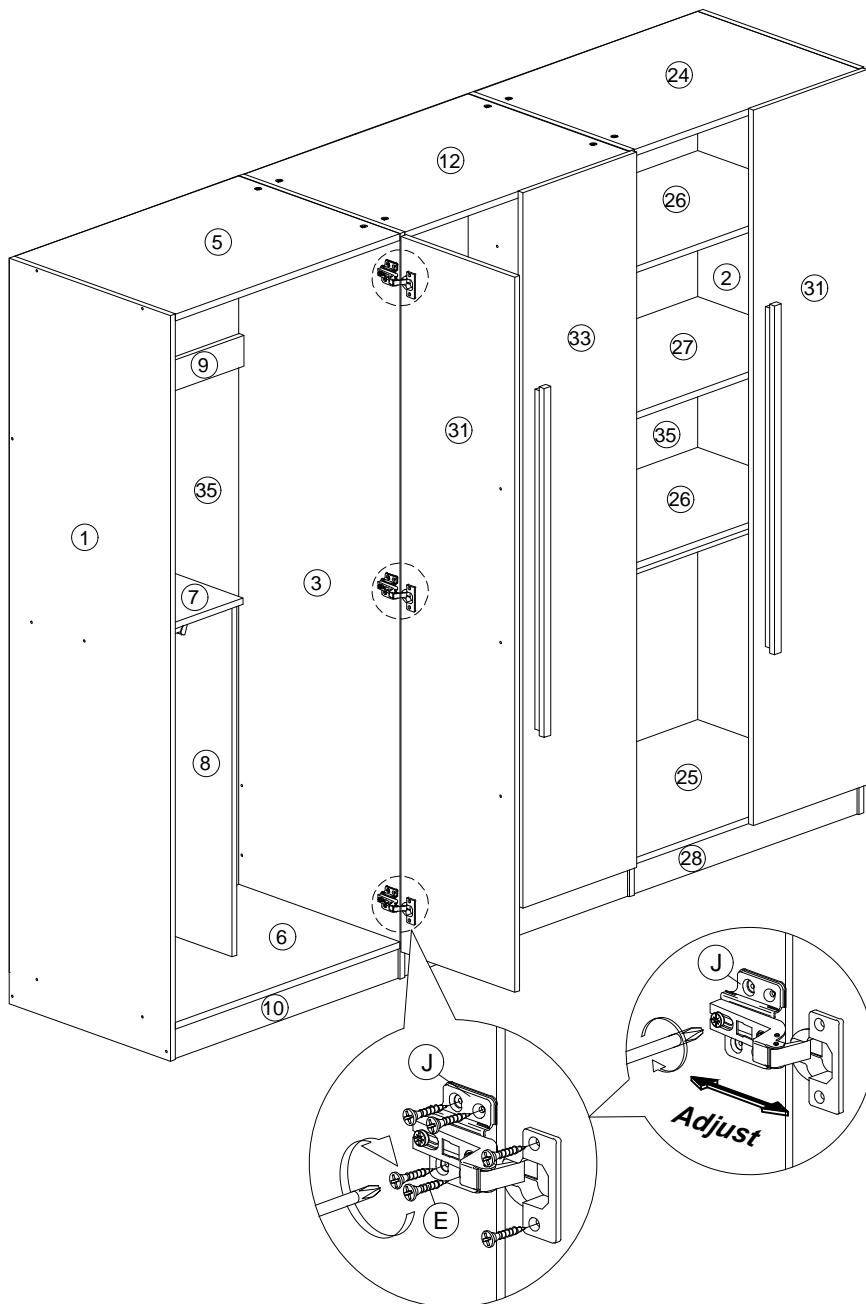


Assembly Instruction

Step 46


E  M3.5x16mm Screw 18Pcs

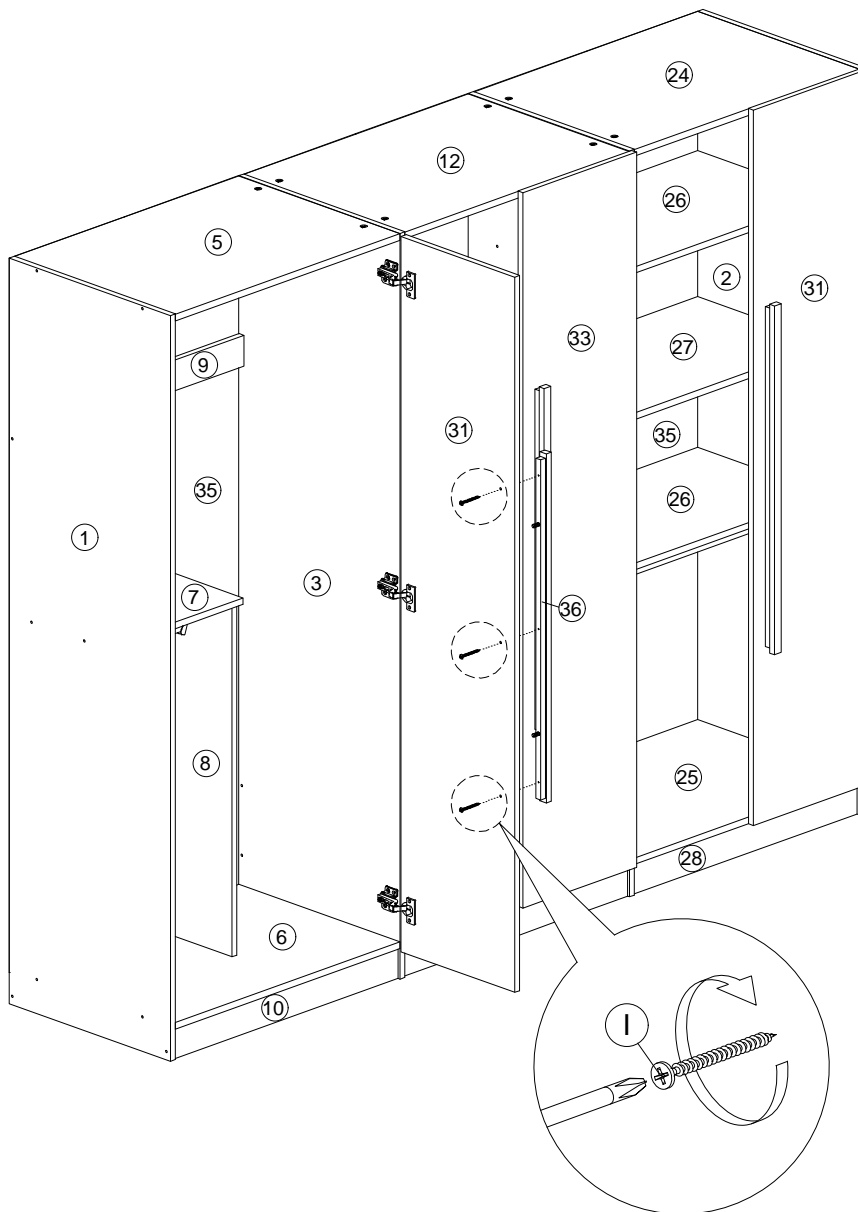
J  Hinges 2/8 3Pcs



Assembly Instruction

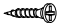
Step 47


| | | | |
|---|---|---------------|------|
| I |  | M4x38mm Screw | 3Pcs |
|---|---|---------------|------|

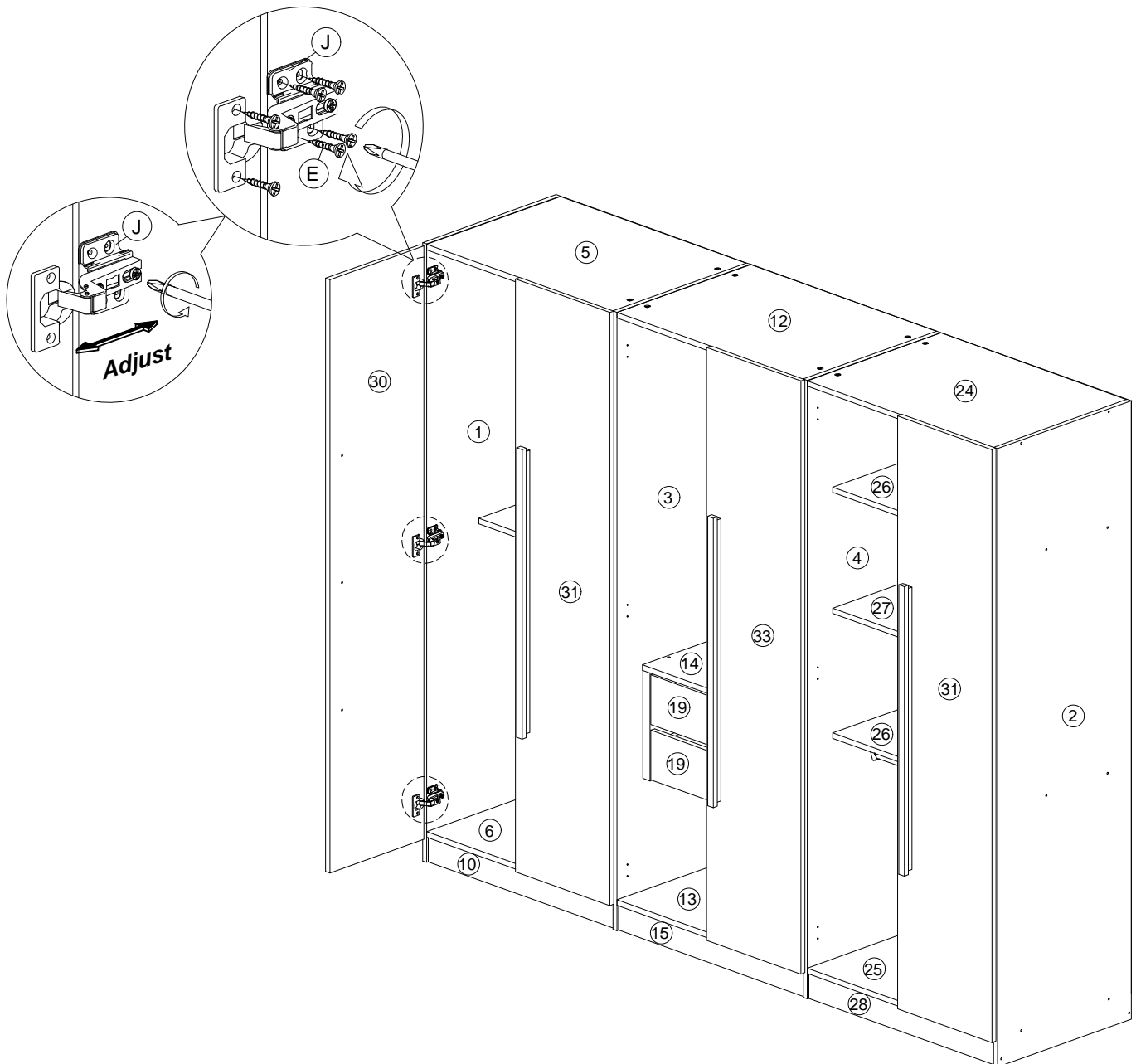


Assembly Instruction

Step 48

E  M3.5x16mm Screw 18Pcs

J  Hinges 2/8 3Pcs



Assembly Instruction

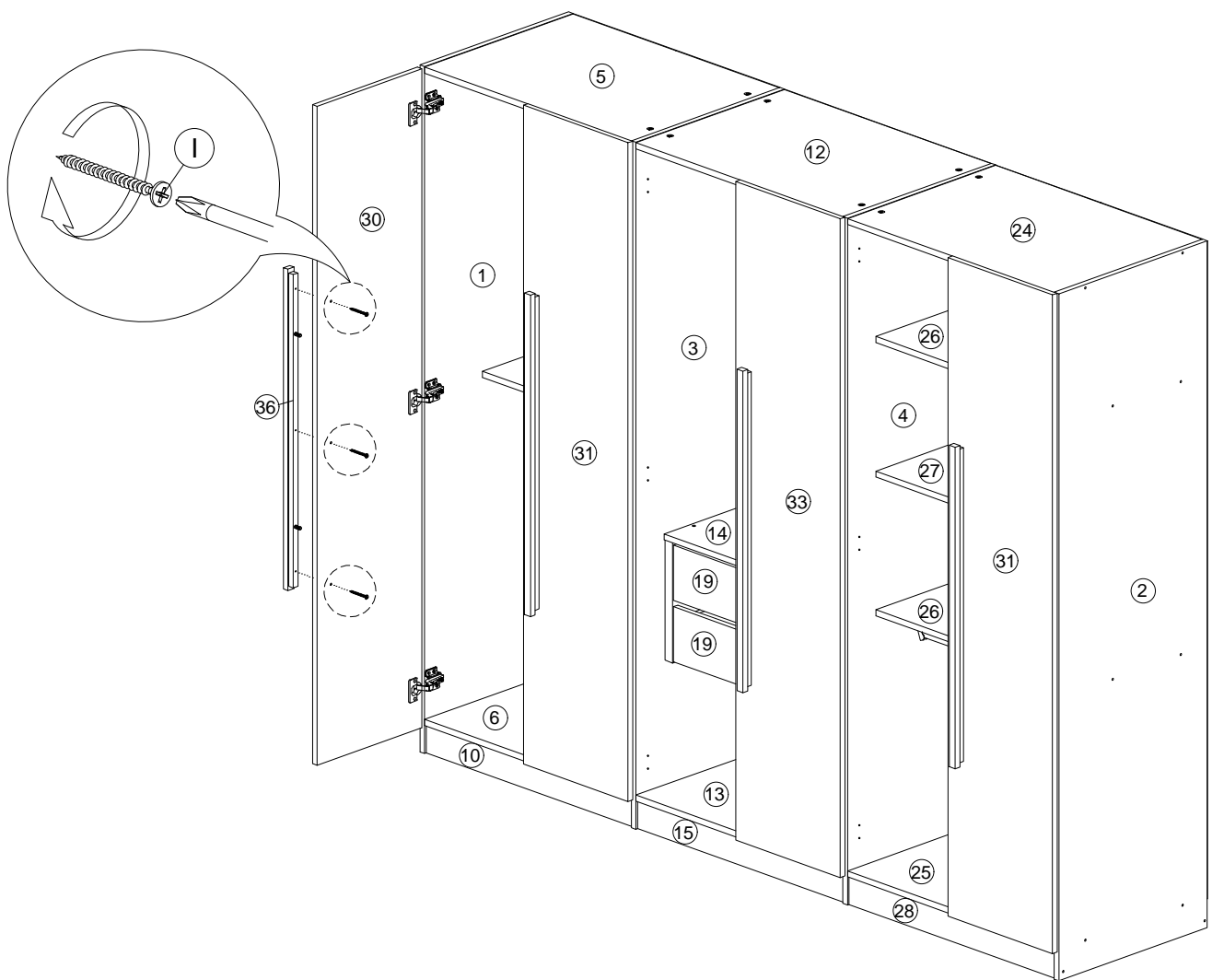
Step 49

I



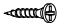
M4x38mm Screw


3Pcs

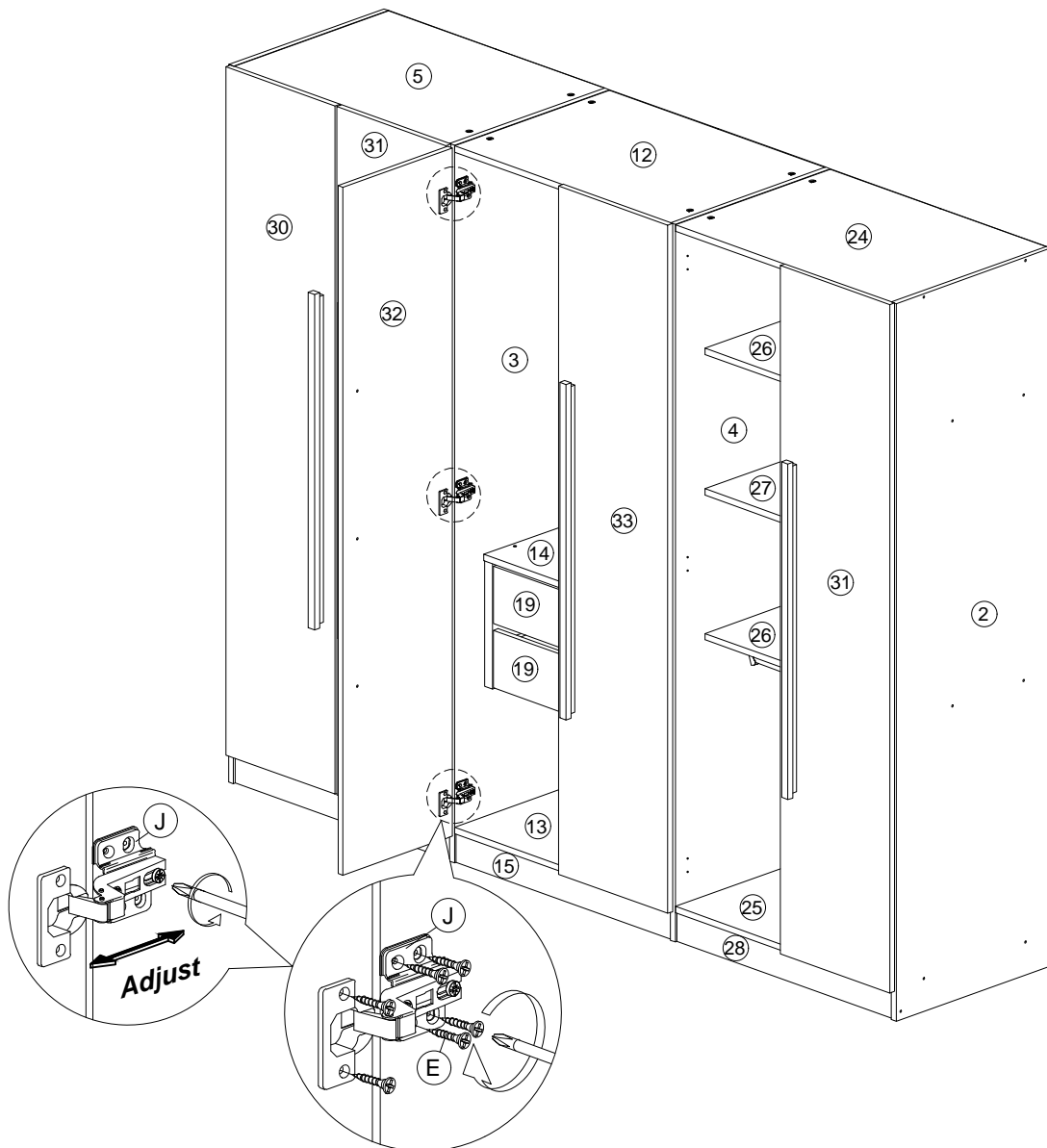


Assembly Instruction

Step 50


| | | | |
|---|---|-----------------|-------|
| E |  | M3.5x16mm Screw | 18Pcs |
|---|---|-----------------|-------|

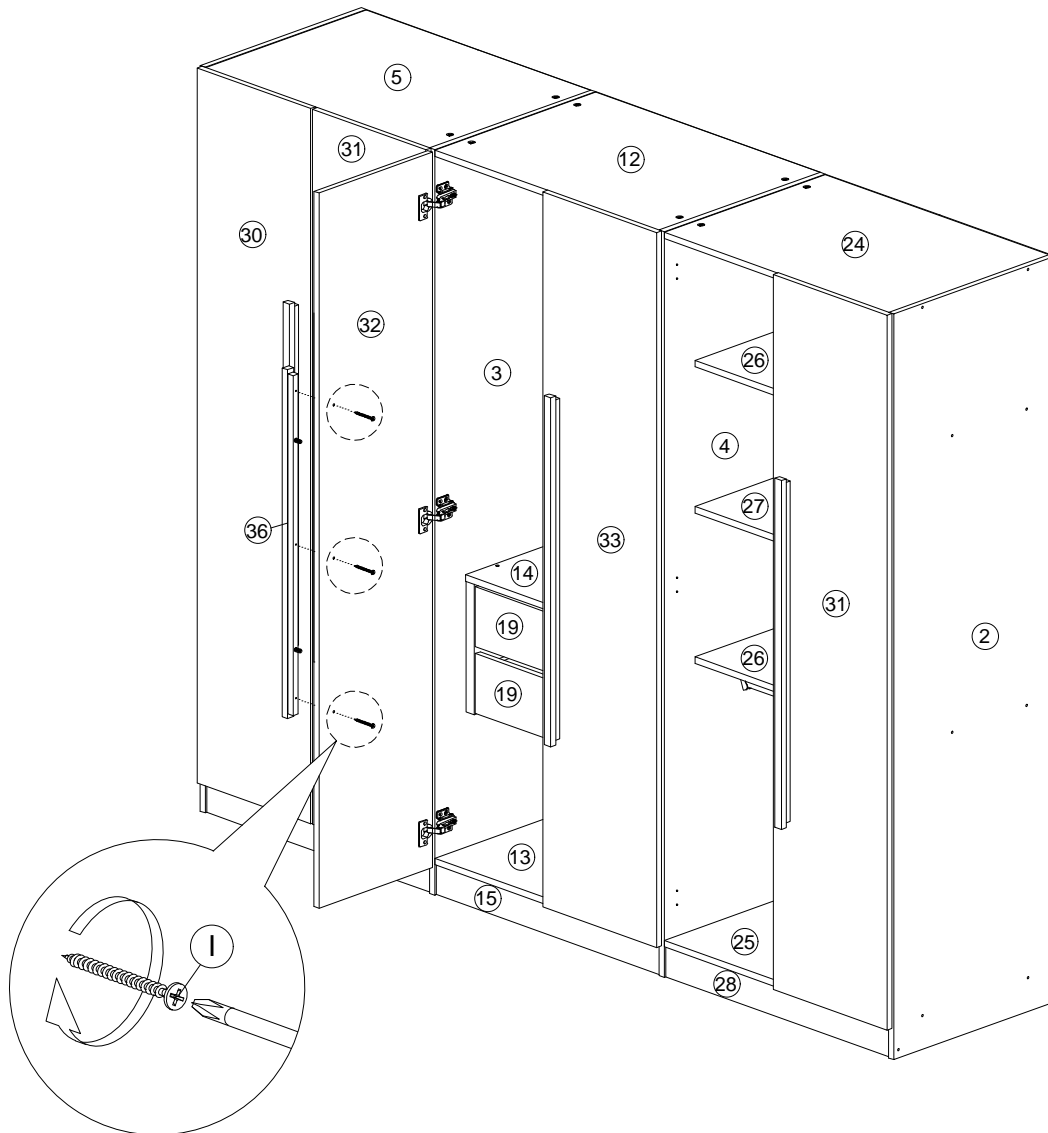
| | | | |
|---|---|------------|------|
| J |  | Hinges 2/8 | 3Pcs |
|---|---|------------|------|



Assembly Instruction

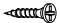
Step 51


| | | | |
|---|---|---------------|------|
| I |  | M4x38mm Screw | 3Pcs |
|---|---|---------------|------|

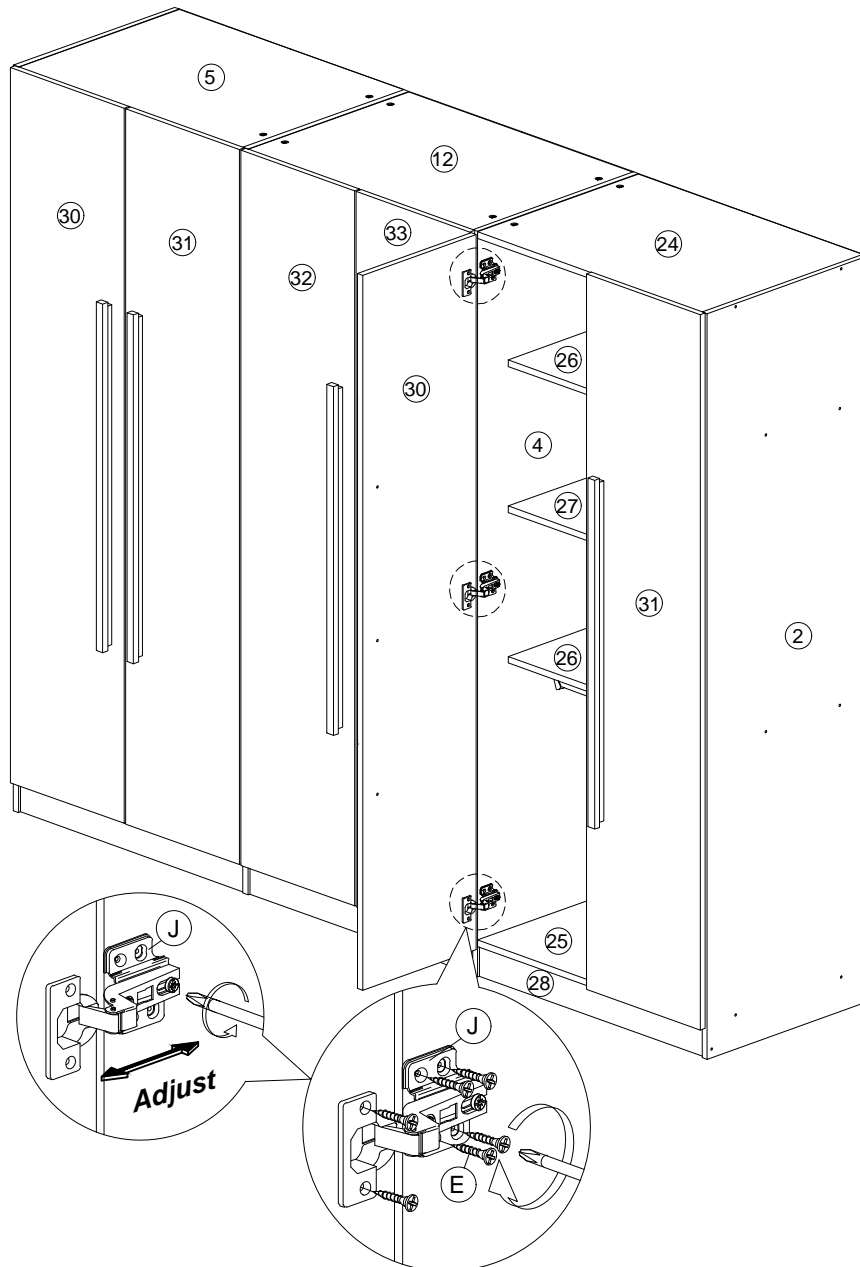


Assembly Instruction

Step 52


E  M3.5x16mm Screw 18Pcs

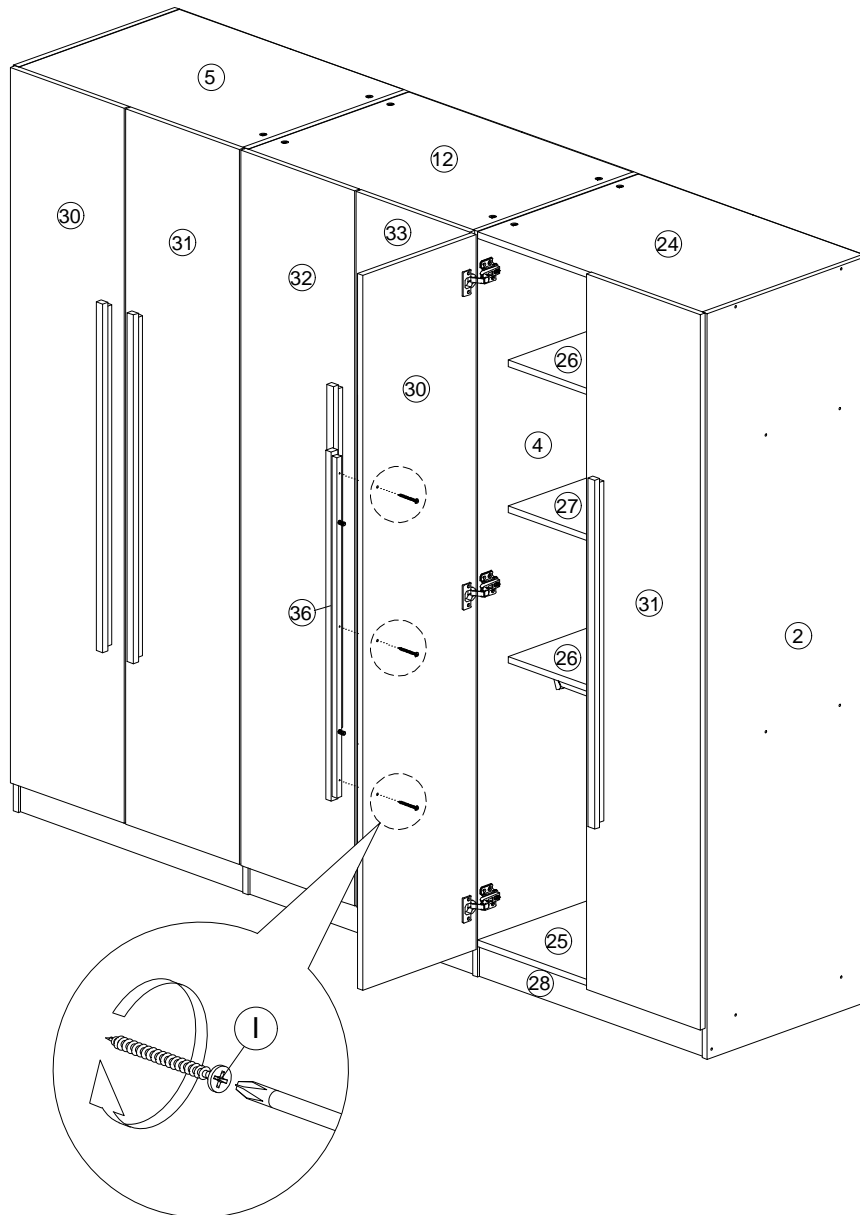
J  Hinges 2/8 3Pcs



Assembly Instruction

Step 53

| | | | |
|---|---|---------------|------|
| I |  | M4x38mm Screw | 3Pcs |
|---|---|---------------|------|



FITTING OF ANTI-TIP SAFETY STRAP

STEP 1:

- Attach the mounting bracket (a) to the furniture in the solid part below the top panel a few inches away from the side of the unit.
- Screw (b) through the smallest hole of (a).

STEP 2:

- Locate a stud in behind the have to
- Place the other mounting bracket (a) on the wall stud 2 inches below the mounting bracket secured to the back of your unit.
- Attach to the wall stud using (c) through the smaller hole of (a).

STEP 3:

- Repeat the same step a few inches away from the other side of the unit.
- Place the furniture into position so both mounting brackets are vertically in line.
- Lace the end of the restraint strap through the larger holes in each mounting bracket.
- Secure the straps and lock into place.

