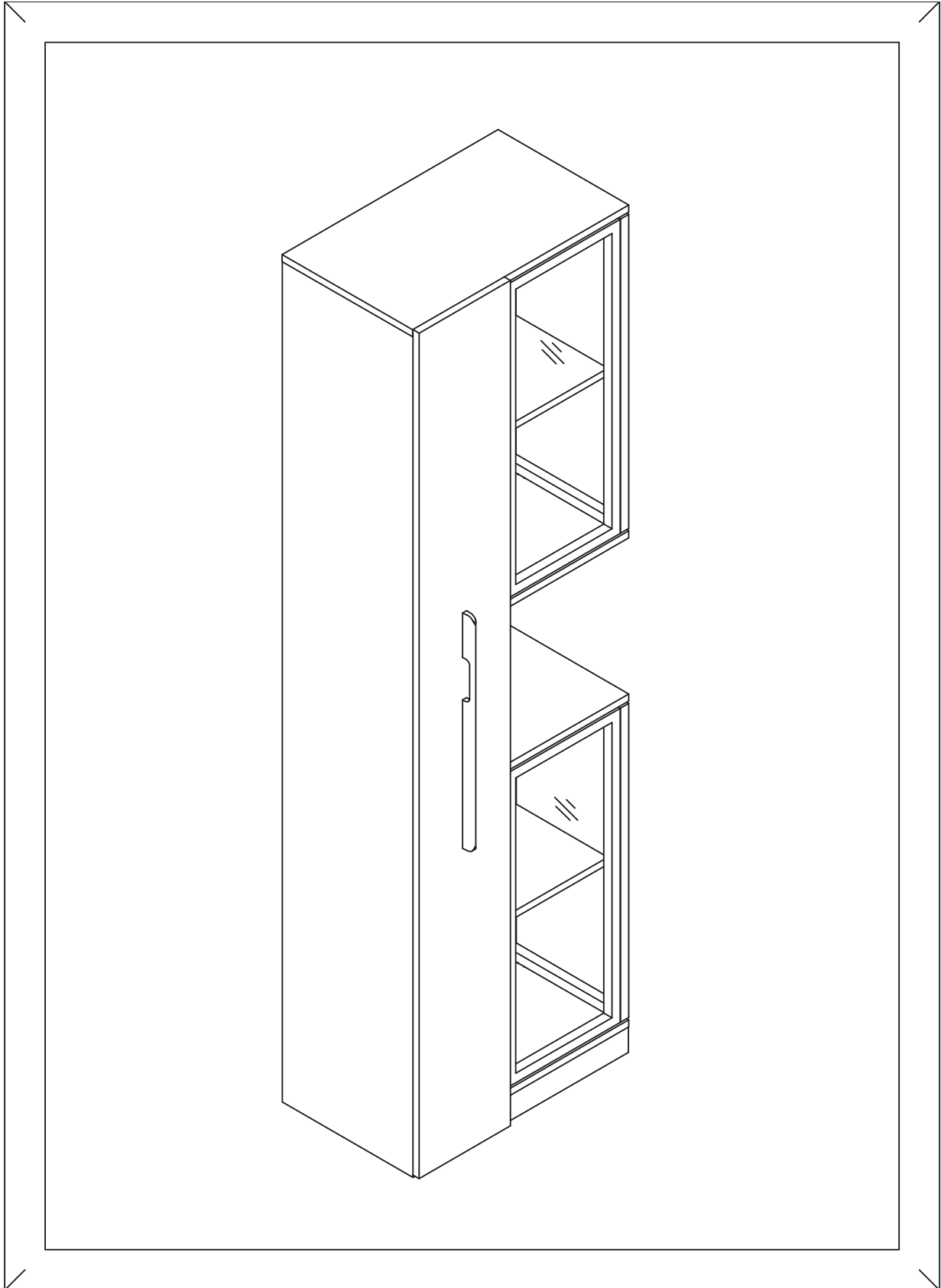
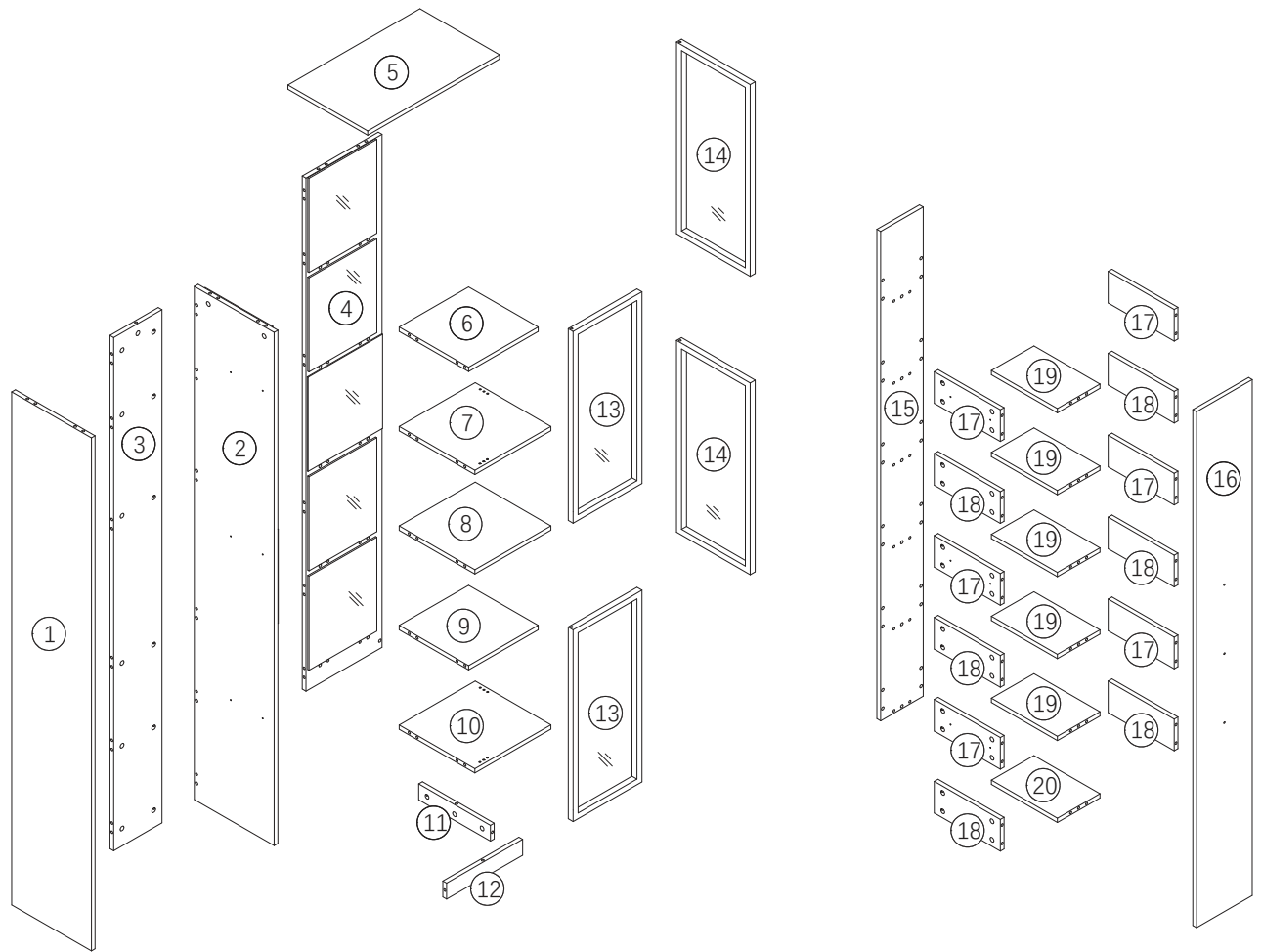


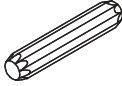
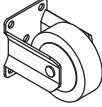
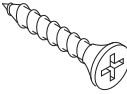
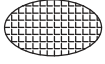

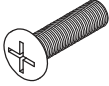
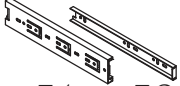
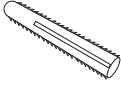
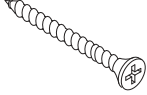
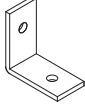
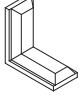
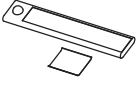
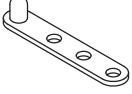
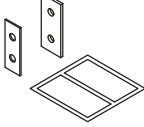



ASSEMBLY INSTRUCTIONS





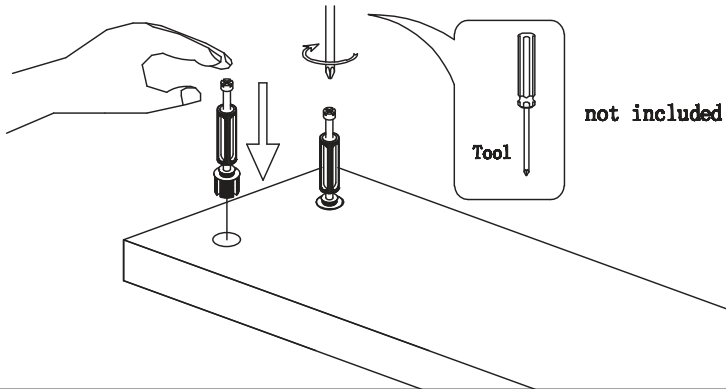
<p>A</p>  <p>110PCS</p>	<p>B</p>  <p>110PCS</p>	<p>C</p> <p>8*40</p>  <p>66PCS</p>	<p>D</p>  <p>4PCS</p>	<p>E</p> <p>3.5*14</p>  <p>42PCS</p>	<p>F</p>  <p>48PCS</p>
<p>G</p>  <p>1PCS</p>	<p>H</p> <p>4*20</p>  <p>3PCS</p>	<p>I</p> <p>I1 I2</p>  <p>6PCS</p>	<p>J</p> <p>6*30</p>  <p>2PCS</p>	<p>K</p> <p>3.5*35</p>  <p>2PCS</p>	<p>L</p>  <p>2PCS</p>
<p>M</p>  <p>2PCS</p>	<p>N</p>  <p>5PCS</p>	<p>O</p>  <p>8PCS</p>	<p>P</p>  <p>2PCS</p>	<p>Q</p> <p>3*14</p>  <p>24PCS</p>	



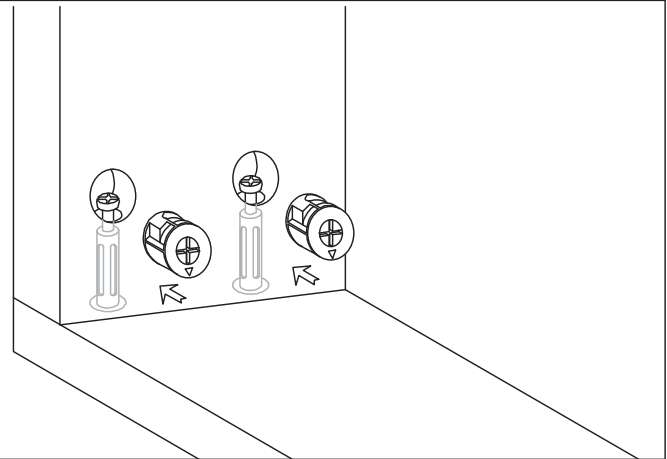
Hardware installation demonstration

NOTE: Please make sure "A" hardware tightened and can't be pulled out!

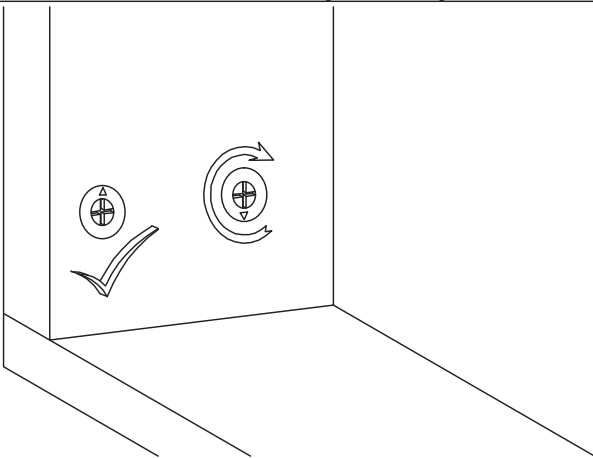
I



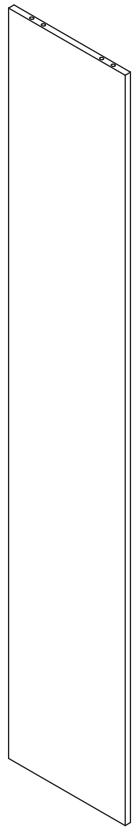
II



III

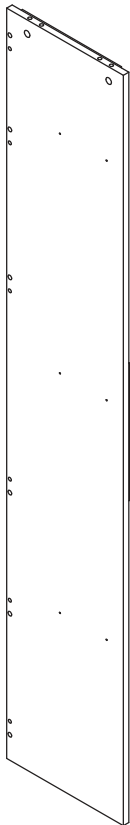


1



1785*320

2



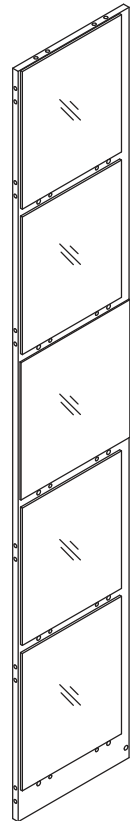
1785*320

3



1785*194

4



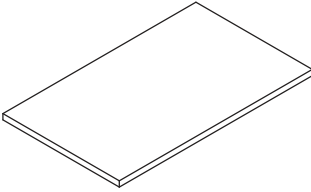
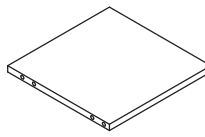
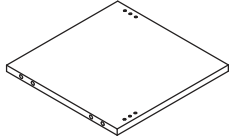
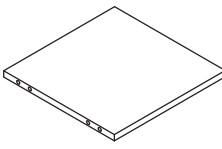
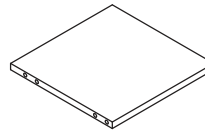
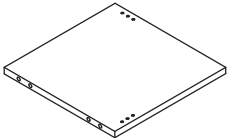
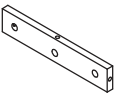
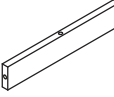
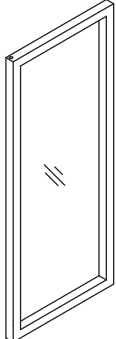
1785*305

1pc

1pc

1pc

1pc

<p>5</p> <p>530*320</p>  <p>1pc</p>	<p>6</p> <p>279*279</p>  <p>1pc</p>	<p>7</p> <p>305*304</p>  <p>1pc</p>
<p>8</p> <p>305*304</p>  <p>1pc</p>	<p>9</p> <p>279*279</p>  <p>1pc</p>	<p>10</p> <p>305*304</p>  <p>1pc</p>
<p>11</p> <p>288*55</p>  <p>1pc</p>	<p>12</p> <p>305*55</p>  <p>1pc</p>	<p>13</p> <p>670*274</p>  <p>2pcs</p>

15

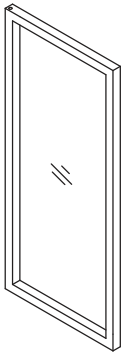
1702*171

16

1795*224

14

670*296



2pcs



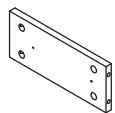
1pc



1pc

17

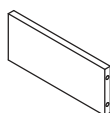
265*110



6pcs

18

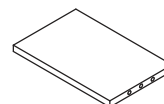
265*110



6pcs

19

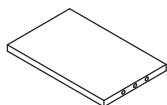
265*171



5pcs

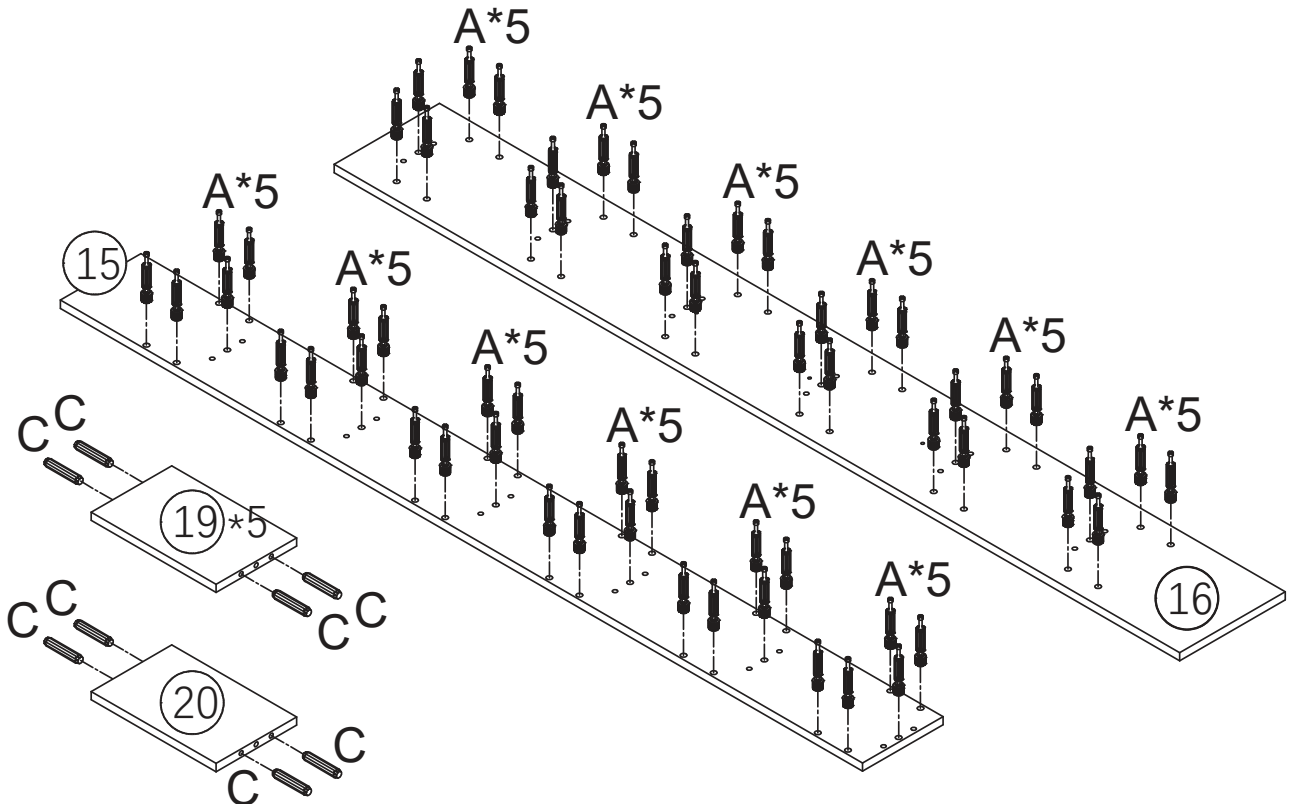
20

265*171



1pc

1

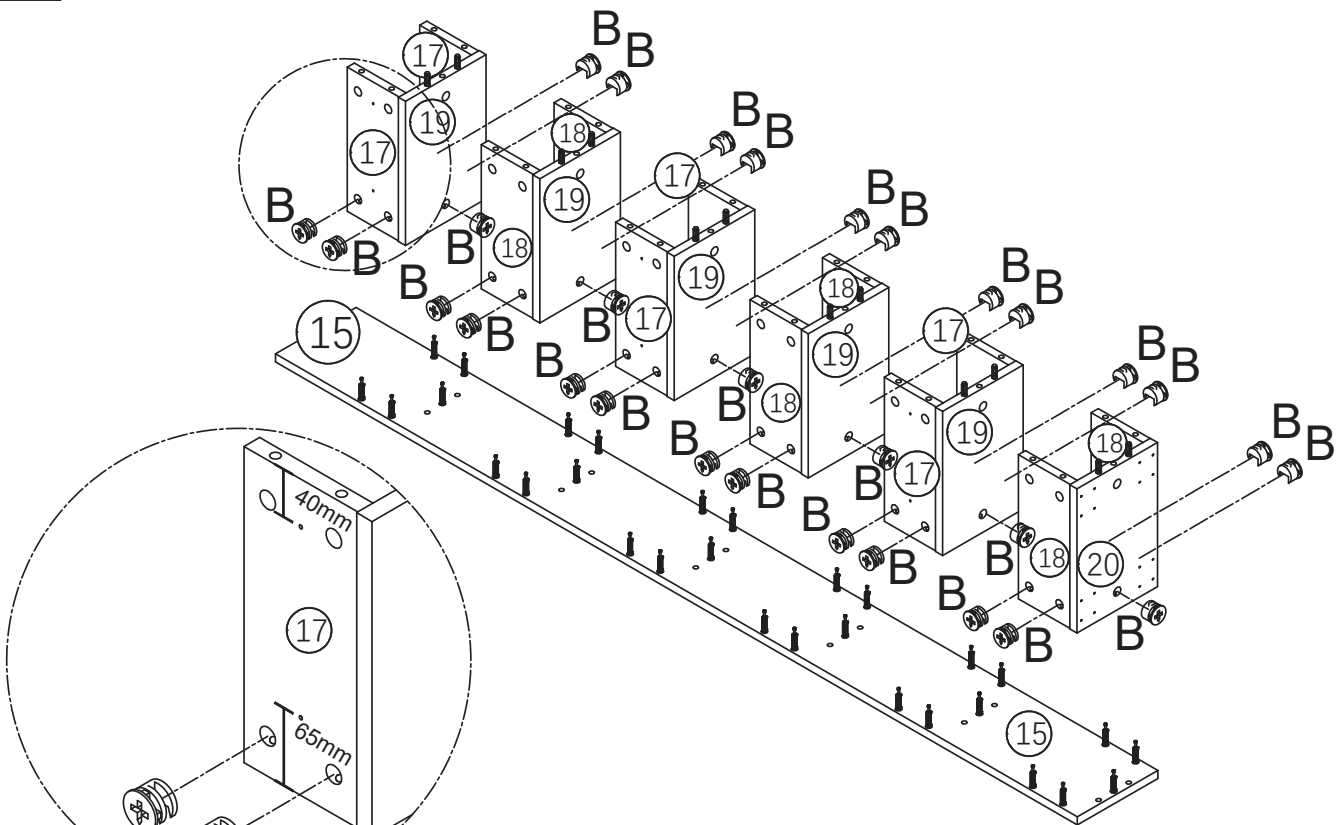


Put A on 15 16

Put C on 19 20

A*60 C*24

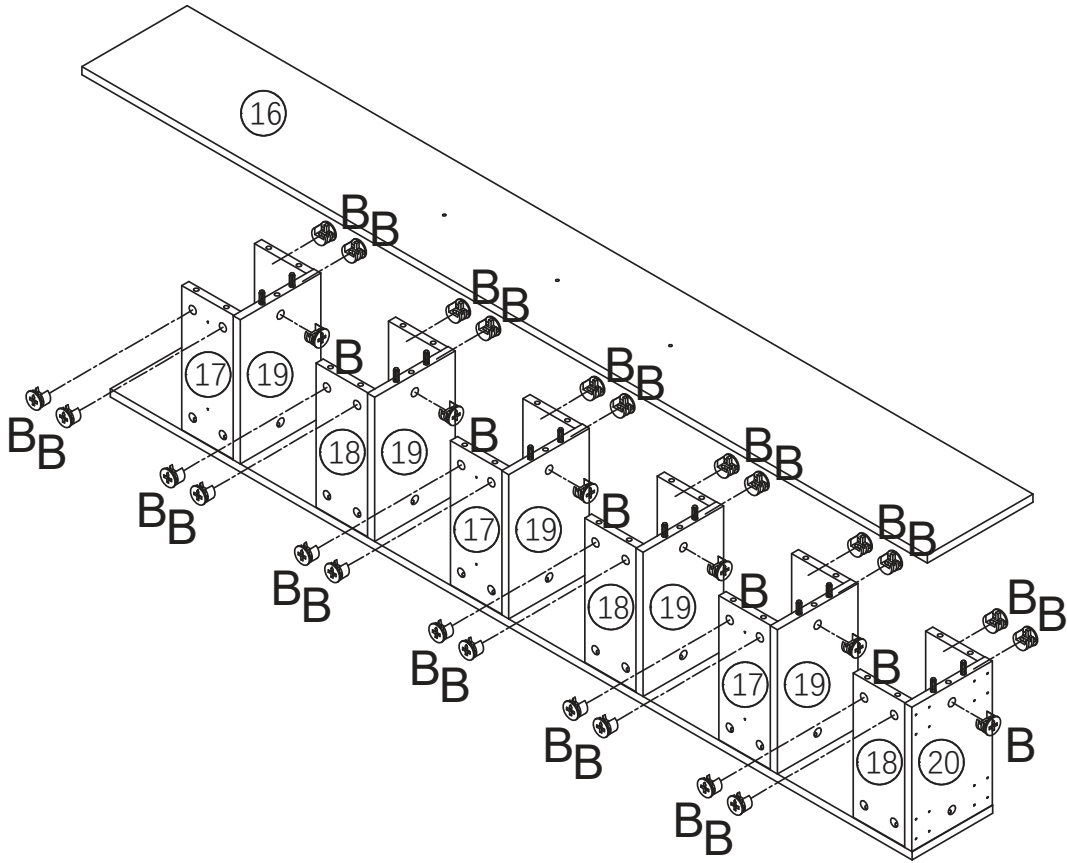
2



Put B on 17 18 19 20

B*30

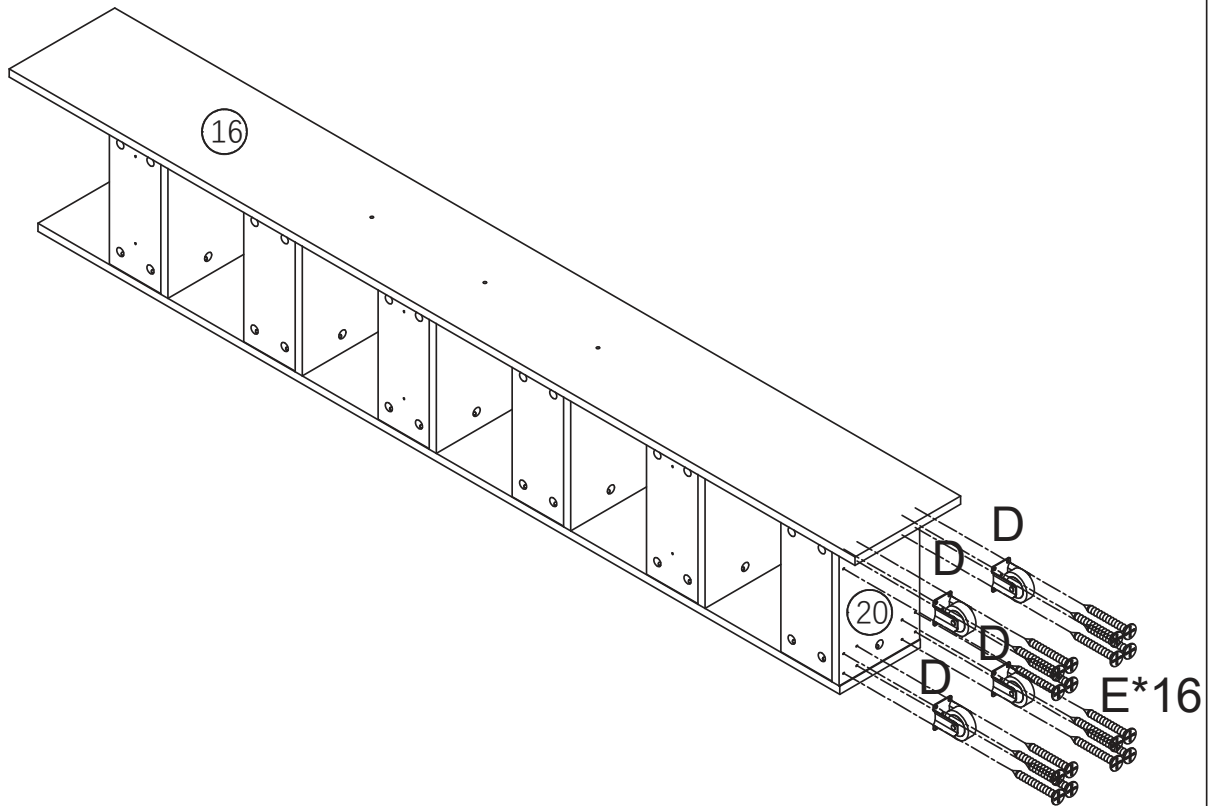
3



Put B on (17) (18) (19) (20)

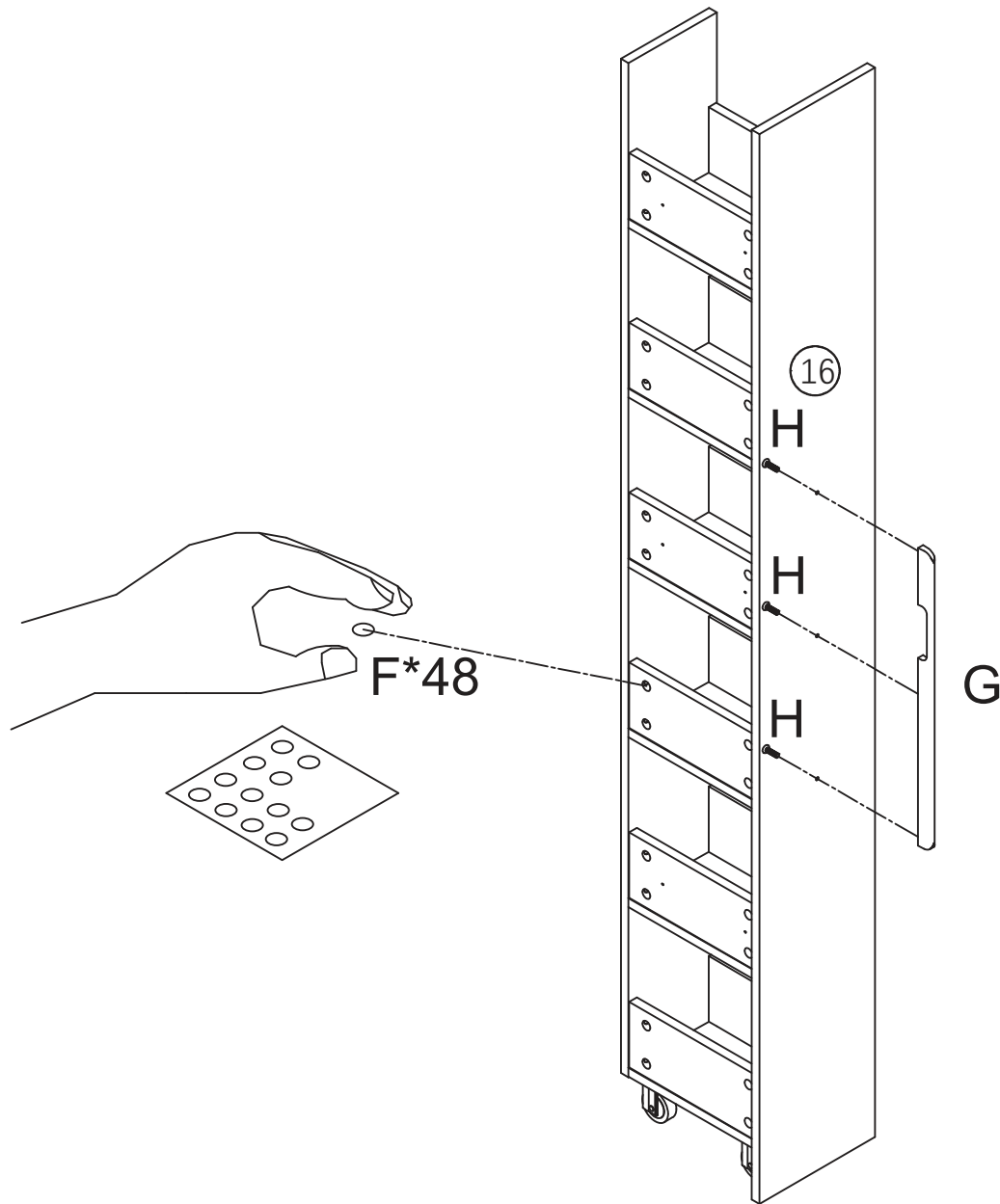
B*30

4



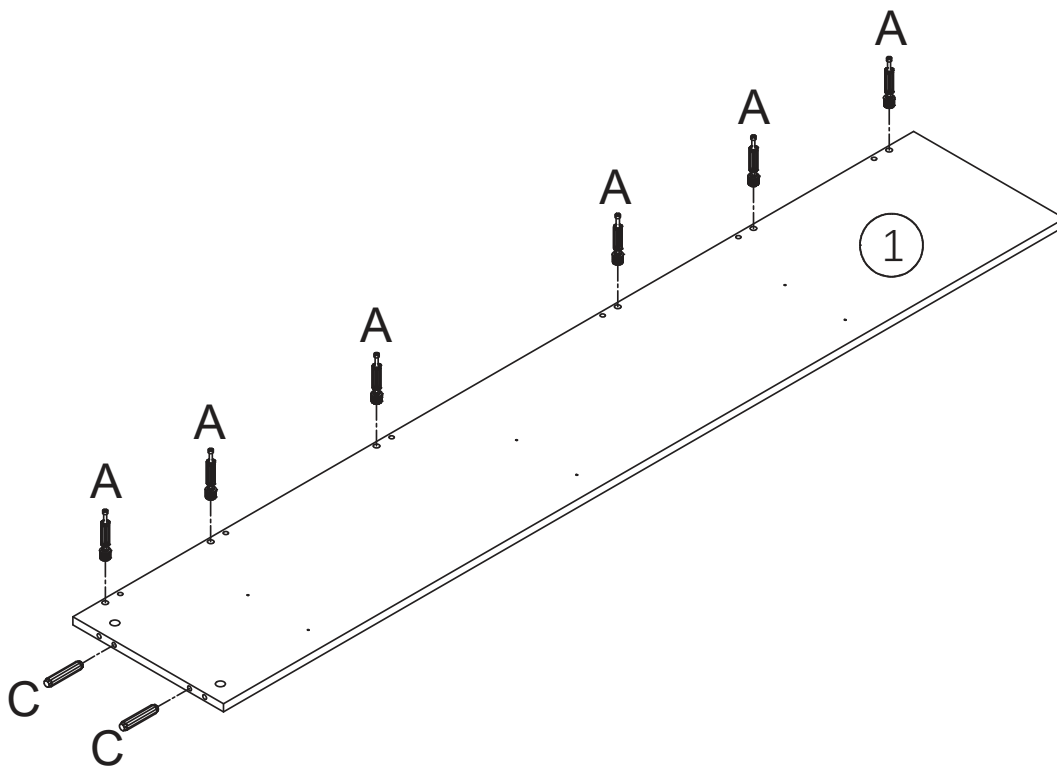
D*4 E*16

5



F*48 G*1 H*3

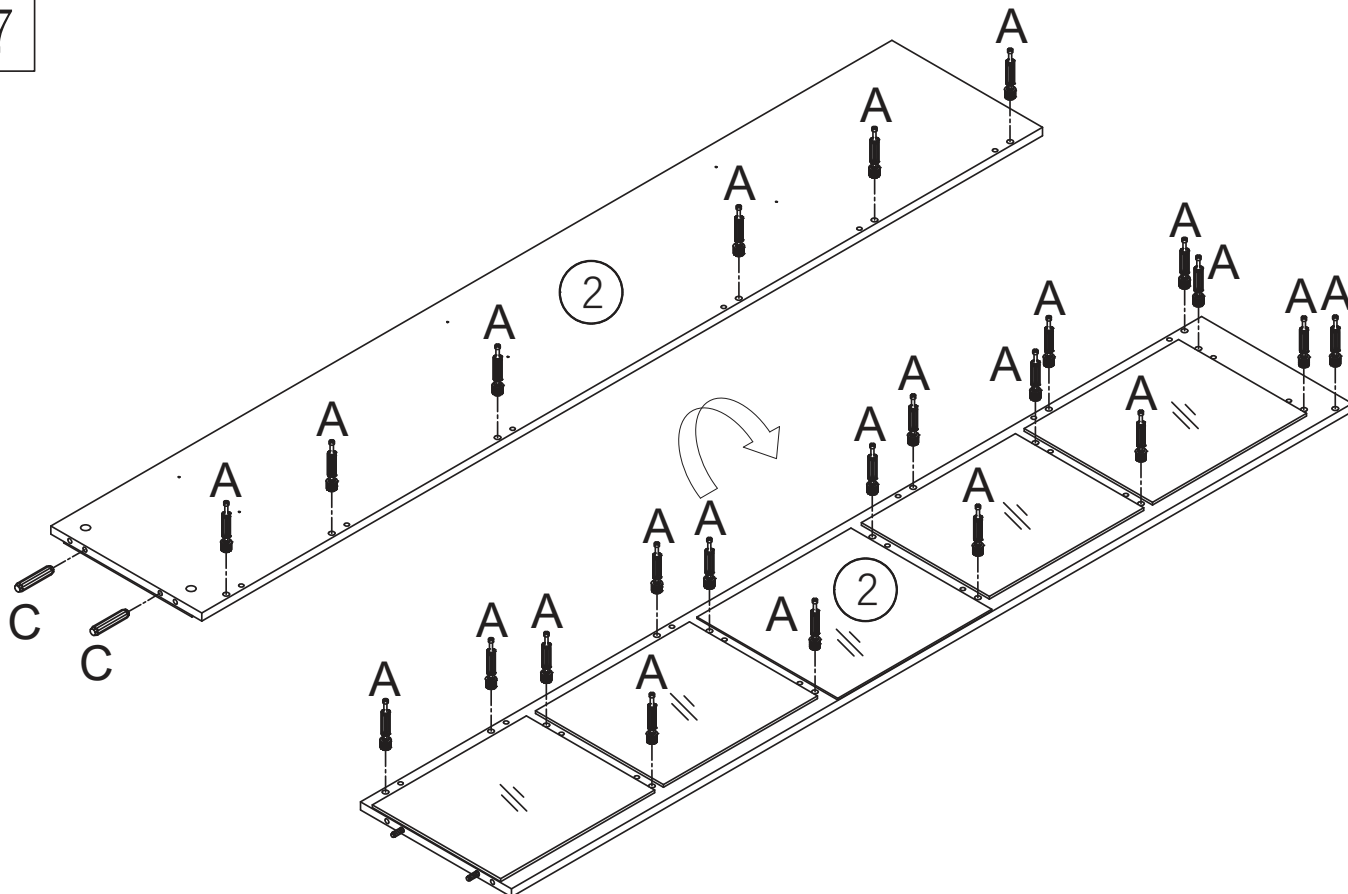
6



Put A on ① Put C on ①

A*6 C*2

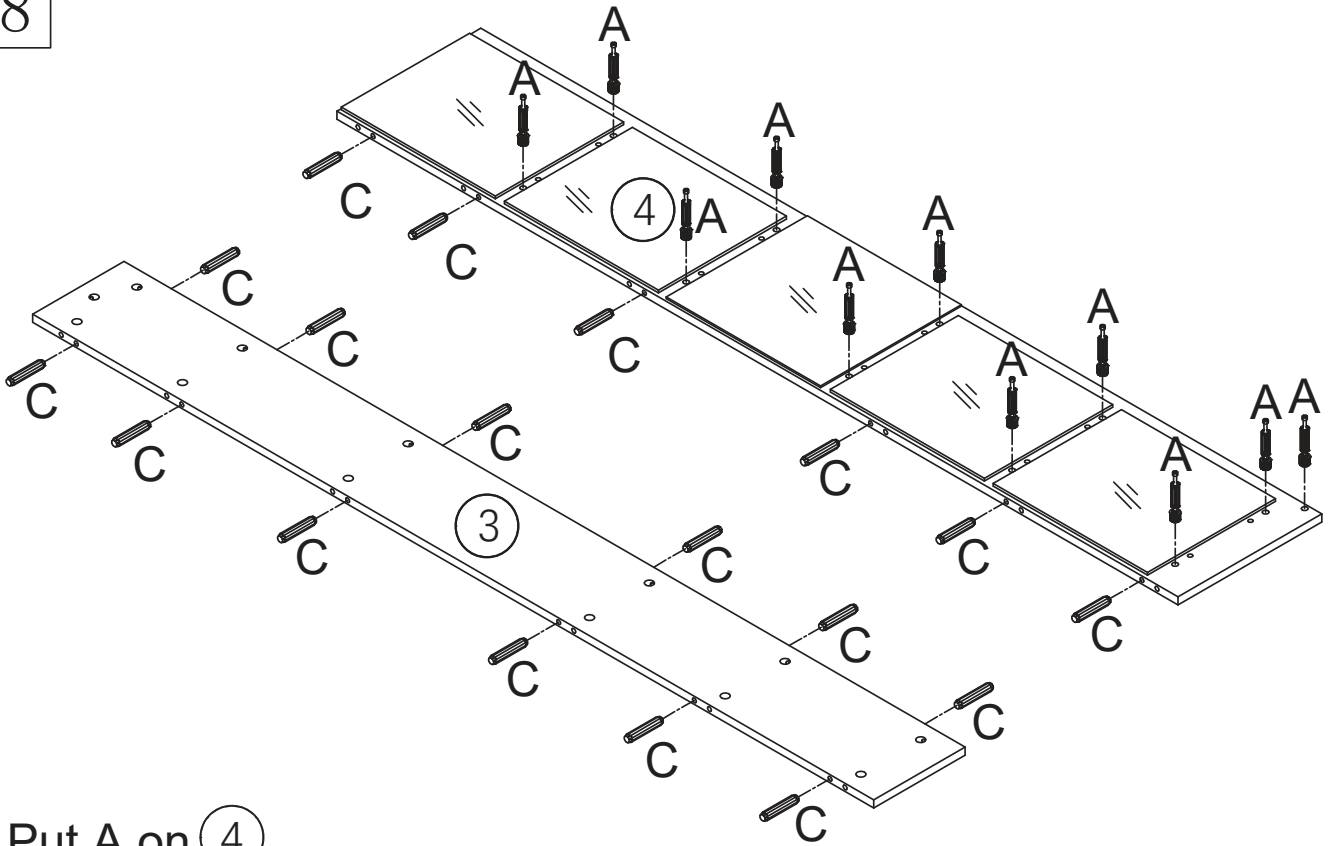
7



Put A on ② Put C on ②

A*23 C*2

8

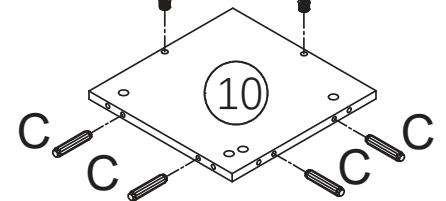
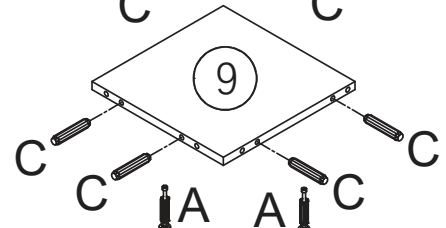
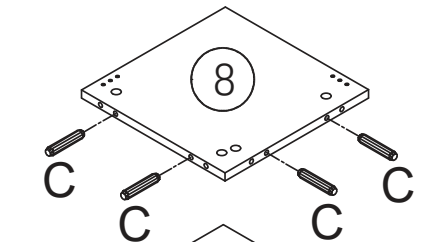
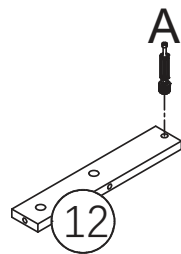
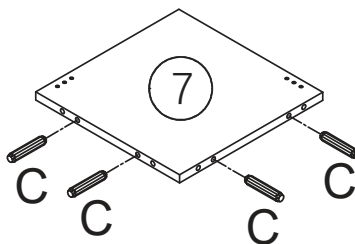
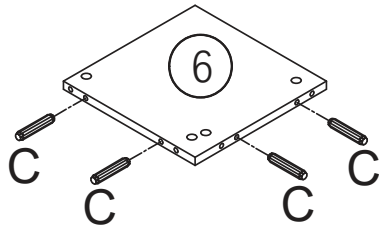
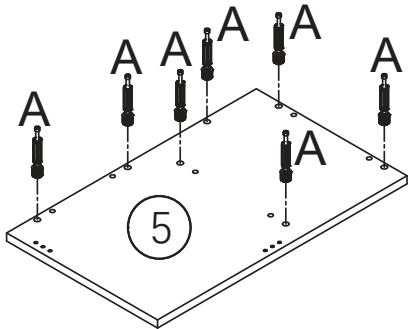


Put A on (4)

Put C on (3) (4)

A*11 C*18

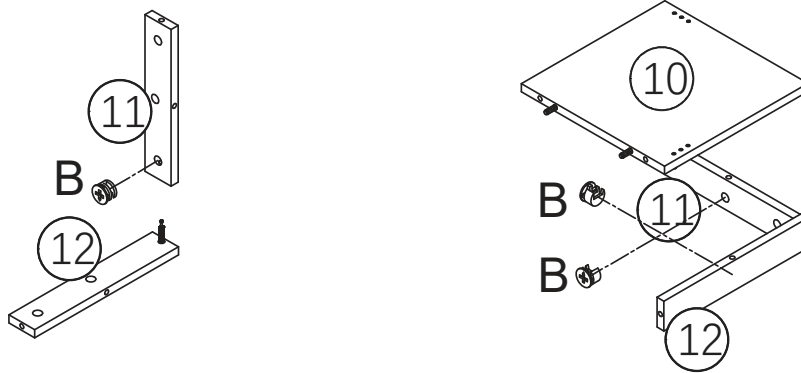
9



Put A on (5) (10) (12) Put C on (6) (7) (8) (9) (10)

A*10 C*20

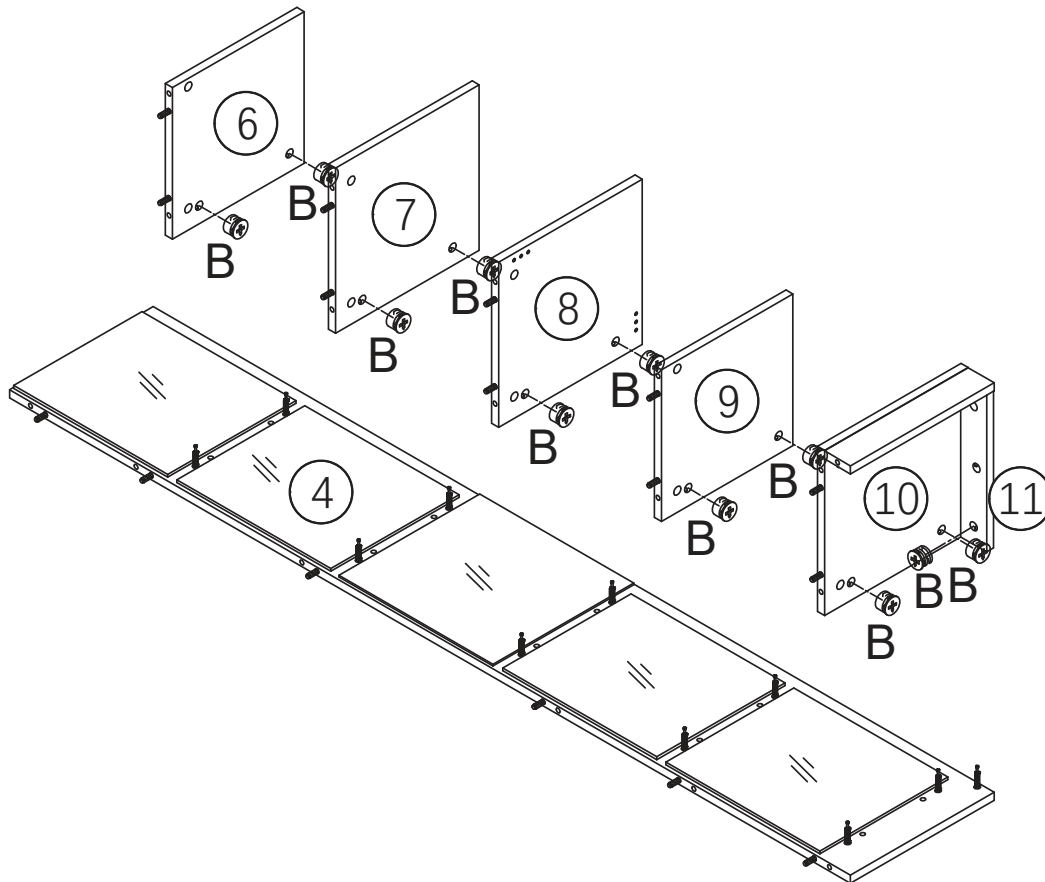
10



Put B on (11) (12)

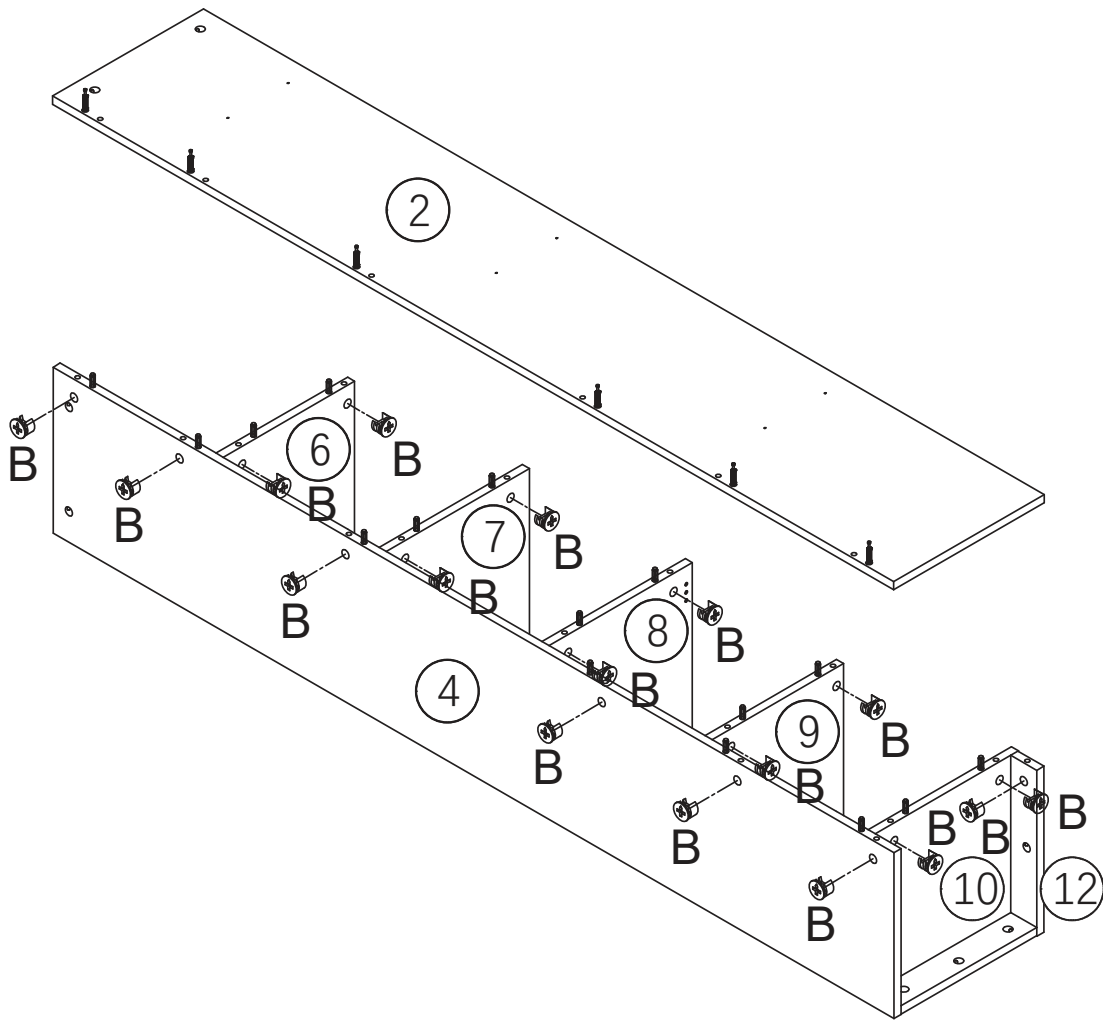
B*3

11



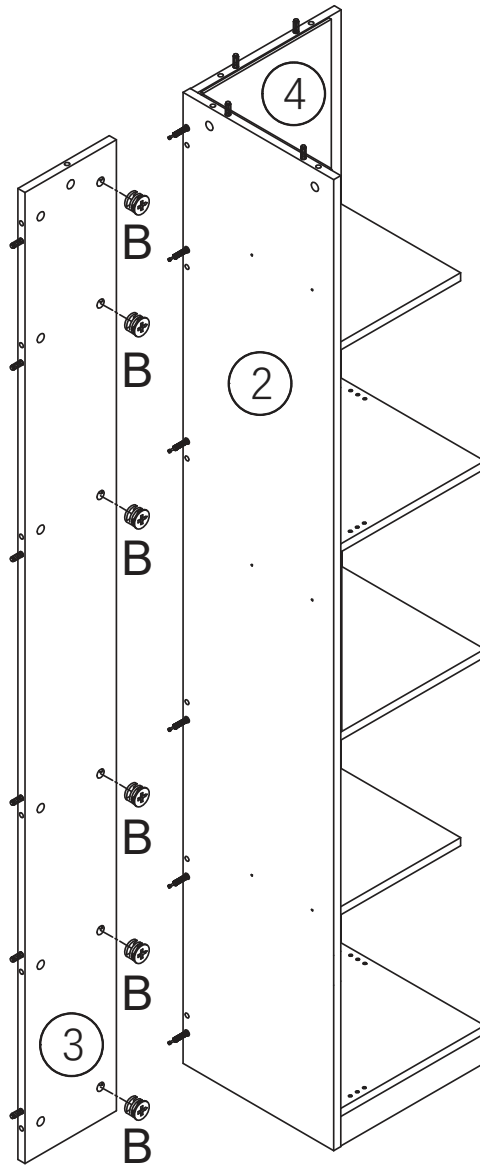
Put B on (6) (7) (8) (9) (10) (11)

B*11



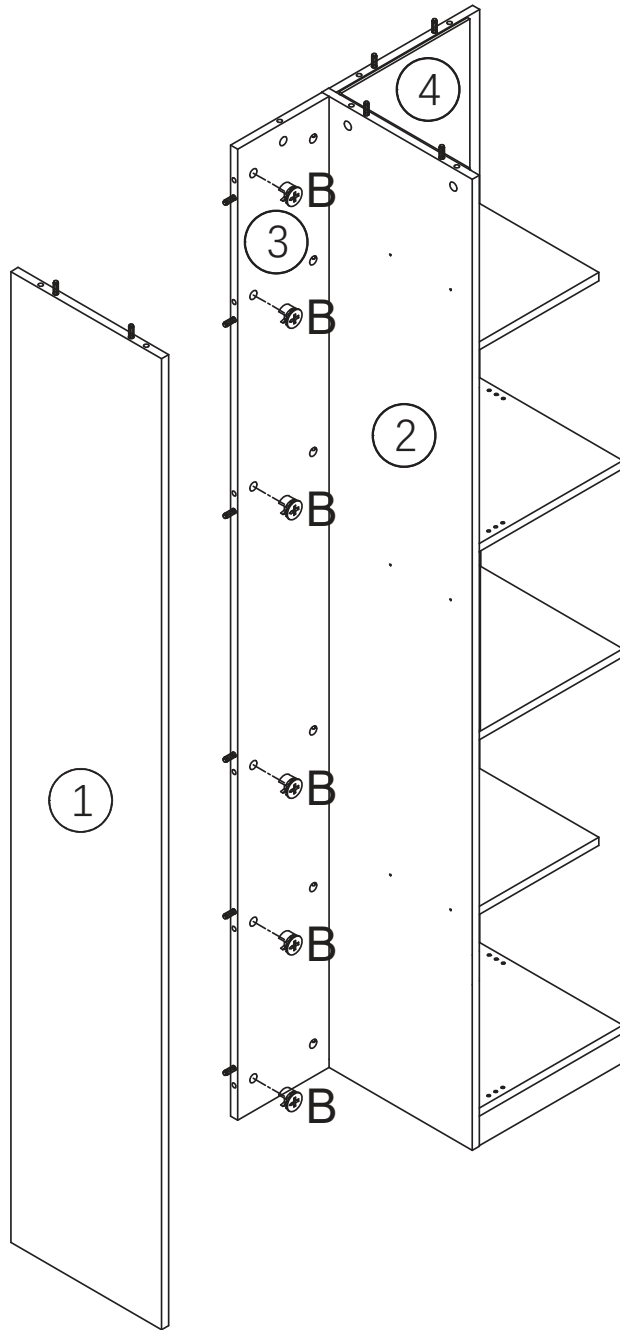
Put B on (4) (6) (7) (8) (9) (10) (12)

B*17



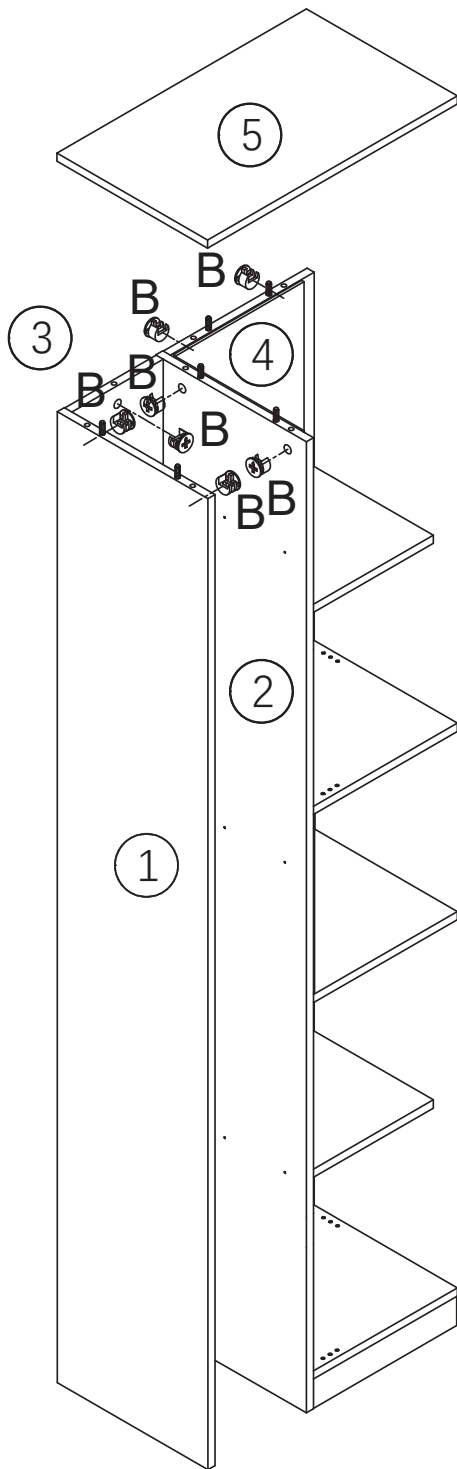
Put B on (3)

B*6



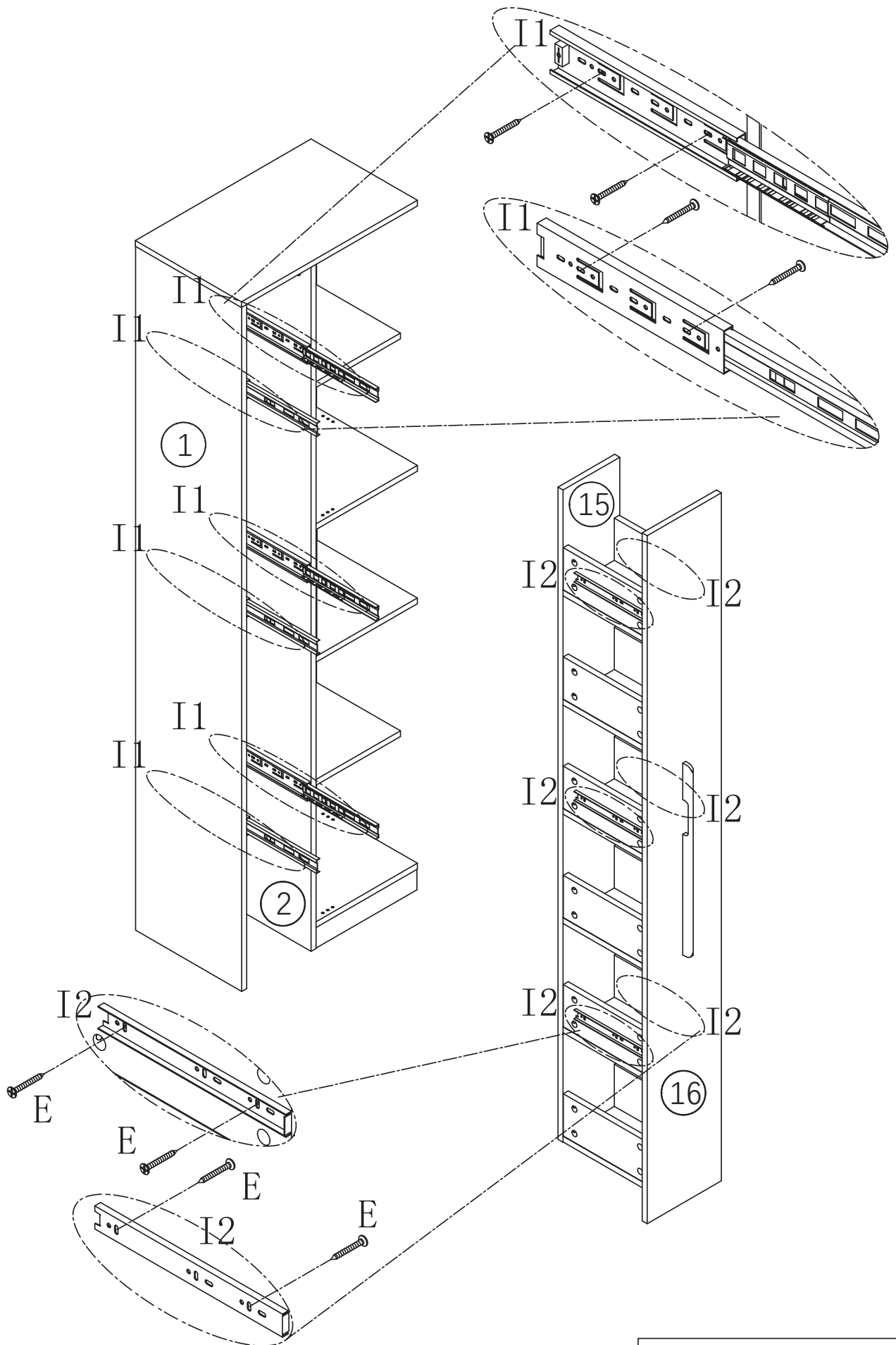
Put B on (3)

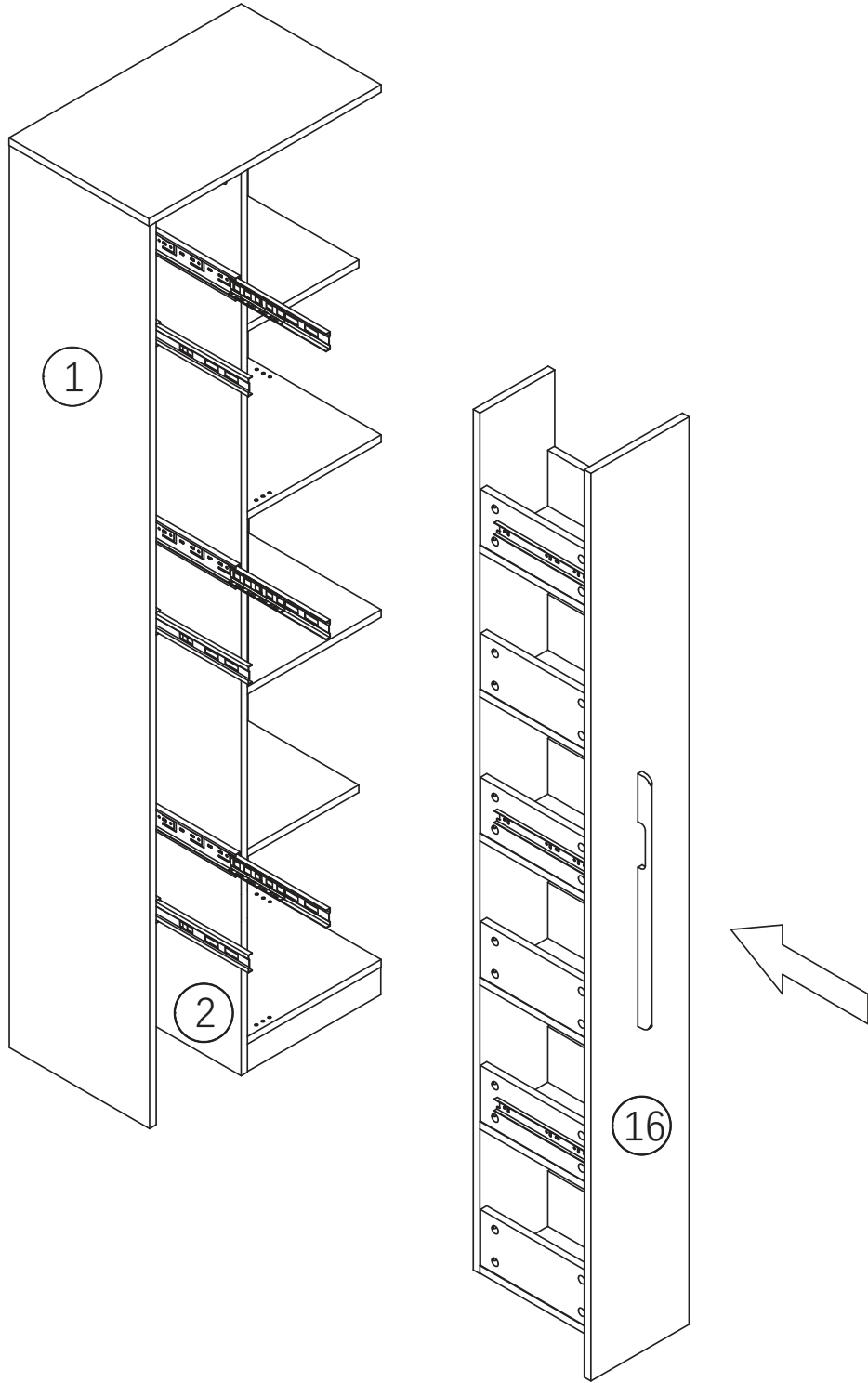
B*6

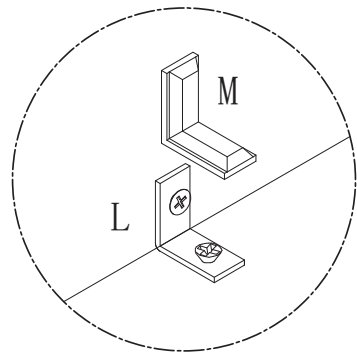
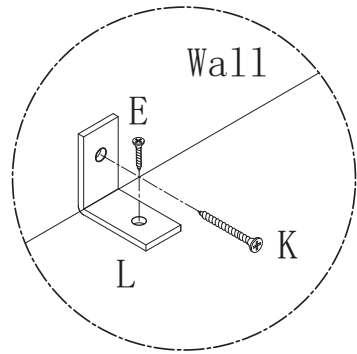
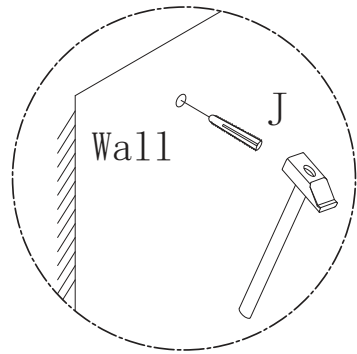
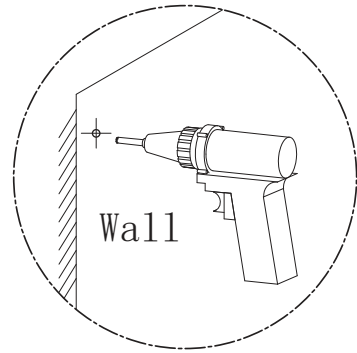
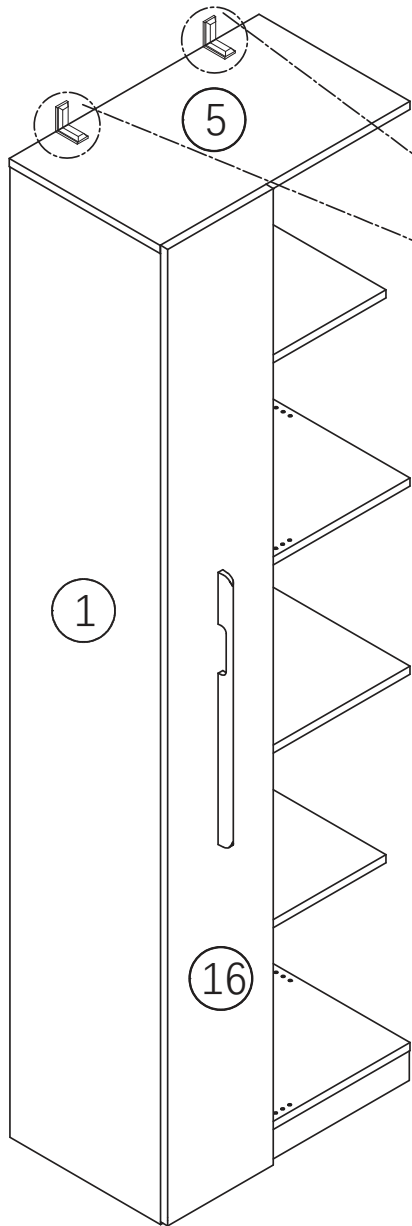


Put B on (1) (2) (3) (4)

B*7

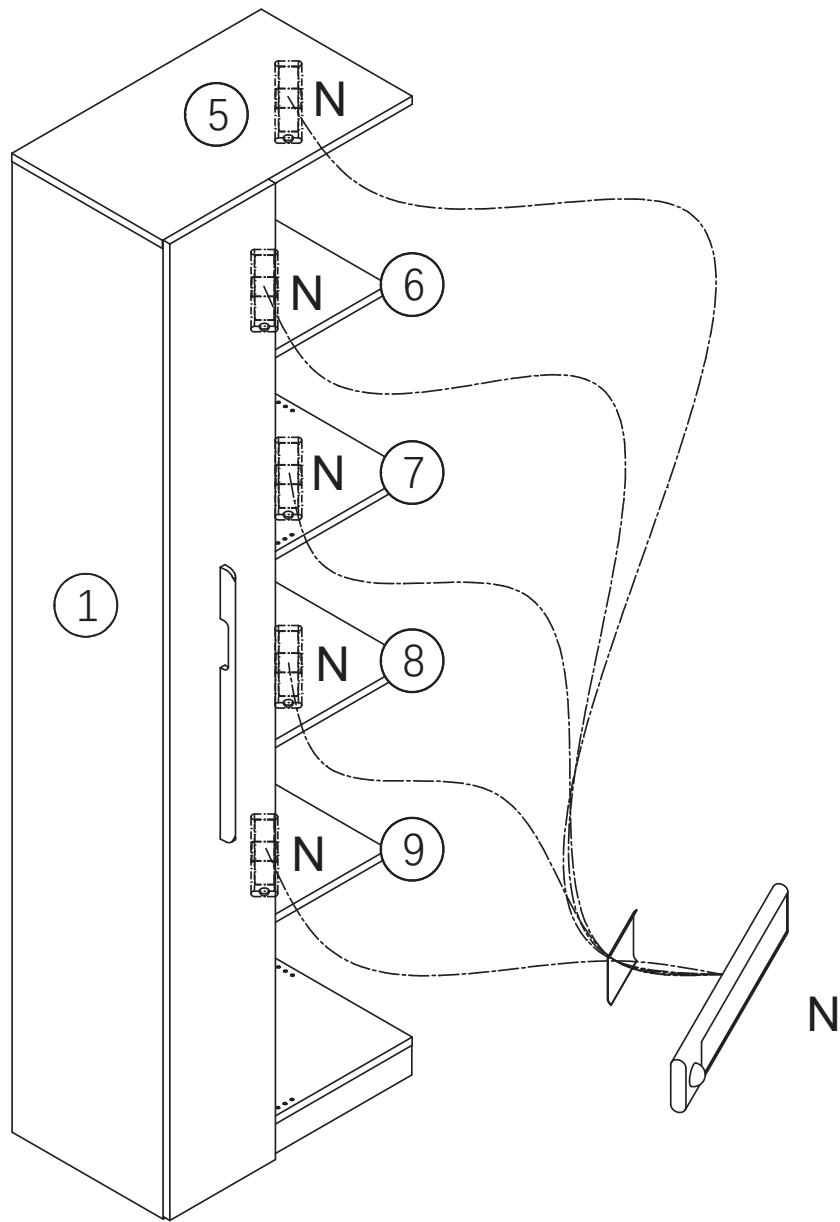


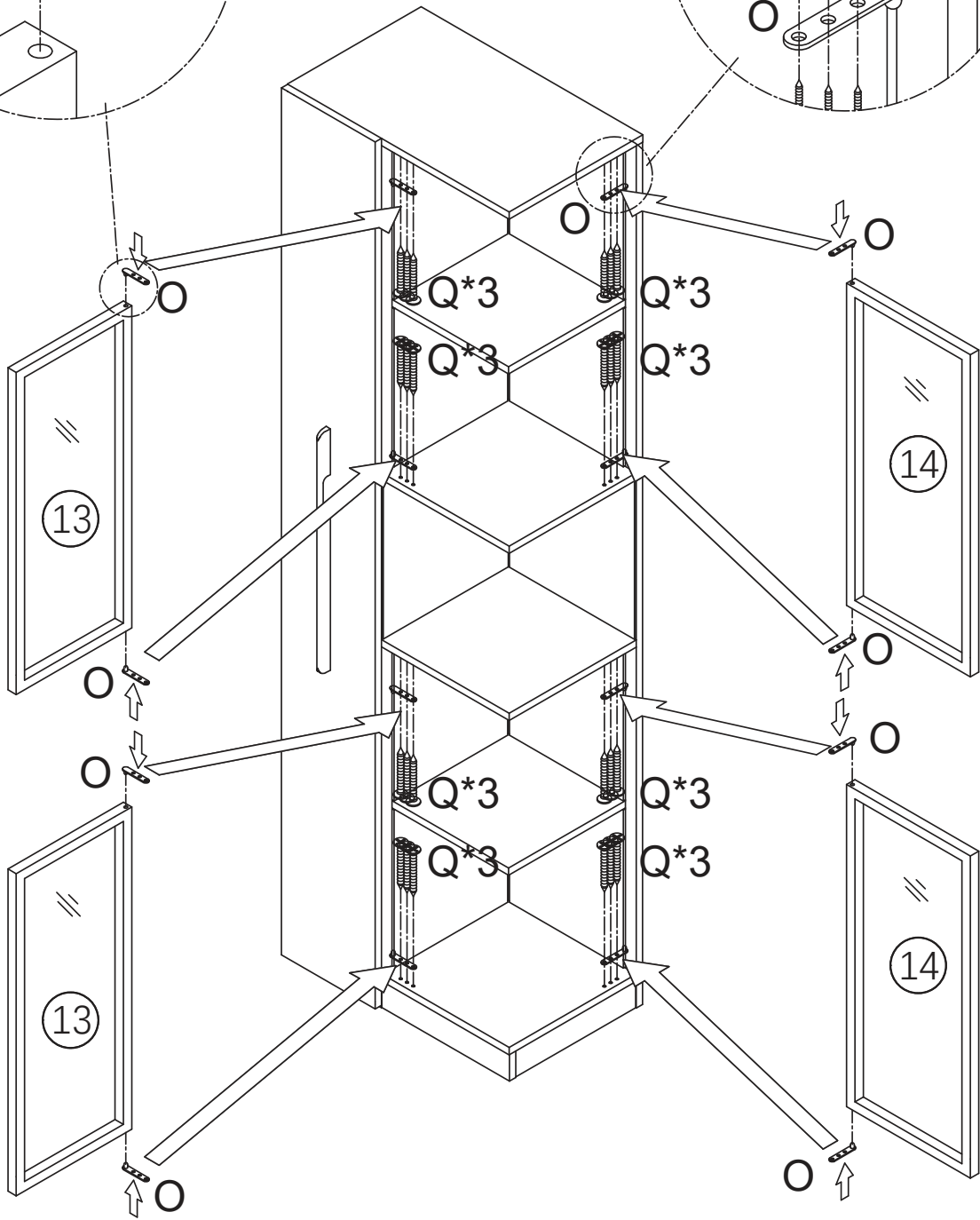
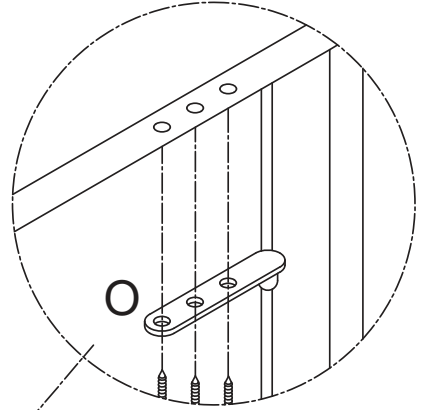
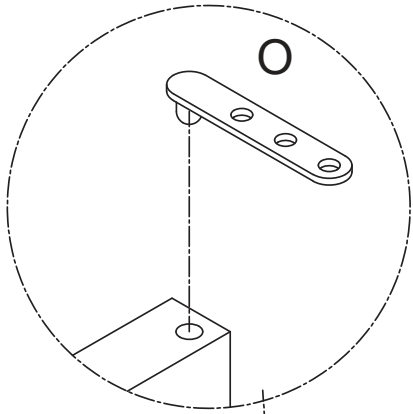


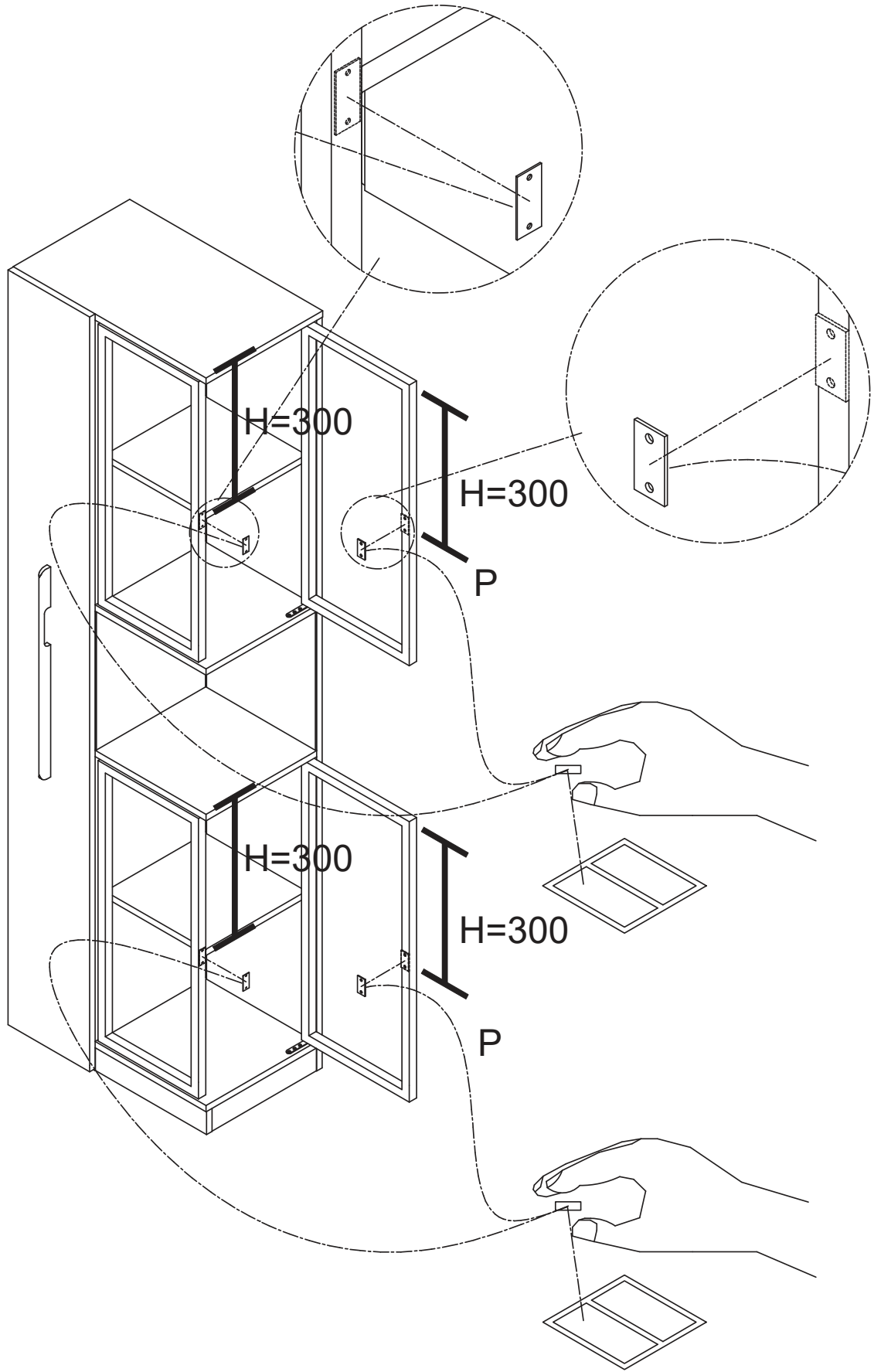


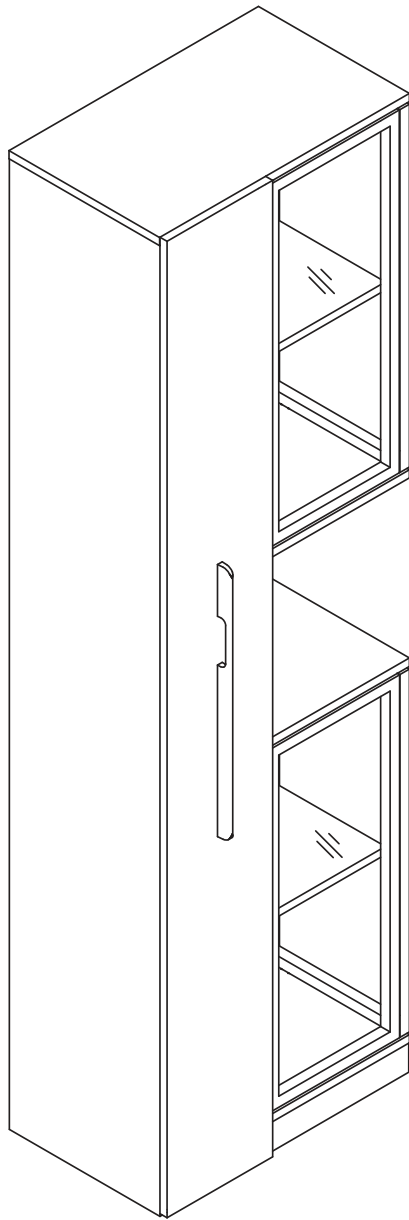
*2

E*2 J*2 K*2 L*2 M*2









End