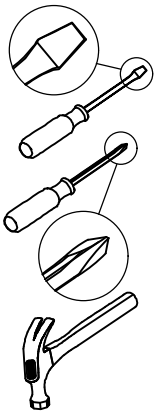


As this item contains many parts, please read the installation instruction carefully before installation . Please use tools properly and carefully. If you have any questions about the product and installation, please contact us.

Our professional after-sales team will serve you online all day.

Before You Start



- ✓ Read through each step carefully and follow the proper order
- ✓ Separate and count all your parts and hardware
- ✓ Give yourself enough room for the assembly process
- ✓ Have the following tools: Flat Head Screwdriver, #2 Phillips Head Screwdriver and Hammer
- ✓ Caution: If using a power drill or power screwdriver for screwing, please be aware of to slow down and stop when screw is tight. Failure to do so may result in stripping the screw. (Assembly speed can be increased by using electric screwdriver)

Helpful Hints

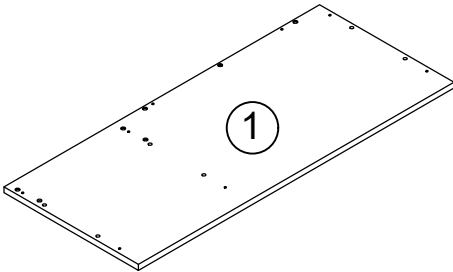
PEOPLE NEEDED FOR ASSEMBLY: 1-2

- Open your item in the area you plan to keep it to avoid excessive heavy lifting.
- Identify, sort and count the parts before attempting assembly.
- Compression dowels are lightly tapped in with a hammer.
- Slides are labeled with an **R** (right) and **L** (left) for proper placement.
- Make sure to always face the point on the top of the Cam Lock towards the outer edge.
- If there is a back panel in the package, please install it to make sure your unit is complete and sturdy.
- Please fix all the screws provided for the back panel which can enhance product stability. If it is difficult to fix it when tightening, it can be fixed with the help of a hammer and then tightened.
- Do NOT use harsh chemicals or abrasive cleaners on this item.
- Never push, pull, or drag your furniture.

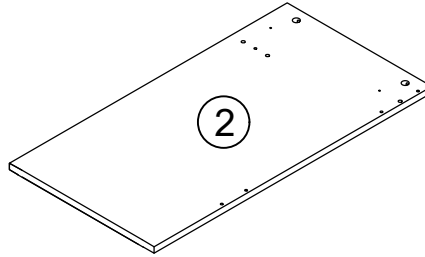


Board Identification

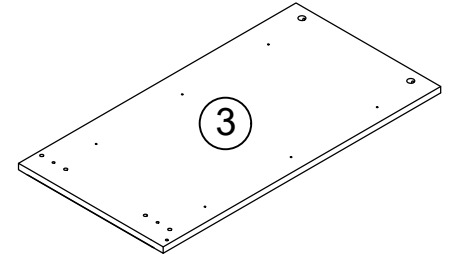
Not actual size



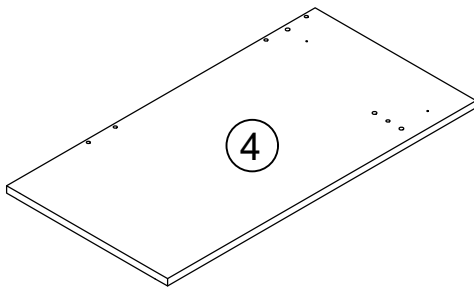
TOP
Qty:1



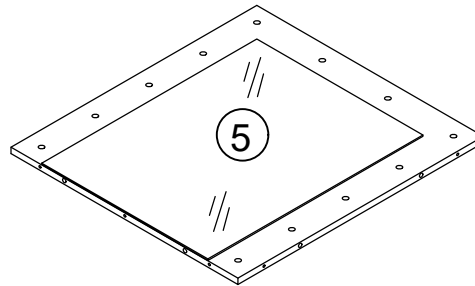
LEFT SIDE PANEL
Qty:1



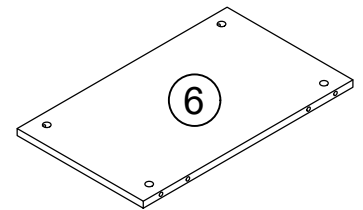
RIGHT SIDE PANEL
Qty:1



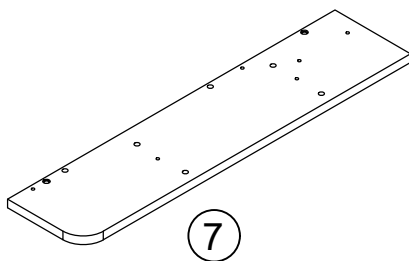
MIDDLE PANEL
Qty:1



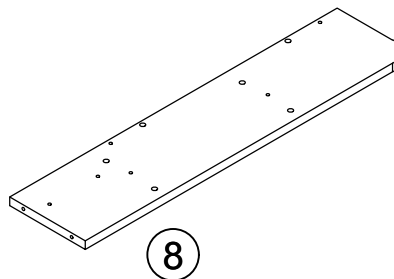
DRESSING MIRROR
Qty:1



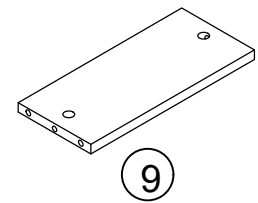
UPPER BACKPANEL
Qty:1



UPPER LEFT SIDE PANEL
Qty:1



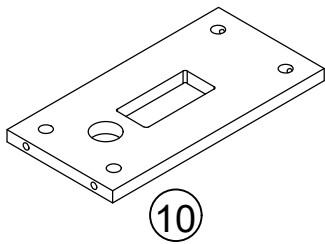
UPPER RIGHT SIDE PANEL
Qty:1



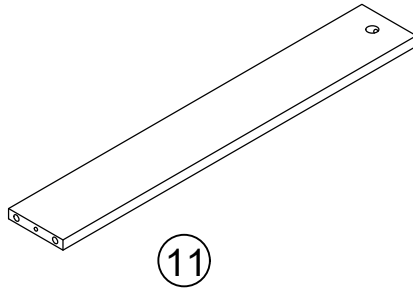
FIXED SHELF
Qty:2

Board Identification

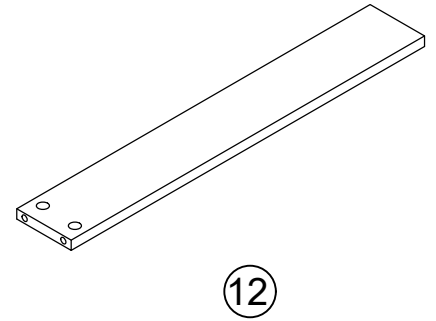
Not actual size



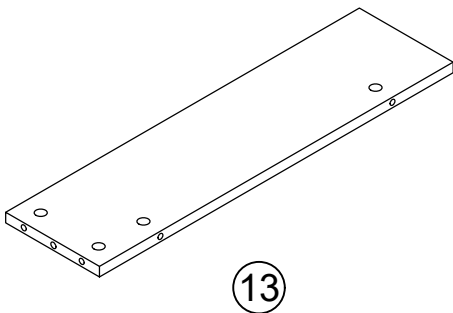
LOWER BACK
Qty:1



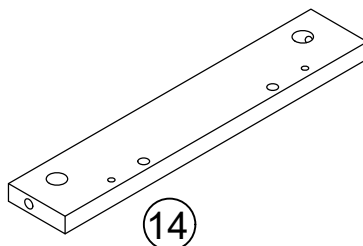
LEFT FRONT CROSS MEMBER
Qty:1



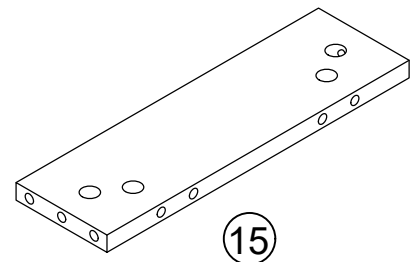
LOWER LEFT REAR RAIL
Qty:1



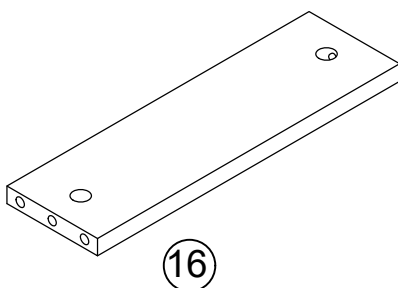
LEFT REAR PANEL
Qty:1



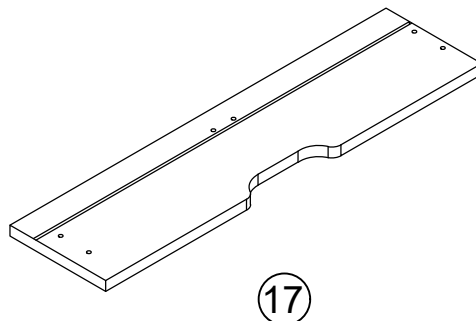
BOTTOM FRONT RAIL
Qty:1



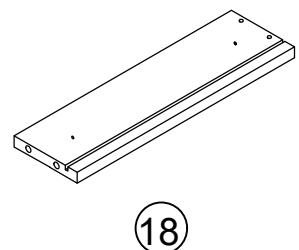
RIGHT FRONT RAIL
Qty:1



RIGHT BACK RAIL
Qty:1



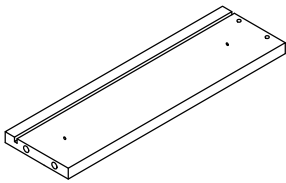
LARGE DRAWER FRONT
Qty:1



DRAWER LEFT PANEL
Qty:1

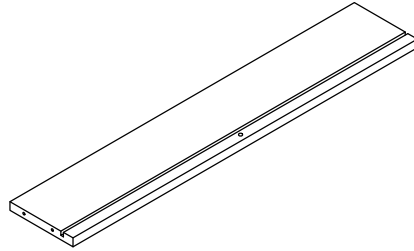
Board Identification

Not actual size



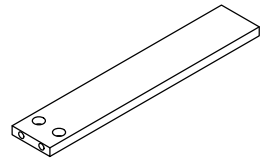
19

DRAWER RIGHT PANEL
Qty:1



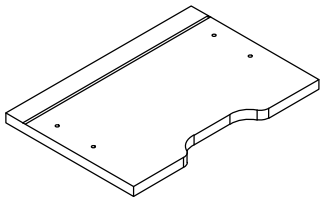
20

DRAWER BACK PANEL
Qty:1



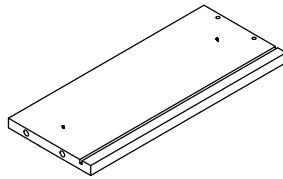
21

DRAWER SUPPORT RAIL
Qty:1



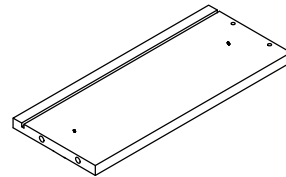
22

SMALL DRAWER FRONT
Qty:3



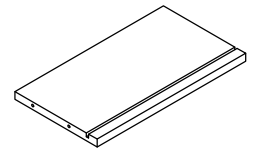
23

DRAWER LEFT PANEL
Qty:3



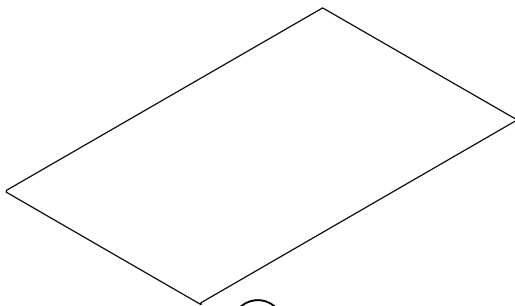
24

DRAWER RIGHT PANEL
Qty:3



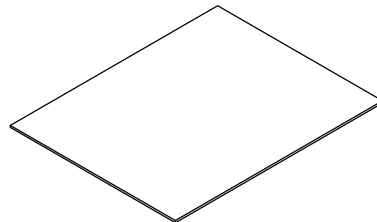
25

DRAWER BACK PANEL
Qty:3



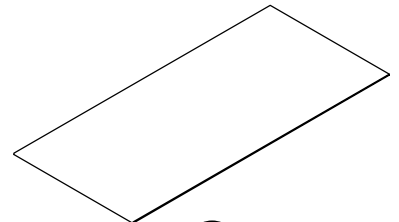
26

BOTTOM OF DRAWER
Qty:1



27

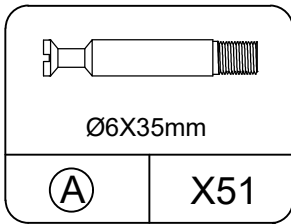
BOTTOM OF DRAWER
Qty:3



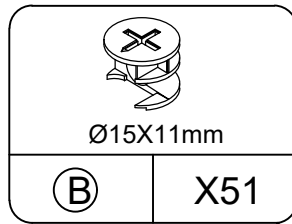
28

LOWER RIGHT REAR PANEL
Qty:1

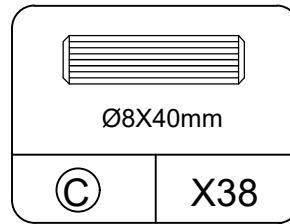
Part List



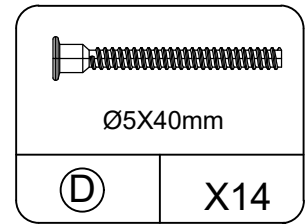
CAM BOLT
spare:3



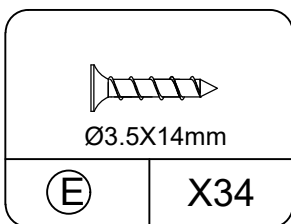
CAM LOCK
spare:3



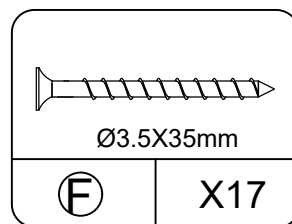
WOOD DOWEL
spare:3



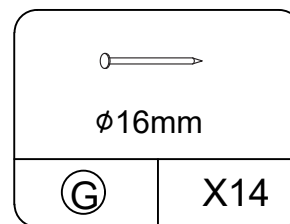
SCREW
spare:2



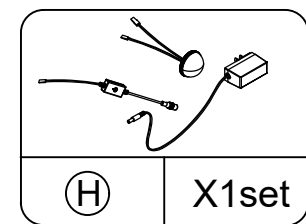
SCREW
spare:2



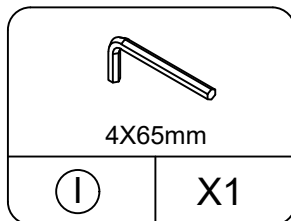
SCREW
spare:2



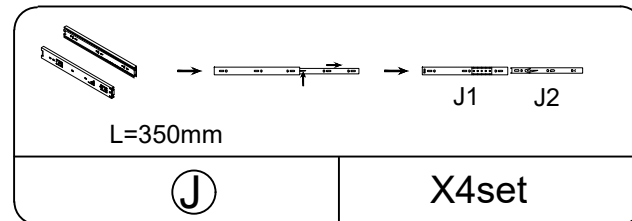
NAIL
spare:2



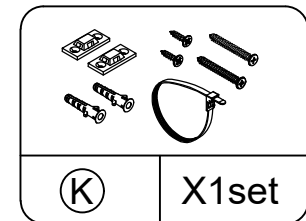
LIGHT BULB



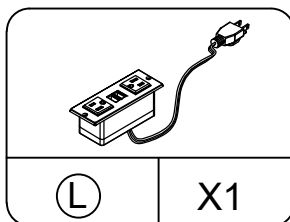
HEX KEY



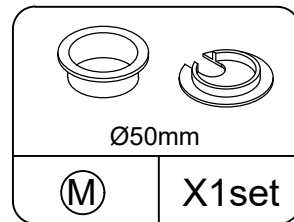
SLIDE



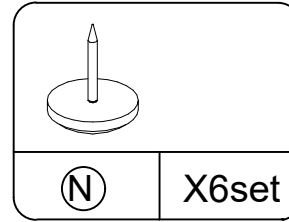
TIPPING RESTRAINT
HARDWARE KIT



POWER STRIP



GROMMET

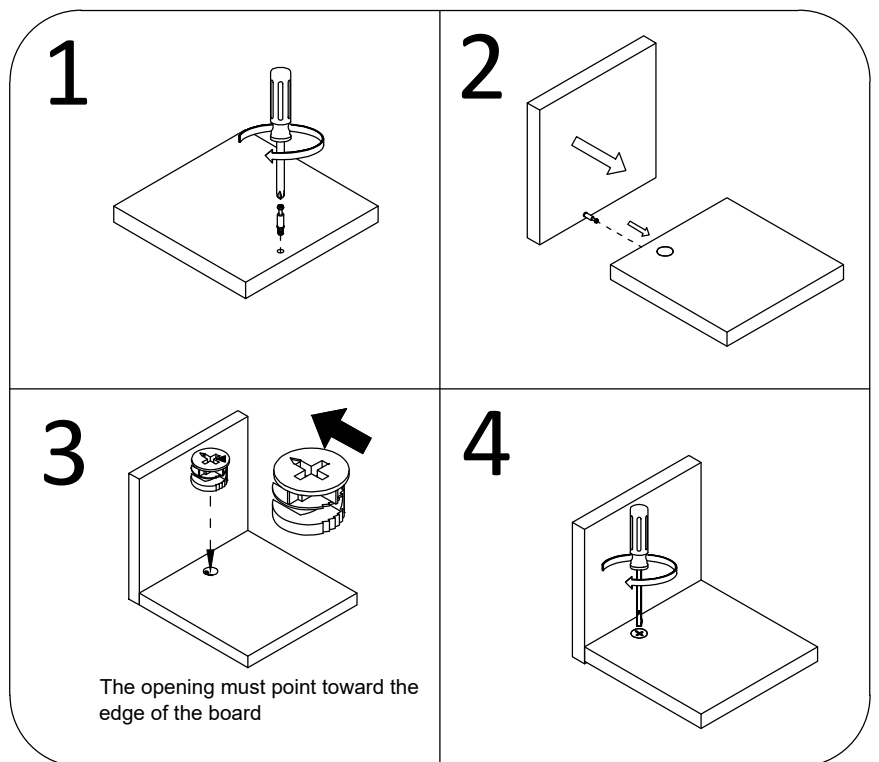


SHACKLES

Part List

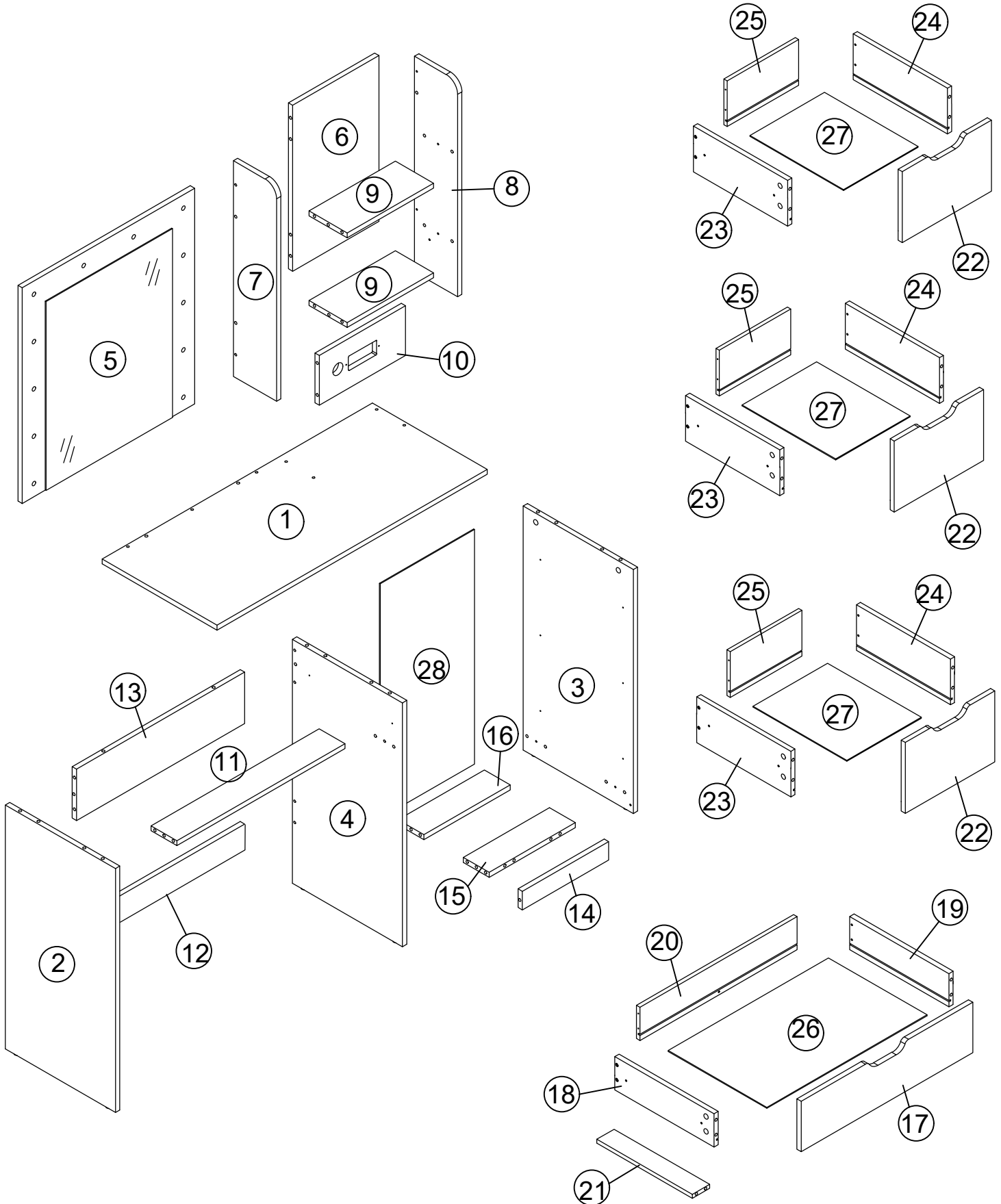
Cam Lock Fastening System

Insert the cam bolt into the hole first, then insert the cam lock and lock it.

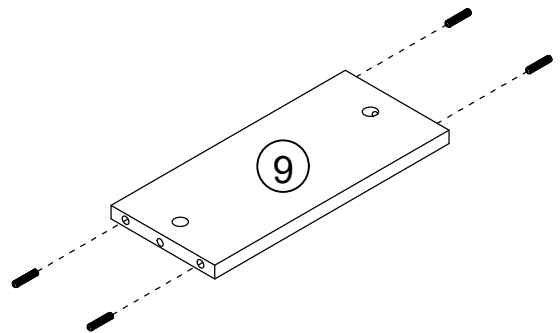
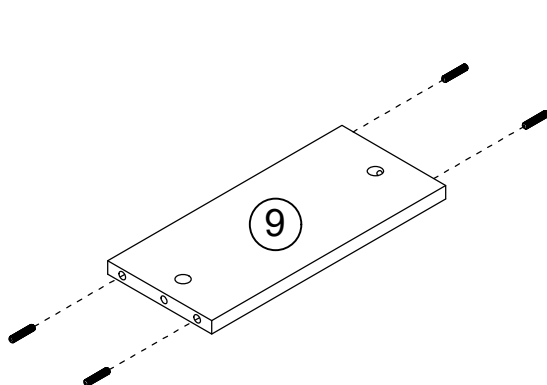
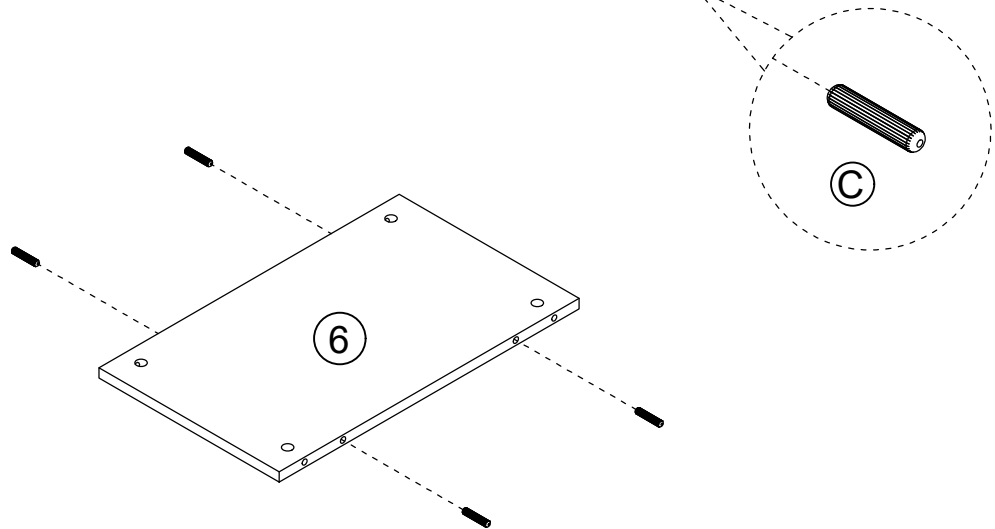
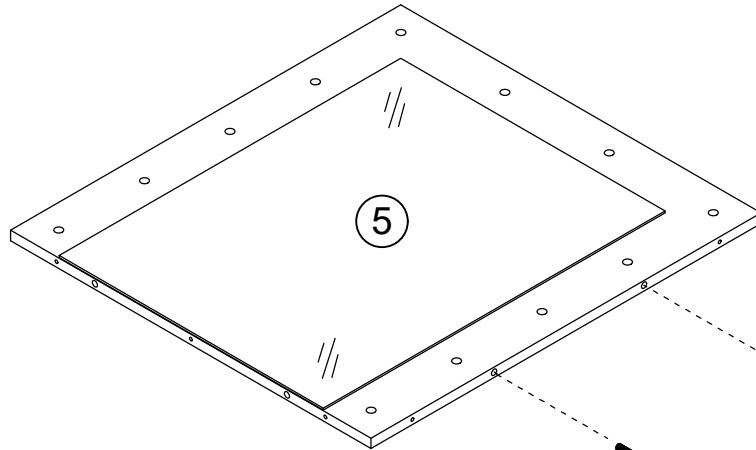
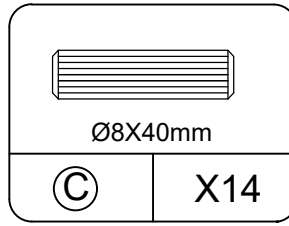
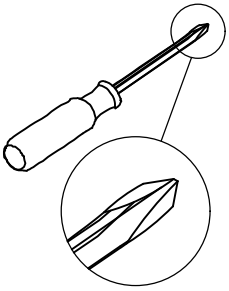


Board Identification

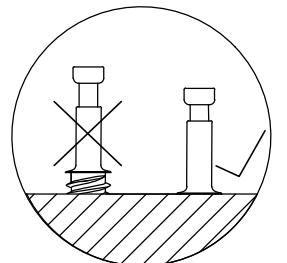
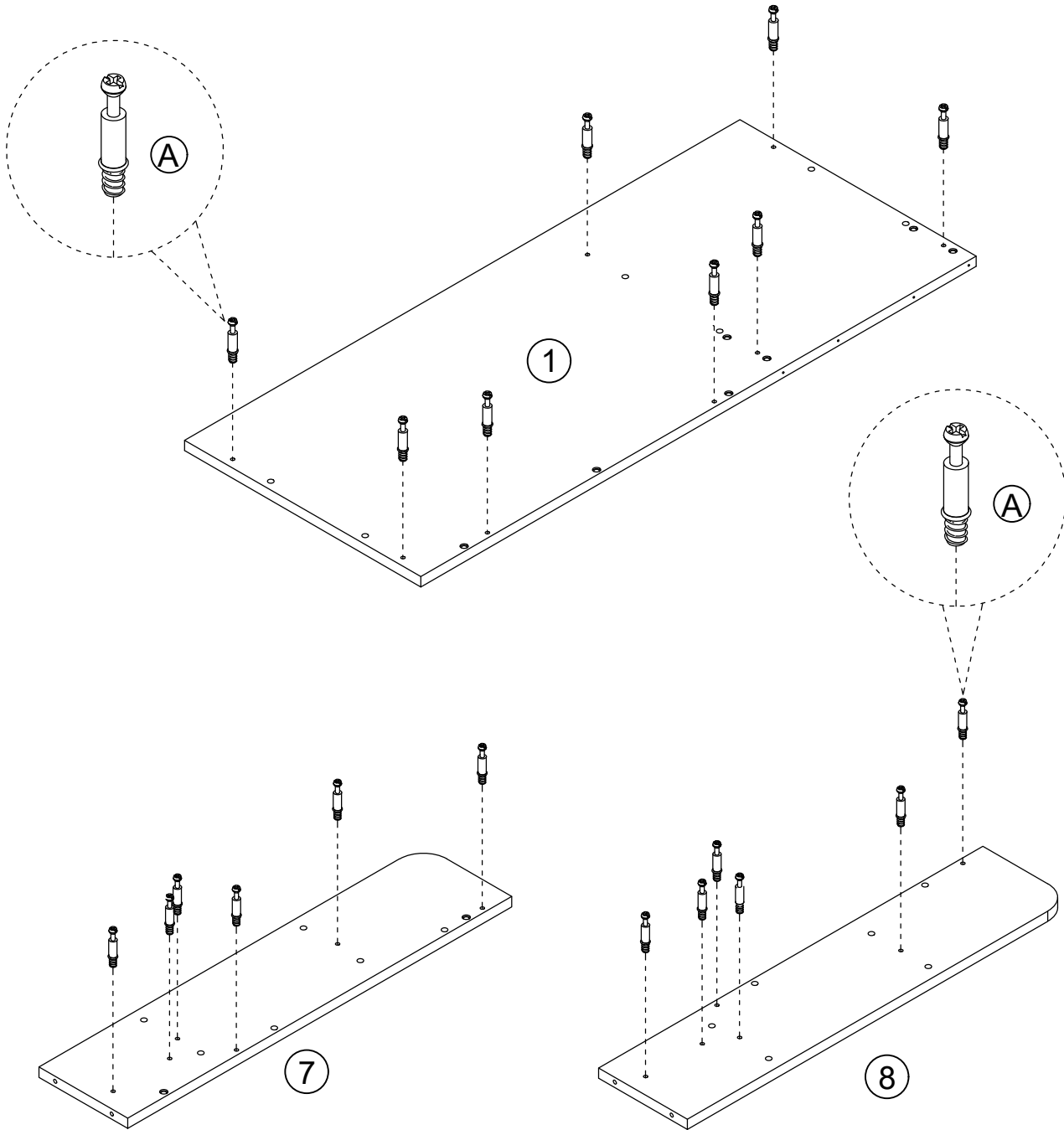
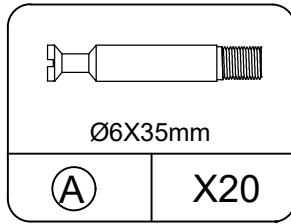
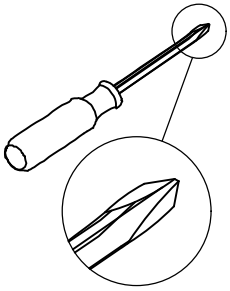
Not actual size



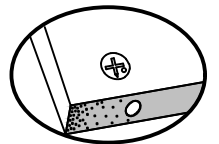
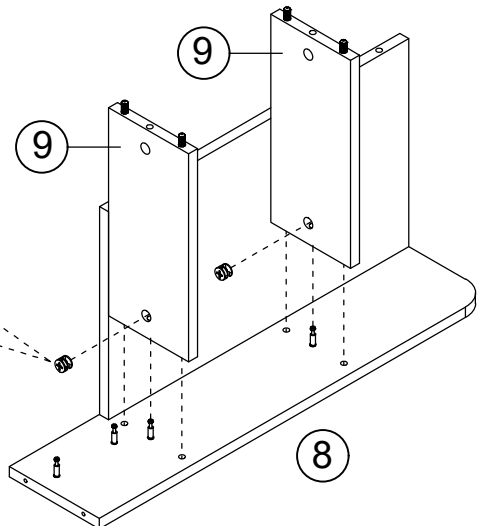
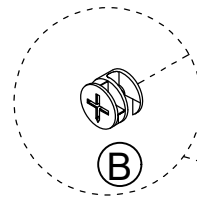
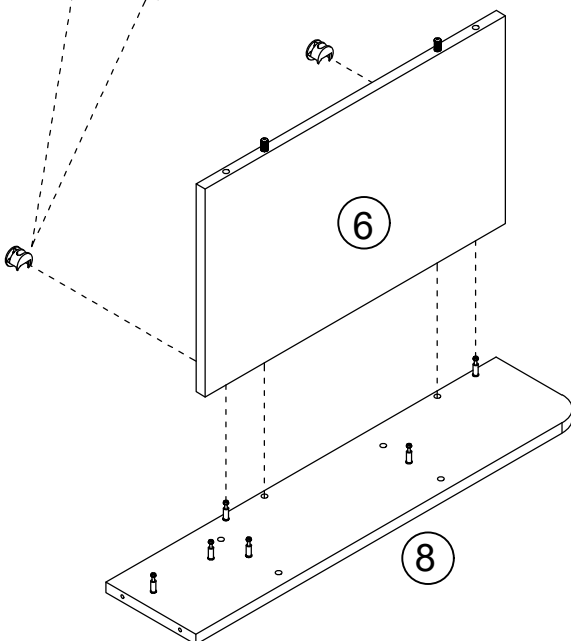
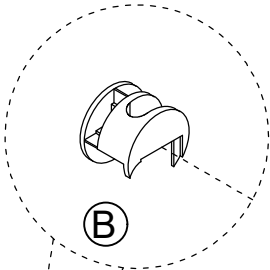
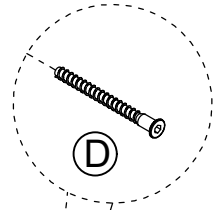
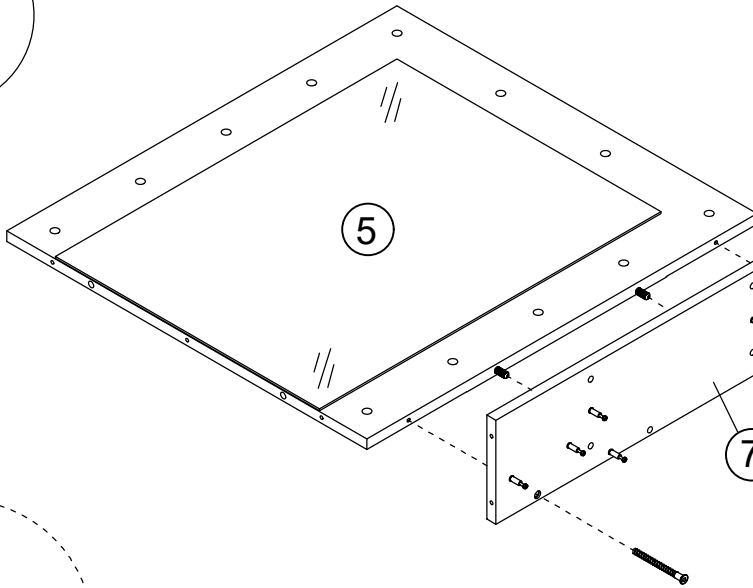
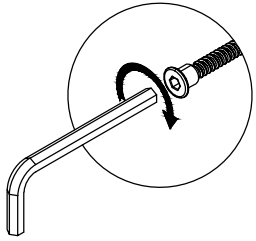
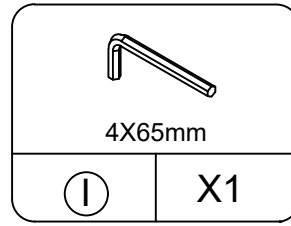
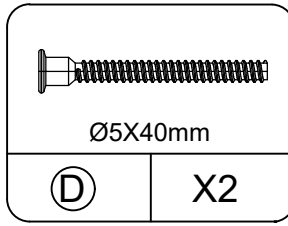
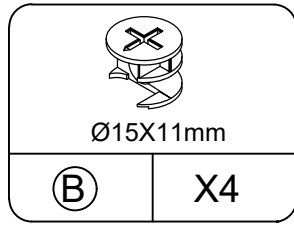
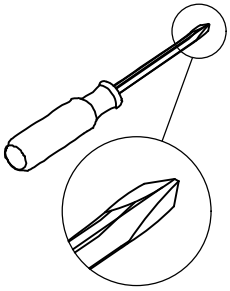
STEP 1



STEP 2

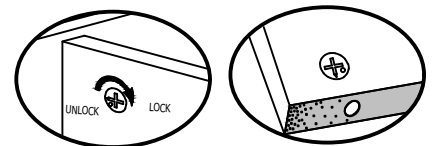
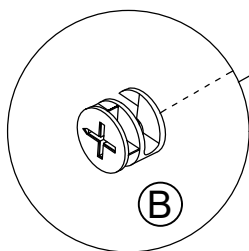
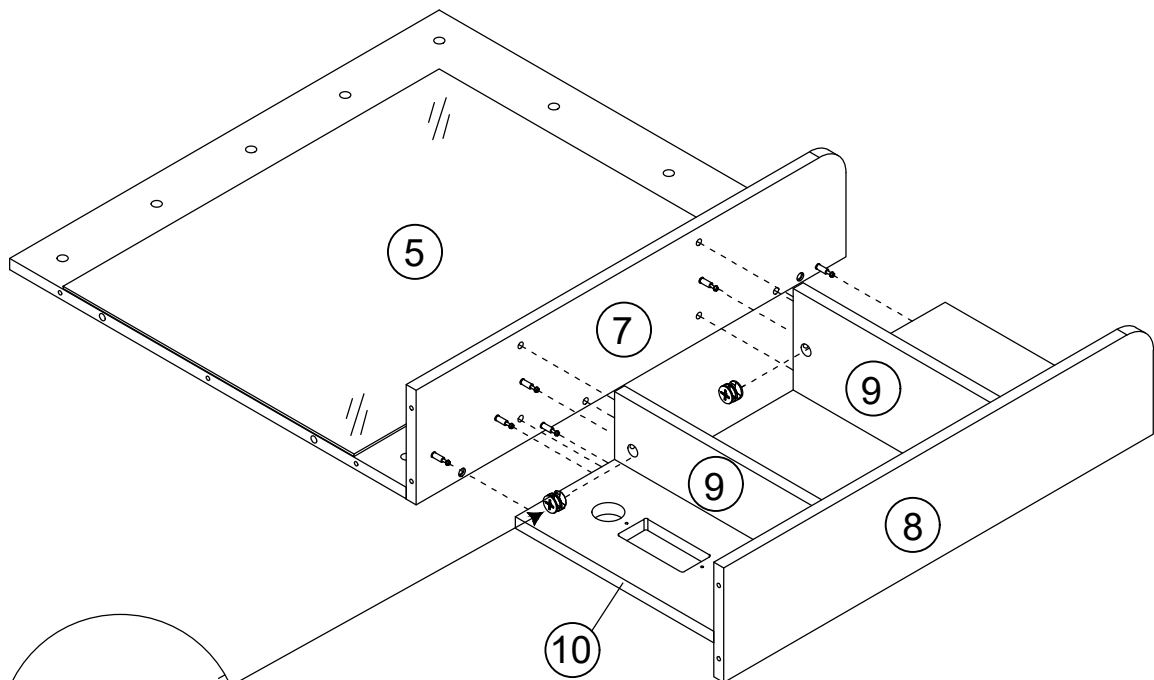
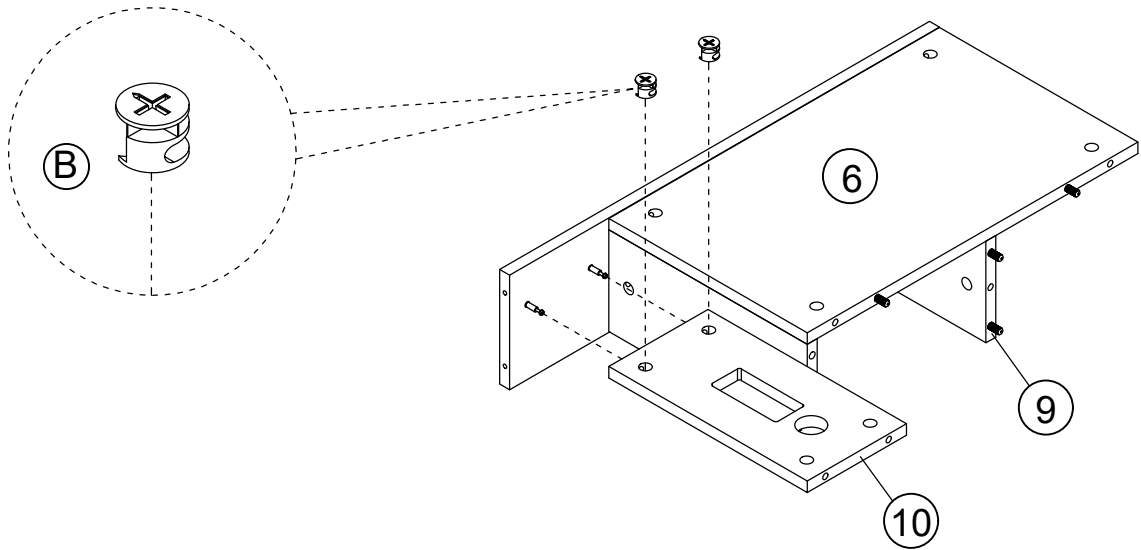
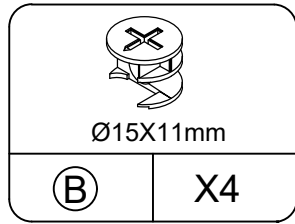
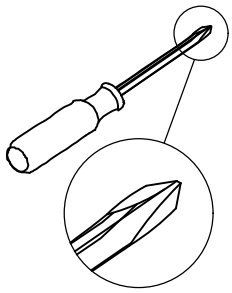


STEP 3

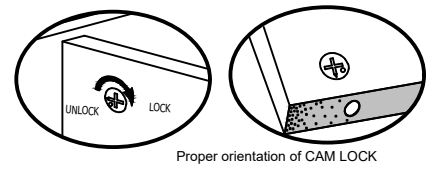
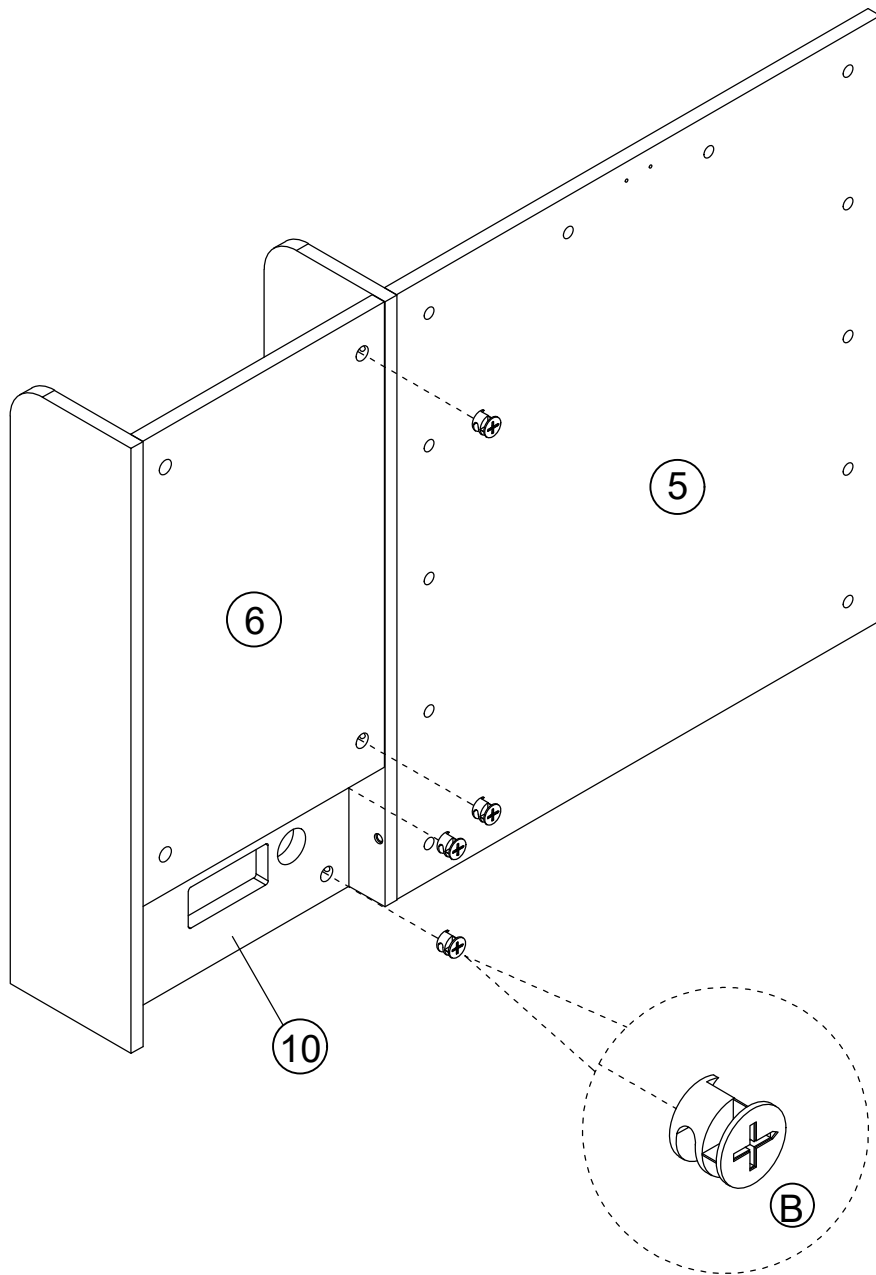
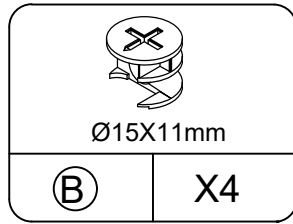
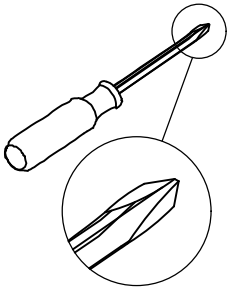


Proper orientation of CAM LOCK

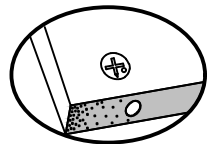
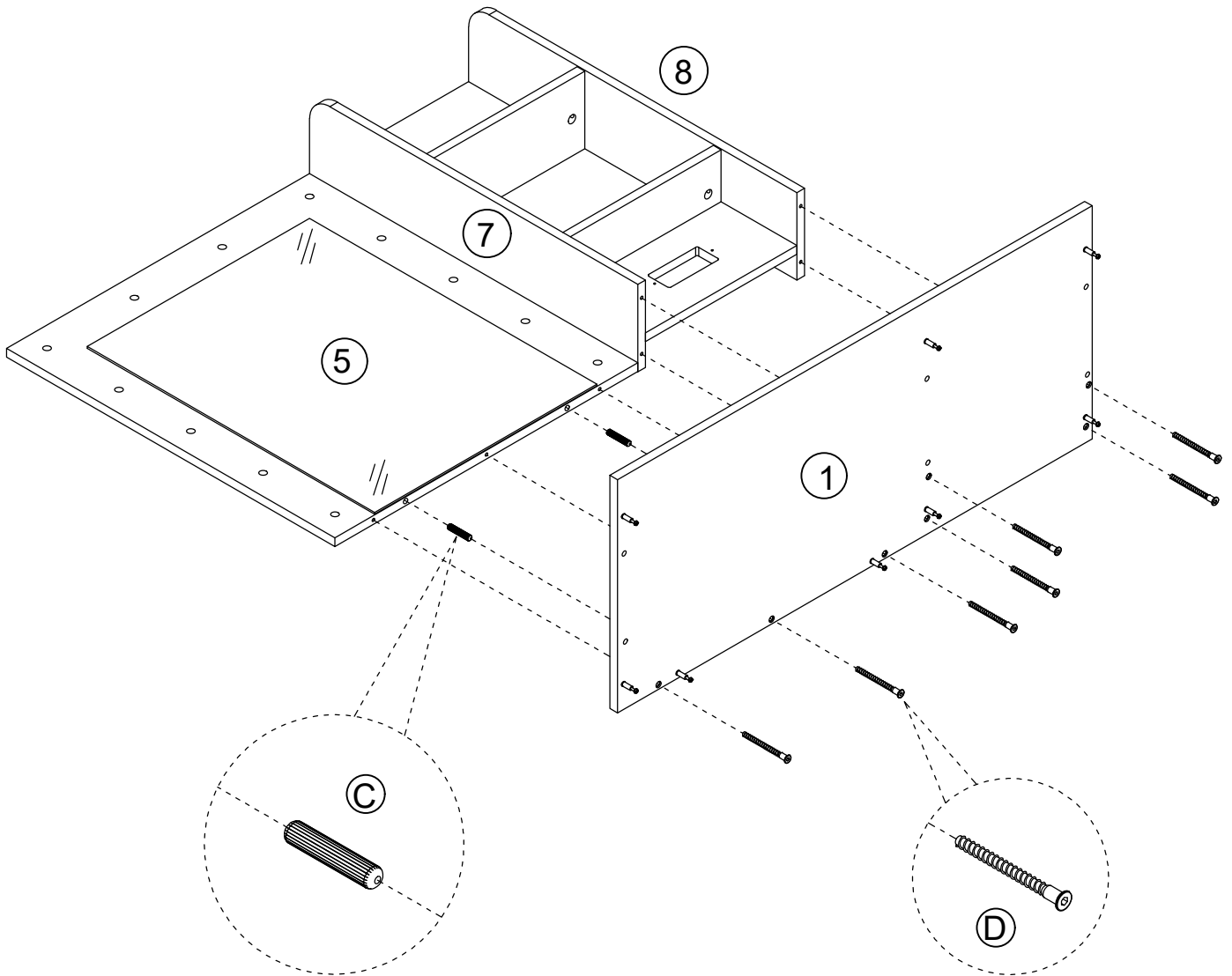
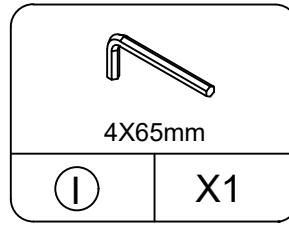
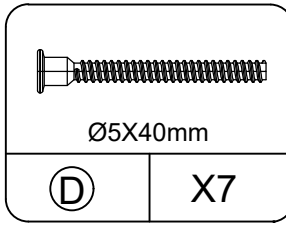
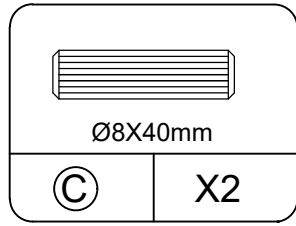
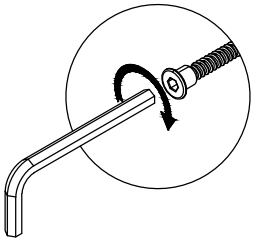
STEP 4



STEP 5

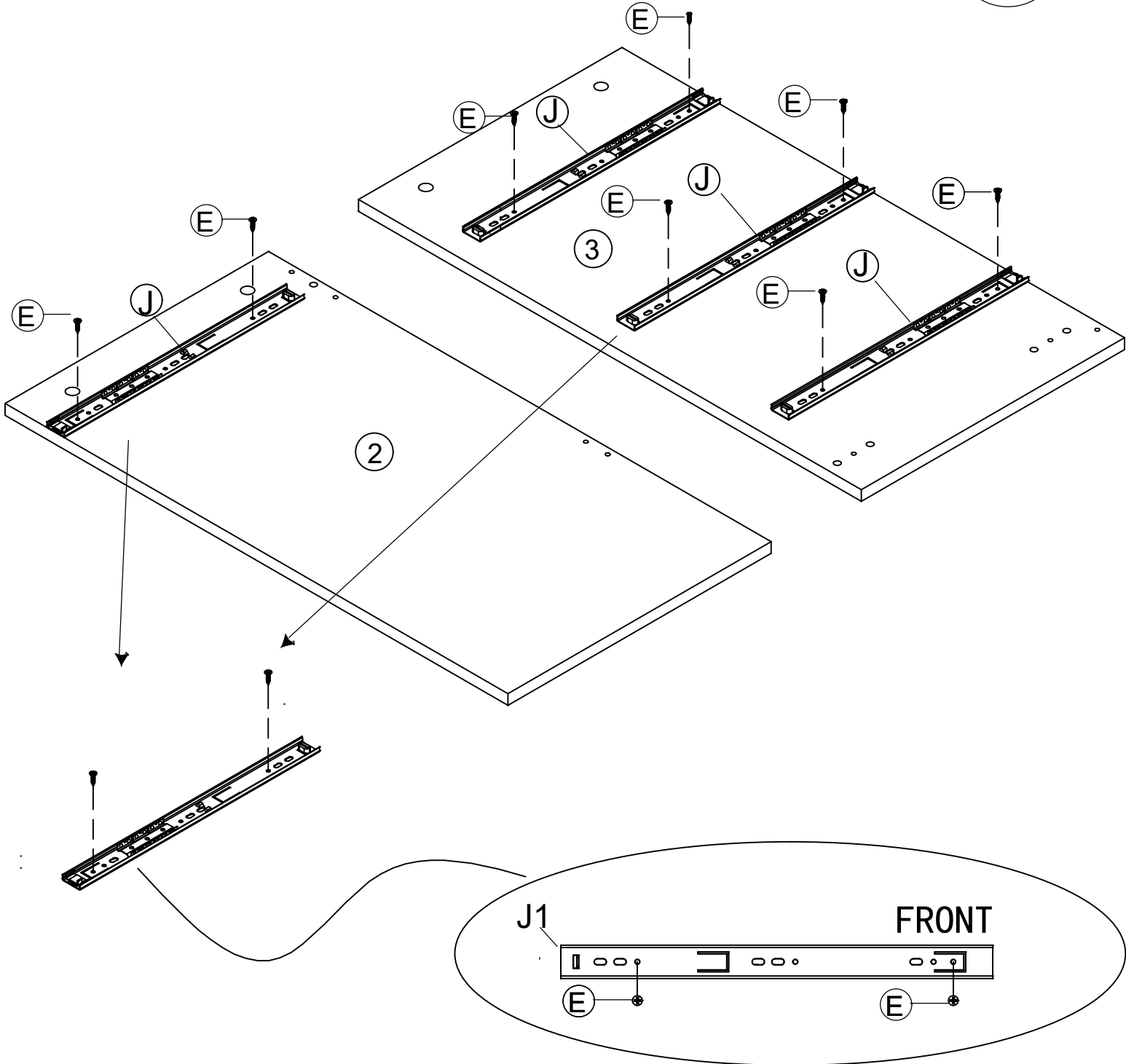
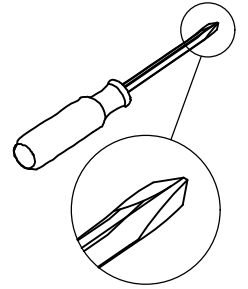
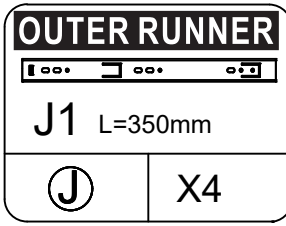
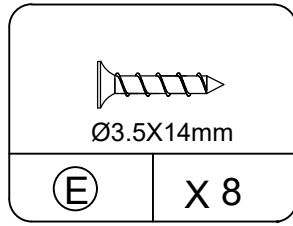


STEP 6

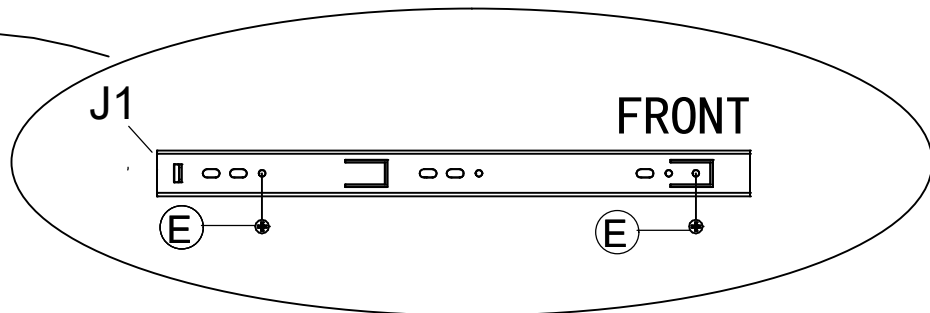
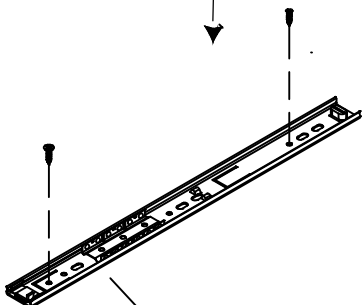
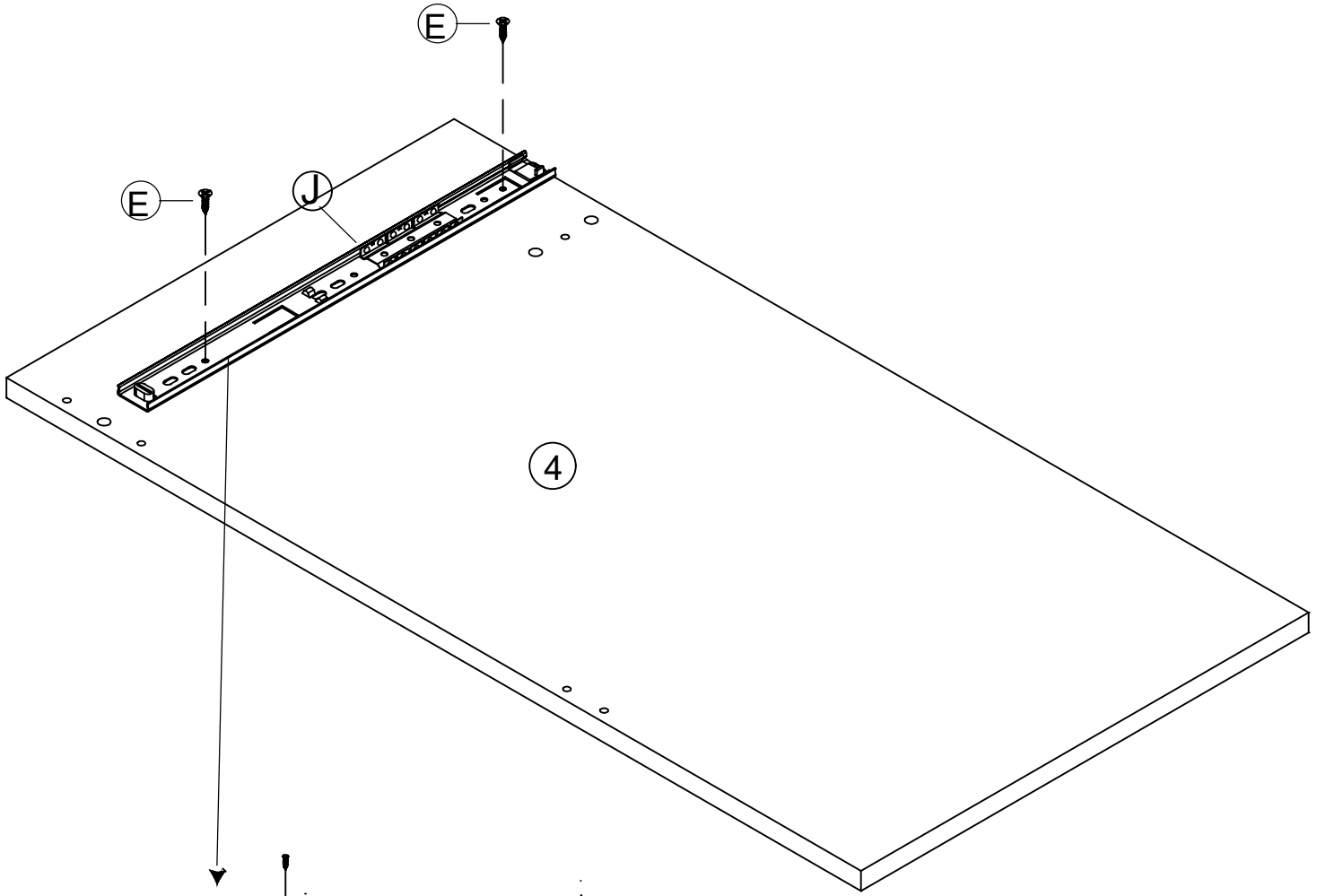
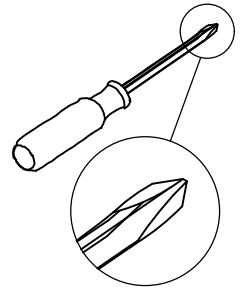
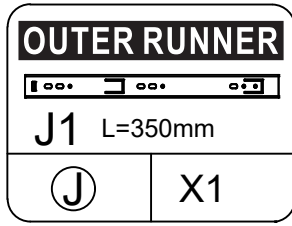
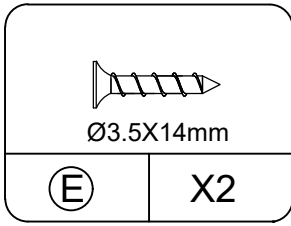


Proper orientation of CAM LOCK

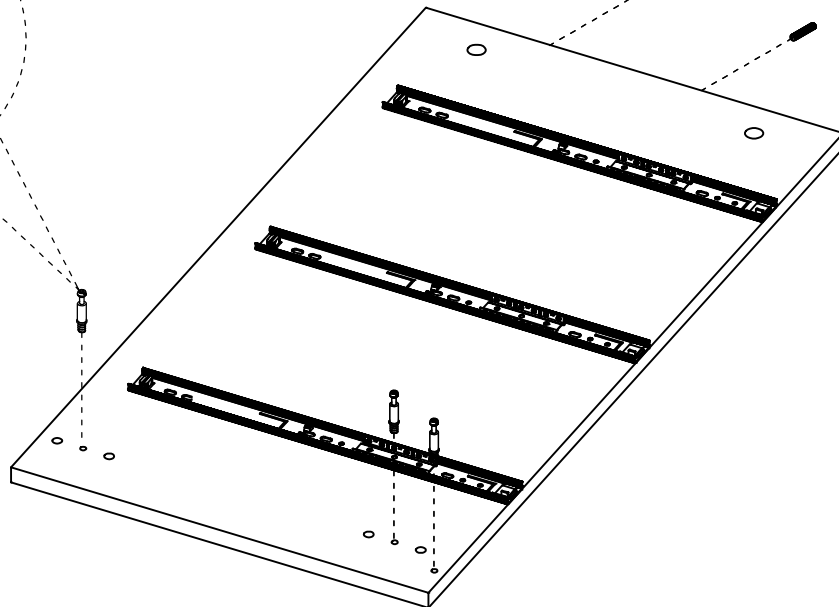
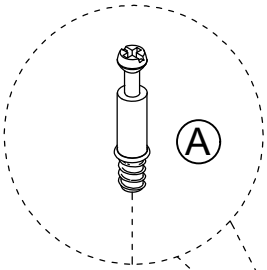
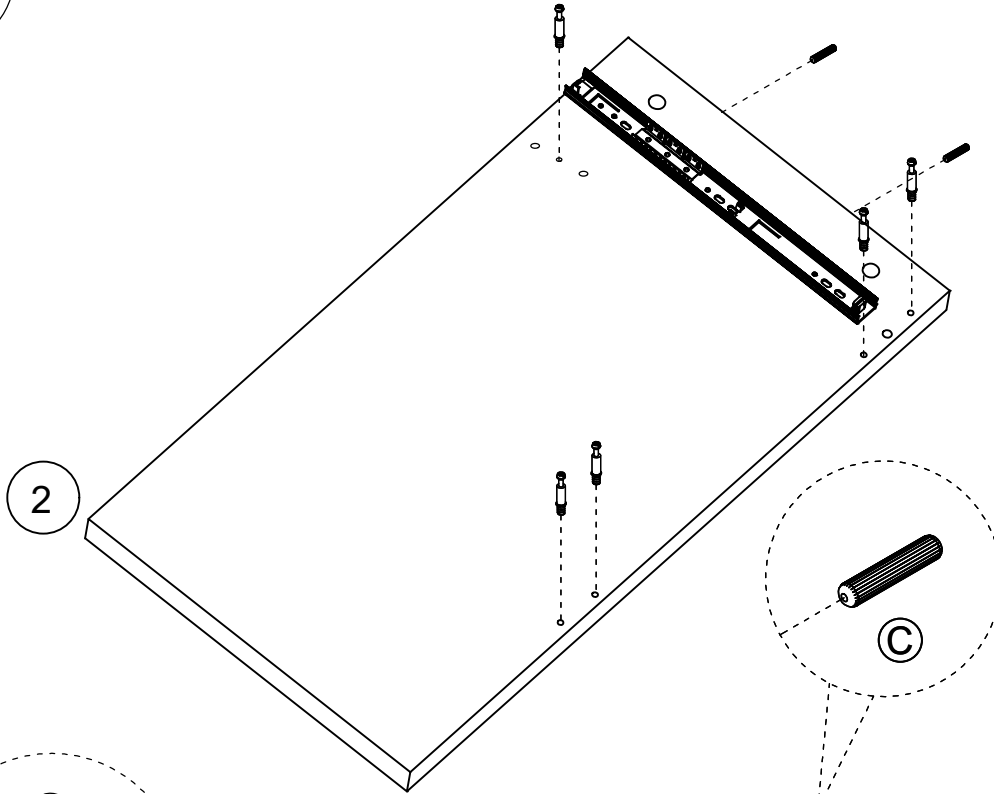
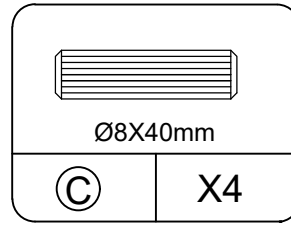
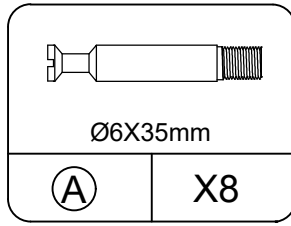
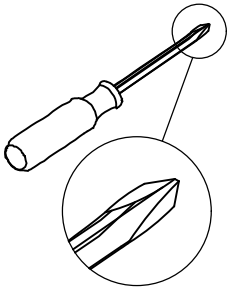
STEP 7



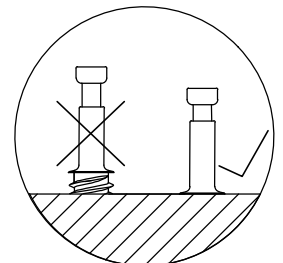
STEP 8



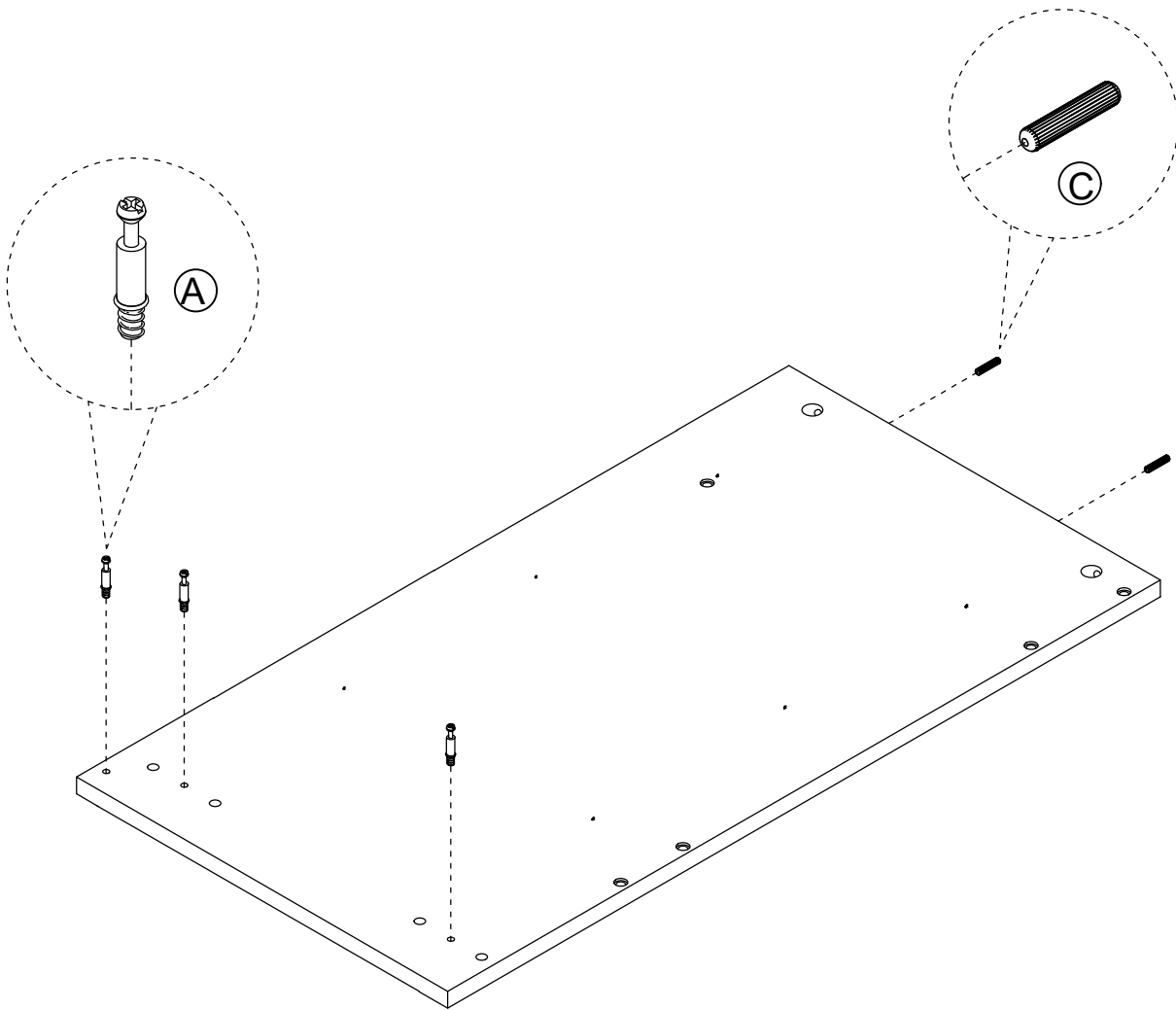
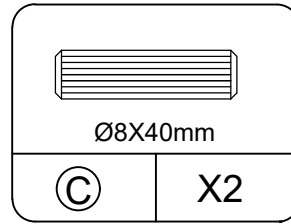
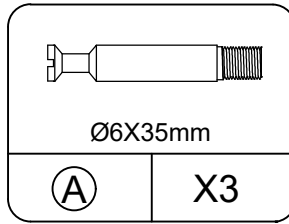
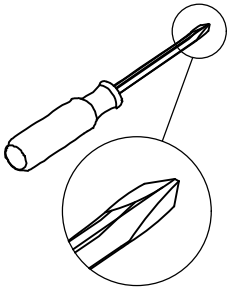
STEP 9



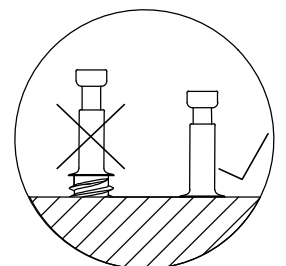
3



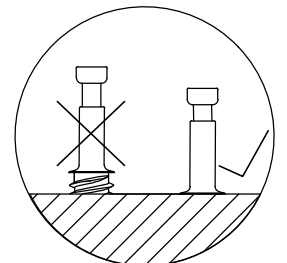
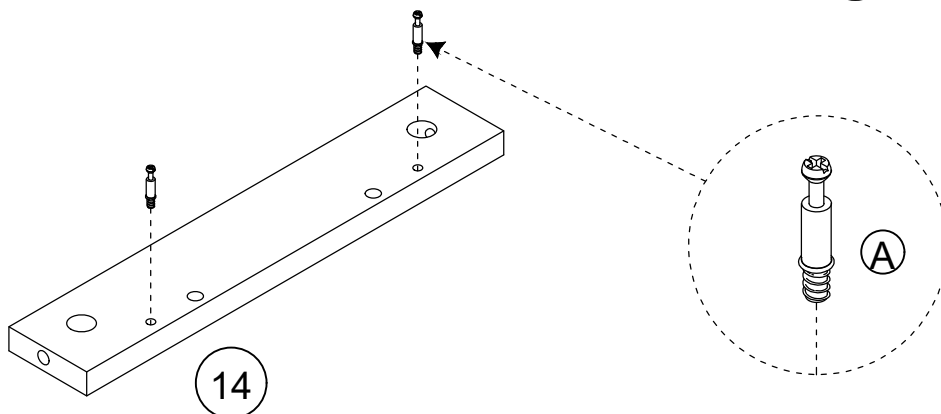
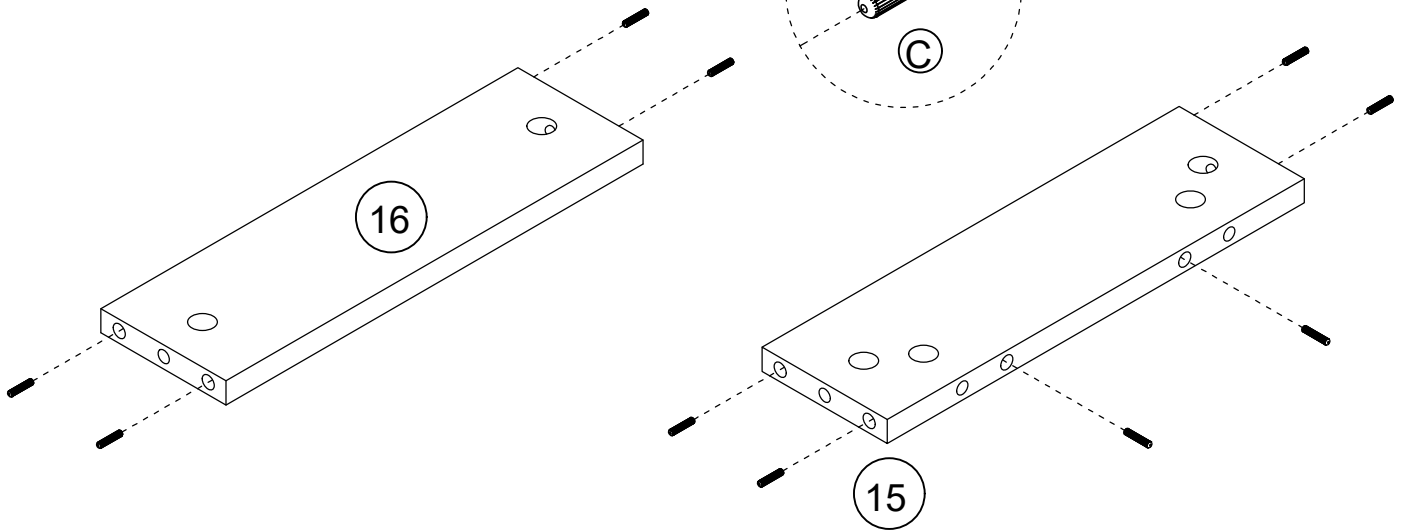
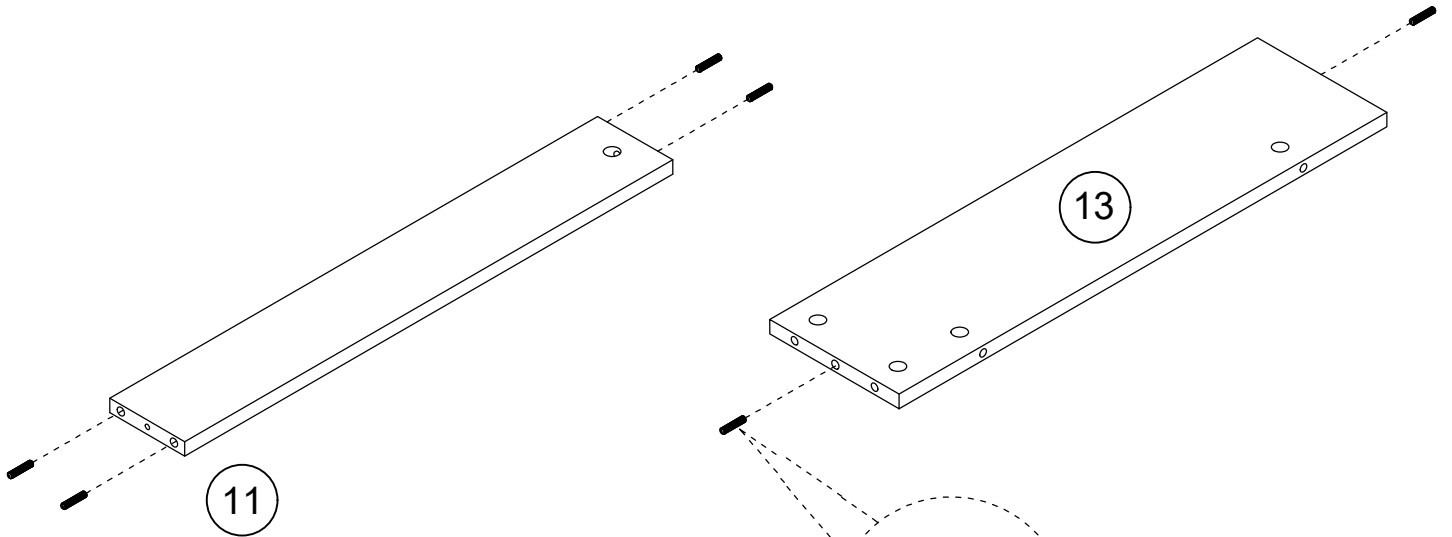
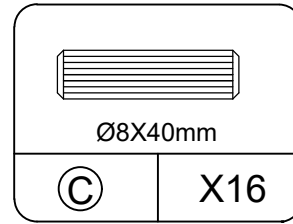
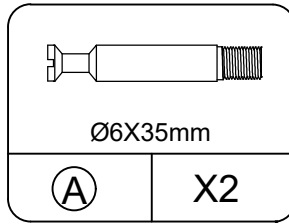
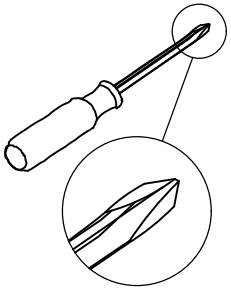
STEP10



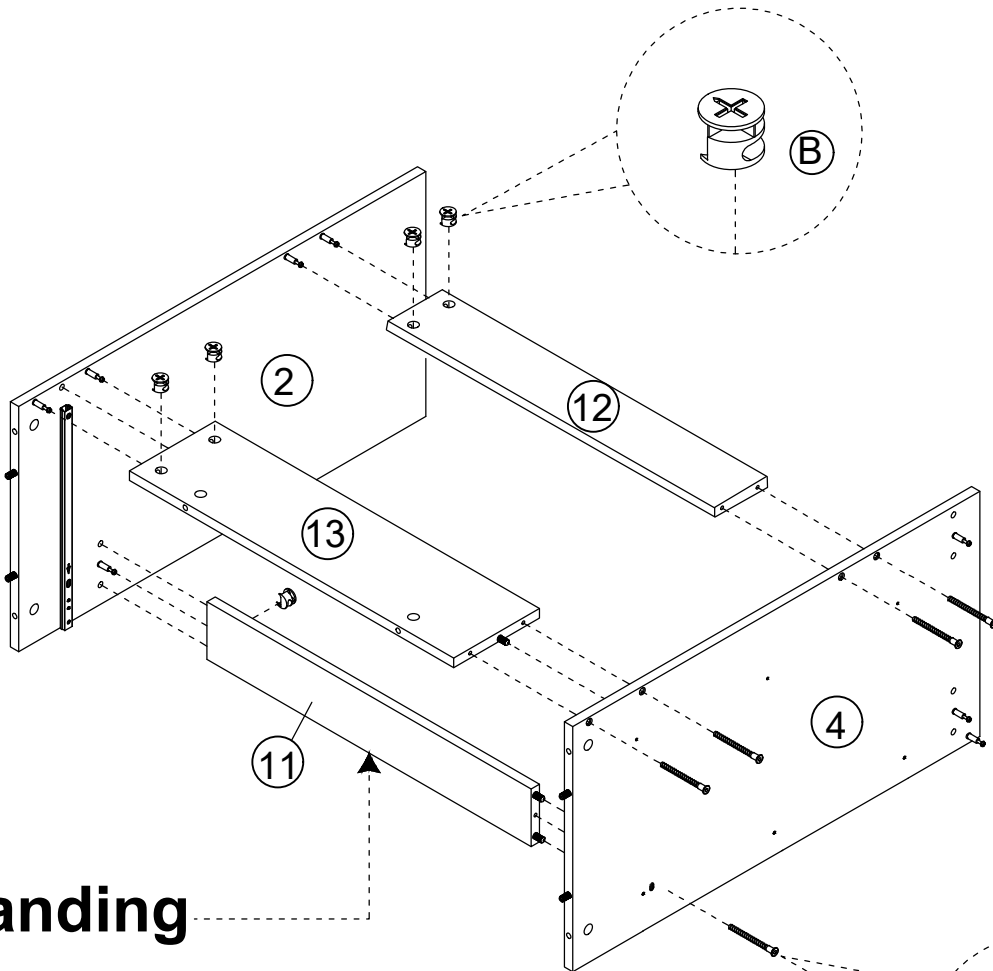
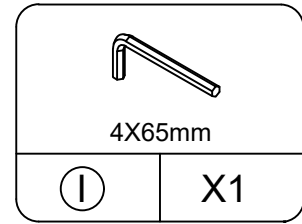
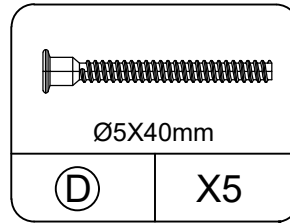
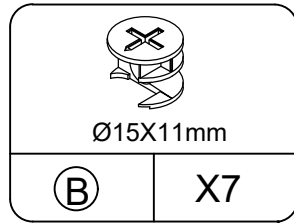
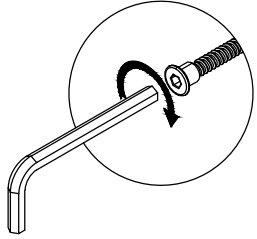
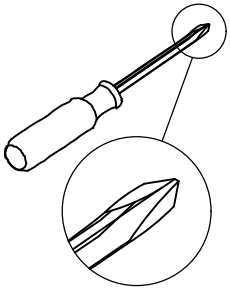
4



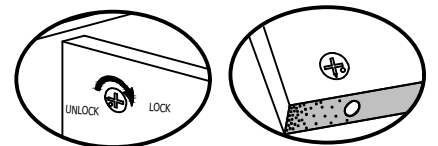
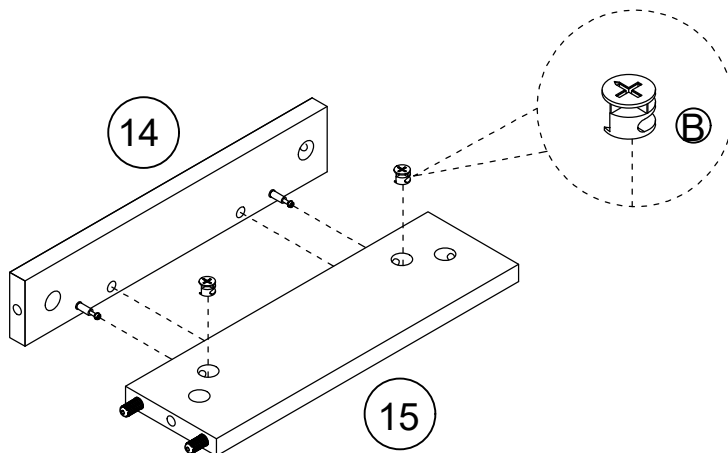
STEP 11



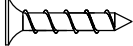
STEP12




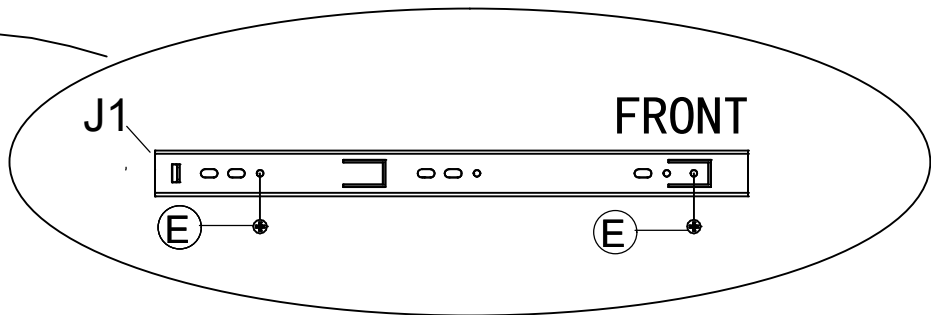
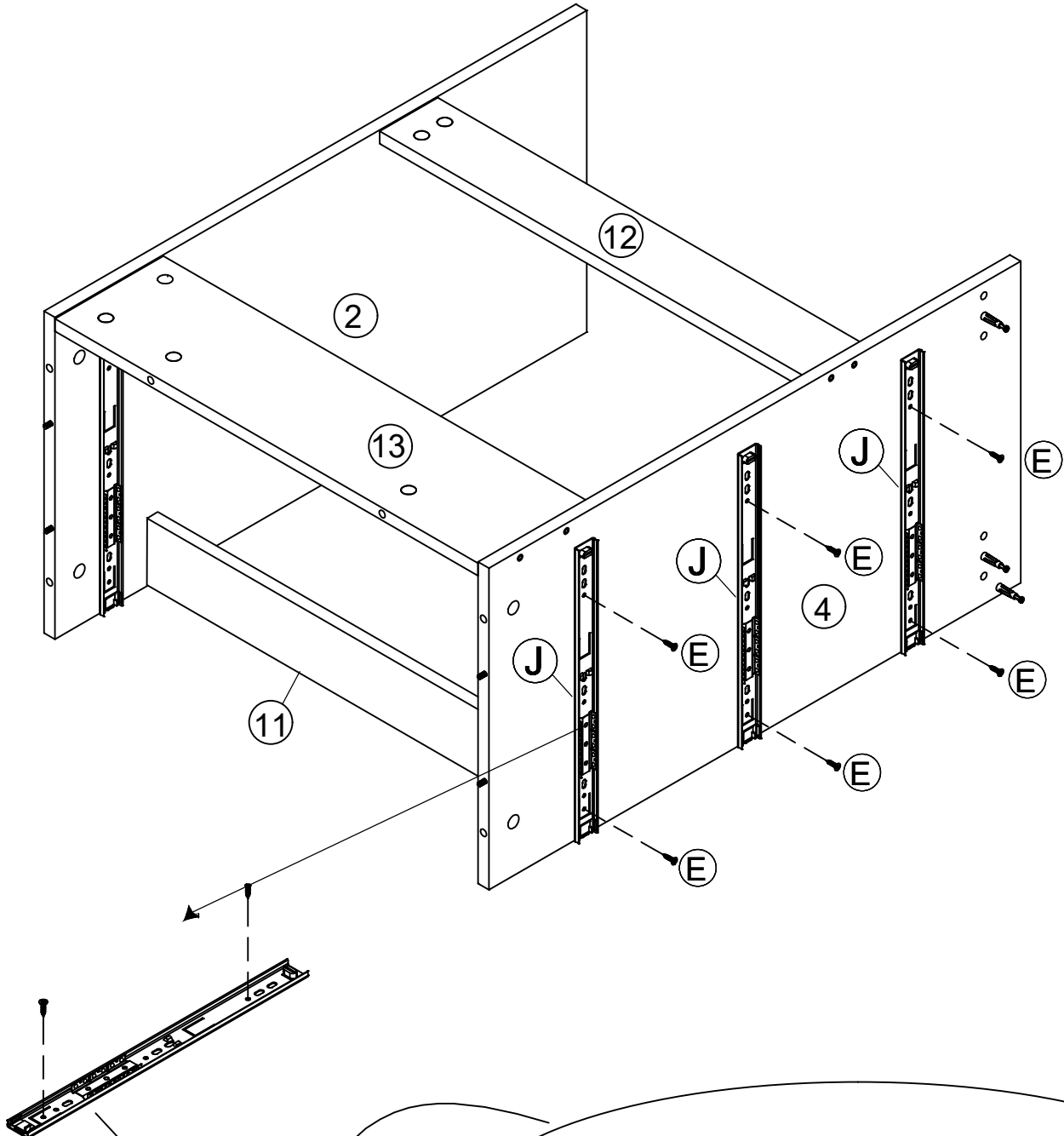
Edge banding



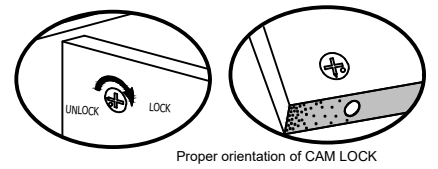
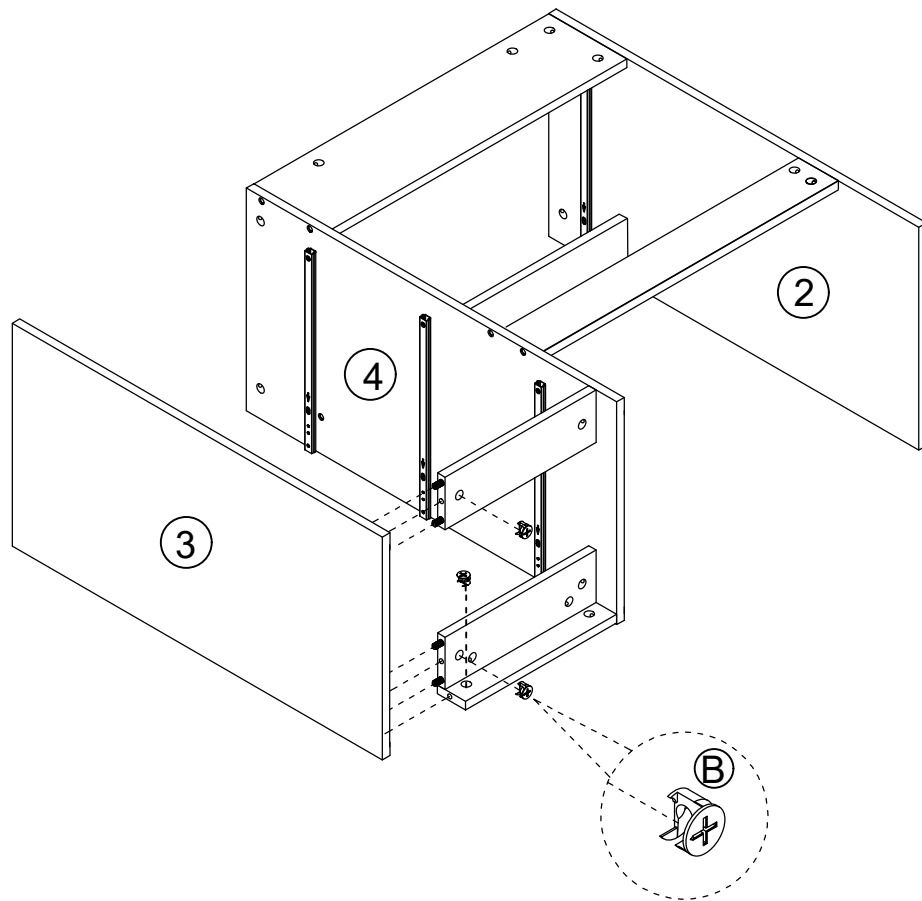
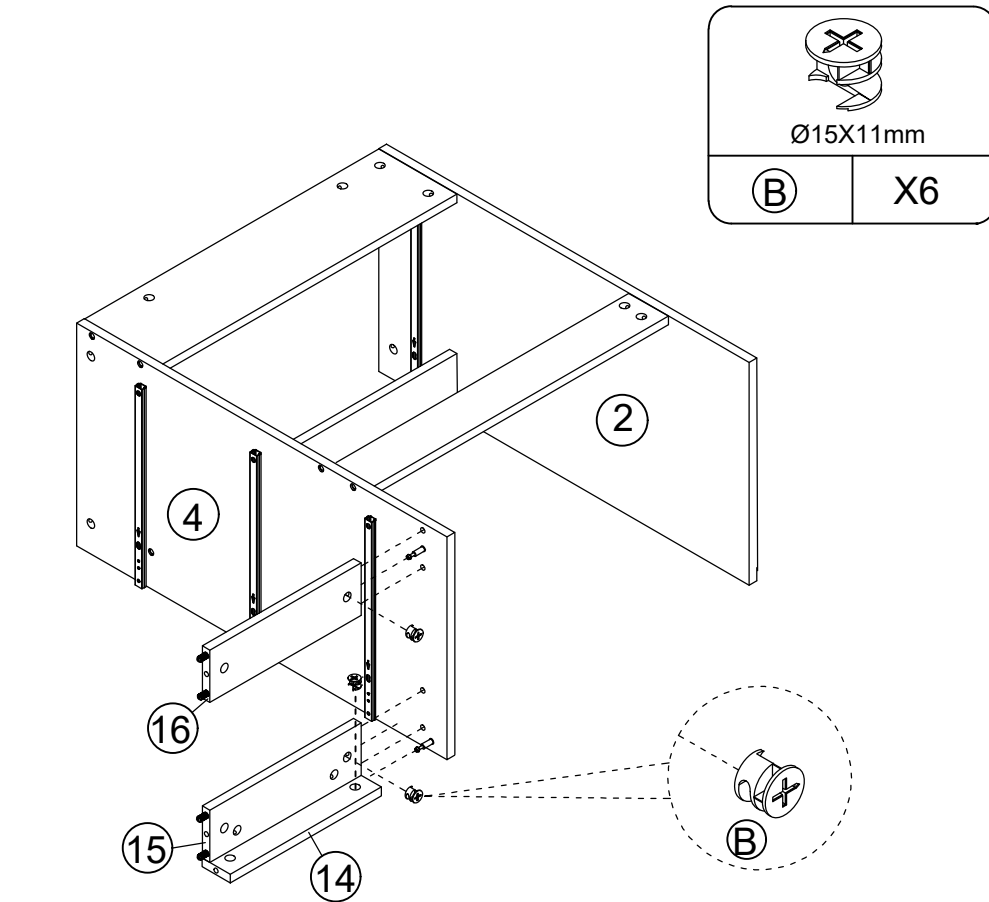
STEP13

 Ø3.5X14mm	
(E)	X 6

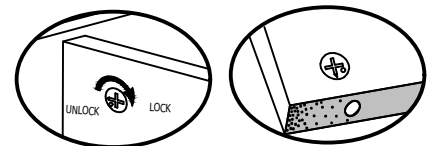
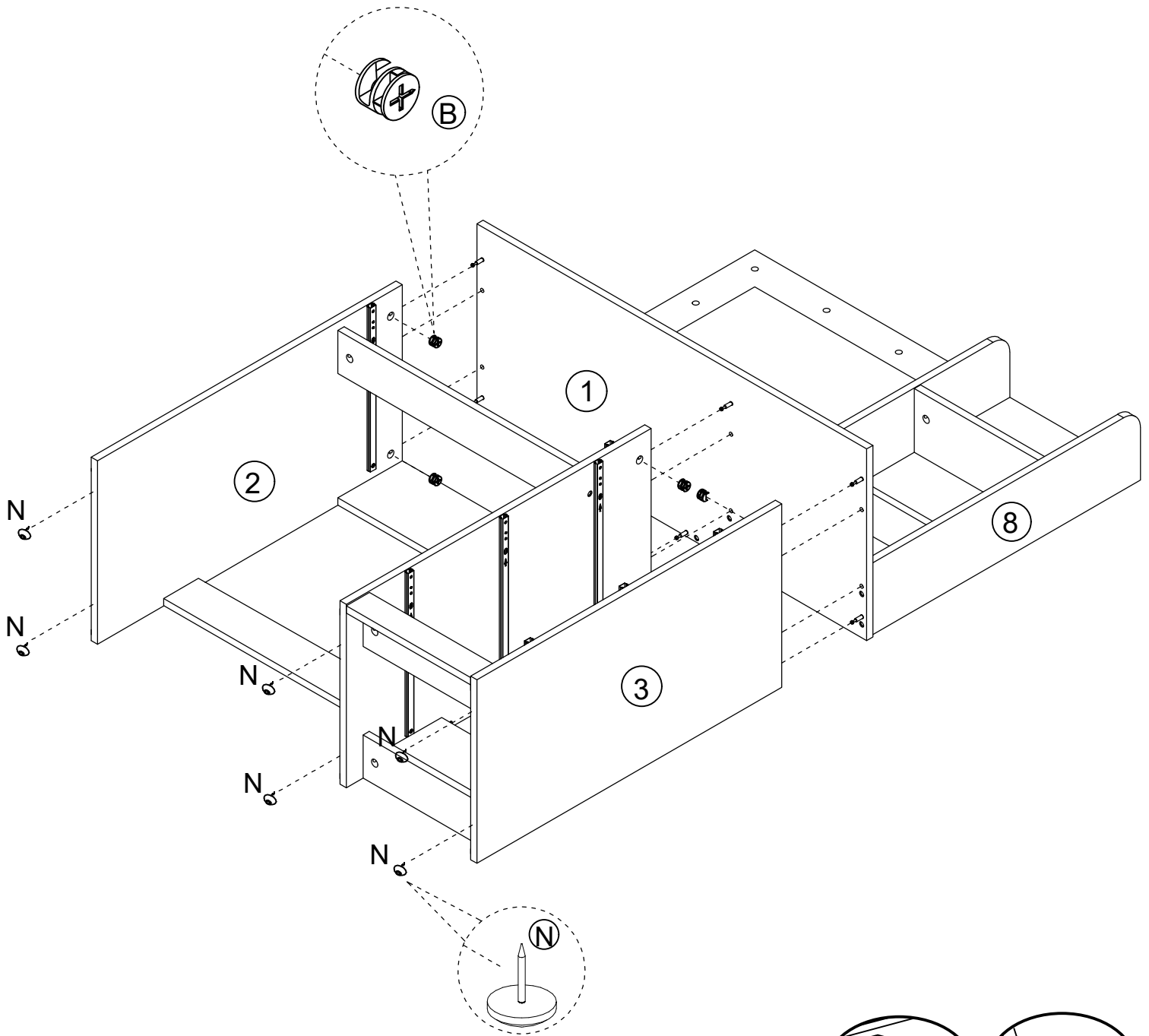
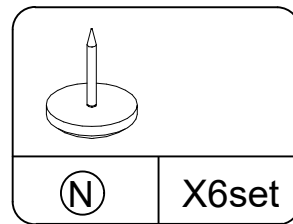
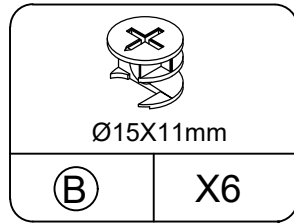
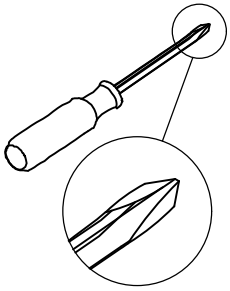
OUTER RUNNER	
	
J1 L=350mm	
(J)	X 3



STEP14

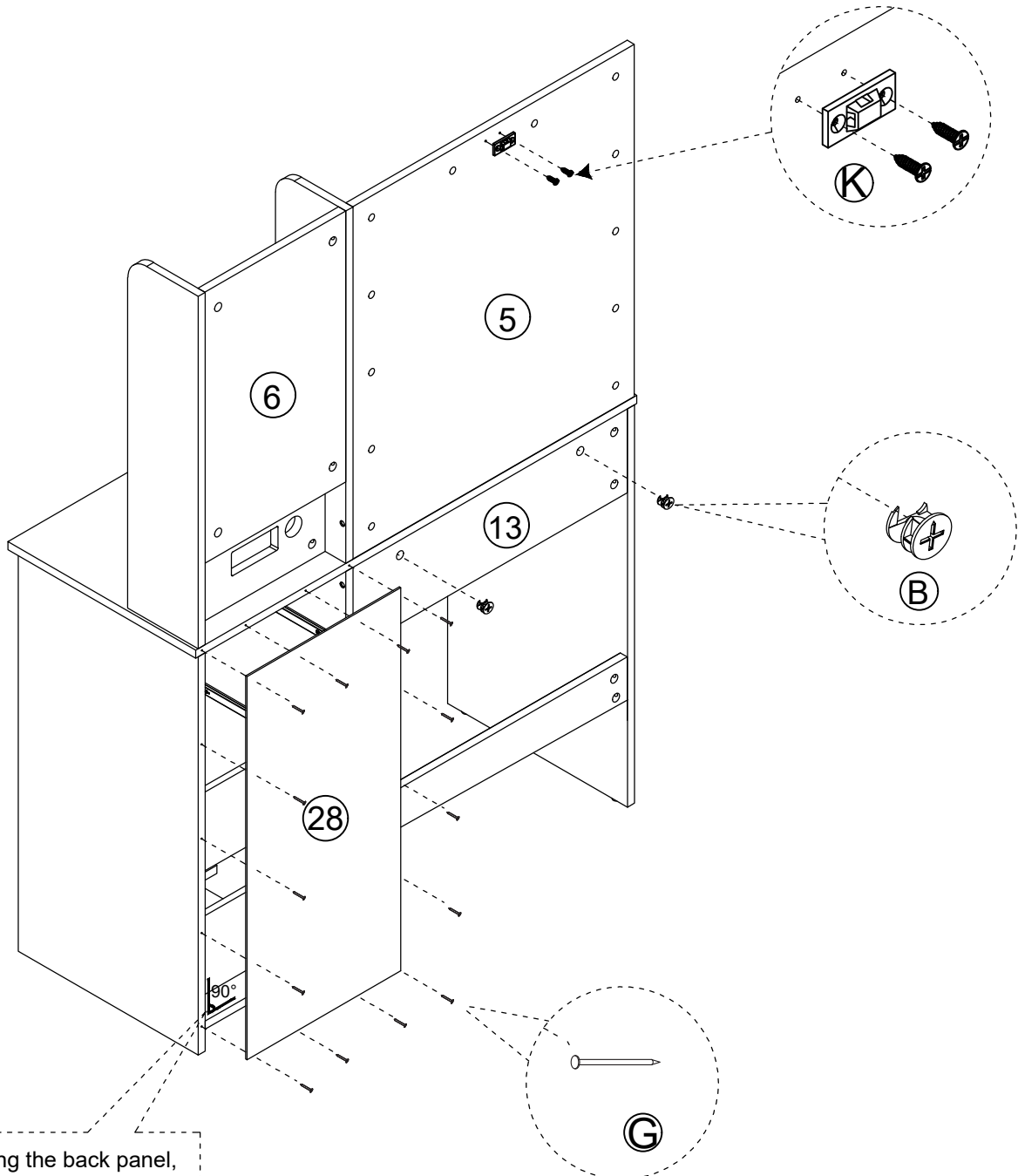
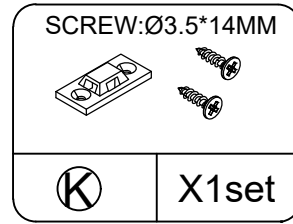
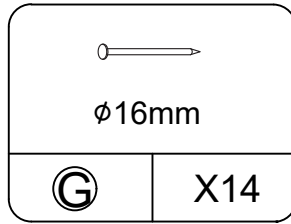
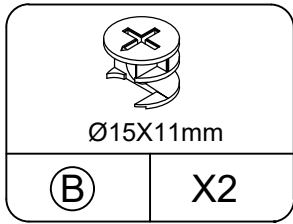
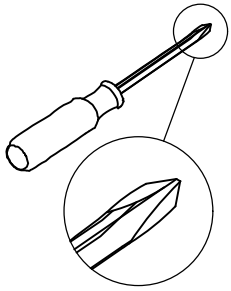


STEP15

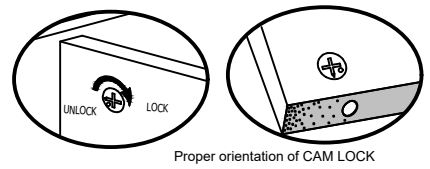


Proper orientation of CAM LOCK

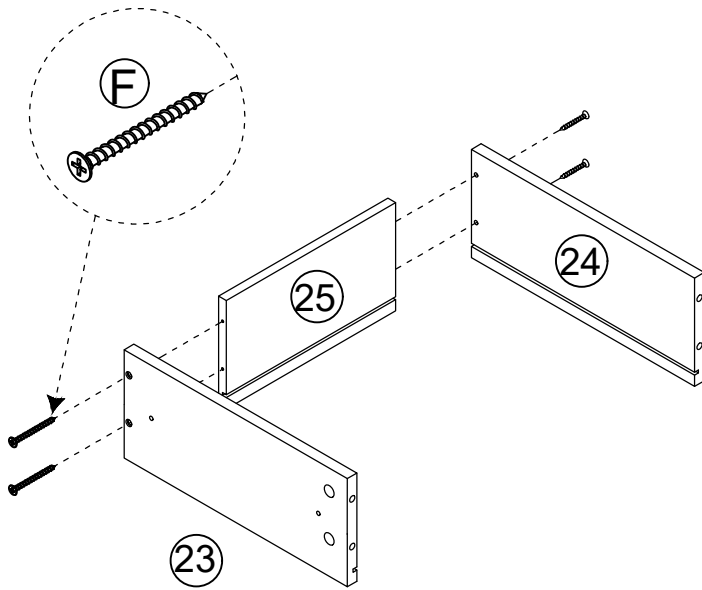
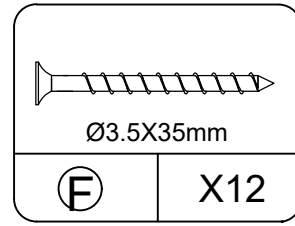
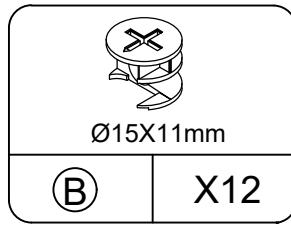
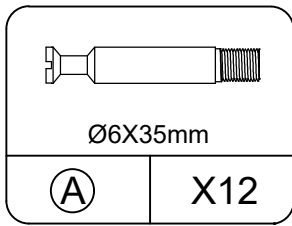
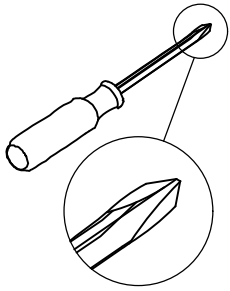
STEP16



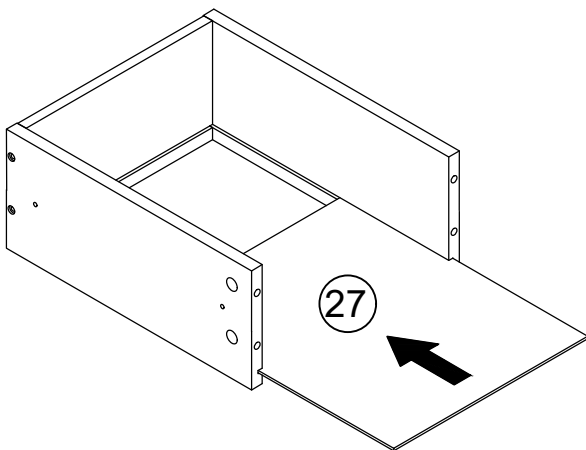
Before attaching the back panel, be sure that the unit is at 90°. Avant de fixer le panneau arrière, assurez-vous que l'unité est à 90°.



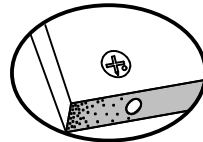
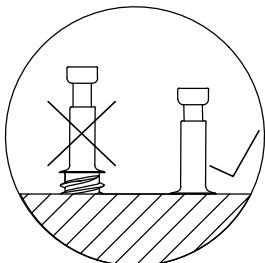
STEP 17



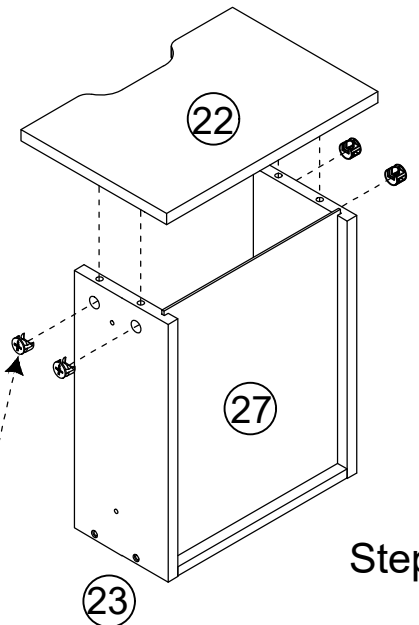
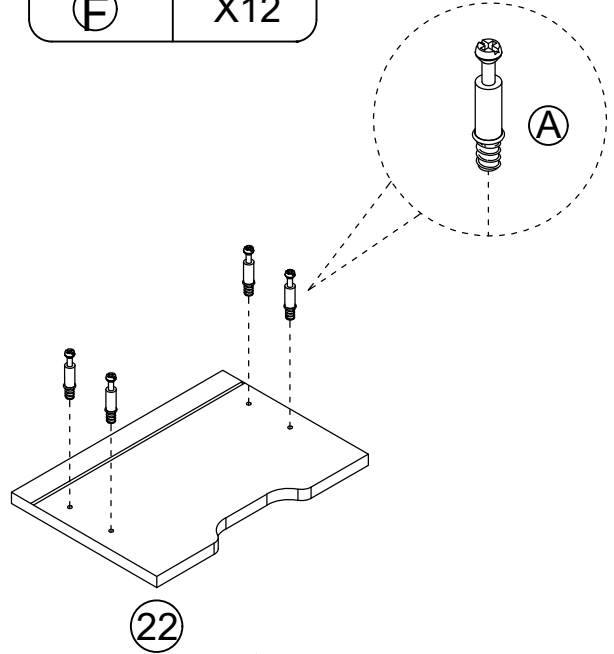
Step 1



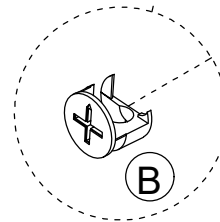
Step 2



Proper orientation of CAM LOCK

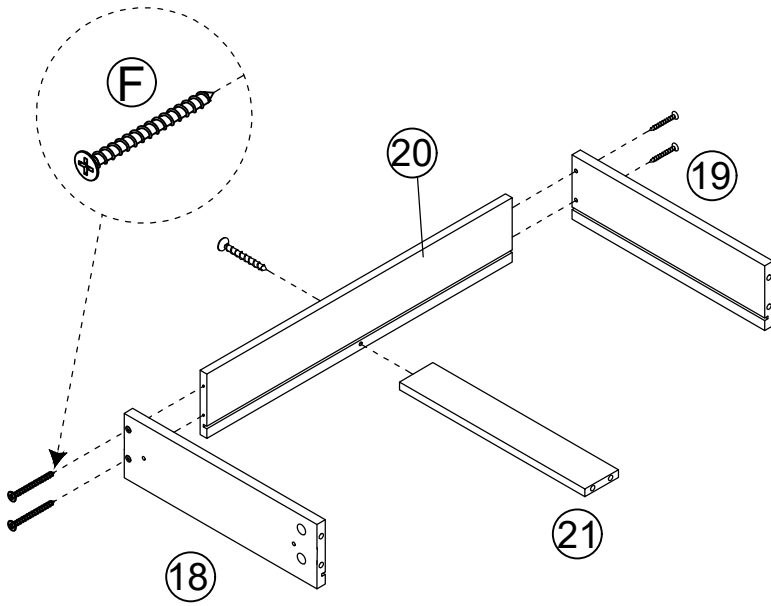
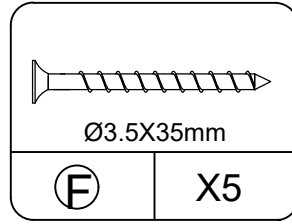
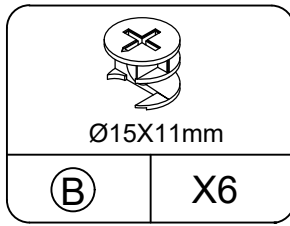
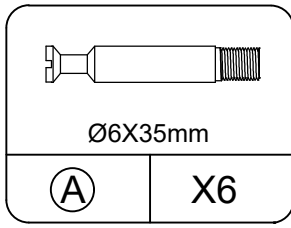
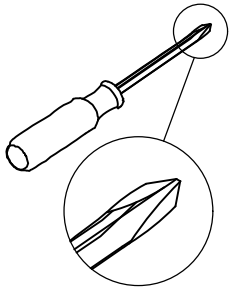


Step 3

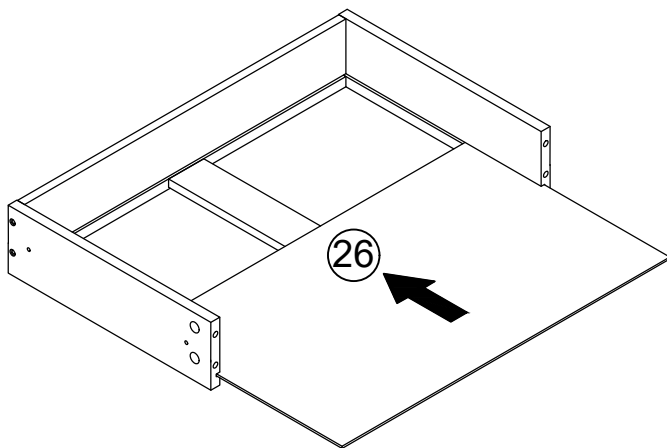


X3

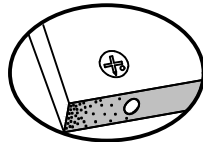
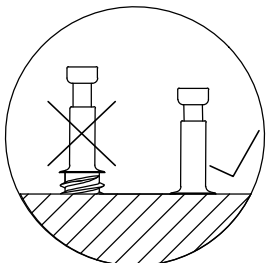
STEP 18



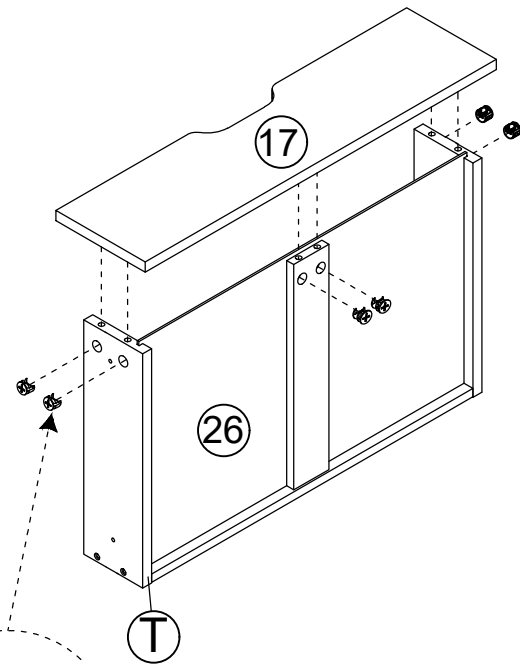
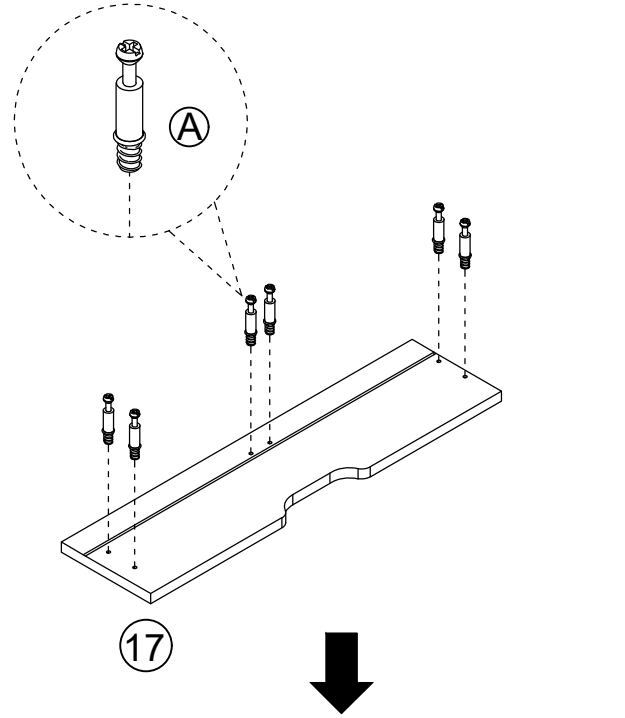
Step 1



Step 2

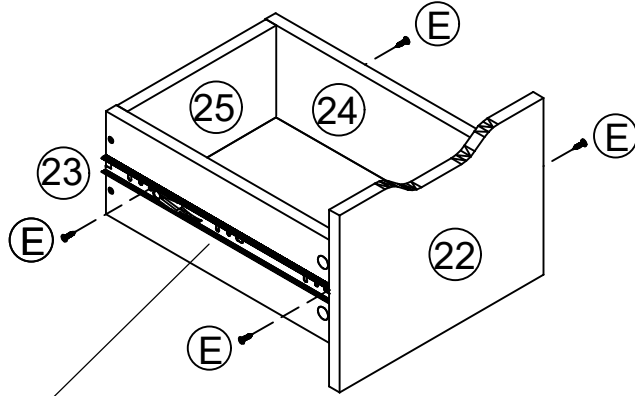
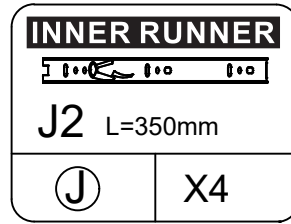
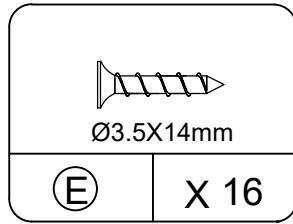


Proper orientation of CAM LOCK

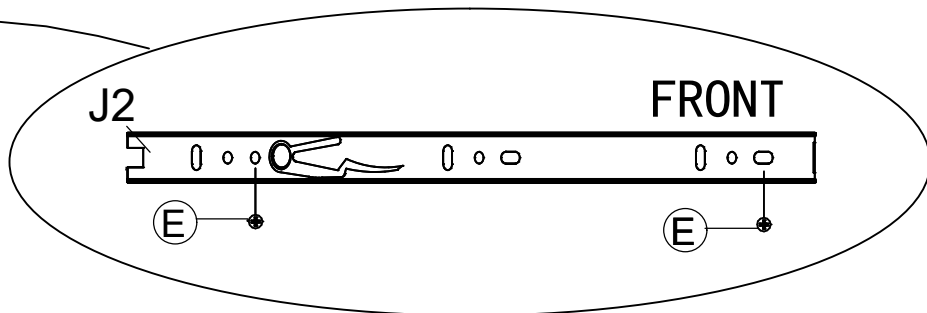
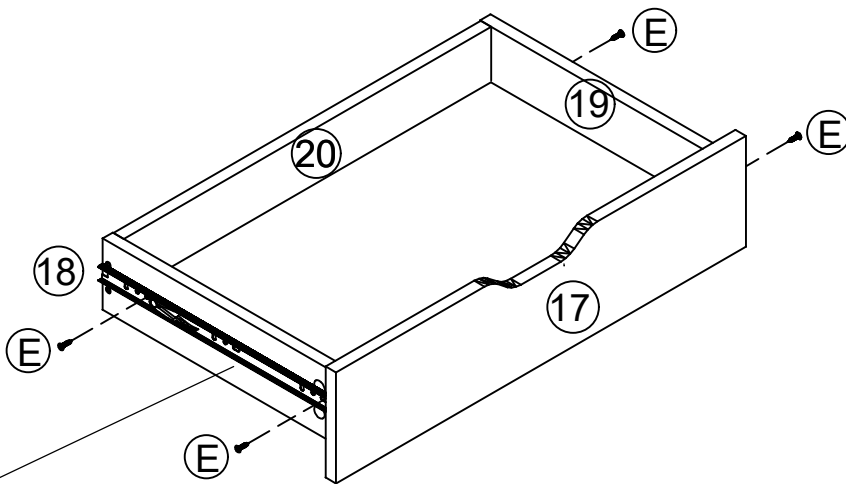


Step 3

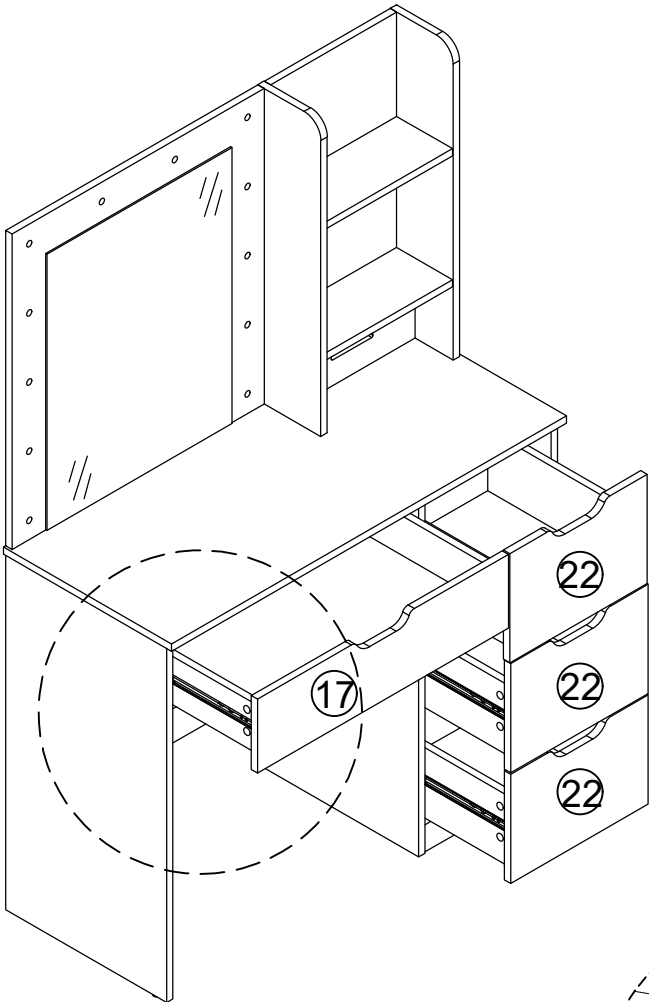
STEP19



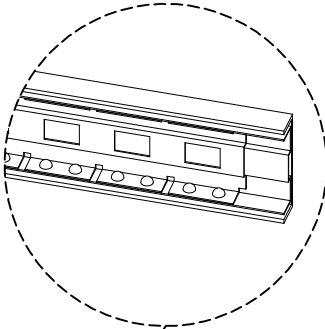
X3



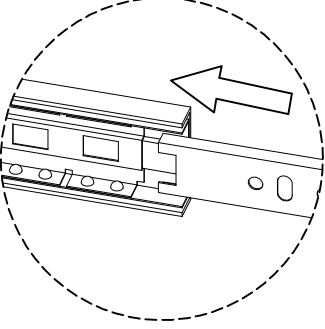
STEP20



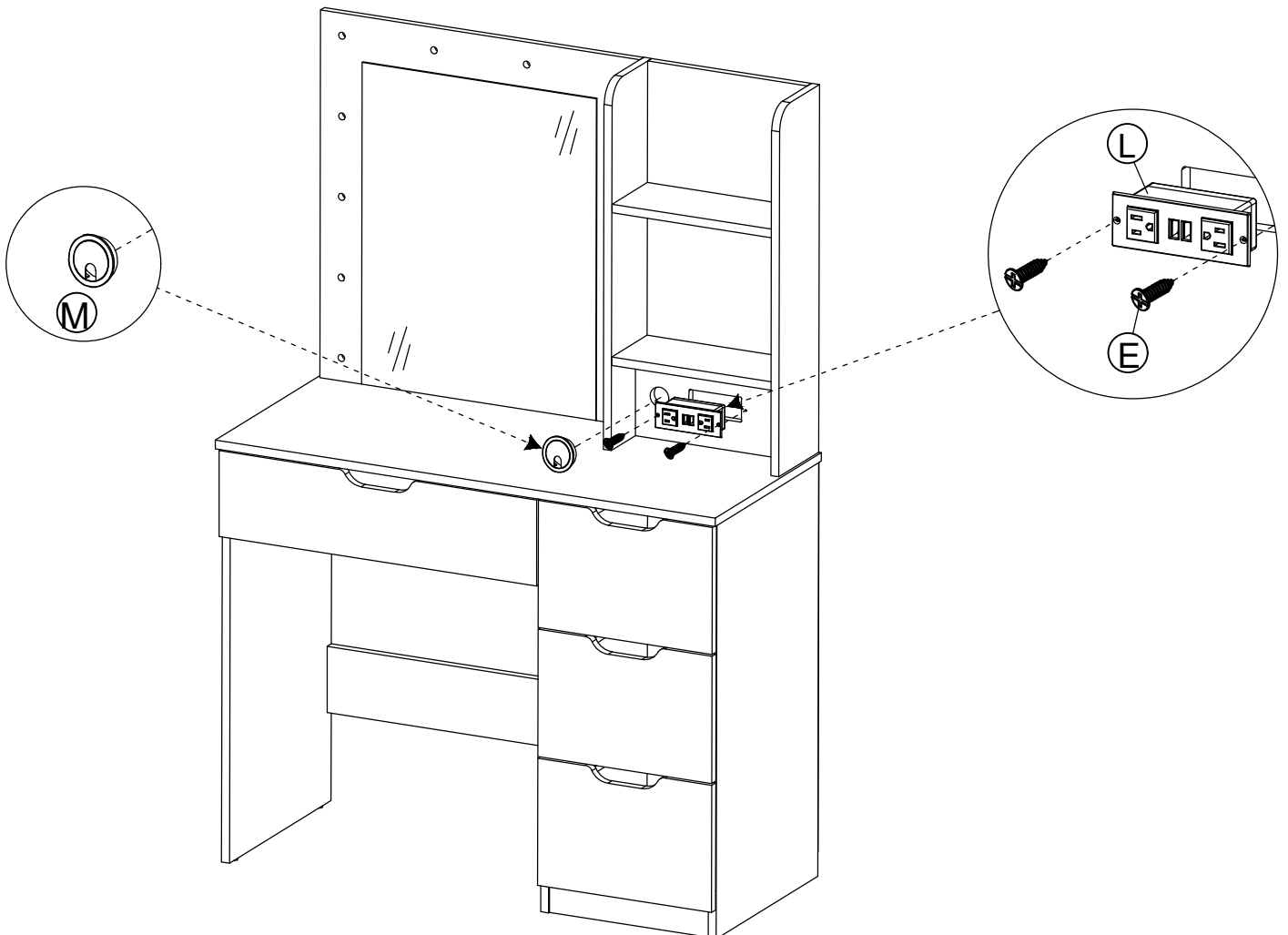
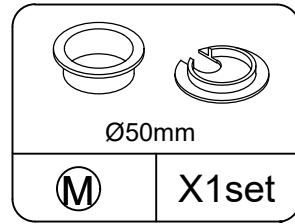
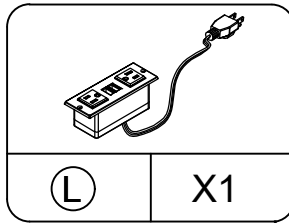
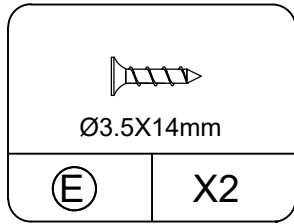
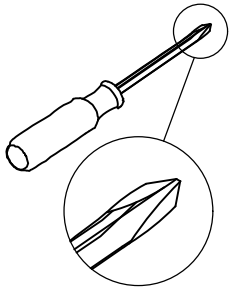
Step 1



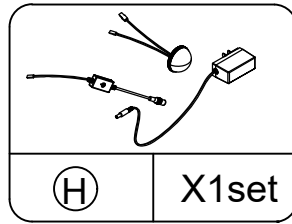
Step 2



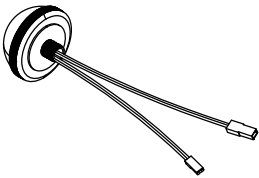
STEP21



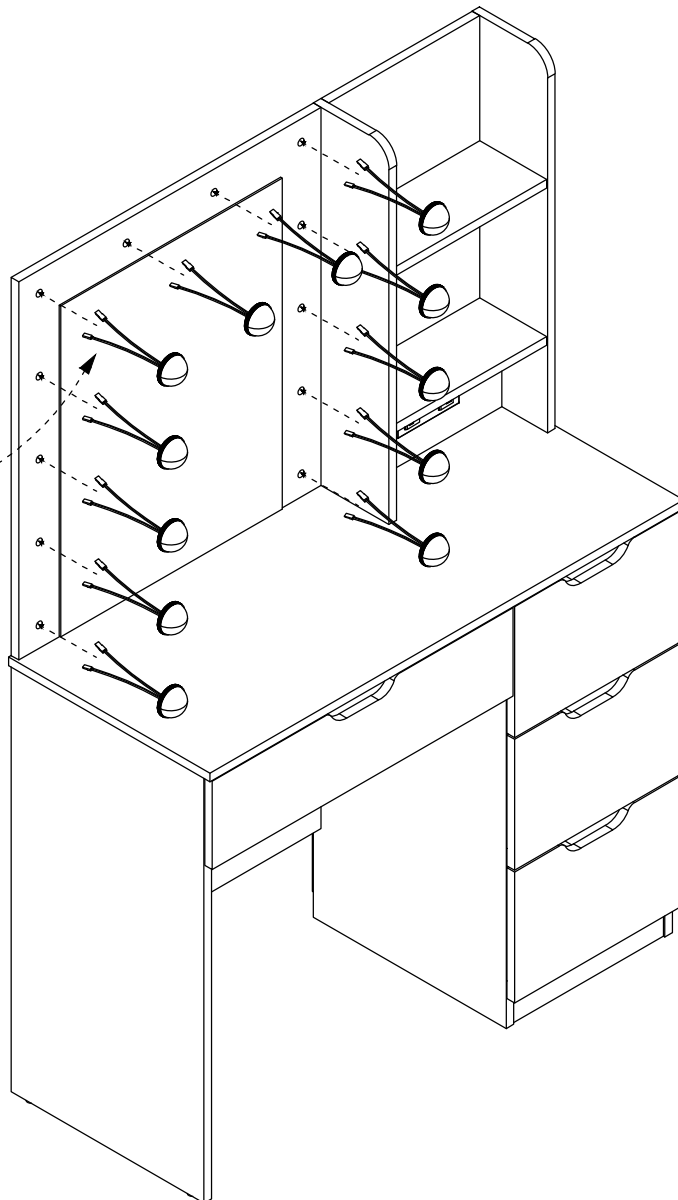
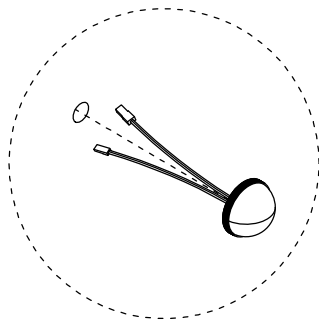
STEP22



Pass the bulb wire through the pre punched plate, then gently press the bulb and make it adhere to the plate.



Tear off a layer of 3M polyethylene foam.

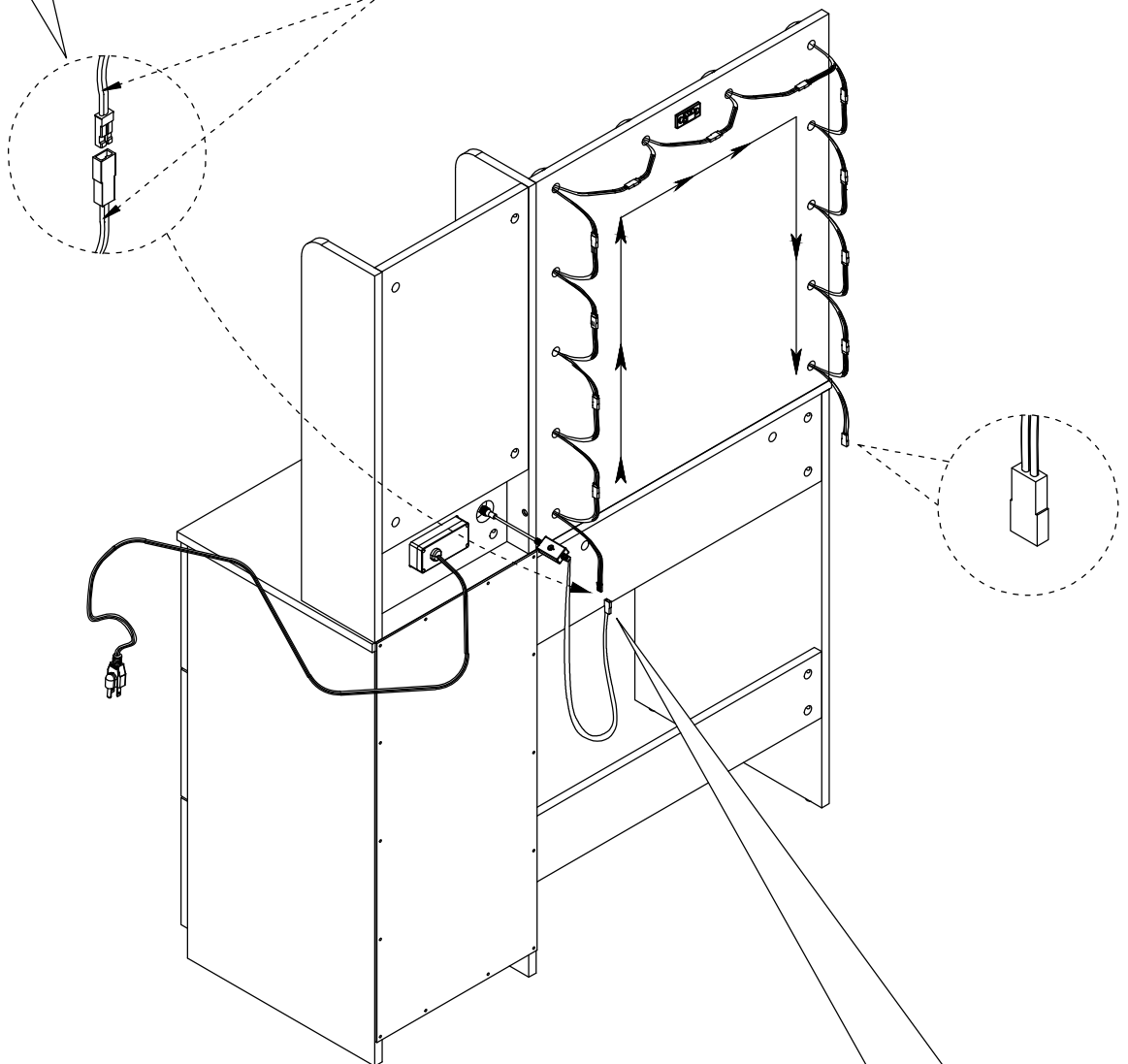


STEP23

Connect the adjacent bulbs successively through the opposite wire head slot (corresponding to the same color line).

When connecting the interface, please note that the colors of the wires at both ends correspond one by one

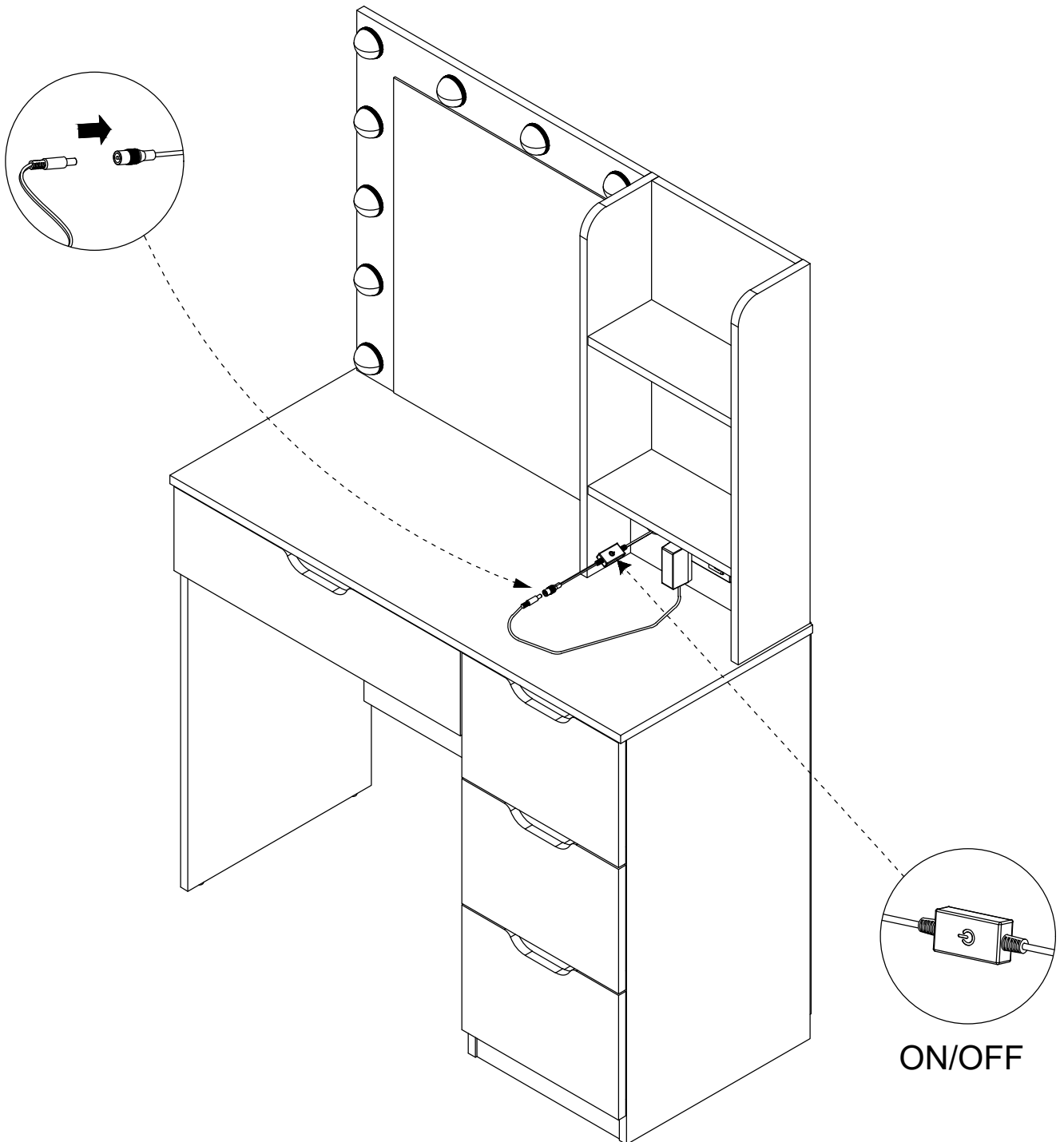
same color correspond



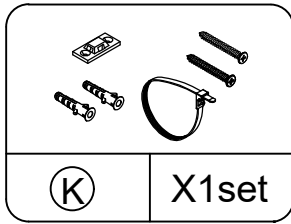
Connect the lights according to the figure. First connect the switch with the first bulb, and then connect other bulbs in series.

STEP24

When making up, you can use the switch to turn on or off the light. The dressing table brings you 3 color temperature light modes, touch the button you can easily light up the mirror and change colors to meet your different needs, long press to adjust the brightness.



STEP25



NOTE:The tipping restraint hardware included is for wooden stud wall construction. It must be attached to a wall stud. Depending upon your wall construction different anchor hardware maybe required. Please contact your local hardware store for assistance. Young children can be seriously injured by tipping furniture. You must install the tipping restraint hardware with the unit to prevent the unit from tipping, causing any accidents or damage. The tipping restraints are intended only as a deterrent and are not a substitute for proper adult supervision. The tipping restraints are not earthquake restraints. If you wish to add the extra security of earthquake restraints, they must be purchased and installed separately.

Install the tipping restraint hardware

