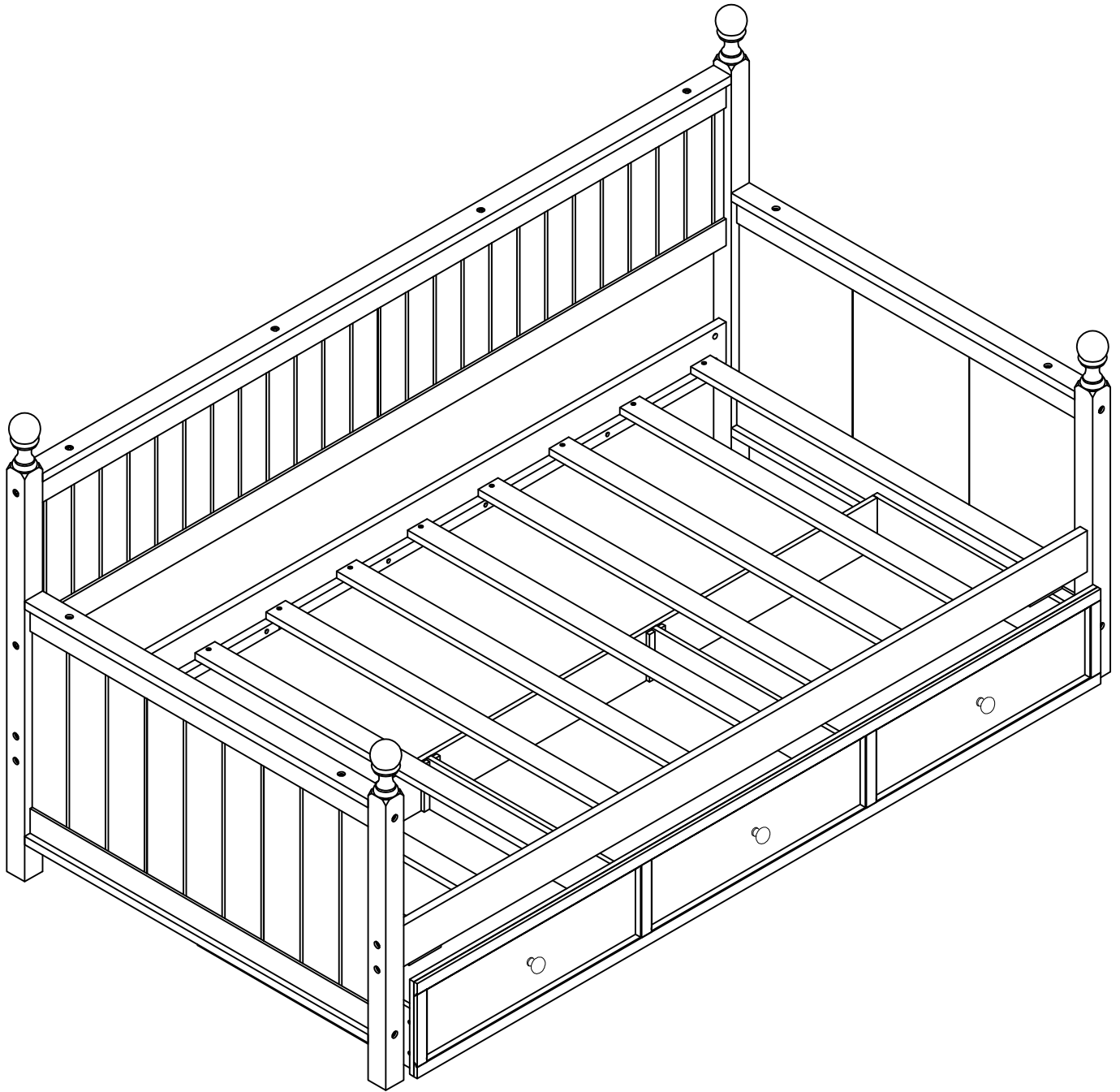
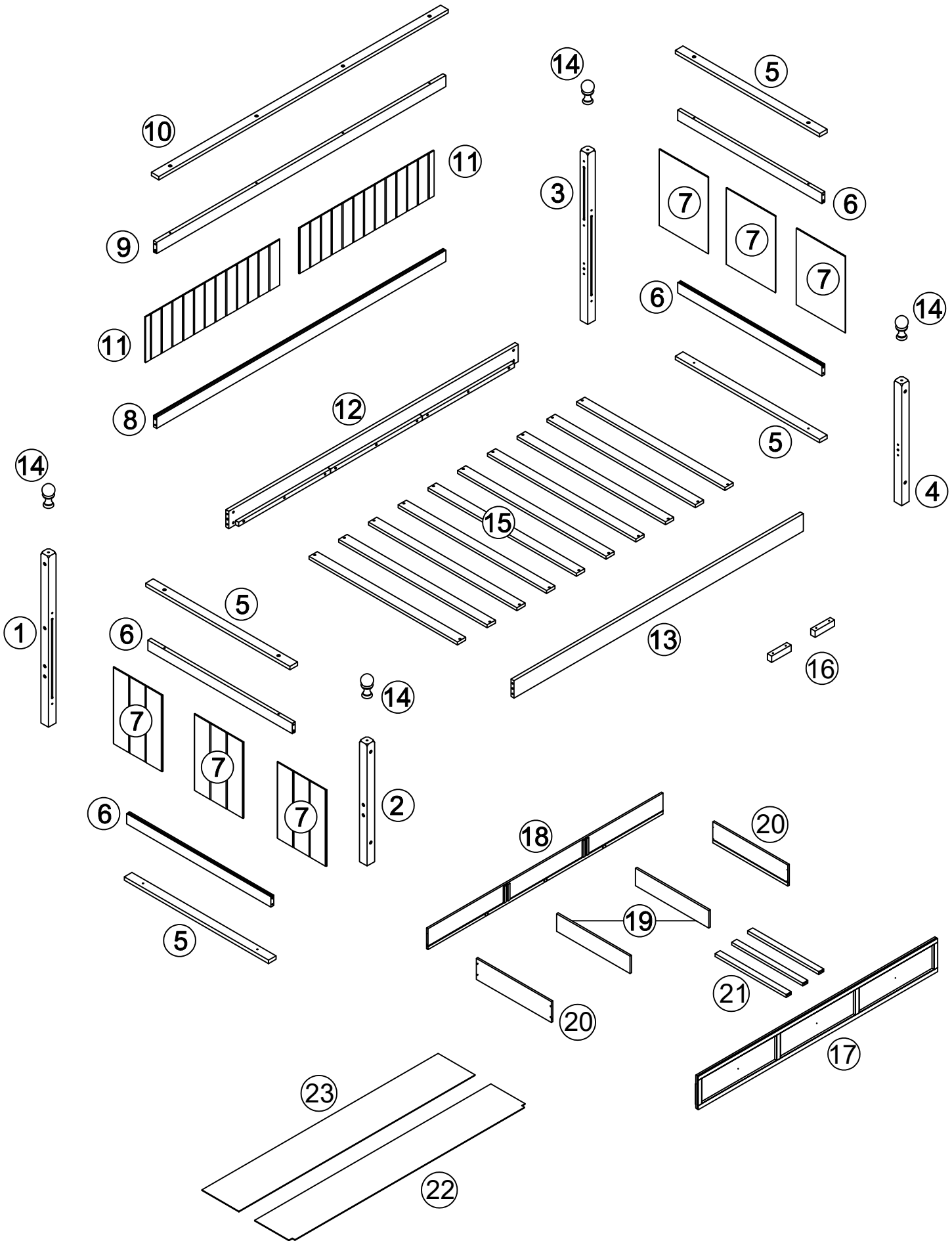



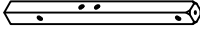

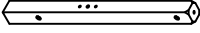
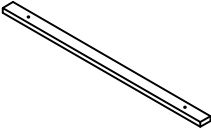
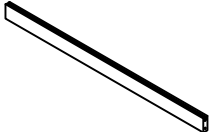
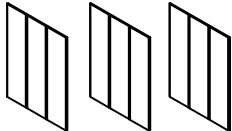

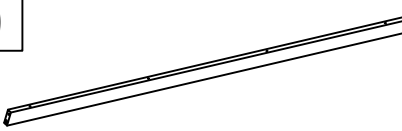

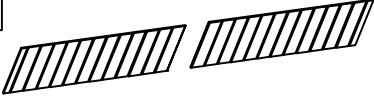
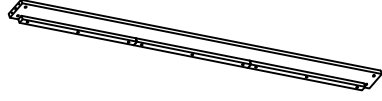
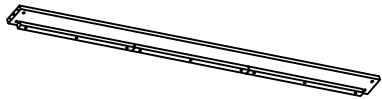
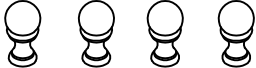
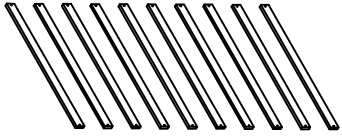
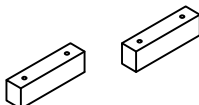
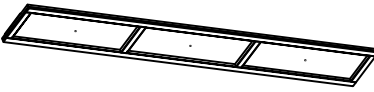
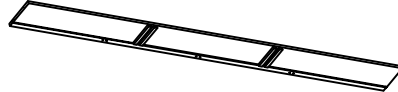
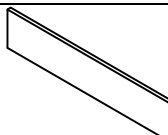
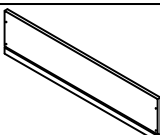
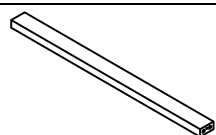
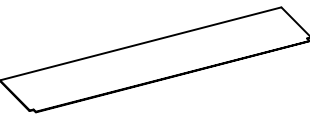
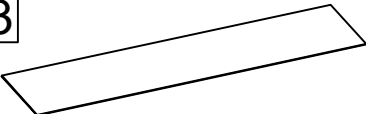
# ASSEMBLY INSTRUCTIONS

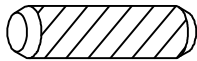
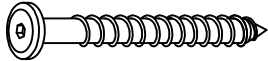
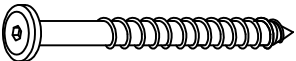


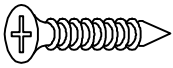

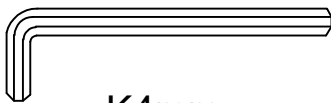
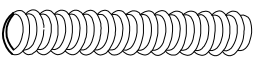

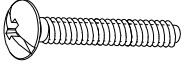
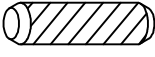

## DAYBED WITH 3 DRAWER



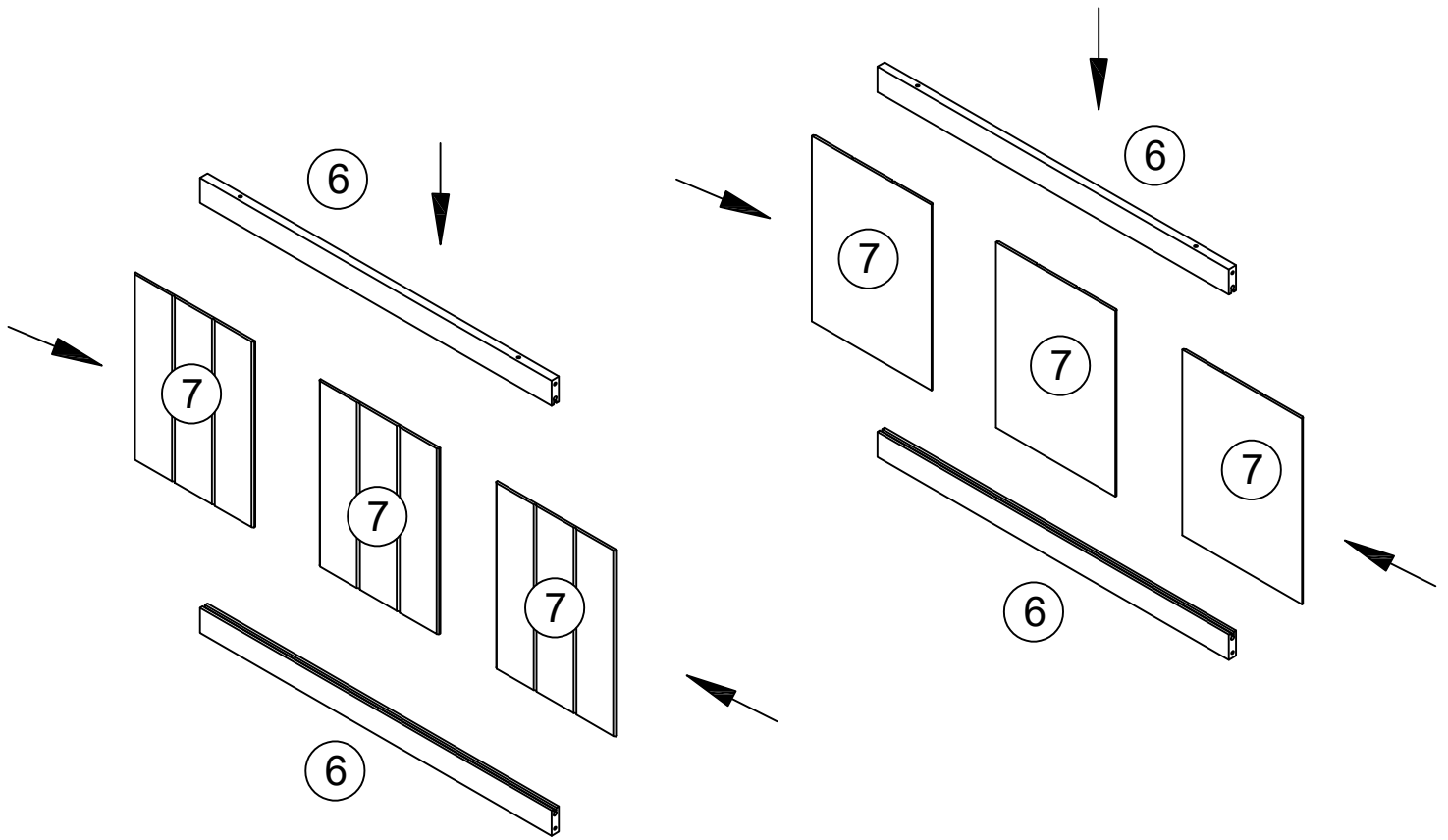
# Detail View



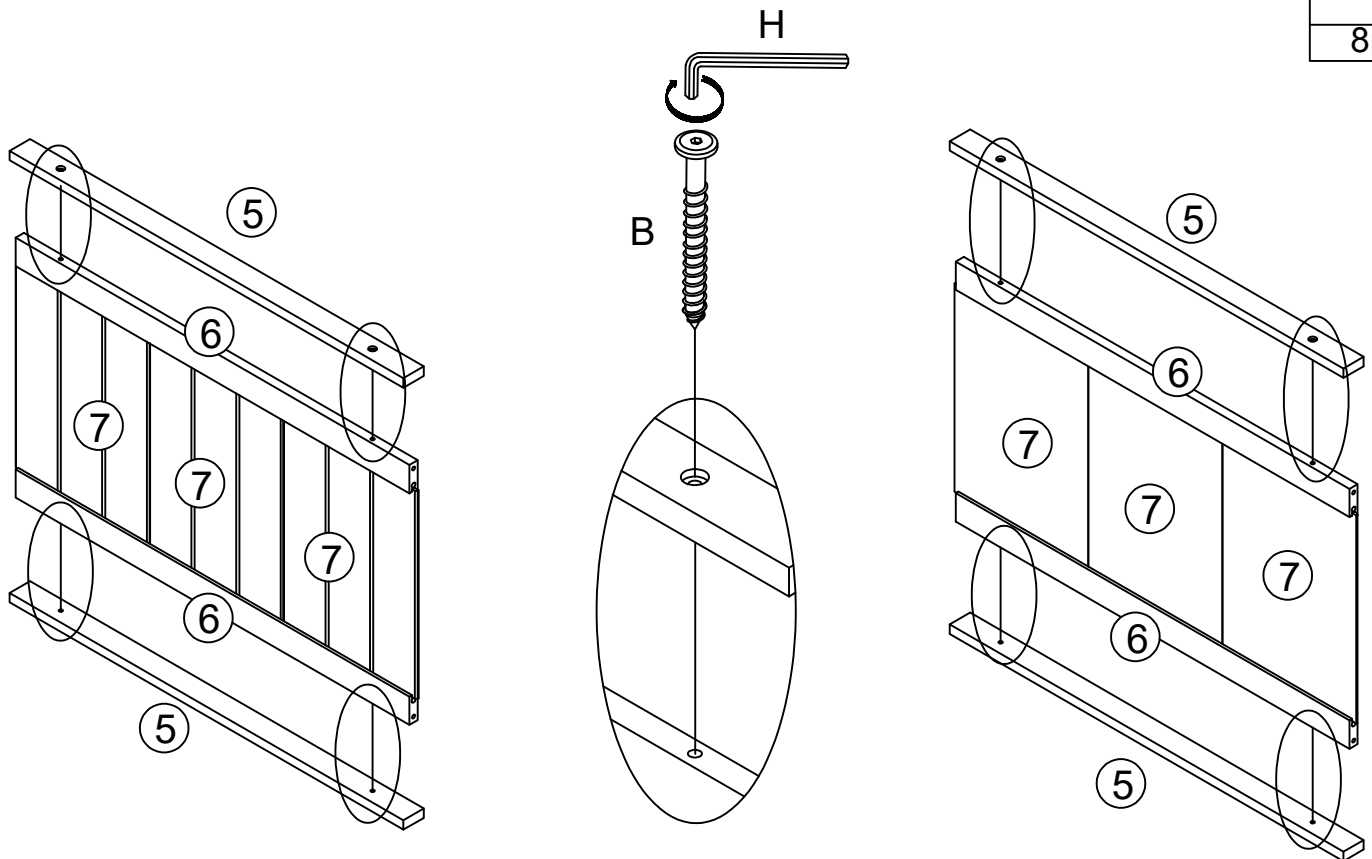
1		2		3	
Hind leg (left) - 1pc		Front leg (left) - 1pc		Hind leg (right) - 1pc	
4		5		6	
Front leg (right) - 1pc		Cladding bar - 4pcs		Grooved crossbar - 4pcs	
7		8		9	
Cladding frame - 6pcs		Lower crossbar - 1pc		Upper crossbar - 1pc	
10		11		12	
Beam face - 1pc		Cladding bar - 2pcs		Bed shoulder (back) - 1pc	
13		14		15	
Bed shoulder (front) - 1pc		Decorative piece - 4pcs		Slats - 10pcs	
16		17		18	
Drawer blocker - 2pcs		Drawer front frame - 1pc		Drawer back frame - 1pc	
19		20		21	
Drawer panel - 2pcs		Side drawer - 2pcs		Drawer support - 3pcs	
22		23			
Drawer shelf with mount - 1pc		Drawer shelves - 1pc			

<b>A</b>  Ø10*30mm Wood dowel (16pcs)	<b>B</b>  Ø6*50mm Hex-Head screw (12pcs)	<b>C</b>  Ø6*100mm Hex-Head screw (12pcs)
<b>D</b>  Ø1/4" Horizontal-Hole bolt (8pcs)	<b>E</b>  #4*30mm Screw (38pcs)	<b>F</b>  #3.5*15mm Screw (8pcs)
<b>G</b>  Ø26mm Caster (4pcs)	<b>H</b>  K4mm Allen key (1pc)	<b>M</b>  Ø5/16" x 60 mm Headless bolt (4pcs)
<b>K</b>  Ø30 mm Wood Handle 3pcs	<b>L</b>  Ø5/32" x 20mm Philip-Head bolt ( 3pcs )	<b>U</b>  Ø8*30mm Wood dowel (12pcs)
<b>N</b>  Ø1/4"*100mm Hex-Head bolt (8pcs)		

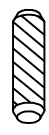

# Step 1

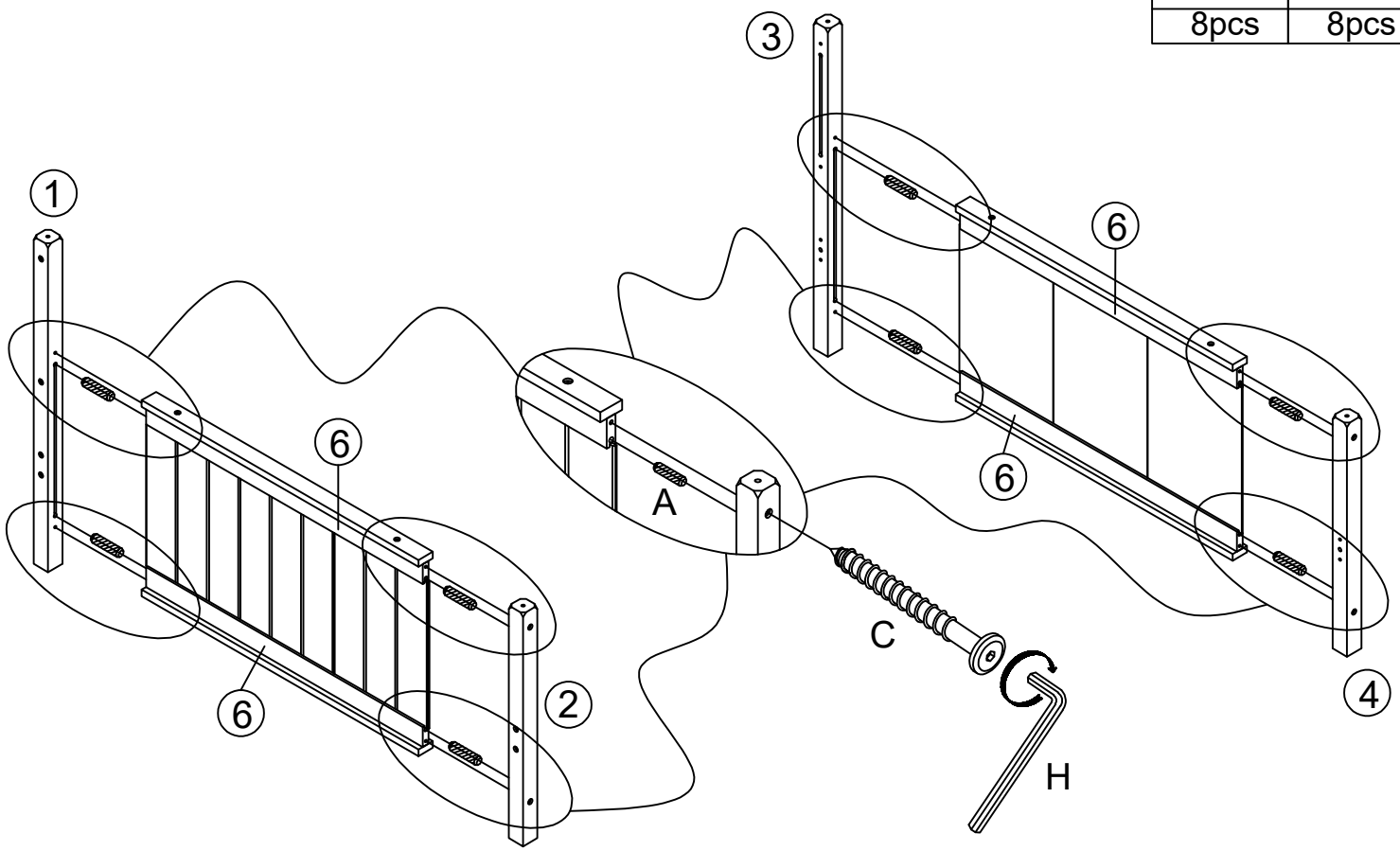


# Step 2

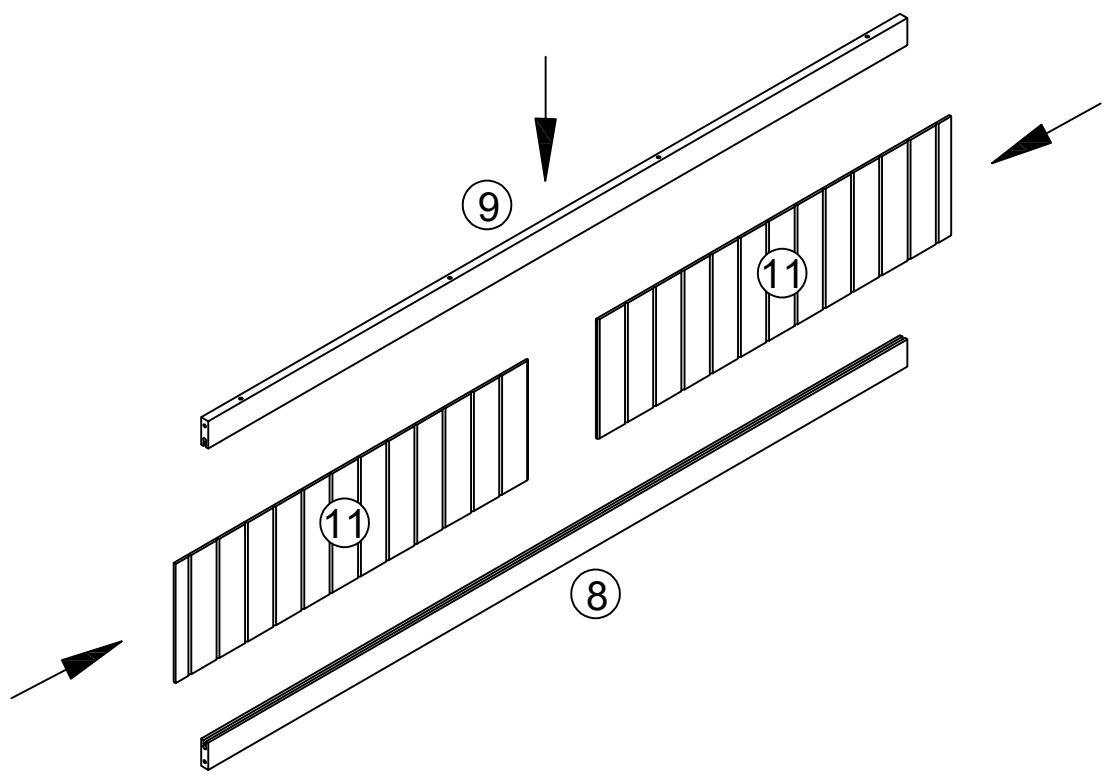


# Step 3

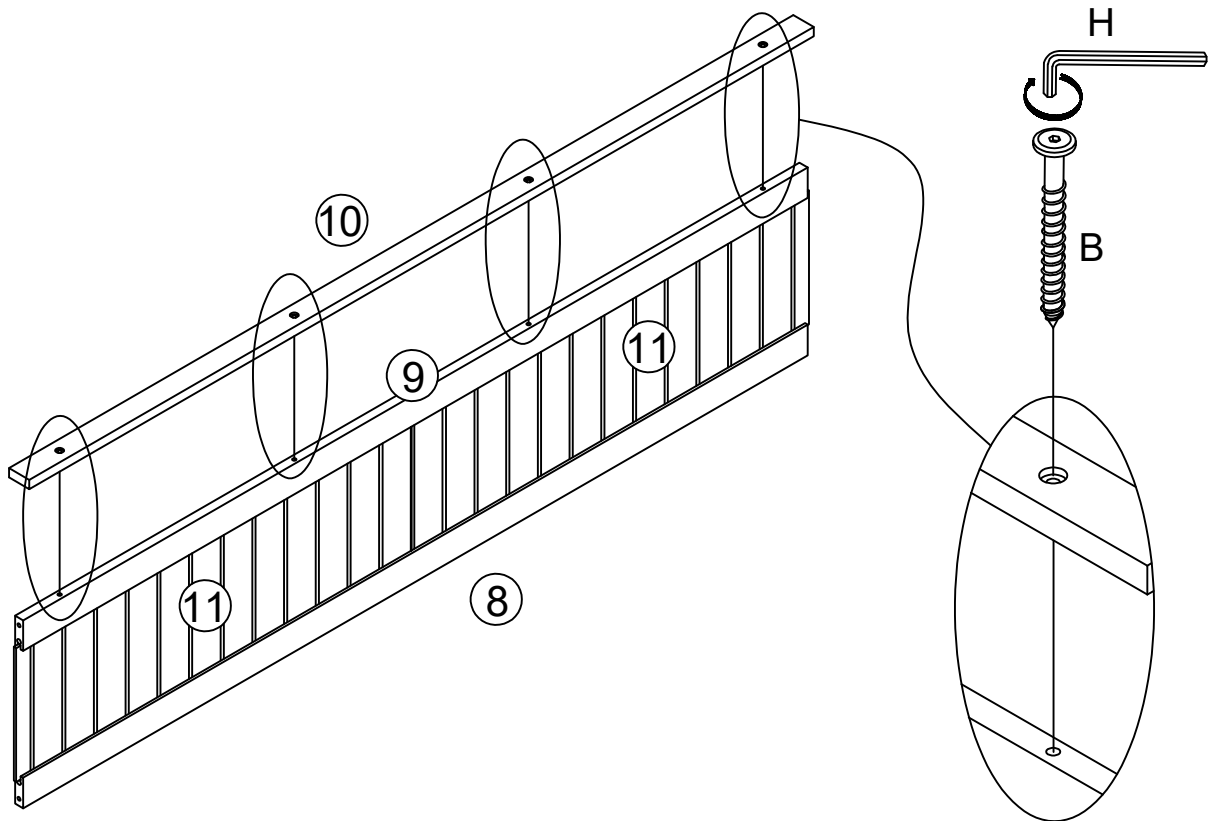
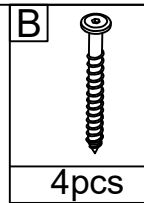
A		C	
8pcs		8pcs	



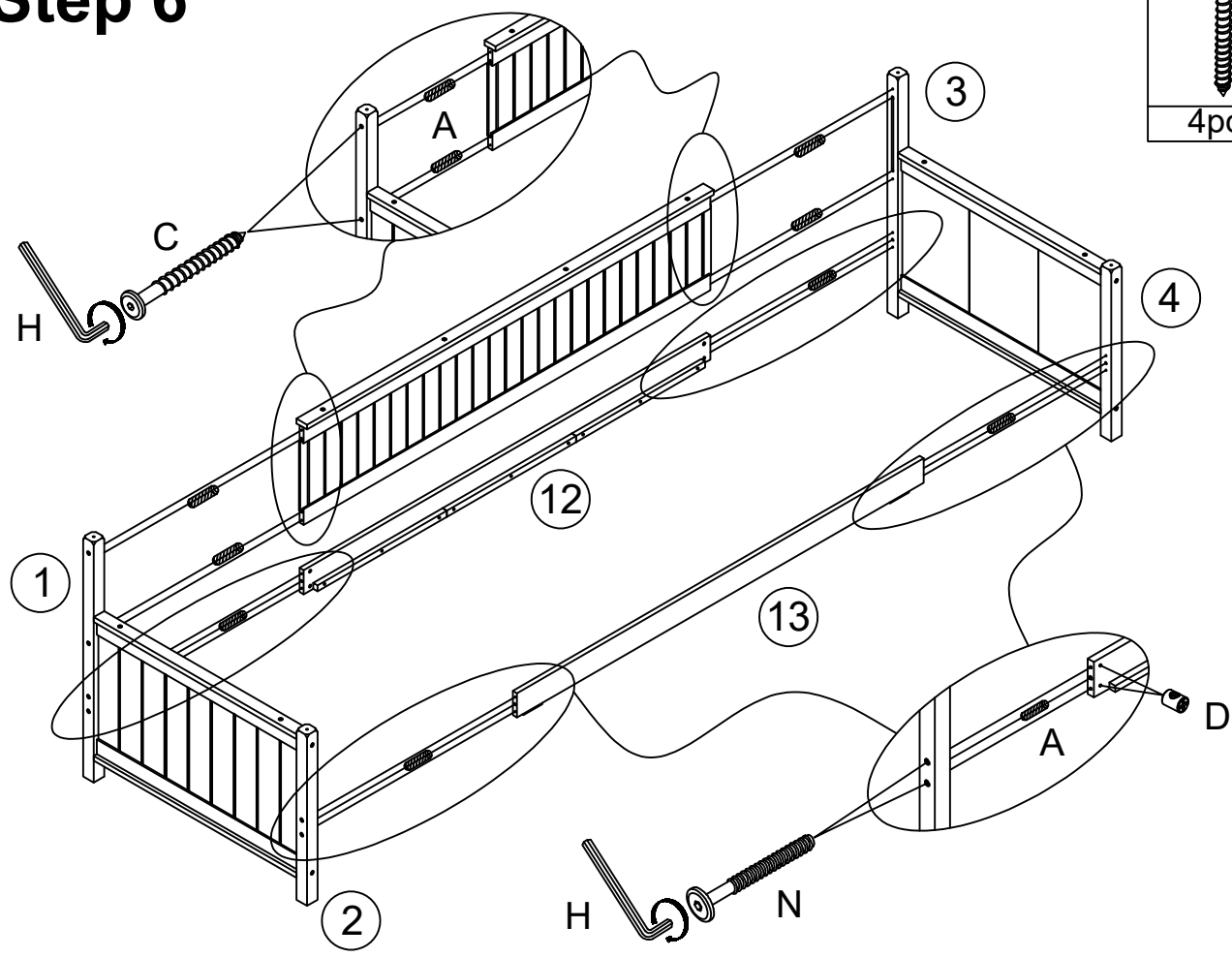
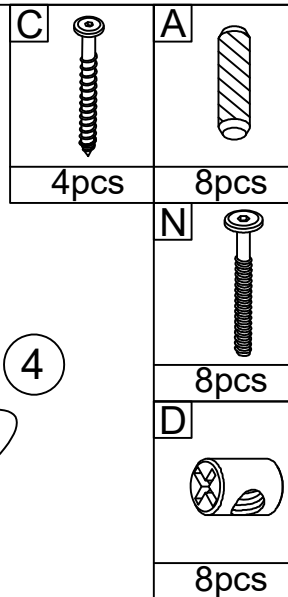
# Step 4



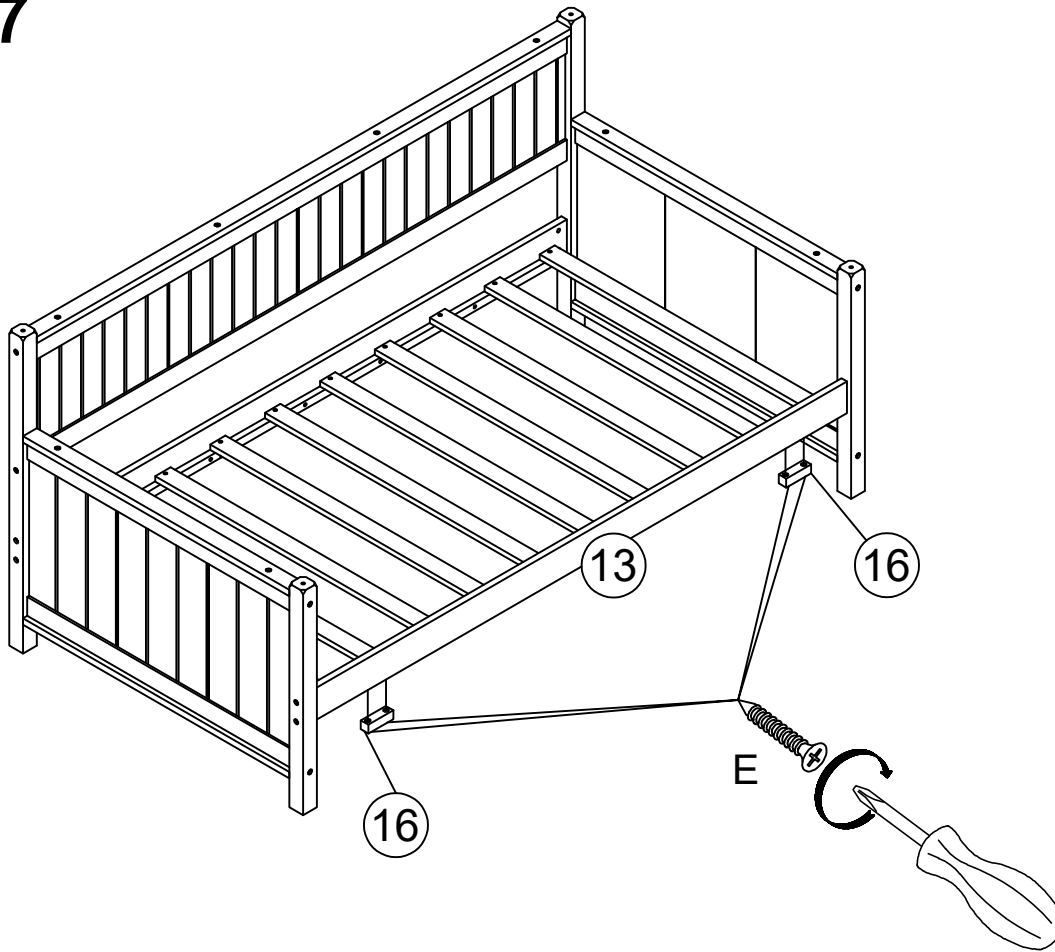
# Step 5



# Step 6

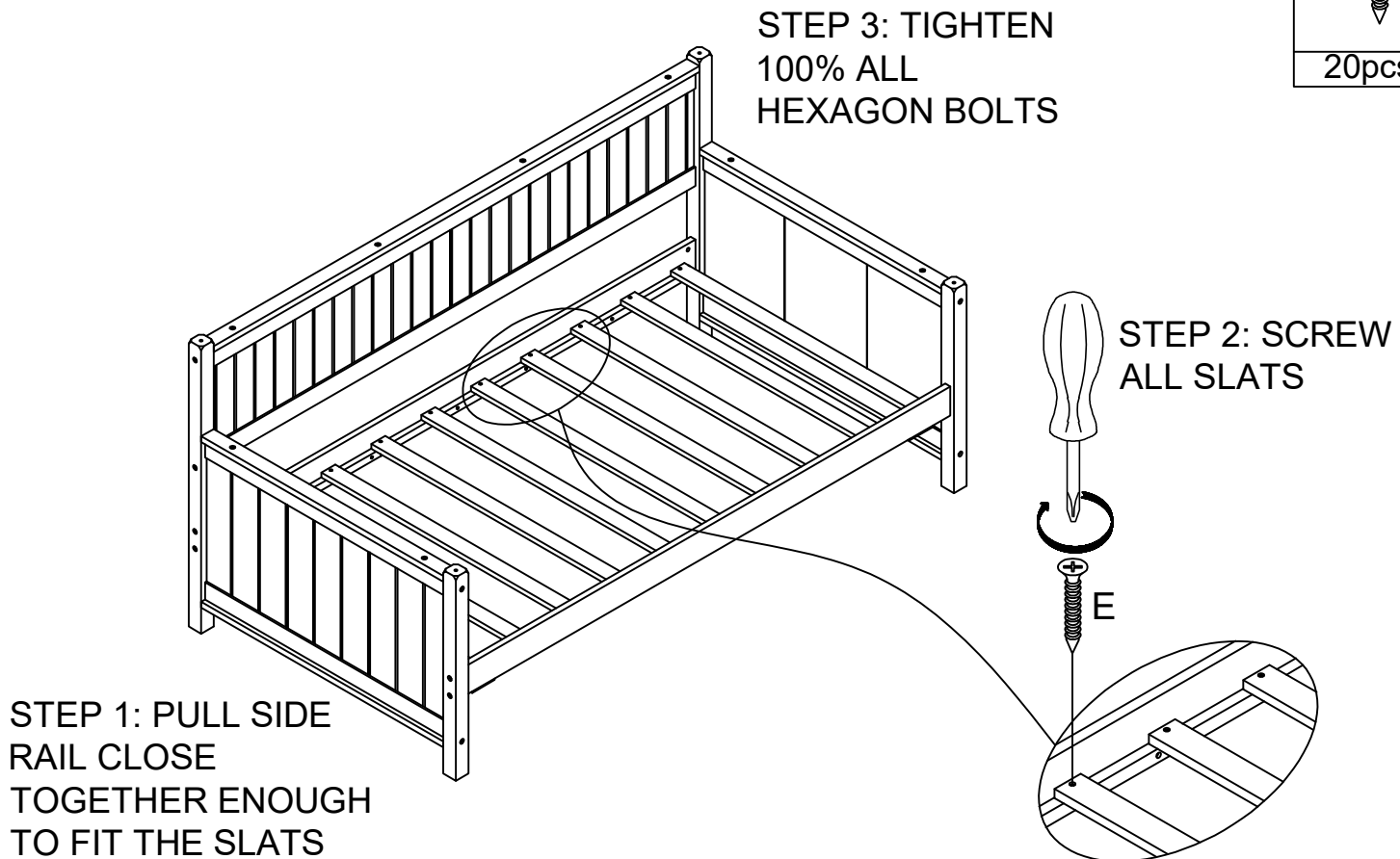


# Step 7




E  
4pcs

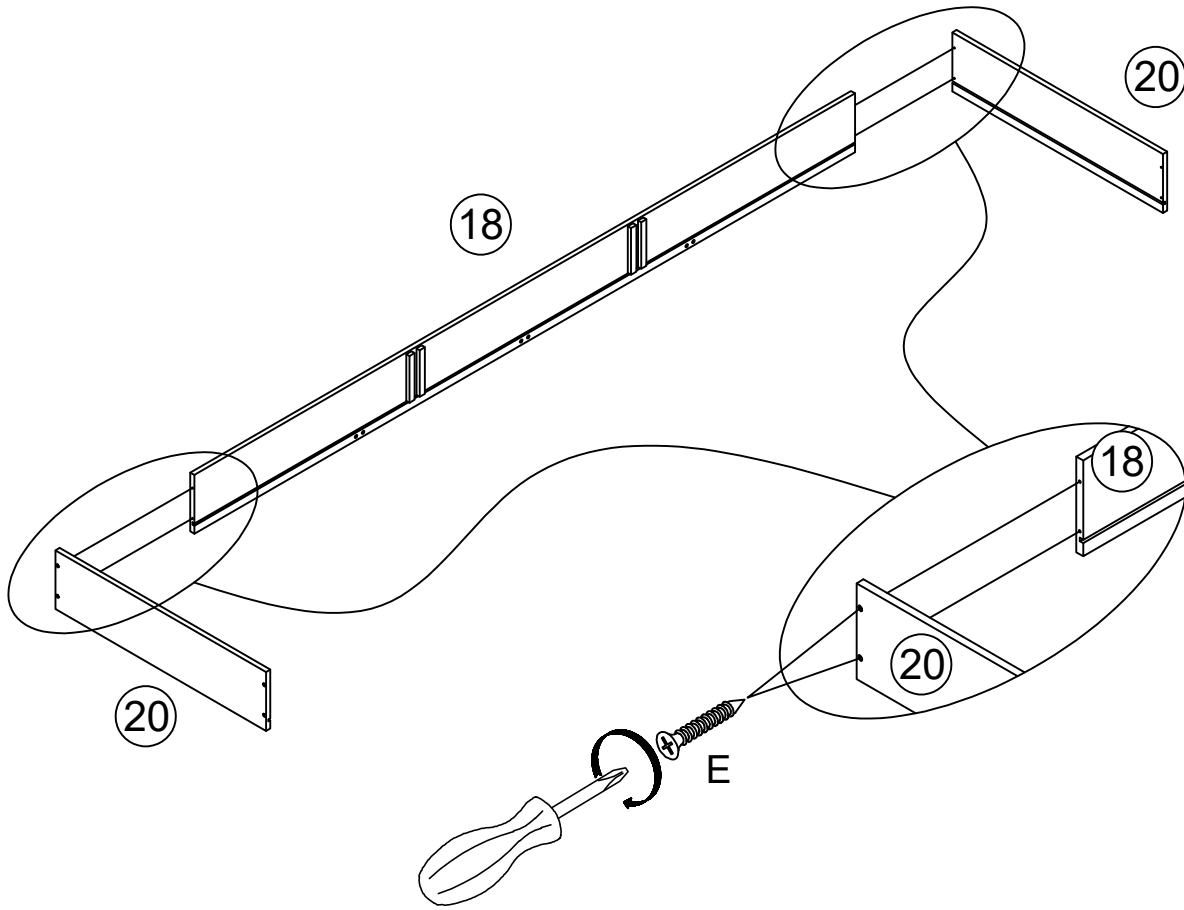
# Step 8





E  
20pcs

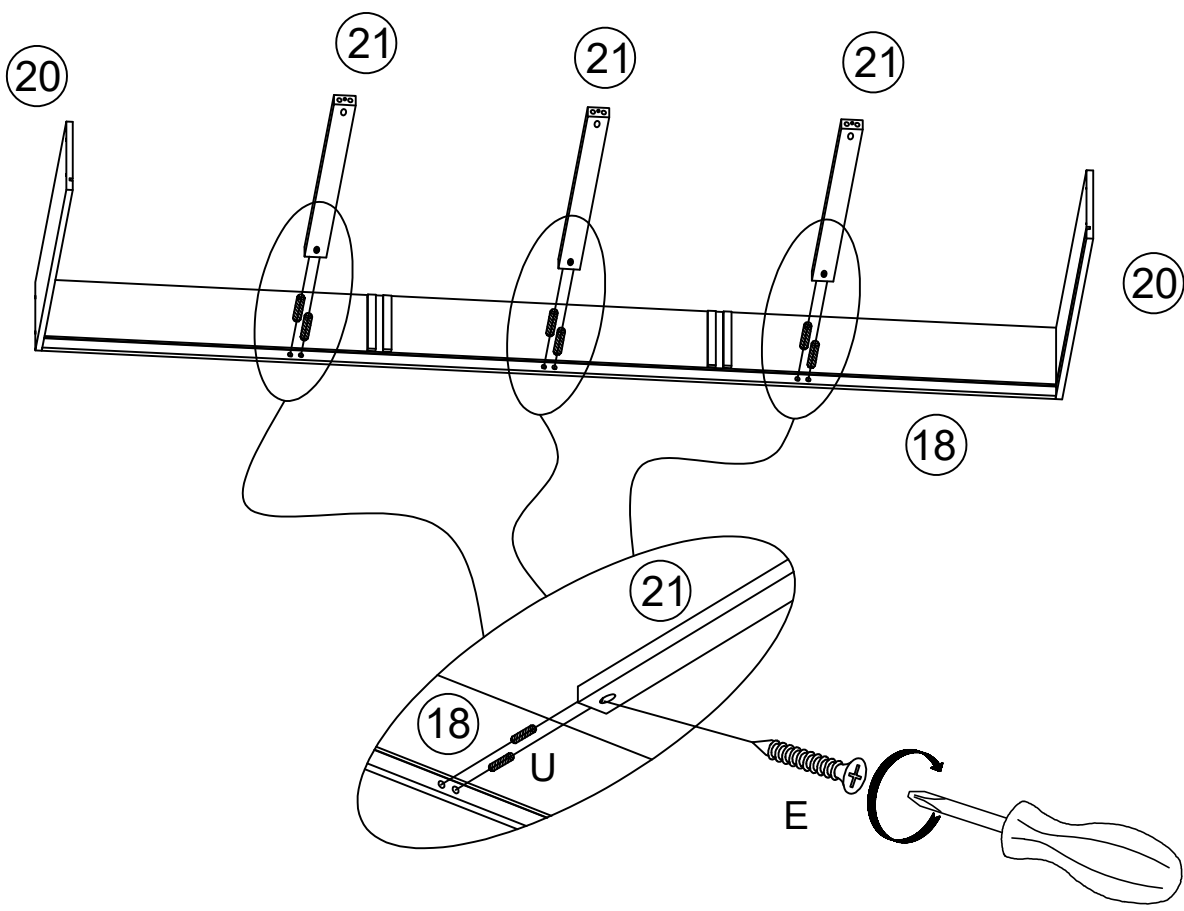
# Step 9

E	
4pcs	

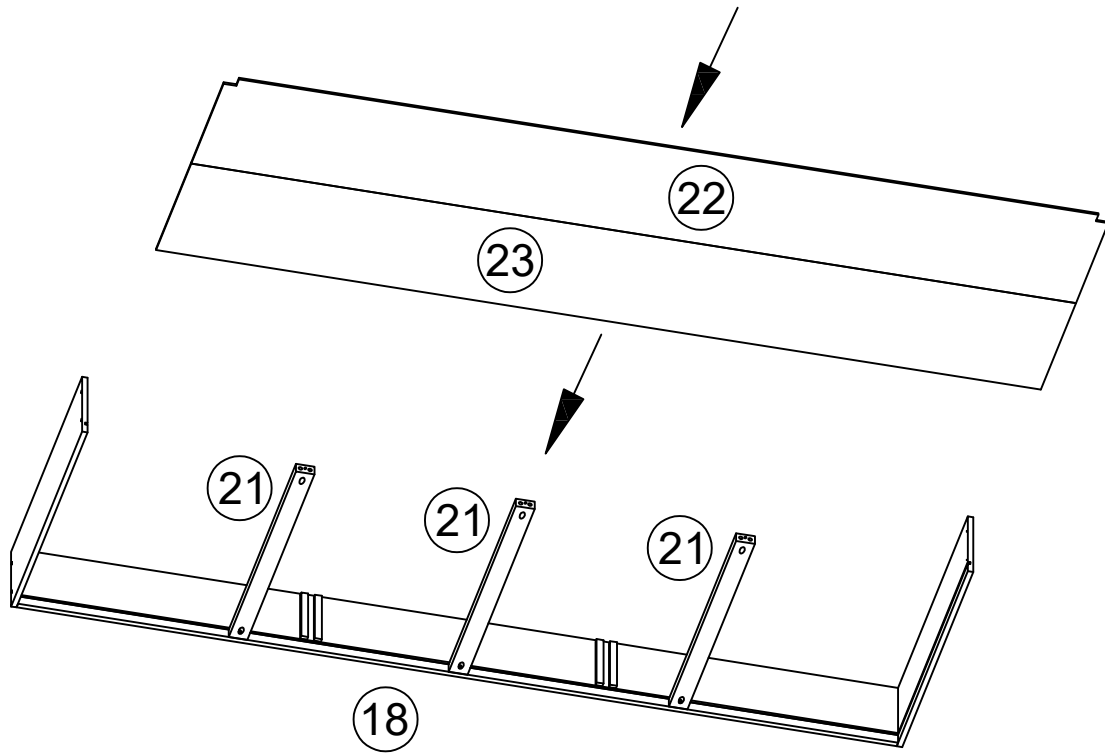


# Step 10

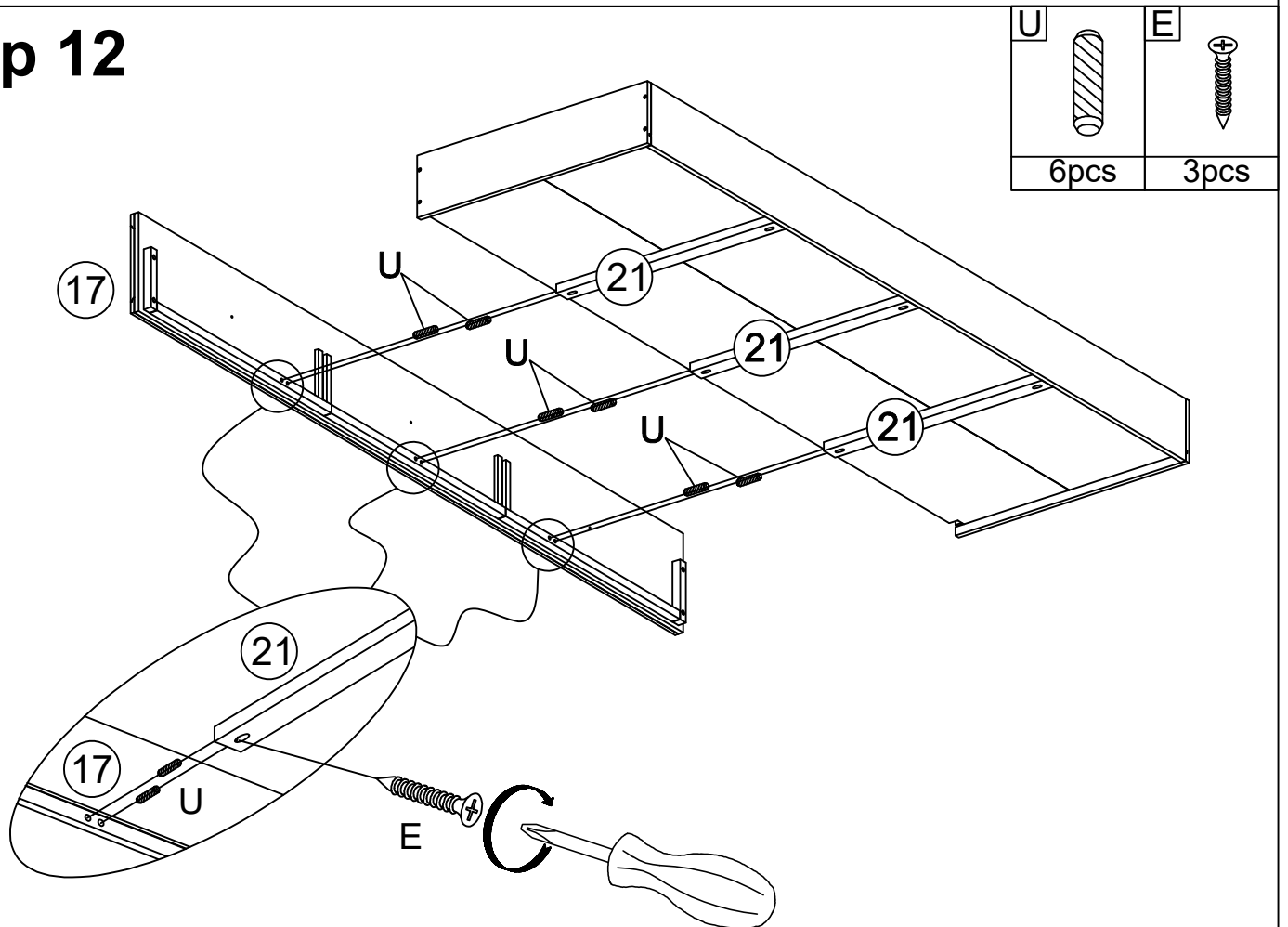
U		E	
6pcs		3pcs	



# Step 11

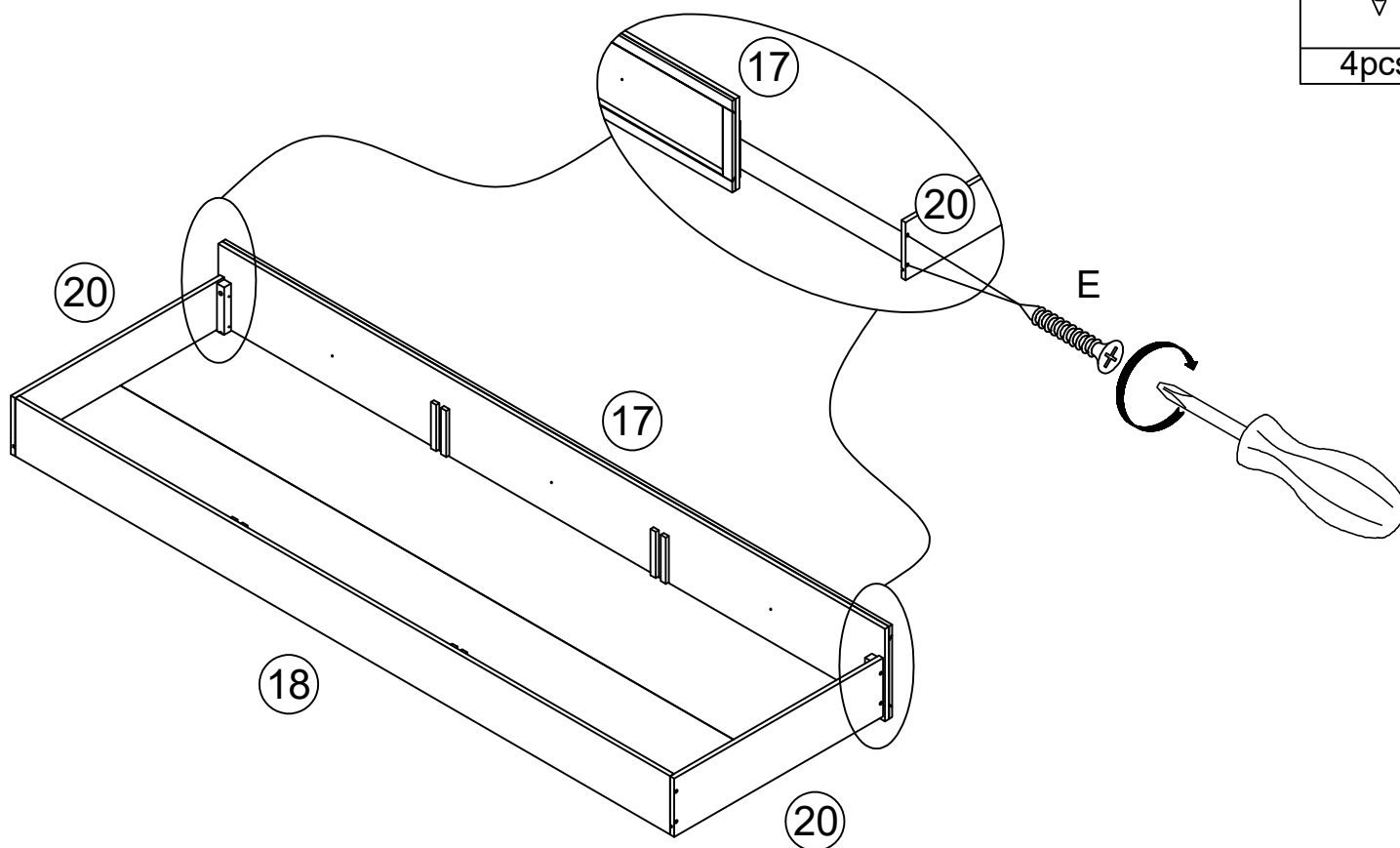


# Step 12

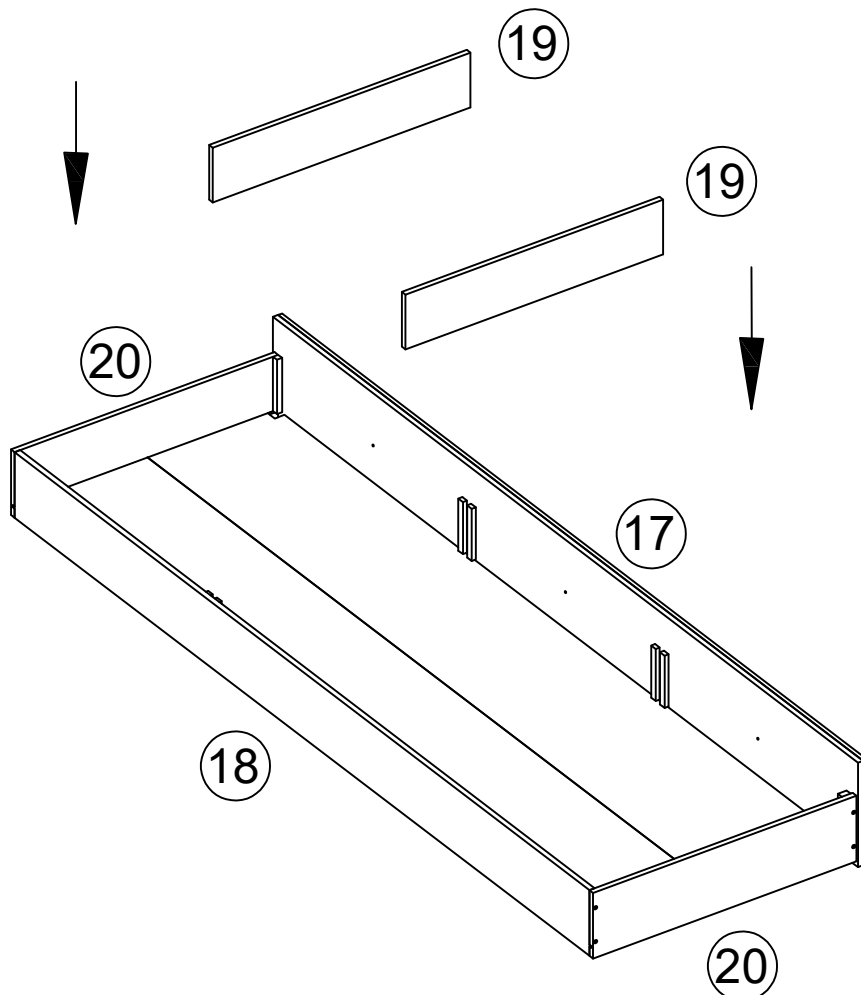


# Step 13

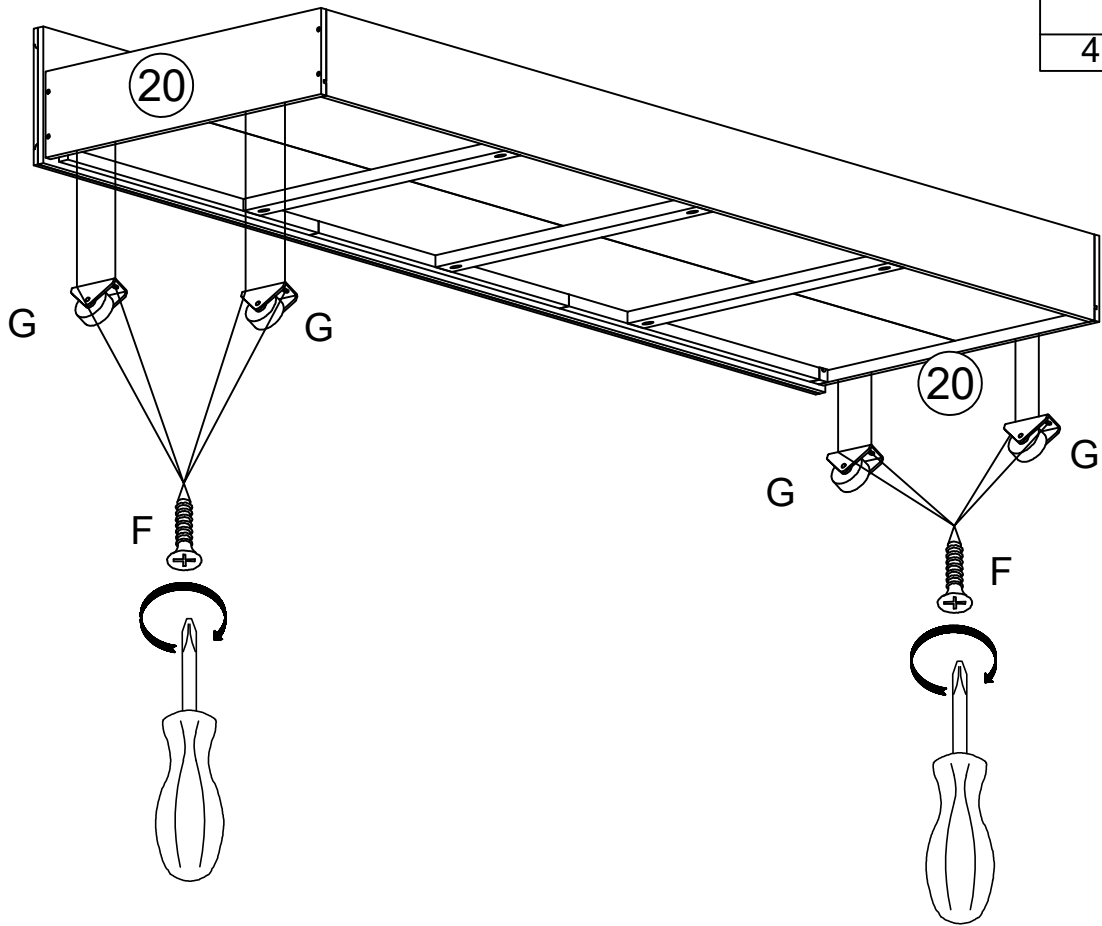
E  
4pcs





# Step 14

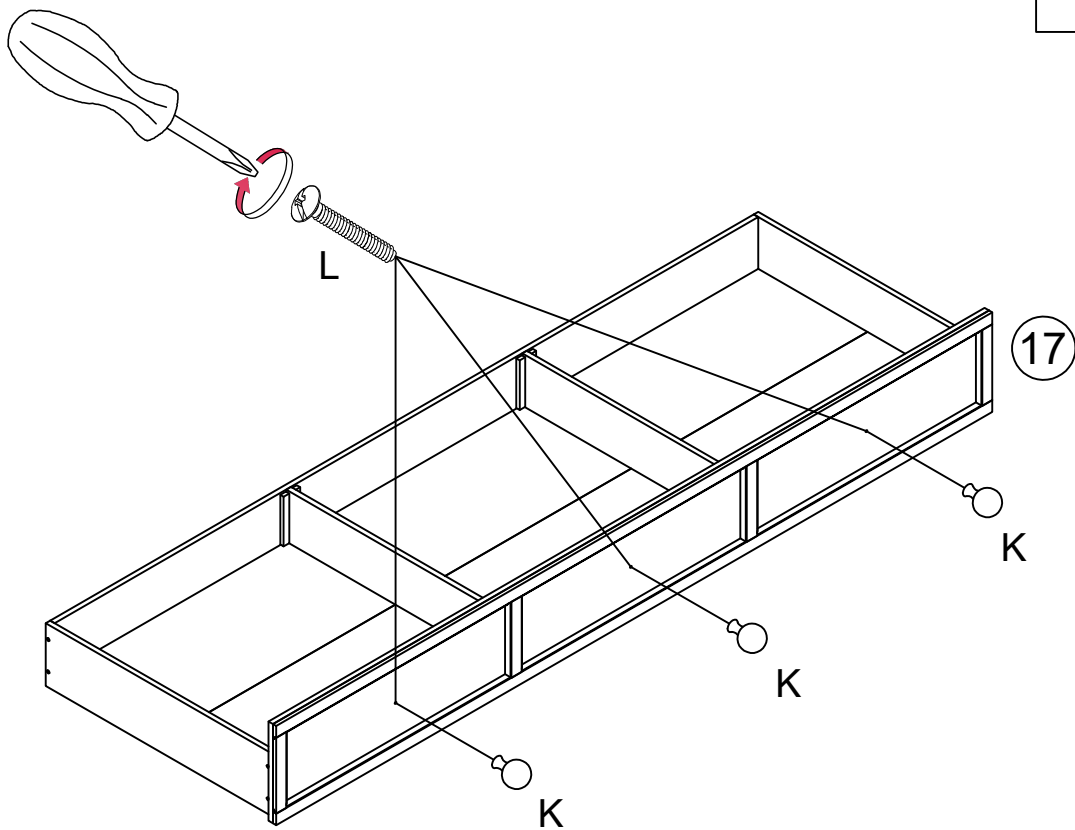


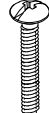

# Step 15



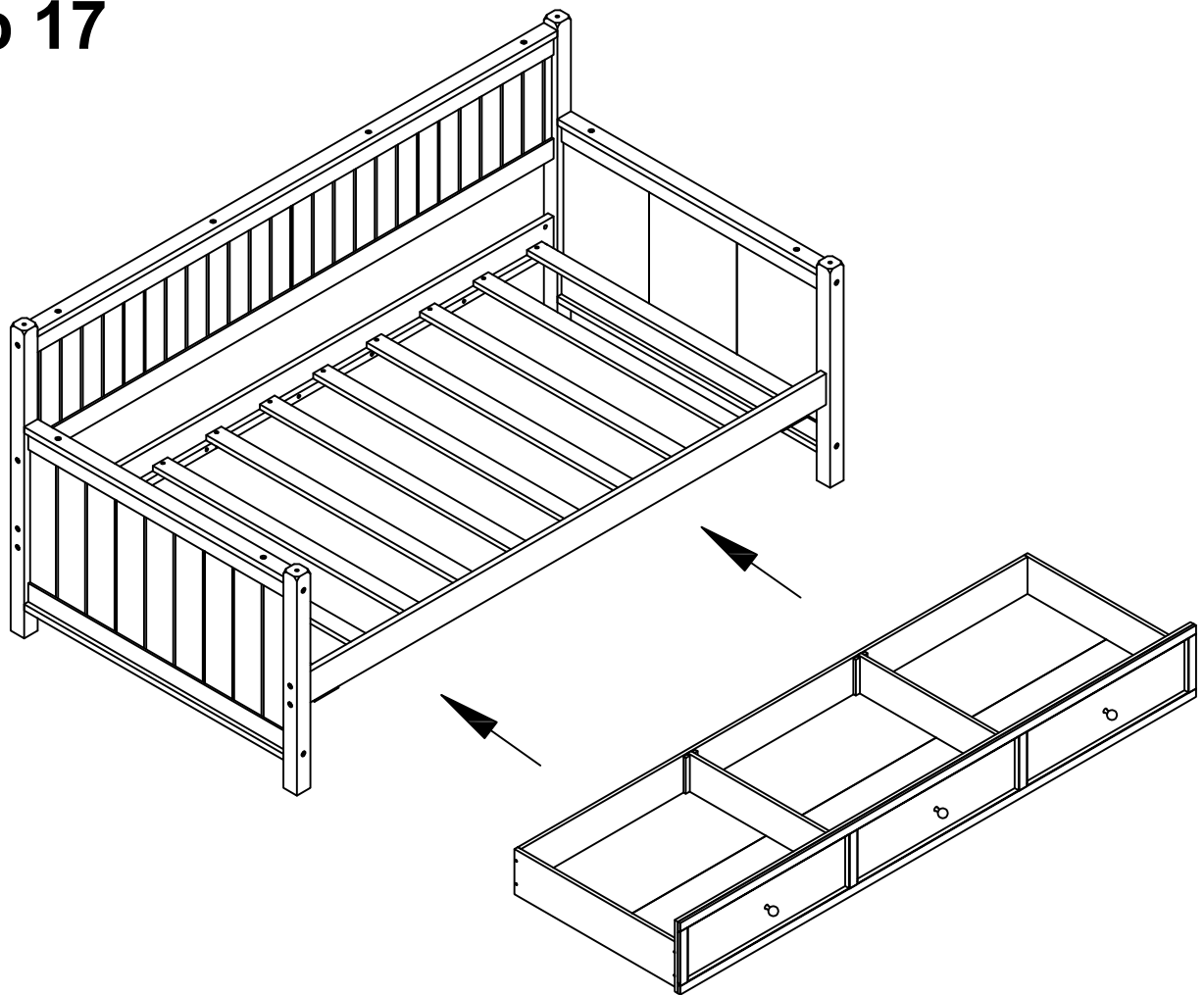
<b>G</b> 	<b>F</b> 
4pcs	8pcs

# Step 16

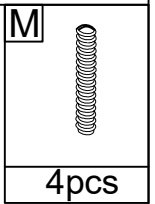
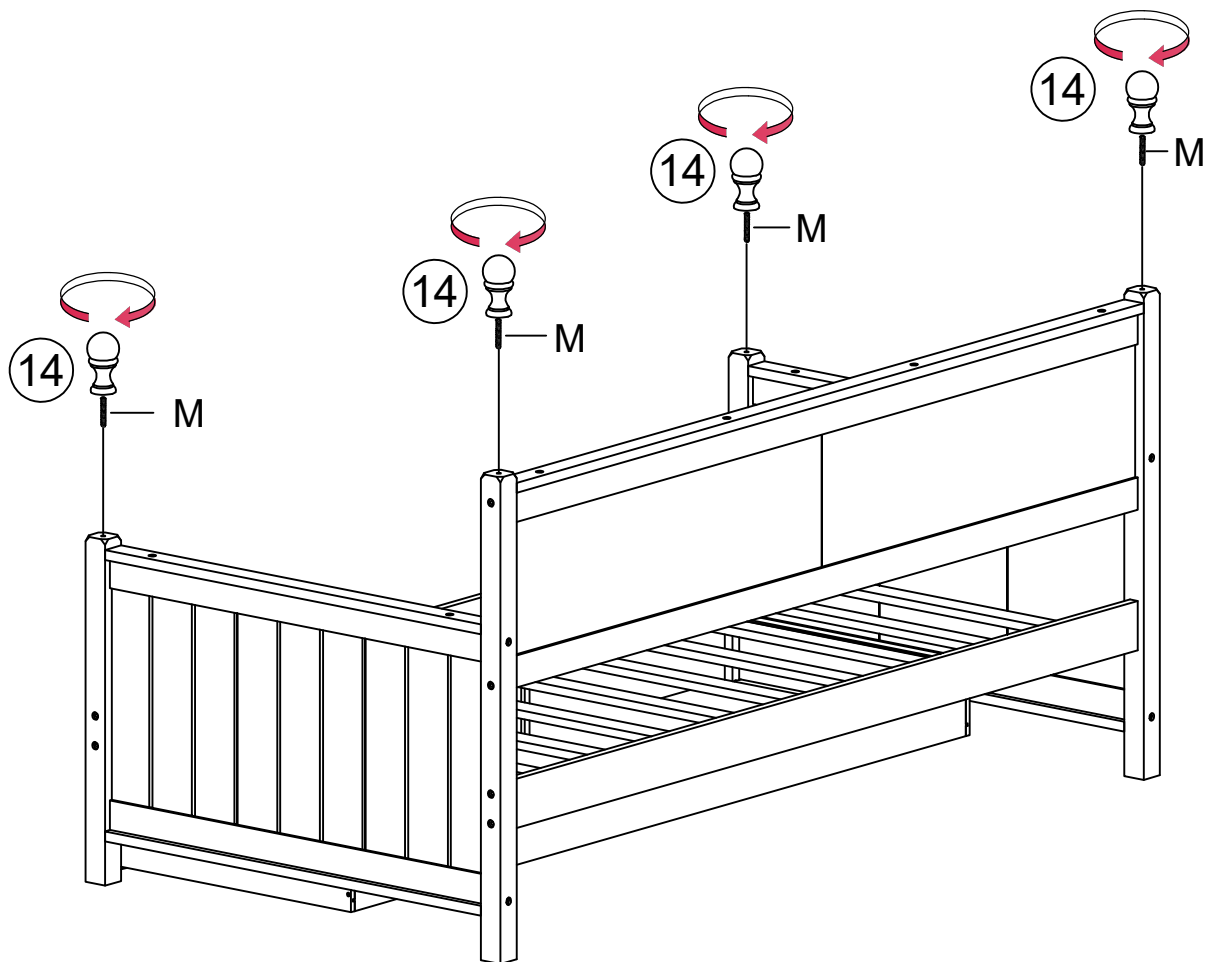


<b>L</b> 	<b>K</b> 
3pcs	3pcs

# Step 17



# Step 18



COMPLETED

