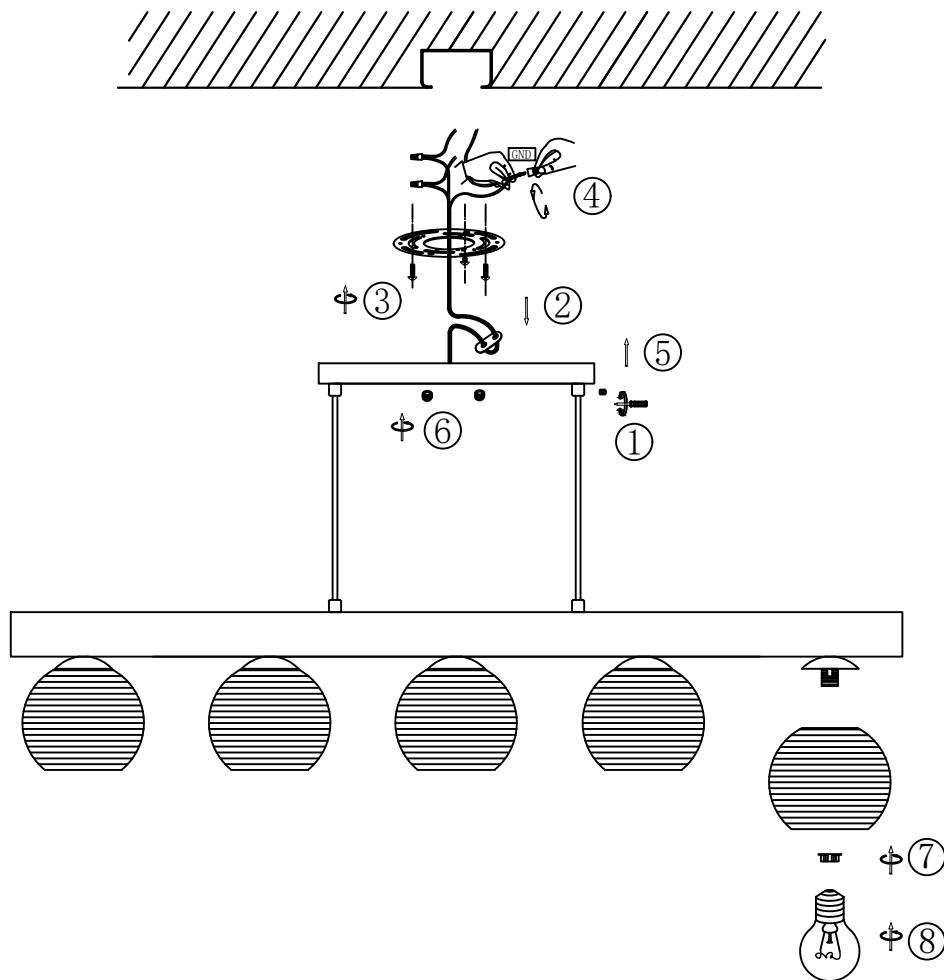


Assembly & Installation Instructions



PREPARATION before INSTALLATION:

1. If an existing fixture is being replaced, remove it and note to which wire in the outlet box the original fixture was attached.
2. Before discarding the carton, double-check the packaging to make sure all parts have been found.
3. This fixture was designed to be mounted on an octagon outlet box. The box must be securely mounted to the structure of the building.

IMPORTANT:

1. **WARNING** - Disconnect power before relamping or wiring the fixture. Turn off the entire electrical circuit to which the lighting fixture is attached.
2. Installation and maintenance of this fixture should be completed by a licensed electrician.
3. Failure to install the fixture correctly could result in serious injury or death.
4. Read all instructions before starting installation.

INSTALLATION STEPS:

1. Loosen the screw to adjust the height of the down rod to achieve the desired length, then tighten the screw.
2. Adjust the position of the wire clasp to make it closely fits the ceiling plate.
3. Secure the mounting bracket to the ceiling with mounting screws.
4. Connect the wires using wire connectors as follows:
Connect the **BLACK** wire of the main wire to the **LIVE** wire.
Connect the **WHITE** wire to the **NEUTRAL** wire.
Secure the fixture ground wire and external ground wire.
5. Raise the light fixture and align it with the hole of the mounting bracket.
6. Secure the light fixture to the mounting bracket with nuts.
7. Secure the glass lampshade to the lamp holder.
8. Install the bulb (**NOT** included) onto the socket as indicated.