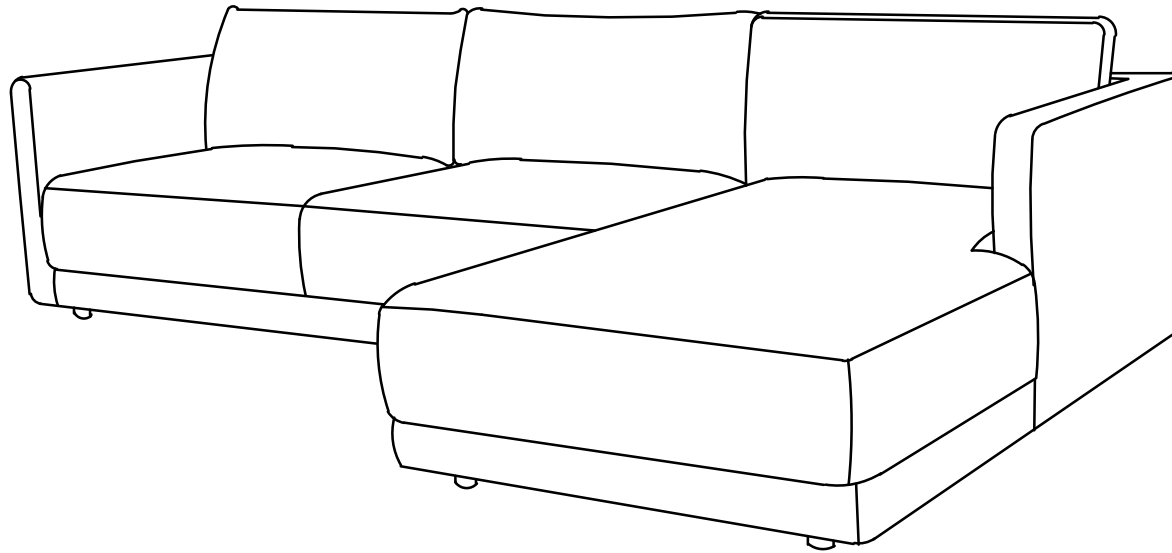


ASSEMBLY INSTRUCTIONS.

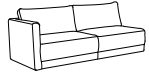
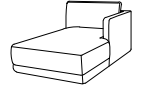

SECTIONAL CEDAR GREEN RIGHT



THANK YOU FOR YOUR PURCHASE!

PARTS AND HARDWARE.

PARTS LIST

No.	DESCRIPTION	IMAGE	Q'TY
P1	ARM LHF		1
P2	CHAISE RHF		1
P3	WOODEN LEGS		8

NOTES.

Thank you for purchasing this quality product! Be sure to check all packing material carefully for small part that may have come loose inside the carton during shipping.

CAUTION: The item is heavy, assembly should be performed by two people.

