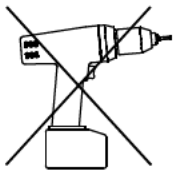
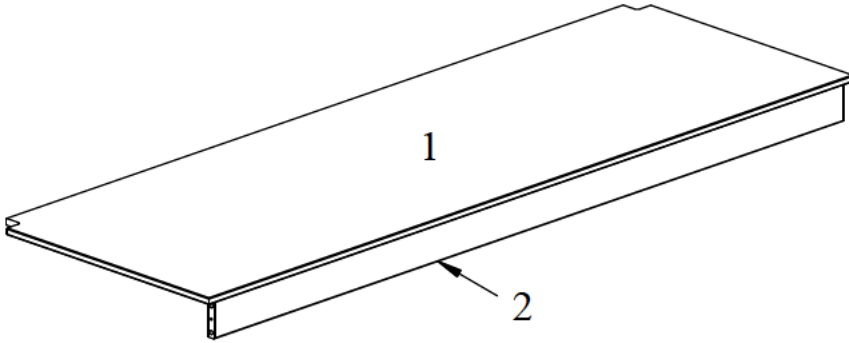
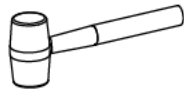
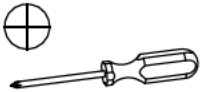




20 min

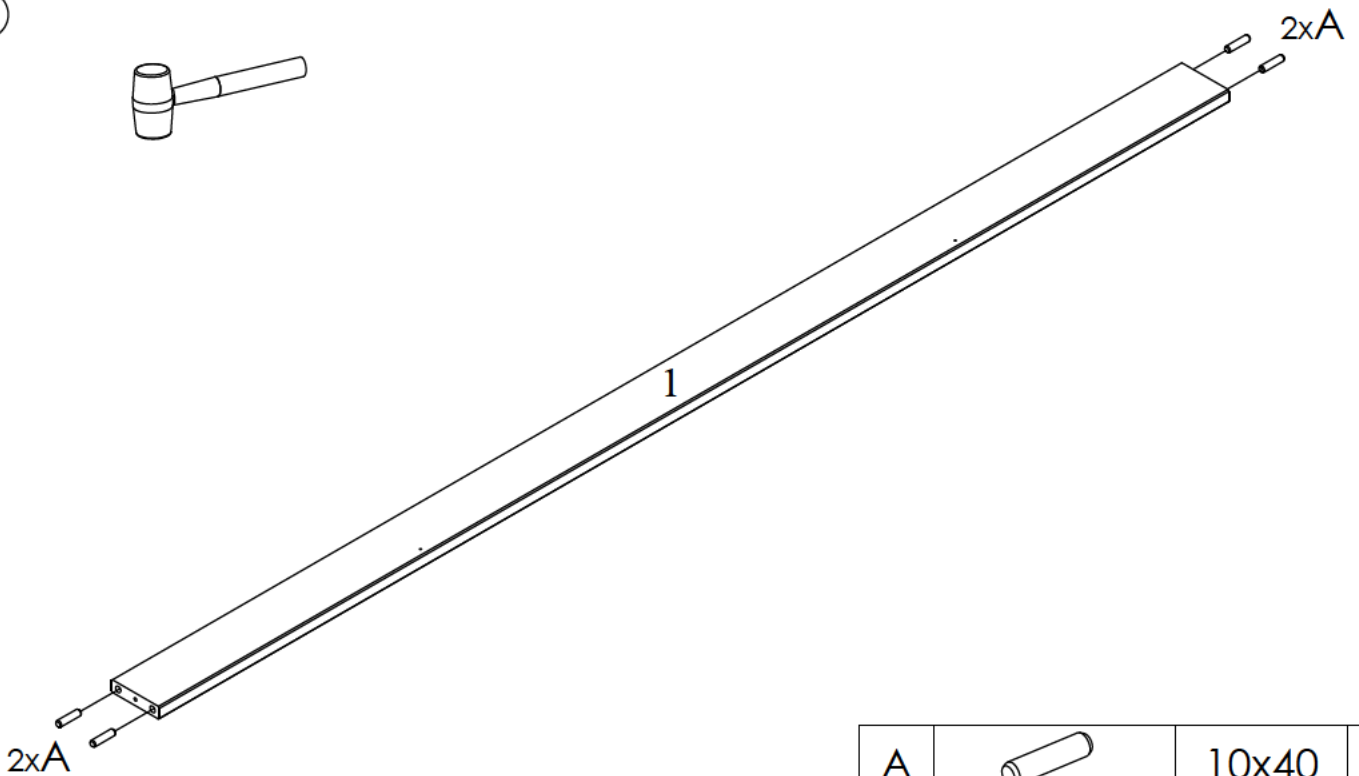
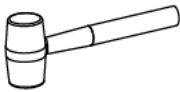


Tools needed (not supplied)



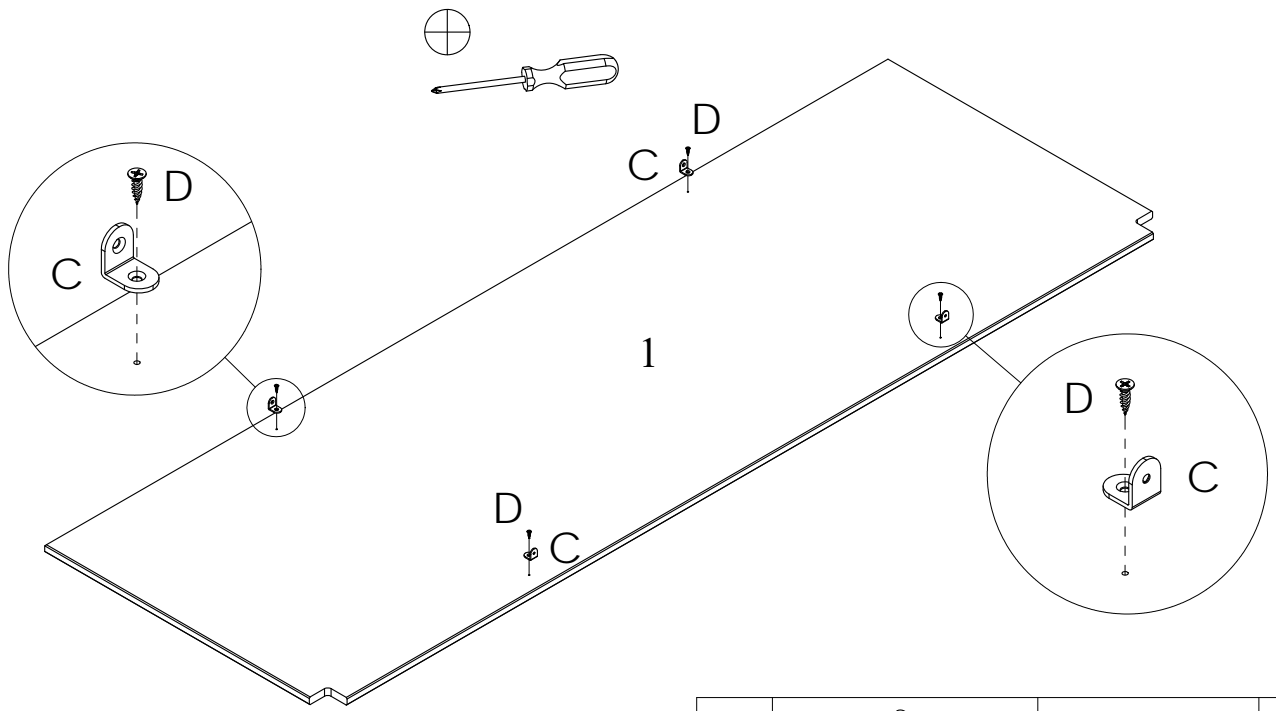
A		10x40	x4
B		6,3x50	x2
C		21x21x16	x4
D		3,5x15	x8
E		D15	x2
F		4mm	x1



①



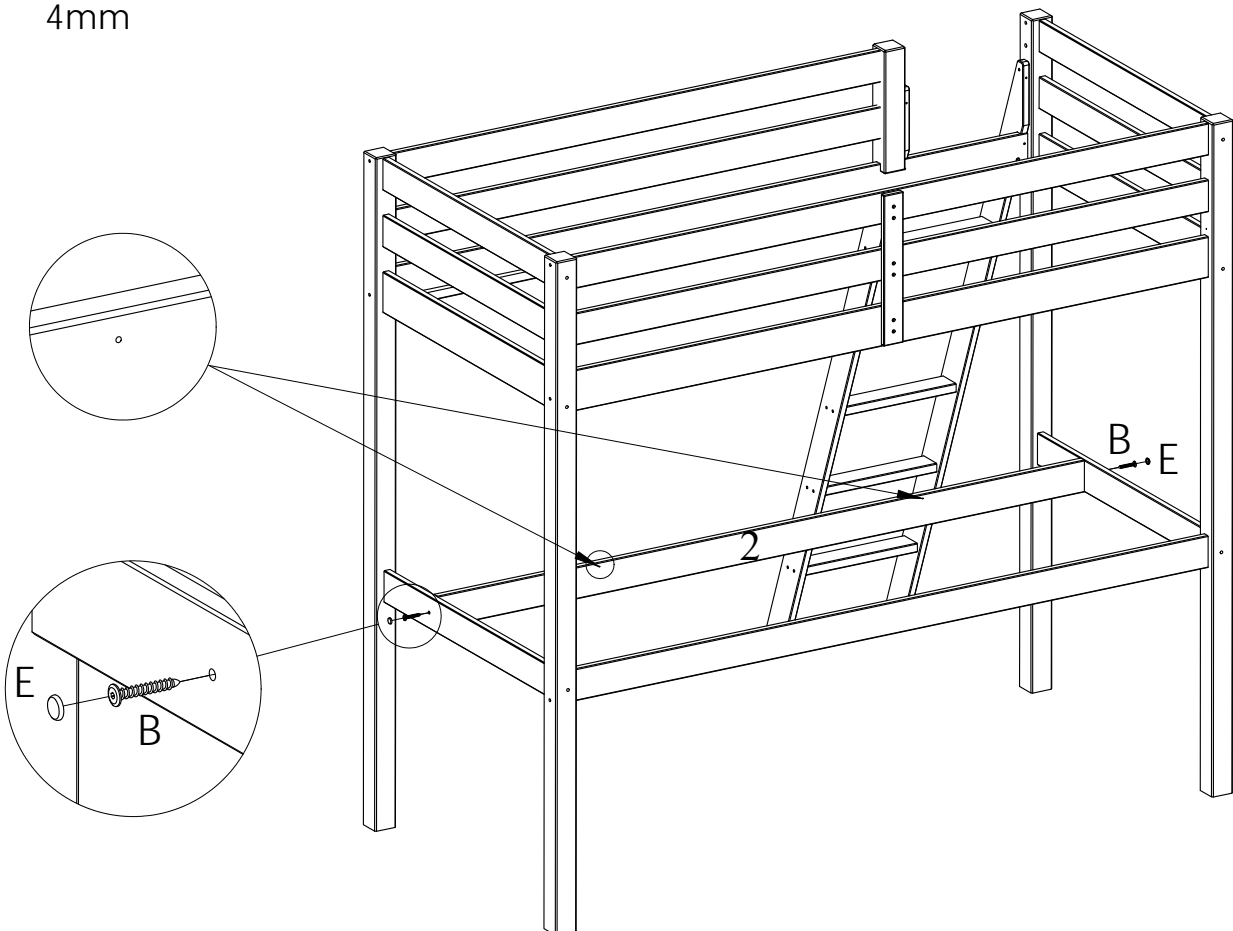
A		10x40	x4
---	--	-------	----



②



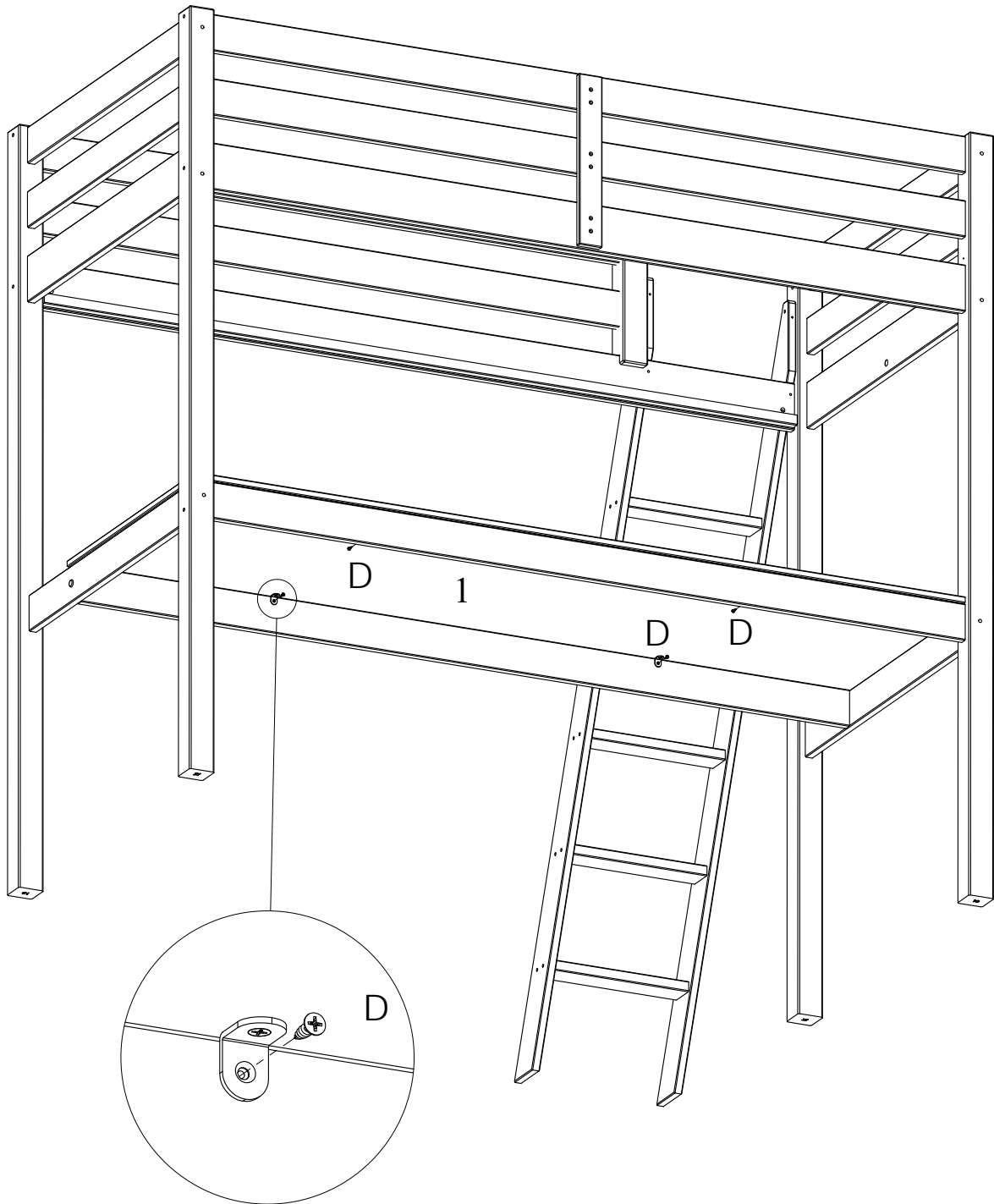
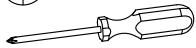
C		21x21x16	x4
D		3,5x15	x4

③



B		6,3x50	x2
E		D15	x2

4



D



3,5x15

x4