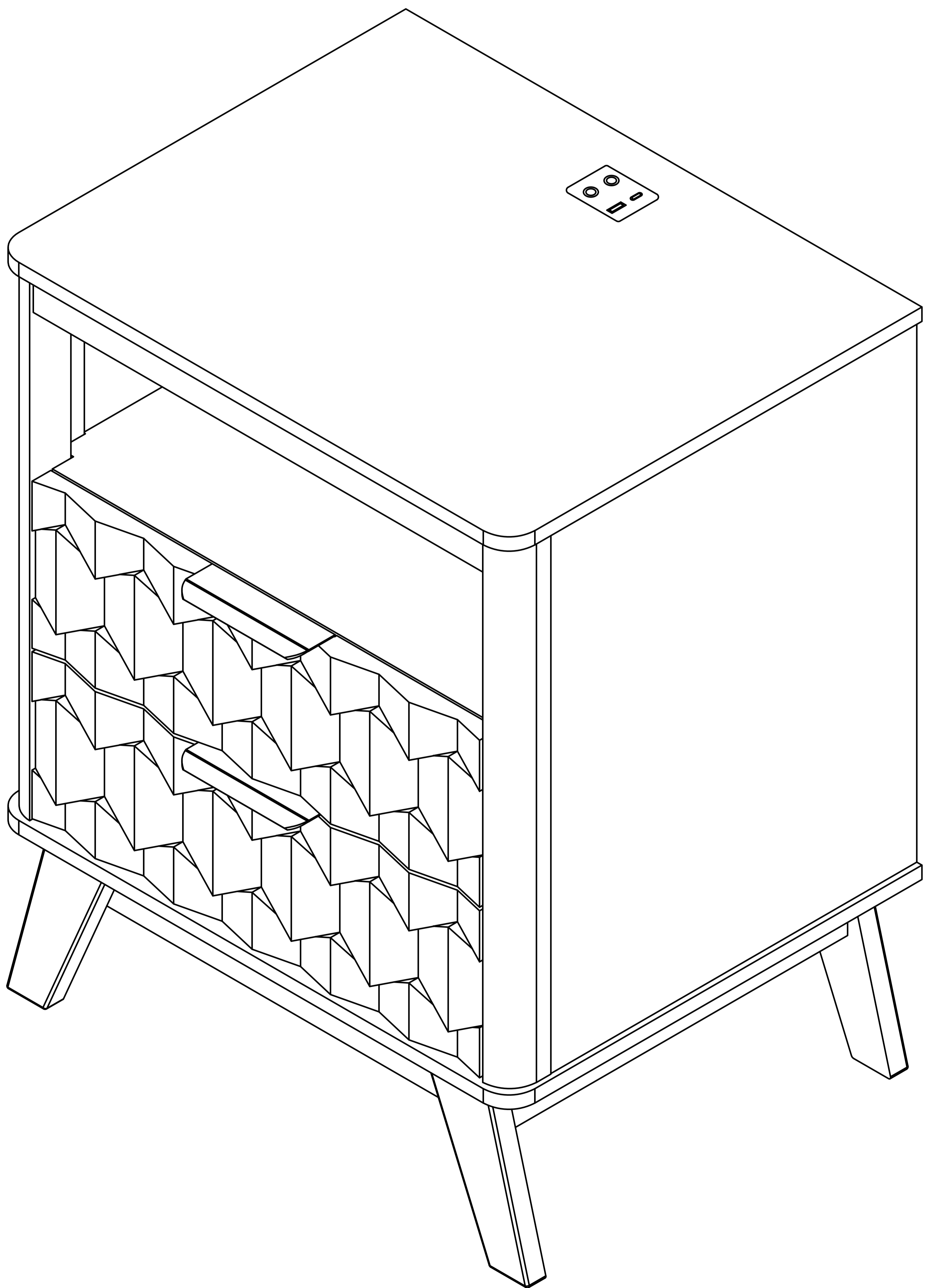
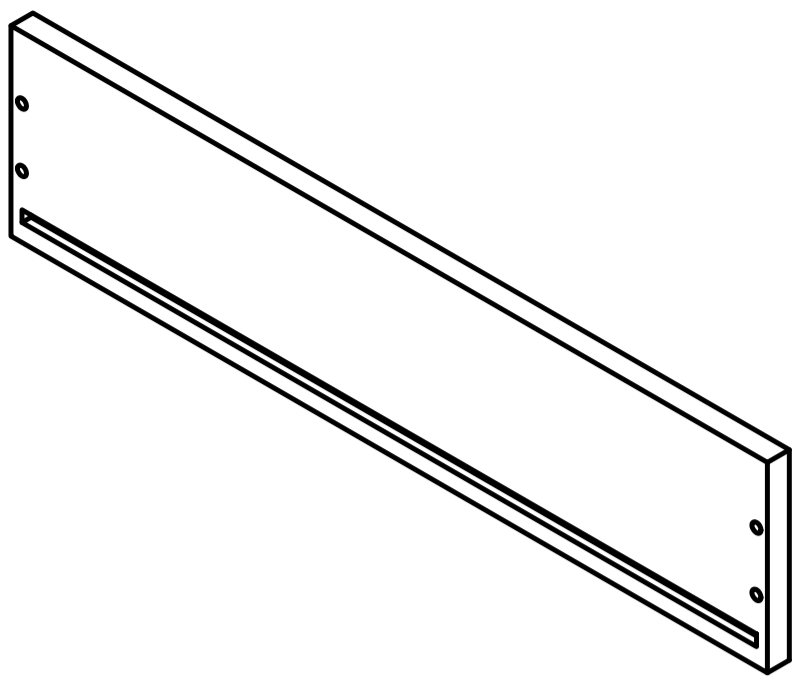
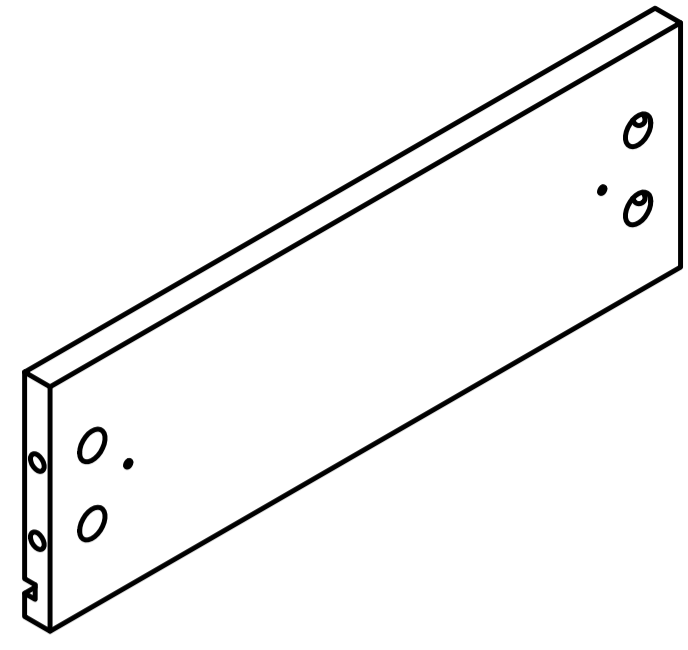


Product Installation Instructions

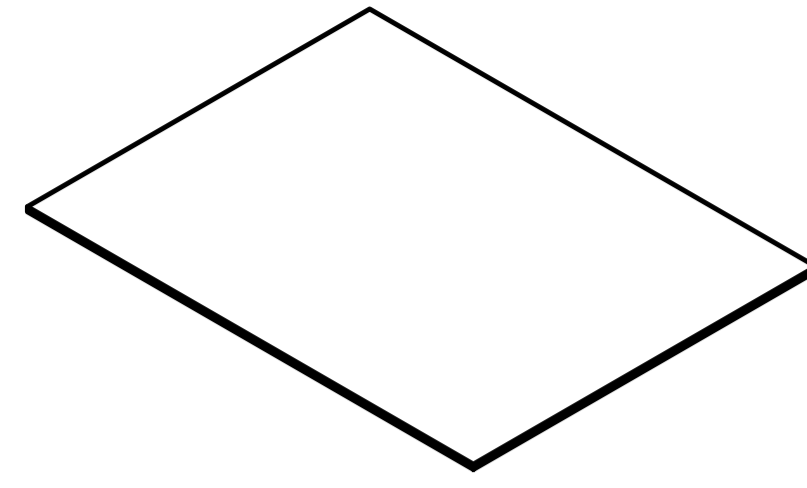




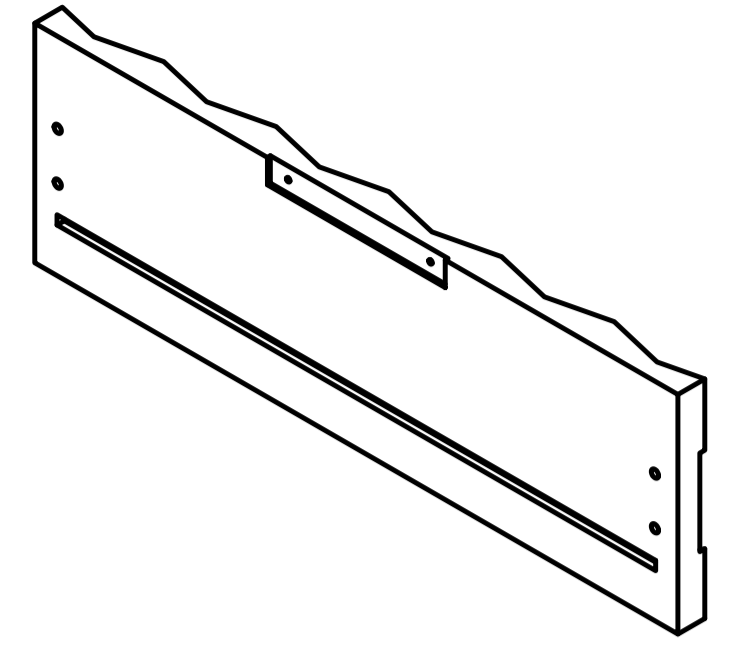
Ax2



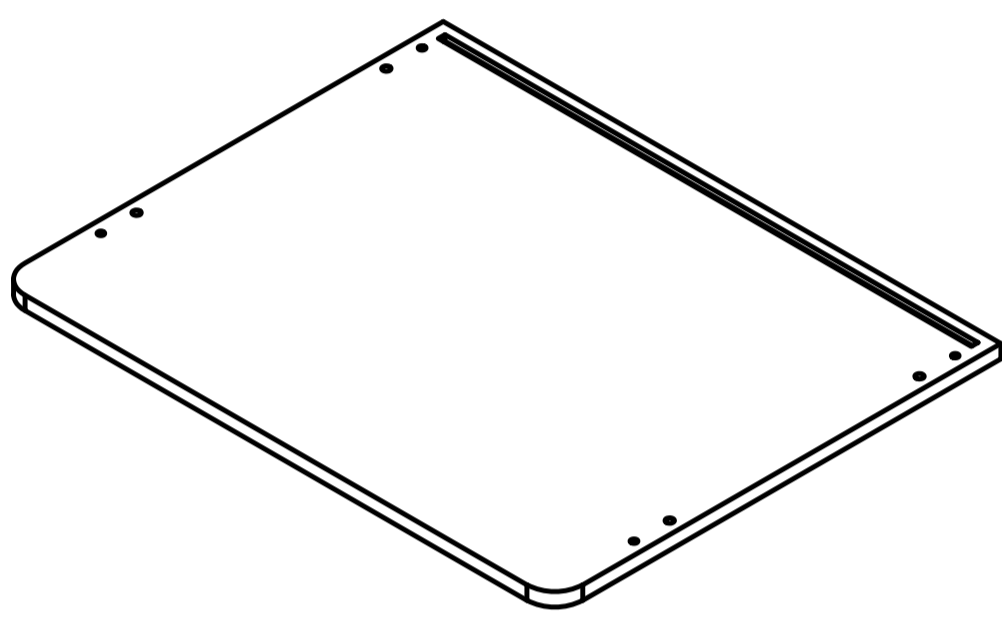
Bx4



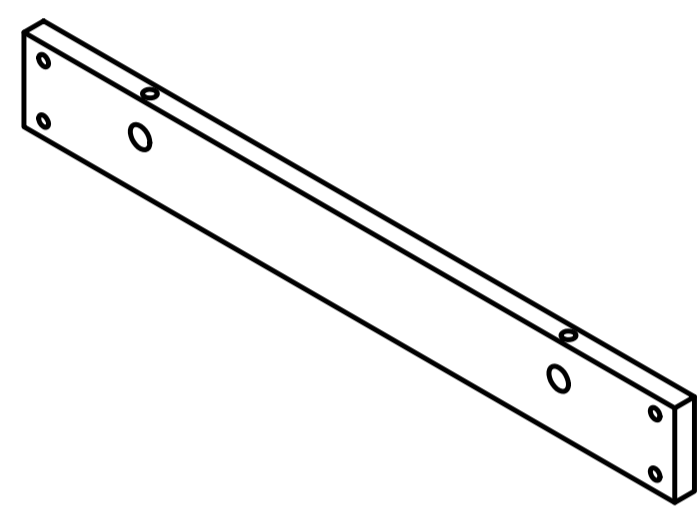
Cx2



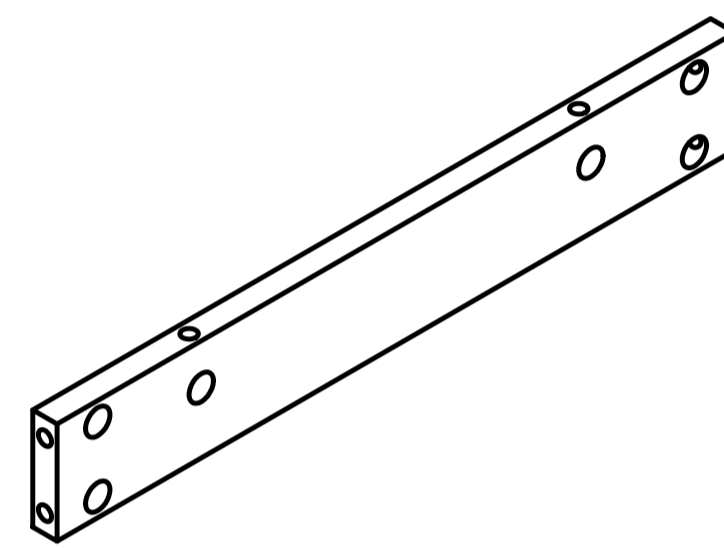
Dx2



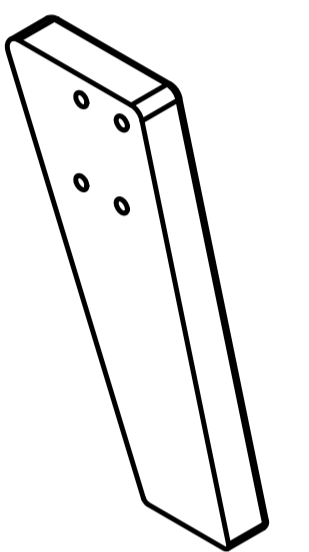
Ex1



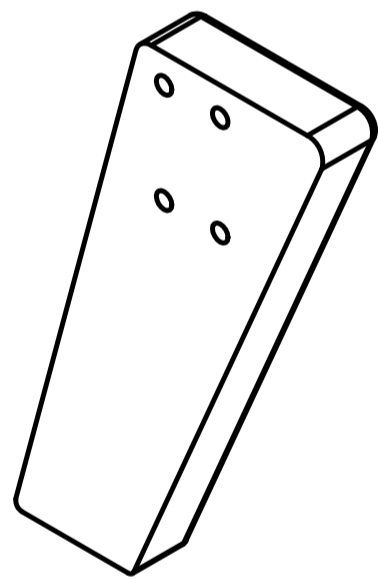
Fx2



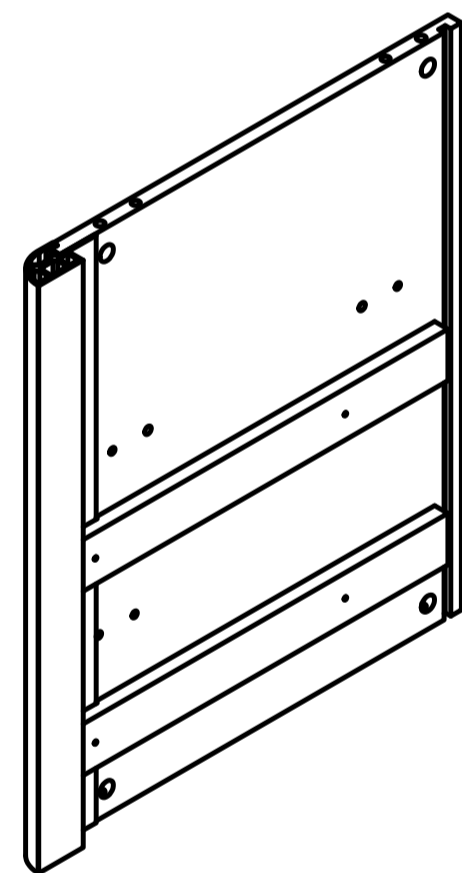
Gx2



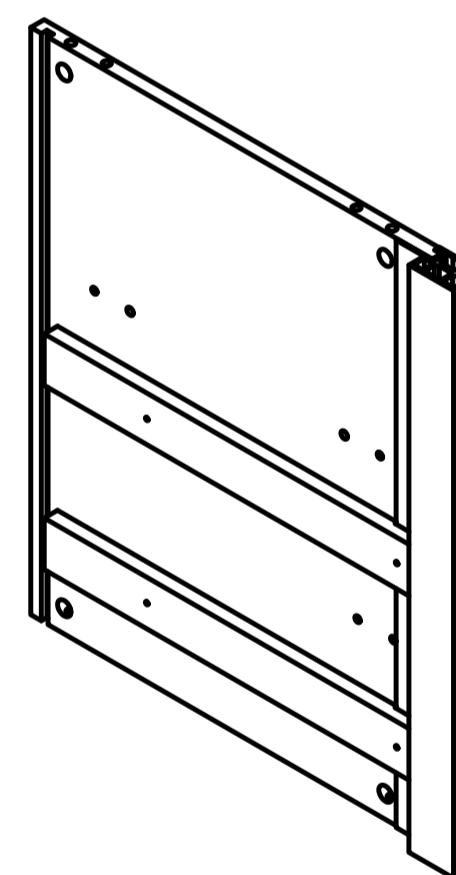
Hx2



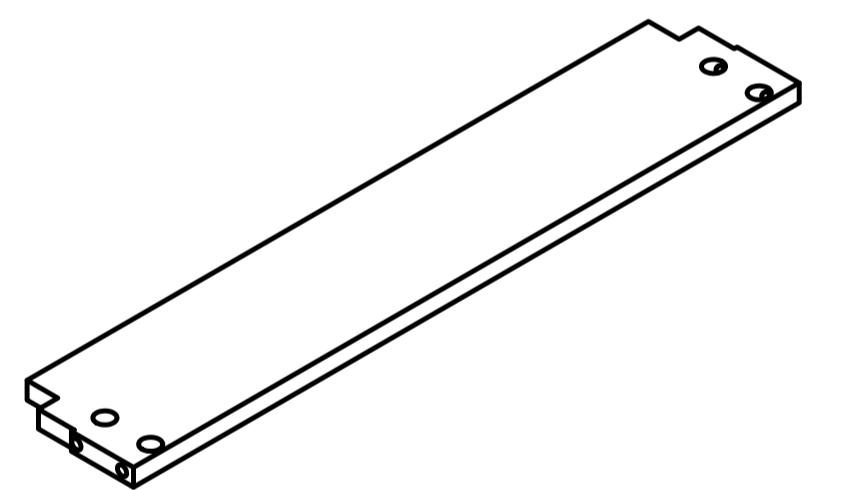
Ix2



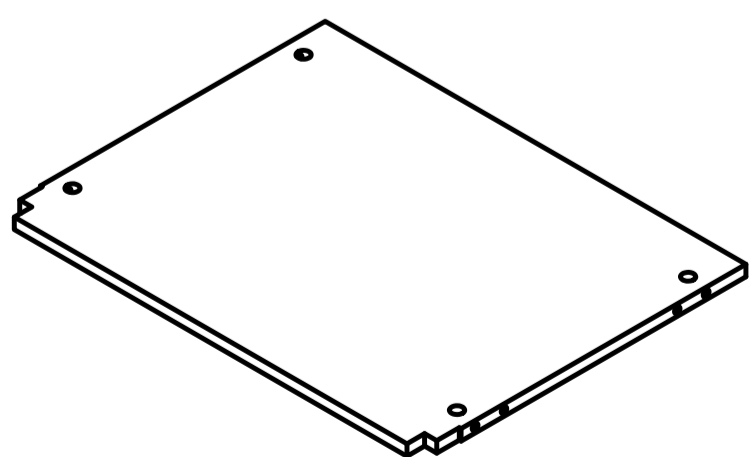
Jx1



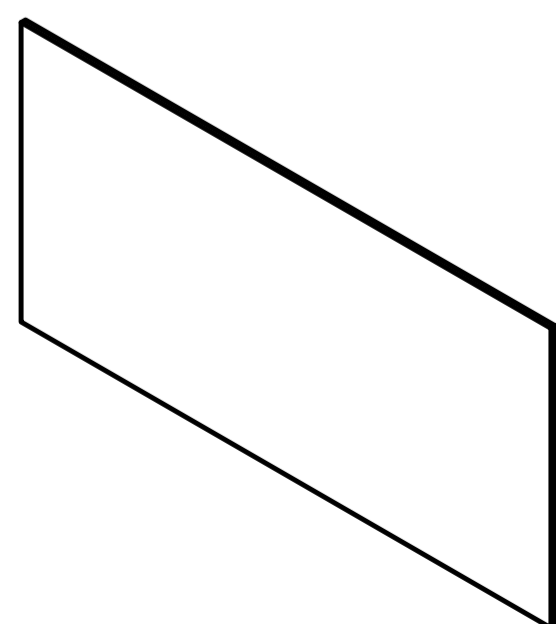
Kx1



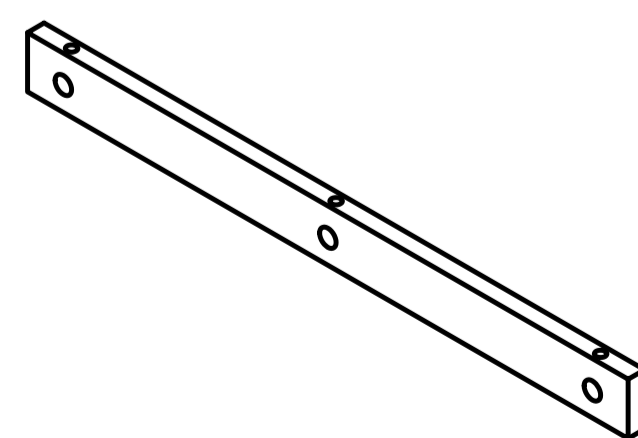
Lx1



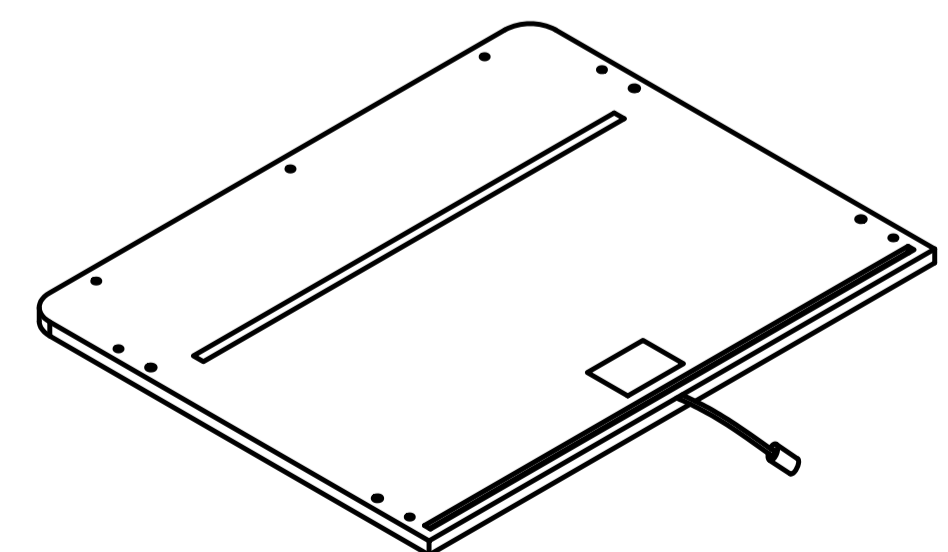
Mx1



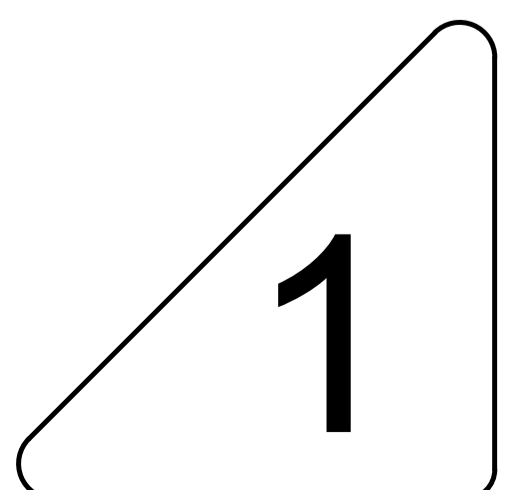
Nx2



Ox1

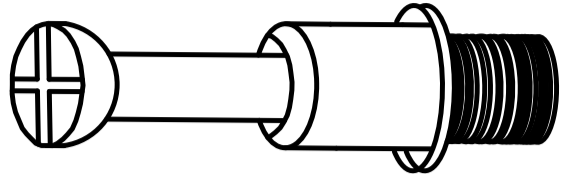
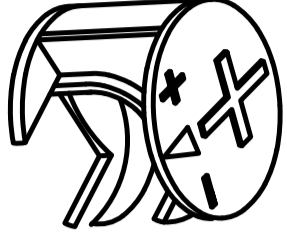

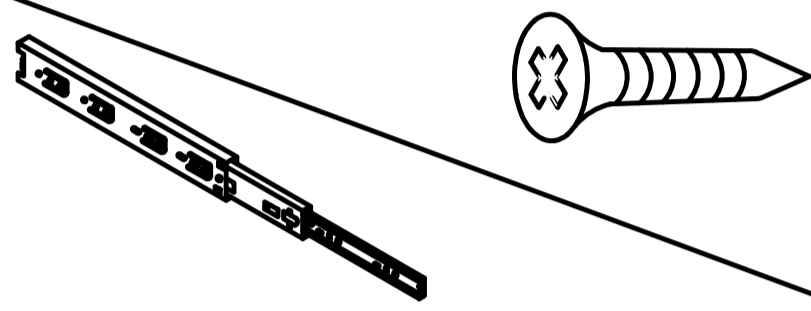
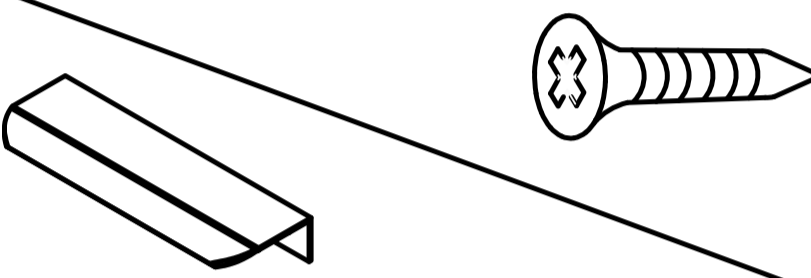

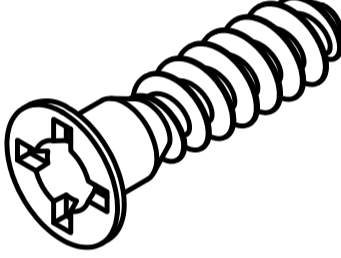
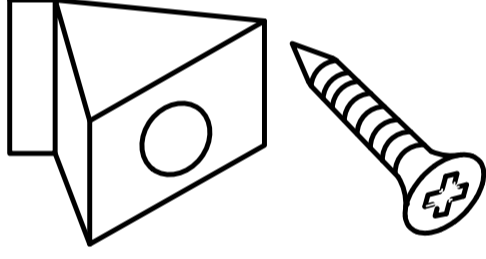
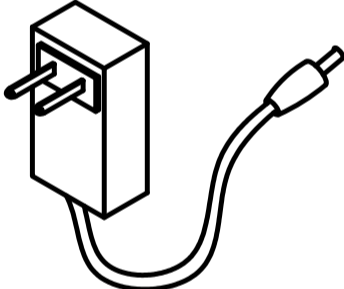


Px1

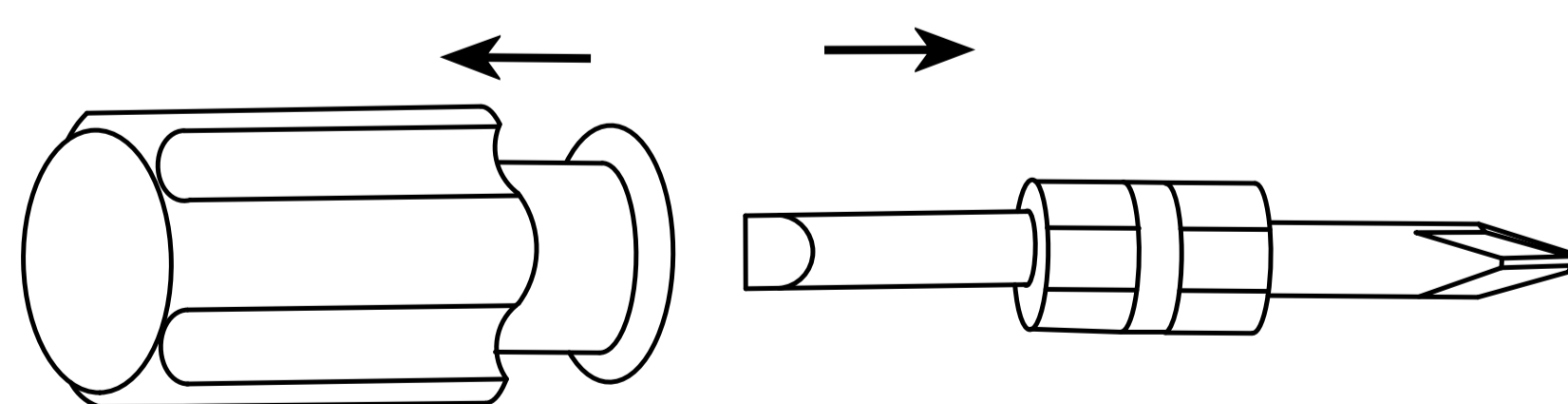
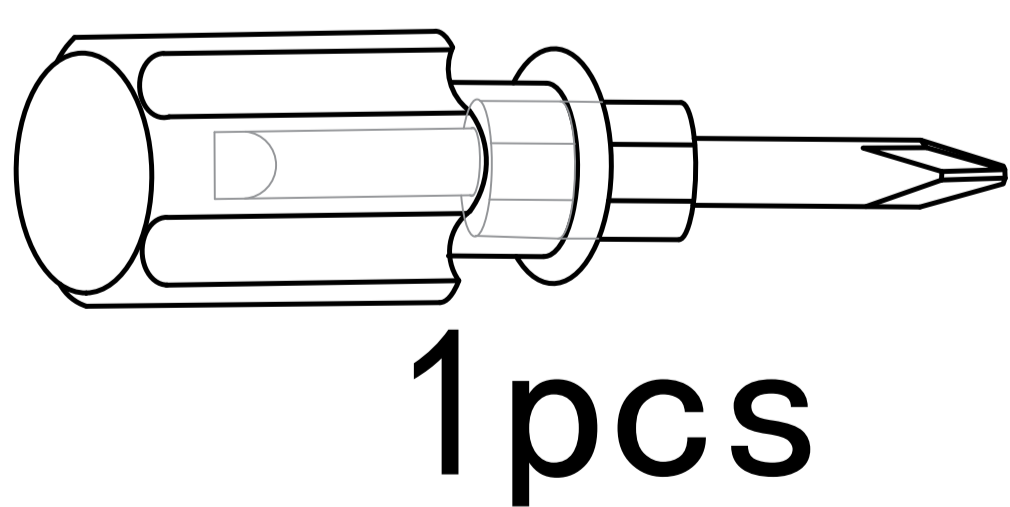


1

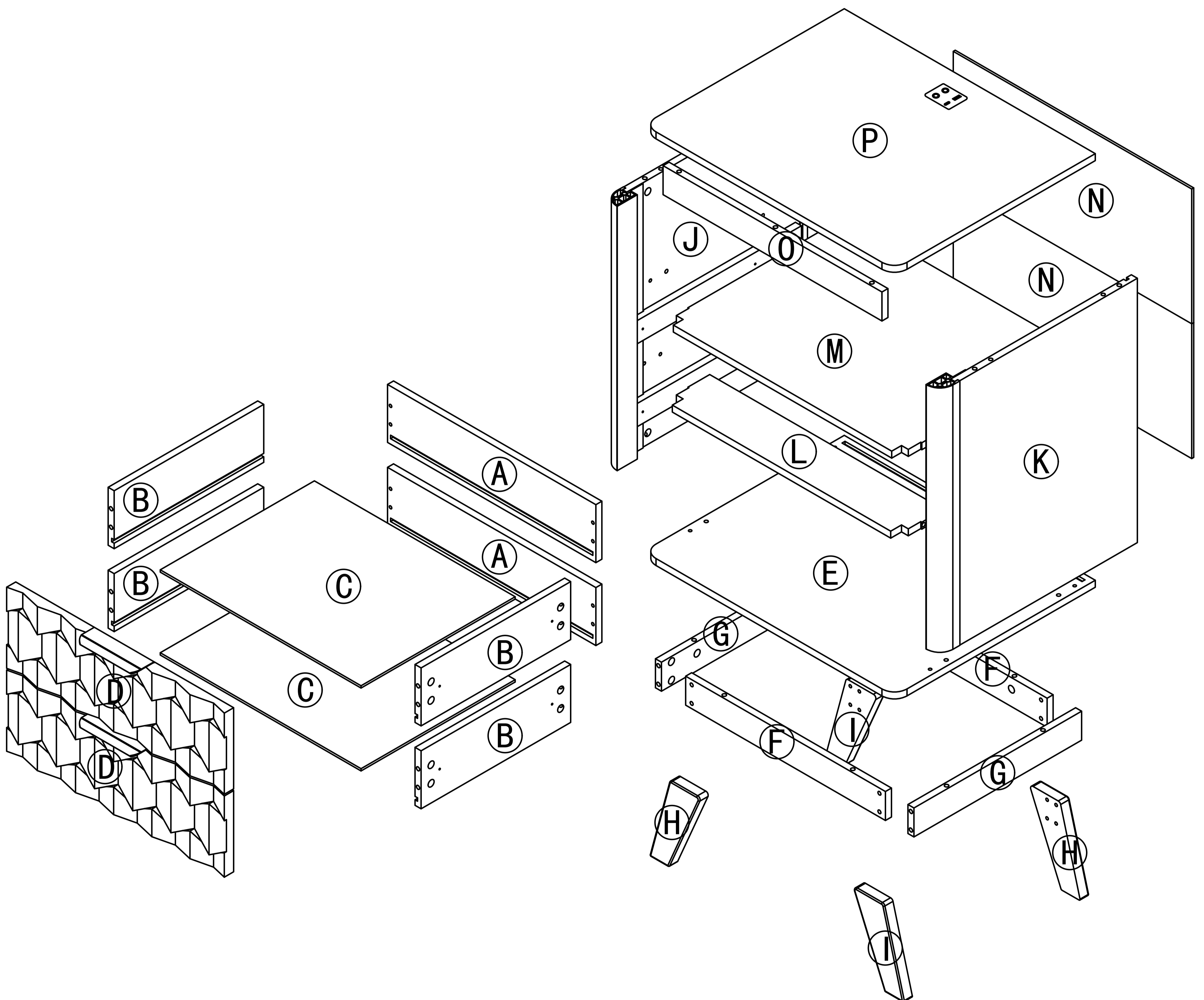
Accessories list

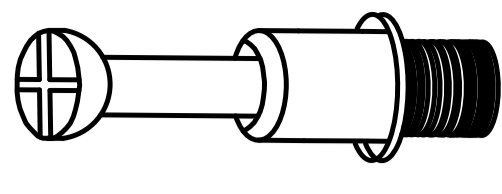
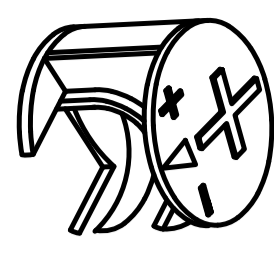
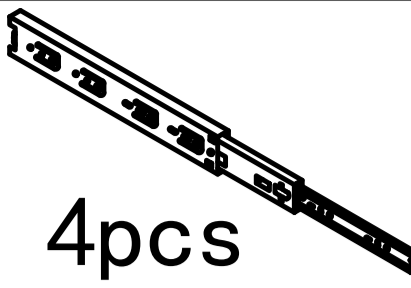
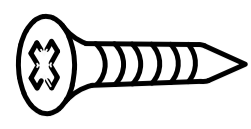
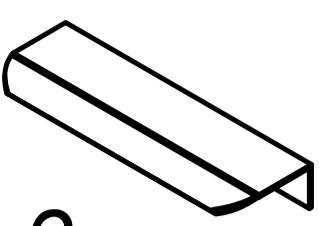
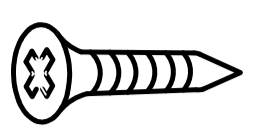
①		Two in one screw (6x28mm)	51pcs +4pcs
②		Two in one nut (10x12mm)	51pcs +4pcs
③		Wood chipping (6x30mm)	12pcs +4pcs
④		Guide & Screw(29cm) (3x12mm)	20pcs +6pcs 4pcs
⑤		Handle & screw (3.5x10mm)	4pcs +1pcs 2pcs
⑥		Non-slip pads (35x15mm)	4pcs +2pcs
⑦		Screw (7x28mm)	8pcs +2pcs
⑧		Fixing clip & screw (3x16mm)	10pcs +1pcs
		AC/DC Adapter (12V==2.0A)	1pcs

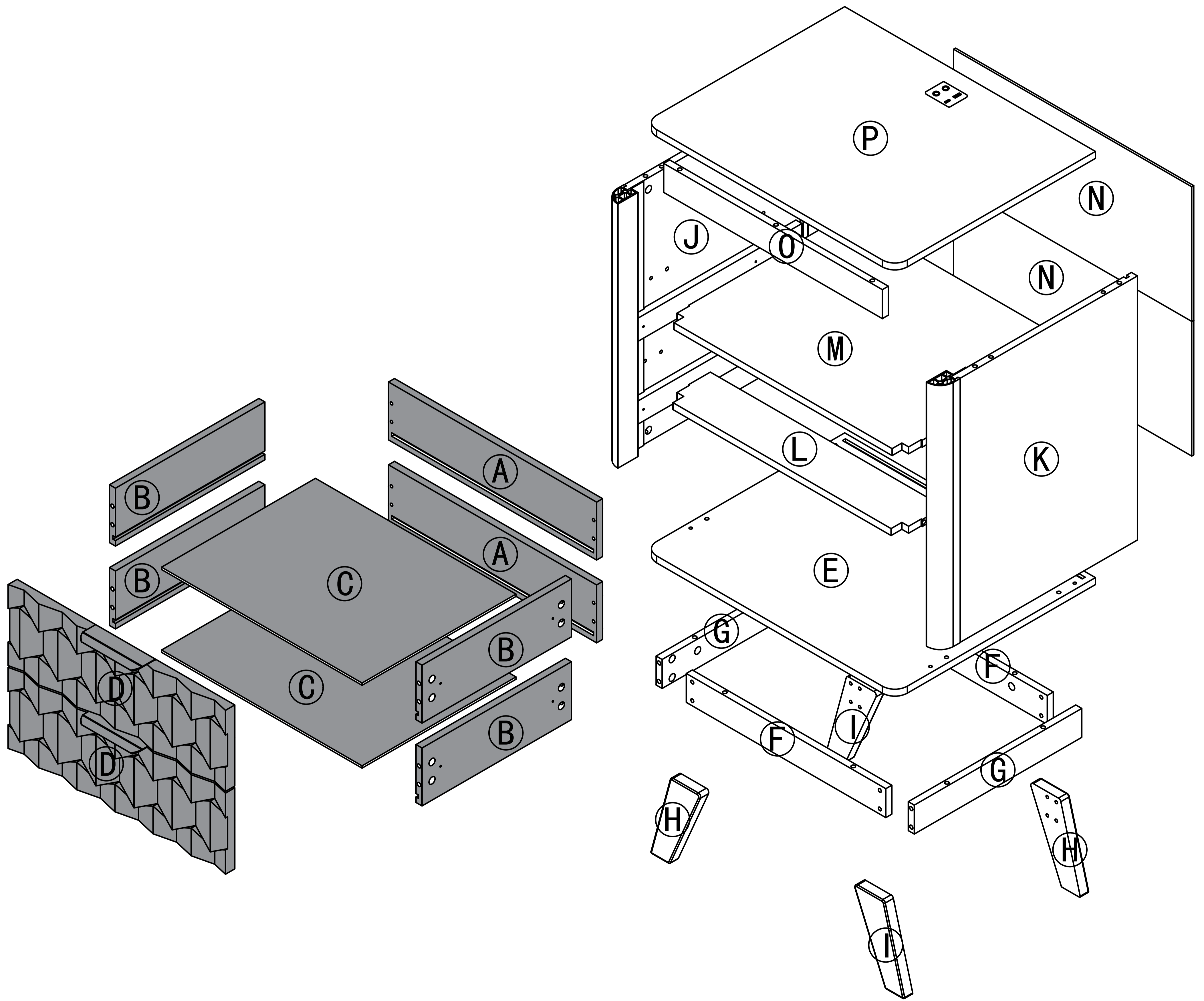
Double-head screwdriver, use as required



Product structure decomposition

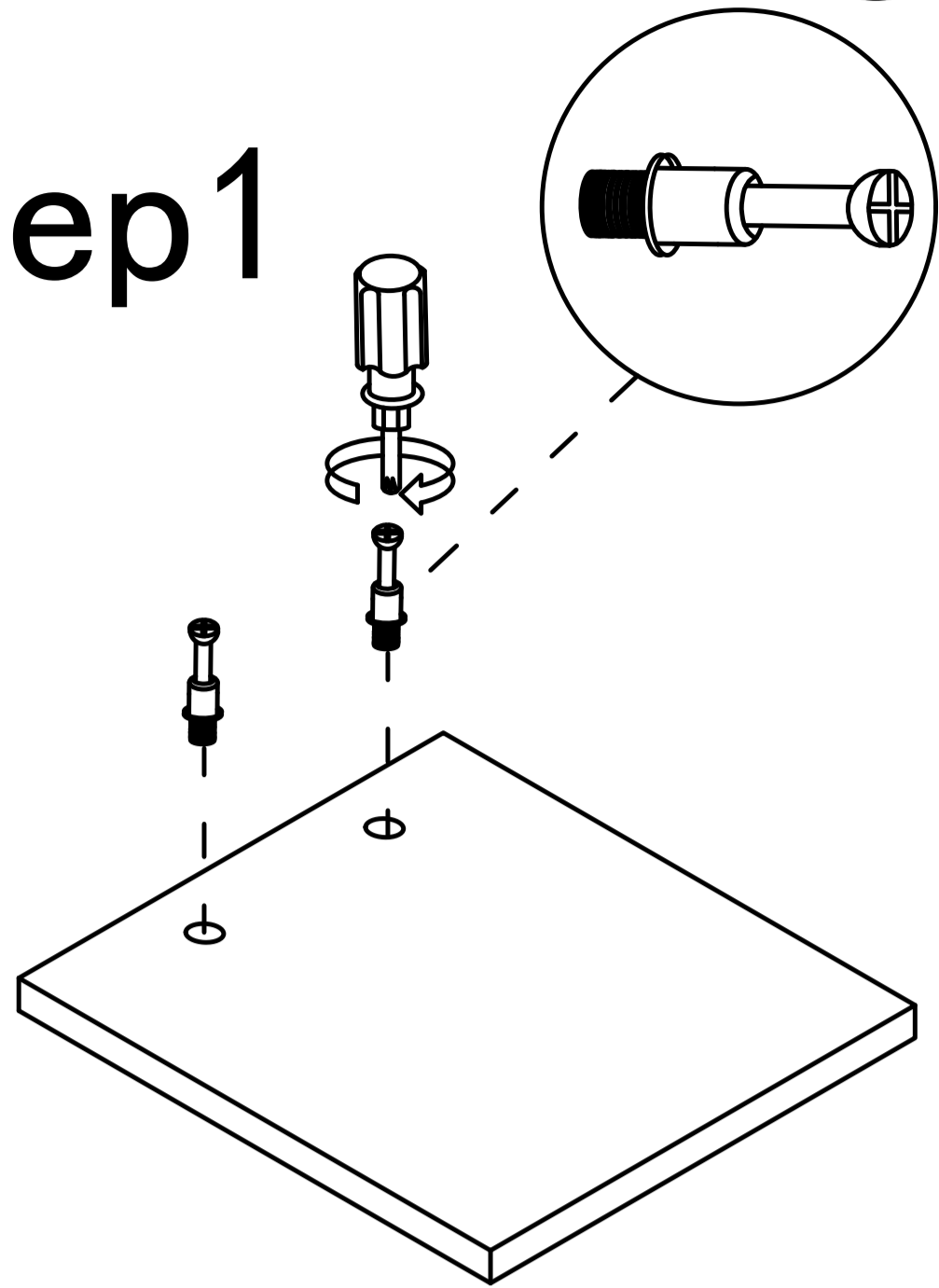


<p>1</p>		<p>16pcs</p>	<p>2</p>		<p>16pcs</p>	<p>4</p>		 <p>8pcs</p>
<p>5</p>	 <p>2pcs</p>	 <p>4pcs</p>						

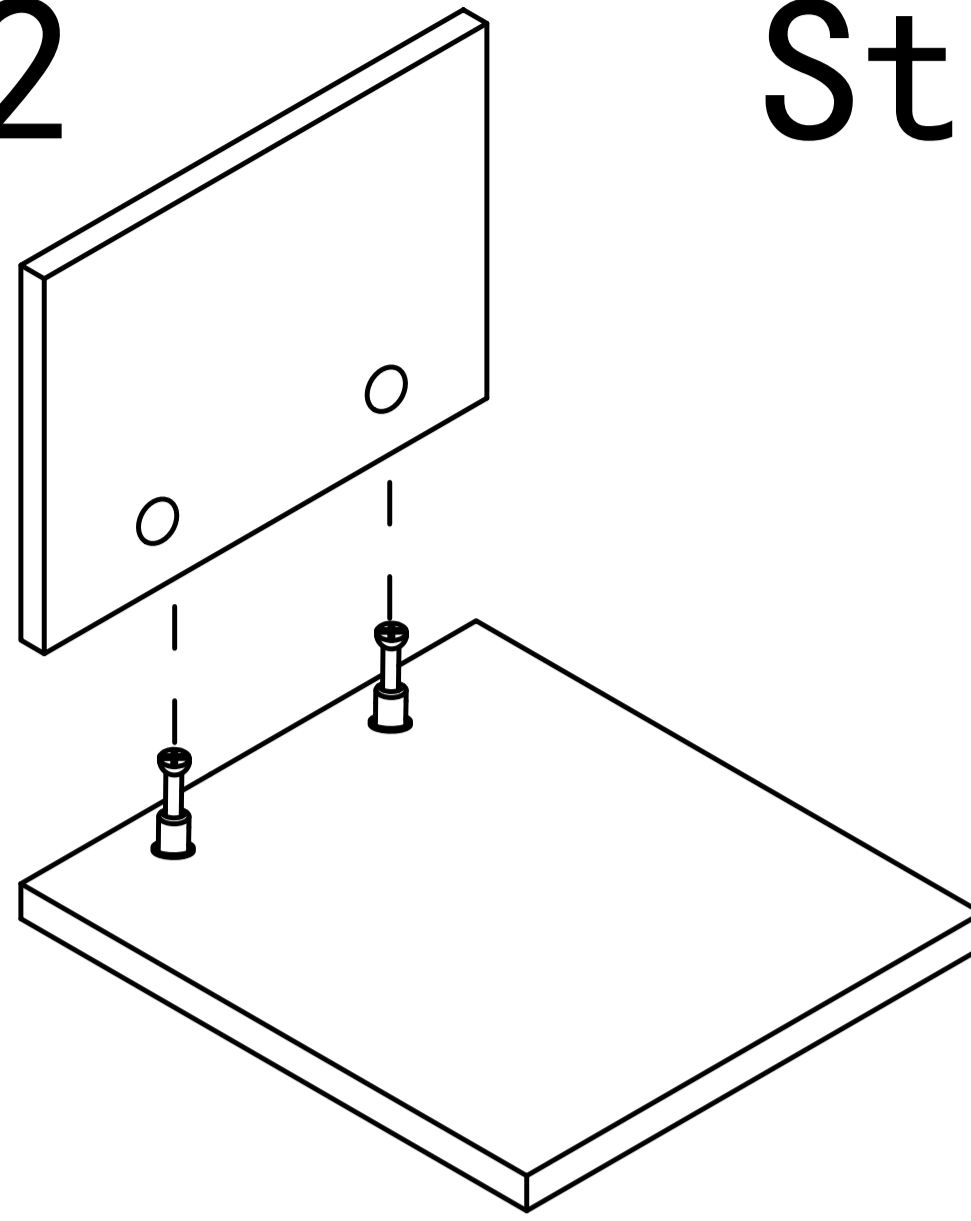


Use parts ① and ②

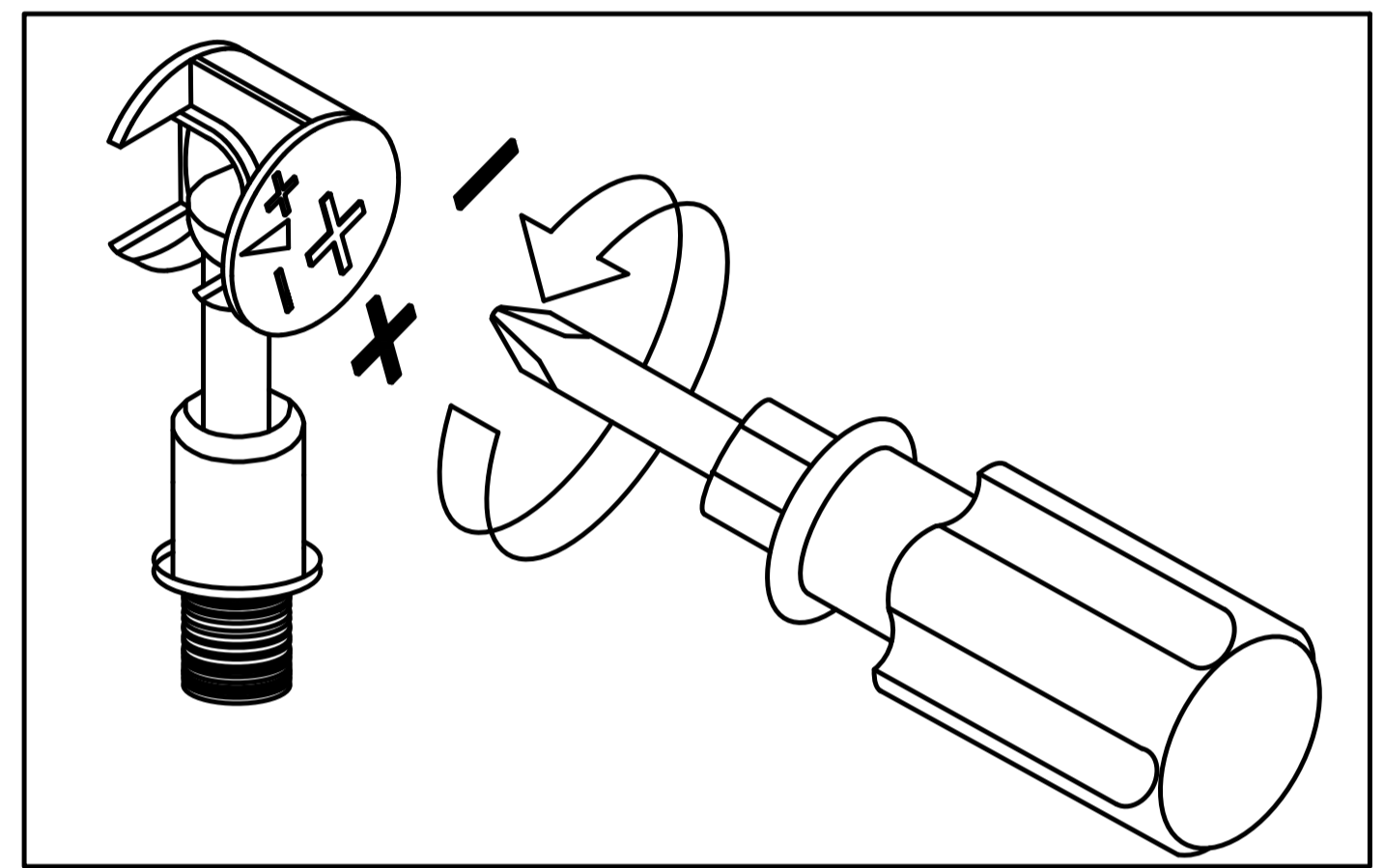
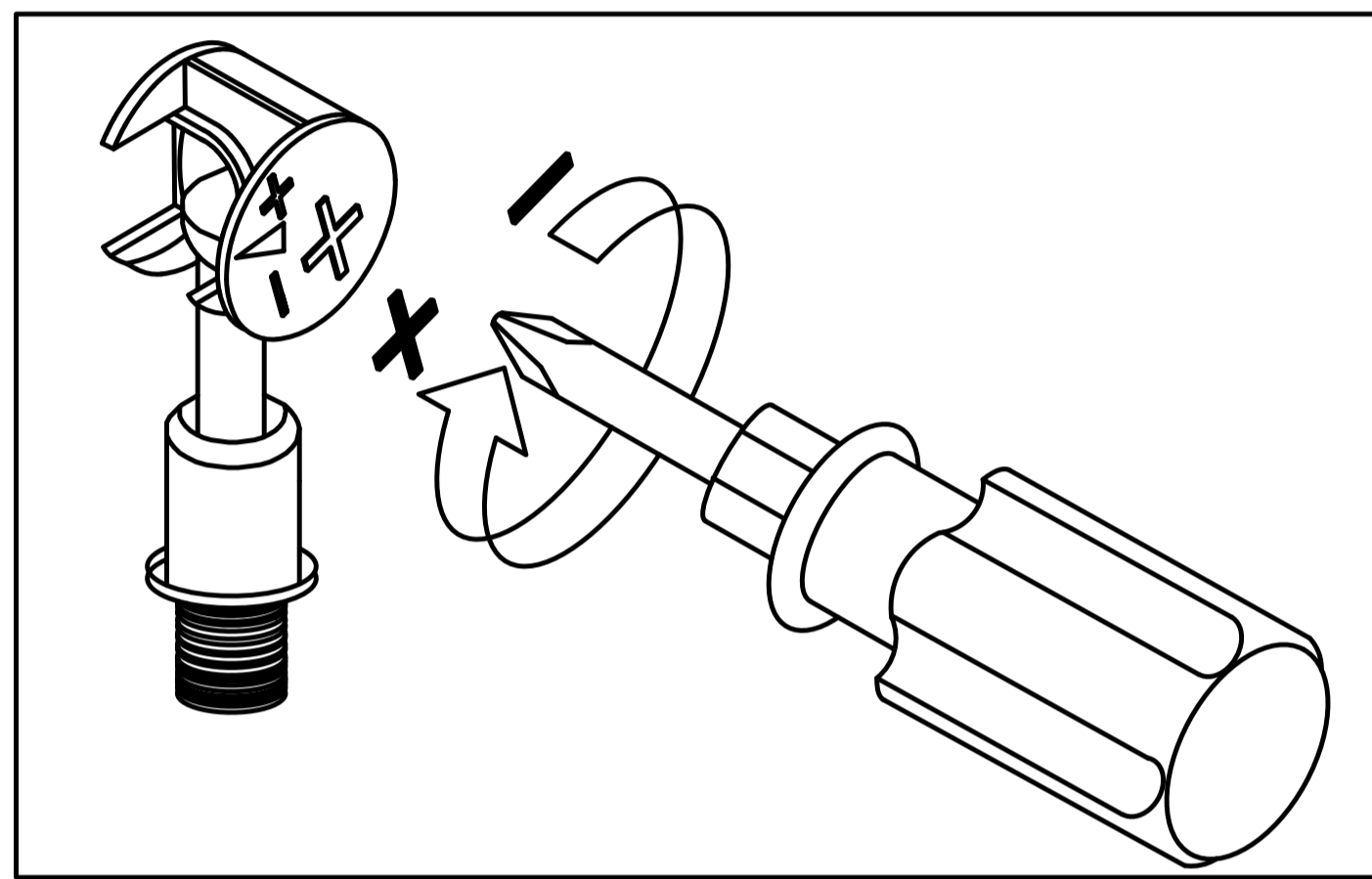
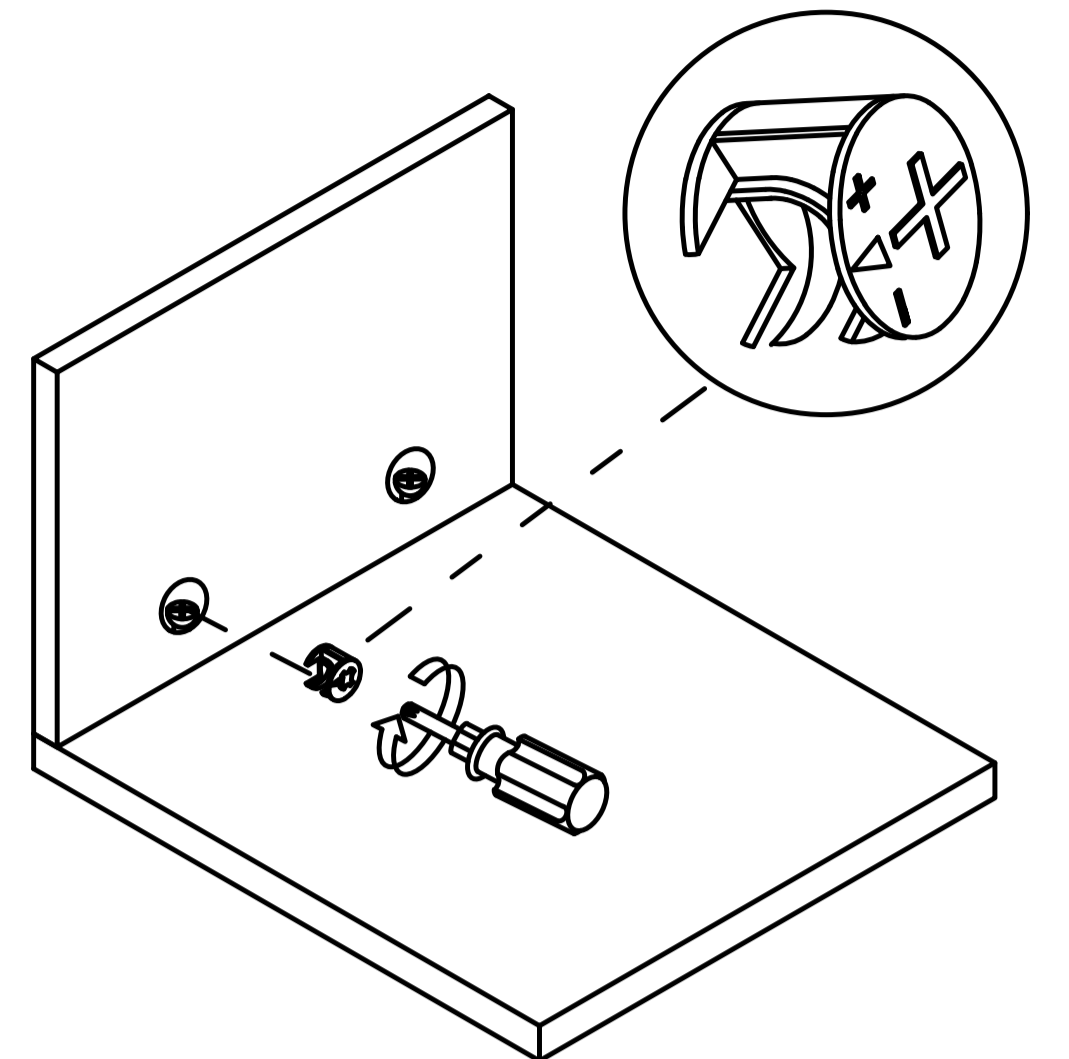
Step1



Step2



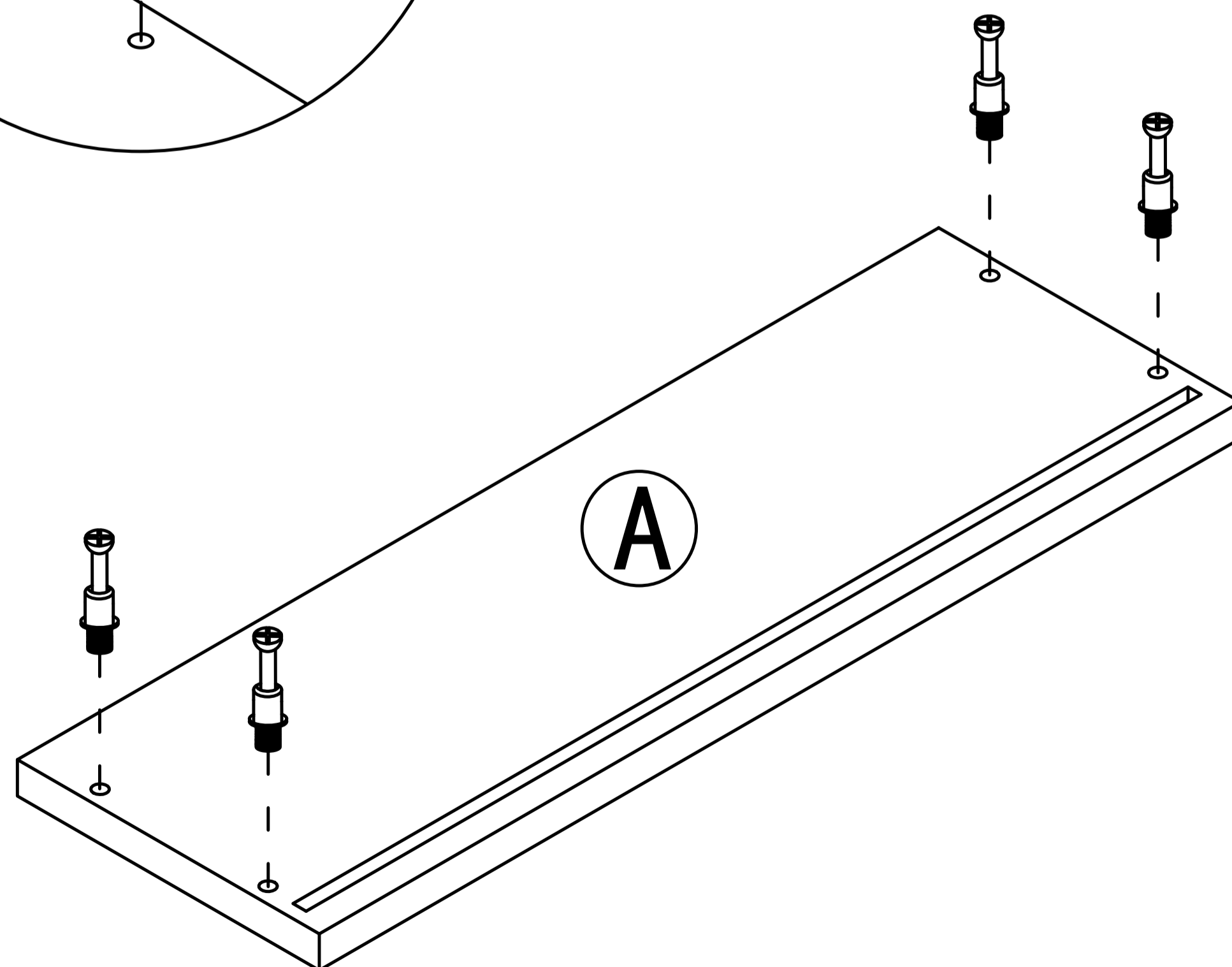
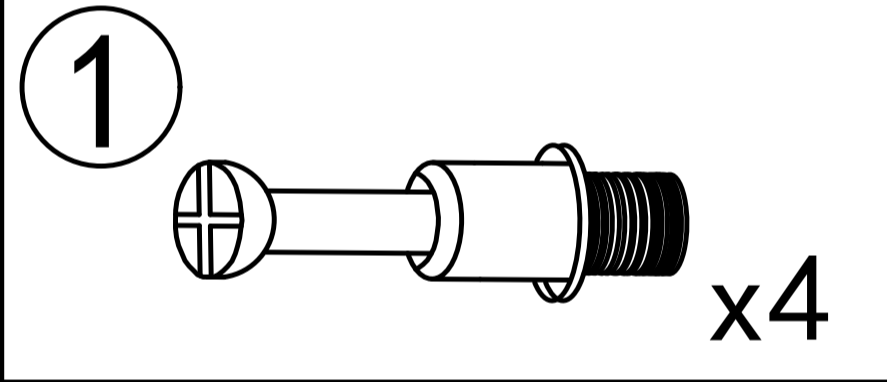
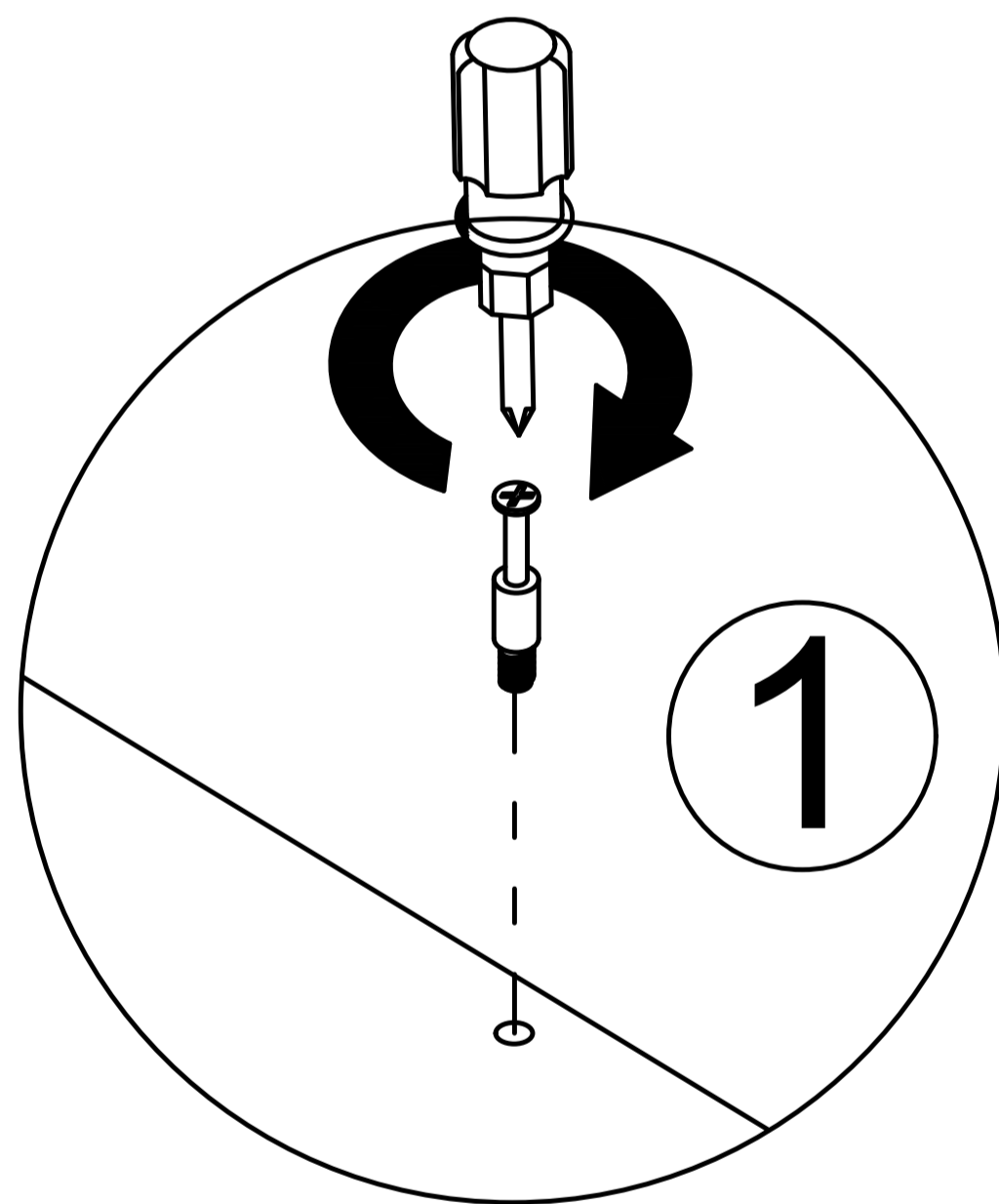
Step3



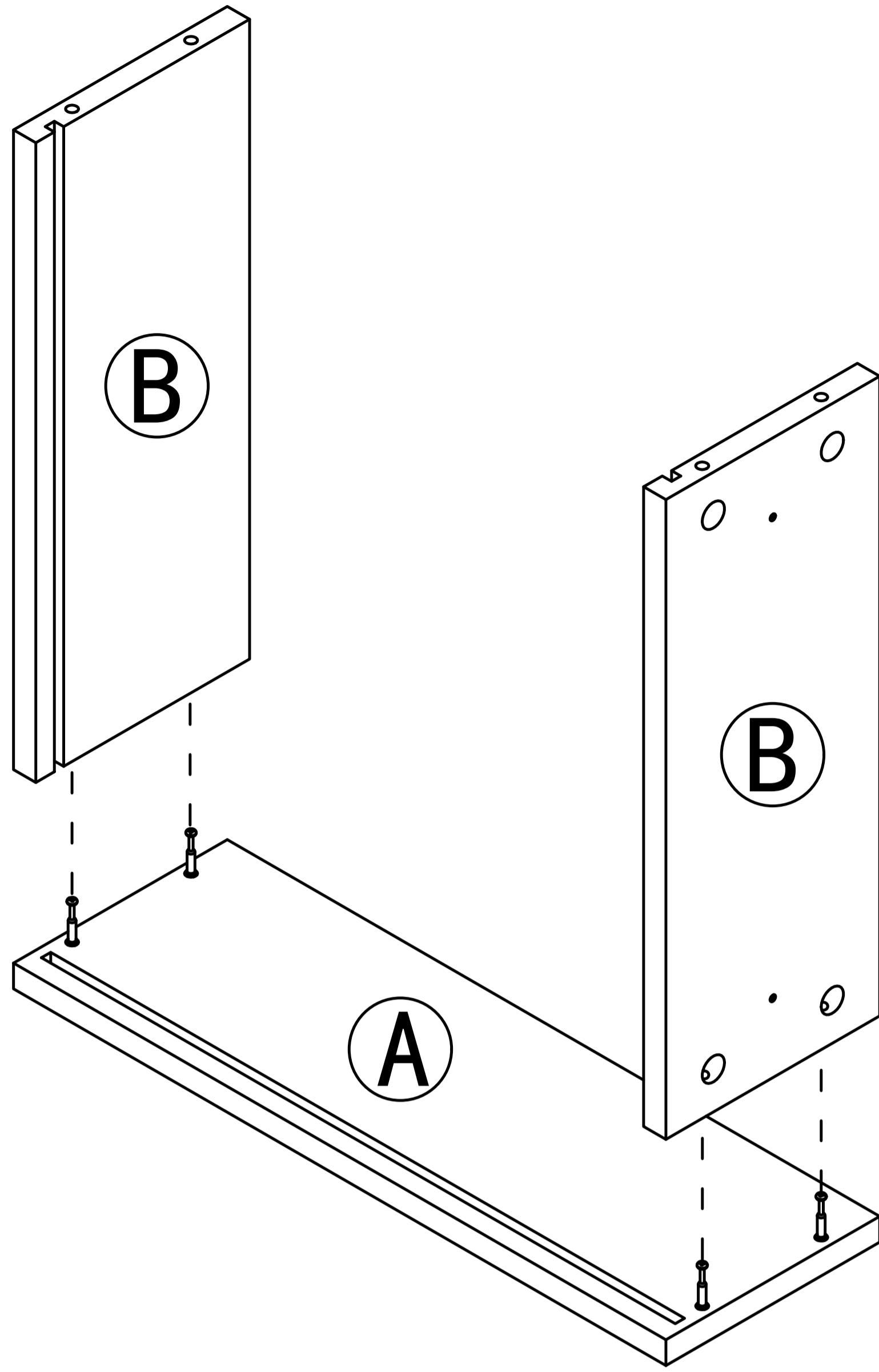
Use a screwdriver to lock in the direction of the "+" sign

Disassemble along the direction of "-" sign

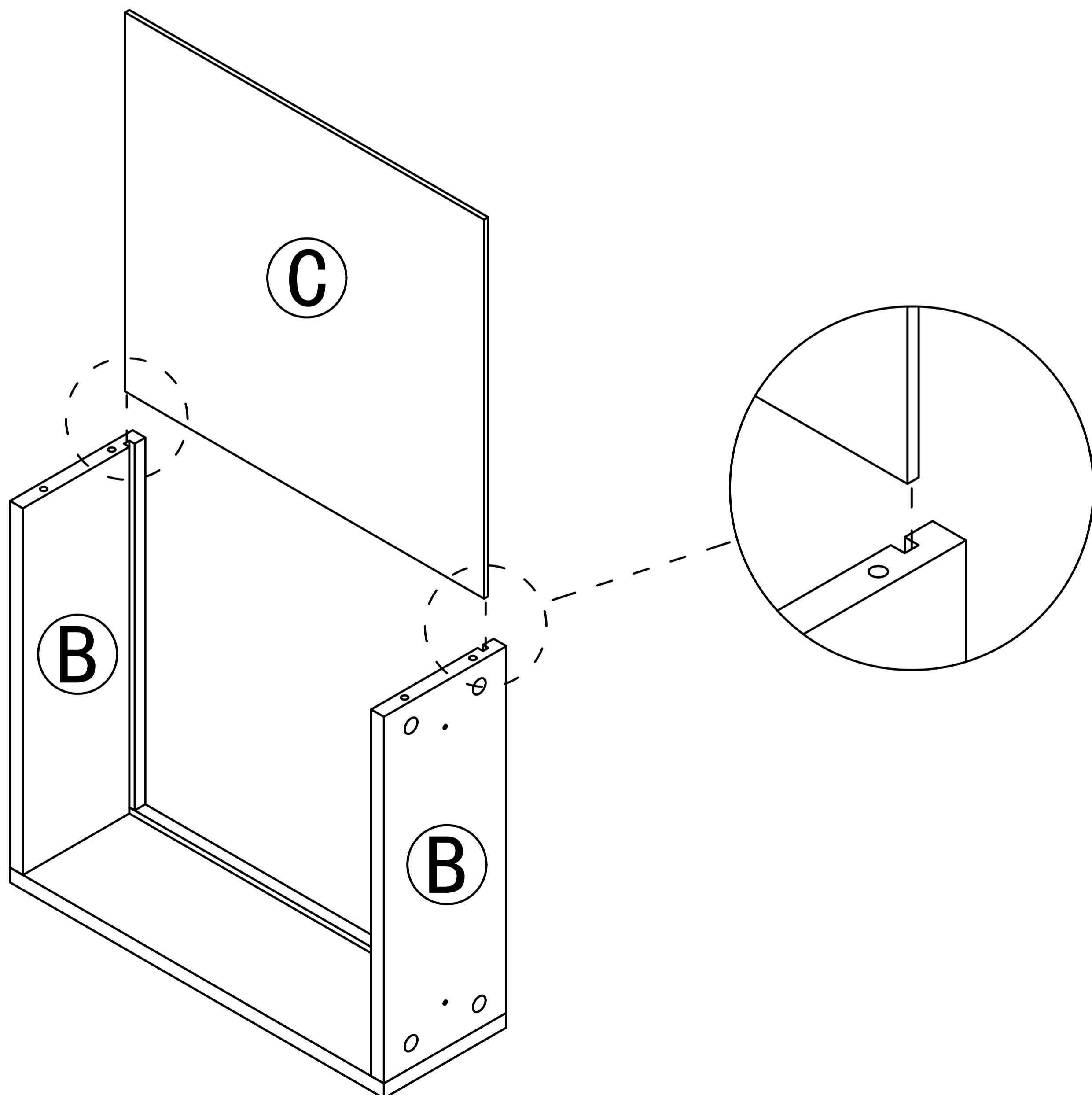
Step 1



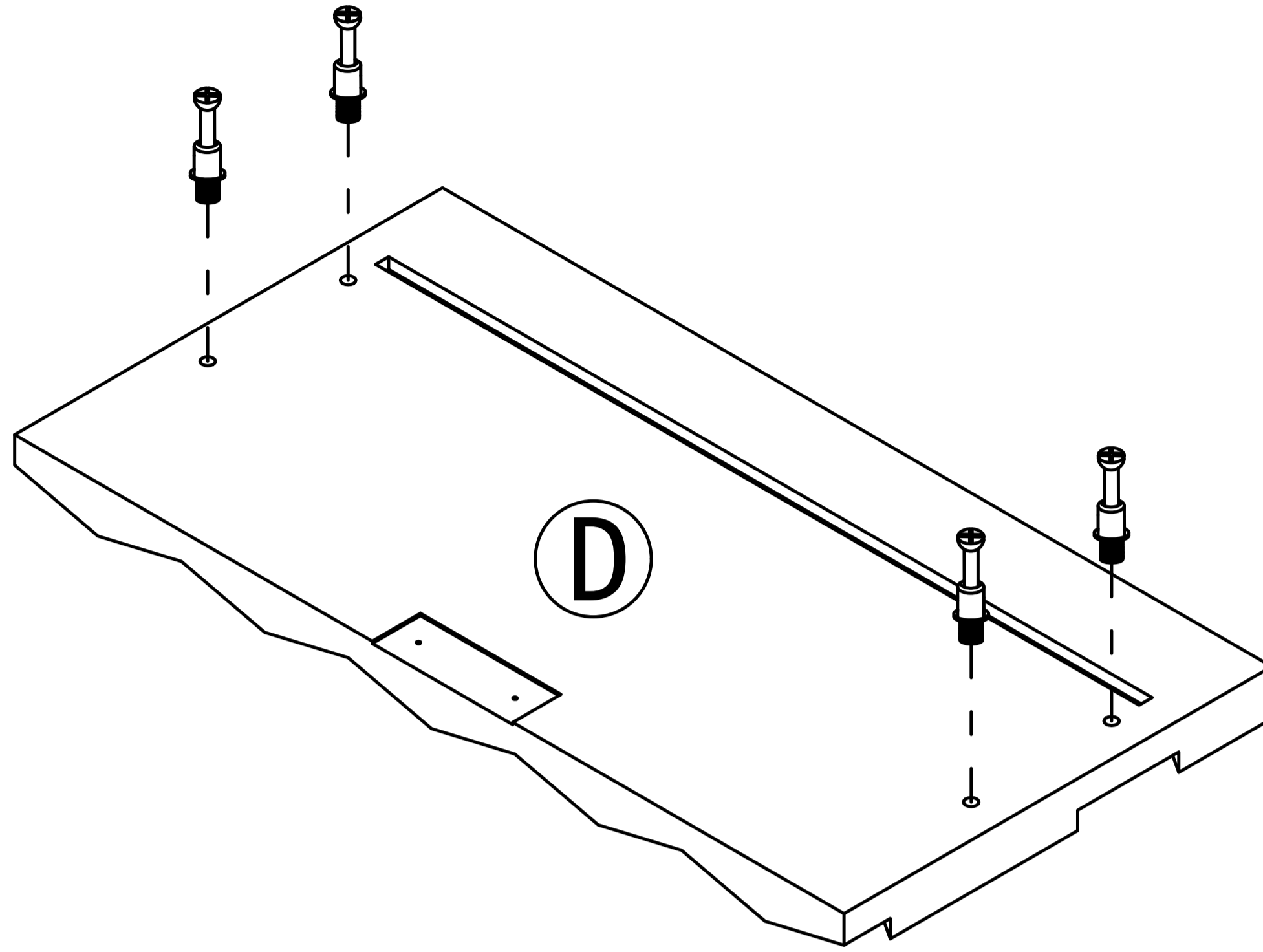
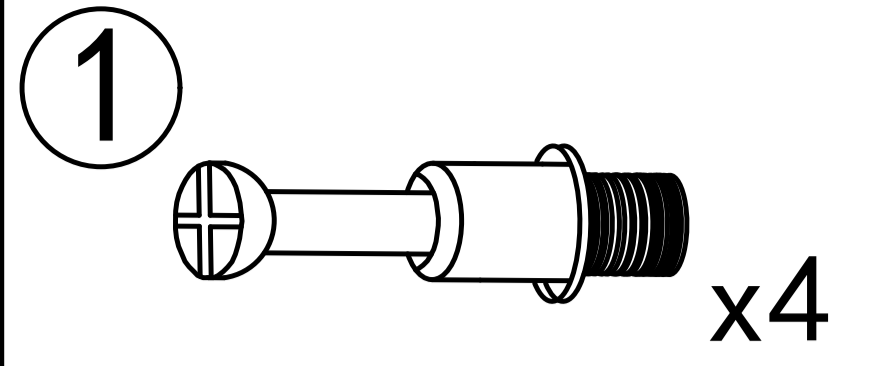
Step 2



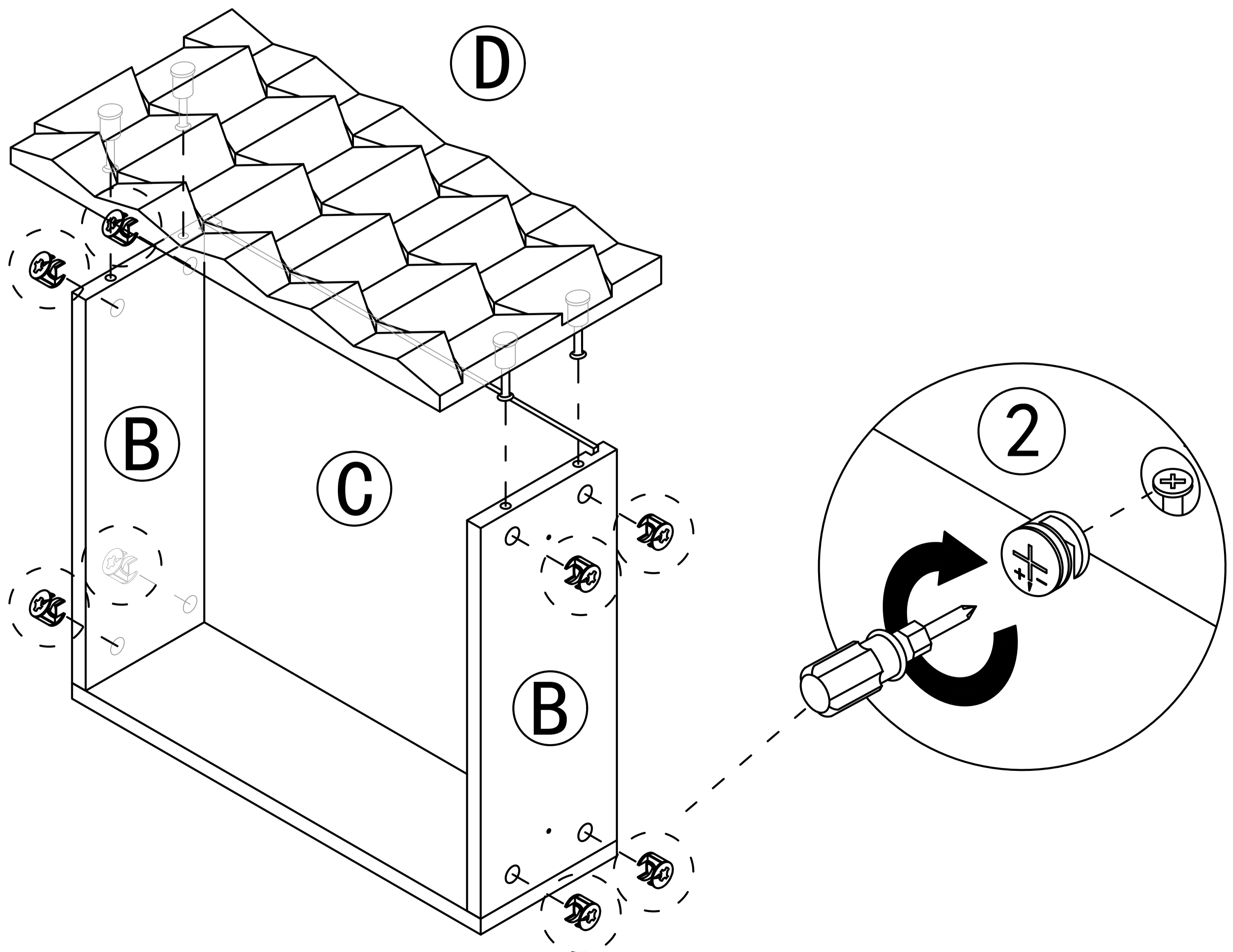
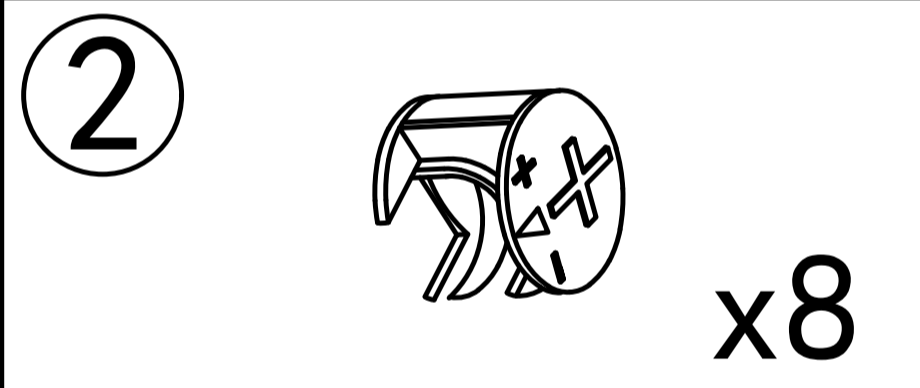
Step 3



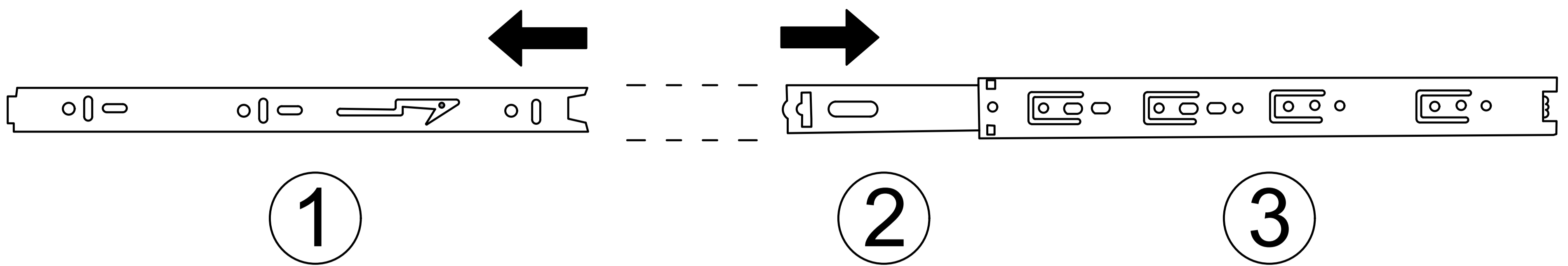
Step 4



Step 5

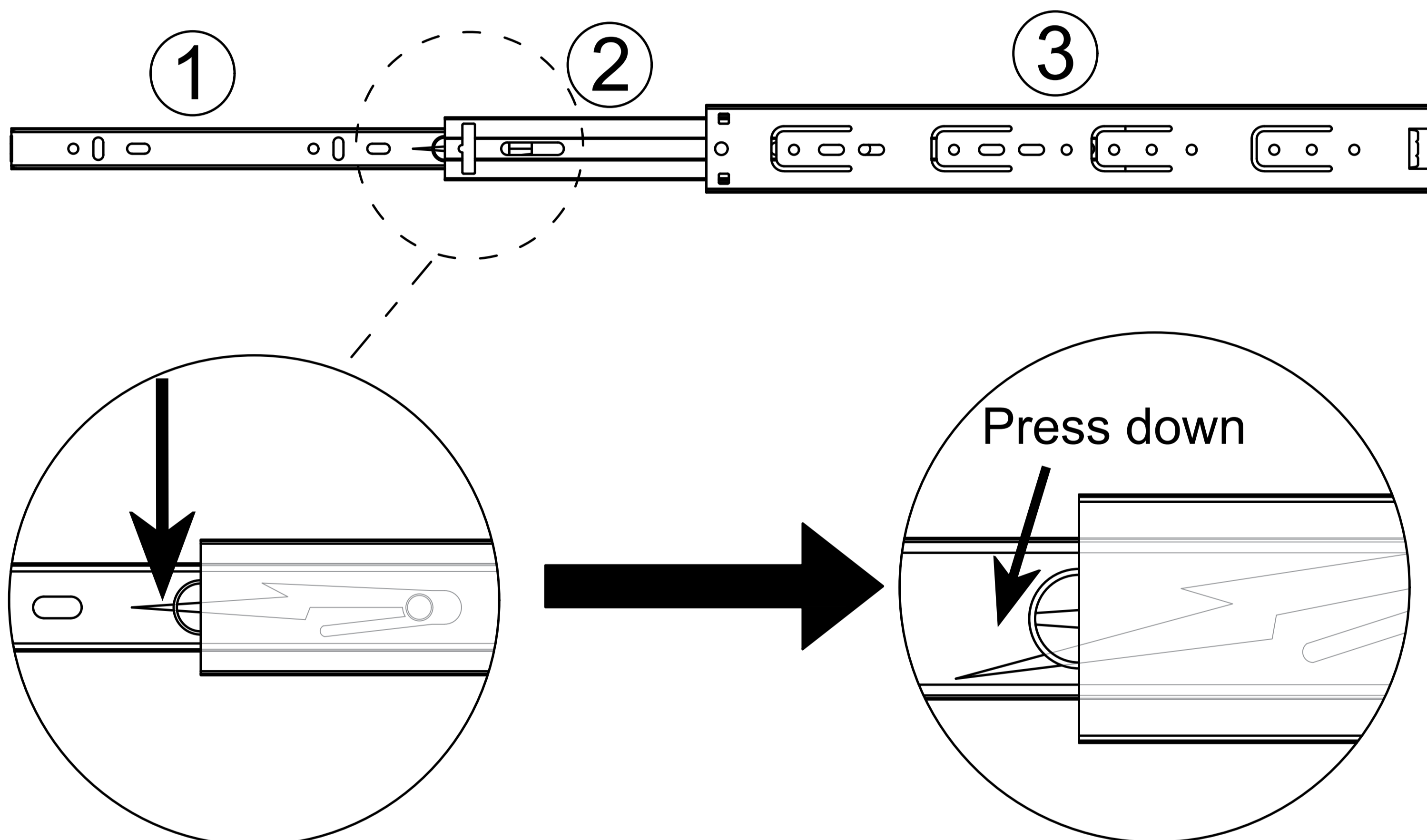


Drawer rail breakdown diagram



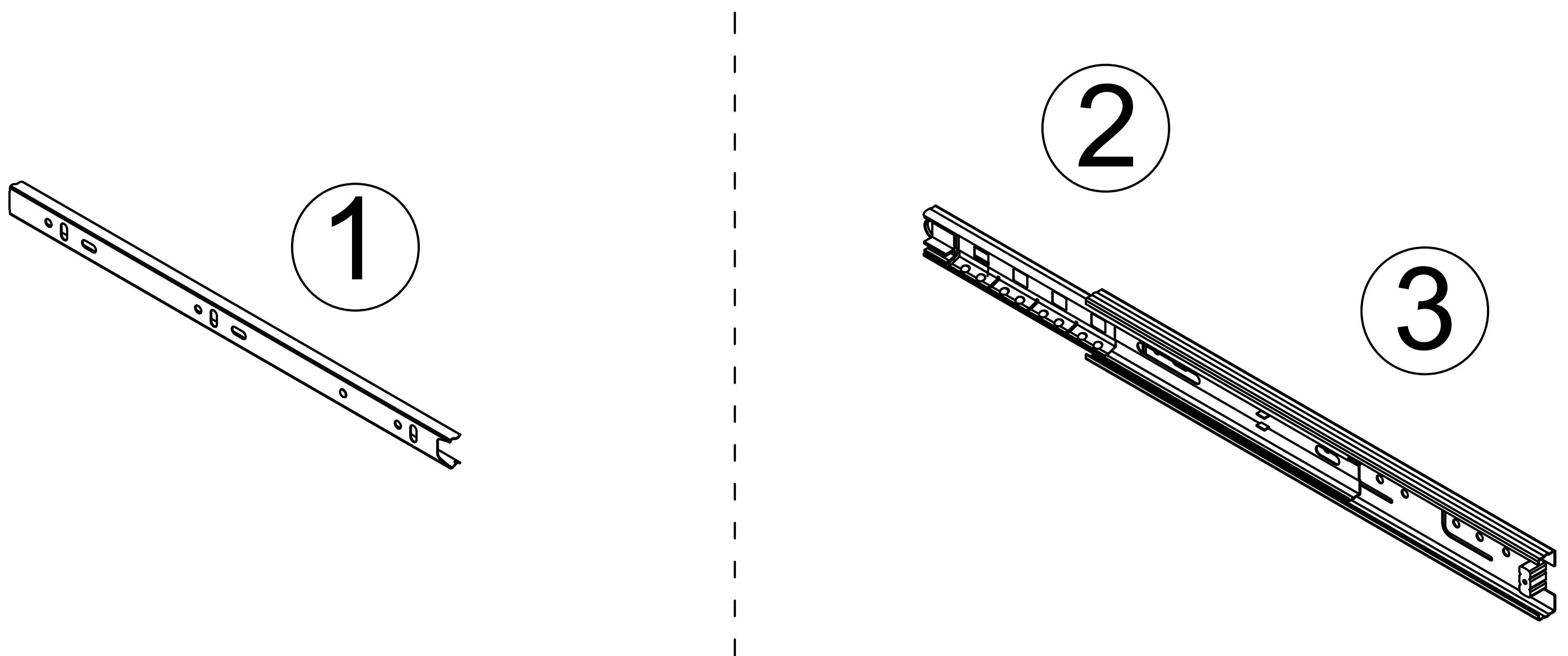
① Dismantle the schematic diagram

Step 1 : Pull the rails apart

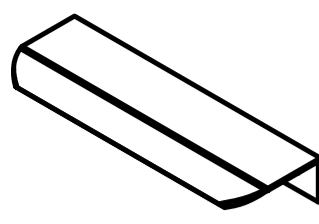
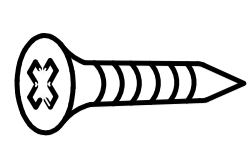


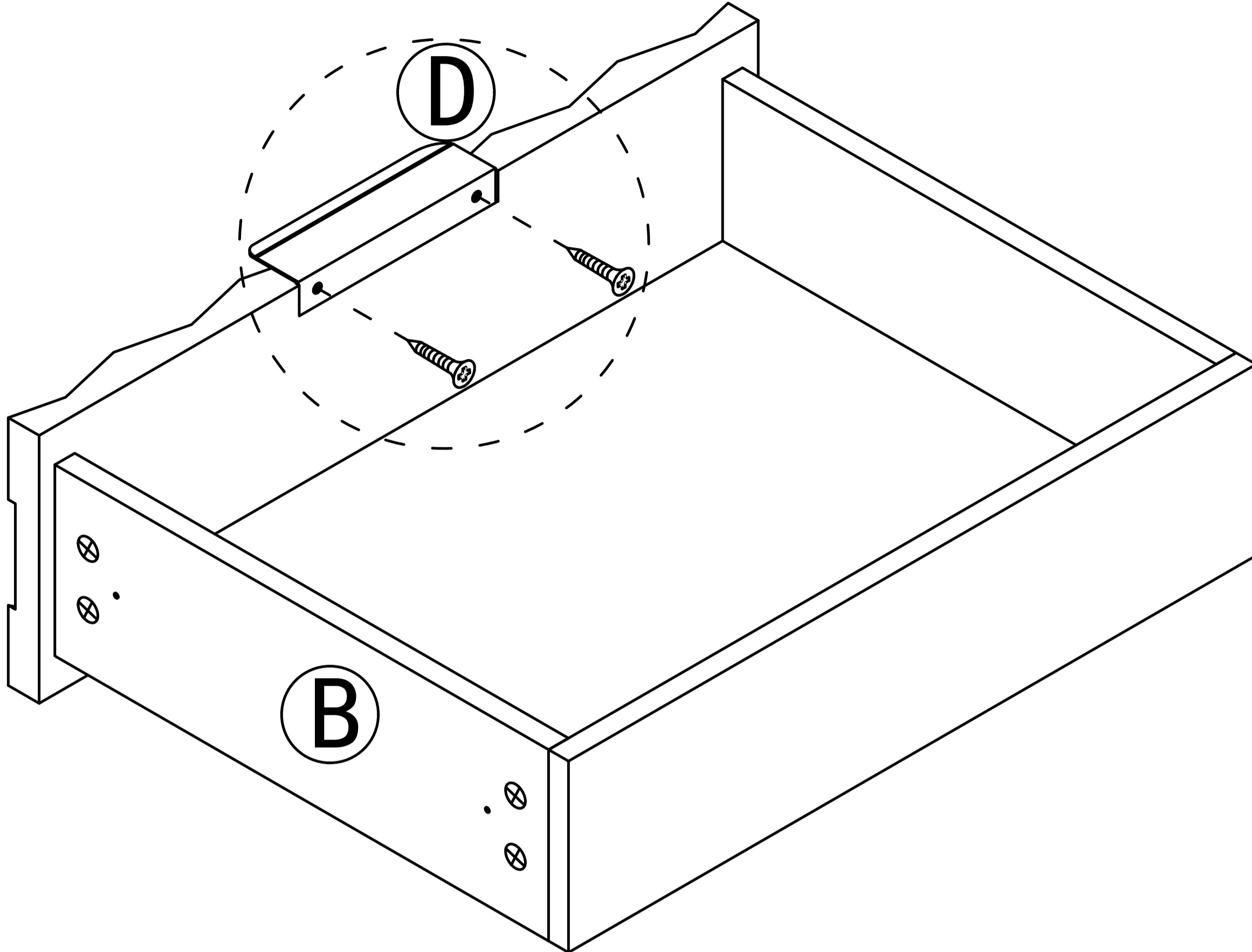
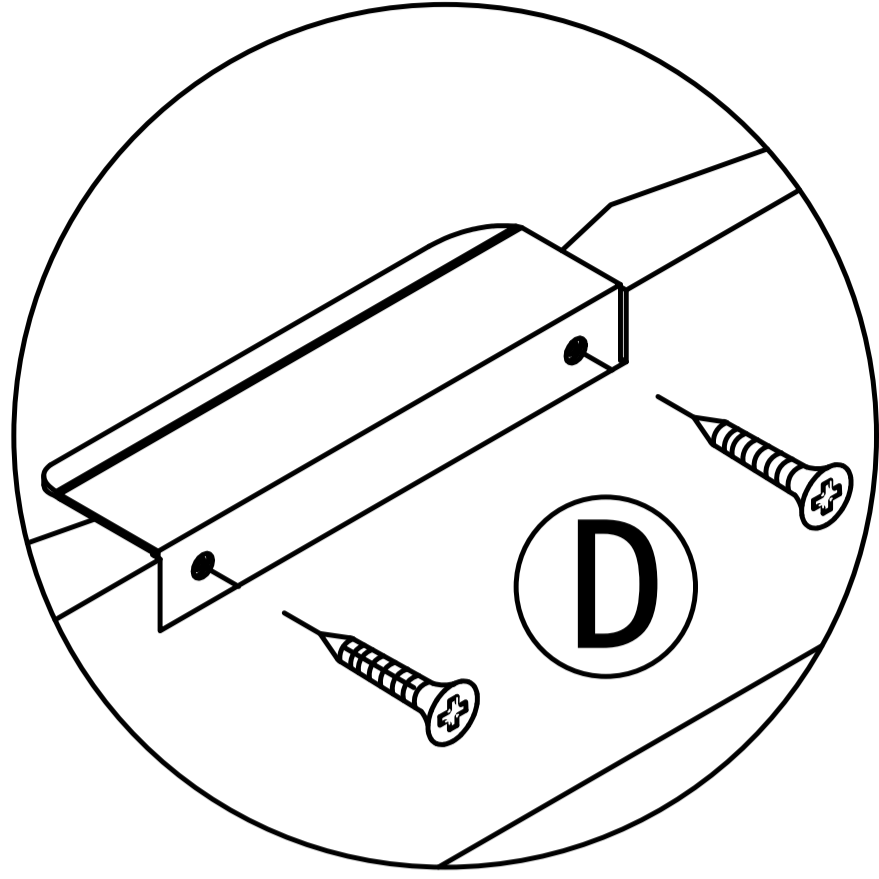
Step 2 : Press the nylon button and pull out ①.

Drawer rail decomposition completed schematic diagram

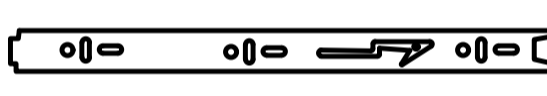



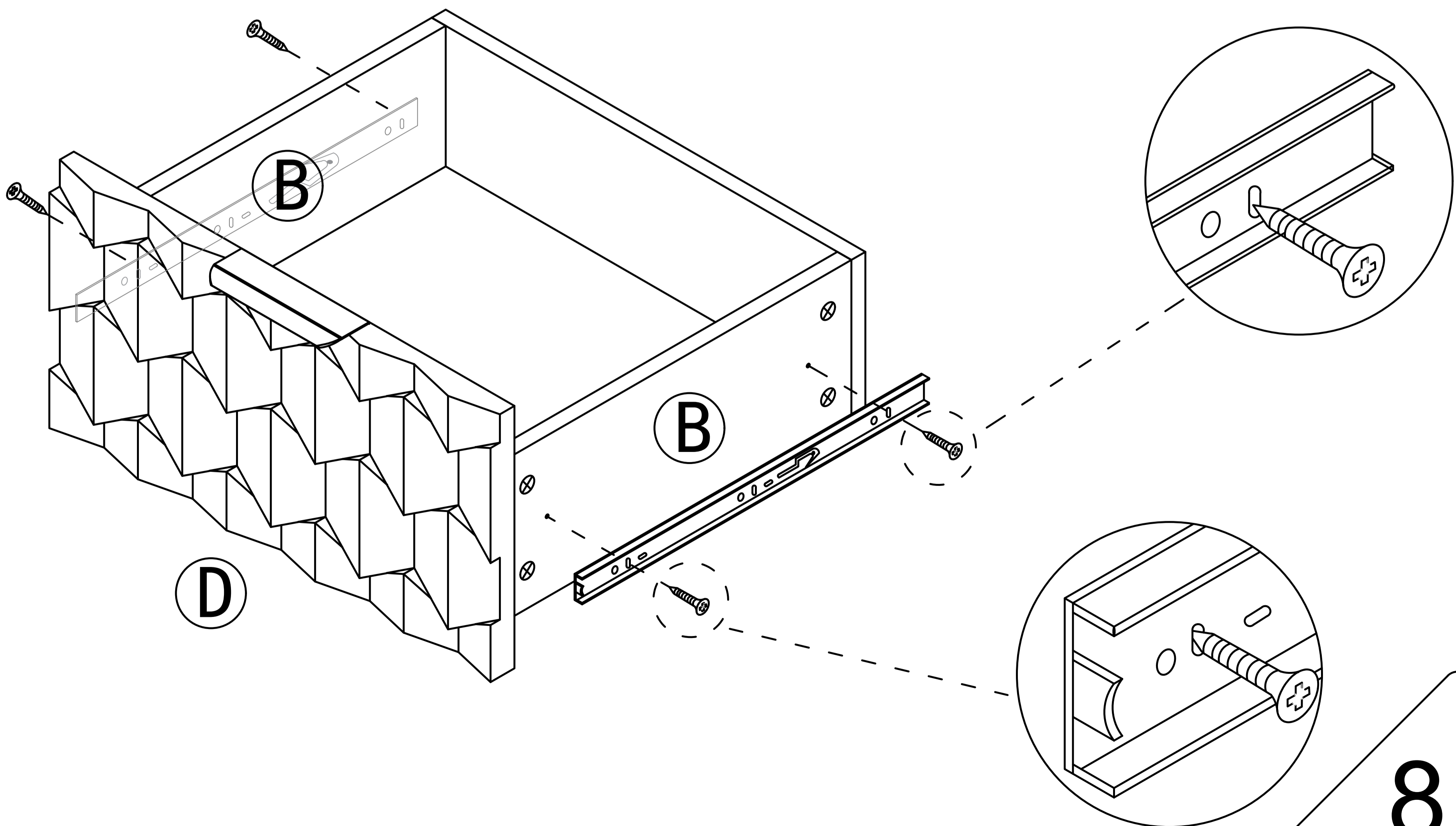
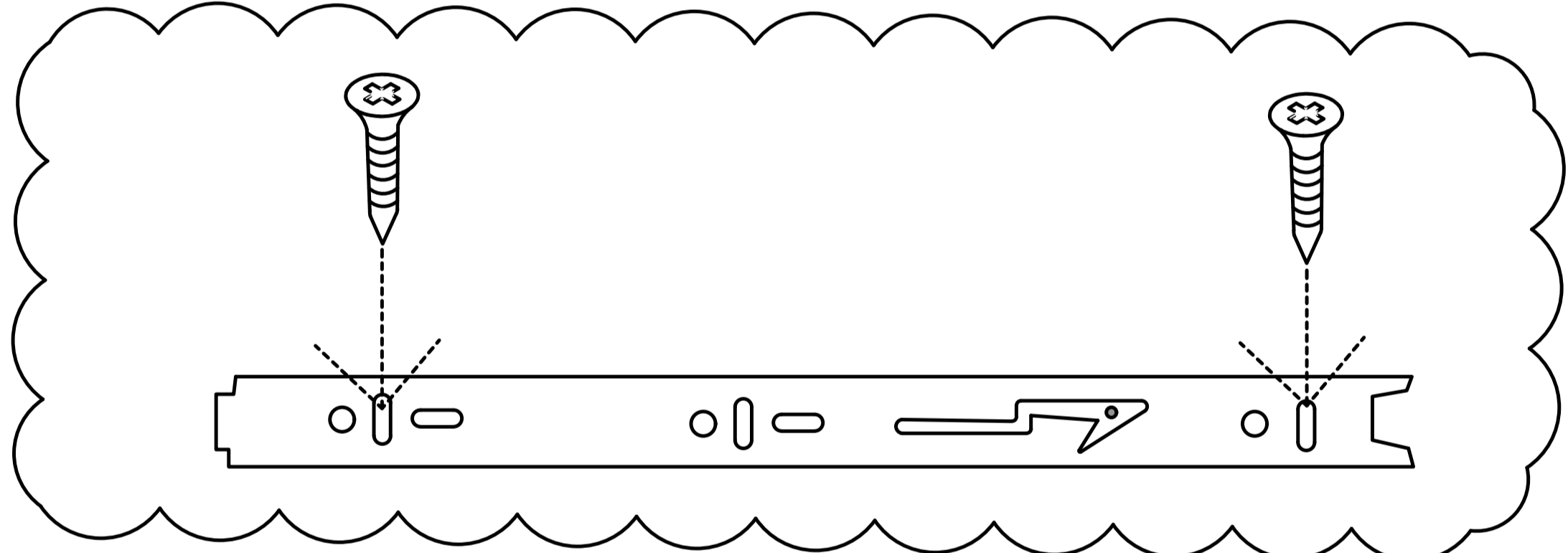
Step 6

- 5  x1
-  x2

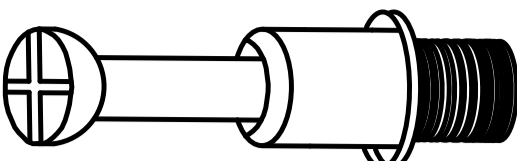
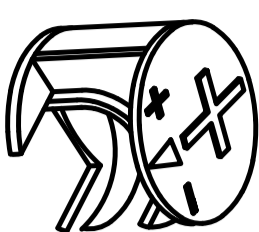
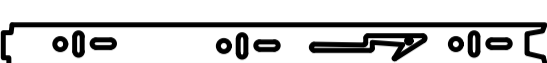

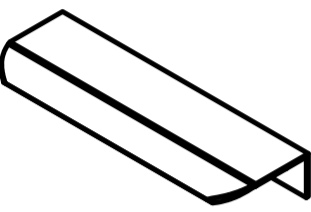



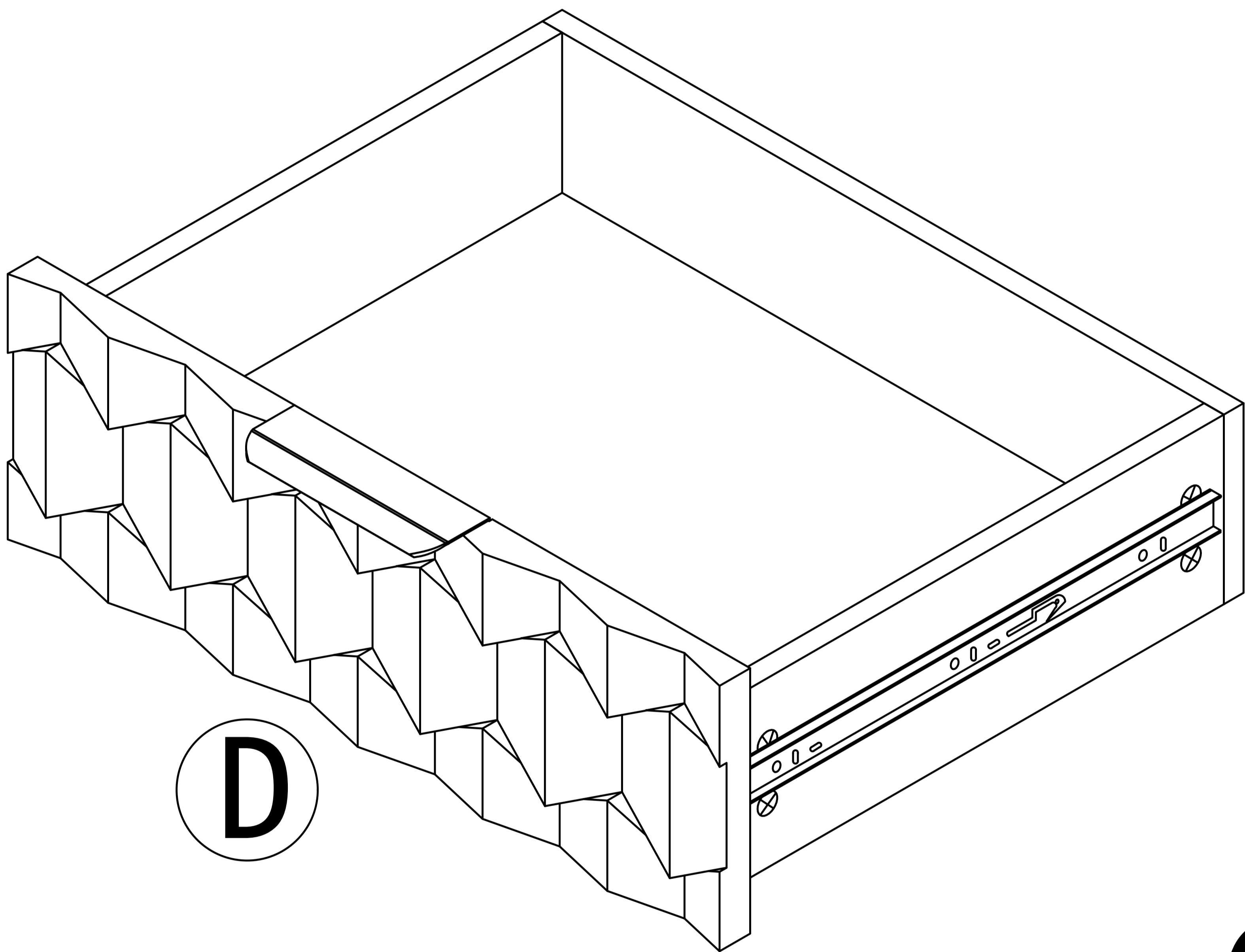
Step 7

- 4  x2
-  x4



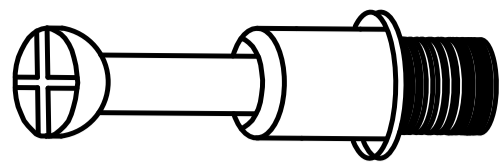
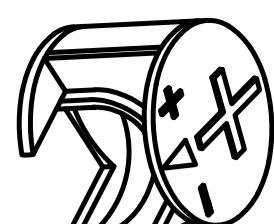

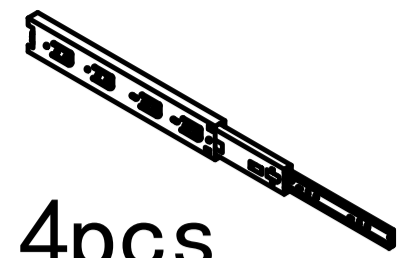
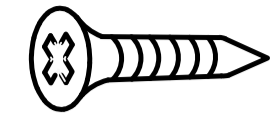

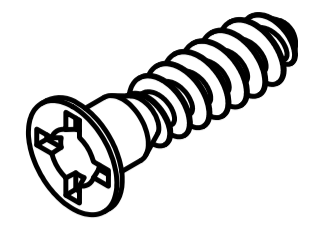
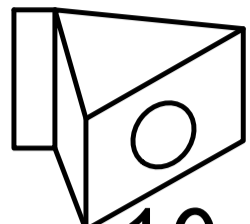

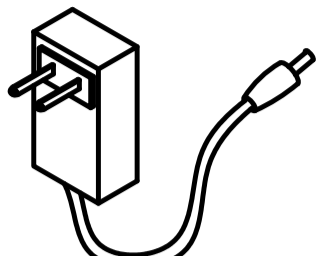
Step 8

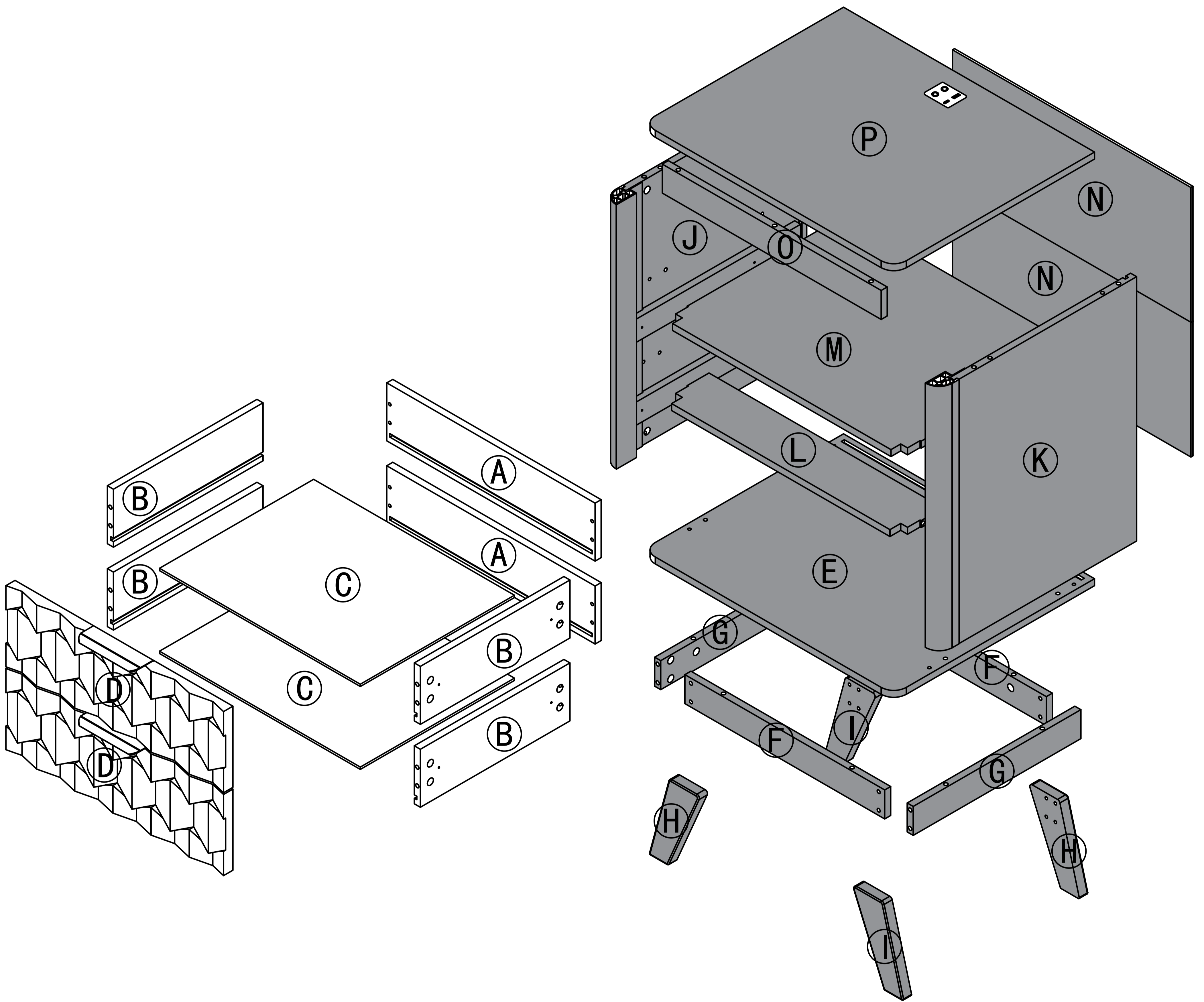
- ①  x8
- ②  x8
- ④  x2
 x4
- ⑤  x1  x2



x2

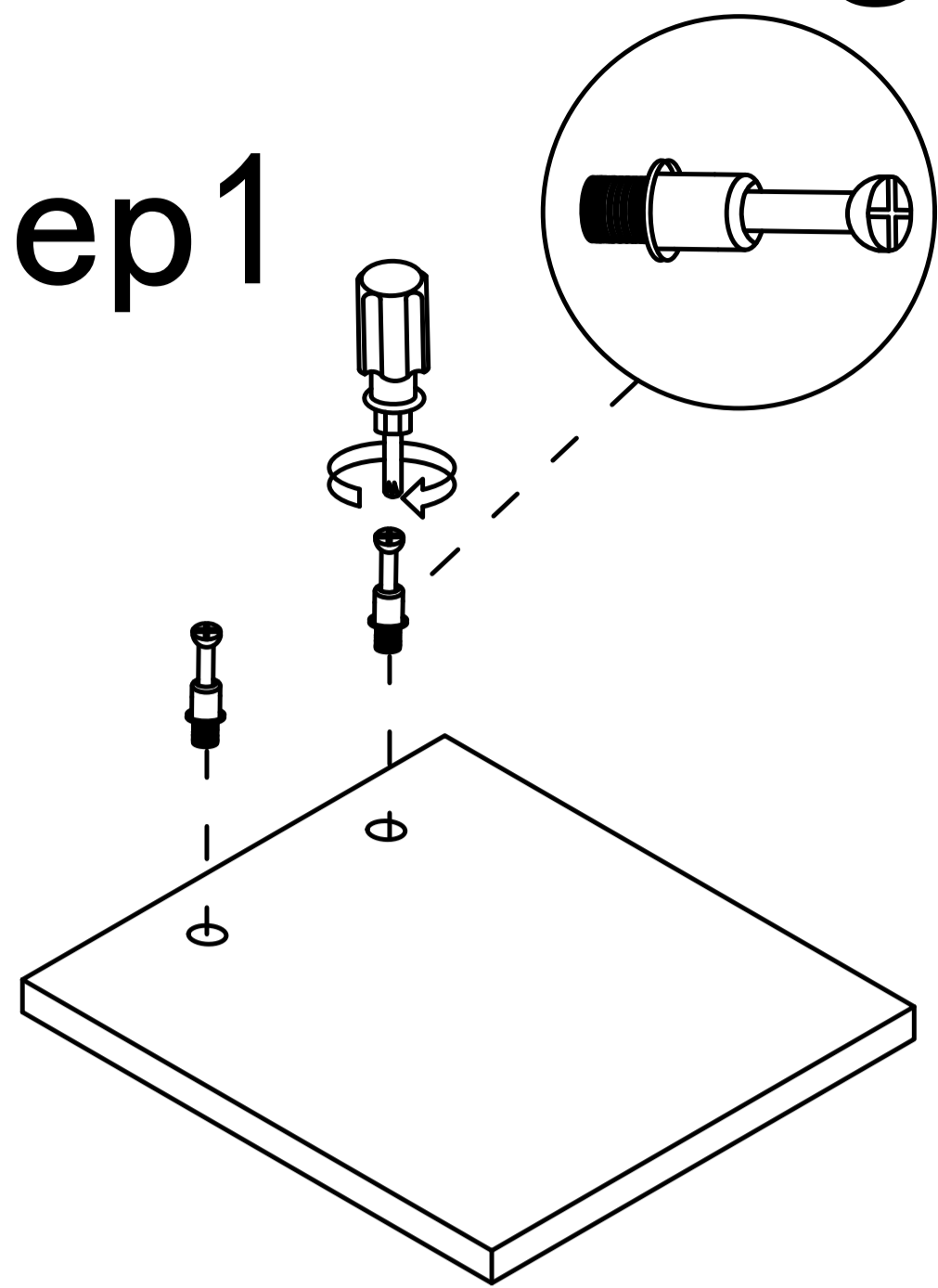
Repeat the drawer installation steps

①		35pcs	②		35pcs	③		12pcs
④		4pcs	⑤		12pcs	⑥		4pcs
⑦		8pcs	⑧		10pcs			10pcs
					1pcs			

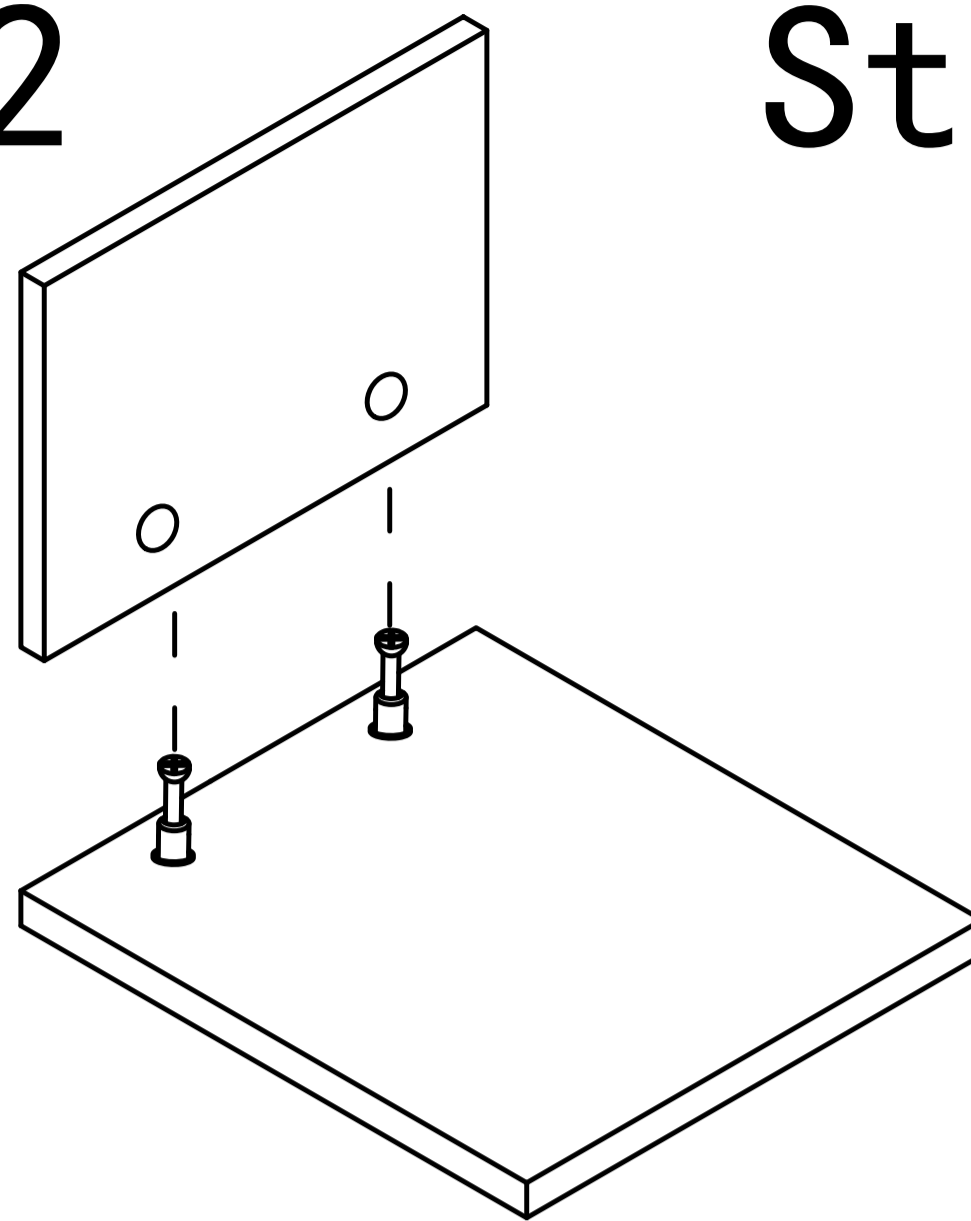


Use parts ① and ②

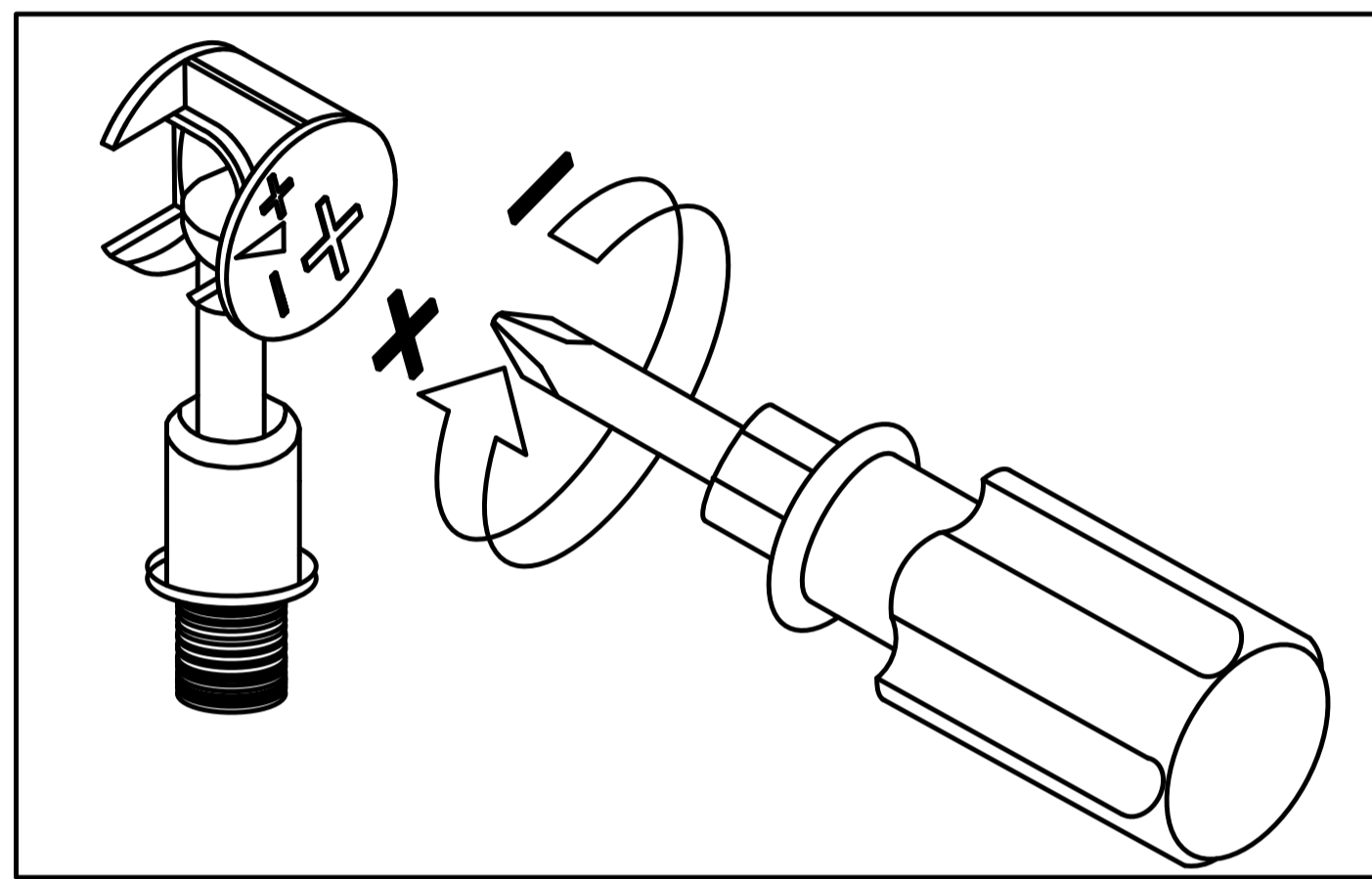
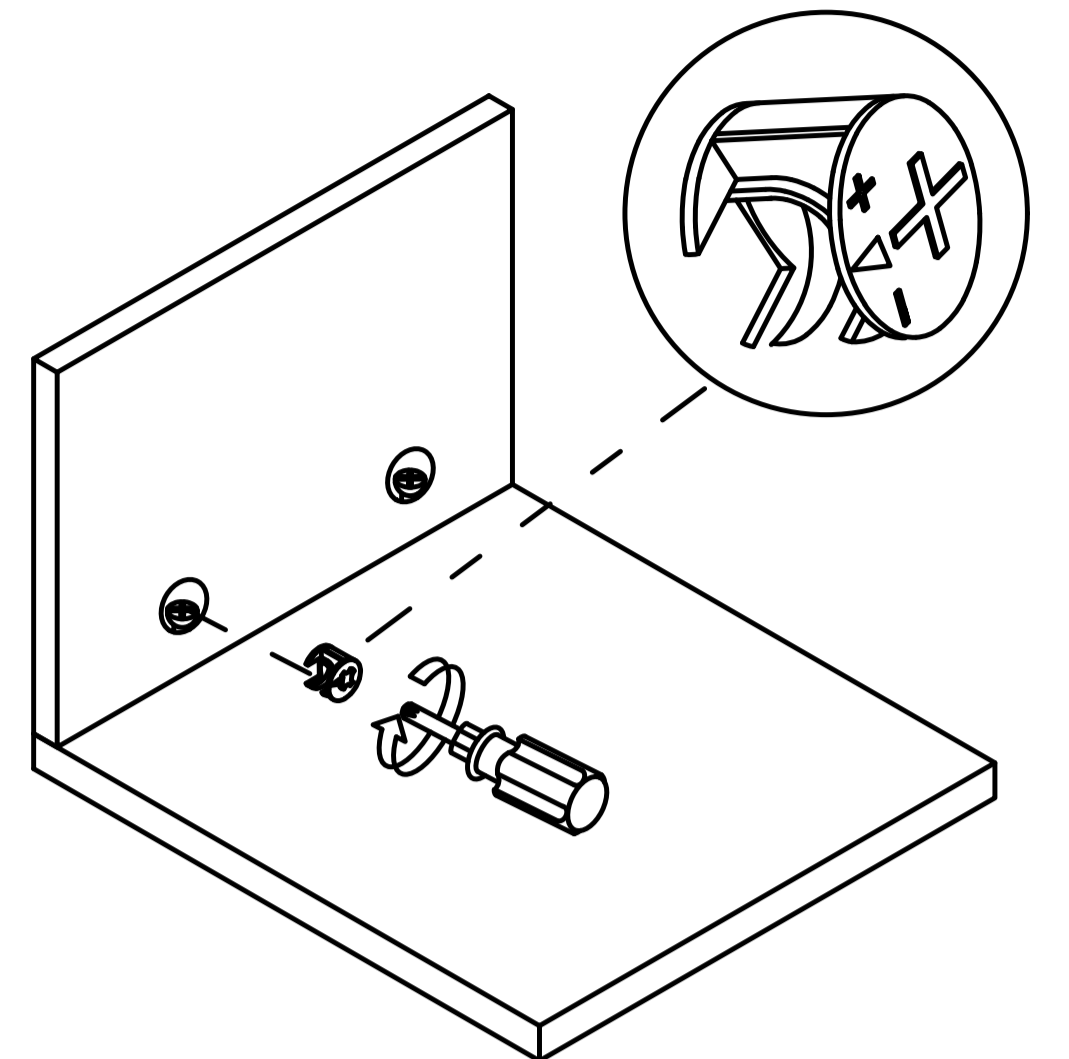
Step 1



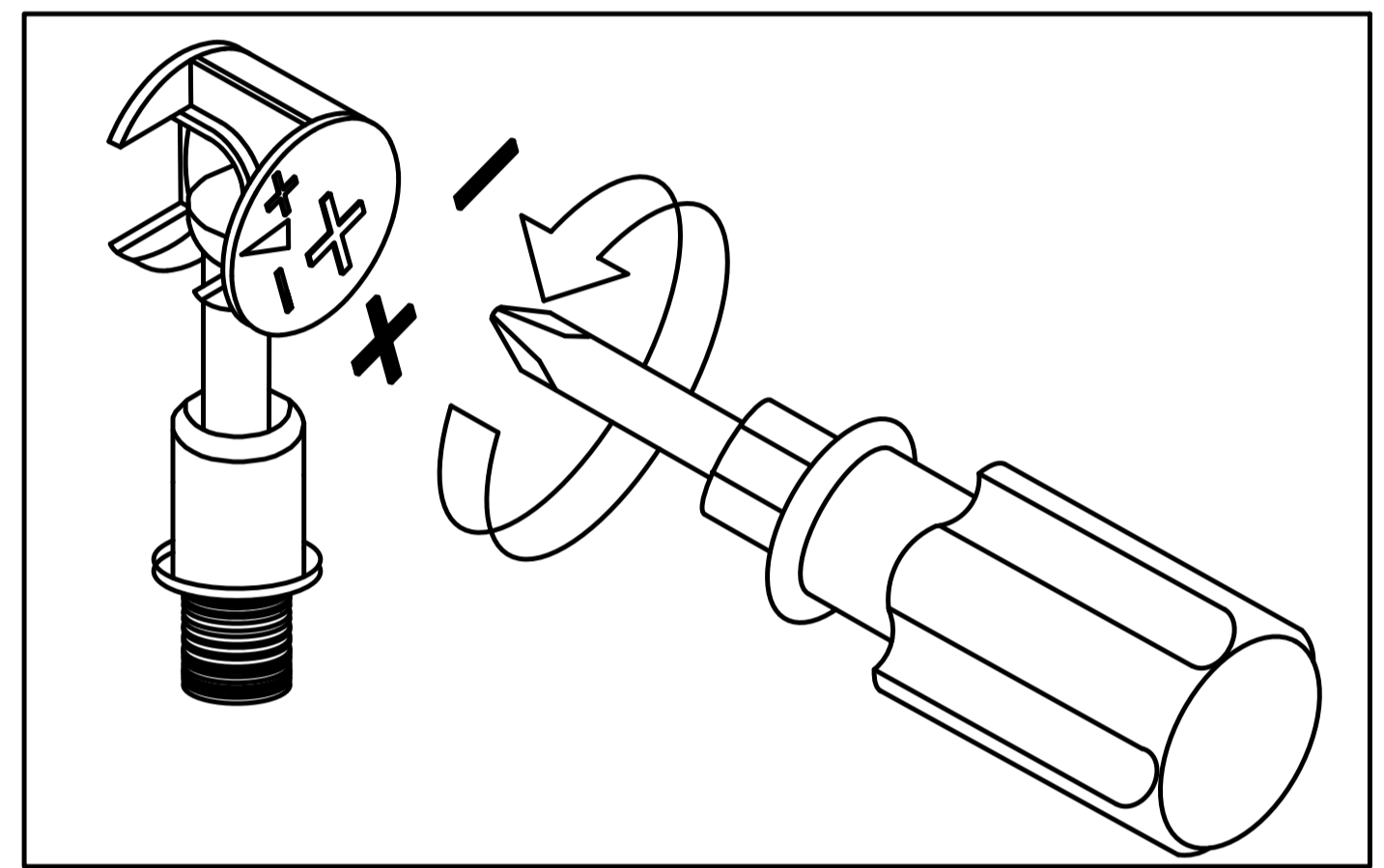
Step 2



Step 3

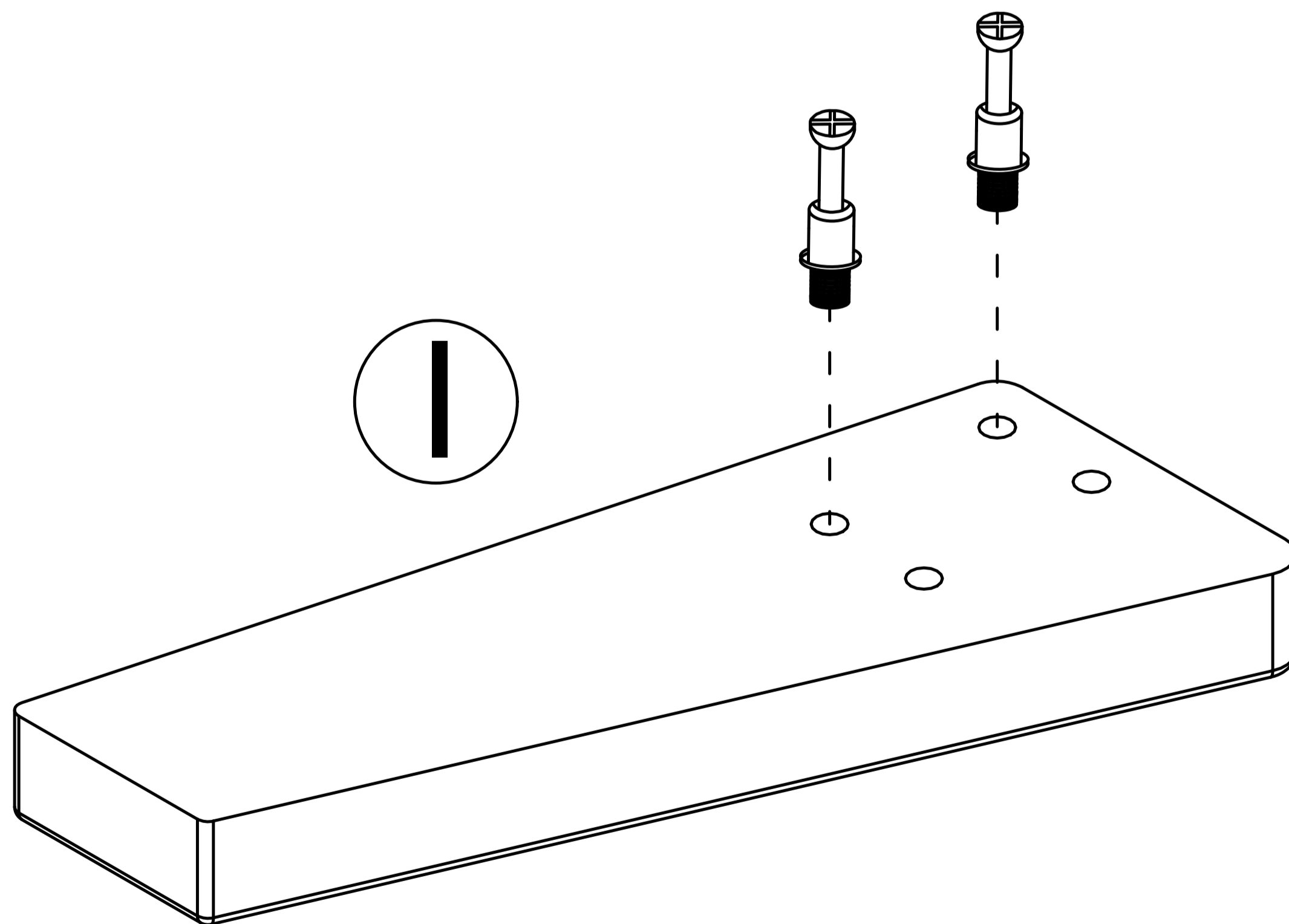
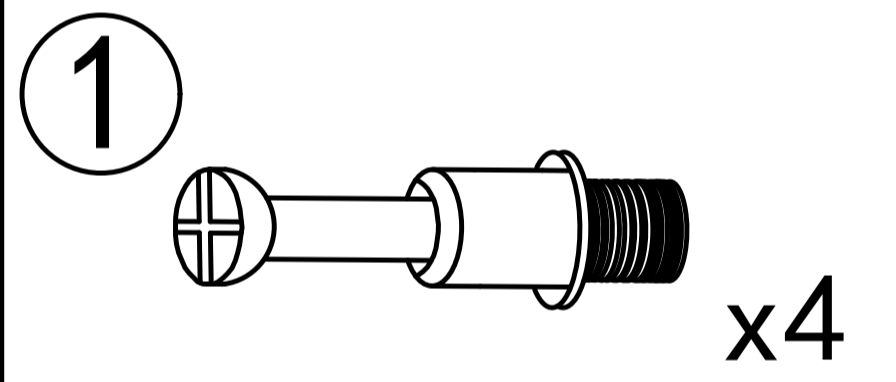


Use a screwdriver to lock in the direction of the "+" sign



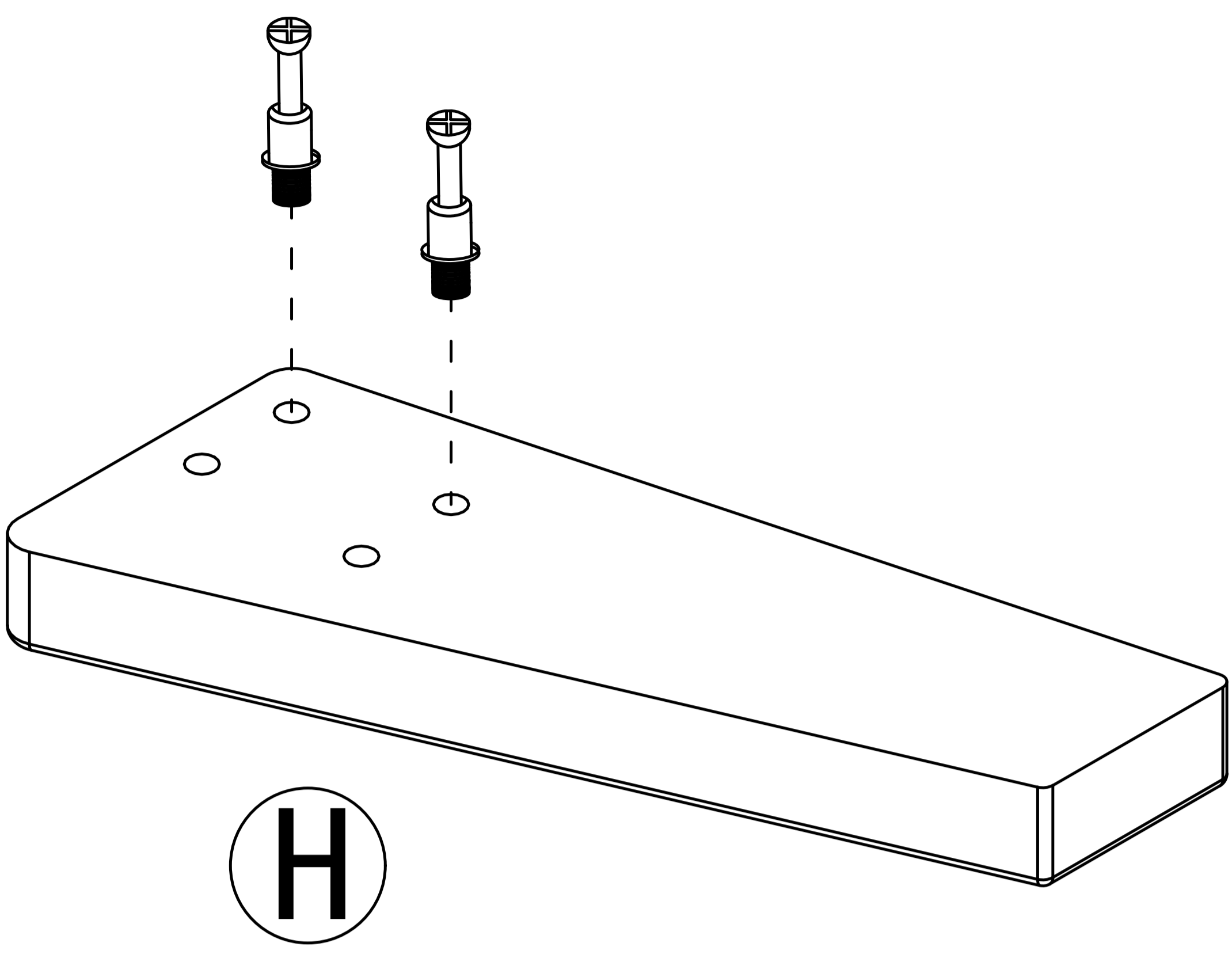
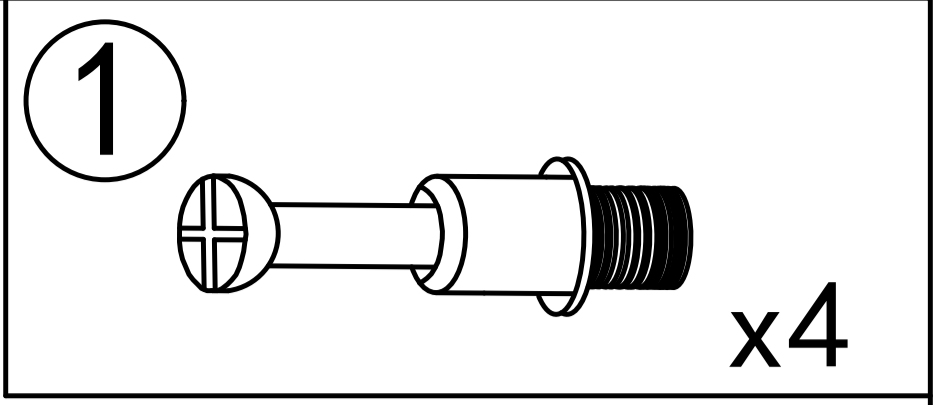
Disassemble along the direction of "-" sign

Step 9



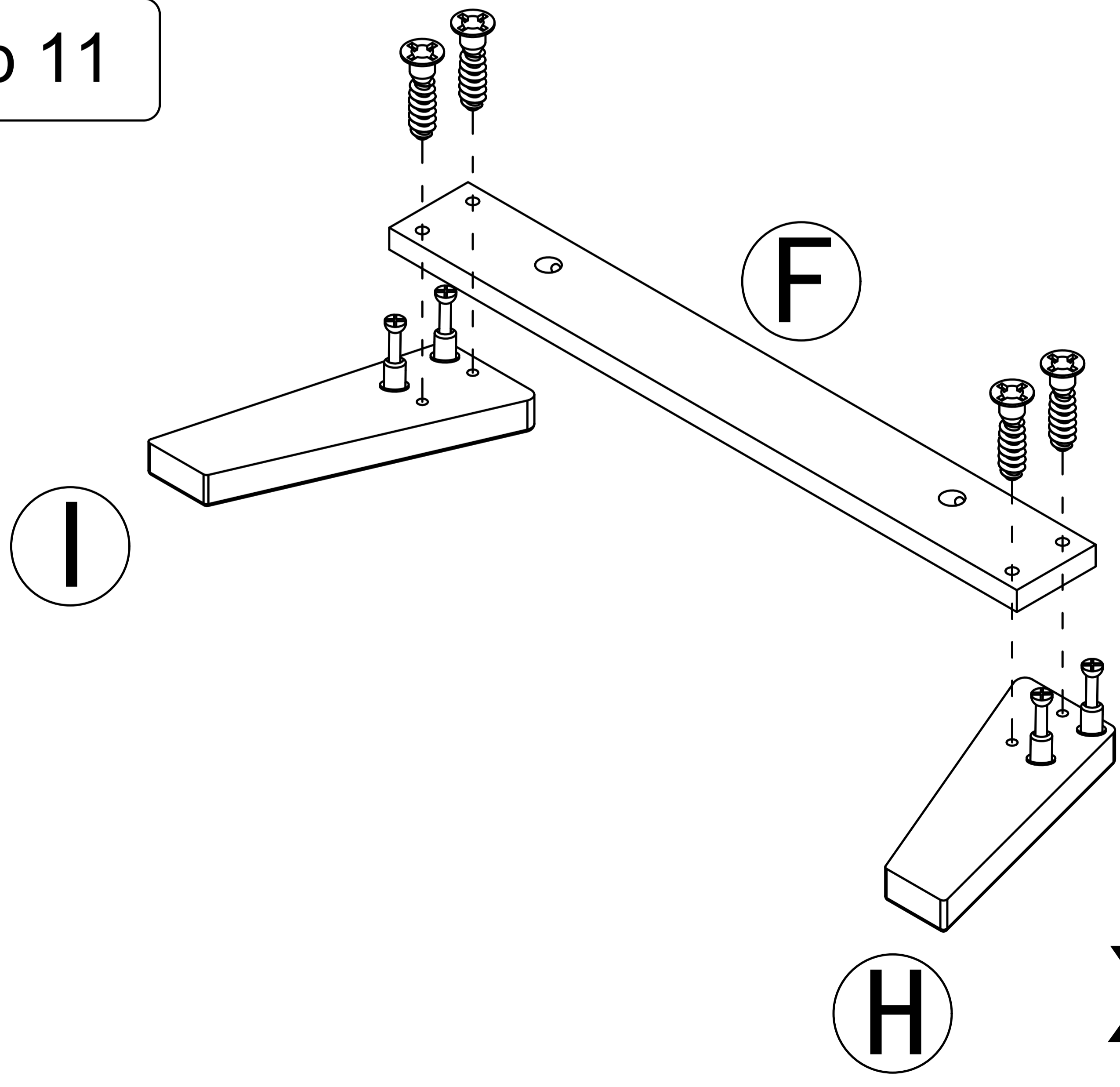
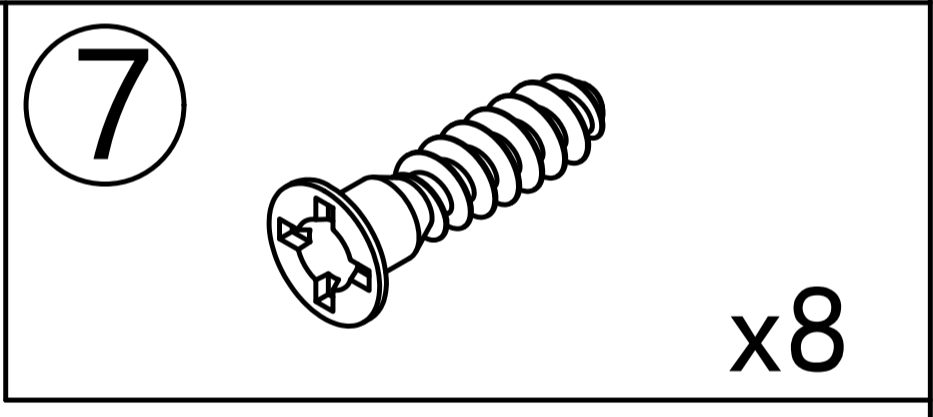
x2

Step 10



x2

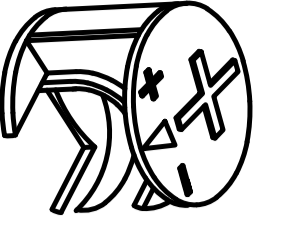
Step 11



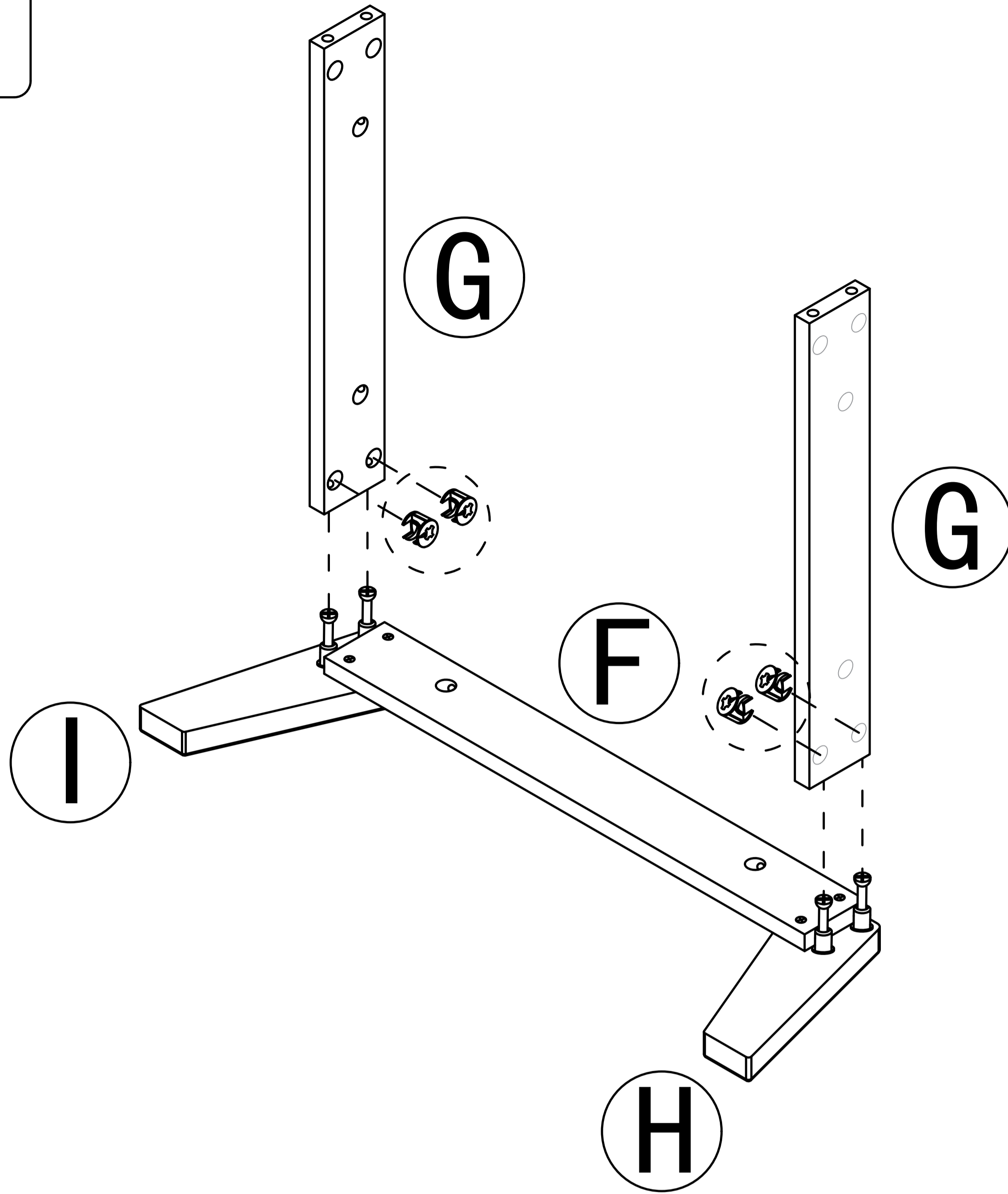
x2

Step 12

2

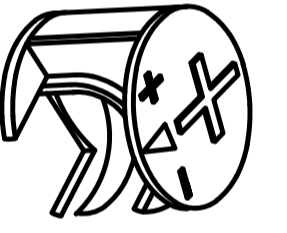


x4

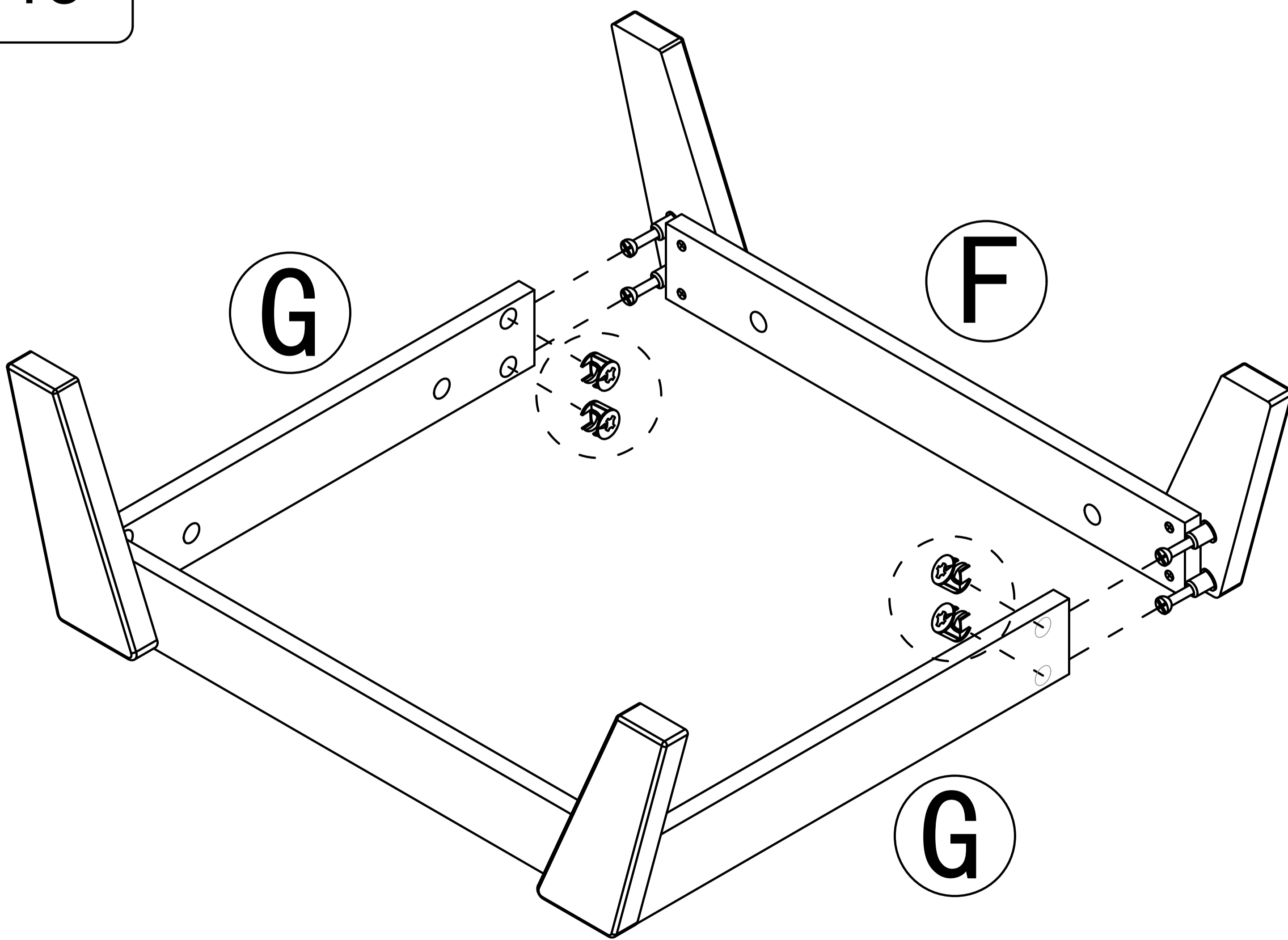


Step 13

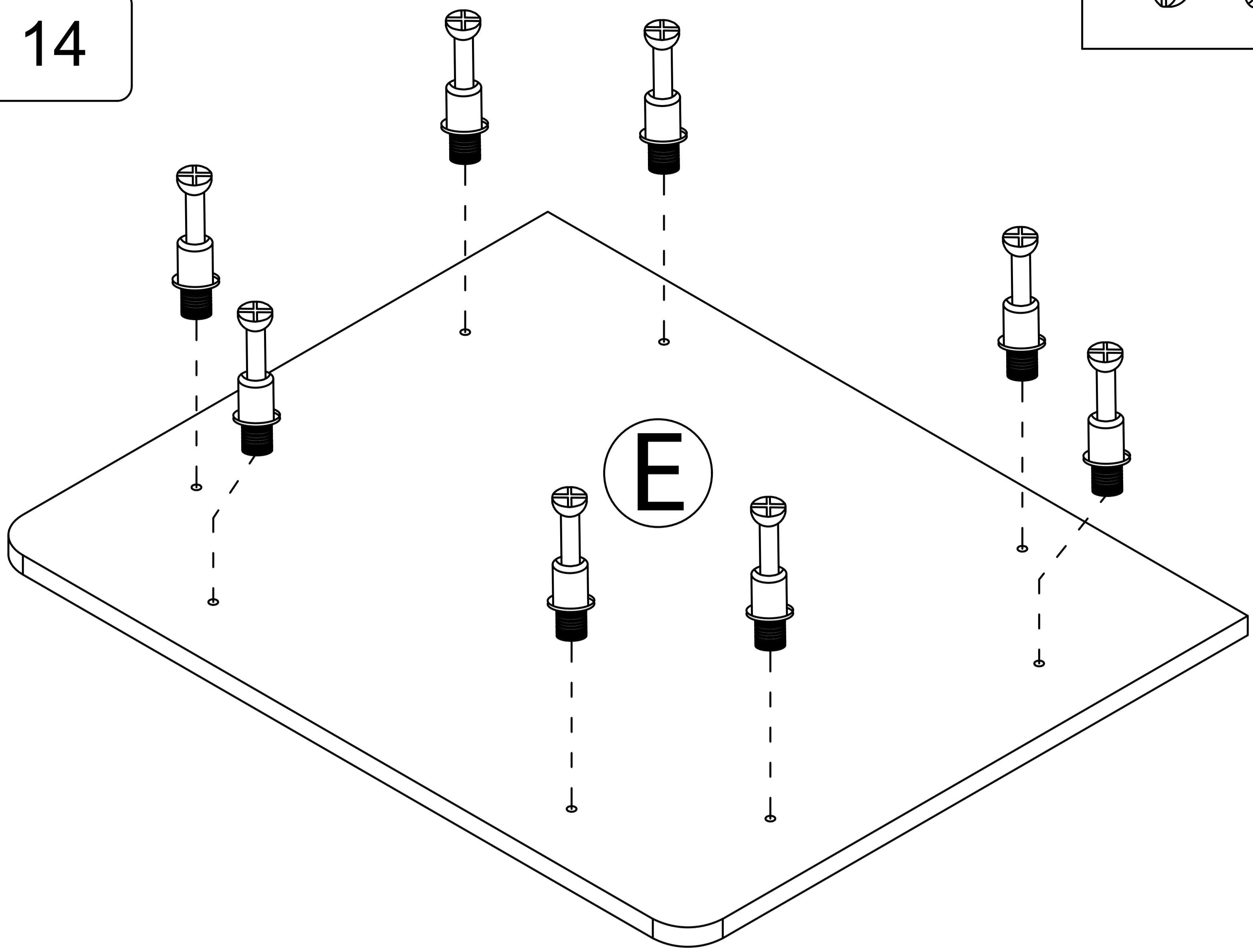
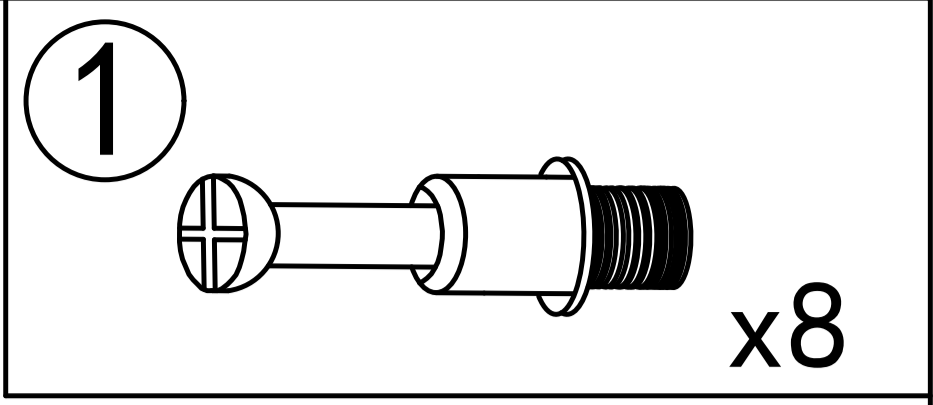
2



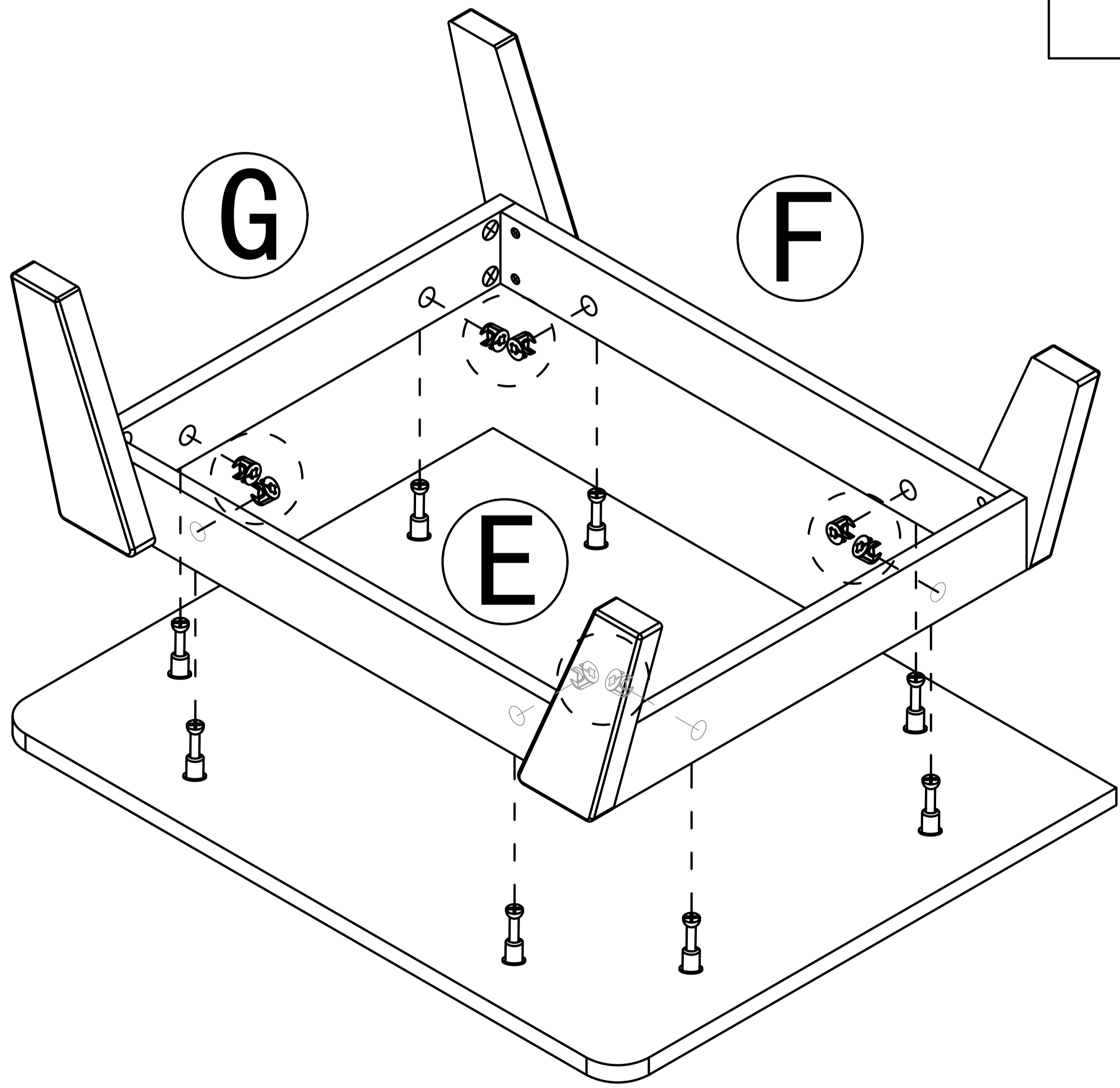
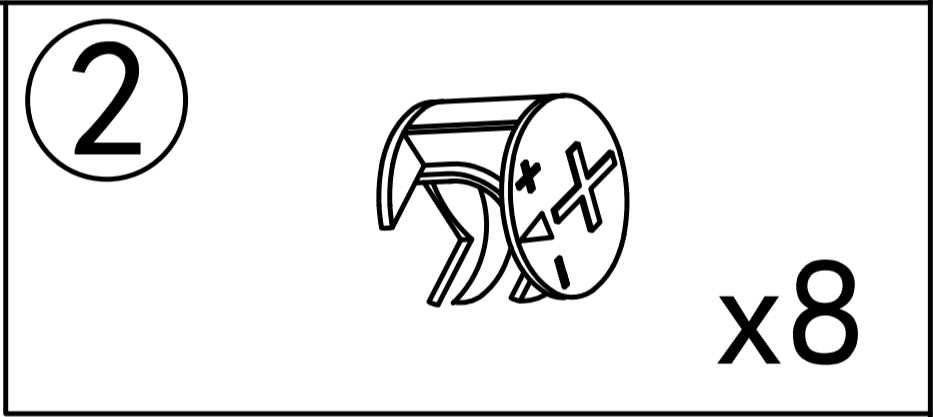
x4



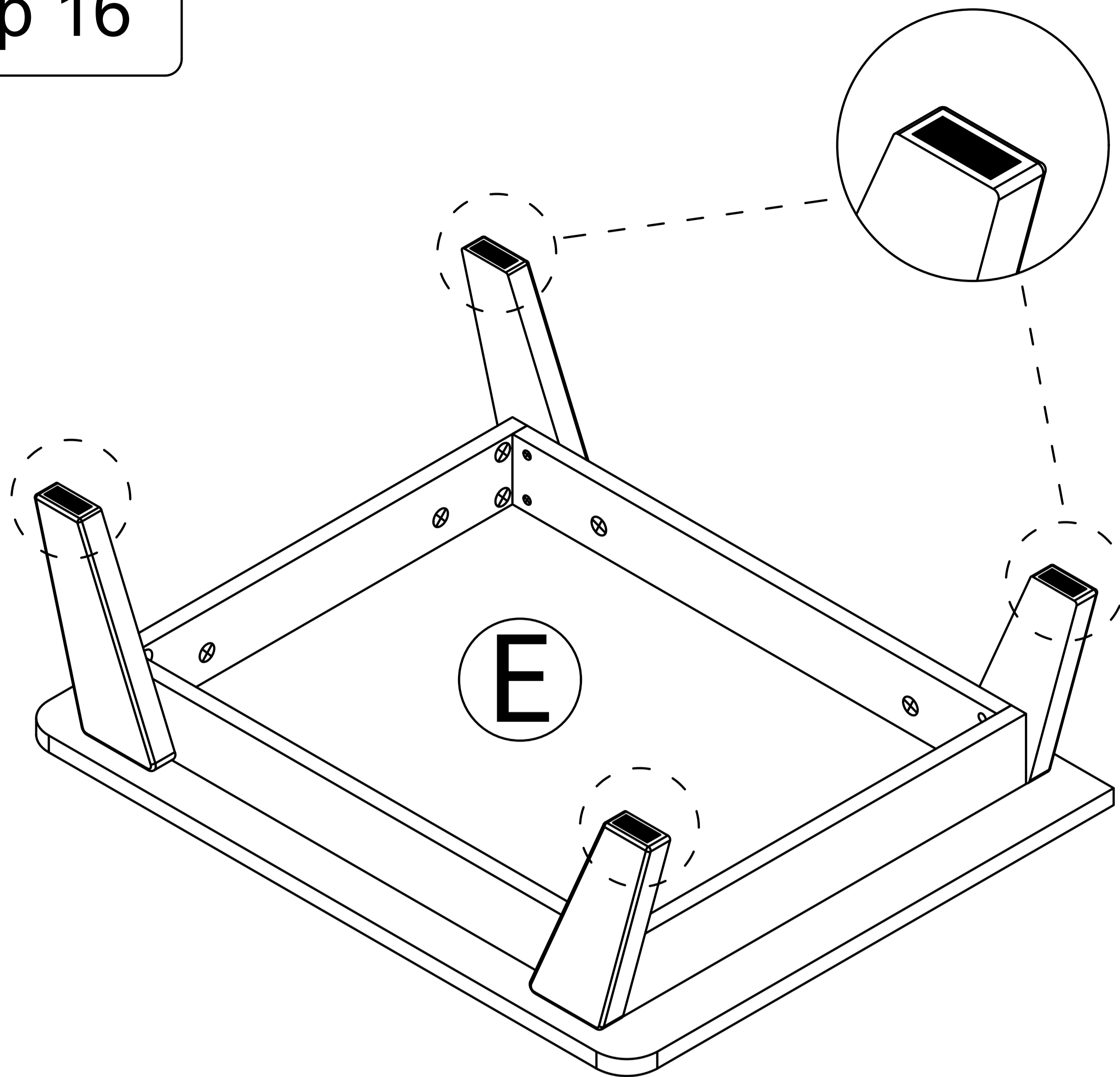
Step 14



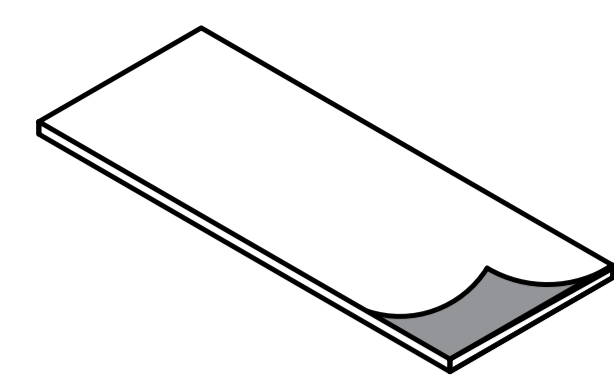
Step 15



Step 16



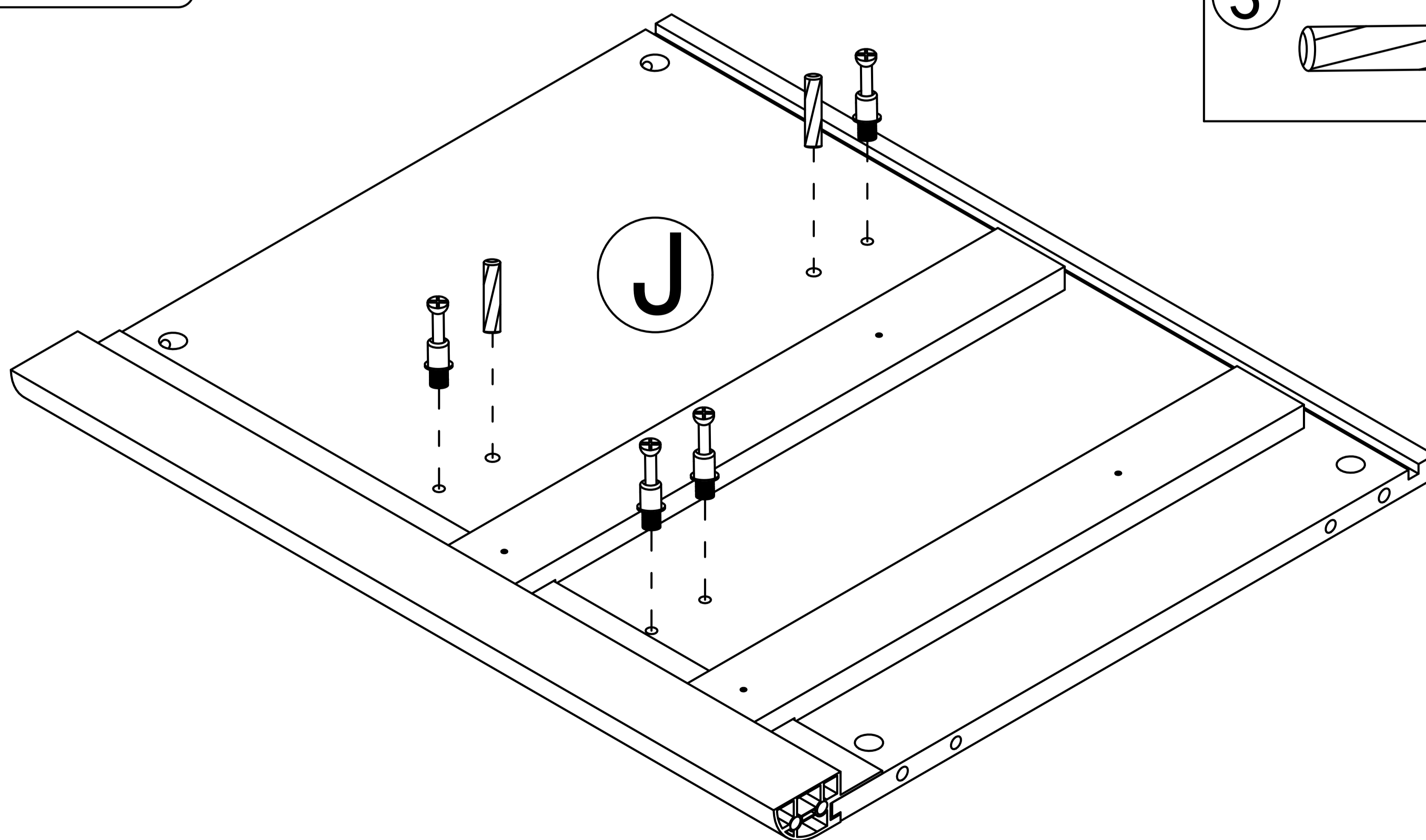
6



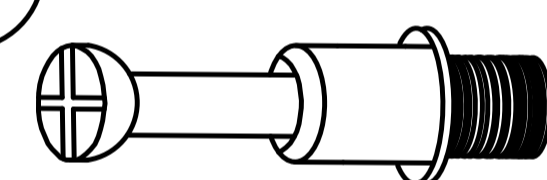
x4

Tear off release paper and stick the black foot pad on the board

Step 17



1



x4

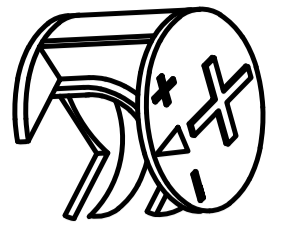
3



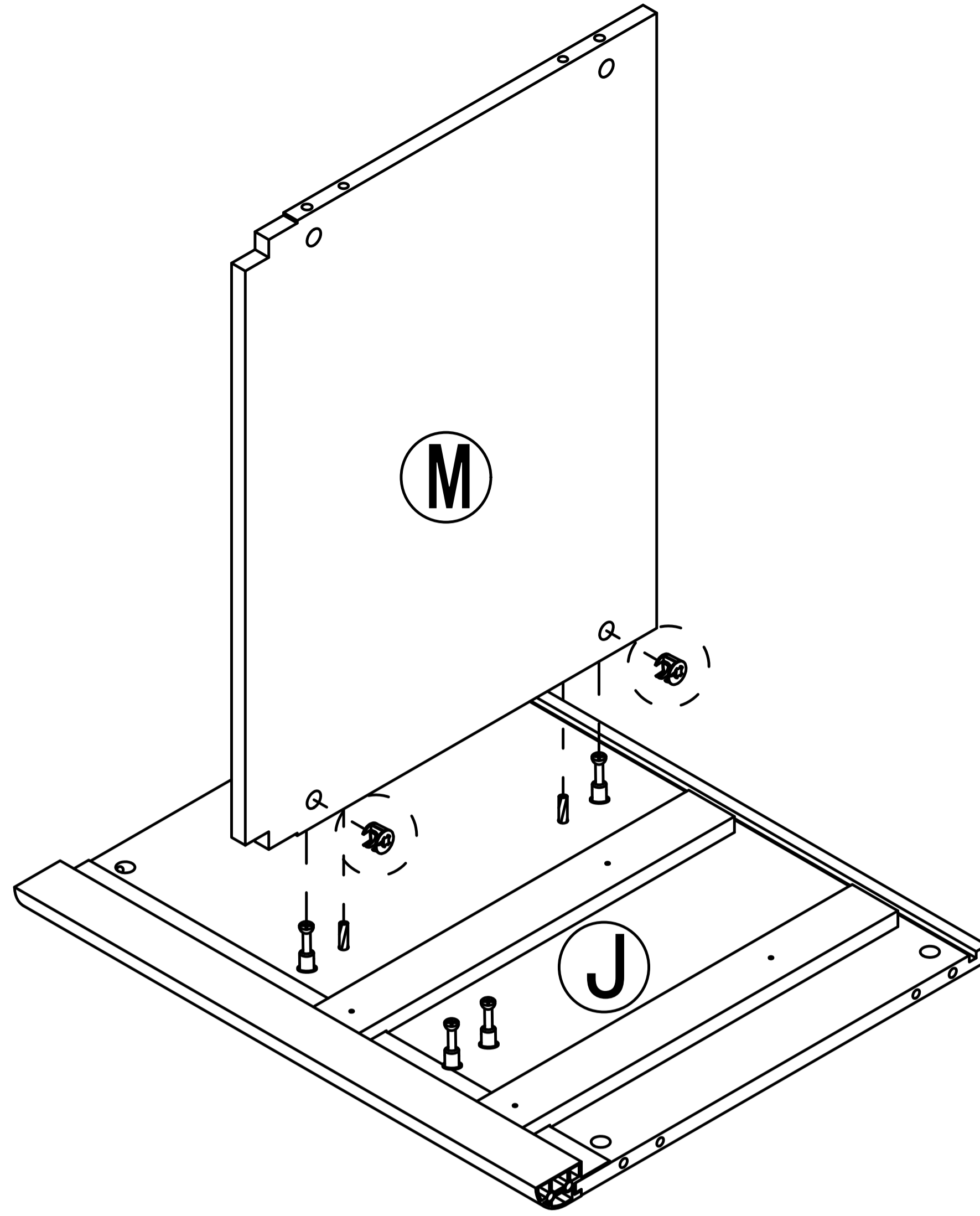
x2

Step 18

2

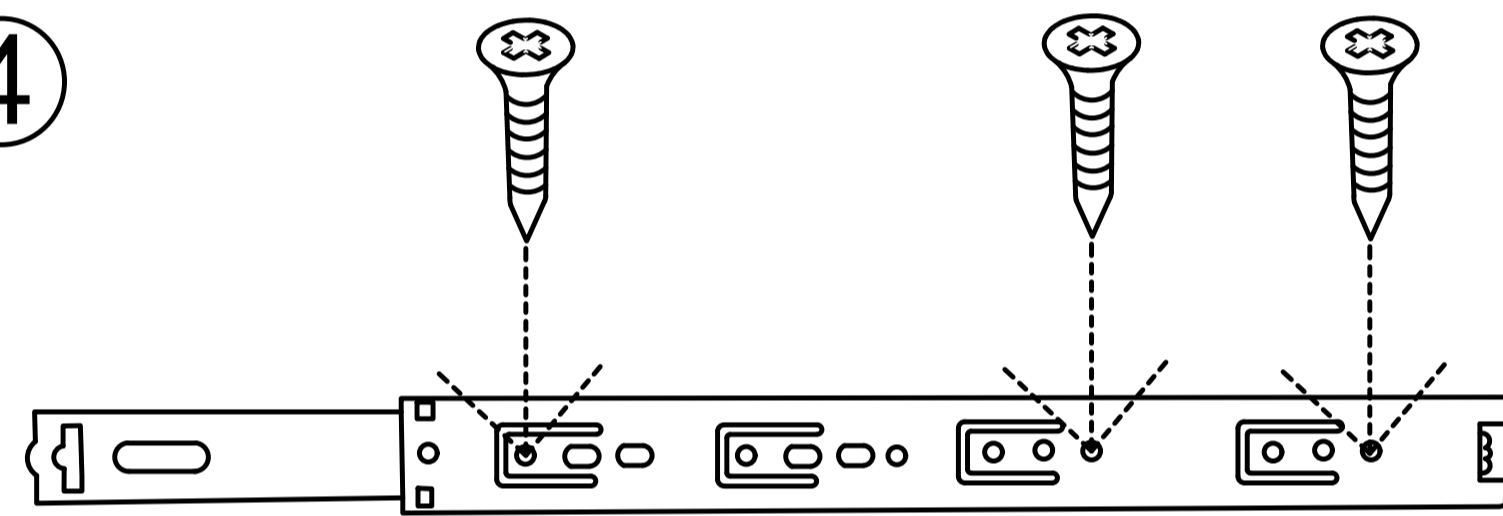


x2



Step 19

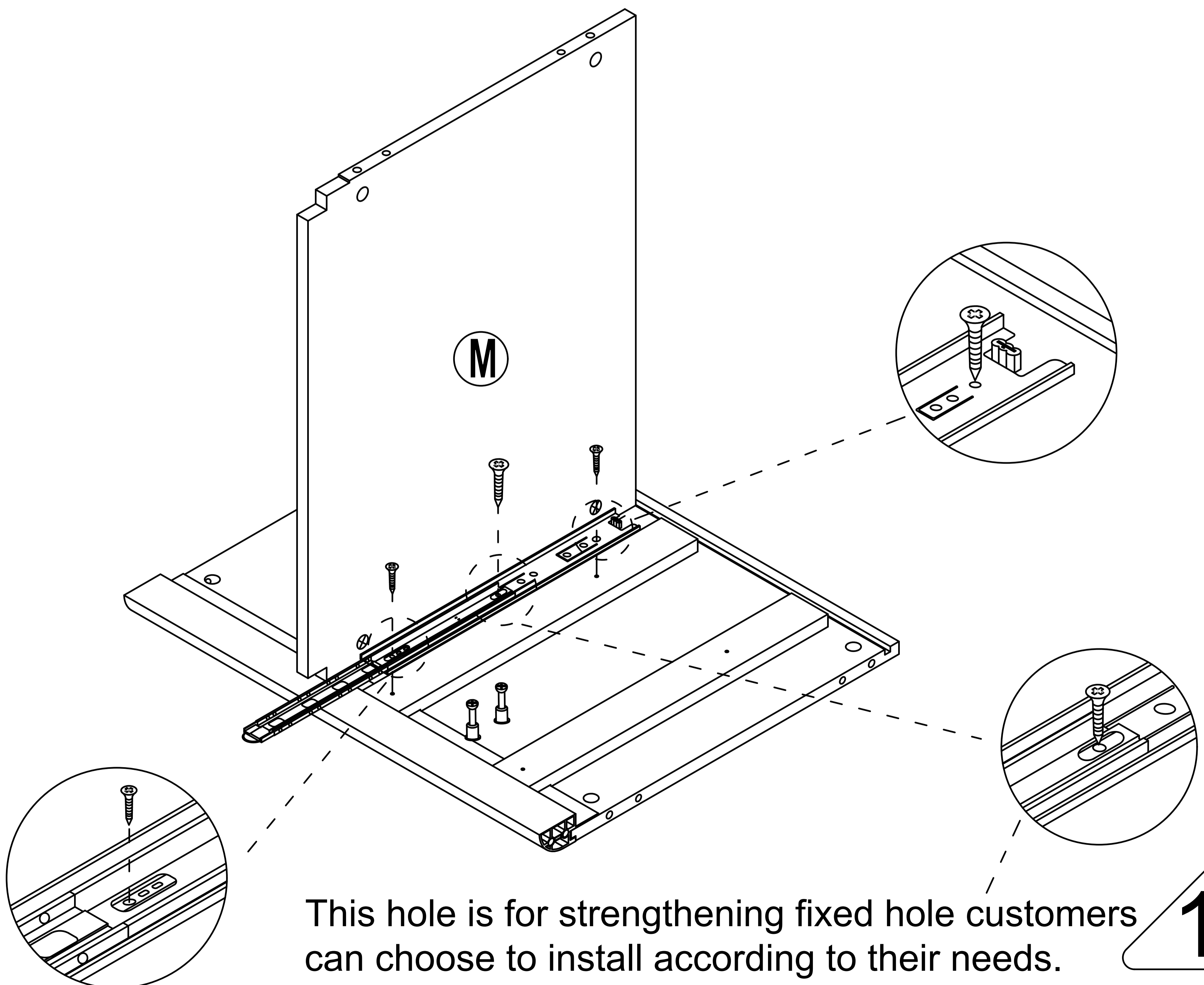
4



x1

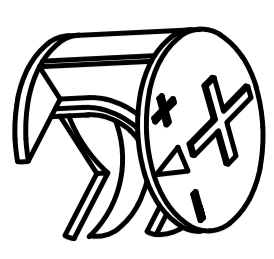


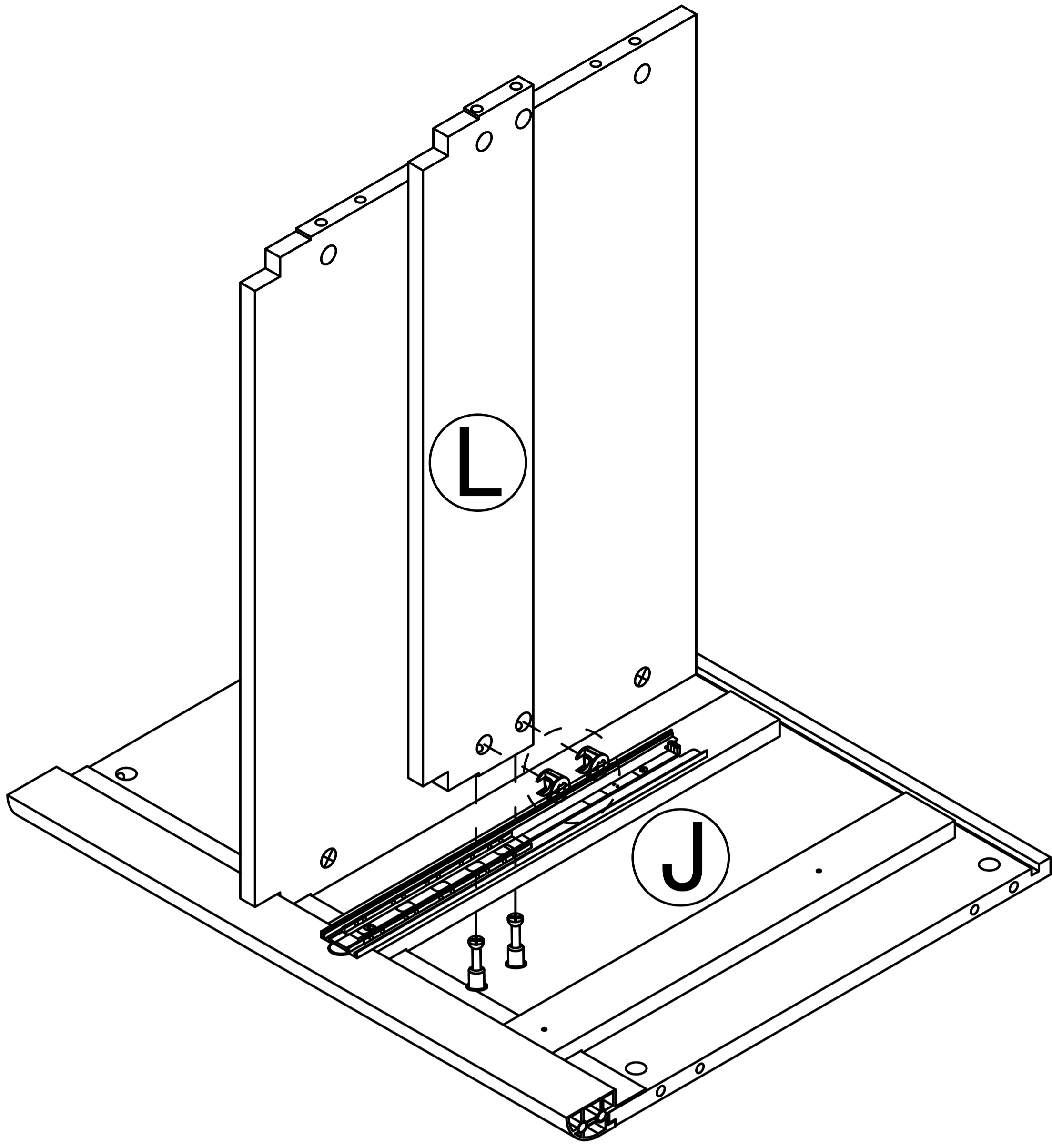
x3




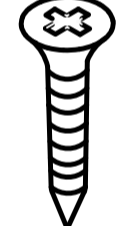
This hole is for strengthening fixed hole customers can choose to install according to their needs.

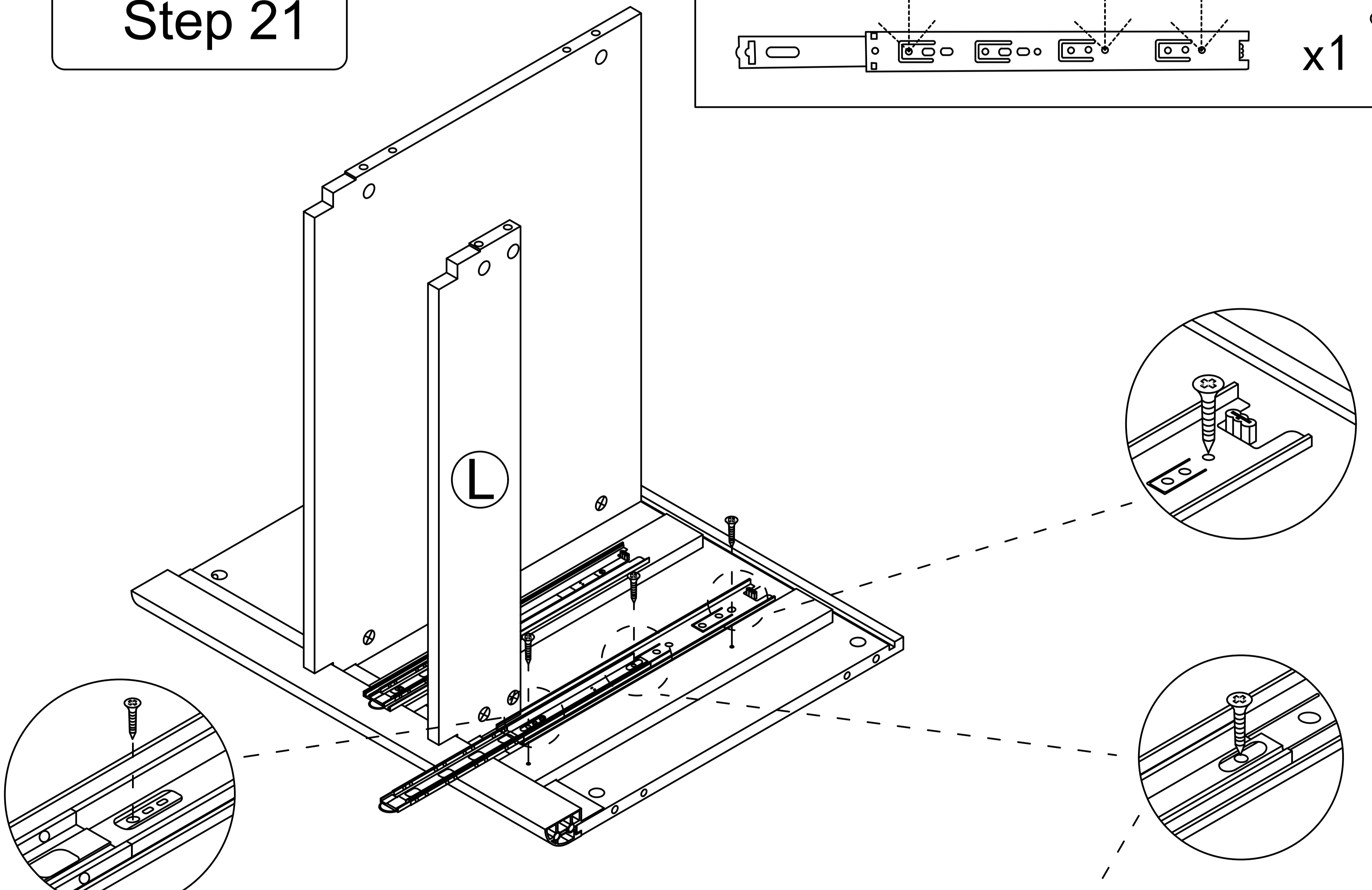
Step 20

2  x2



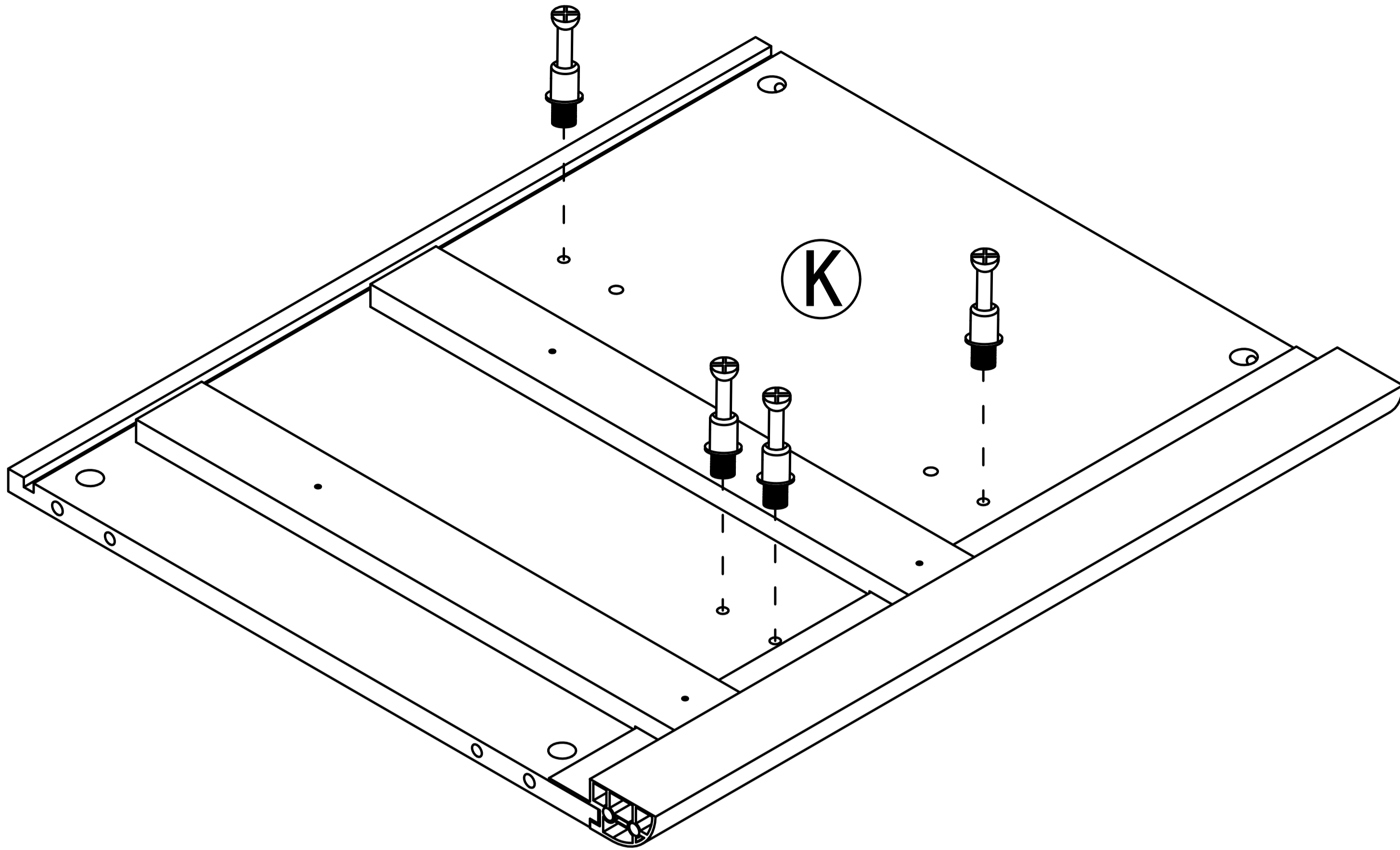
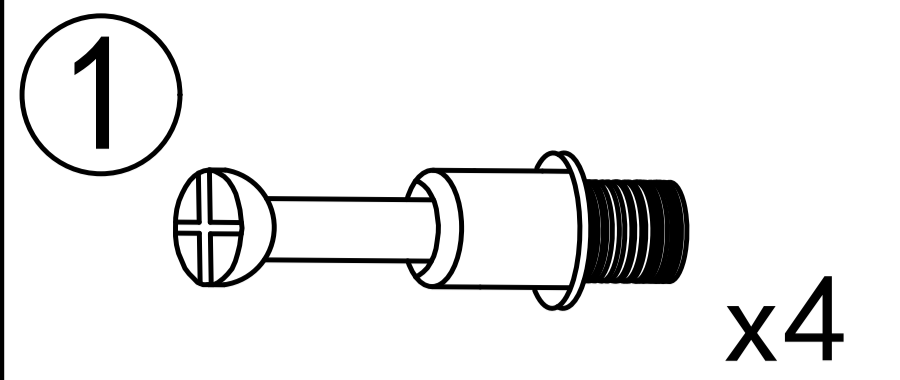
Step 21

4  x1  x3

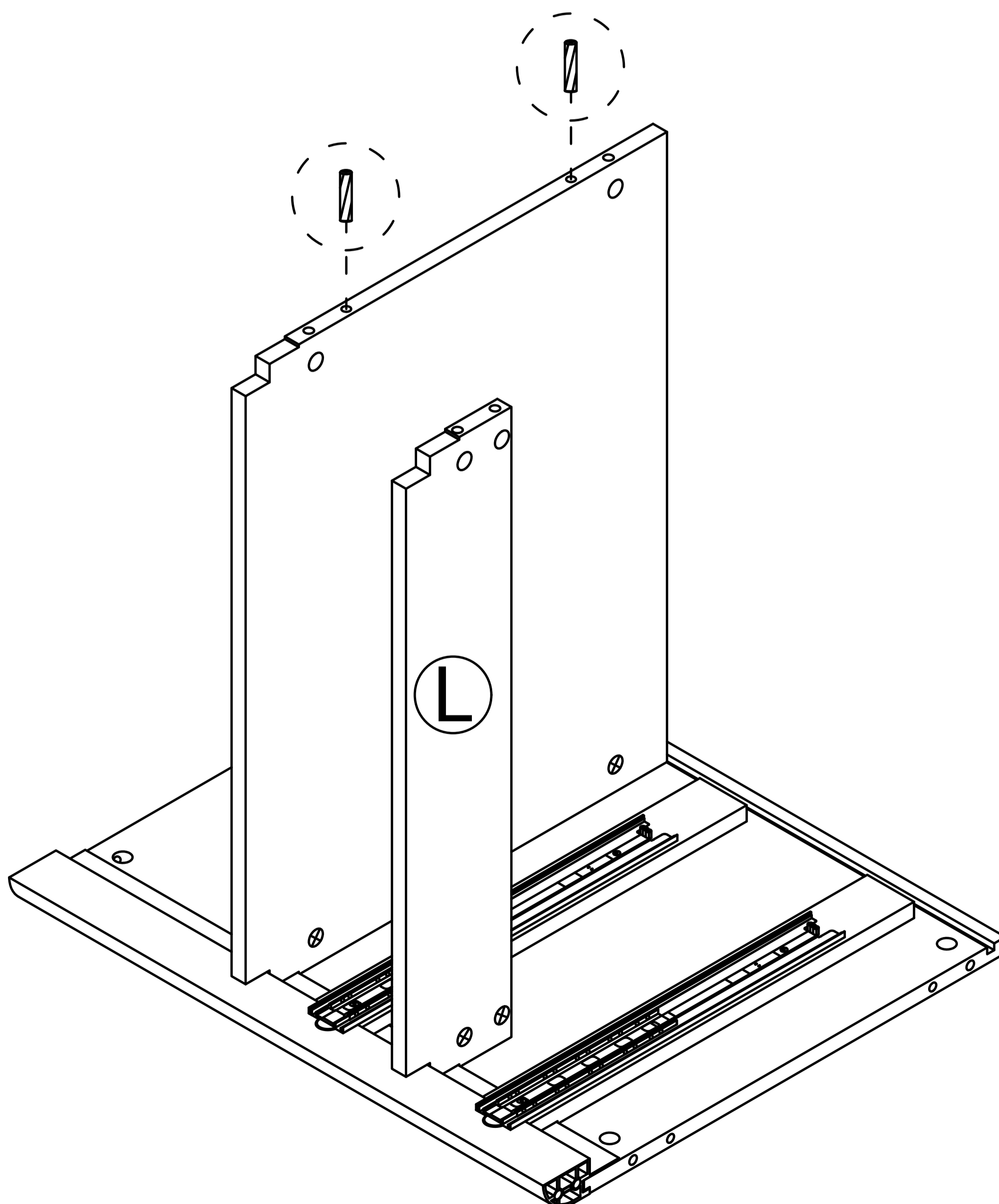
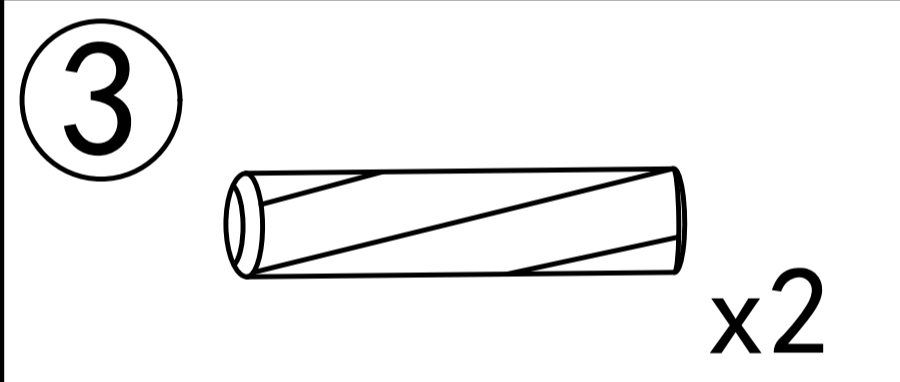


This hole is for strengthening fixed hole customers can choose to install according to their needs.

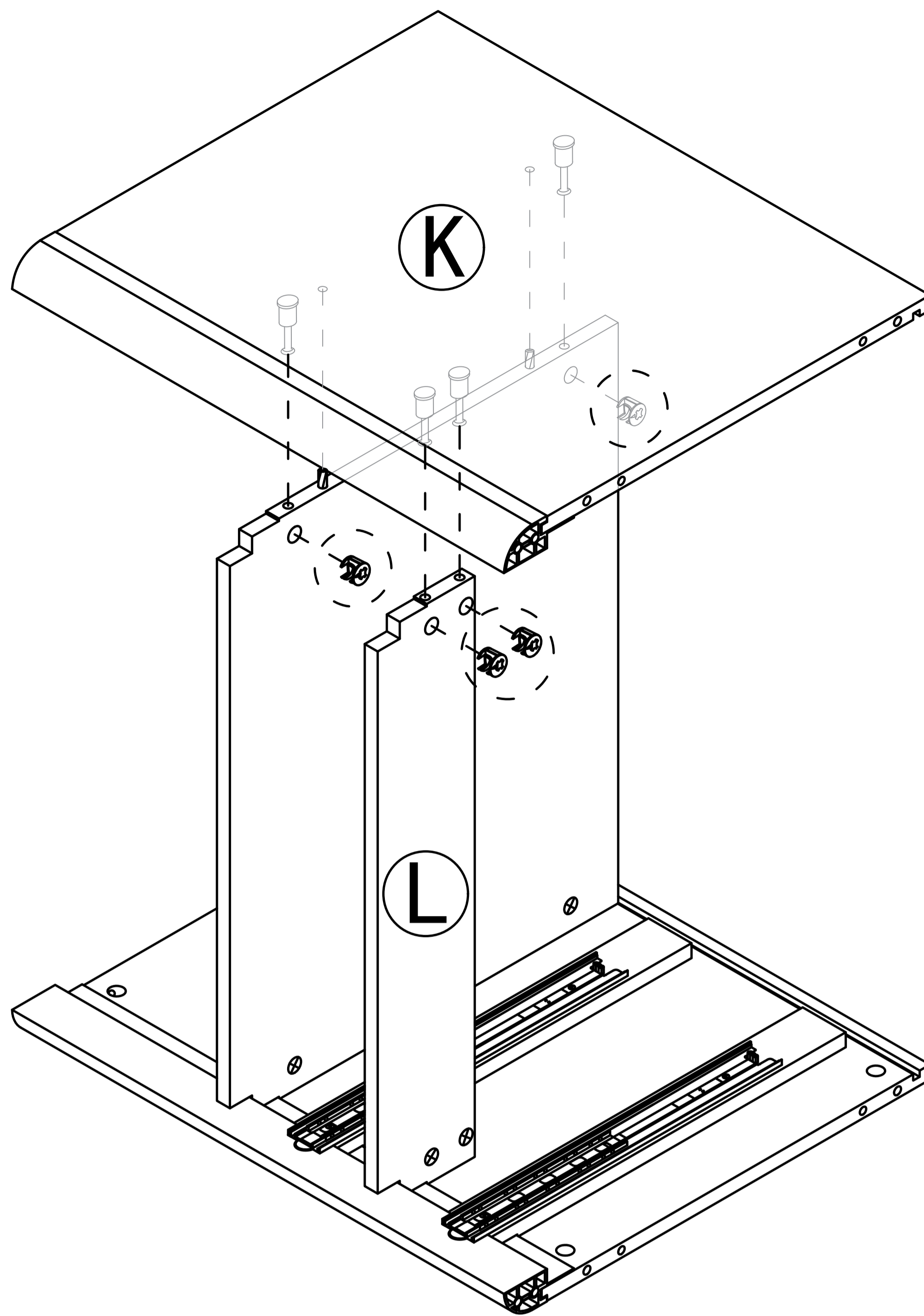
Step 22



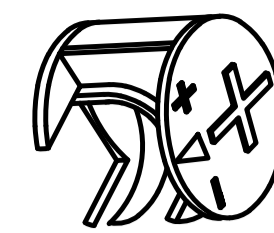
Step 23



Step 24

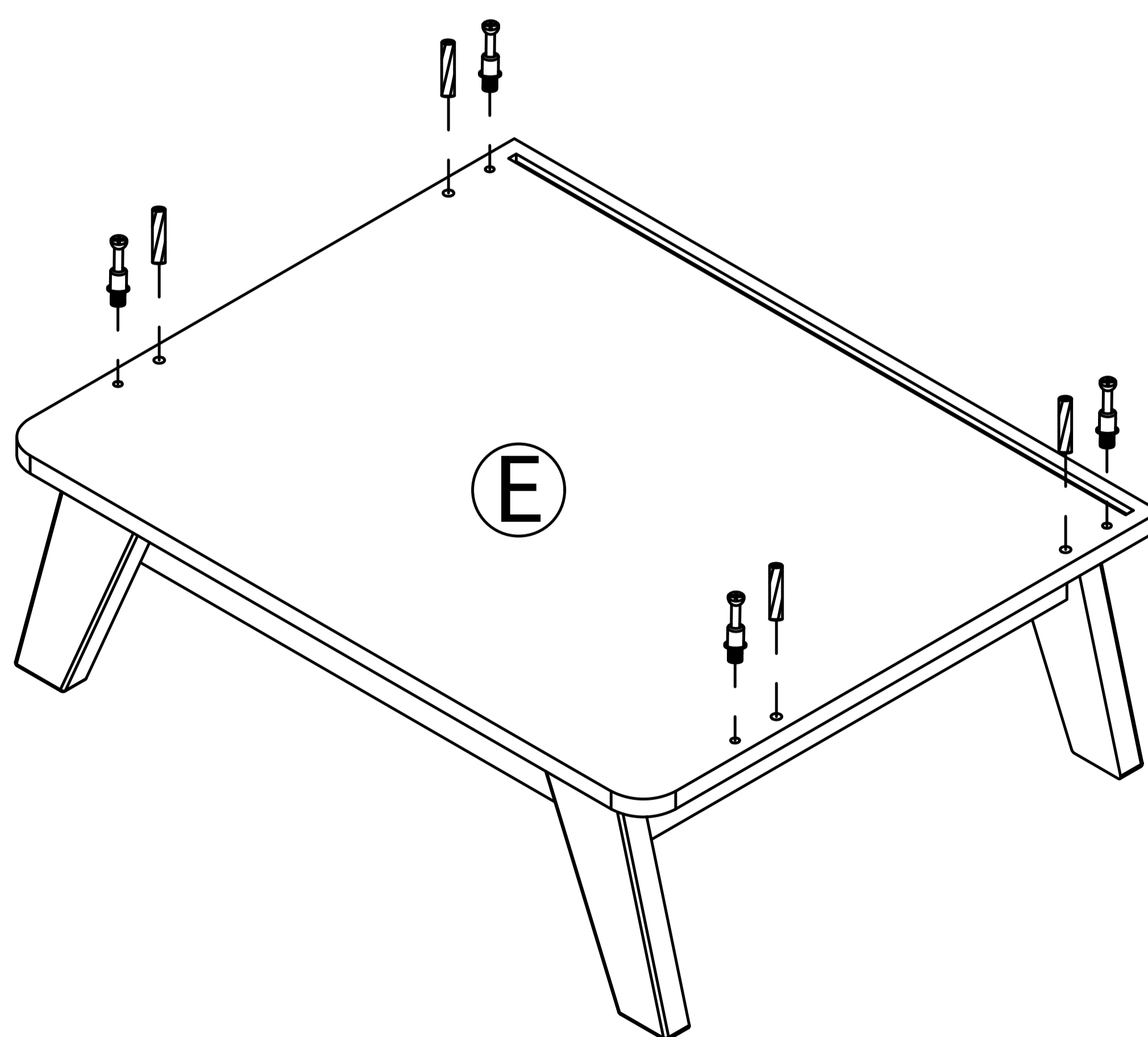


2

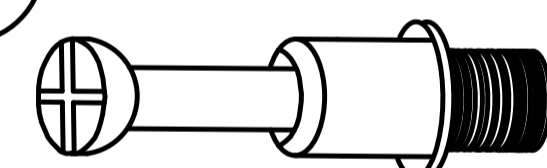


x4

Step 25



1



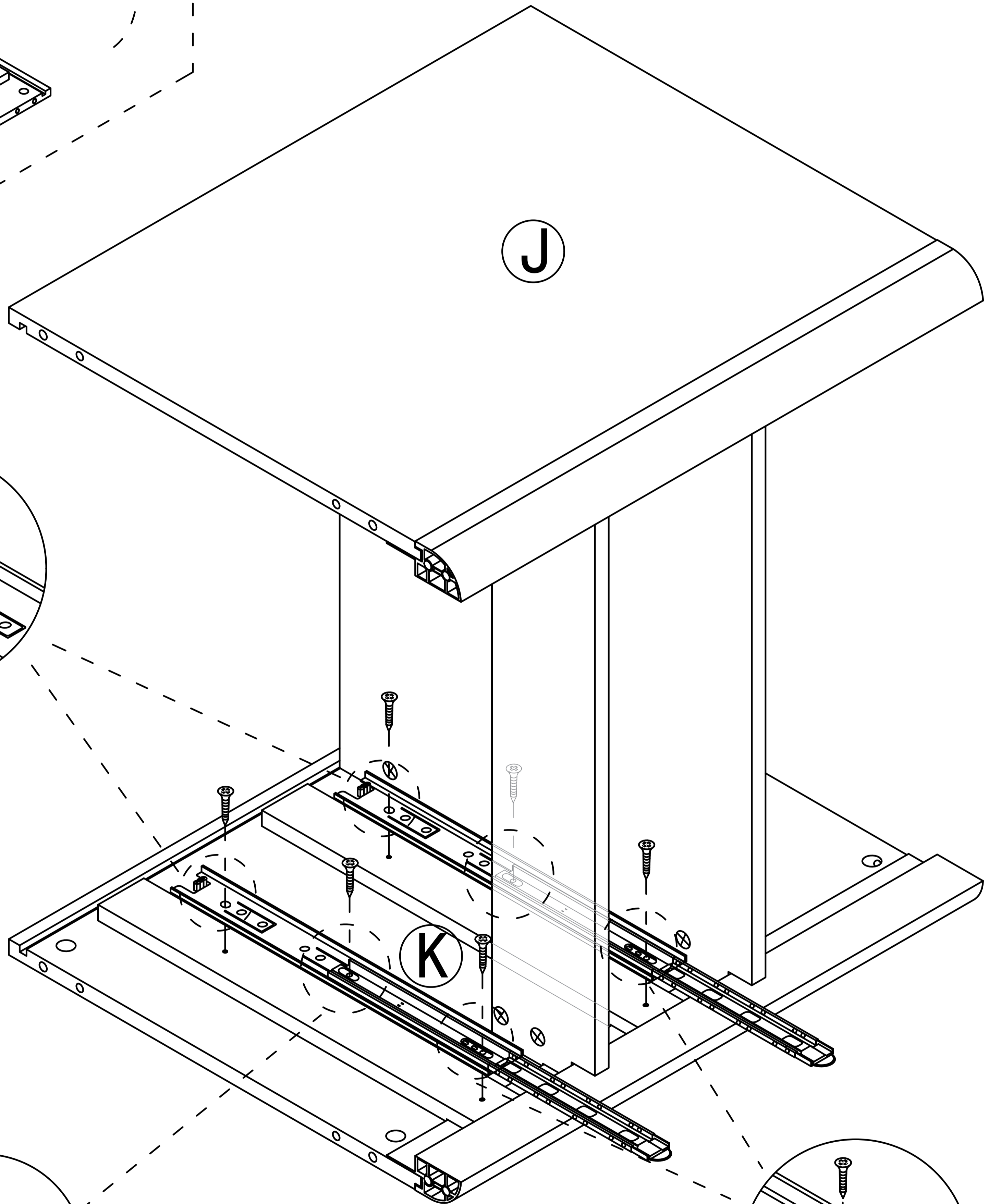
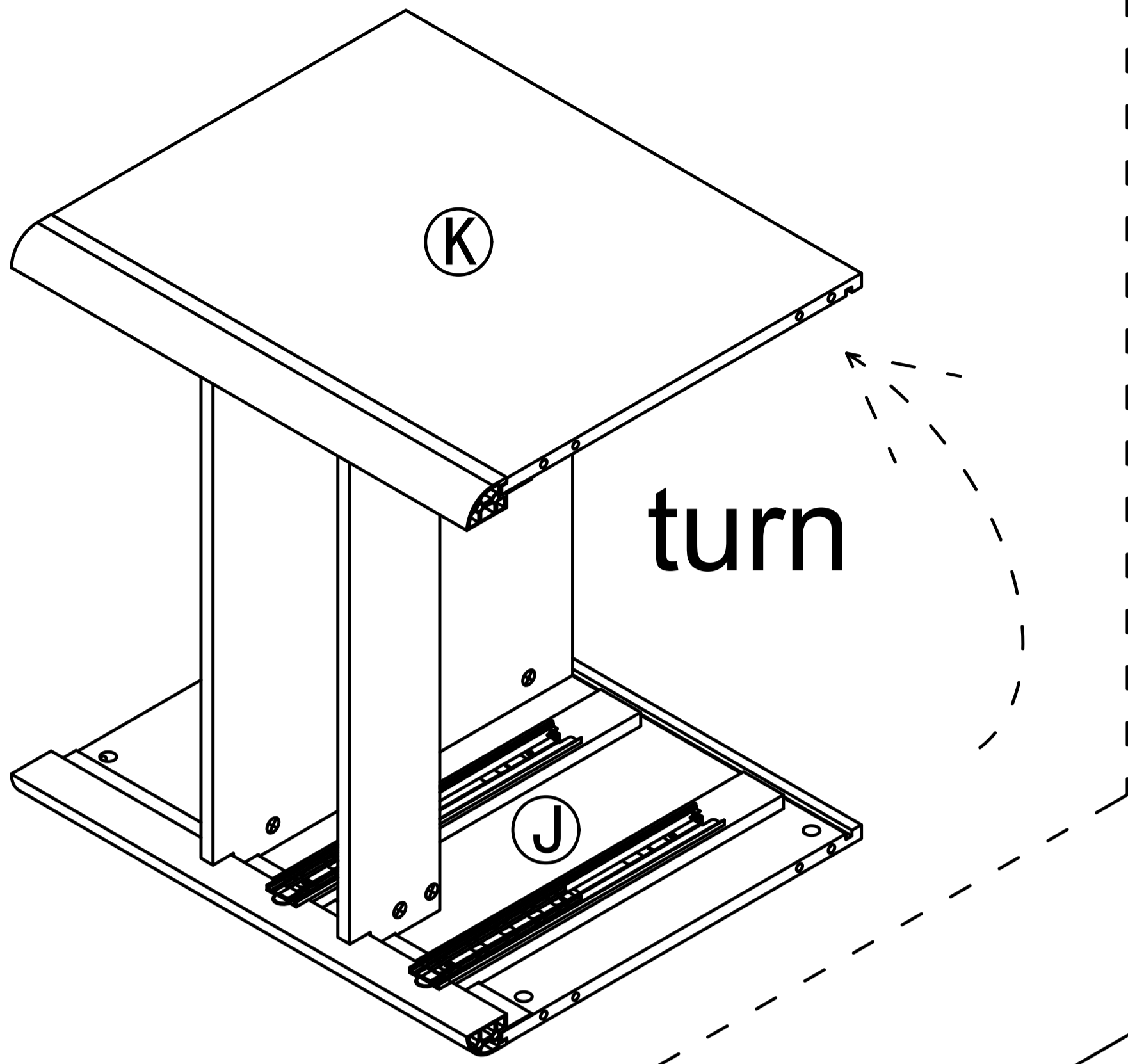
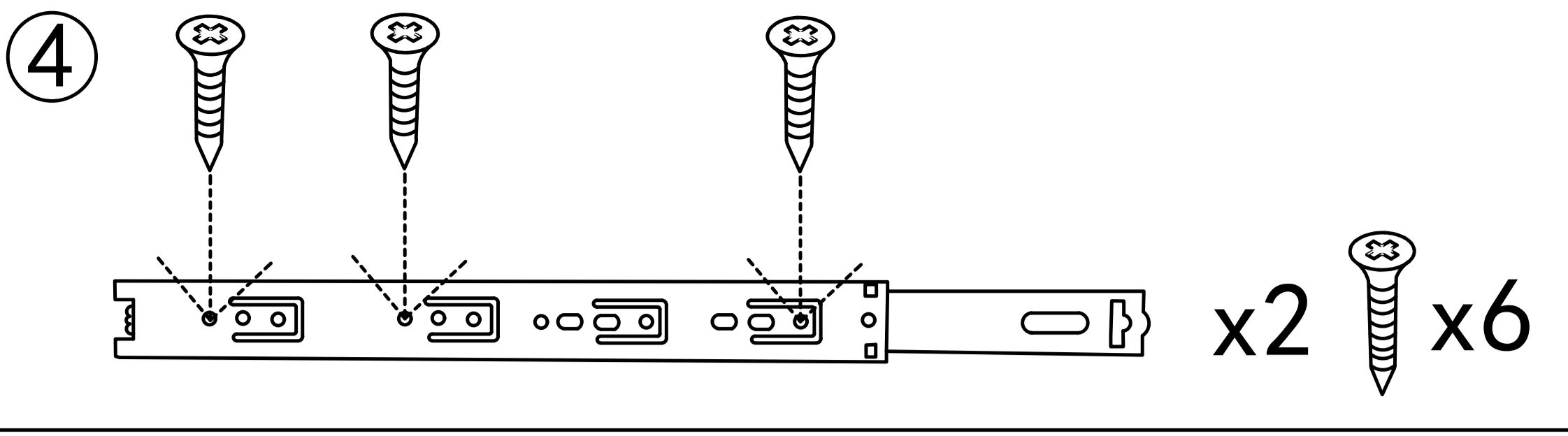
x4

3



x4

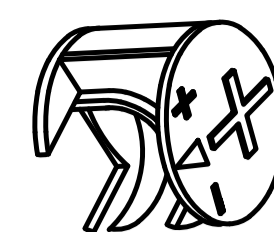
Step 26



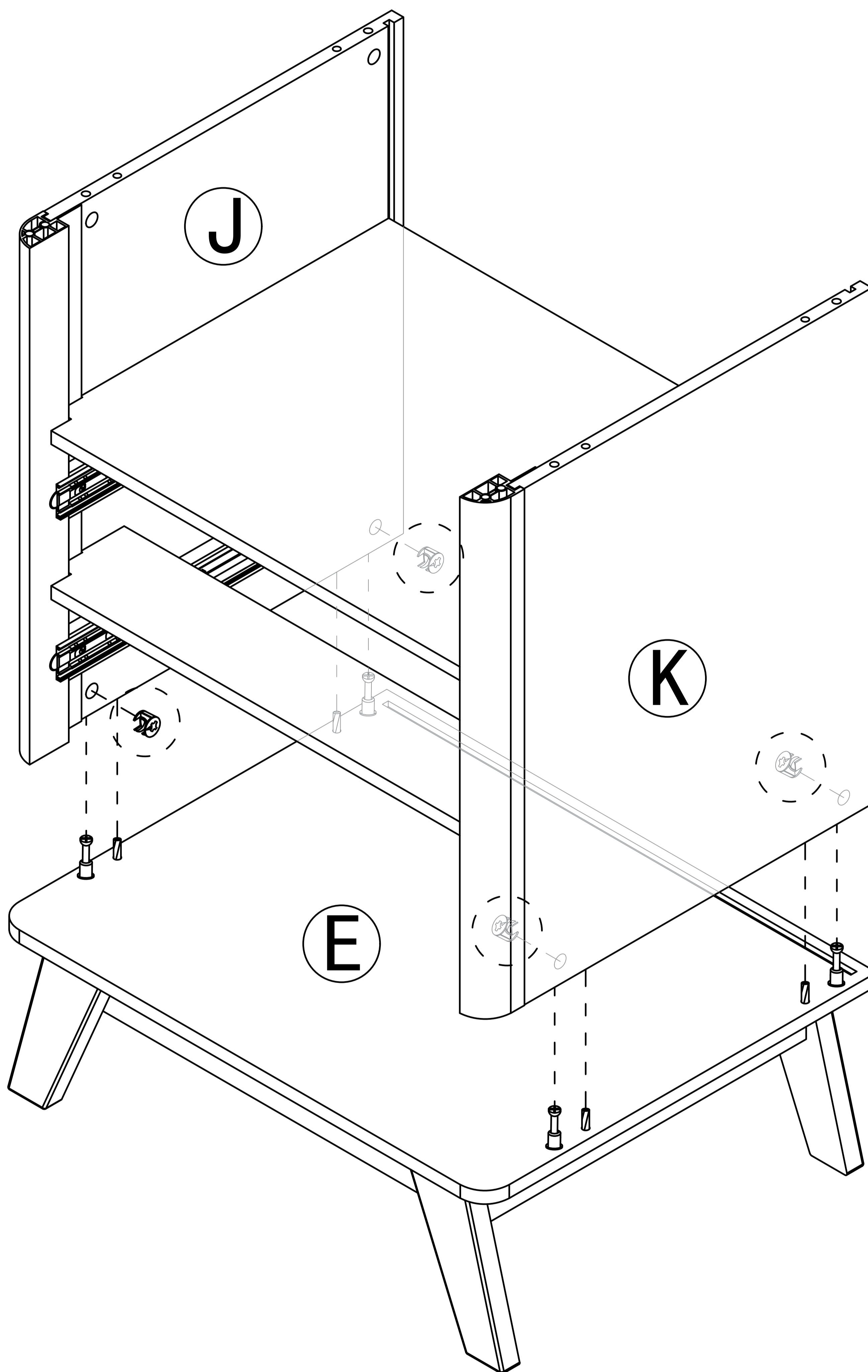
This hole is for strengthening fixed hole customers can choose to install according to their needs.

Step 27

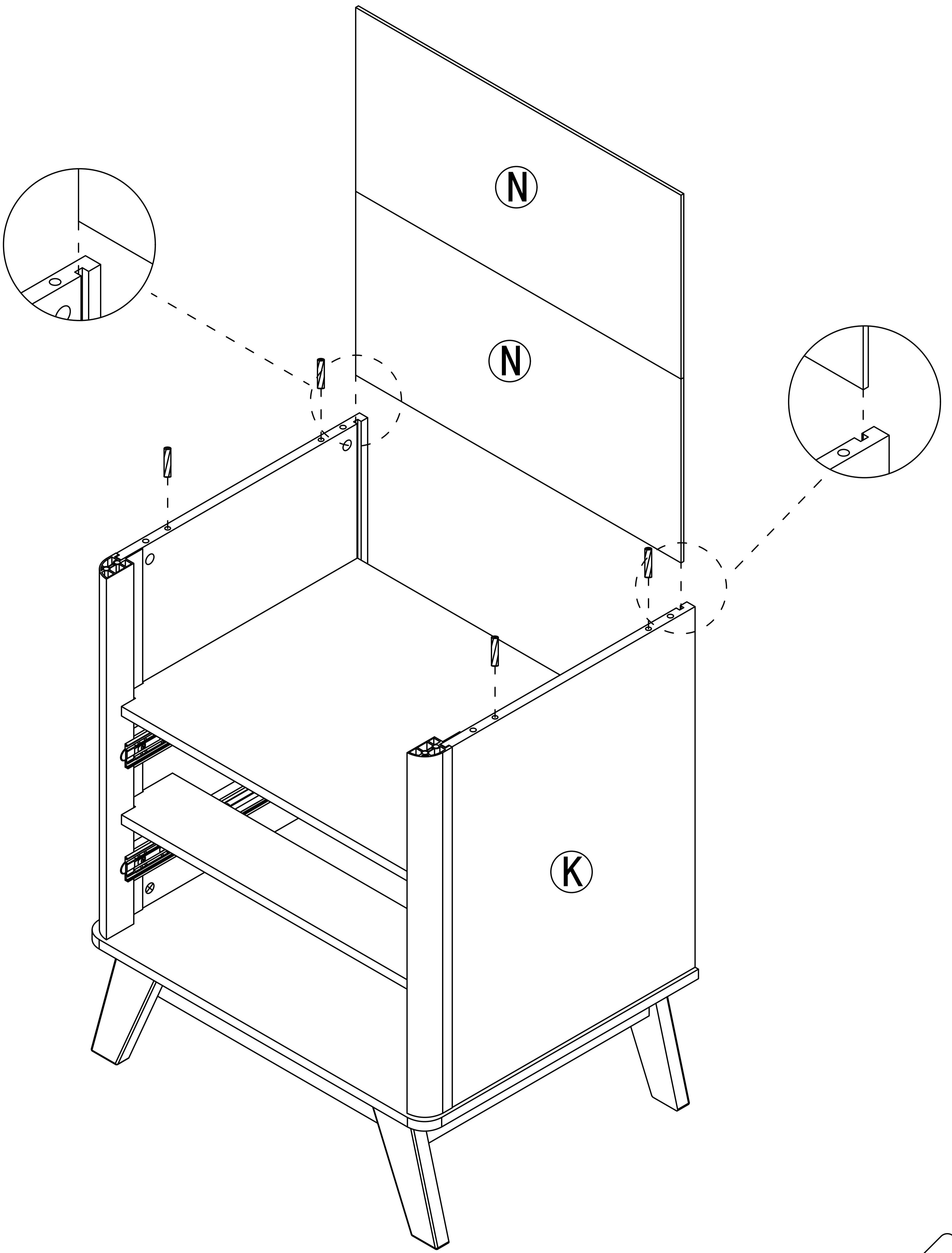
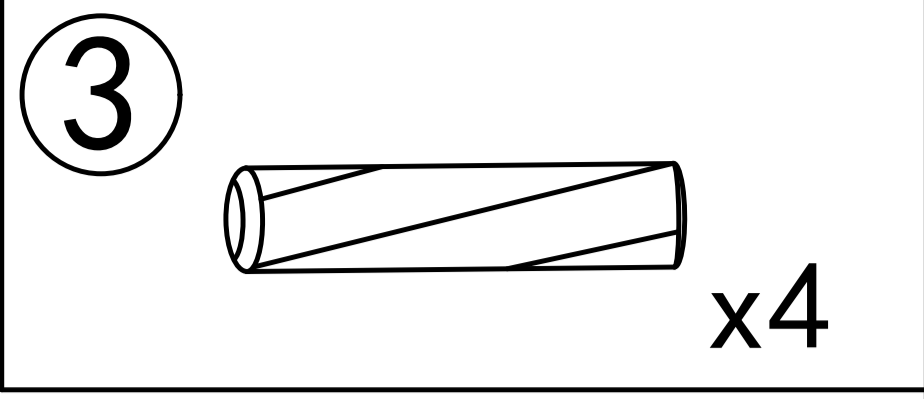
2



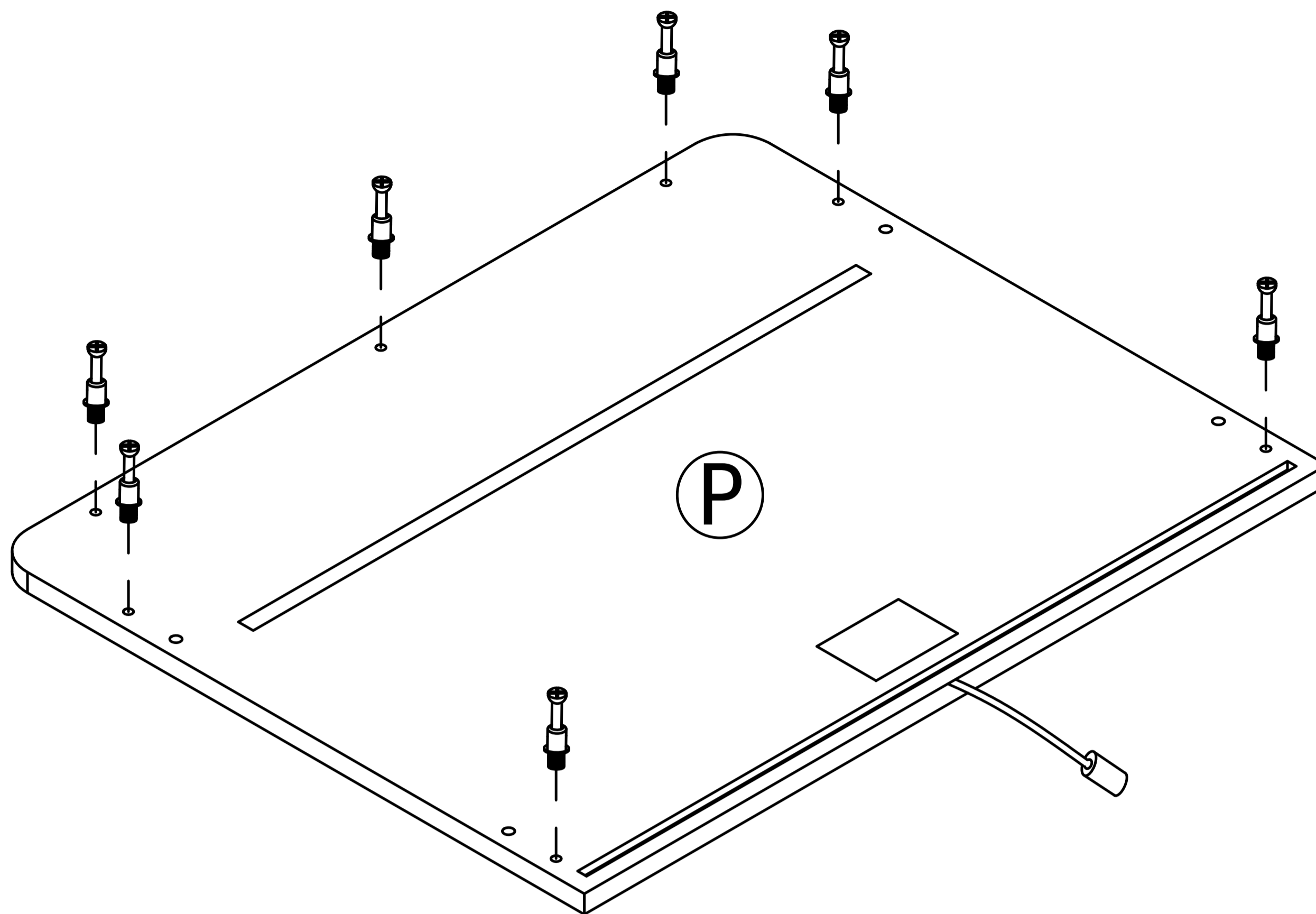
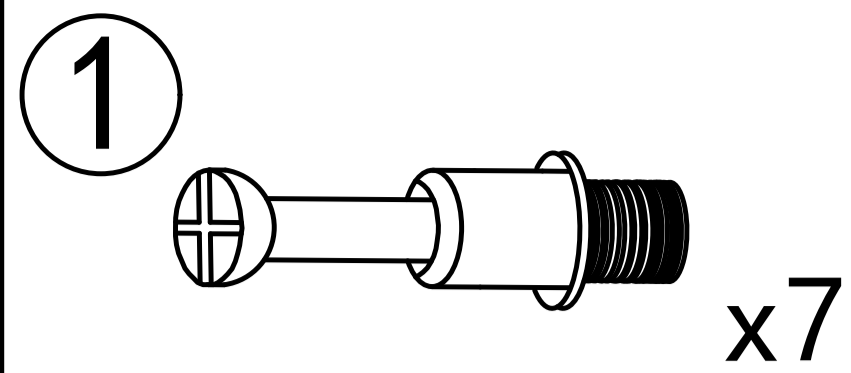
x4



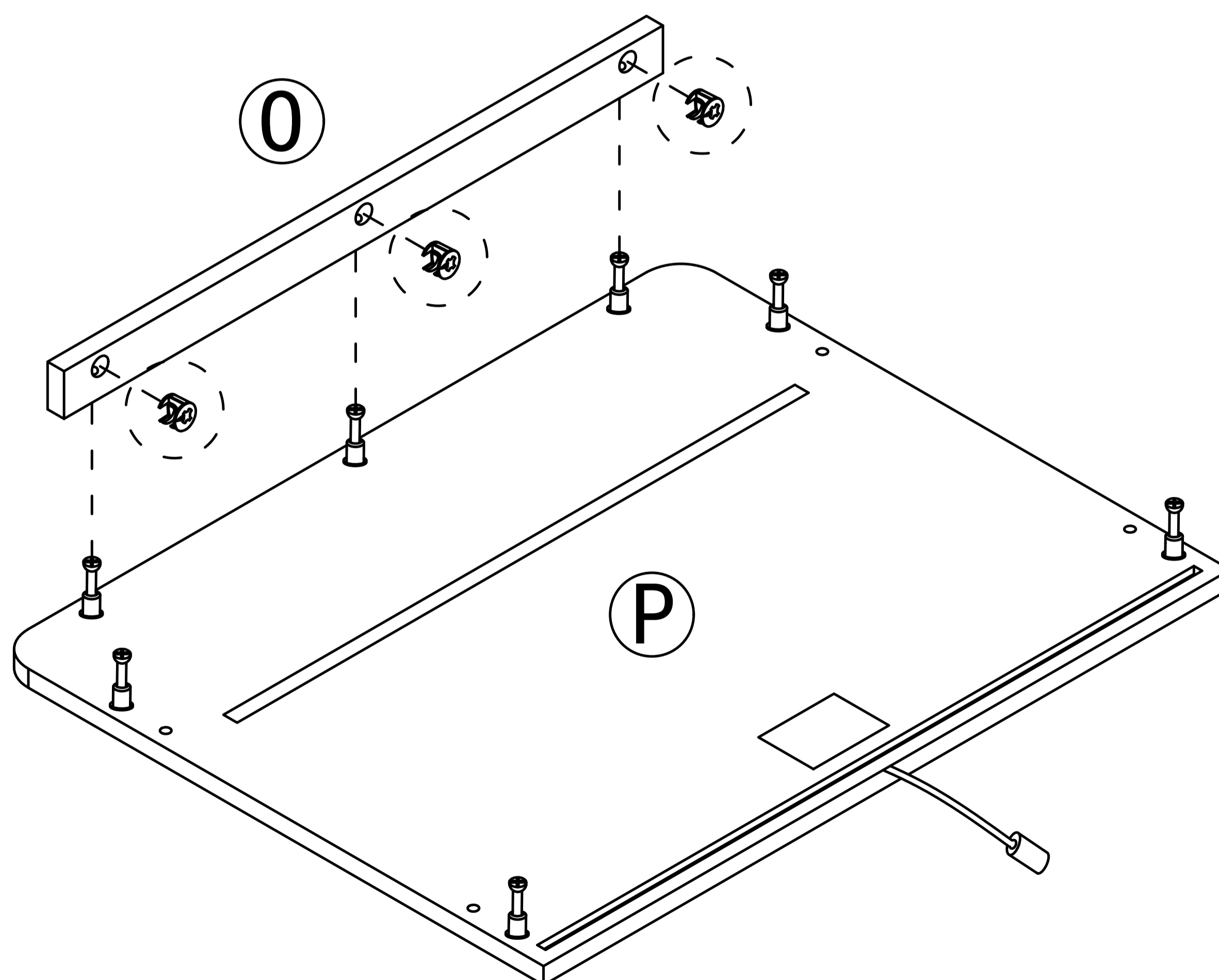
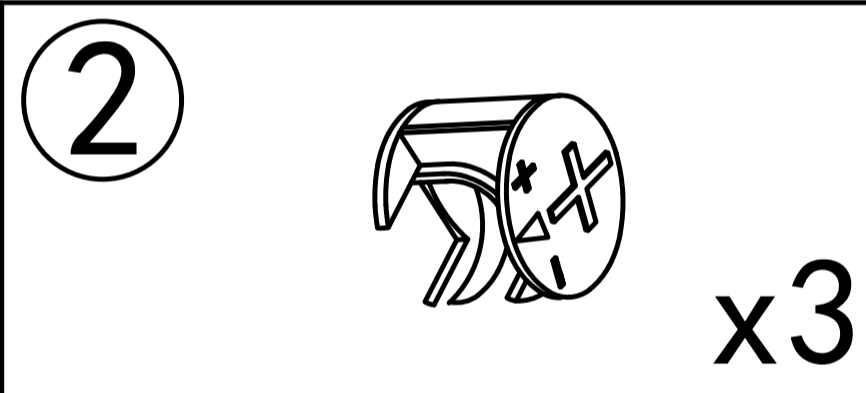
Step 28



Step 29

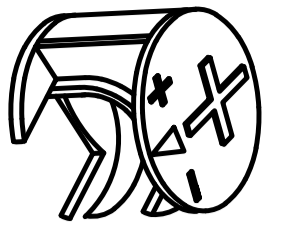


Step 30

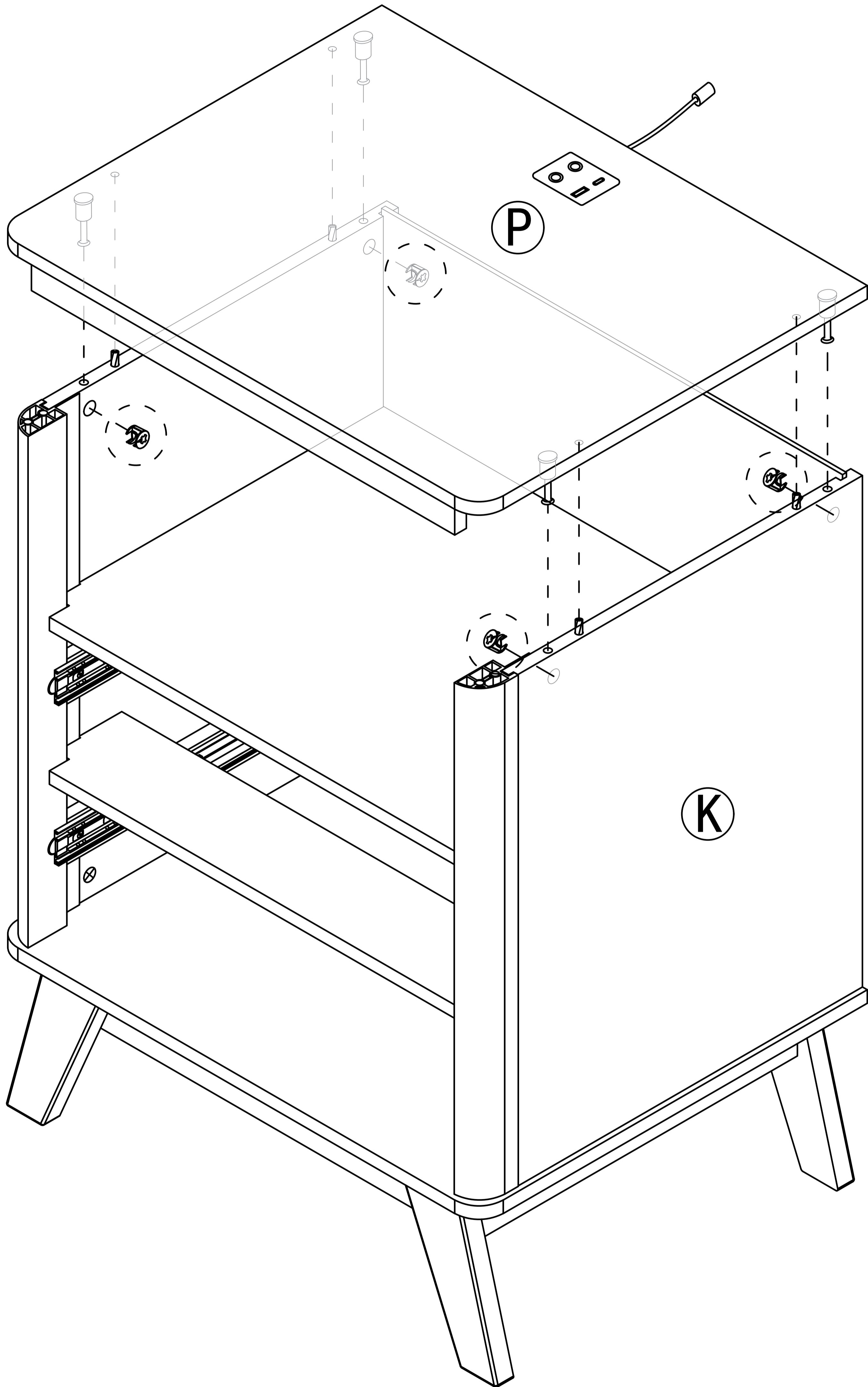


Step 31

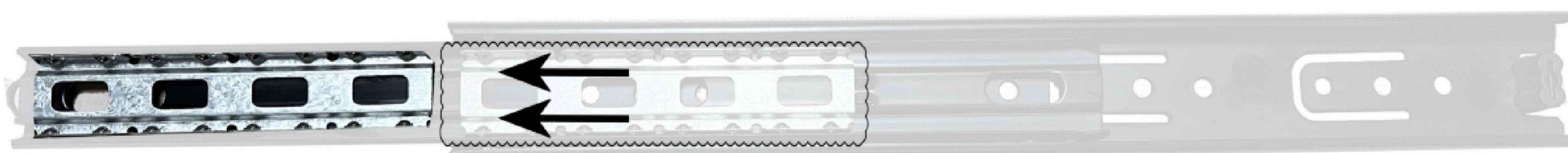
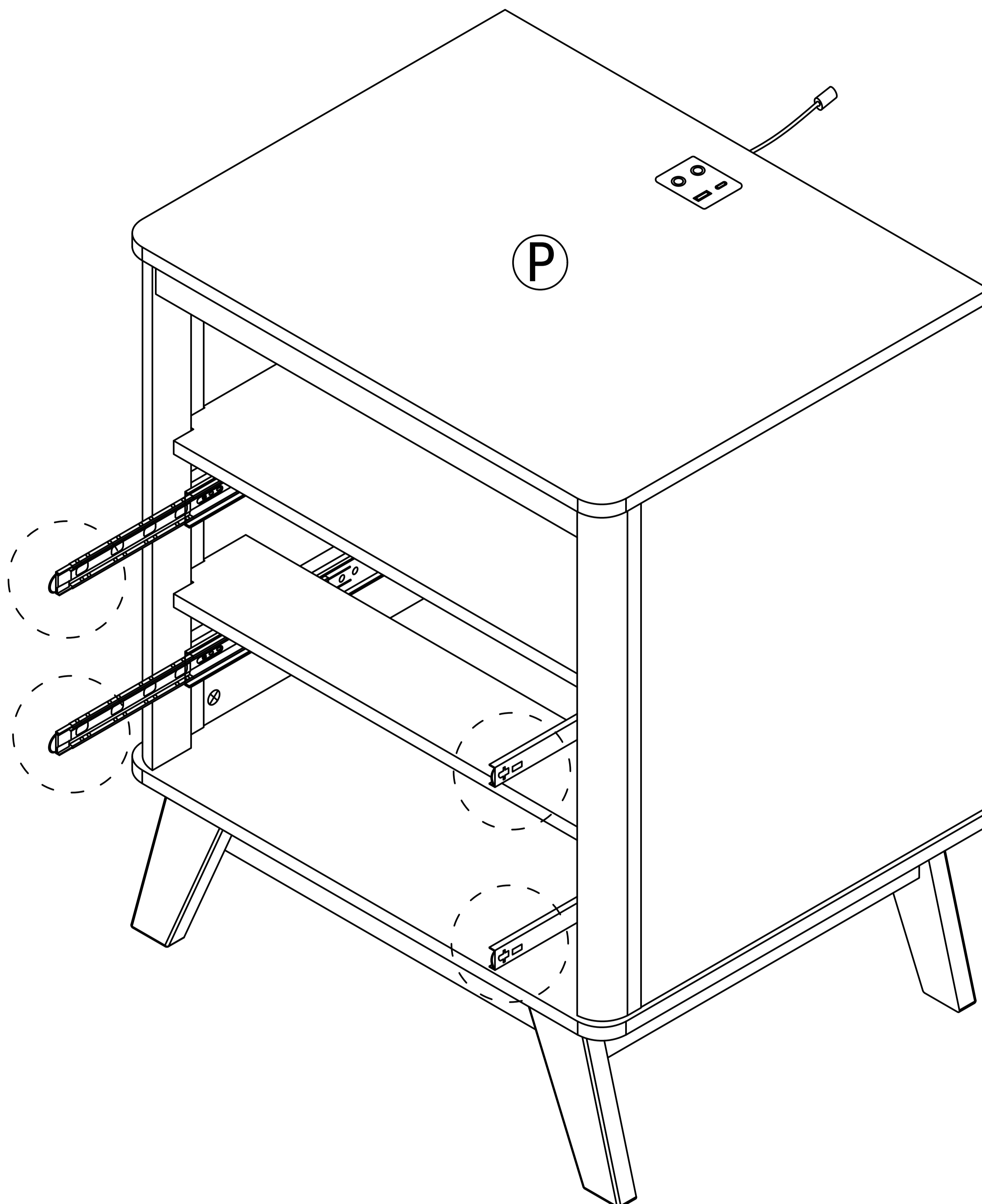
2



x4

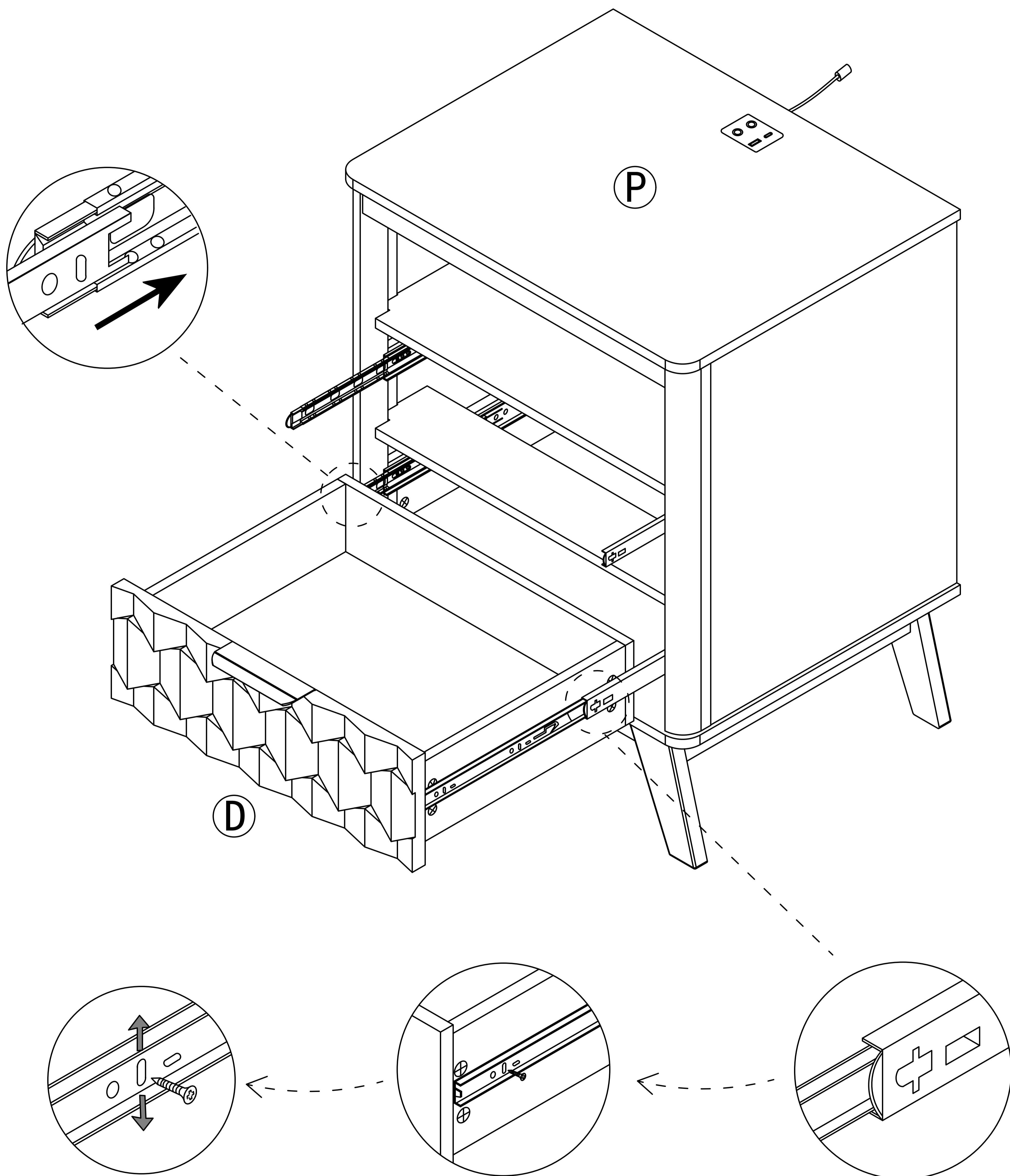


Step 32



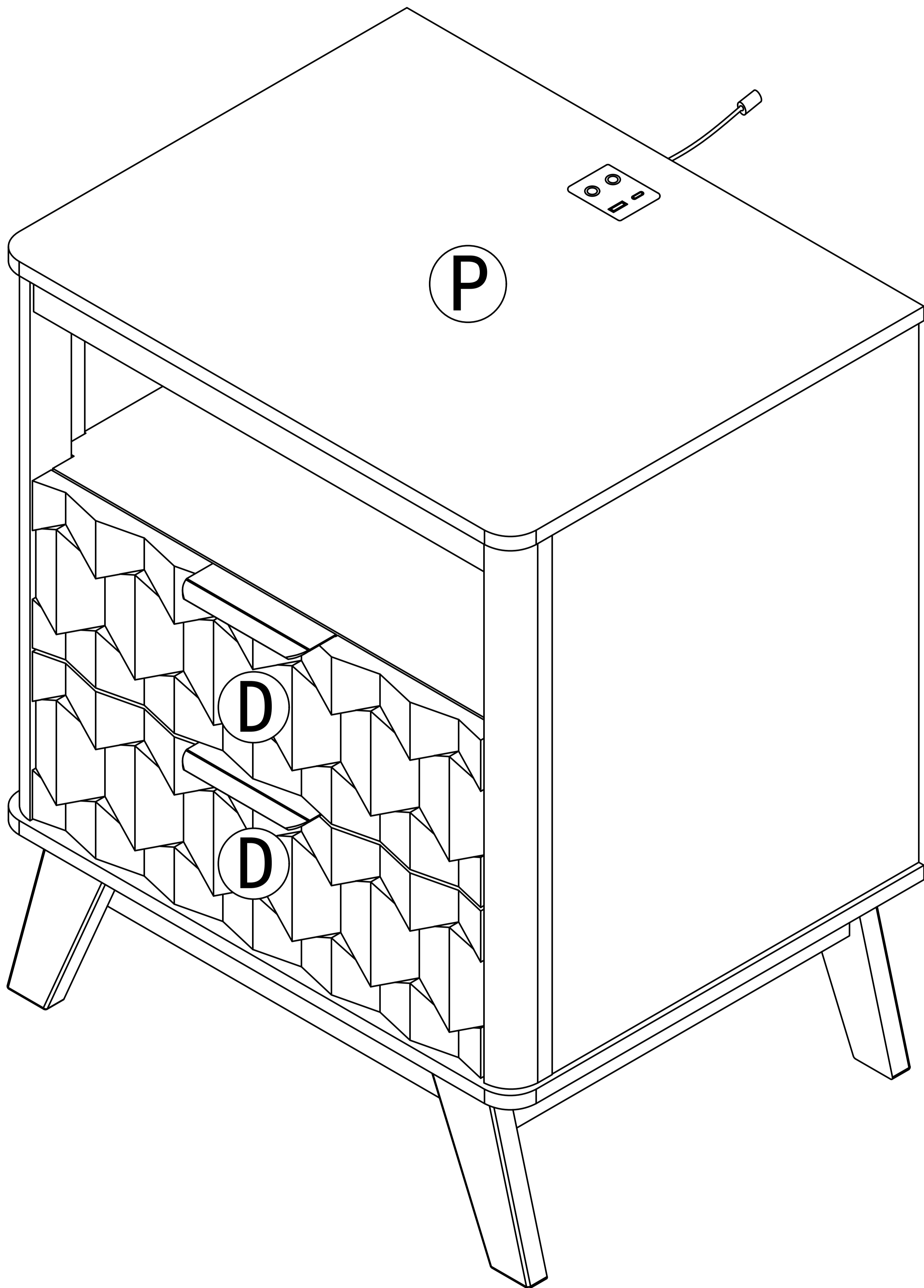
As shown, When installing the drawer,
pull the guide rail out first, Slide beads are also pulled out.

Step 33



If a large gap is found after installing the drawer the slide rail can be moved up and down to adjust the gap

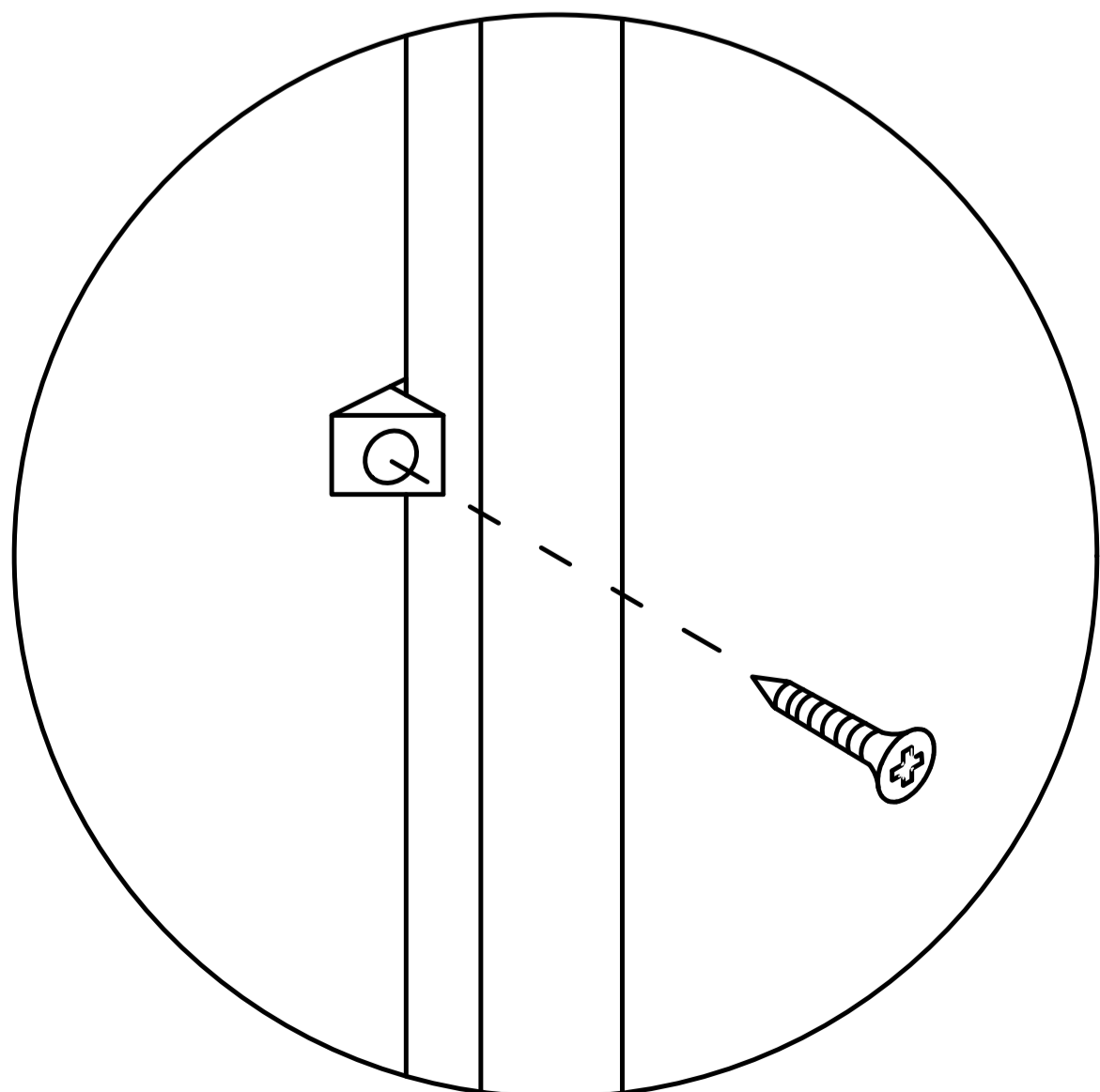
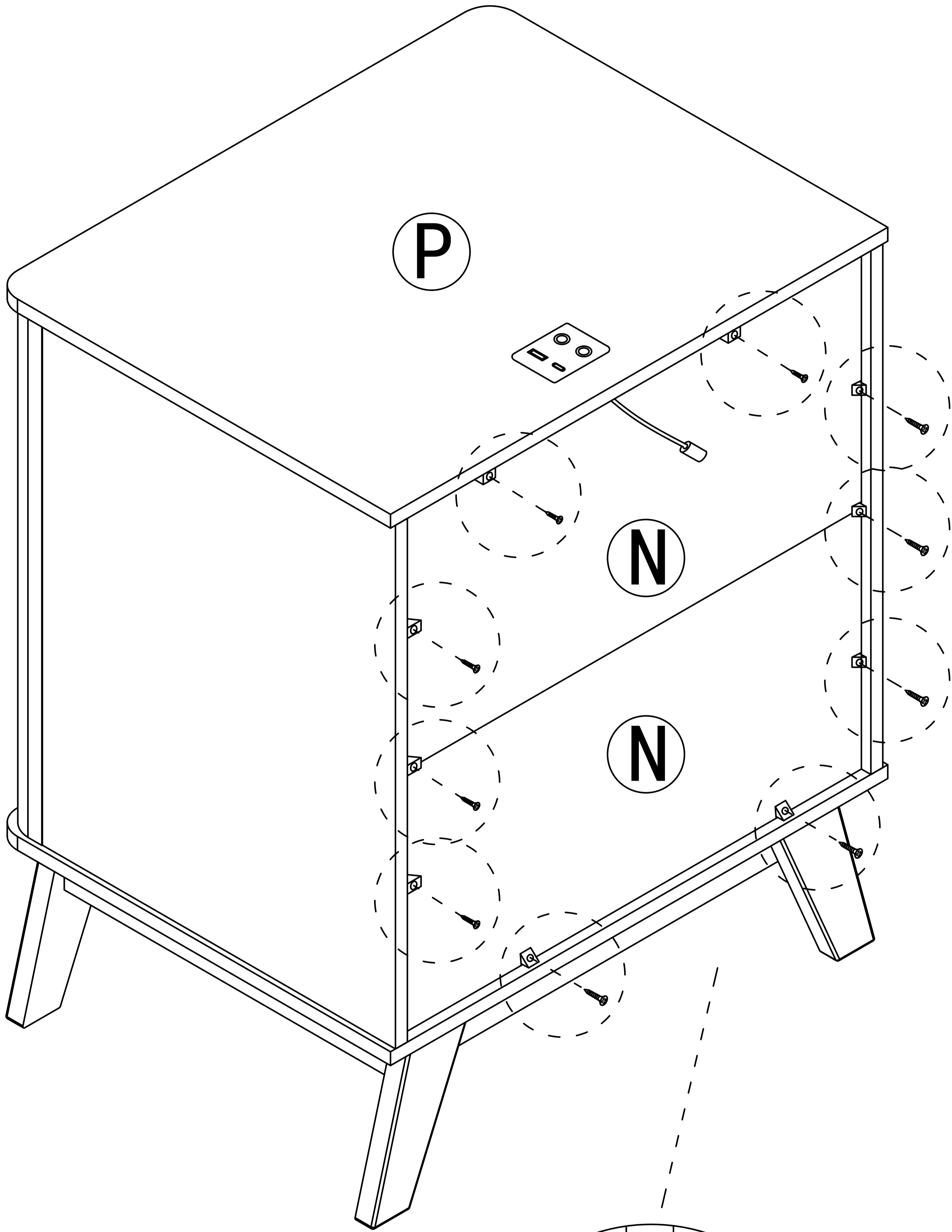
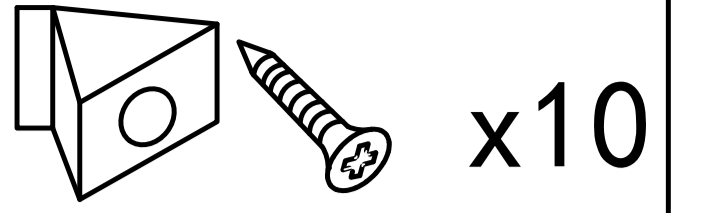
Step 34



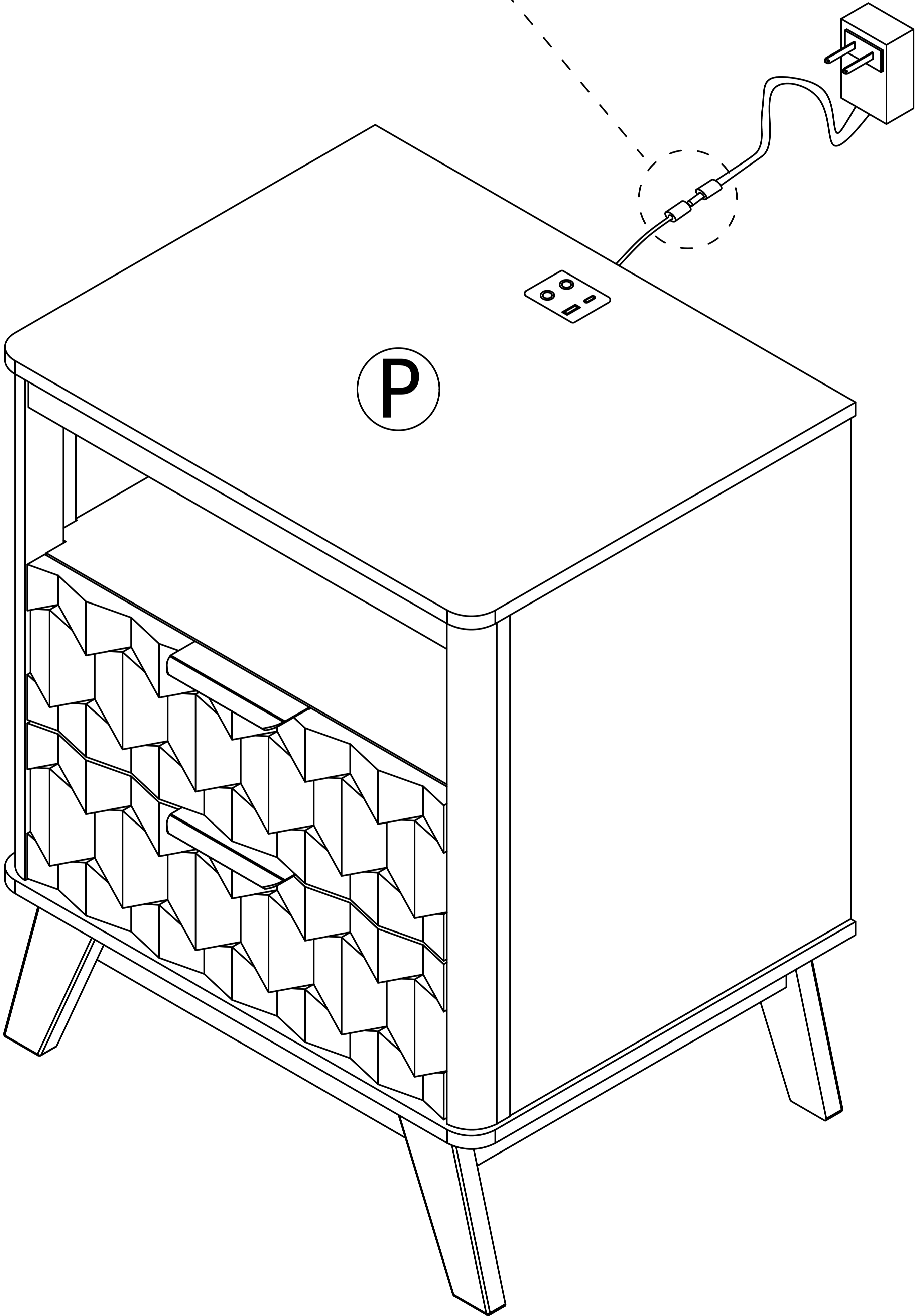
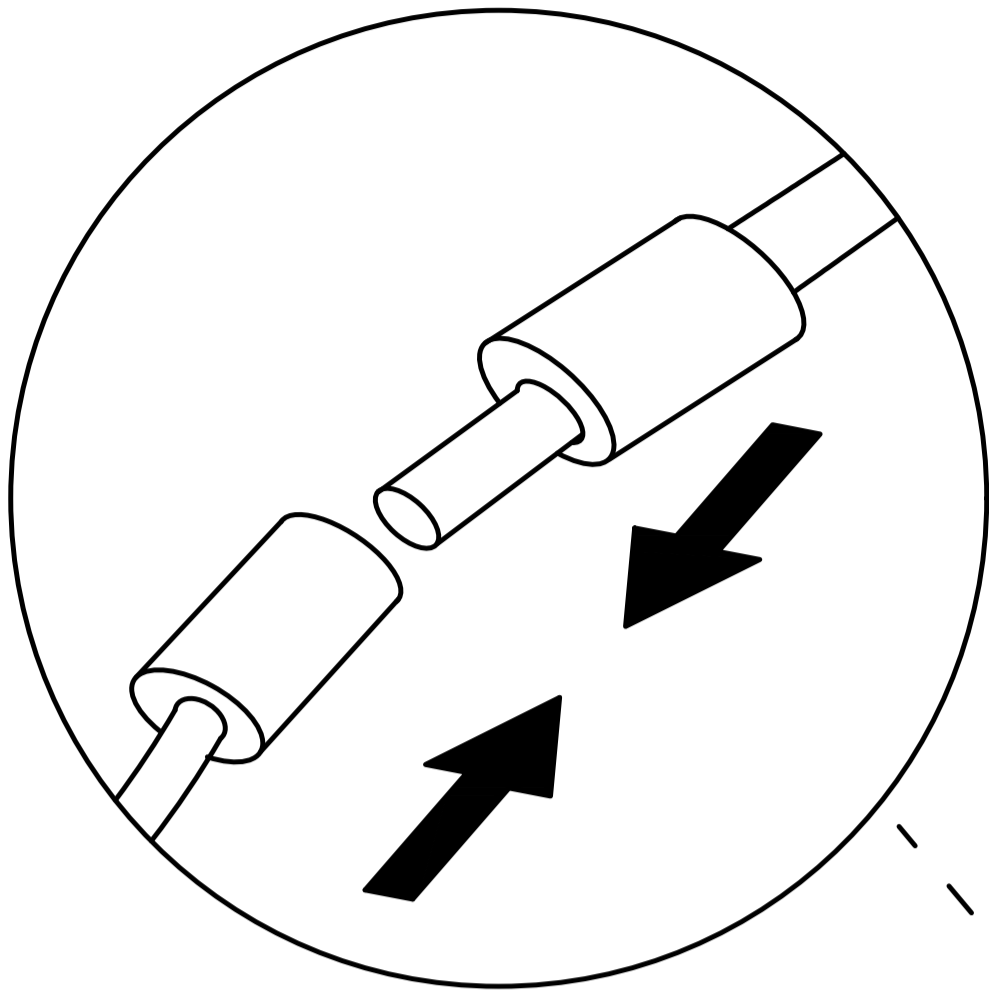
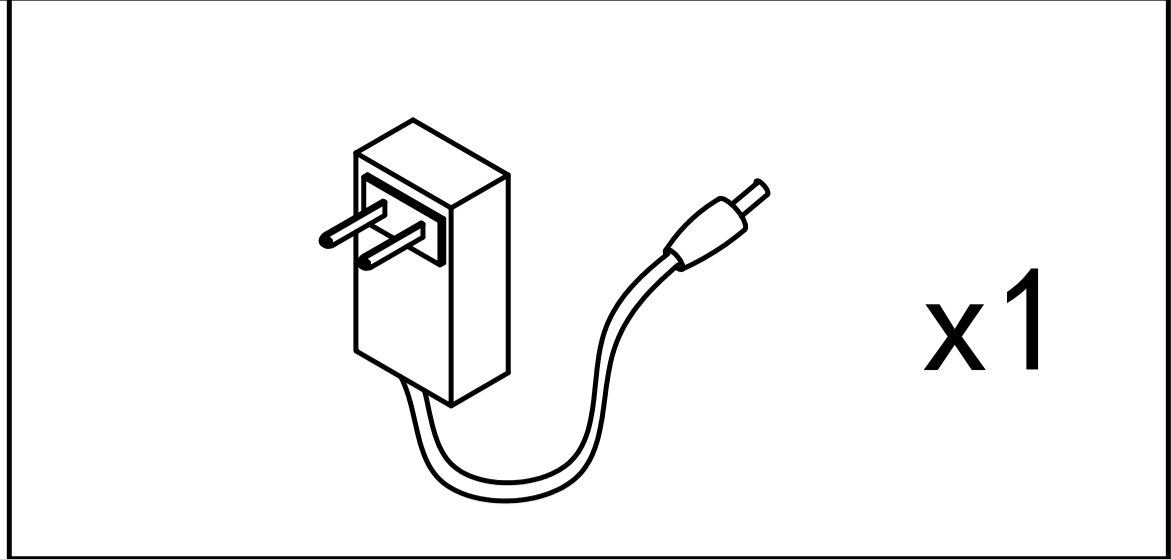
Repeat the drawer installation steps

Step 35

8



Step 36



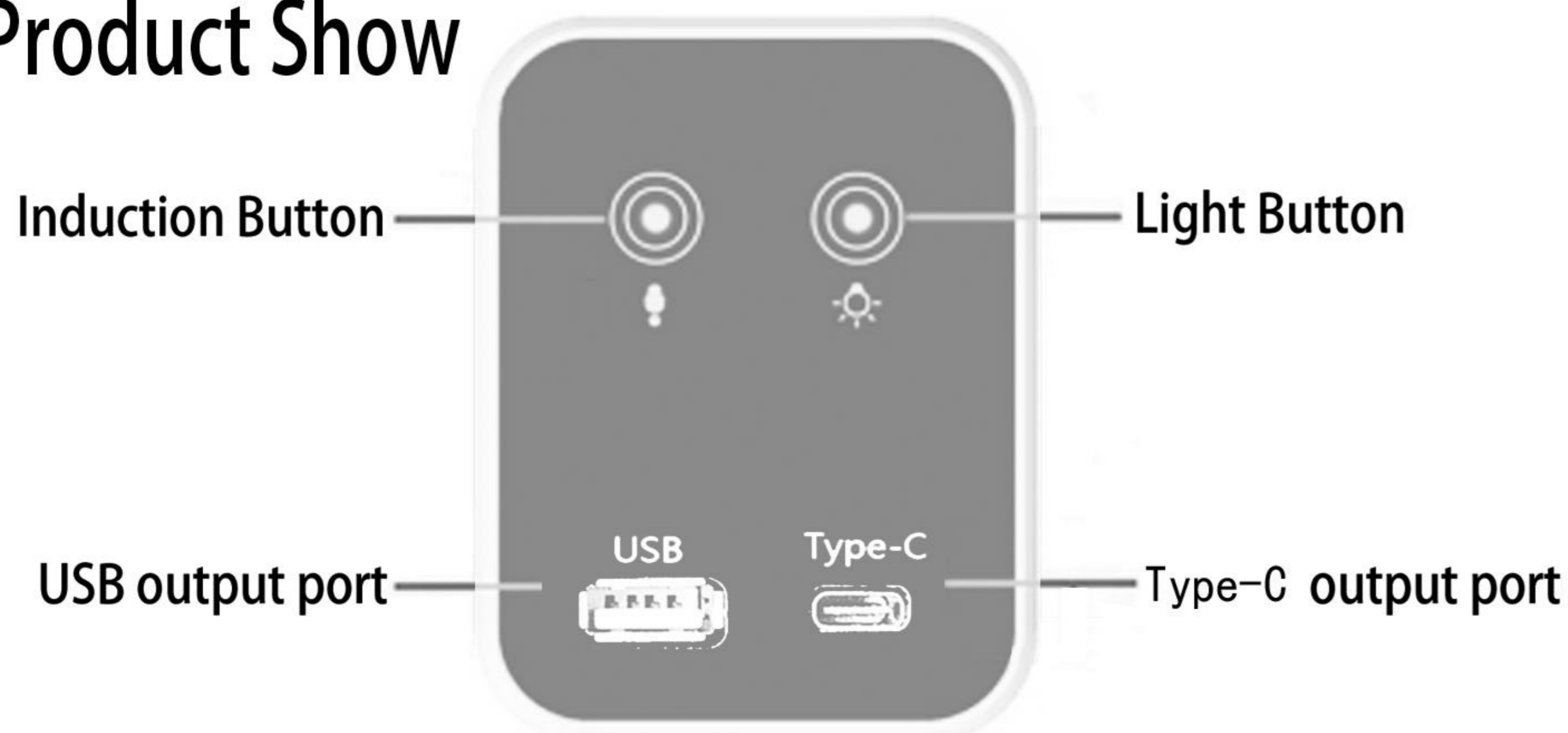
User's Guide

Thank you for purchasing this product. To use this product, please plug it into a 12V DC power supply. Please use if the product works normally after connecting to power.

Introduction

The box is an intelligent controller. It has 1 USB port and 1 type-C port and can distribute the current output up to 5V DC-2A. With 2 touch buttons, it can turn ON/OFF the light, change light colors, and adjust the light luminance.

Product Show



ATTENTION PLEASE

1. If there is no touch response suddenly, Re-plug the power to reset the touch static electricity.
2. If bubbles appear on the panel, remove the protective film.

Operation



This touch button is used to turn on/off, change colors, and adjust brightness.

A. Short touch -> lighting on -> short touch -> change light color -> short touch -> change light color -> short touch -> lighting off. B. Long touch -> adjust the luminance



This touch button is used to turn on/off the induction function.

A . Short touch to turn on the induction function. It can auto-turn on the light when people are close to the controller in 1 meters. It can auto power off the light when the body is far away from the controller after 30 seconds.

B . Long touch to turn off the induction function.

C . Note: When you touch the light button to change the light modes, the induction function will automatically turn off. It is best to turn on this function after selecting the light color and adjusting the brightness you want.