

RVH8512

UNDERMOUNT WORKSTATION SINK

RUVATI[®]
SPECIFICATION SHEET

MATERIAL

True 16 Gauge Thickness
Premium T304 Grade Stainless Steel
18/10 Chromium/Nickel Content
Commercial Brushed Finish

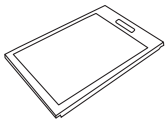


FEATURES

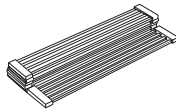
- Heavy duty sound guard padding and undercoating
- Patent-Pending Glass Sink
- Single-Tier Ledge for Accessories



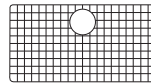
IN THE BOX



Cutting Board
[RVA1217BWC]



Folding Rack
[RVA1395]



Rinse Grid
[RVA68300]



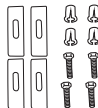
Cut-out
Template



Basket Strainer
[RVA1025]



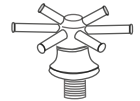
Drain Cover
[RVA1035]



Mounting Clips
[RVA11031]



Flex Hose
[RVA11025]



Sprayer Assembly
[RVA11026]

NOMINAL DIMENSIONS

Exterior: 32" (wide) x 19" (front-to-back)

Interior Bowl: 30 $\frac{3}{8}$ " (wide) x 16" (front-to-back)

Bowl Depth: 10"

Minimum Cabinet Size: 35" wide

Drain Hole Size: 3 $\frac{1}{2}$ "

Installation Type:

Undermount

Inside Corners:

Sharp

Drain Location:

Rear Center

RUVATI USA

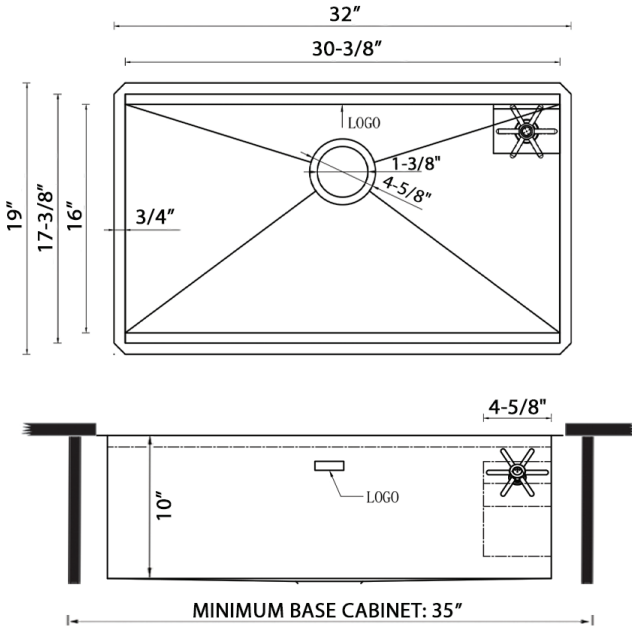
www.ruvati.com

Phone: 1.855.478.8284
Email: support@ruvati.com

OPTIONAL ACCESSORIES (SOLD SEPARATELY)



DIMENSIONS



cUPC certified by IAPMO to meet US and Canada plumbing standards.



SCAN TO REGISTER YOUR WARRANTY

or visit ruvati.com/register

RUVATI USA
www.ruvati.com

Phone: 1.855.478.8284
Email: support@ruvati.com