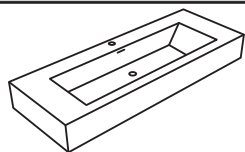


# PRODUCT ASSEMBLY INSTRUCTIONS

[ Product Model: FS156-1220 ]

## List :



Solid Surface Bathroom Sink x1

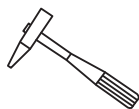


Support x2

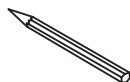


Expansion Bolt x8

## Tools Required :



Hammer



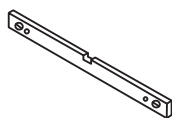
Pencil



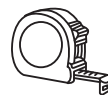
Wrench



Electrodrill



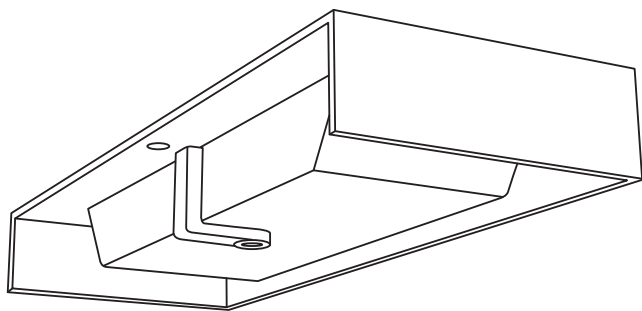
Gradienter



Steel tape

## Installation steps : 1

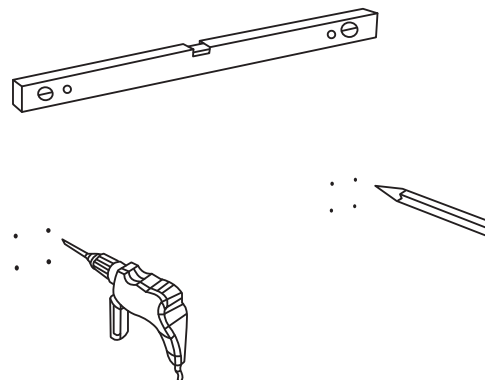
Measure the distance of the mounting holes, and the height you want, mark with the pencil.  
(33"-36" is preferred for countertop height).



[ The back of the product ]

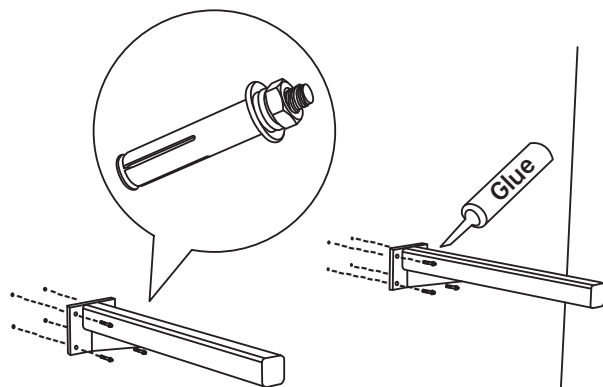
## Installation steps : 2

Drill the hole at the mark with electric drill.



## Installation steps : 3

Insert the wall plug and mount screws into the wall. Install the brackets. Put some glue on the surface of brackets.



## Installation steps : 4

Install the product onto the stand.

**⚠** Before installing your bathroom sink, make sure the brackets are secure.

