

Assembling Guide

Thank you for choosing our product!

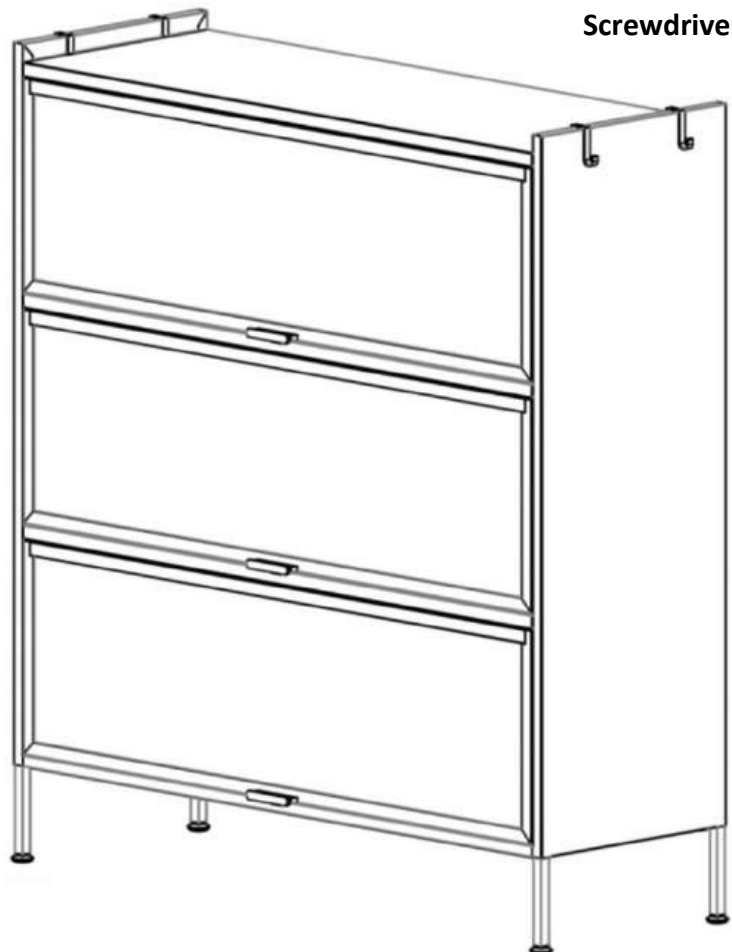
Before you start:

- 1. This guide is using a 3 doors cabinet as a demonstration, the 2 or 4 doors is the same assembling method.**
- 2. Please confirm the completeness of parts according to the parts diagram on next page. If there are any missing, please feel free to contact us, we are happy to help!**
- 3. Please be aware that some parts may be sharp, please be careful!**
- 4. The dimensions in this guide may vary from the actual product.**
- 5. During assembly, please try not to tighten the screws initially. Wait until everything is in place, and then tighten them securely.**
- 6. Always place the product on a flat, steady and stable surface.**
- 7. Keep all small parts and packaging materials for this product away from babies and children as they potentially pose a serious choking hazard.**
- 8. Better to have someone to assist you during assembling.**



Screwdriver included

If you're having difficulty, please give us a chance to make it right and do better! Replacements for missing or damaged parts will be shipped ASAP!

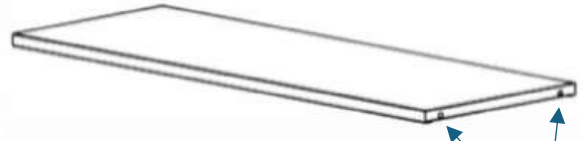




A: Left Panel x1

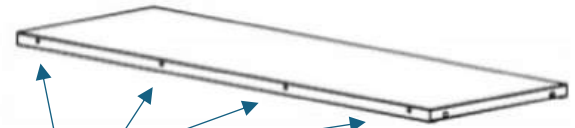


B: Right Panel x1



C: Middle Shelf x3

Screw Holes

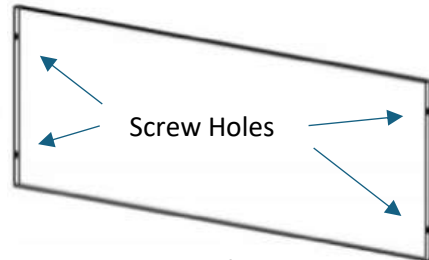


Screw Holes

D: Bottom Shelf x1

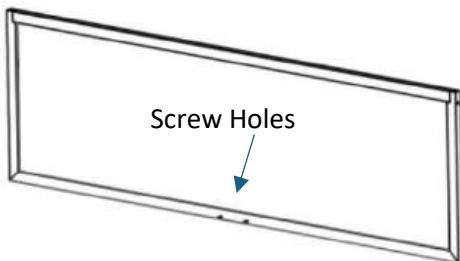


E: Leg Tube x2



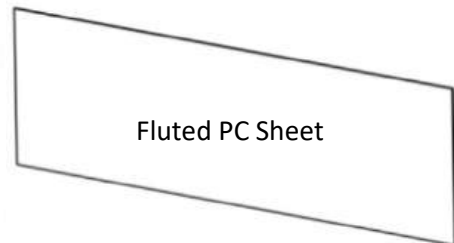
Screw Holes

F: Back Cover x3



Screw Holes

G: Door Frame x3



Fluted PC Sheet

H: Door Panel x3



I: Hooks x4



J: Foot Plug x4



K: Adjustable Foot x4



L: Door Hinge Spring x6



M: Door Clip x42



S: Nut x18



N: Handle x3



O: Screws for Middle Shelf x12



P: General Screws for D E F Panels x20



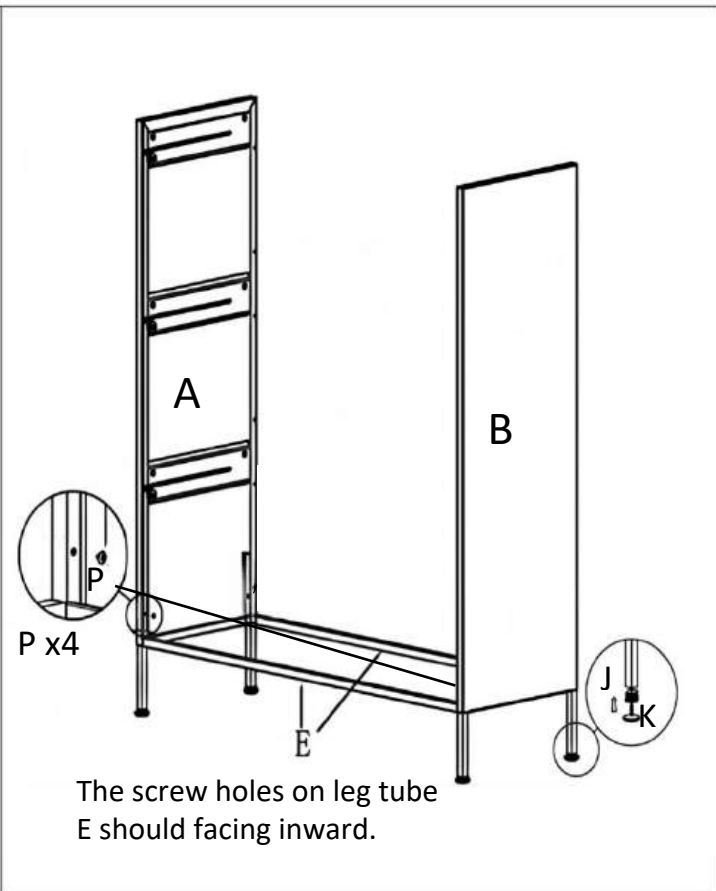
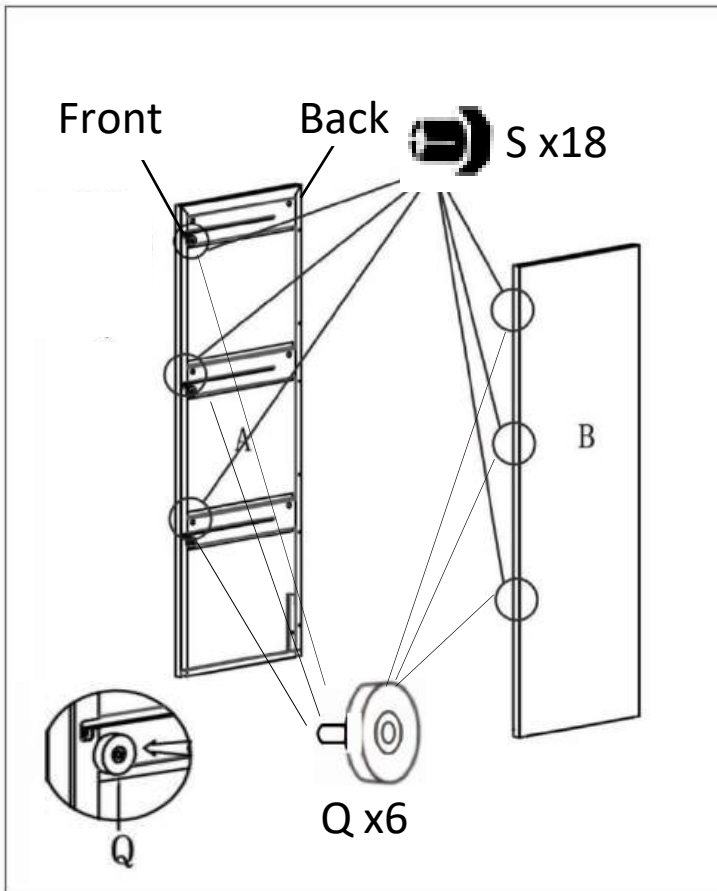
Q: Roller Runner x6



R: Screws for Handle x6

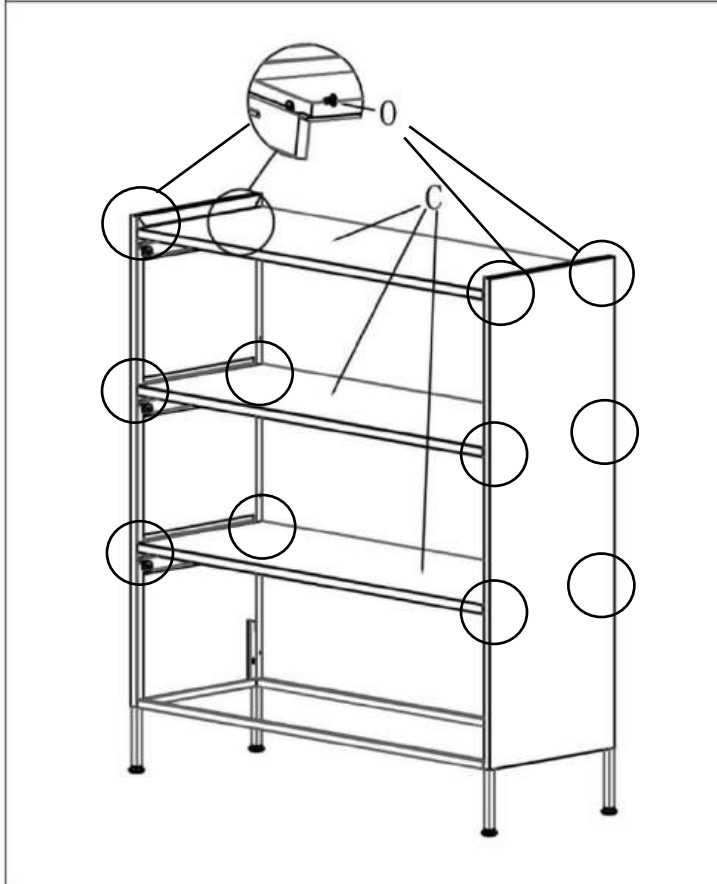


T: Handy Tool for Door Hinge Spring x1



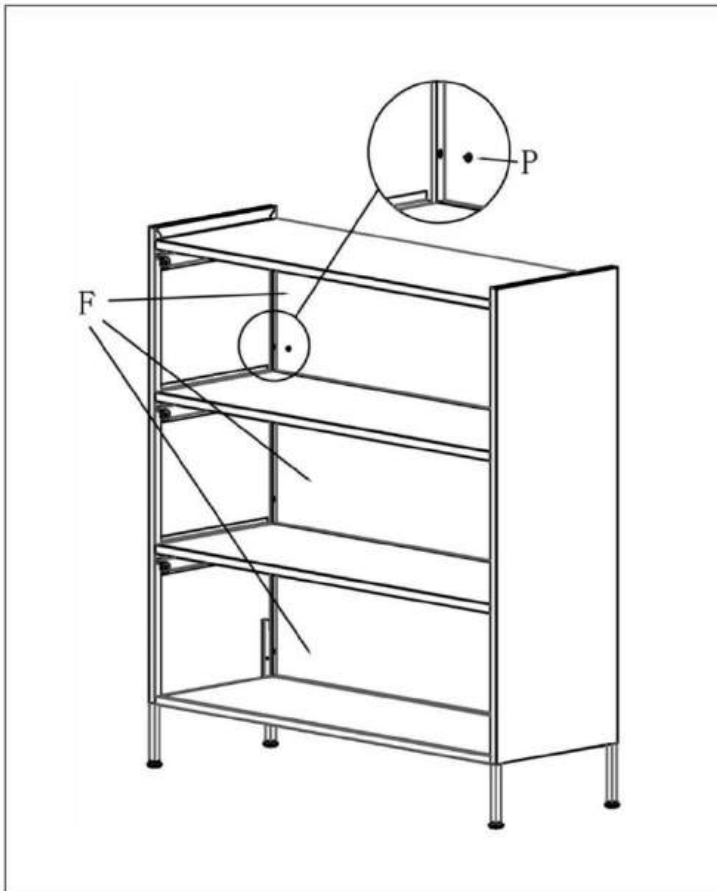
1. First to Install the S(nut) to A, B (Left and Right panel), then install the Q (Roller Runner) to the screw nut hole S below the door rail.

2. First, install J (Foot Plug) and K (Adjustable Foot) into E (Leg Tube), then insert E (Leg Tube) into A and B (L&R Panel). Finally, use P (General Screws) to secure the leg tube to the two side panels.

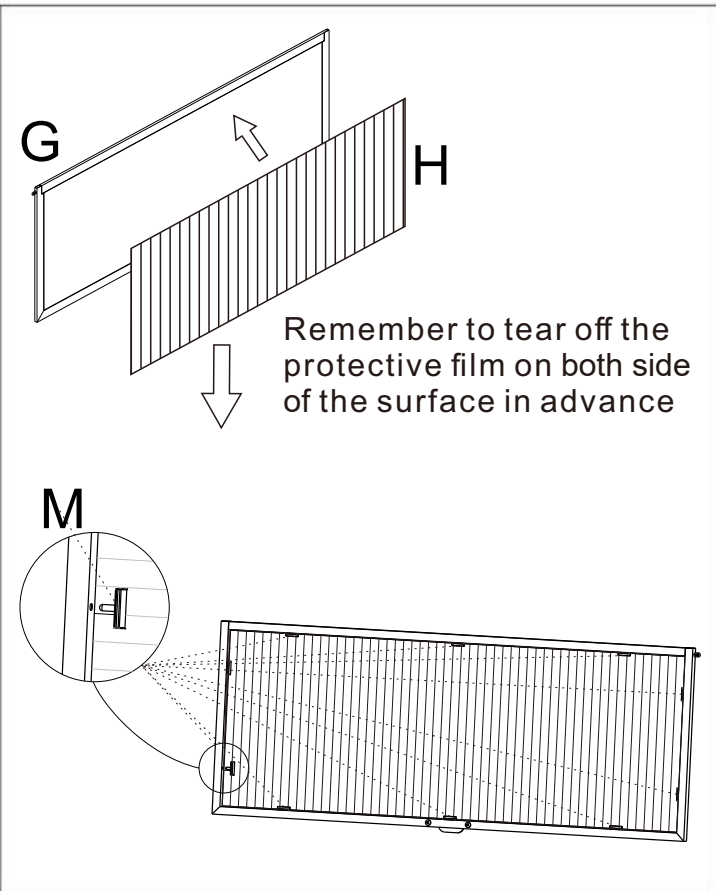


3. Use O (Middle Shelf Screws) to secure C (Middle Shelf) to A and B (L&R Panel).

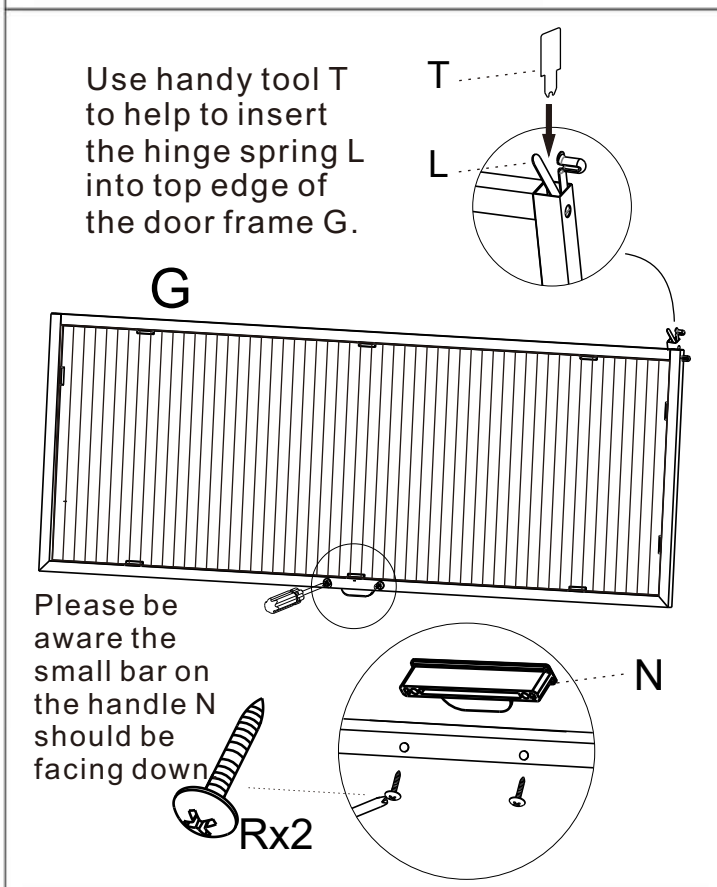
4. Use P (General Screws) to secure D (Bottom Shelf) to E (Leg Tube).



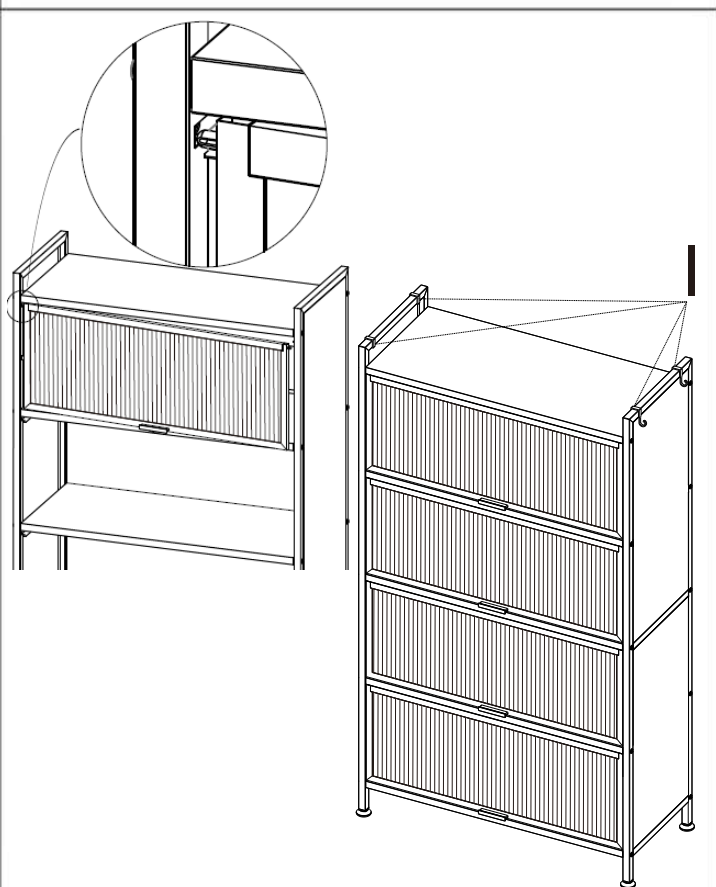
5. Use P (General Screws) to secure F (Back Cover) to A and B (L&R Panel).



6. Use M (Door Clips) to secure H (Door Panel) to G (Door Frame).



7. Use T (Handy Tool) to help to insert the L (Door Hinge Spring) into G (Door Frame). Then Use R (Handle Screws) to secure N (Handle) to G (Door Frame).



8. Install assembled G (Door Frame). Then hook the I (Hooks) to the side panel.