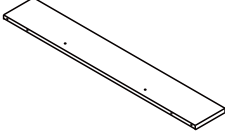
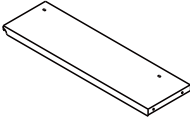
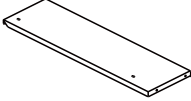



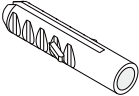




# Installation Manual of TR262-265

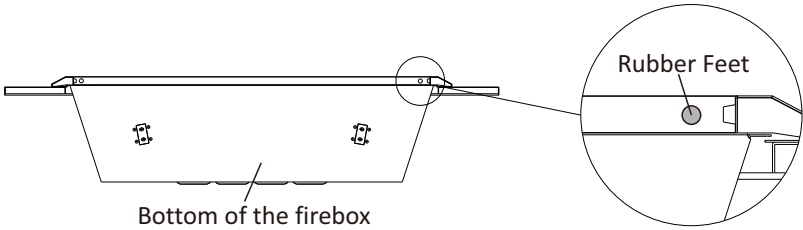
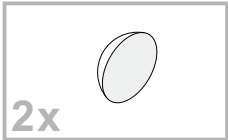
You may need a screwdriver, a drill and a hammer to finish the installation.

Any questions, please call 949-385-6588 or email to [service5@fireandfireplaceservice.com](mailto:service5@fireandfireplaceservice.com).

## Parts List

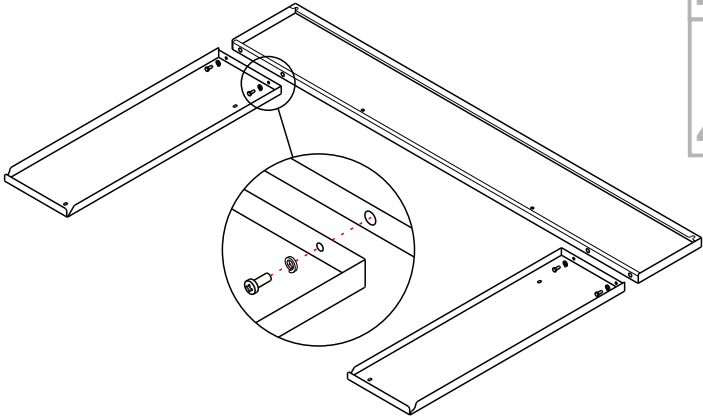
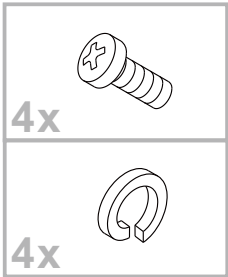
 <b>1x</b>	 <b>1x</b>	 <b>1x</b>
Front Trim	Right Trim	Left Trim
 <b>6x</b>	 <b>4x</b>	 <b>4x</b>
Screw ST4*8	Screw M4*10	Washer
 <b>2x</b>	 <b>2x</b>	 <b>2x</b>
φ 6*30 Wall Plug	Screw ST4*25	Rubber Feet

# Step 1

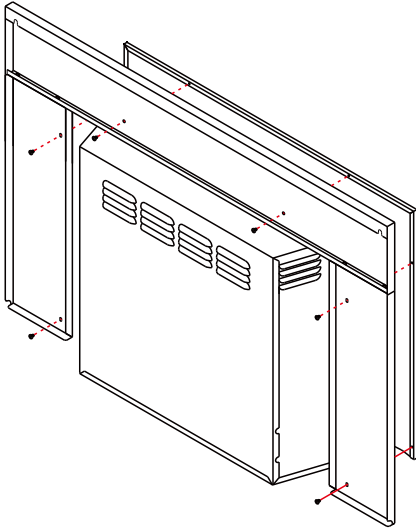


Stick the rubber feet as shown in the picture.

# Step 2

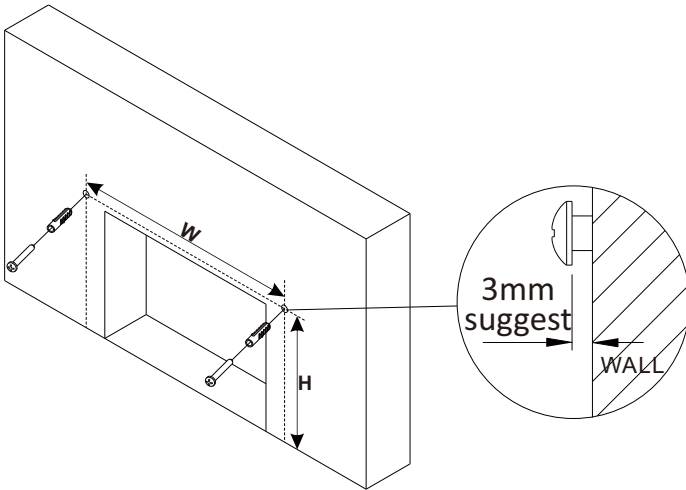
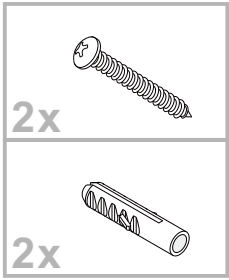


# Step 3



Attach the trim to the unit.

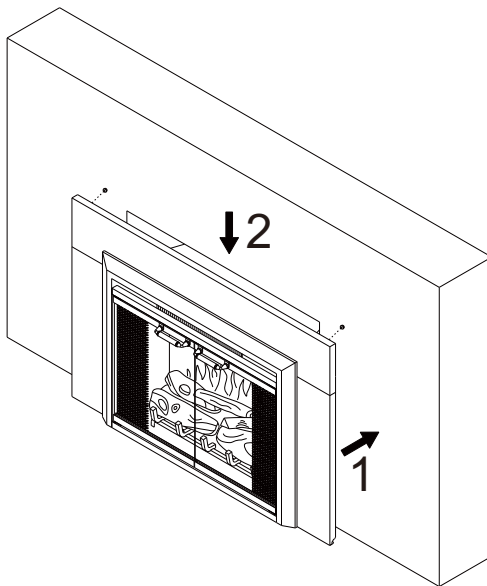
# Step 4



Model	Unit	W	H
TR262	inch	36 $\frac{13}{16}$	25 $\frac{25}{64}$
	mm	935	645
TR263	inch	38 $\frac{13}{16}$	28 $\frac{25}{64}$
	mm	986	721
TR264	inch	42 $\frac{53}{64}$	30 $\frac{15}{64}$
	mm	1088	768
TR265	inch	46 $\frac{13}{16}$	30 $\frac{15}{64}$
	mm	1189	768

Fix the wall plugs into the wall with a hammer and the distance required above, then insert the screws into, make sure the head of the screws is out of the wall surface, 3mm (or  $\frac{1}{8}$  inches) is suggested.

## Step 5



Secure the trim kit to the fireplace.

Lift the whole unit a little to plug the unit to the screws on the wall, then put it down gently.