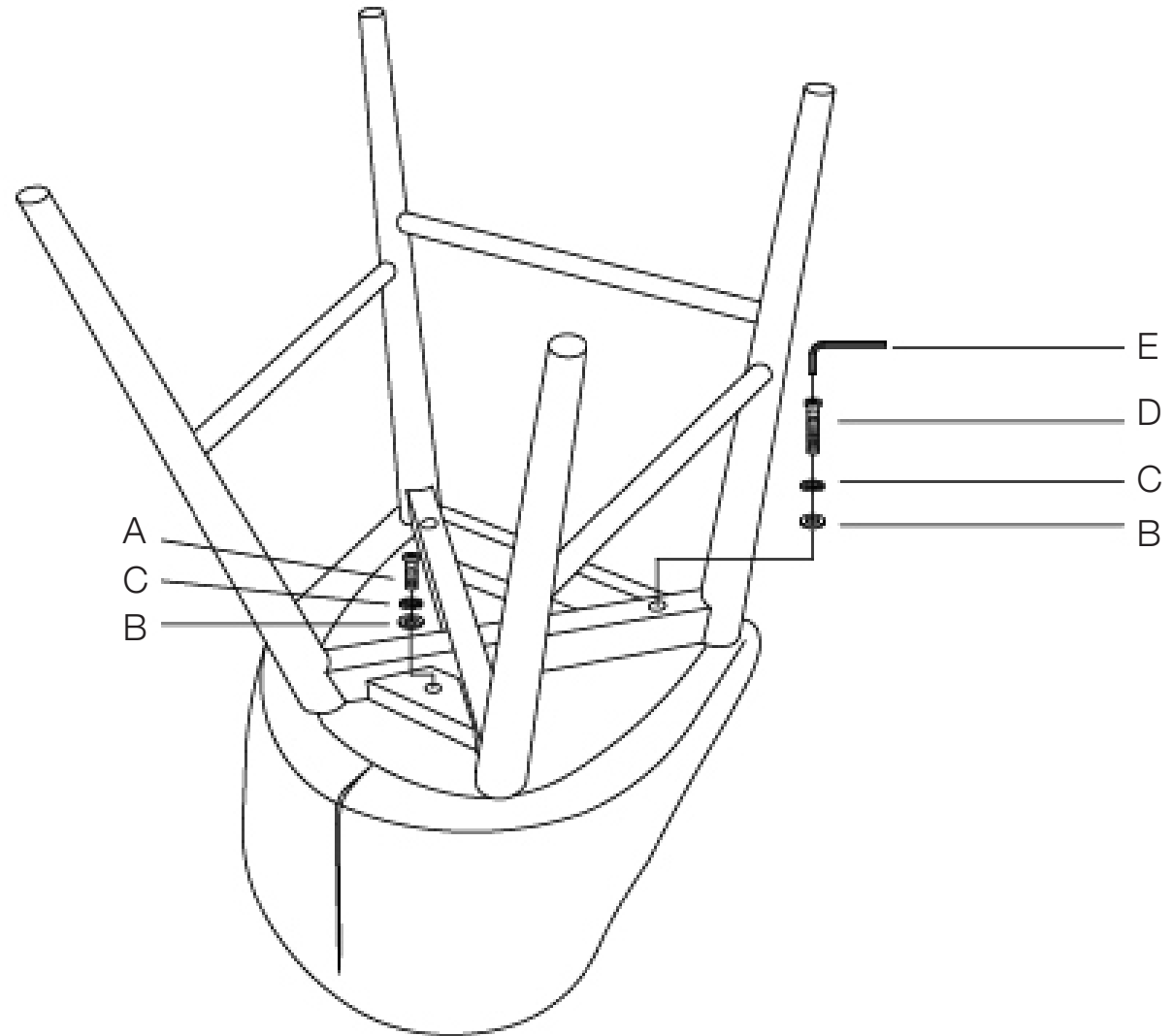



PLEASE NOTE: Check that you have received all components and hardware before assembling.

Assembly Instructions Counter Stool





A (1 PC)
M6 X 46mm


B (3 PCS)


C (3 PCS)


D (2 PCS)
M6 X 60mm


E (1 PC)
4mm

During assembly, hand tighten screws only. When the screws are in place, tighten completely.