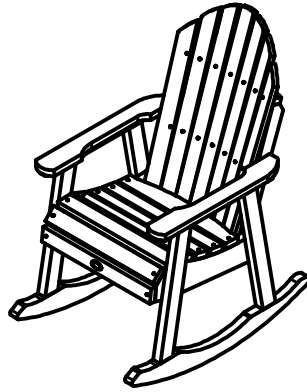


Adirondack Dining/Rocking Chair

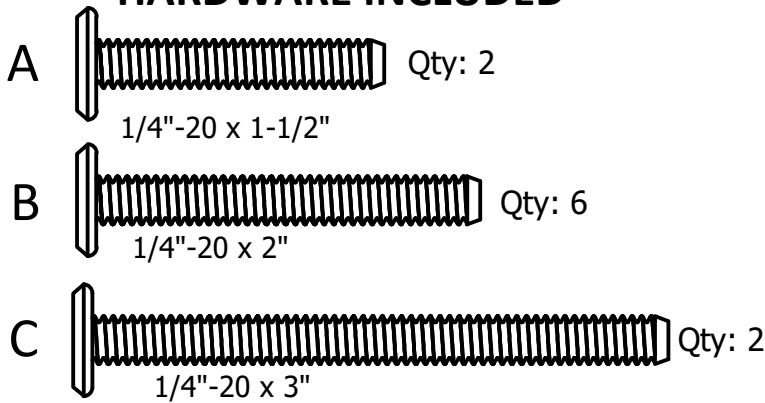
Assembly Guide



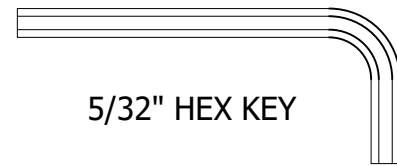
CHDA2
CHRSQD2
RKCH6

*Actual Style May Vary from
the One Pictured in this Guide

HARDWARE INCLUDED

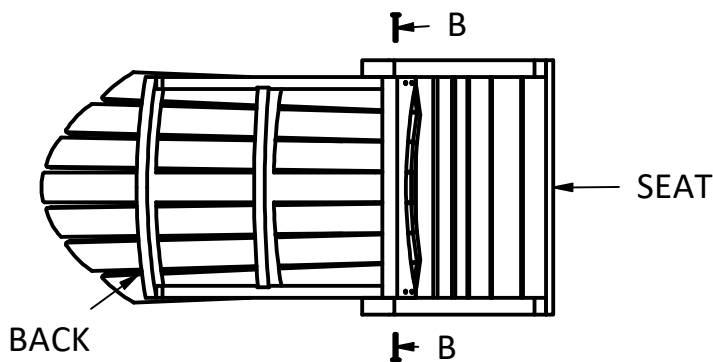


TOOLS INCLUDED

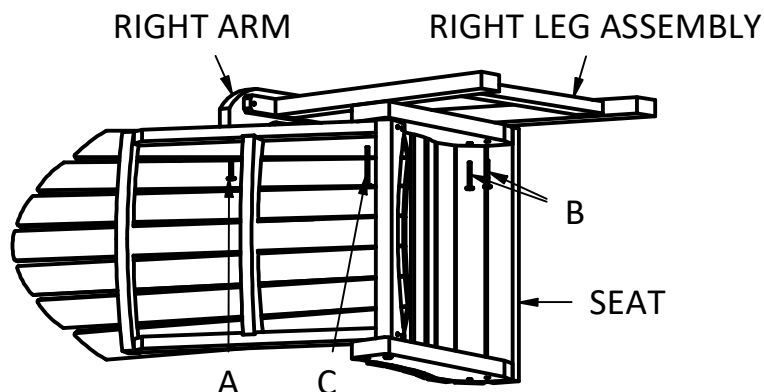


IMPORTANT!

DO NOT fully tighten bolts until all bolts are started.



1) Insert (1) "B" Bolt into Lower Hole on Each Side to Attach Seat to Back. Make Sure the Back is Fully Upright. Make Bolts Snug, but Do Not Overtighten.



2) With the Chair Laying on its Left Side, Attach the Right Leg Assembly to the Seat using (2) "B" bolts and (1) "C" bolt.

3) Attach Right Arm to the Back Using (1) "A" Bolt.

4) Flip Chair and Lay on Right Side. Repeat for Left Leg Assembly.