

ASSEMBLY INSTRUCTIONS

INSTRUCTIONS POUR L'ASSEMBLAGE



- DESC. : KING & QUEEN BED
- SLAT SYSTEM : 14PCS
- TV STAND : Suitable for
- TV 50" for KING BED and below
 - TV 40" for QUEEN BED and below

ASSEMBLY INSTRUCTIONS

Thank you for purchasing the quality product. Be sure to check all packing material carefully for small parts which may have come loose inside the carton during shipment. Separate, identify and count all parts and metal hardware. Compare with all parts list to be sure all parts are present. If any part (s) are missing or damaged, please contact your local furniture dealer. For efficient and speedy service, please indicate the model number and code letter of part (s) needed.

*****Do not fully tighten bolts and screws until fully assembled*****

PART LIST :

PART#	DESCRIPTION	QTY
1	Headboard	1
2	Headboard Leg Left	1
3	Headboard Leg Right	1
4	Headboard Leg Support	2
5	Footboard Storage	1
6	Side Rail	2
7	Center Rail	2
8	Slat With 3 Holes	4
9	Slat With 2 Holes	10
10	Leg Support	4

HARDWARE LIST :

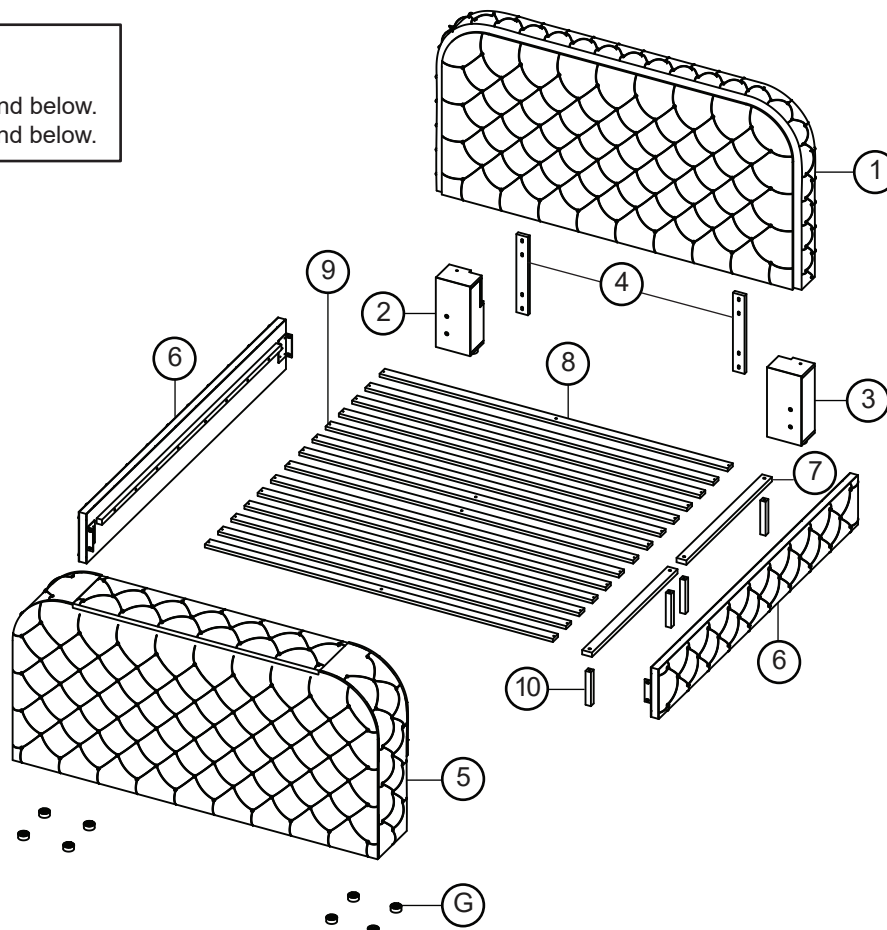
NO	DESCRIPTION	QTY
A	Allen Key With Ball M4	1
B	Connection Bolt (M6 x 30mm) W/Spring Washer & Washer Medium	8
C	Connection Bolt (M6 x 40mm) W/Spring Washer & Washer Medium	10
D	JCBC Bolt M6 x 60mm	4
E	CSK Screw M4 x 32mm	36
F	Adjuster	4
G	Bed Leg	8
H	Adapter Plug	1
I	TV Mount Bracket	1
J	TV Stand Remote	1
K	Fireplace Remote (Battery Not Provided)	1

Pay Attention!

Suitable for TV

King Bed : 50 inches and below.

Queen Bed: 40 inches and below.



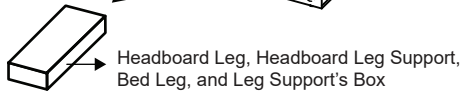
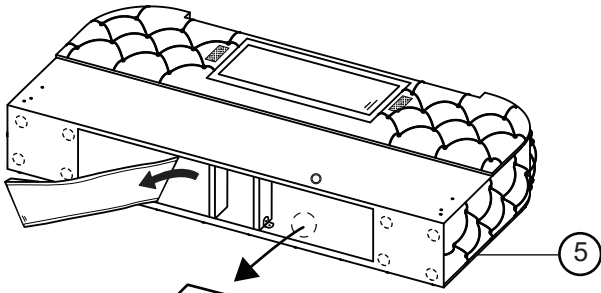
Attention:

*** Some number parts listed on the instruction sheet may not be in parts bag as they may already be assembled. Carefully check parts and packing materials prior to ordering replacements.

HOW TO ASSEMBLE :

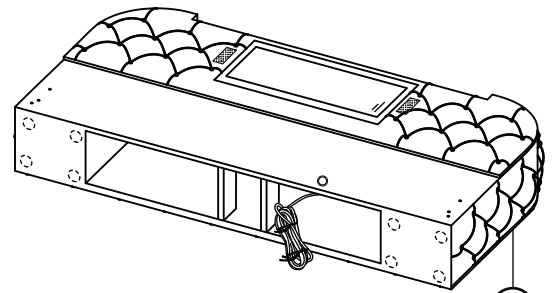
STEP: 1

Remove the Cover at the Bottom of the Footboard Storage (5).



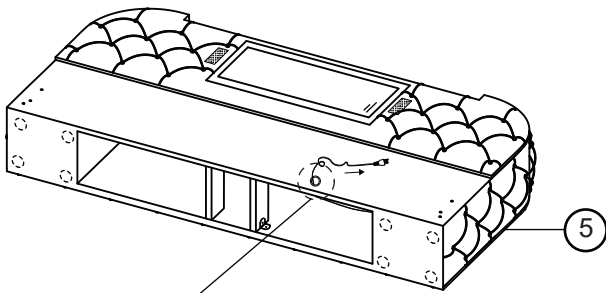
Take Out and Remove the Headboard Leg (2 & 3), Headboard Leg Support (4), Bed Leg (G), and Leg Support (10) which are Inside the Box.

STEP: 2



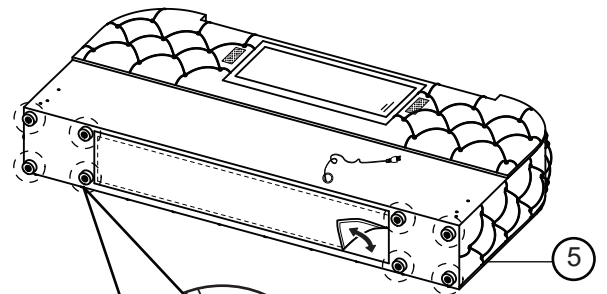
Use scissors to cut the strap off.

STEP: 3



Pull out the Wire to the Required Length.

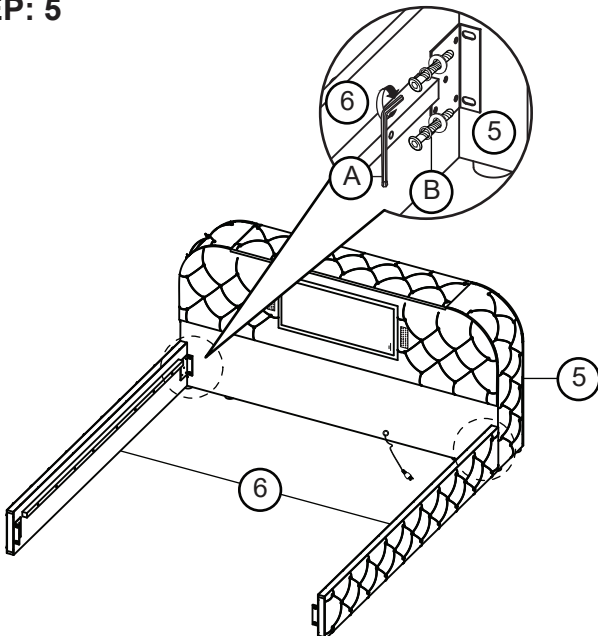
STEP: 4



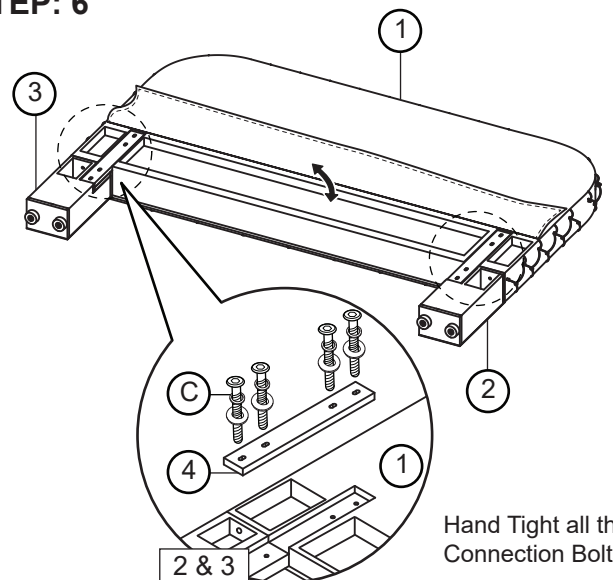
Put Back the Cover at the Bottom of the Footboard Storage (5).

Marking Line

STEP: 5



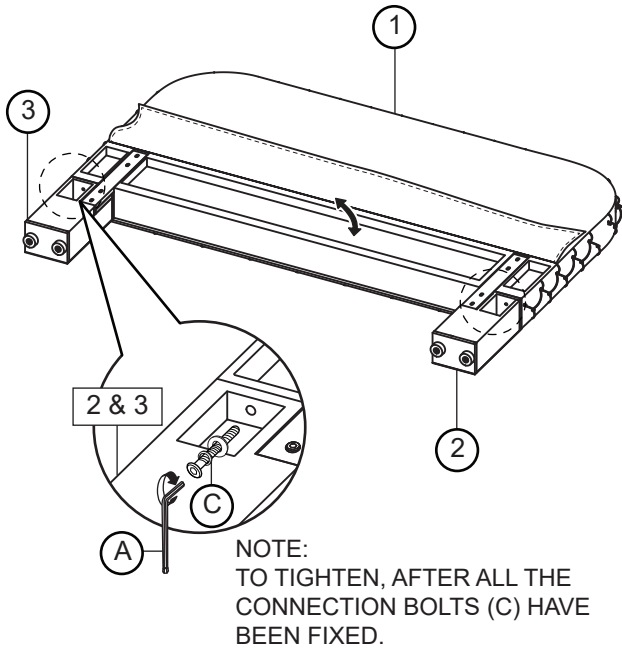
STEP: 6



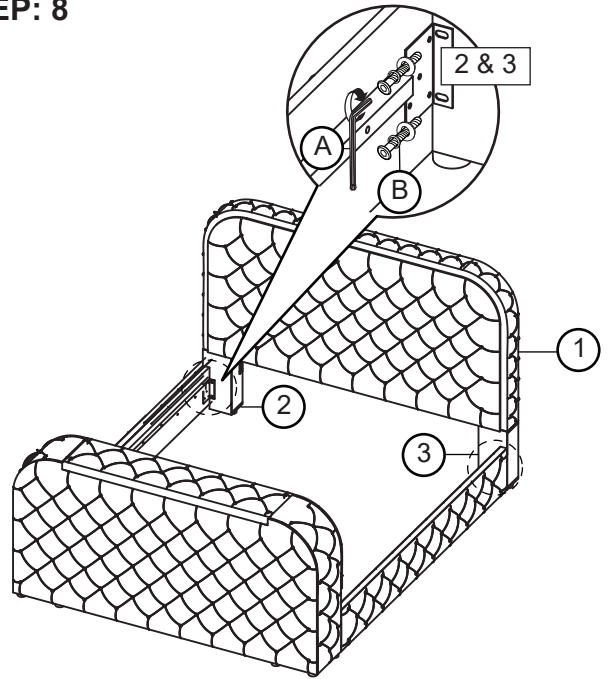
Hand Tight all the Connection Bolts (C).

HOW TO ASSEMBLE :

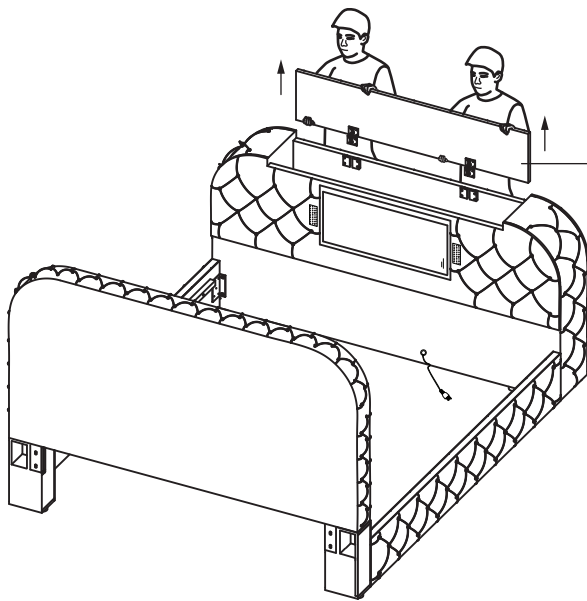
STEP: 7



STEP: 8



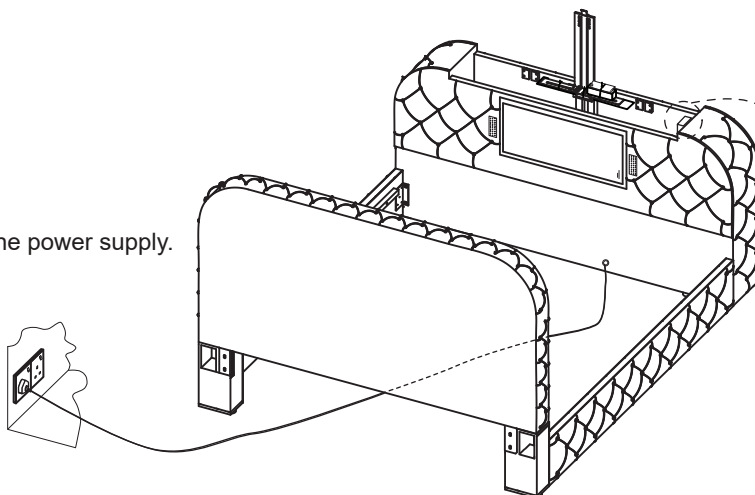
STEP: 9



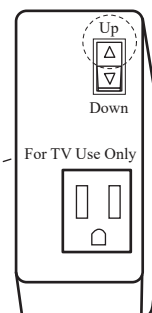
NOTE:
OPEN AND LIFT-UP FOOTBOARD TOP COVER AND THEN DETACHED IT FROM FOOTBOARD STORAGE (5).

STEP: 10

1. Connect to the power supply.

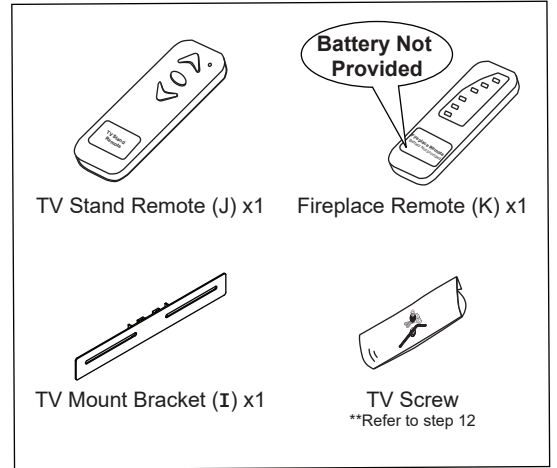
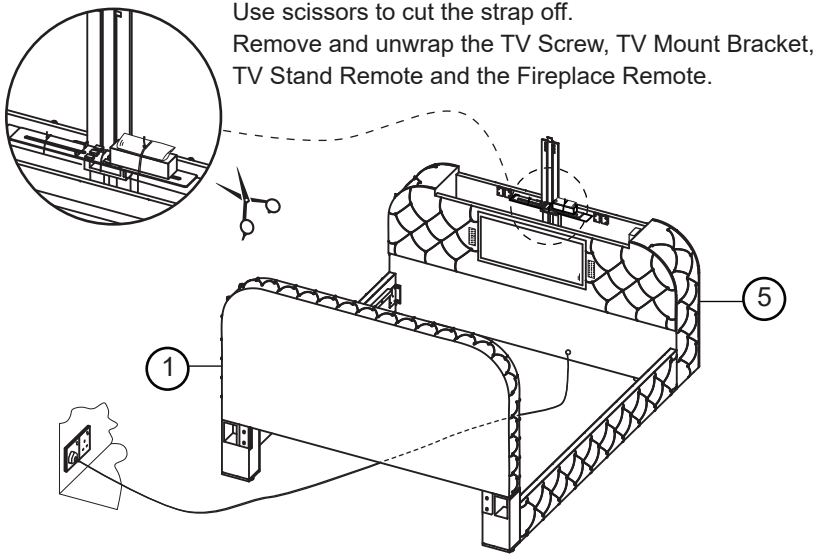


2. Press the "Up" to raise the TV Stand.



HOW TO ASSEMBLE :

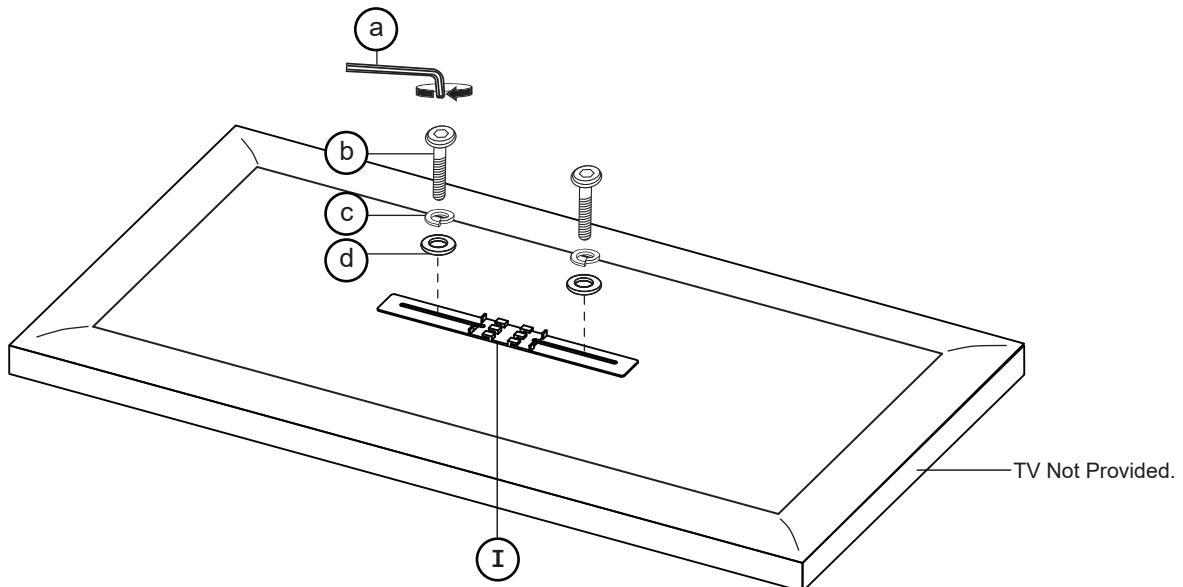
STEP: 11



STEP: 12

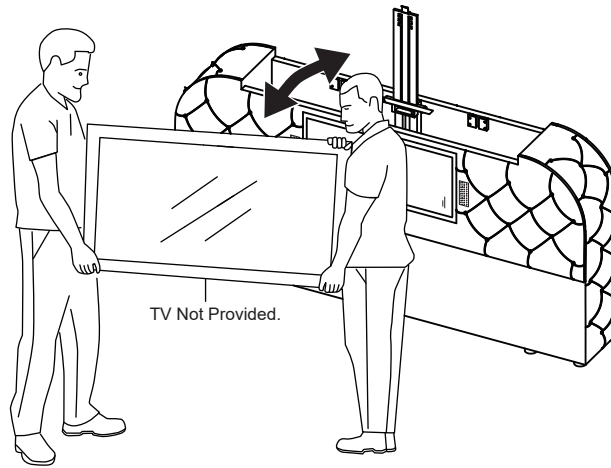
**IF SCREWS ARE SUPPLIED WITH TV, PLEASE USE THOSE IN PREFERENCE
CHOOSE A SUITABLE SET OF HARDWARE**

a) x1	Short Allen Key (M5)		or	a) x1	Short Allen Key (M4)	
b) x2	JCBB Bolt (M8 x 20mm)			b) x2	JCBC Bolt (M6 x 20mm)	
c) x2	Spring Washer (M8)					
d) x2	Flat Washer Medium (M8 x 22 x 1.0)					

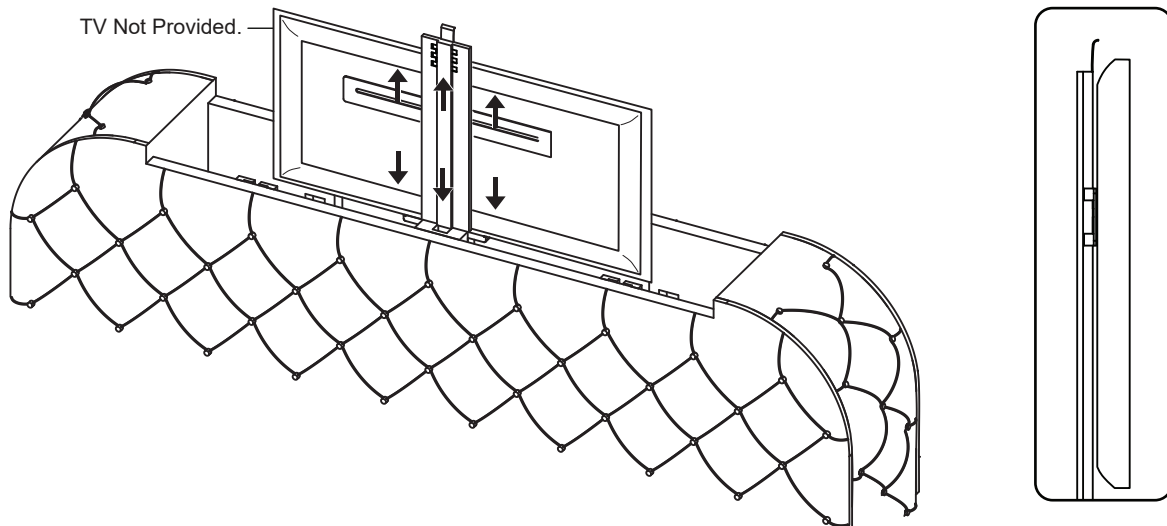


HOW TO ASSEMBLE :

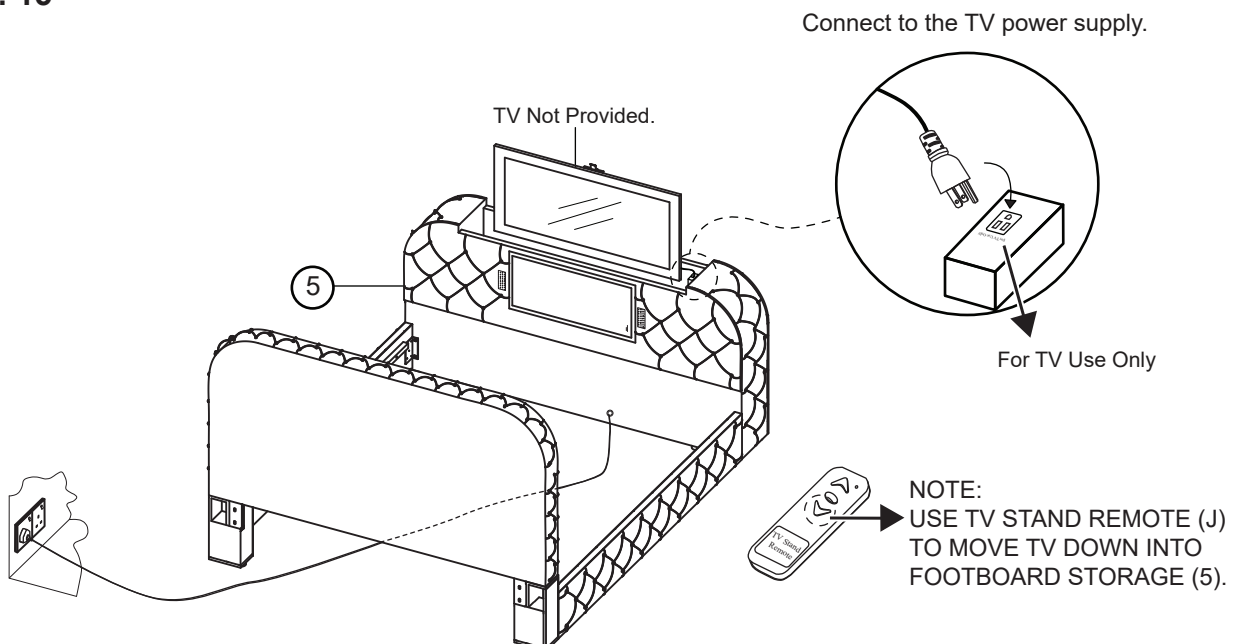
STEP: 13



STEP: 14

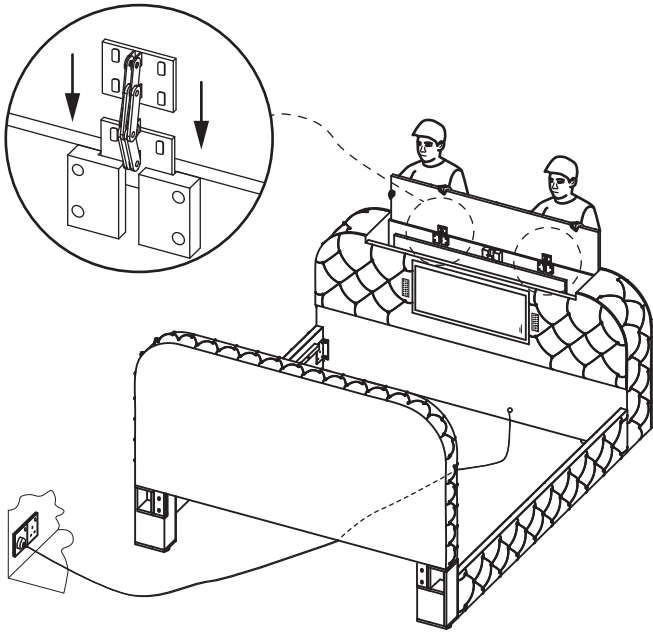


STEP: 15

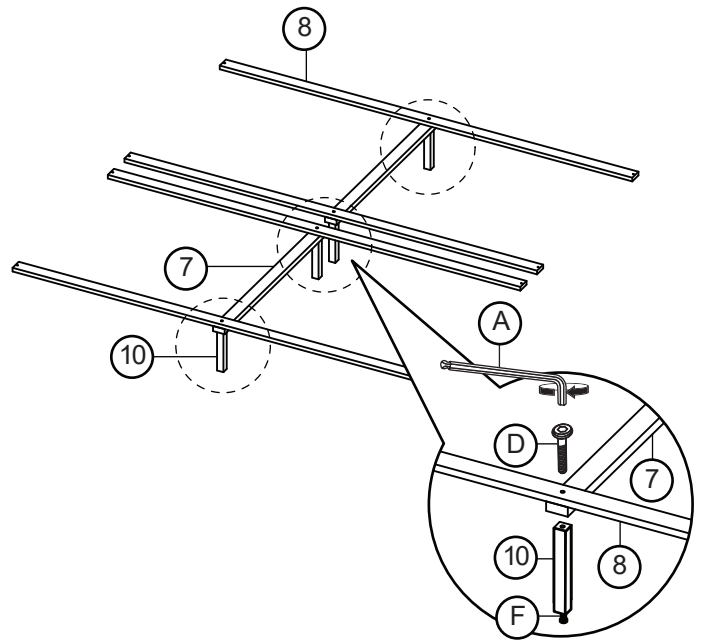


HOW TO ASSEMBLE :

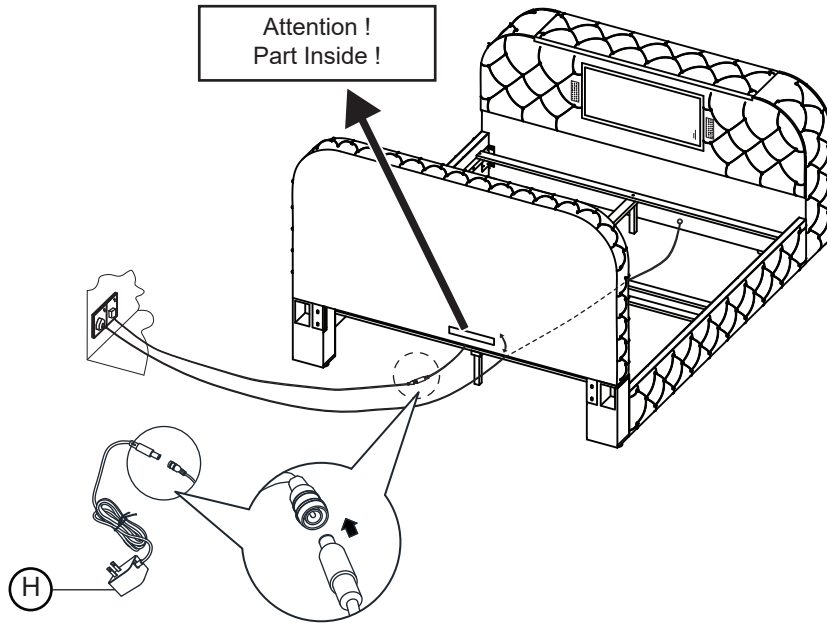
STEP: 16



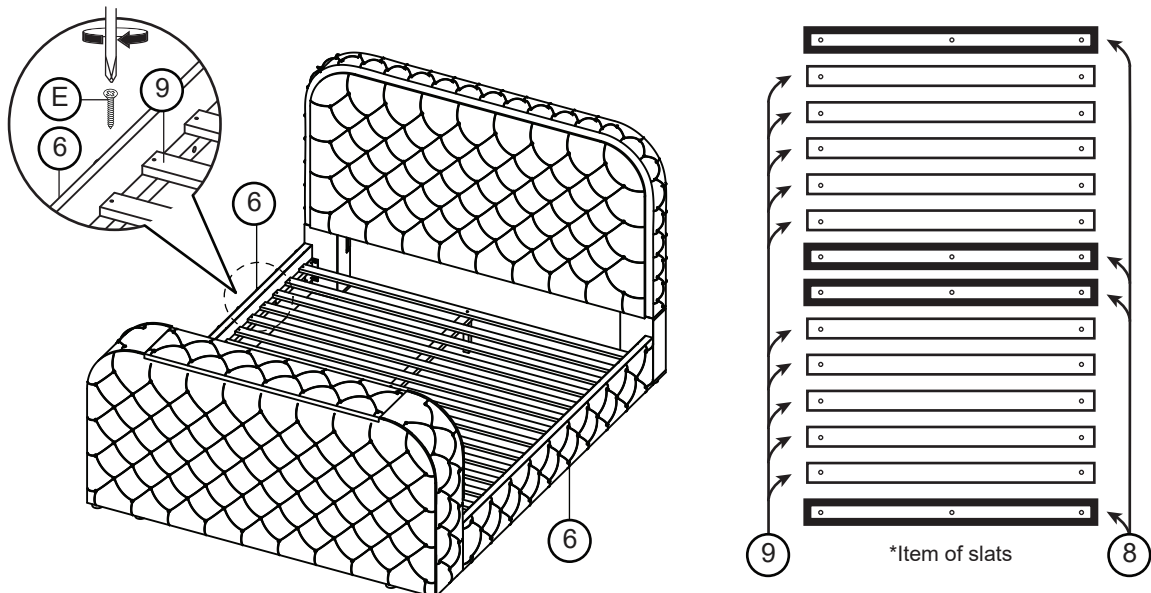
STEP: 17



STEP: 18

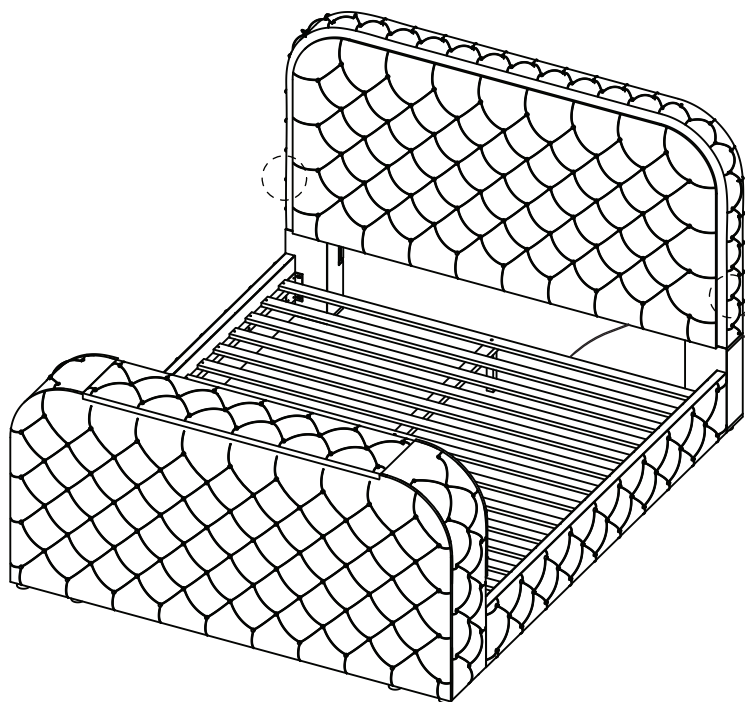


STEP: 19

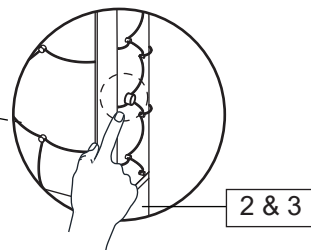


HOW TO ASSEMBLE :

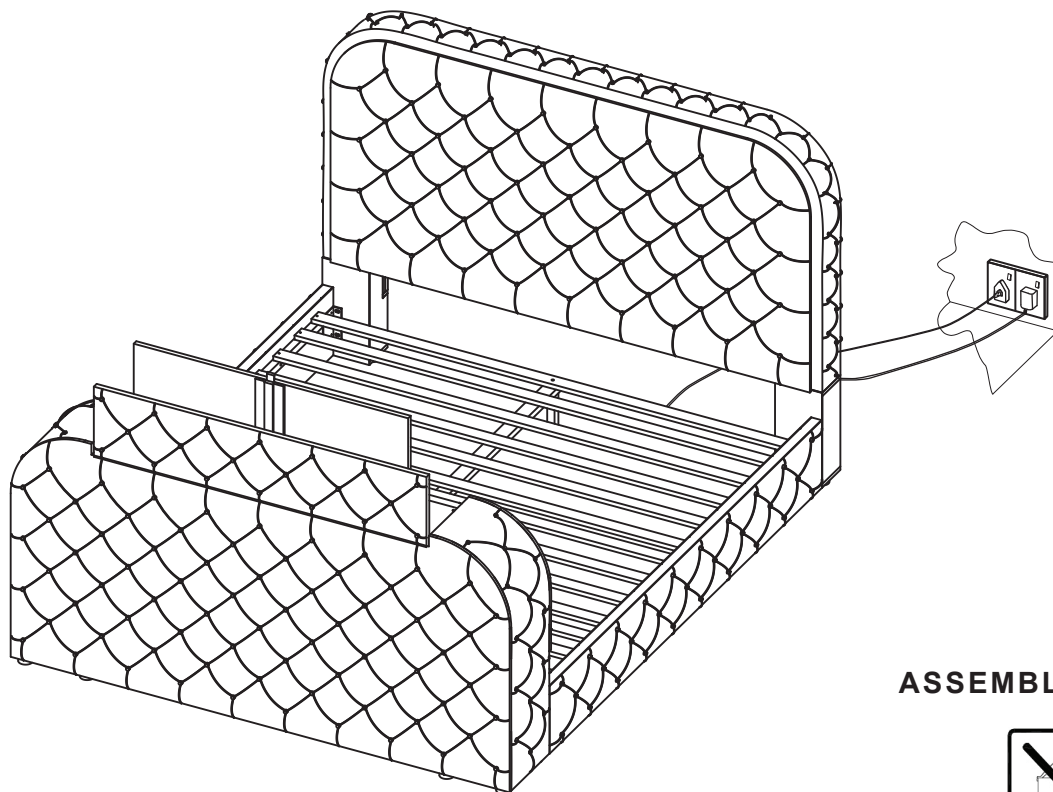
STEP: 20



NOTE:
TOUCH THE SENSOR TO SWITCH
ON THE LIGHT AND ADJUST THE
LEVEL OF BRIGHTNESS.



STEP: 21



ASSEMBLY COMPLETE

