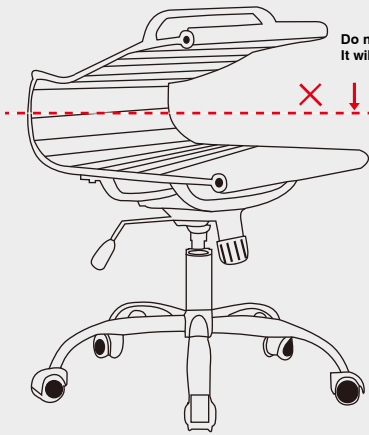


# ASSEMBLY INSTRUCTIONS

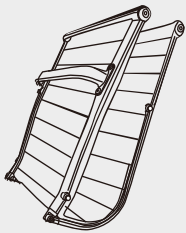


Do not press down,  
it will break down!

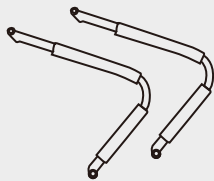
- 1: Please don't press down the backrest, or it will break.
- 2: Just open it, then you could assemble the armrests.



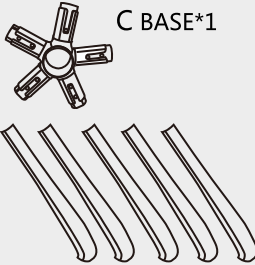
A BACK\*1



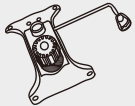
B ARMS (R)\*1(L)\*1



C BASE\*1



D MECHANISM\*1



E CASTER\*5



F GAS LIFT\*1



SCREW



G (M6\*10)\*10



H (M8\*20)\*4

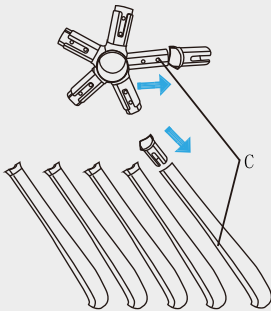


I (M8\*50)\*4



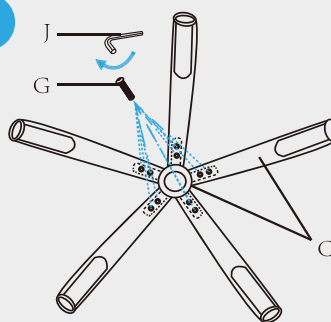
J WRENCH\*1

1

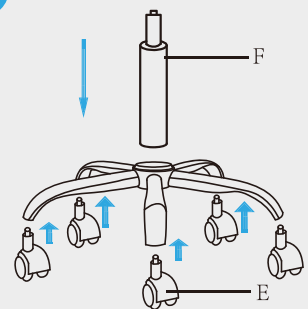


TIPS: Pull out the cover on the base, Insert the cover

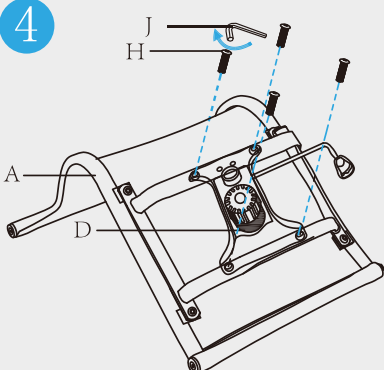
2



3



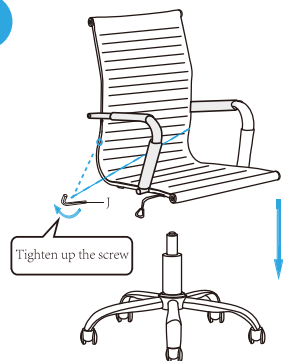
4



5



6



**NOTE: It is recommended assembly is carried out by two people.**

In order to prevent the screw losing, please tighten them after using a period of time.