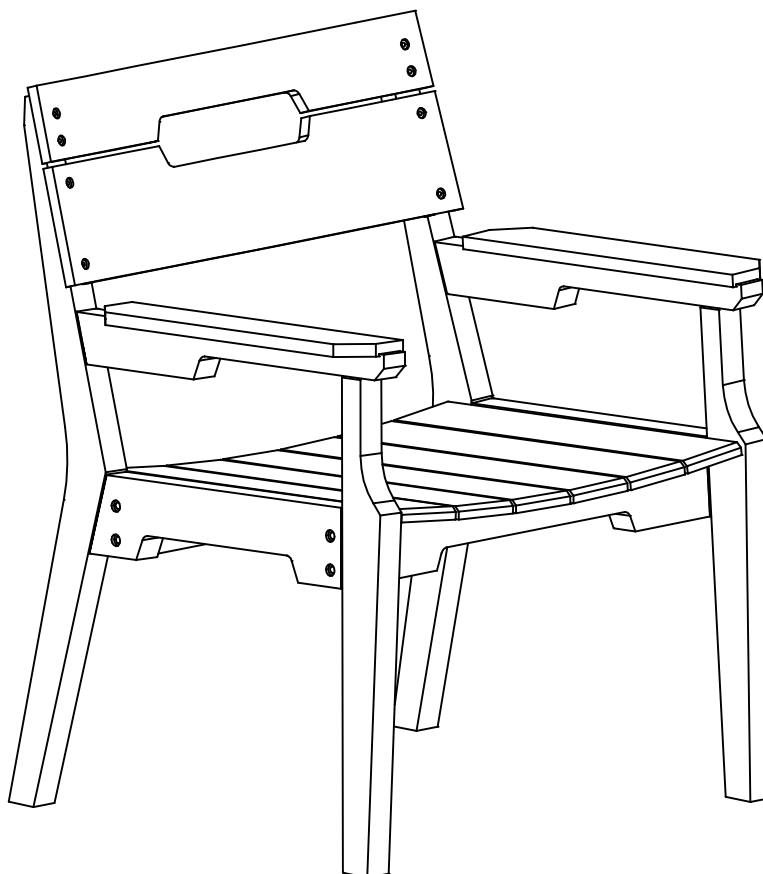
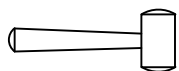


ASSEMBLY INSTRUCTIONS

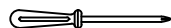
ARMCHAIR



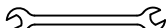
Tools Required (Not Included)



Rubber Hammer



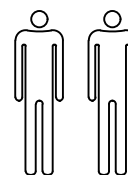
Phillips Screwdriver



Wrench

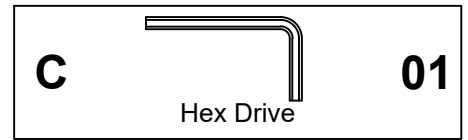
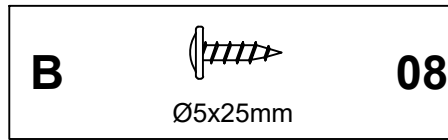
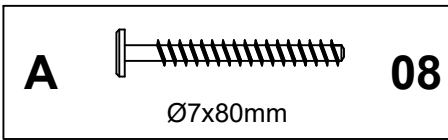


Cordless Drive (*)

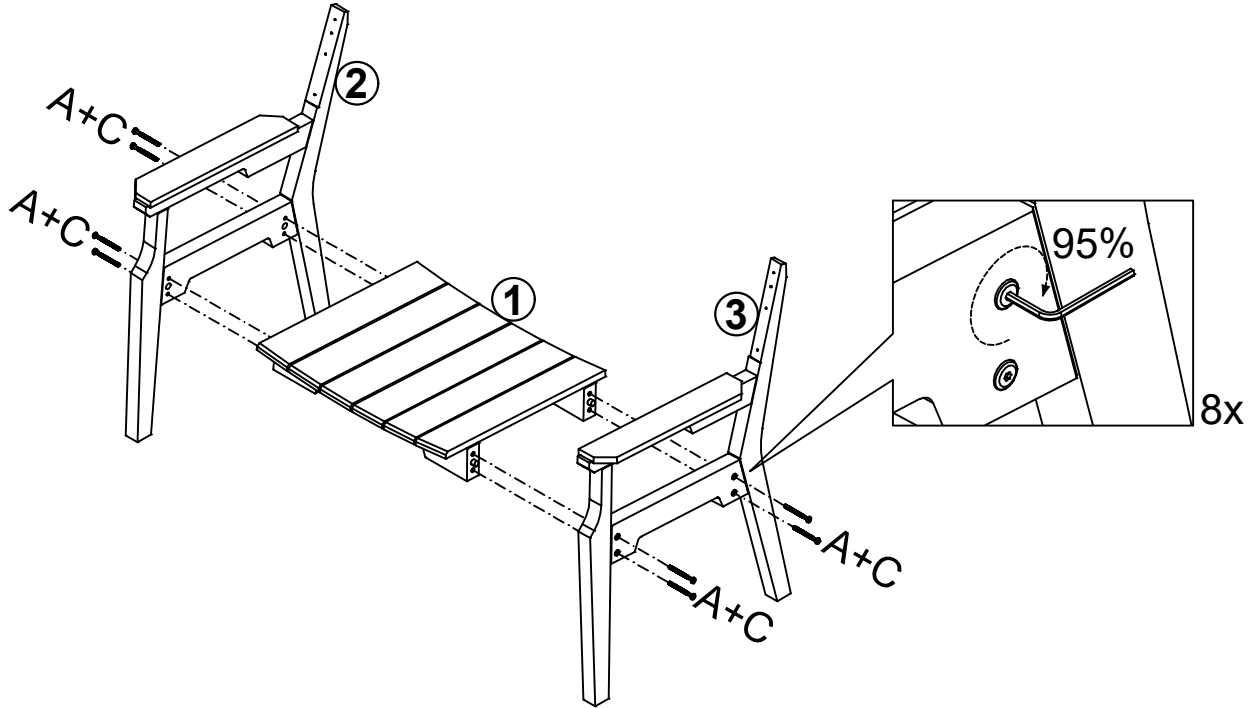
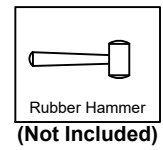
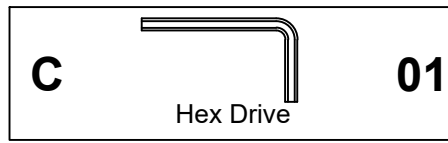
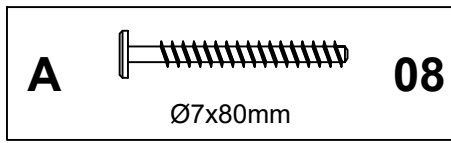


(*) NOTE: Optional - use in place of hex drive.

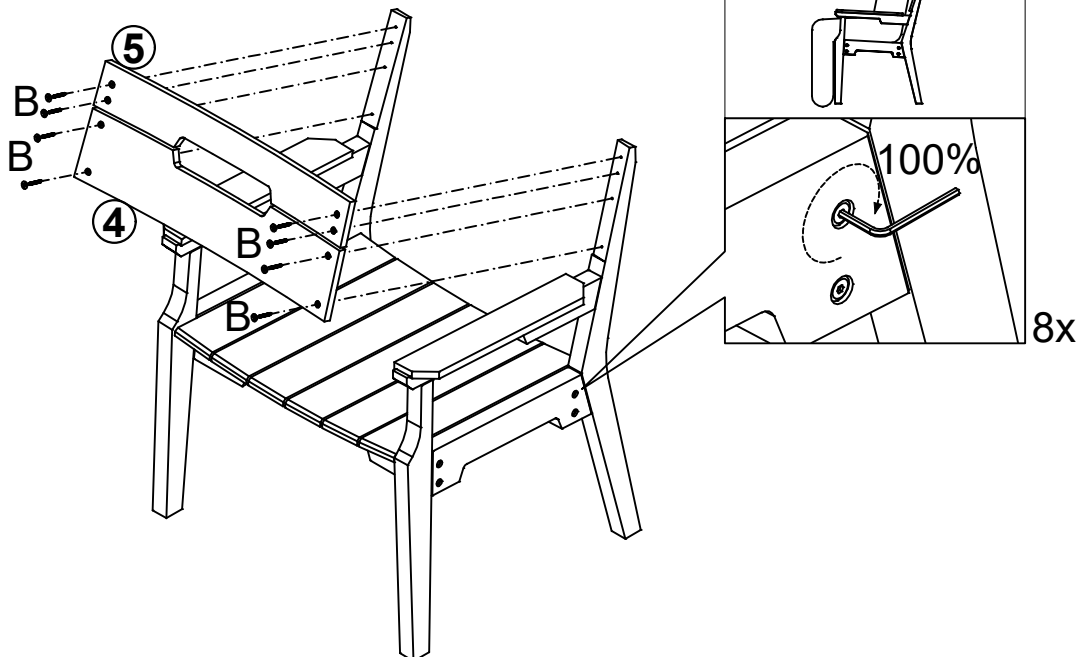
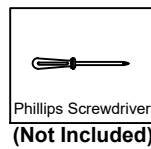
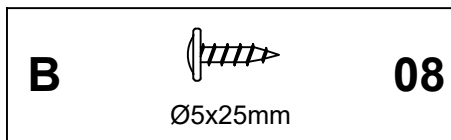
Identifying the Hardware-Identify the hardware using the illustrations below.



01

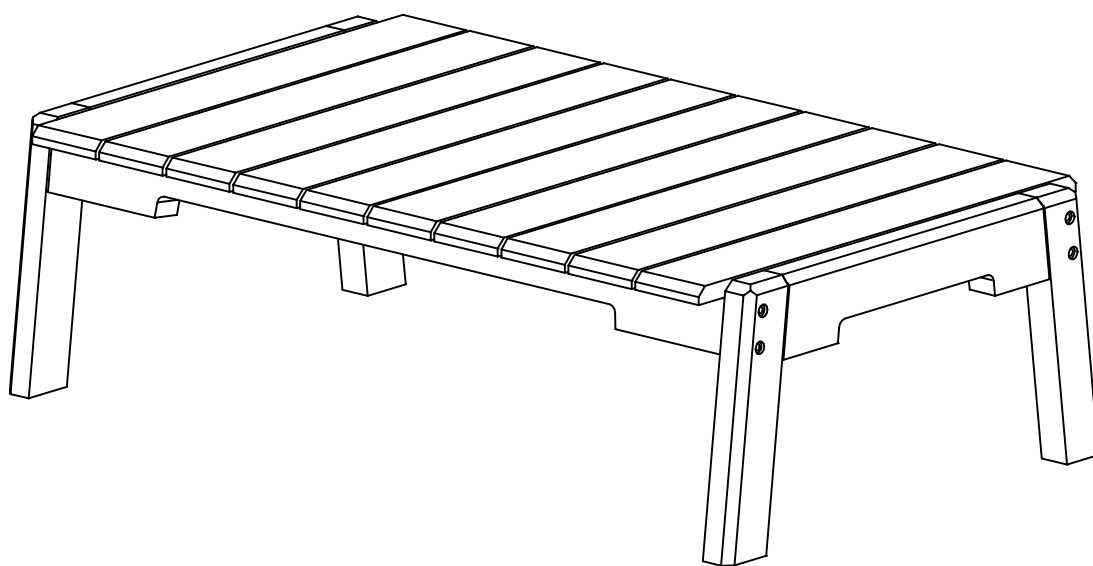


02

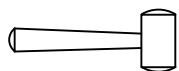


ASSEMBLY INSTRUCTIONS

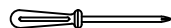
COFFEE TABLE



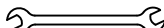
Tools Required (Not Included)



Rubber Hammer



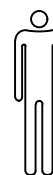
Phillips Screwdriver



Wrench

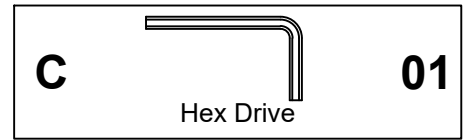
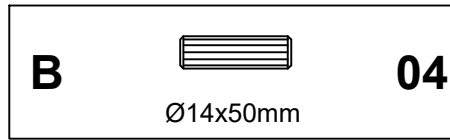
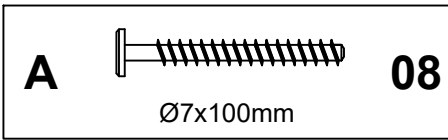


Cordless Drive (*)

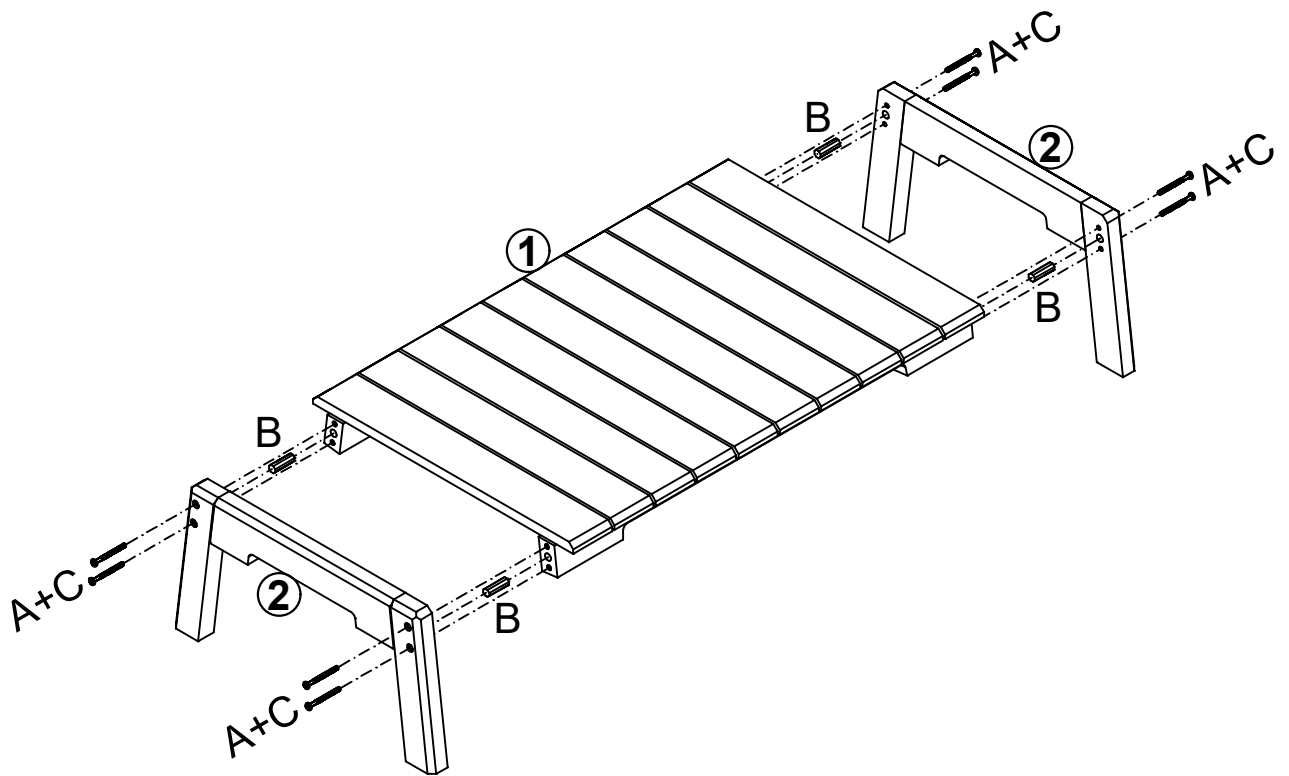
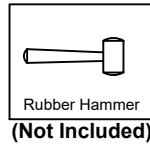
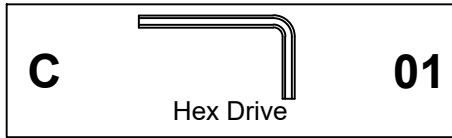
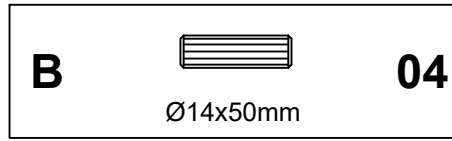
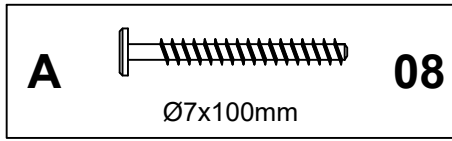


(*) NOTE: Optional - use in place of hex drive.

Identifying the Hardware-Identify the hardware using the illustrations below.

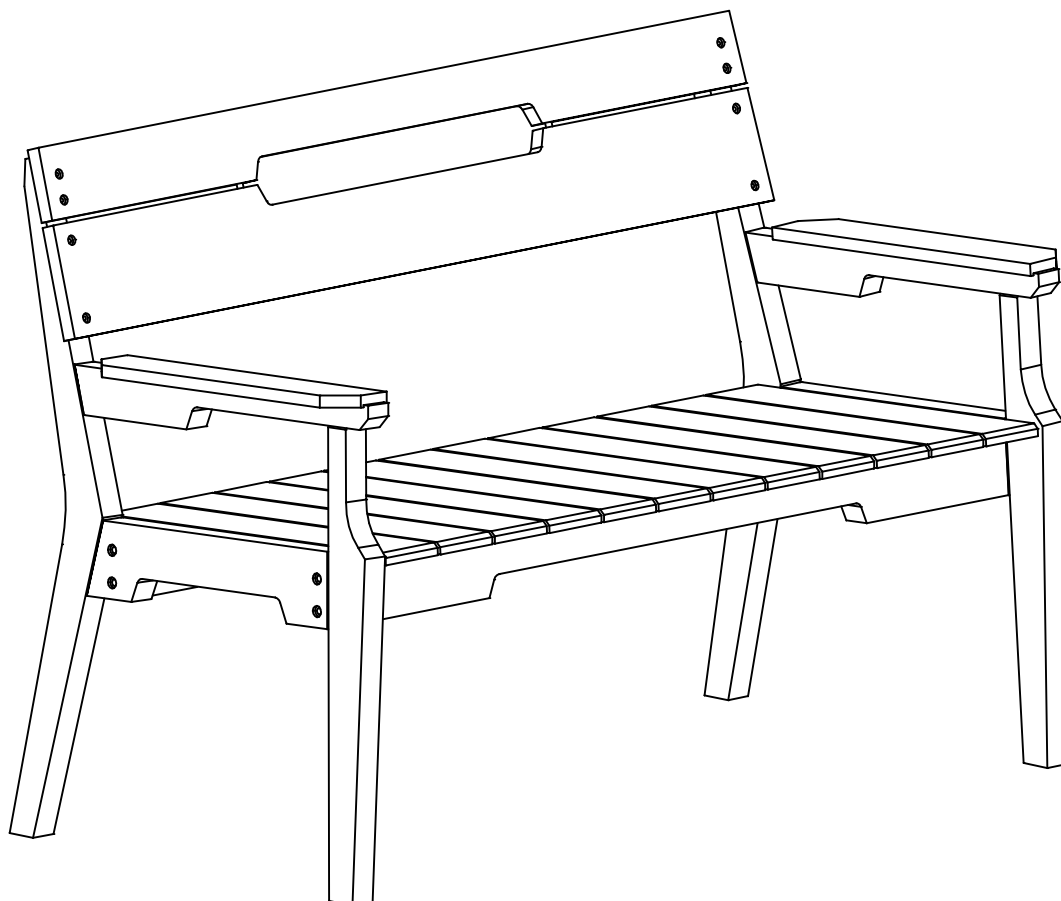


01

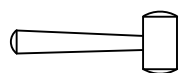


ASSEMBLY INSTRUCTIONS

2-SEAT BENCH



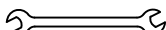
Tools Required (Not Included)



Rubber Hammer



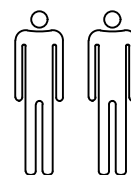
Phillips Screwdriver



Wrench

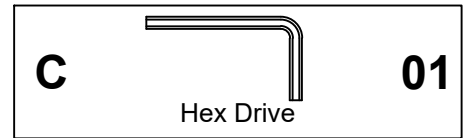
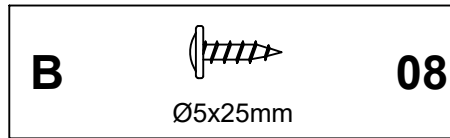
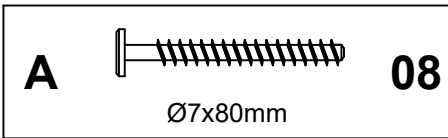


Cordless Drive (*)

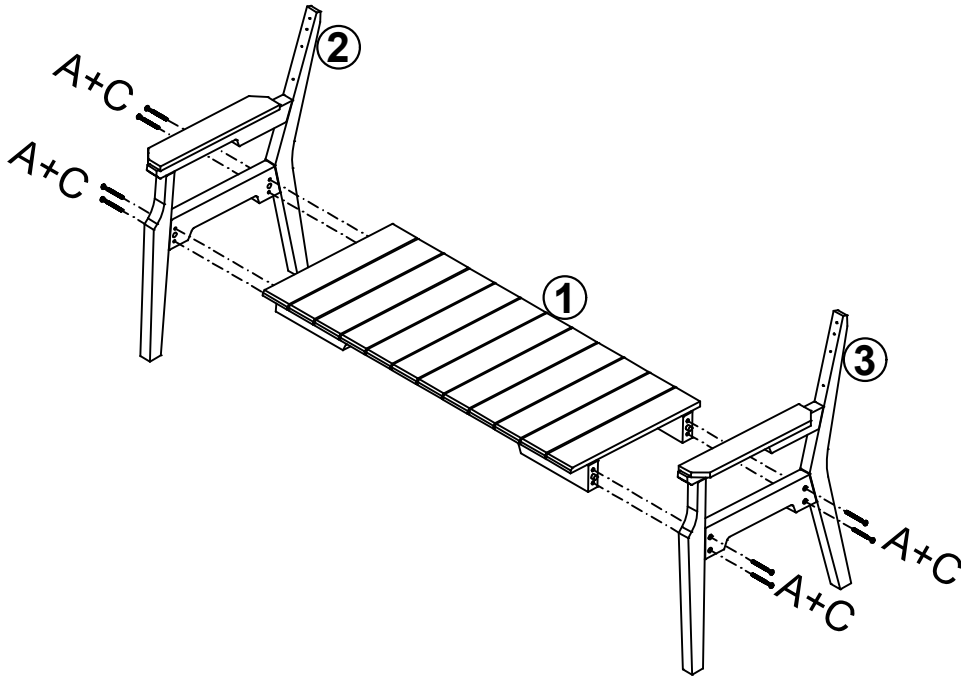
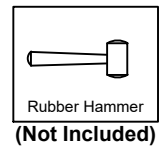
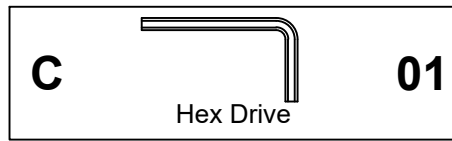
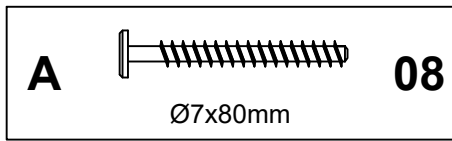


(*) NOTE: Optional - use in place of hex drive.

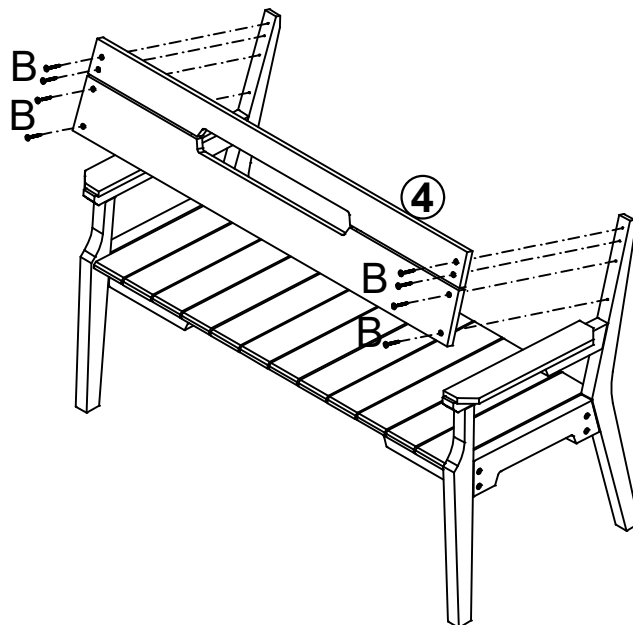
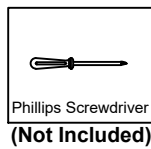
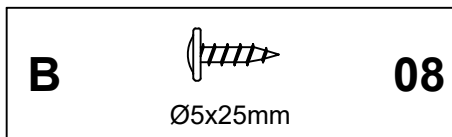
Identifying the Hardware-Identify the hardware using the illustrations below.



01

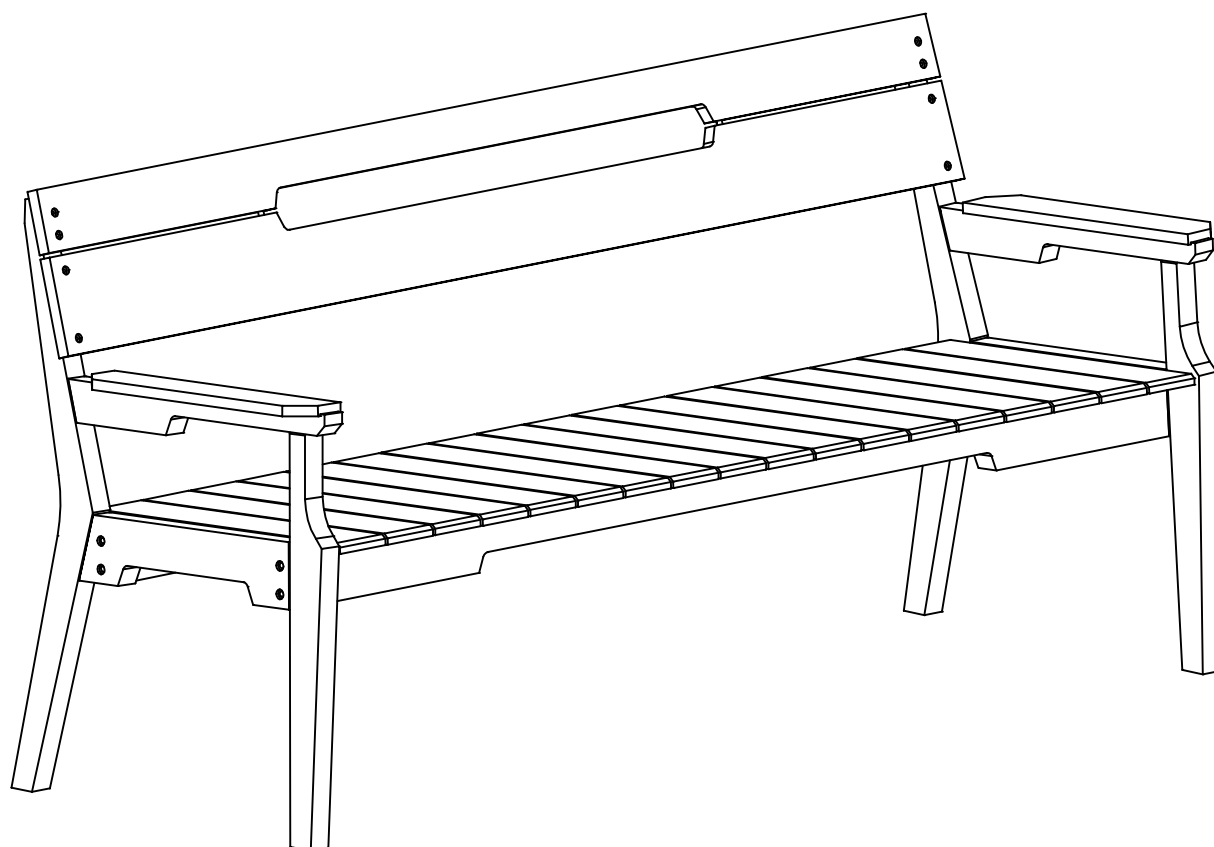


02



ASSEMBLY INSTRUCTIONS

3-SEAT BENCH



Tools Required (Not Included)



Rubber Hammer



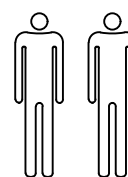
Phillips Screwdriver



Wrench

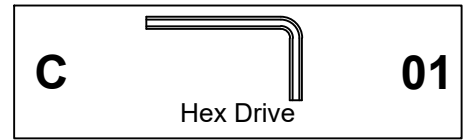
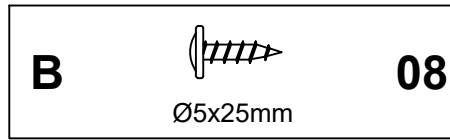
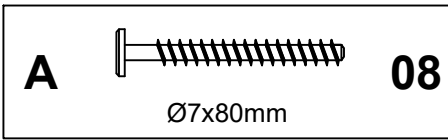


Cordless Drive (*)

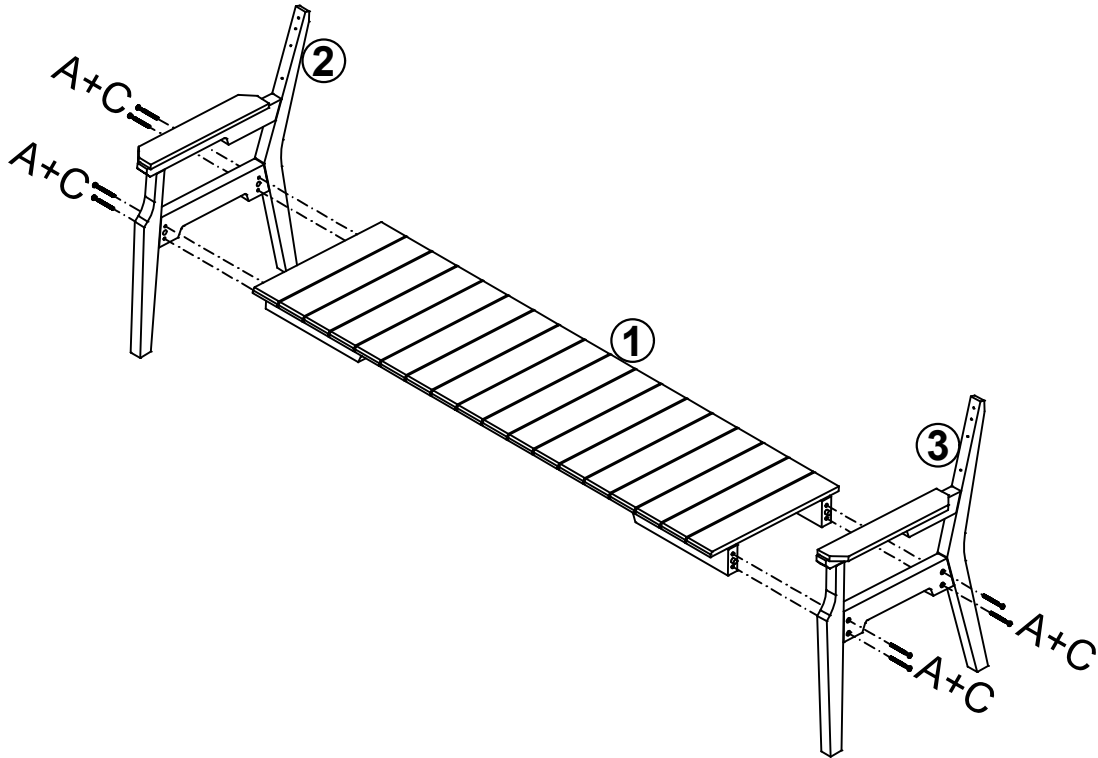
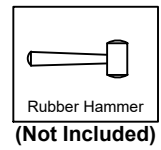
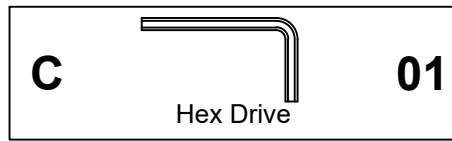
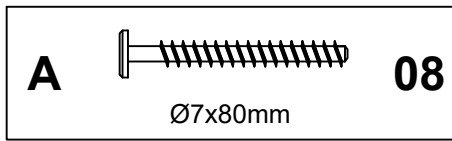


(*) NOTE: Optional - use in place of hex drive.

Identifying the Hardware-Identify the hardware using the illustrations below.



01



02

