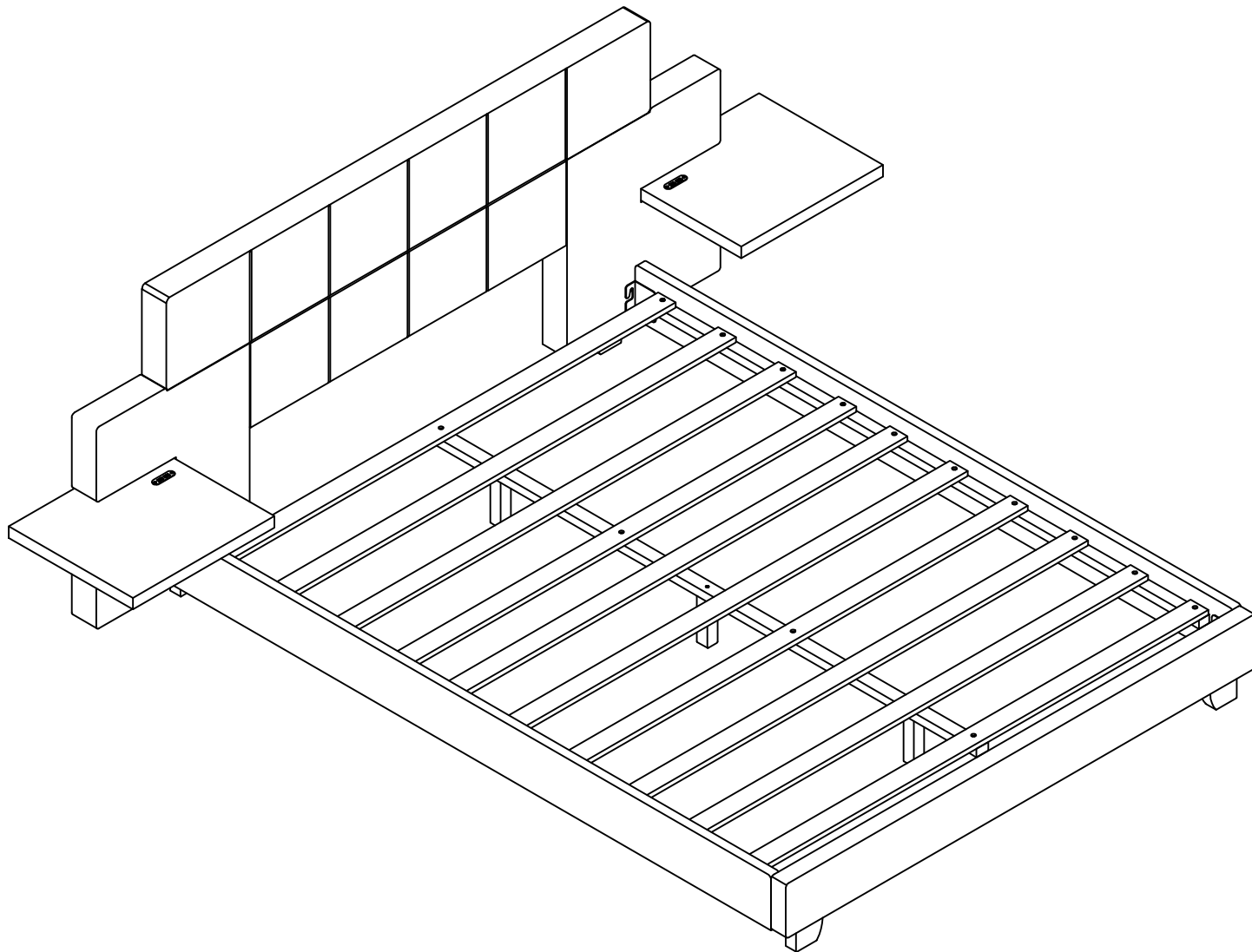


ASSEMBLY INSTRUCTIONS

WF306677/WF306678



IMPORTANT NOTE

****PLACE ALL PARTS ON A CLEAN AND SMOOTH SURFACE SUCH AS A RUG OR CARPET TO**

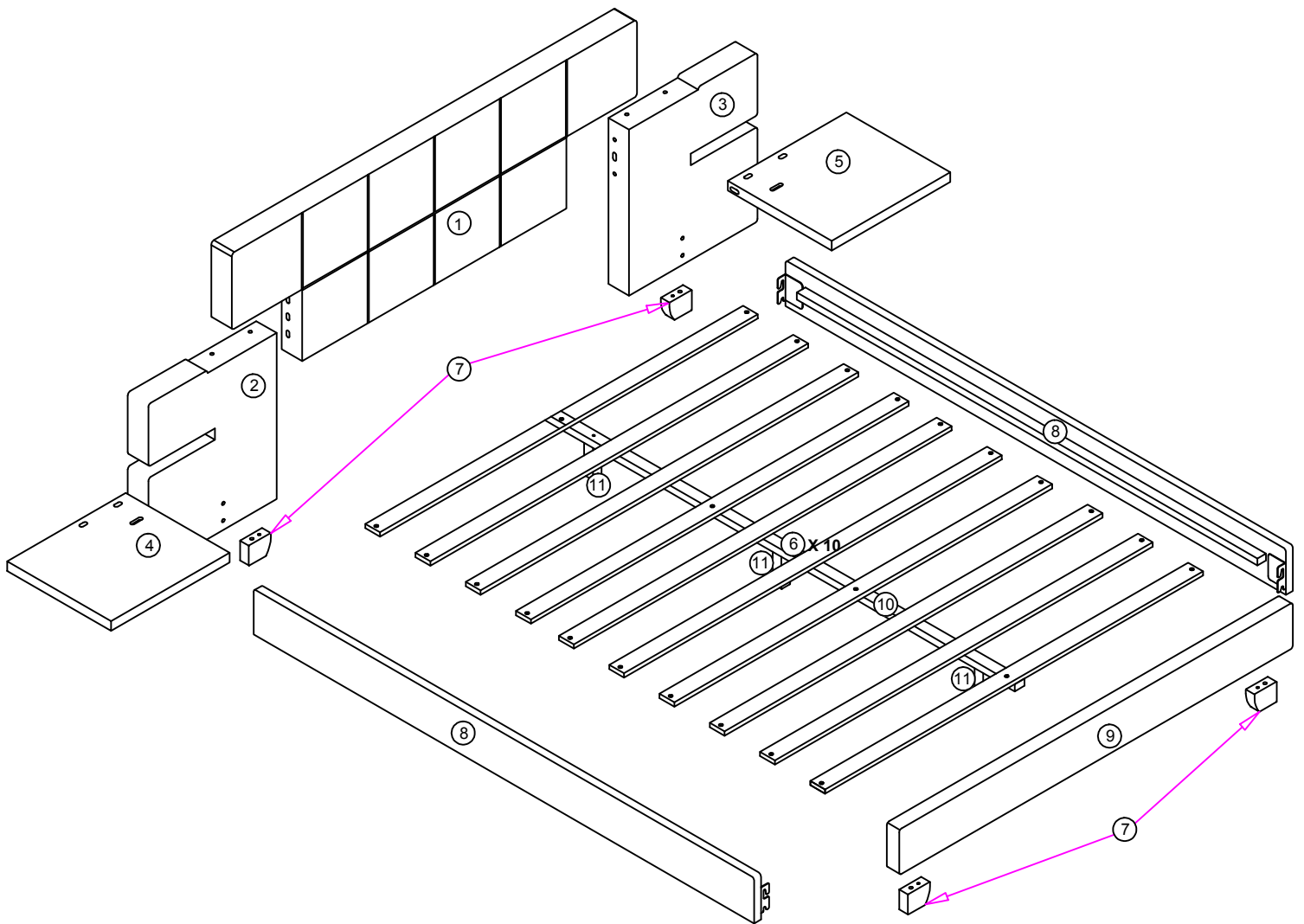
AVOID THE PARTS FROM BEING SCRATCHED

**** BEFORE YOU BEGIN , KINDY FOLLOW THE ASSEMBLY INSTRUCTIONS STEP BY STEP**

****DO NOT TIGHTEN ALL SCREWS AND BOLTS UNTIL THE BED IS FULLY SET-UP**

ASSEMBLY INSTRUCTIONS

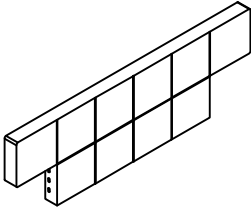
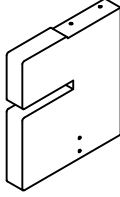
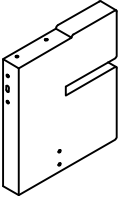
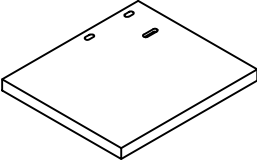
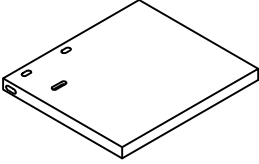
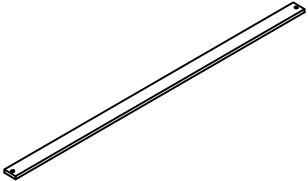
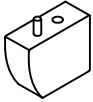
WF306677/WF306678



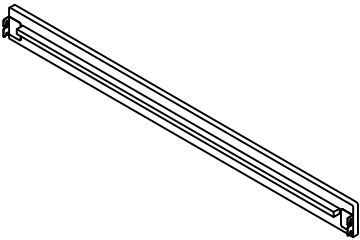
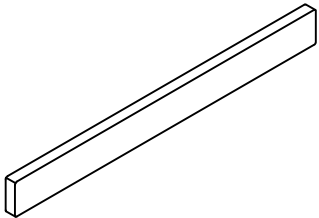
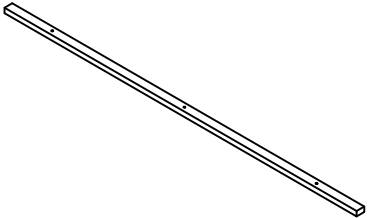

ASSEMBLY INSTRUCTIONS

WF306677/WF306678

PART LIST BOX 1:WF306677

<p>1</p>  <p>Headboard Panel (1 pcs)</p>	<p>2</p>  <p>Left Headboard Leg (1 pcs)</p>	<p>3</p>  <p>Right Headboard Leg (1 pcs)</p>
<p>4</p>  <p>Left Table (1 pcs)</p>	<p>5</p>  <p>Right Table (1 pcs)</p>	<p>6</p>  <p>Roll Slat (10 pcs)</p>
<p>7</p>  <p>Leg (4 pcs)</p>		

PART LIST BOX 2:WF306678

<p>8</p>  <p>Lower Rail (2 pcs)</p>	<p>9</p>  <p>Footboard Panel (1 pcs)</p>	<p>10</p>  <p>Center Rail(1 pcs)</p>
<p>11</p>  <p>Support leg (3 pcs)</p>		

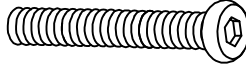
ASSEMBLY INSTRUCTIONS

WF306677/WF306678

HARDWARE LIST IN:WF306677

A

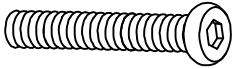
Short Bolt (8 pcs)
(Ø 5/16 "X25mm)

B

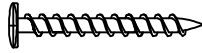
Long Bolt (4 pcs)
(Ø 5/16 "X55mm)

C

Long Bolt (8 pcs)
(Ø 5/16 "X38mm)

D

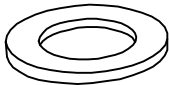
Long Bolt (4 pcs)
(Ø 5/16 "X90mm)

E

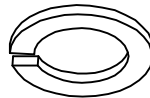
Flat Head Screw (24 pcs)
(m4x30mm-RBW)

F

Allen Wrench (1 pc)
(M4x75mm x32mm)

G

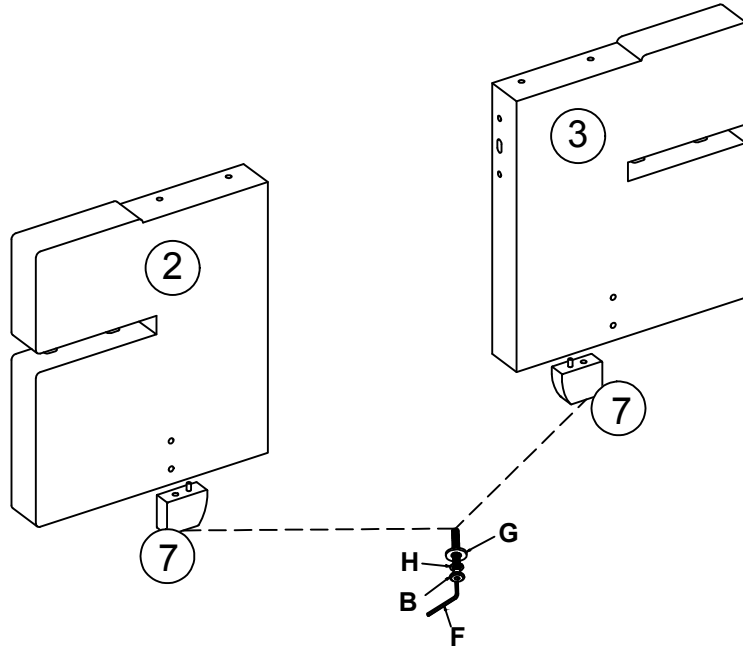
Flat Washer (24 pcs)
(Ø 5/16 "-RBW)





H

Spring Washer (24 pcs)
(Ø 5/16 "-RBW)

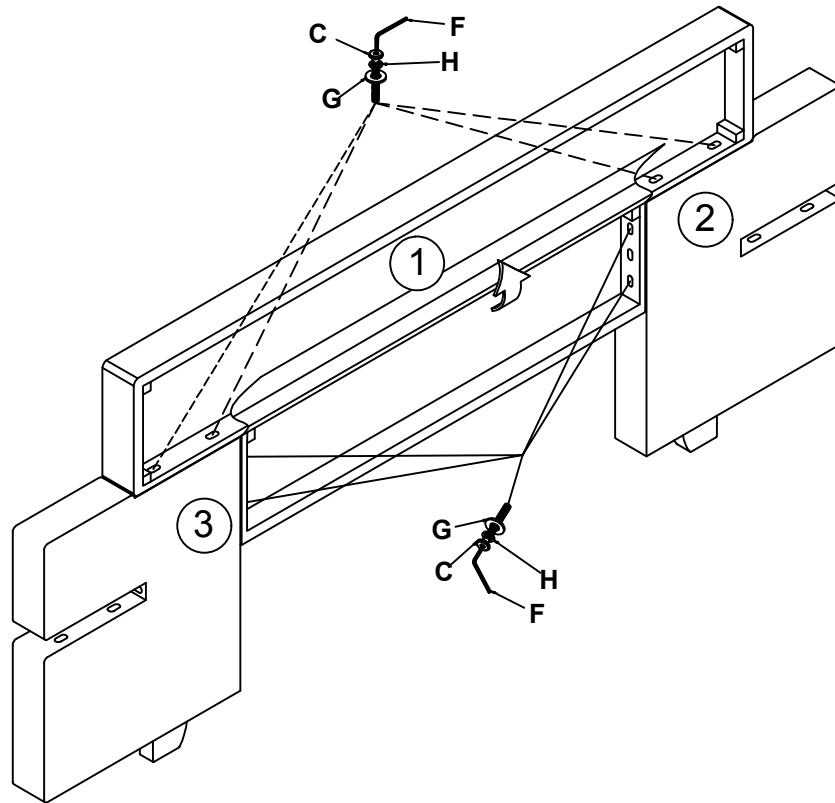
ASSEMBLY INSTRUCTIONS





STEP 1



B	Bolt (Ø 5/16 "X55mm)		2pcs	G	Flat Washer (Ø 5/16 "-RBW)		2pcs
F	Allen Wrench (M4x75mm x32mm)		1pc	H	Spring Washer (Ø 5/16 "-RBW)		2pcs

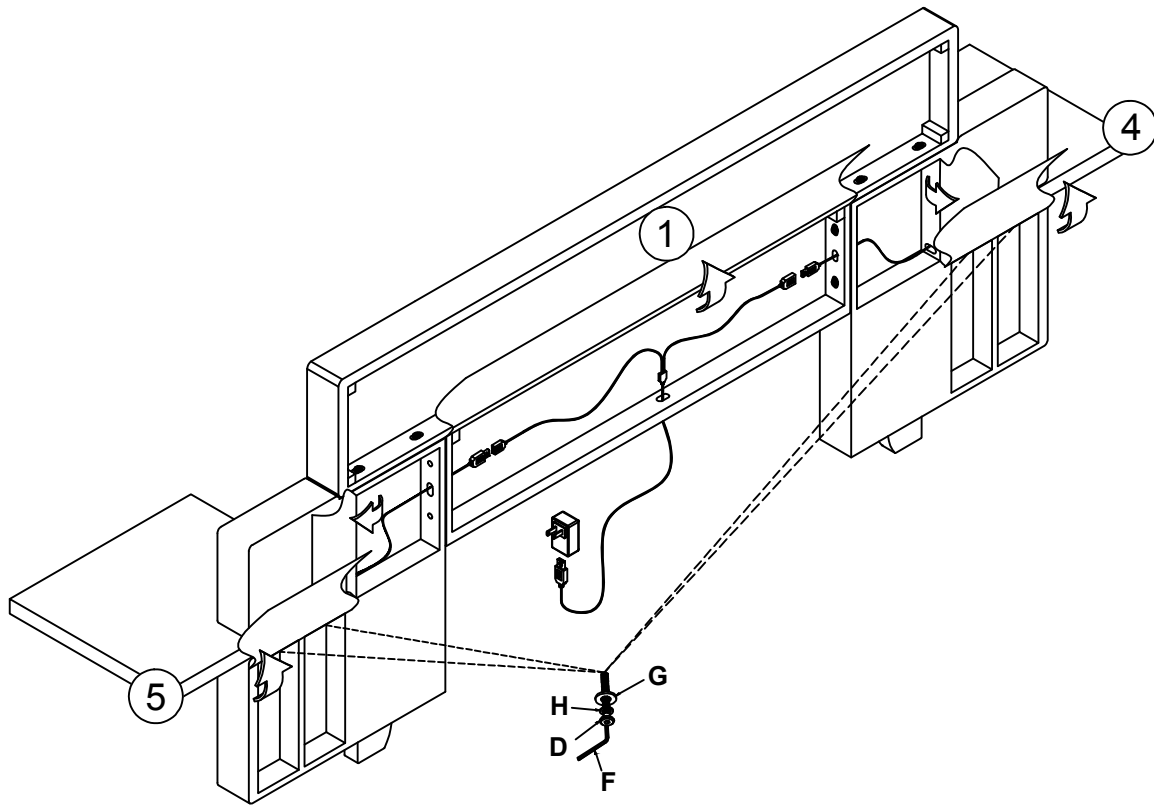
STEP 2







C		(Ø 5/16 "X38mm)	8pcs	G		(Ø 5/16 "-RBW)	8pcs
F		(M4x75mm x32mm)	1pc	H		(Ø 5/16 "-RBW)	8pcs

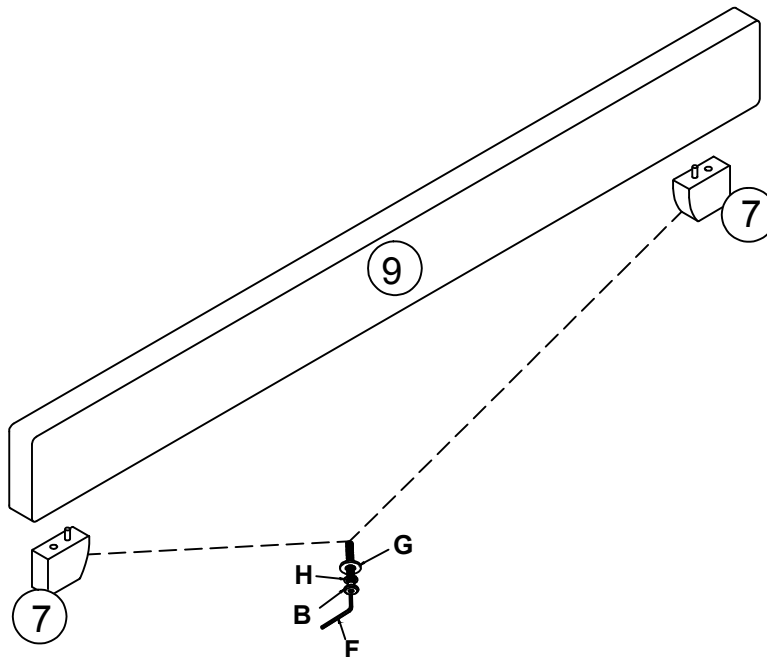
ASSEMBLY INSTRUCTIONS





STEP 3



D	Bolt (Ø 5/16 "x90mm)		4pcs	G	Flat Washer (Ø 5/16 "-RBW)		4pcs
F	Allen Wrench (M4x75mm x32mm)		1pc	H	Spring Washer (Ø 5/16 "-RBW)		4pcs

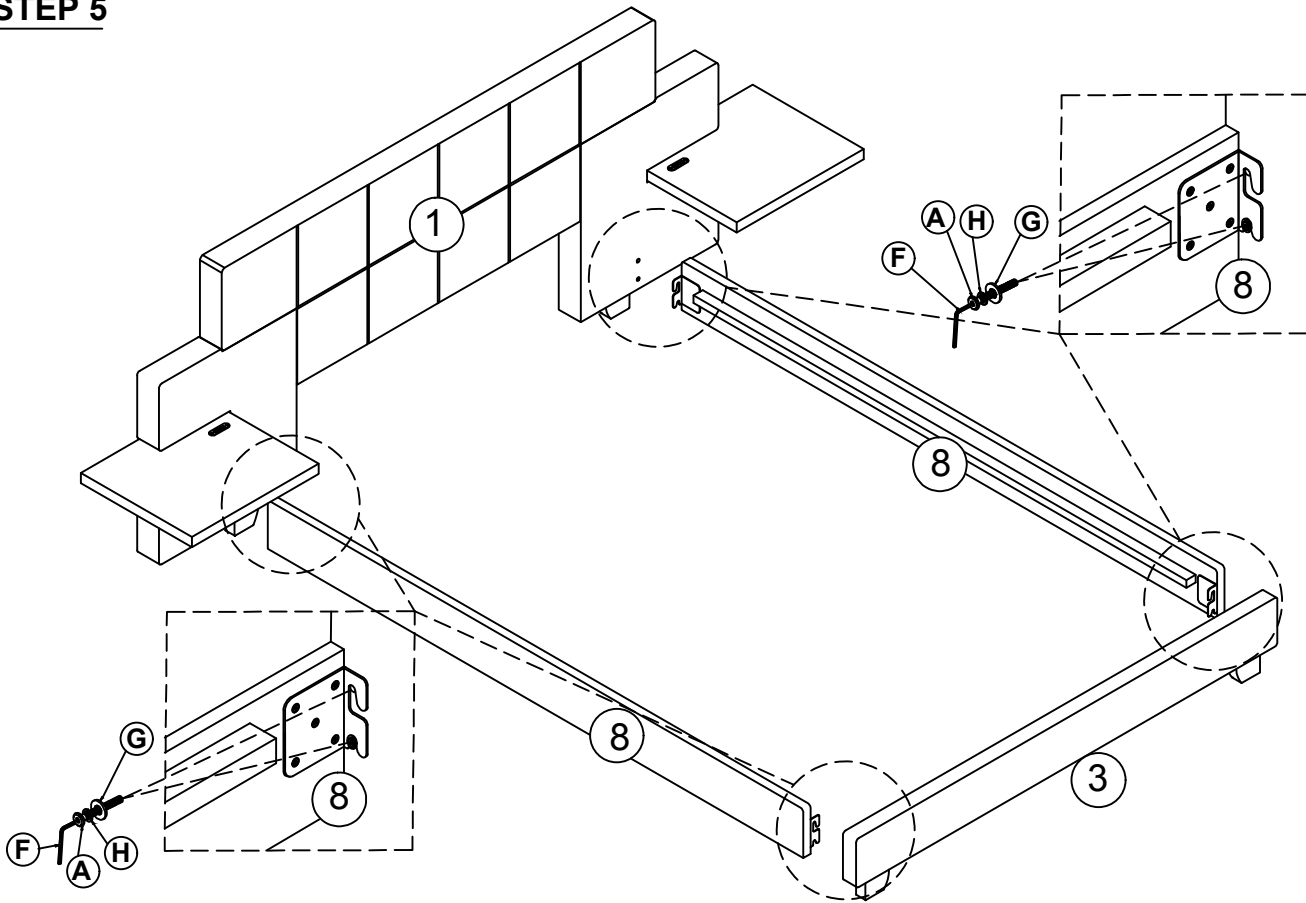
STEP 4







B	Bolt (Ø 5/16 "x55mm)		2pcs	G	Flat Washer (Ø 5/16 "-RBW)		2pcs
F	Allen Wrench (M4x75mm x32mm)		1pc	H	Spring Washer (Ø 5/16 "-RBW)		2pcs

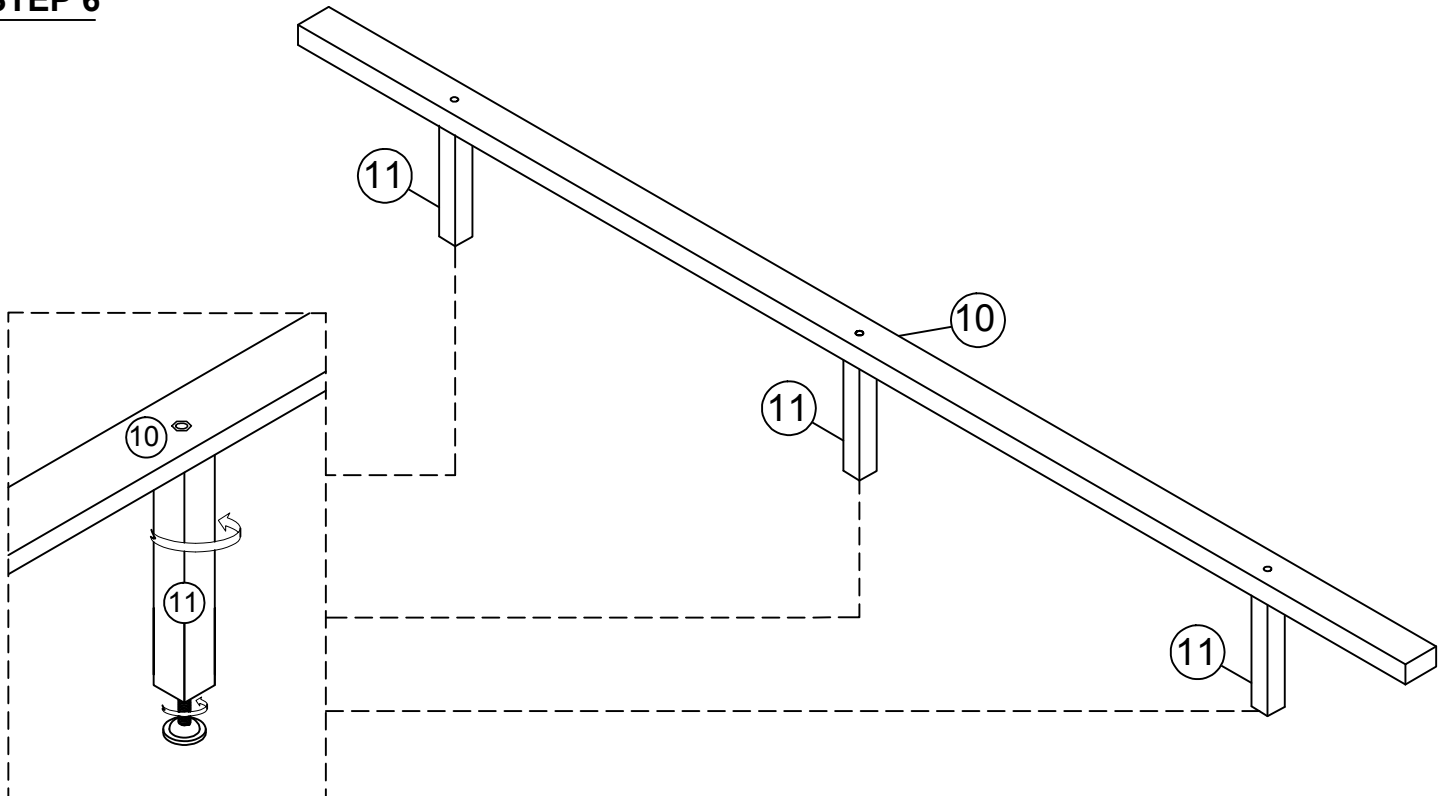
ASSEMBLY INSTRUCTIONS

STEP 5



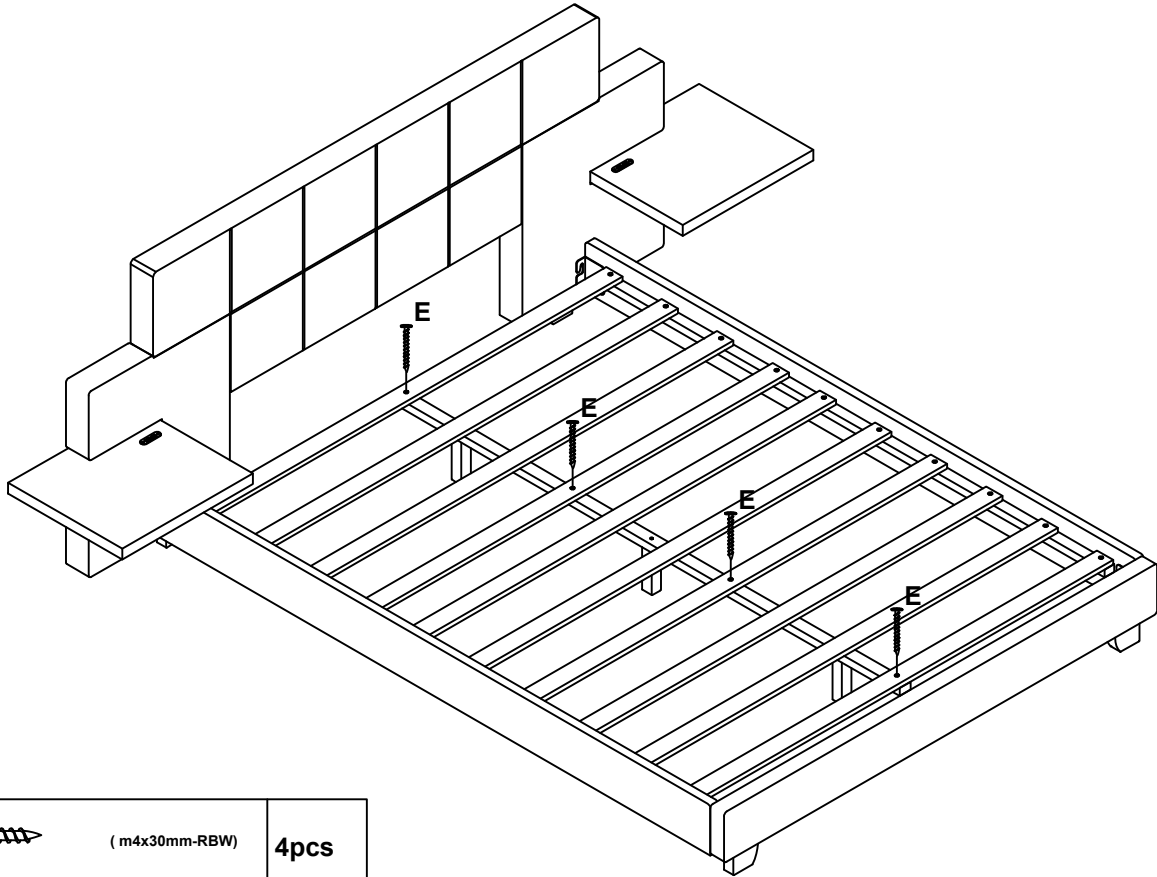
A	Bolt (Ø 5/16 "x25mm)		8pcs	G	Flat Washer (Ø 5/16 "-RBW)		8pcs
F	Allen Wrench (M4x75mm x32mm)		1pc	H	Spring Washer (Ø 5/16 "-RBW)		8pcs

STEP 6



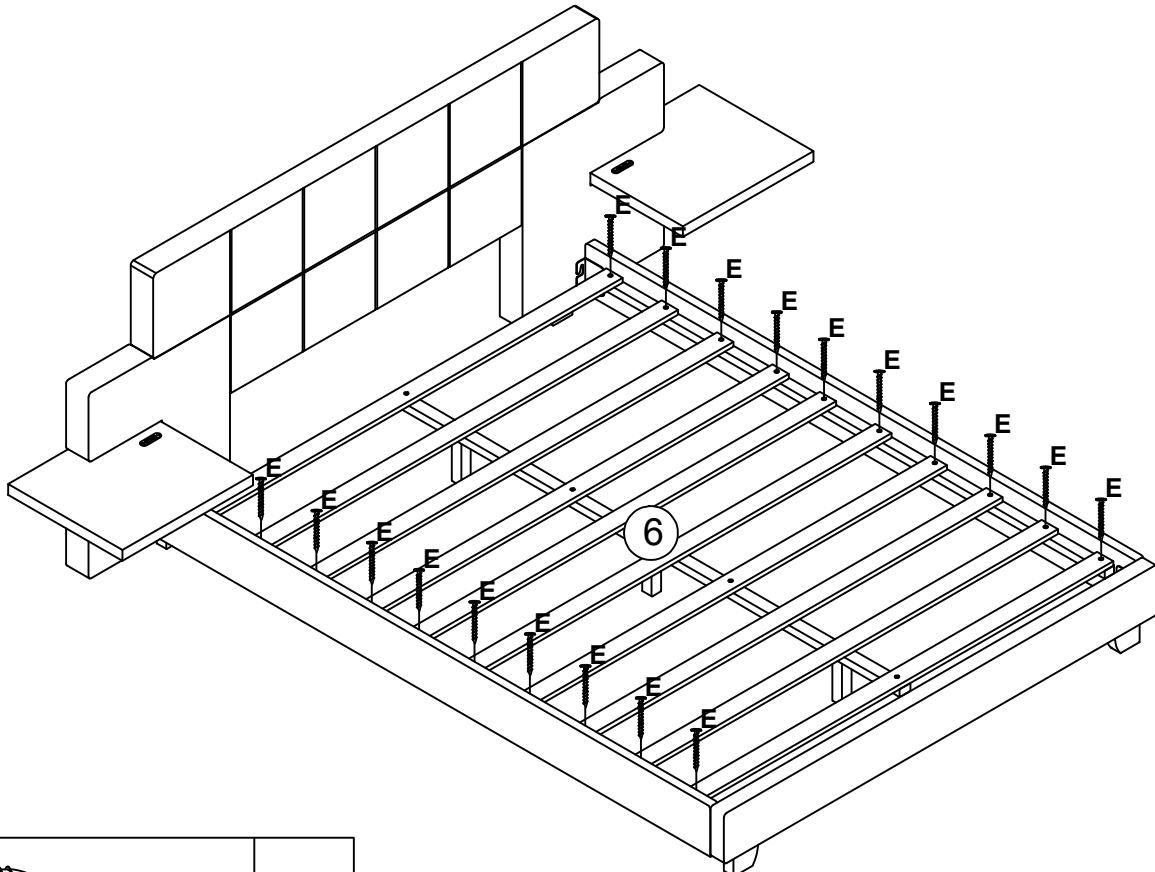
ASSEMBLY INSTRUCTIONS

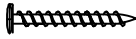
STEP 7



E		(m4x30mm-RBW)	4pcs
---	-------------------------------------------------------------------------------------	---------------	------

STEP 8



E		(m4x30mm-RBW)	20pcs
---	-------------------------------------------------------------------------------------	---------------	-------

ASSEMBLY INSTRUCTIONS

STEP 9

COMPLETE

