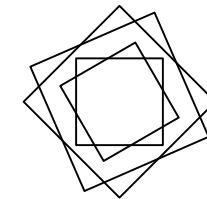
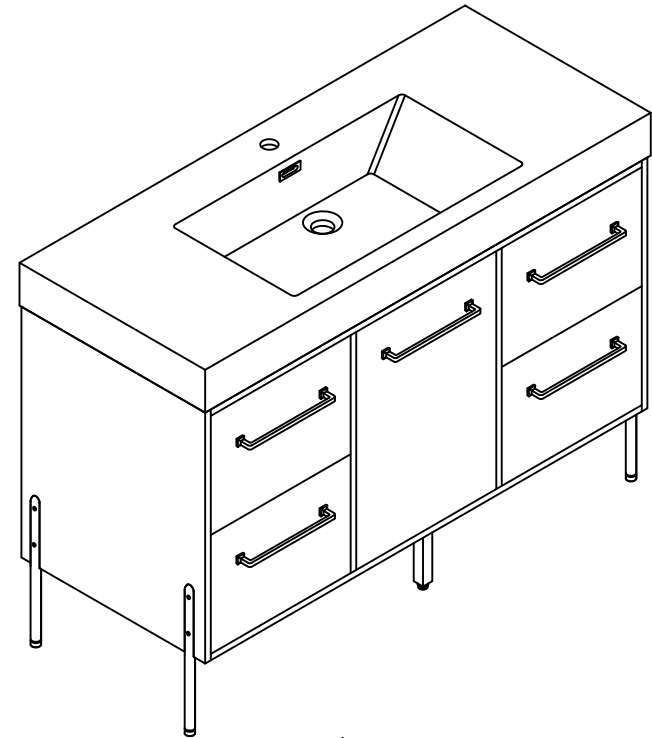


THANKS FOR WATCHING

Your feedback is invaluable to us and we would love to hear about your experience. Please take the time to leave us a review.


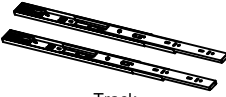
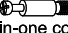



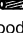

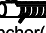


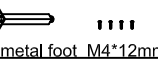


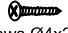

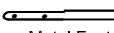





Thank you for shopping with us!

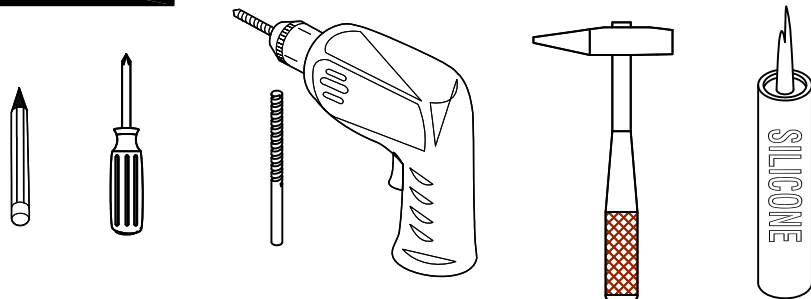
We encourage you to take a few minutes to go through this booklet. It contains important information on installation and care tips to keep your furniture looking as good as new.

Item NO.:BV B11048

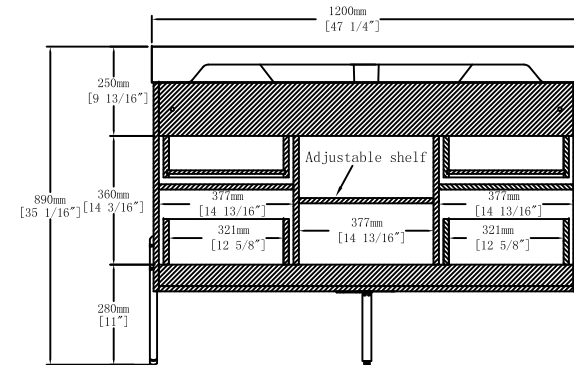
Hardware

NO.	Draw	QTY	NO.	Draw	QTY
A	 Screws Ø4x14mm	72	L	 Track	4
B	 Two-in-one connector	77	M	 Handle(L = 241mm)	5
C	 Two-in-one connector	77	N	 Screws M4x18mm	10
D	 Wood plug	4	O	 Hinges(Internal hiding)	2
E	 Plastic anchor(Ø10mm)	2	P	 Door stopper	1
F	 Screws for fix on the wall	2	Q	 Middle metal foot M4*12mm	1
G	 Bracket (53x70x44mm)	2	R	 Movable laminate support	4
H	 Screws Ø4x25mm	2	S	 Anti-collision gasket	10
I	 Metal Feet	4	T	 Screwdriver	1
J	 Screws M4x16mm	8			
K	 Screws Ø4x20mm	12			

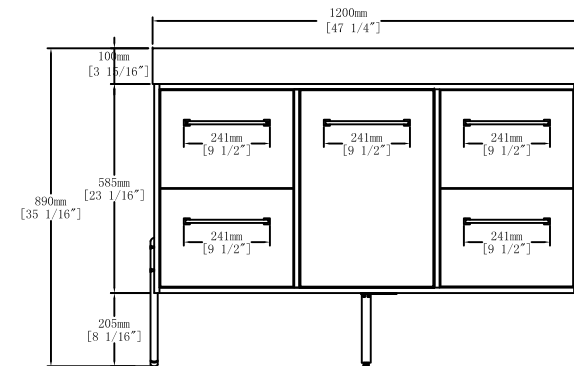
Recommended tools



Dimensions



Back View

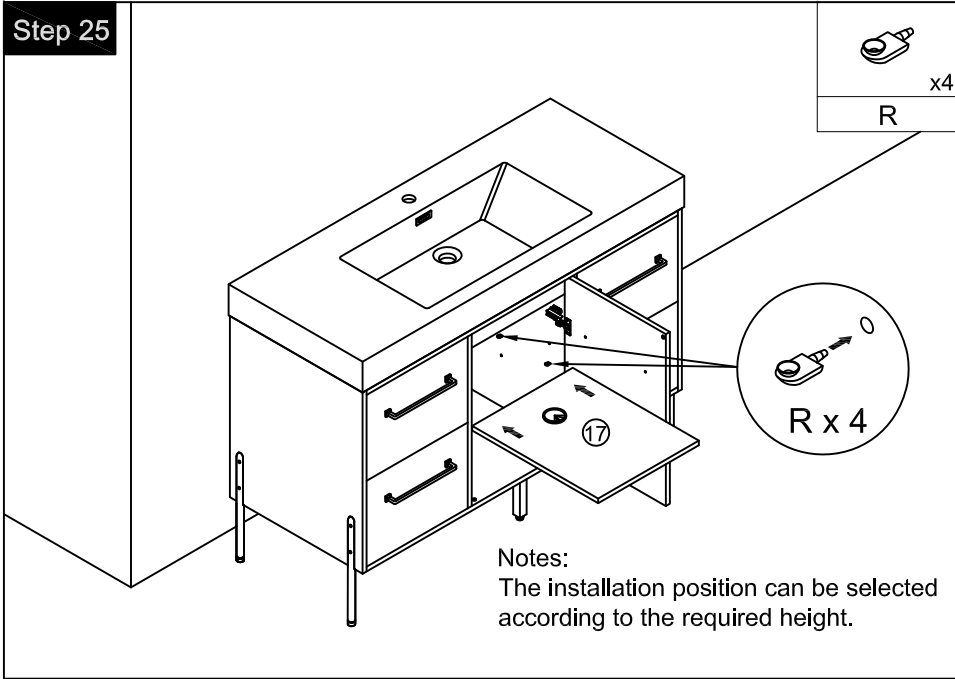


Front View

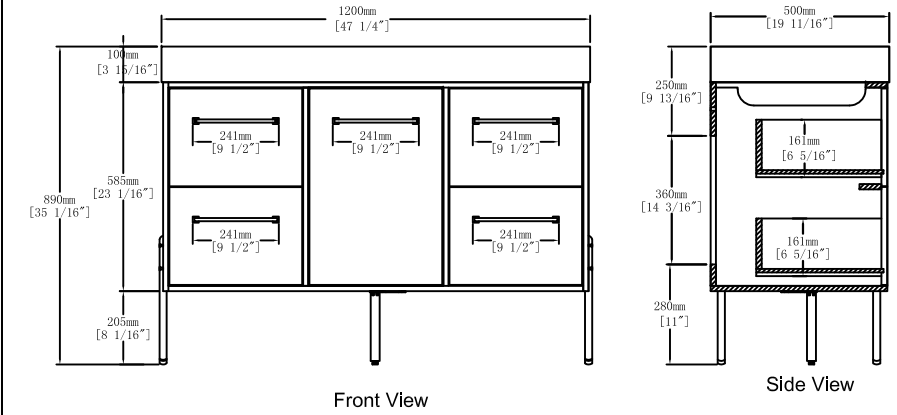
CARE CLEANING AND MAINTENANCE

1. Dust regularly with a soft , dry cloth.
2. Avoid the use of all chemicals household cleaners, abrasives, or cleaners that contain lemon, vinegar, or other acids that may damage the finish.
3. Excessive exposure to sunlight and extreme changes in temperature and moisture can damage wood furniture.
4. The sink is fragile, please pay attention to maintaining its appearance.
5. Do not place hot appliances, such as curling irons and hot hair dryers directly on the countertop. Wipe spills immediately.

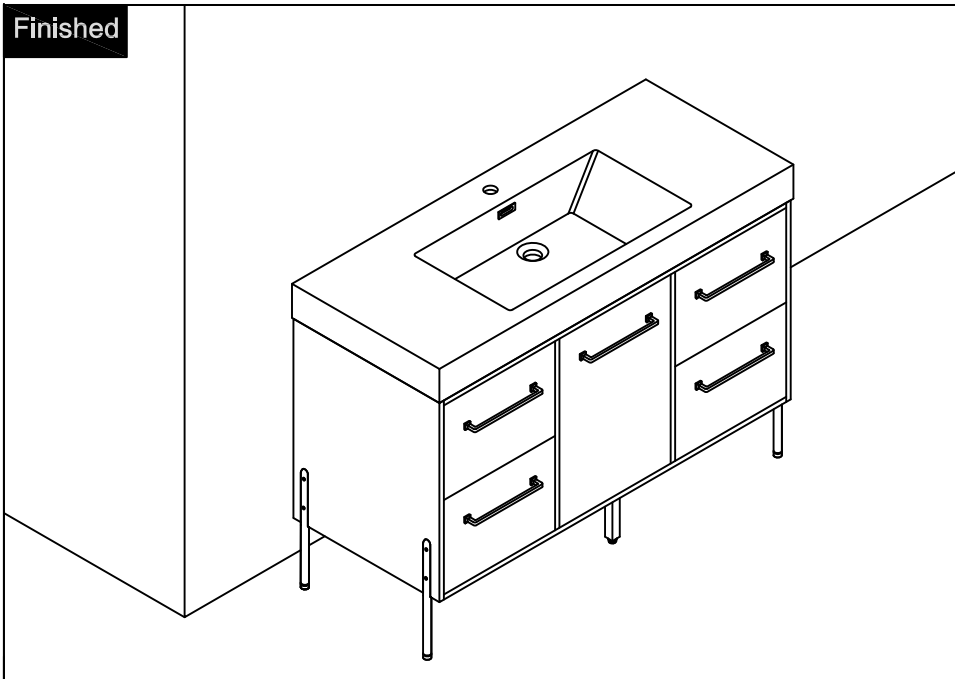
Step 25



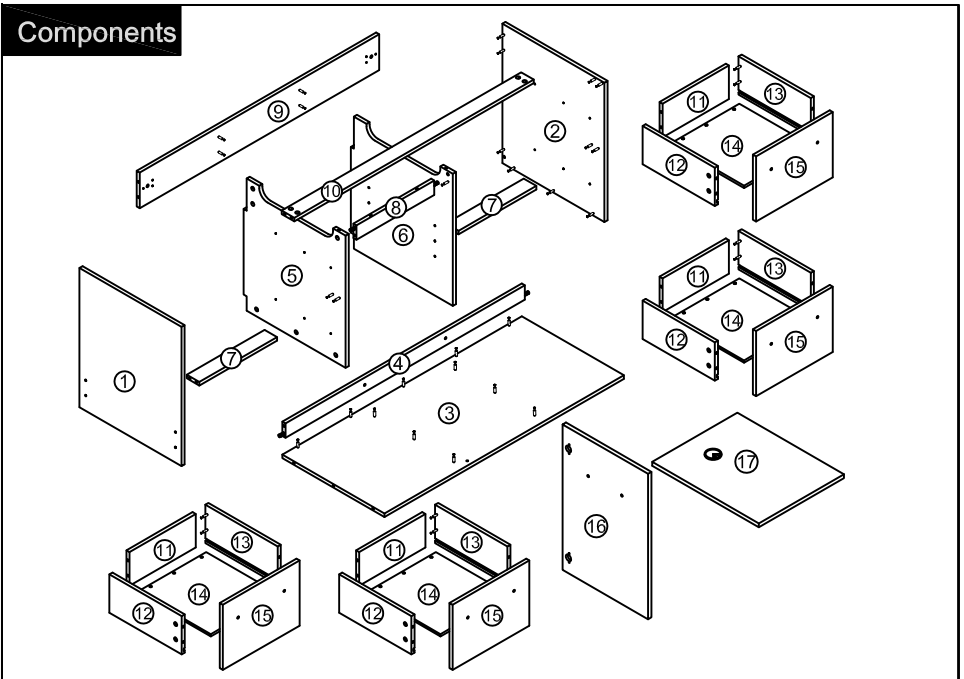
Dimensions



Finished



Components



Step 1

Attention: Cam lock arrow point to the steel rod.

Notes: Screw installation depth as shown

- Screw x5
- B x2
- C x5
- T

Step 2

Note: The D parts are used for these two holes

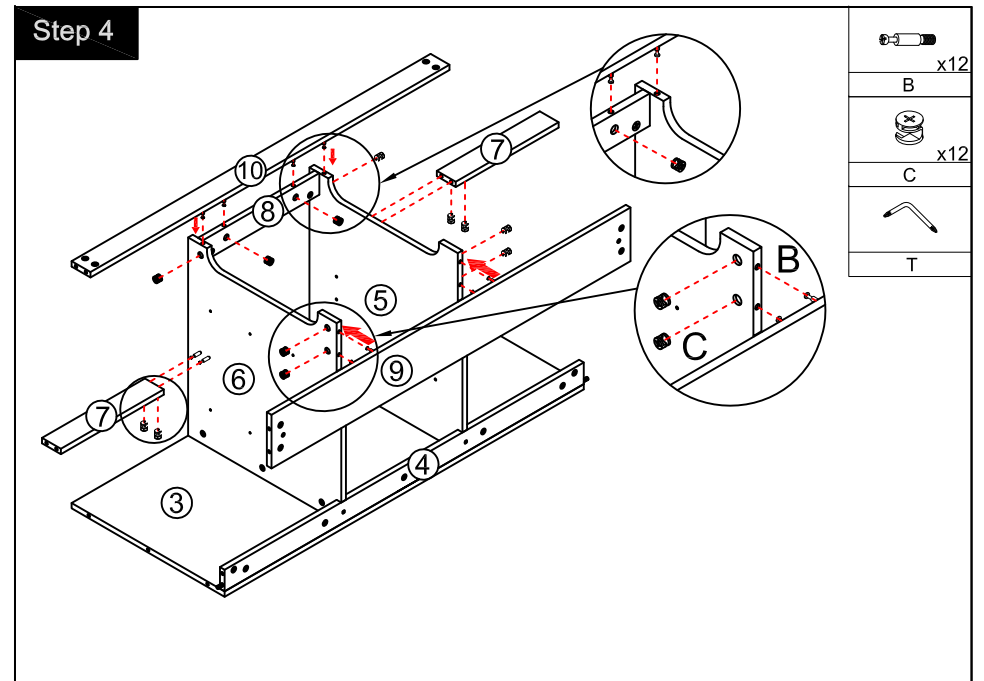
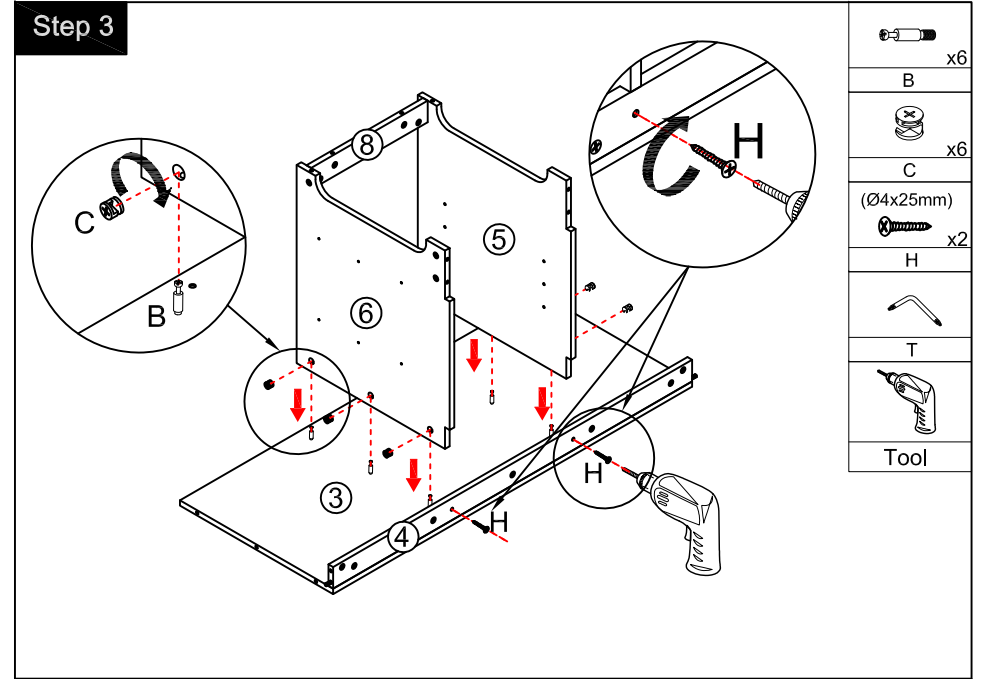
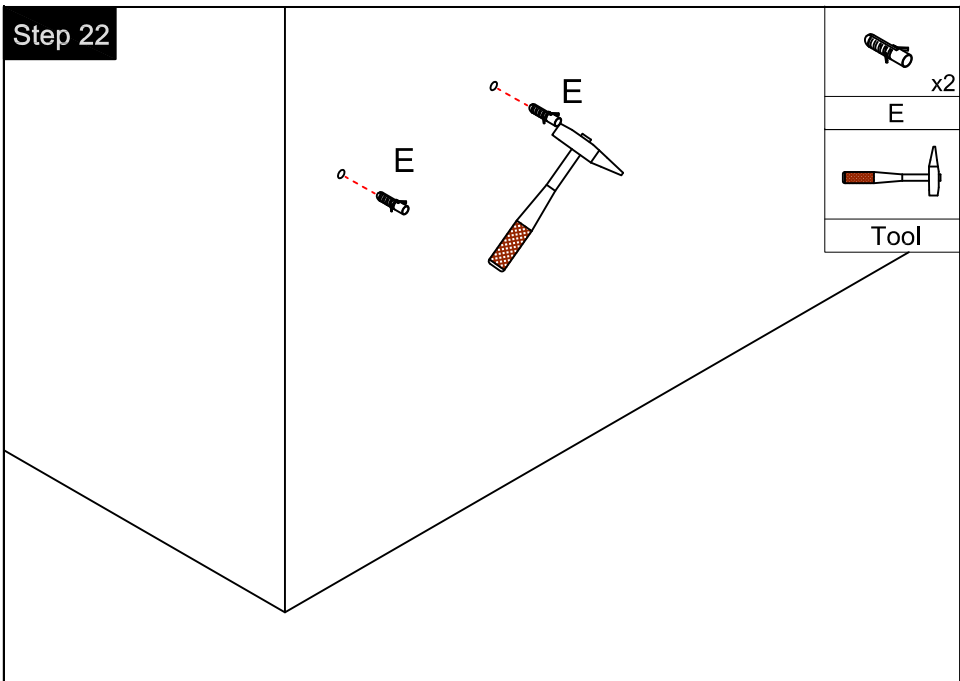
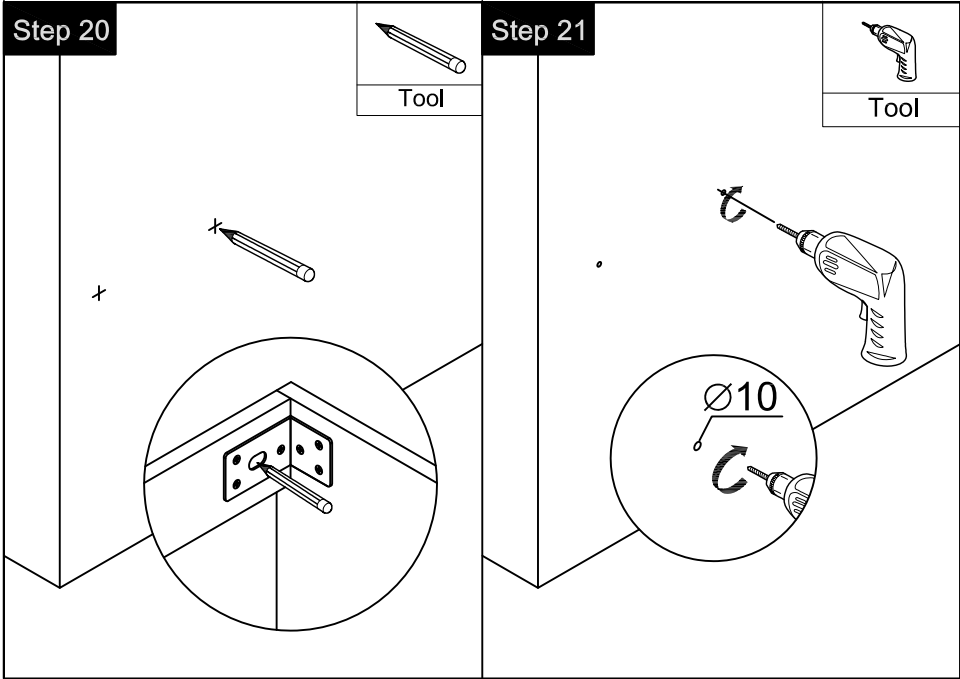
first step second step third step

- Screw x2
- B x2
- C x2
- D x2
- T

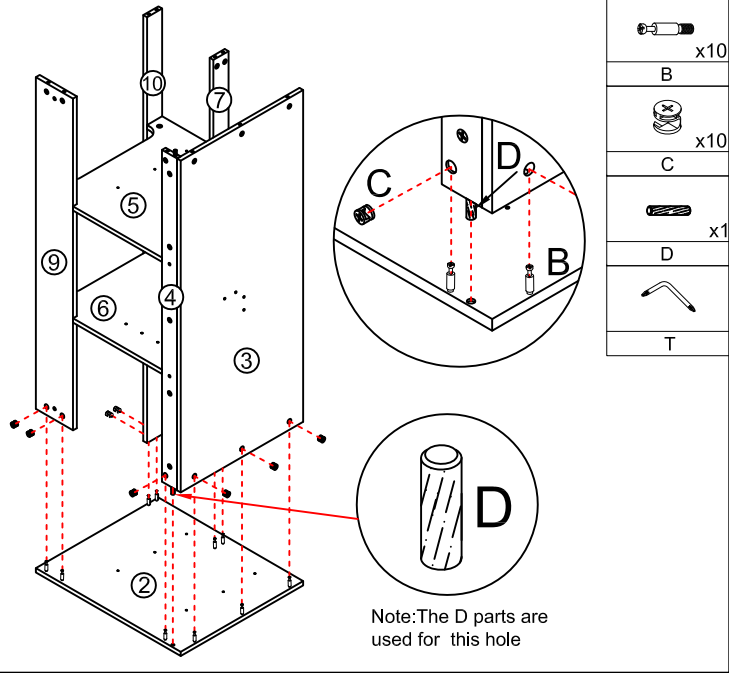
Step 23

- Screw x2
- F x2
- Tool

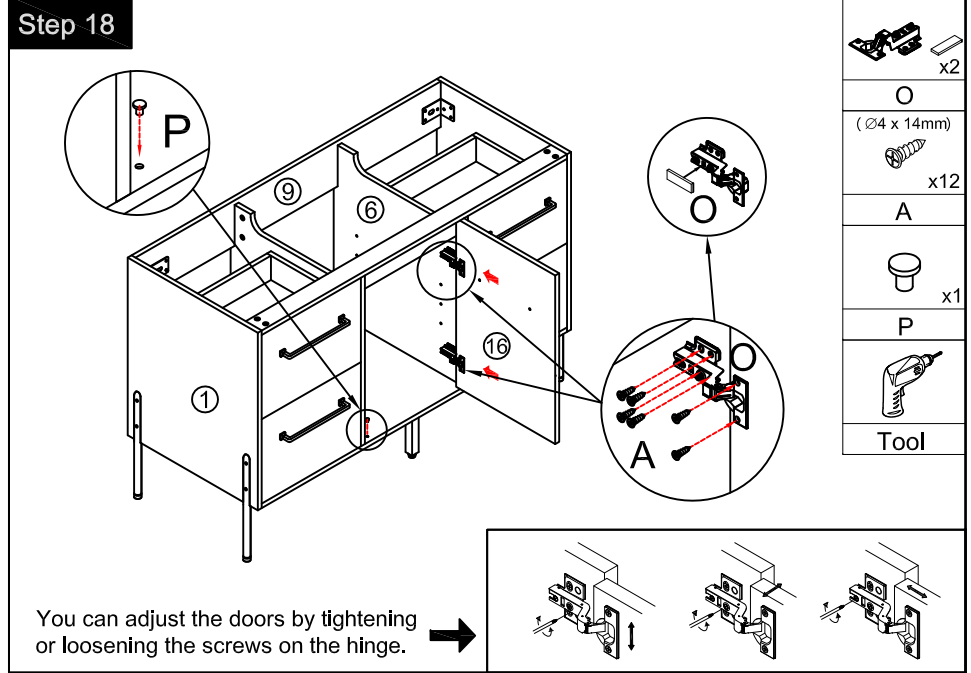
Step 24



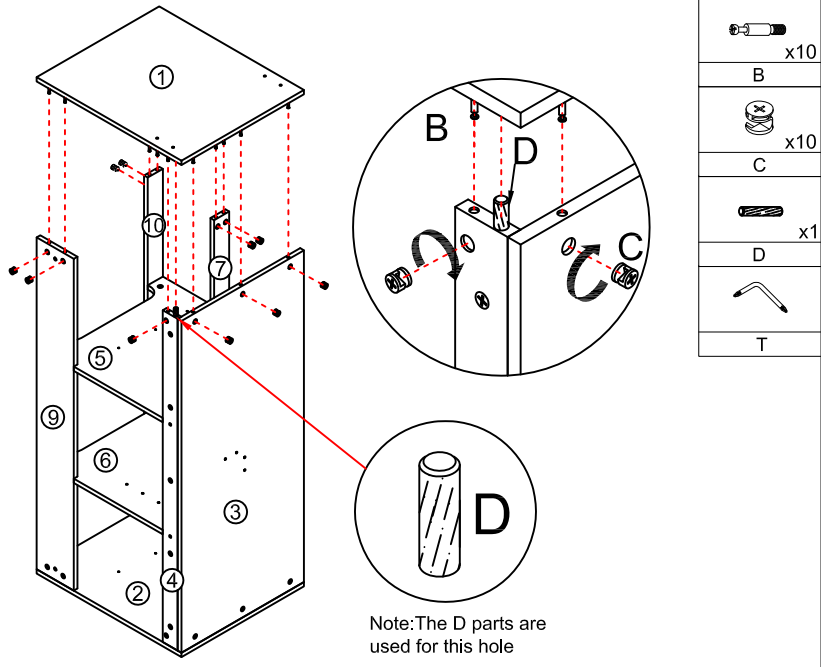
Step 5



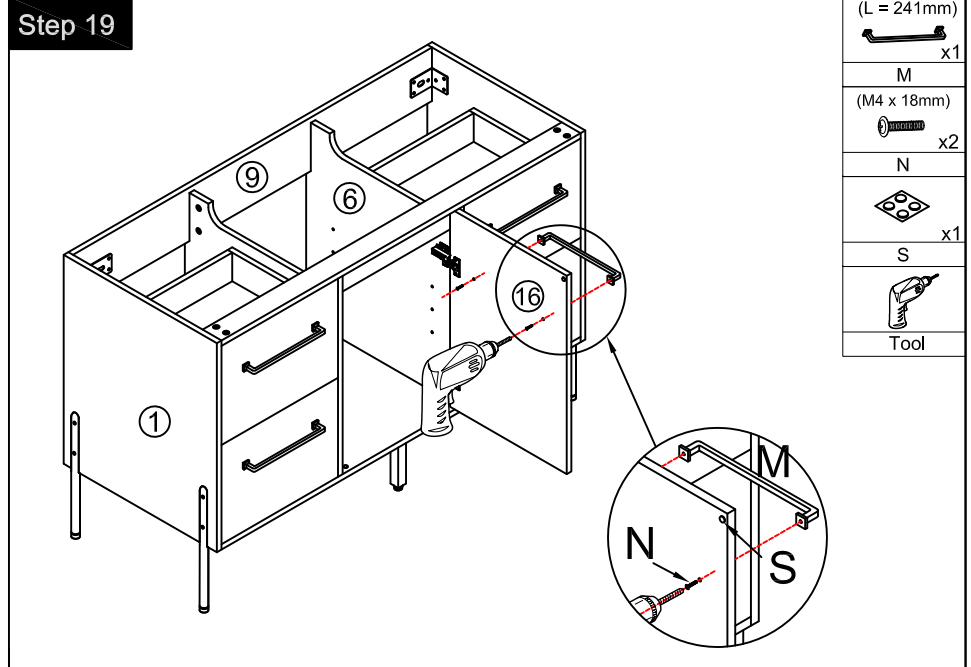
Step 18



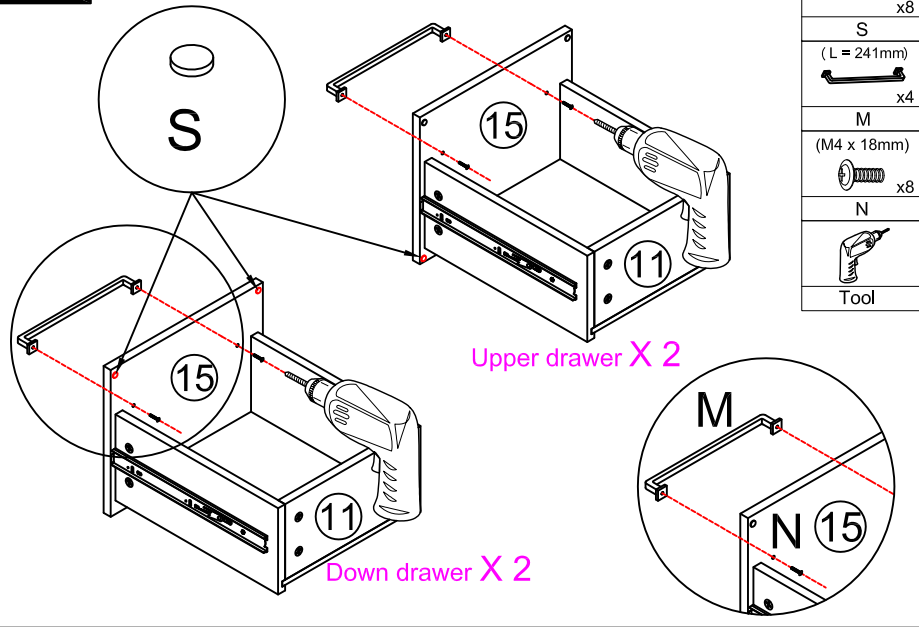
Step 6



Step 19

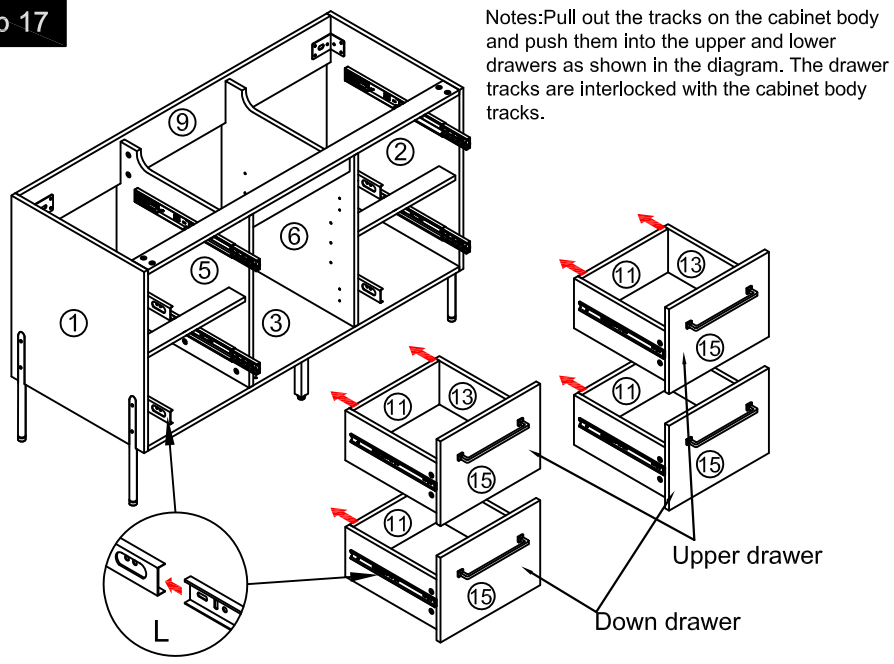


Step 16

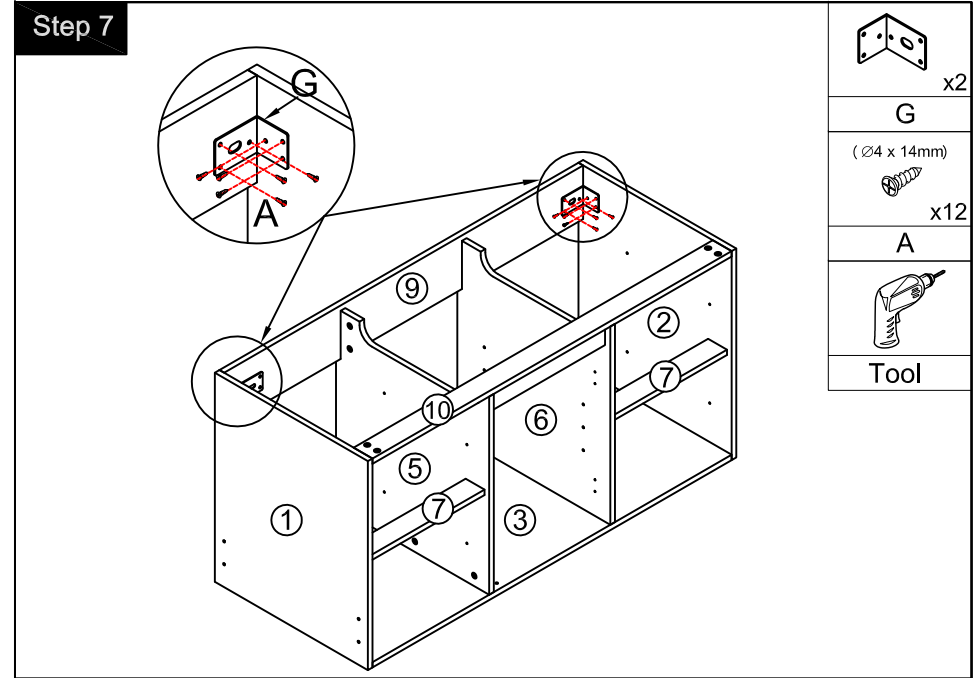


Step 17

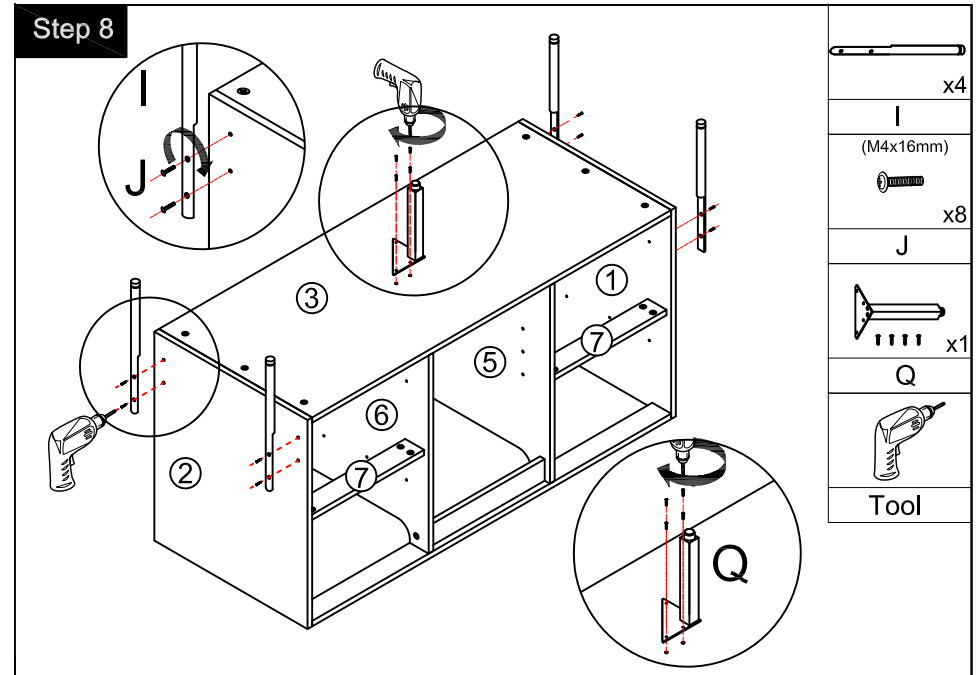
Notes: Pull out the tracks on the cabinet body and push them into the upper and lower drawers as shown in the diagram. The drawer tracks are interlocked with the cabinet body tracks.



Step 7



Step 8



Step 9

Step 10

B x16
 C x16
 T

(∅4 x 20mm)
 K x12
 Tool

Step 11

Step 12

B x16
 C x16
 T

(∅4 x 20mm)
 K x12
 Tool

Step 13

Notes: Disassemble the three fold side mounted buffer rail as shown in the following diagram.

Step 14

Notes: Install the dismantled side mounted rail as shown in the diagram.

L x4
 (∅4 x 14mm)
 A x24
 Tool

Step 15

B x16
 C x16
 T

Notes: Tighten the self working screw according to the hole position shown in the diagram.

L x4
 (∅4 x 14mm)
 A x24
 Tool