

ARMONIA

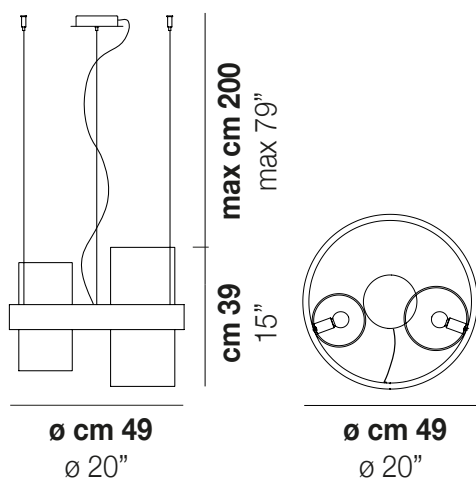
Design Francesco Lucchese

ARMONIA SP 50



A collection with contemporary connotations that contains precious historical features: that of glass processings such as the “balloton” and the straight and twisted rigadin.

ARMONIA SP 50



TECHNICAL DATA:



CERTIFICATIONS:

LIGHT SOURCES

2x60w 120V/60HZ E12

VOLUME Mc 0,19
GROSS WEIGHT Kg 13
NET WEIGHT Kg 8

download



SHADE FINISHING



CRAM

CRCR

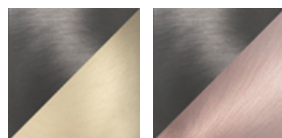
FUAM

FUCR

TBAM

TBCR

FRAME FINISHING



N_O

N_R