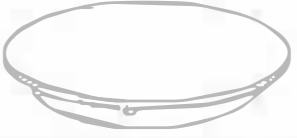

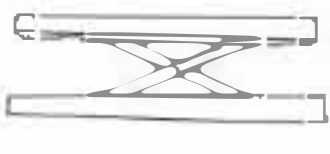





# ASSEMBLY INSTRUCTION

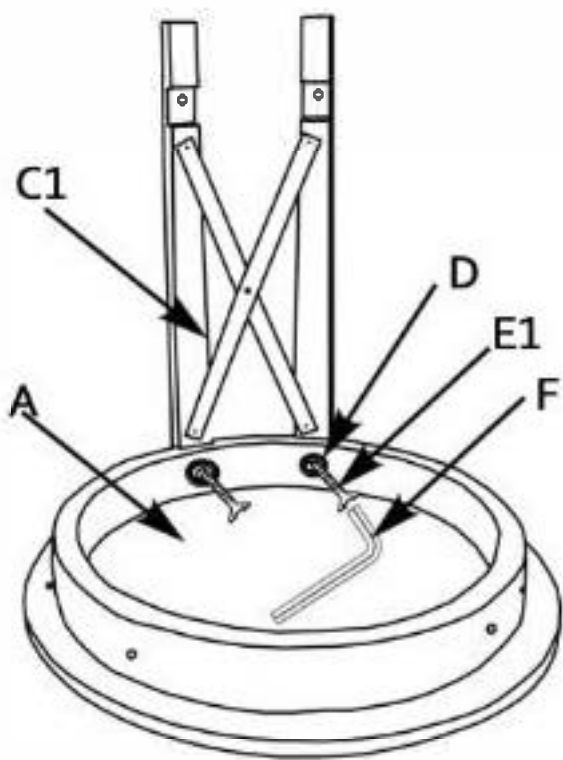
## PARTS

Part No.	DESCRIPTION	QNT
A	 WOODEN TOP	1
B	 WOODEN BOTTOM	1
C	 LEG C1/C2/C3	3

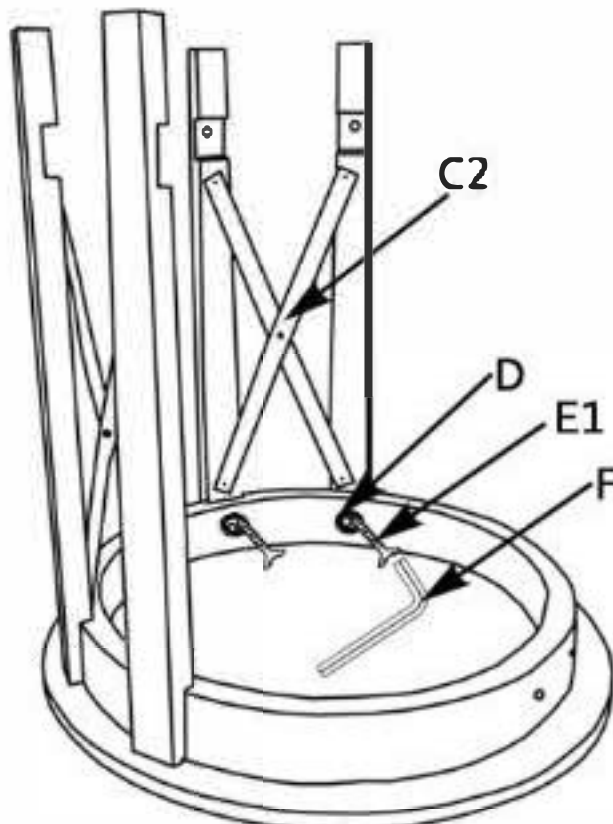
## HARDWARE

Part No.	DESCRIPTION	QNT
D	 WASHER	12
E	 ALLEN SCREW E1/E2	6/6
F	 ALLEN KEY	1

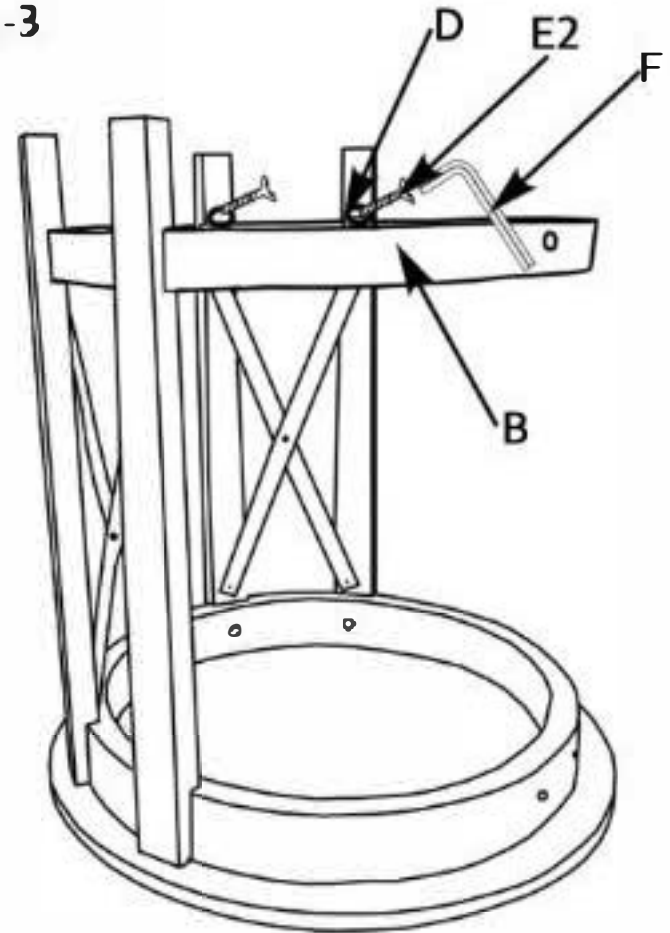
Step-1



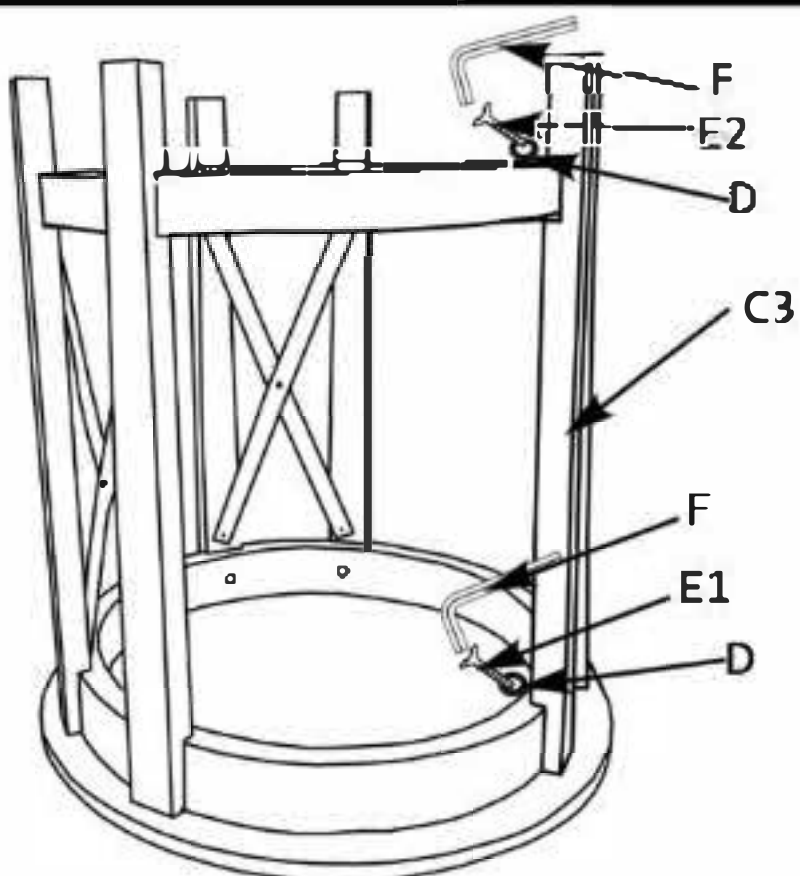
Step-2



Step-3



Step-4



COMPLETED

