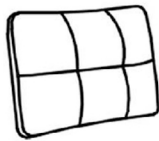


2 Seater sofa Left (Sit on sofa) 1/3



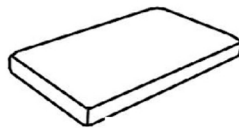
G

Left armrest*1



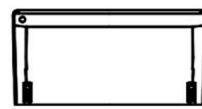
J

Back cushion*2



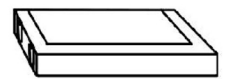
K

Seat cushion*1



L

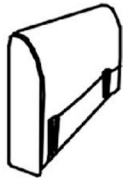
Left backrest*1



M

Left base*1

2 Seater sofa Right (Sit on sofa) 2/3



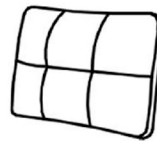
A

Right armrest*1



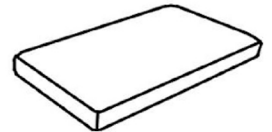
B

Armrest soft bag*2



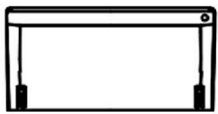
C

Back cushion*2



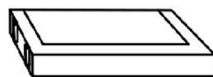
D

Seat cushion*1



E

Right backrest*1



F

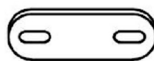
Right base*1

Ottoman 3/3



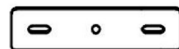
N

Ottoman base*1



O

Backrest hardware*1



P

Leg hardware*2



Q

Screw gasket*6



R

Short hexagon screw*6



S

Long hexagon screw*10



T

Sofa foot*10



U

Armrest pocket*1



V

Hexagon screw*1

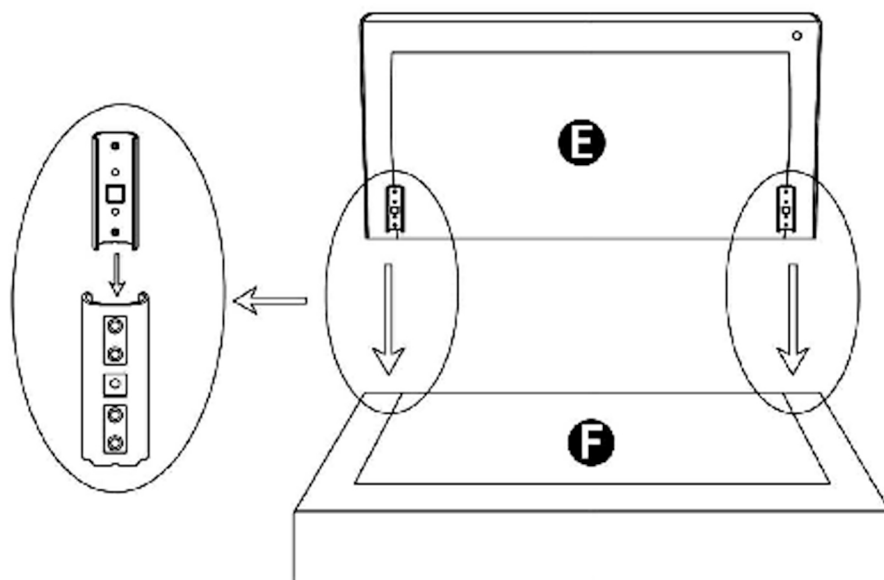


W

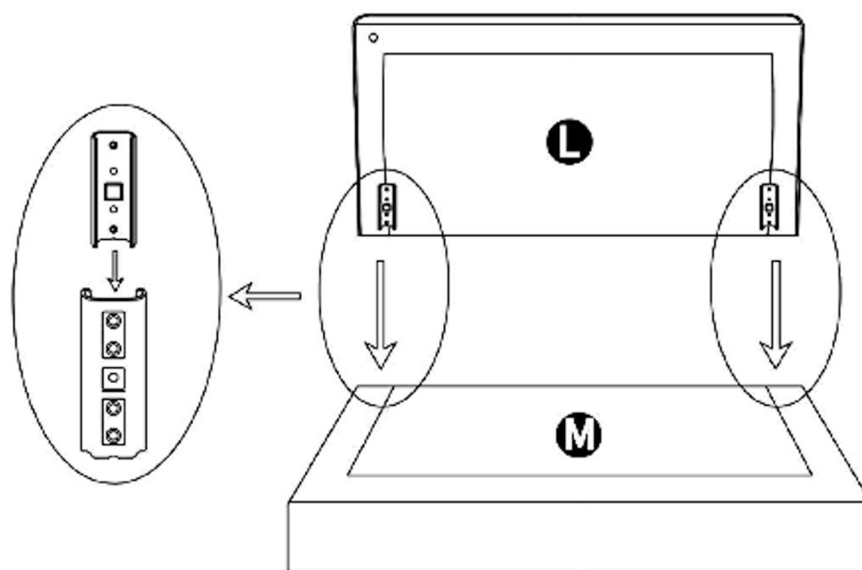
Seat cushion*1

Step 1: Remove all accessories from carton left, right and ottoman and place them on carpet to prevent scratching

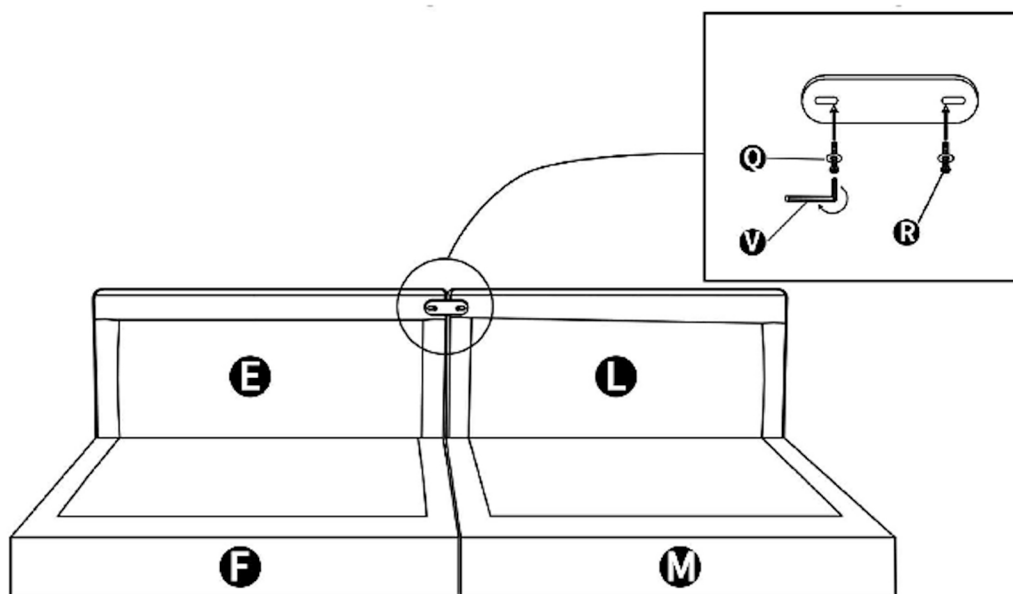
Step 2: Insert the right backrest into the right base



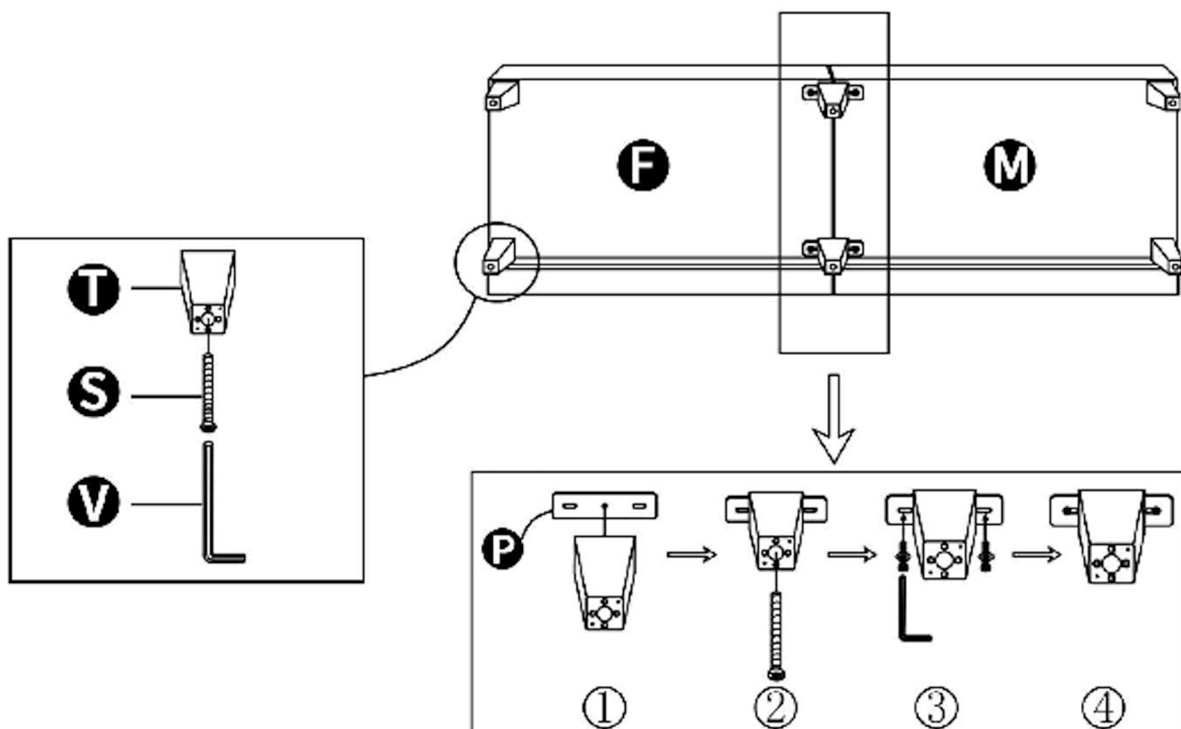
Step 3: Insert the left backrest into the left base



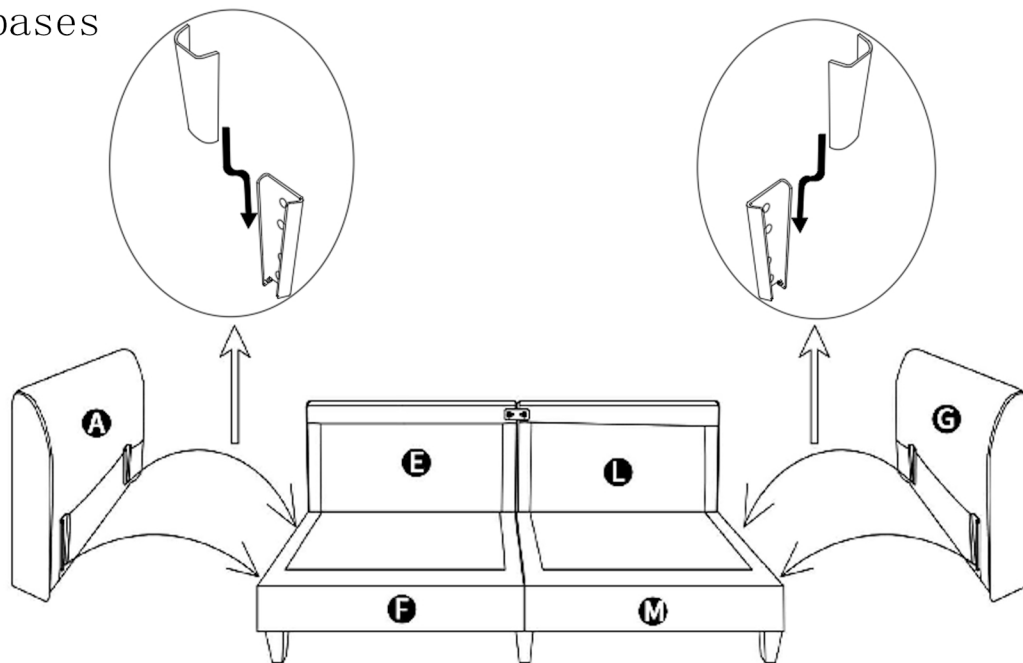
Step 4: Connect the left and right backrests with backrest hardware



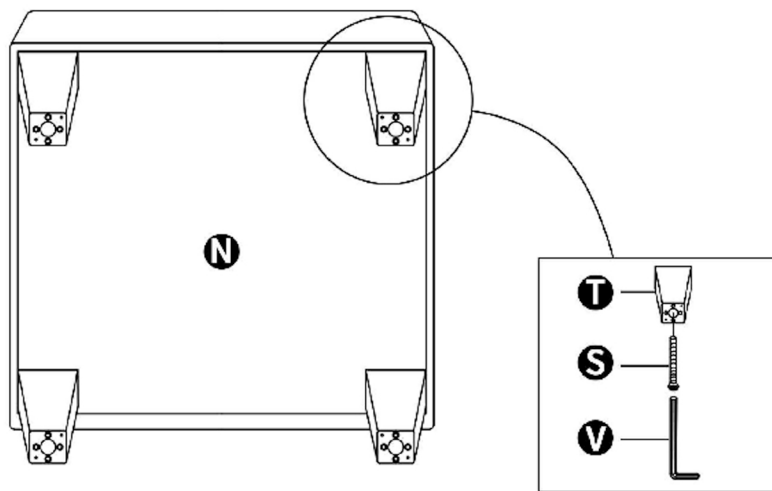
Step 5: Twist sofa upside down. Link the middle fixing leg hardware of the sofa and install the sofa legs



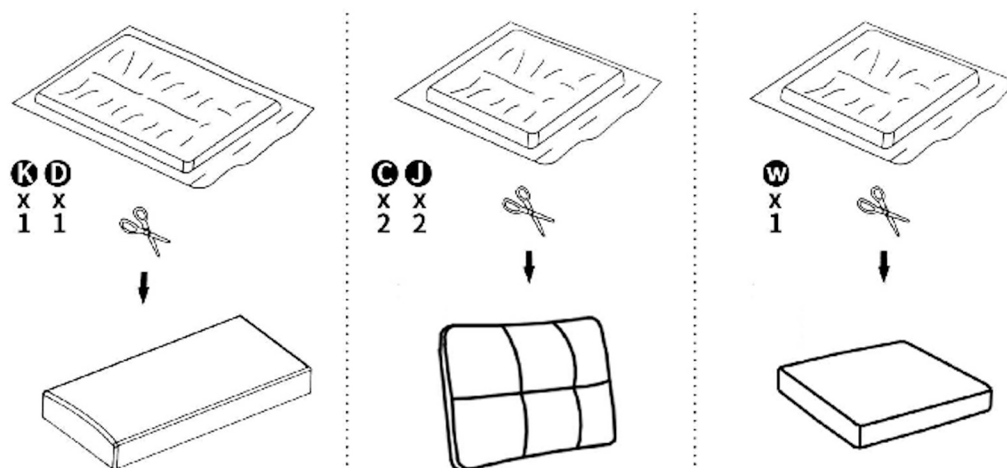
Step 6: Insert left and right armrests into the left and right bases



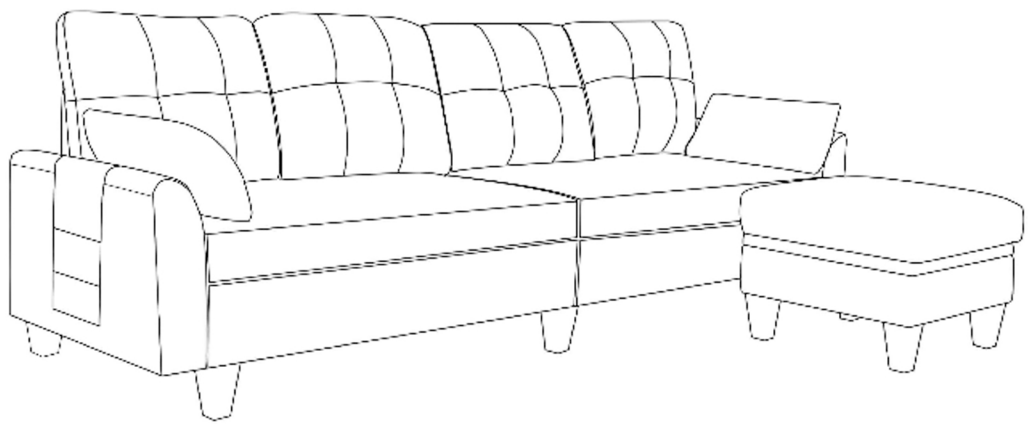
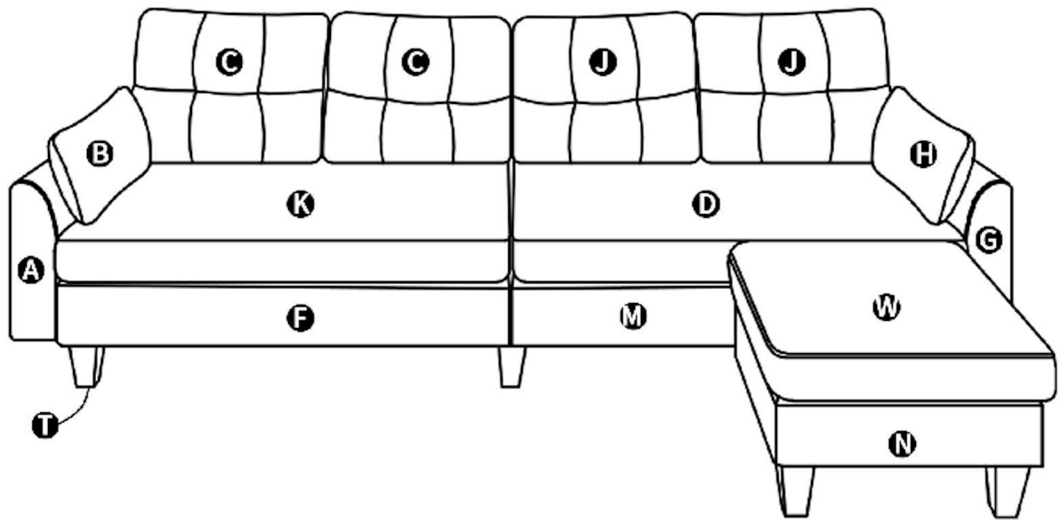
Step 7: Install the soft legs



Step 8: Cut the compression bags



Step 9: Assembly completed



Step 10: Assembly completed

