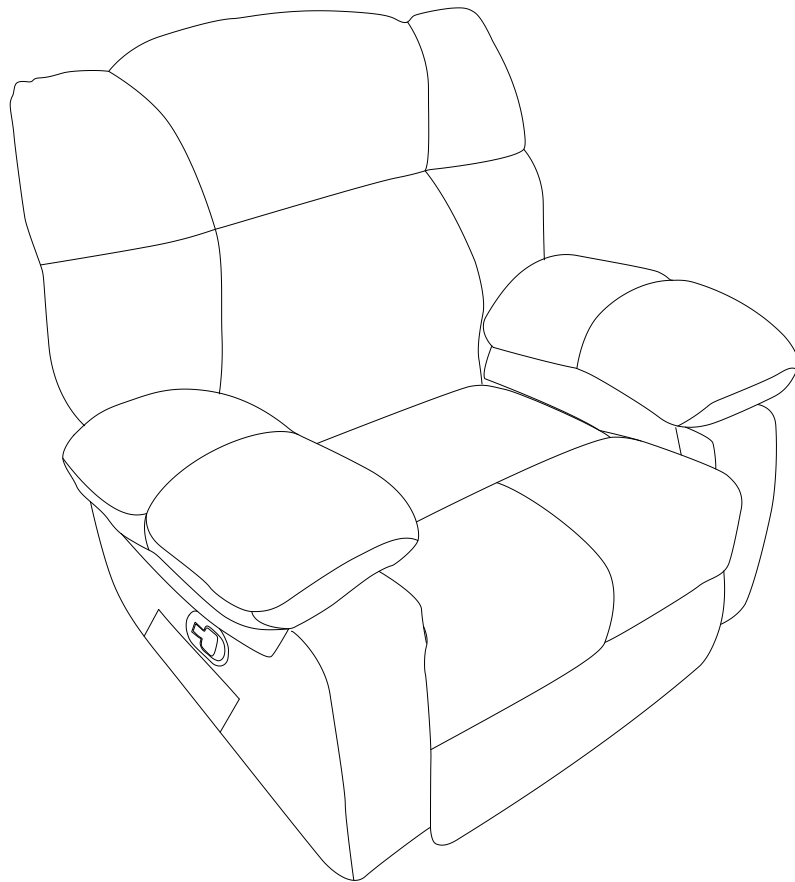


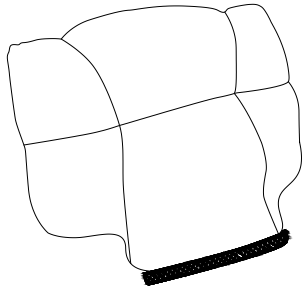
Recliner Assembly Instructions



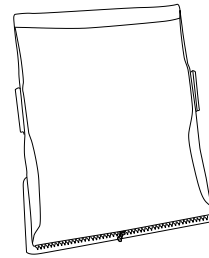
THIS INSTRUCTION BOOKLET CONTAINS **HQXXRC** SAFETY INFORMATION.
PLEASE READ AND KEEP FOR FUTURE REFERENCE.

PARTS AND ACCESSORIES

Avoid using sharp objects such as a knife to cut open packing as you may accidentally damage the upholstery.

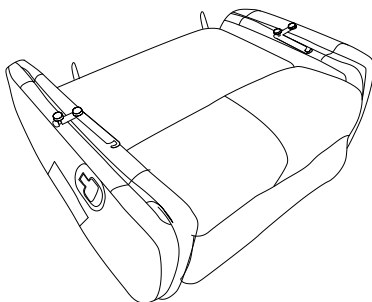


The backrest you received has been vacuum-packed. Open the plastic bag and take out the backrest, make it recovery. knead it, make it more fluffy.

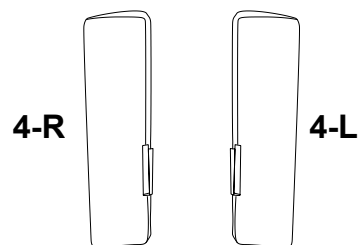


① Back Cushion * 1pc

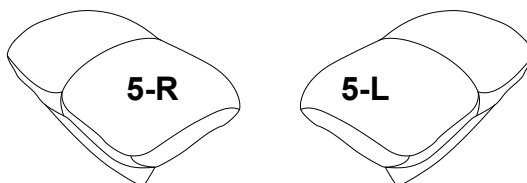
② Back Frame * 1pc



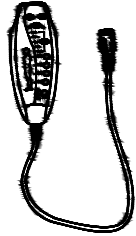
③ Seat * 1pc



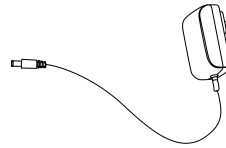
④ Backrest Ear Part * 2pcs



⑤ Armrest pillow R&L * 2pcs

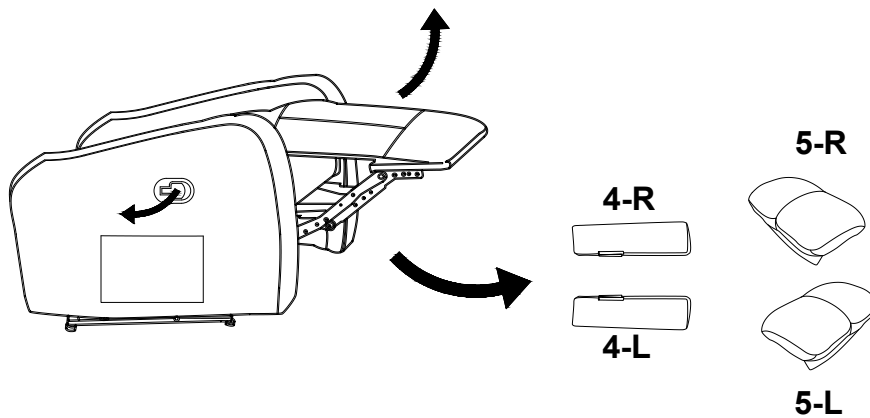


Ⓐ Massage Remote * 1pc



Ⓑ Power Cord * 1pc

Please check and ensure all the things are in the package. You can contact us if something is not included. We will reply within 24 hours and try our best to solve it.



Before assembly, please turn on the switch on the right side of the armrest to open the front foot guard, and then remove the **Backrest ear parts** and **Armrest pillow R&L** from under the seat.

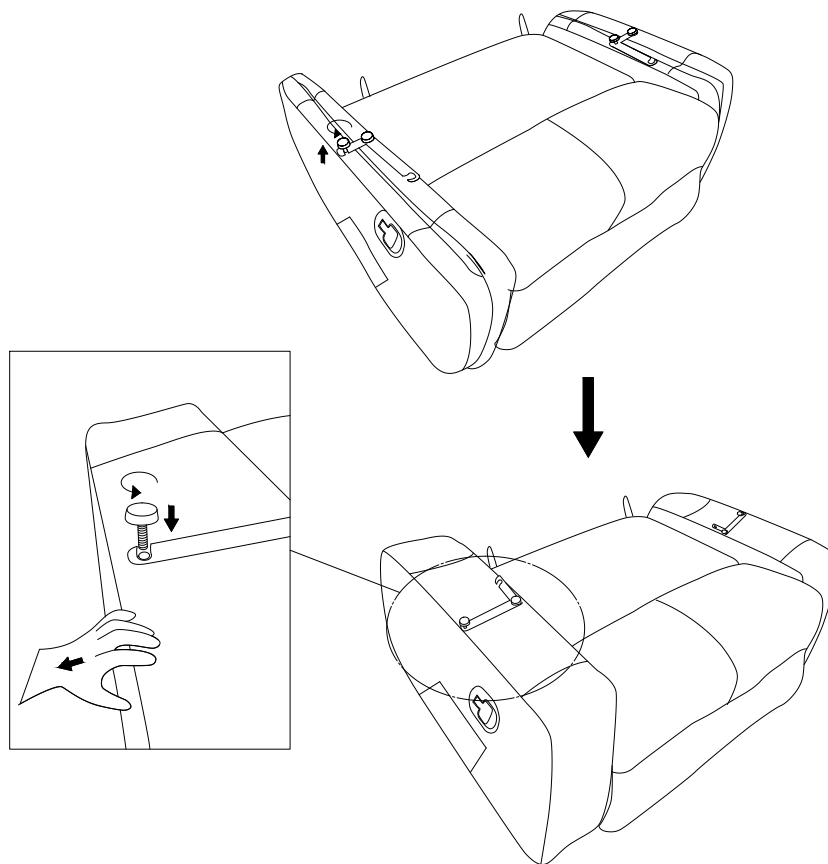
ASSEMBLY INSTRUCTIONS

CAUTION: At least two adults are required to safely complete performing this task.



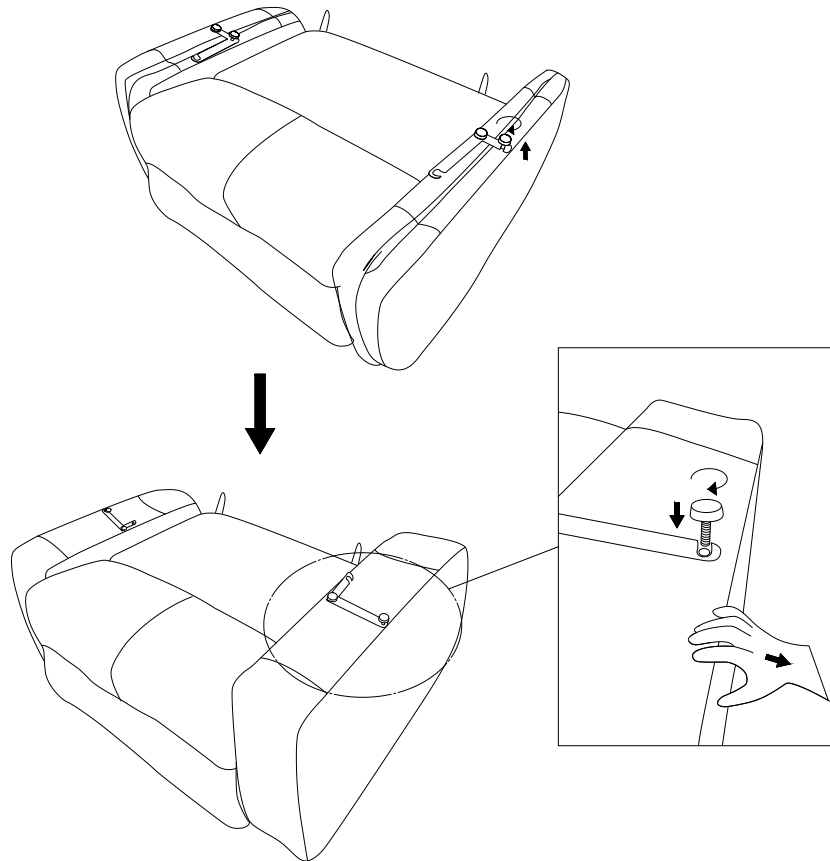
Other lifting attempts may risk back injury due to large and heavy part(s)

Ⓜ

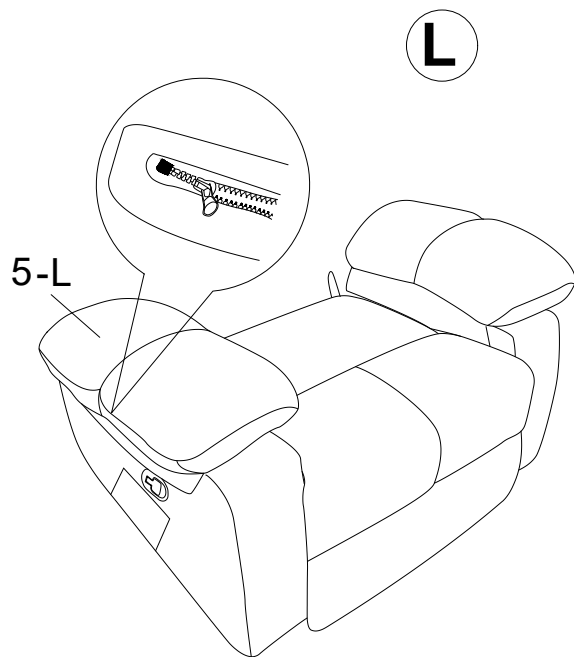


- 1.** Remove the screws from the armrest, turn the long iron sheet to the screw hole, pull the armrest out by hand, and then lock the screws so that the width of the armrest is fixed.

L



- 2.** Remove the screws from the armrest, turn the long iron sheet to the screw hole, pull the armrest out by hand, and then lock the screws so that the width of the armrest is fixed.

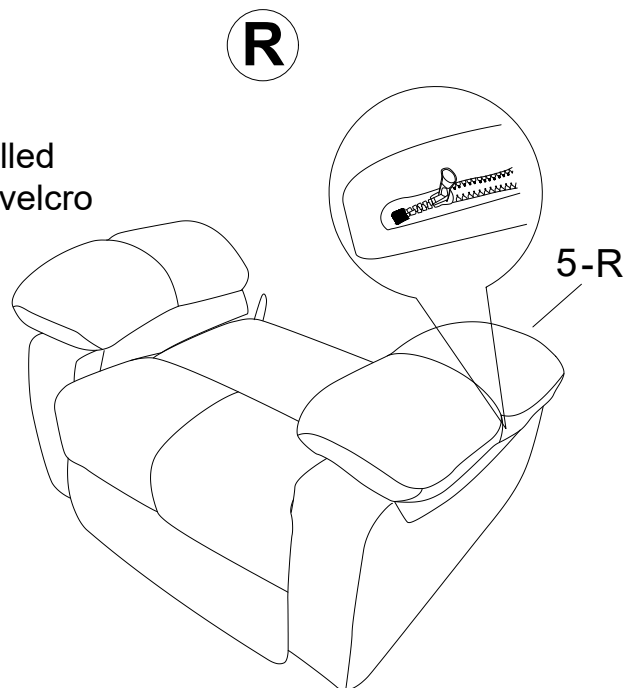


- 3.** Pull the zipper of the armrest pillow 5-L onto the wooden frame L

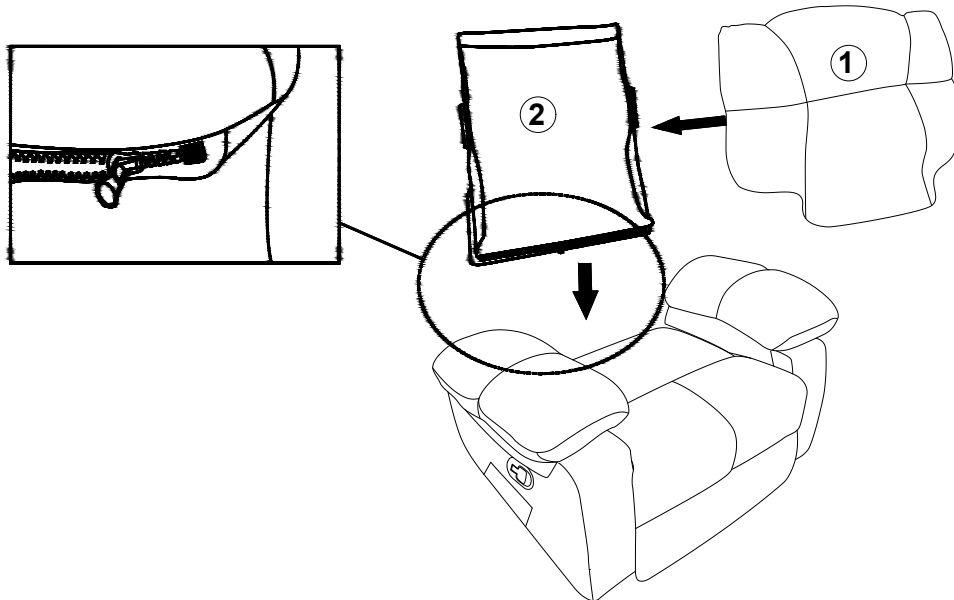
*NOTE: After the ③ is installed in place, align and stick the velcro on the bottom.

- 4.** Pull the zipper of the armrest pillow 5-R onto the wooden frame R

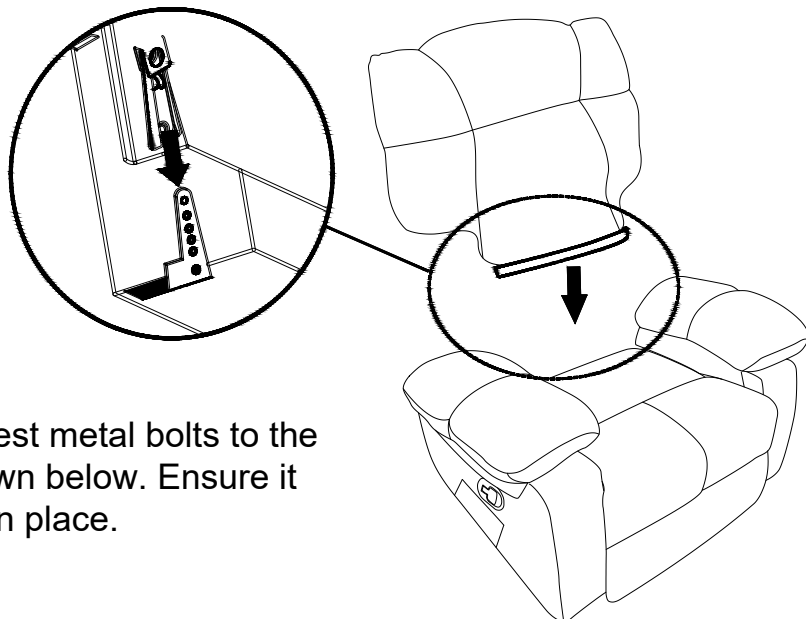
*NOTE: After the ③ is installed in place, align and stick the velcro on the bottom.



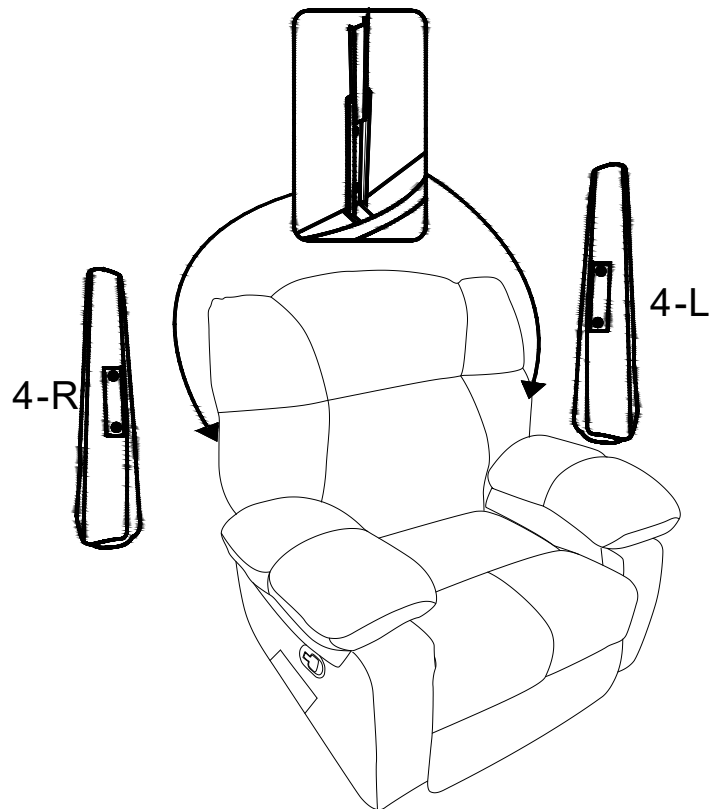
- 5.** Align, stick and Zipper the **Back Cushion 1** and the **Back Frame 2**



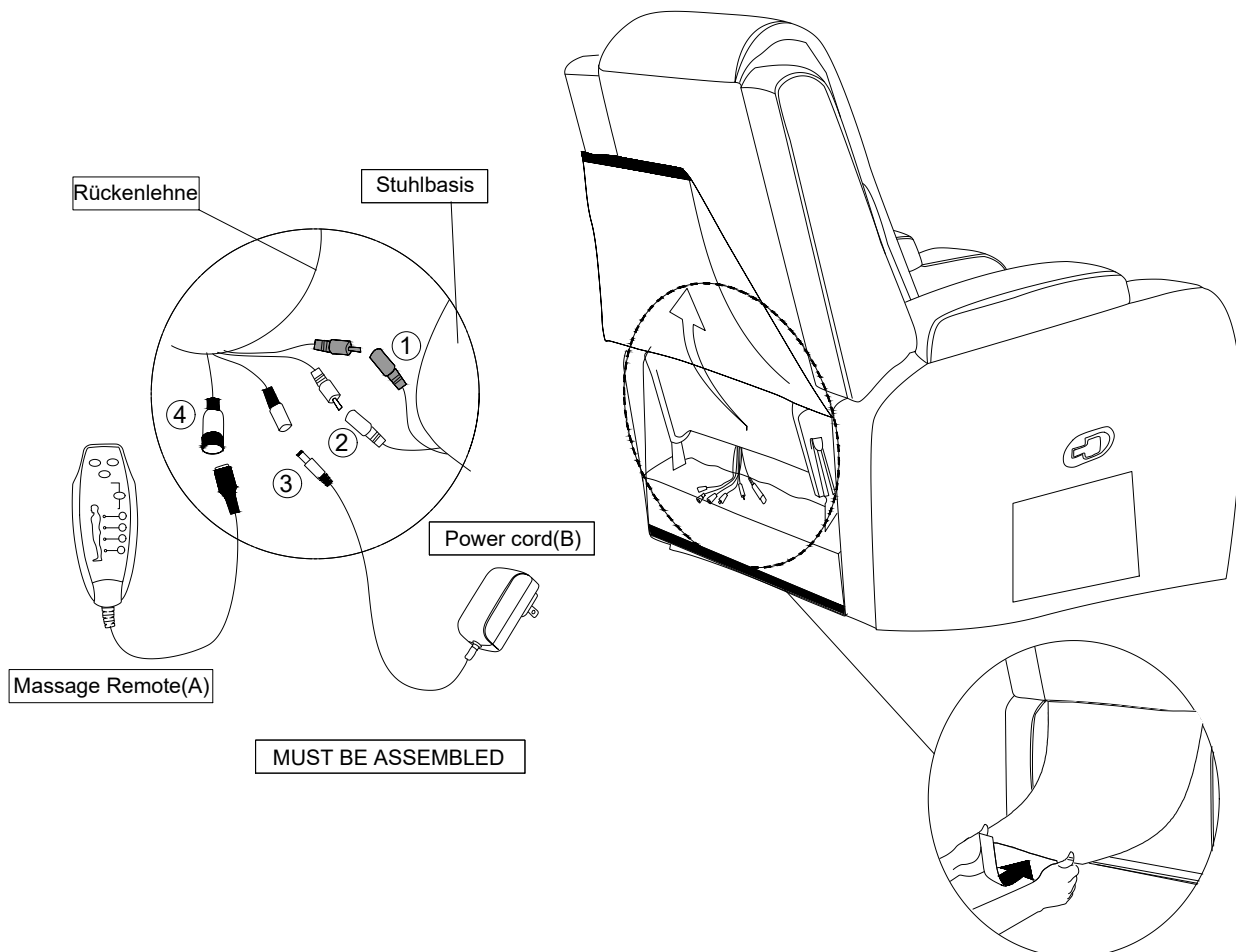
- 6.** Insert backrest metal bolts to the seat as shown below. Ensure it is correctly in place.



- 7.** Align and stick the backrest ear 4 to the assembled backrest in step 8.



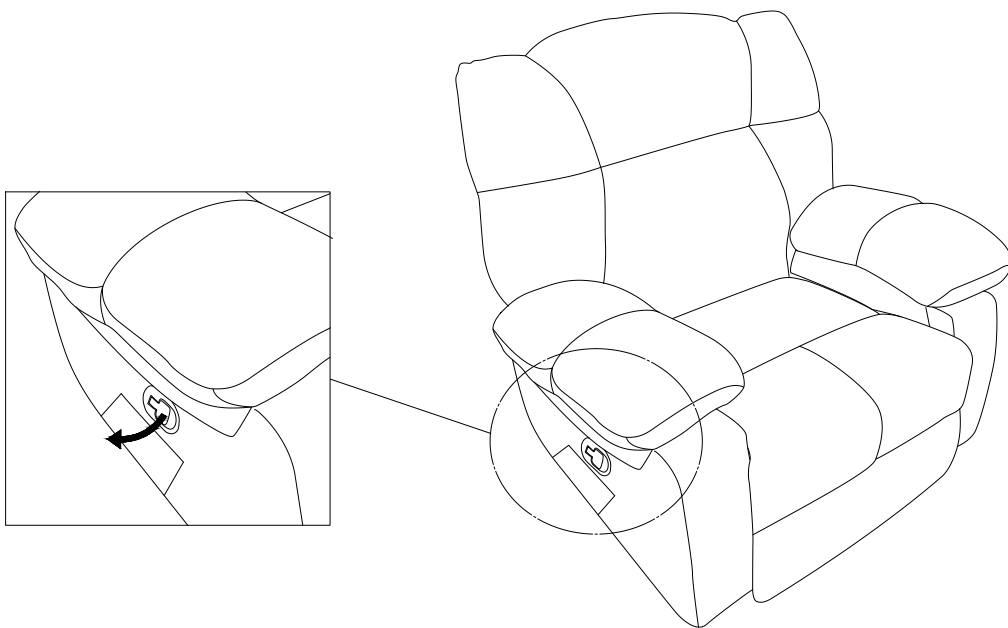
- 8.** Remove the bottom of the back fabric from the Velcro on the seat base. Connect the cables then cover the back fabric.



Connect ①② with wires of same color from the seat base.

Connect ③ with Power Cord ② and ④ with Remote control ①

The method of connecting the power cords.

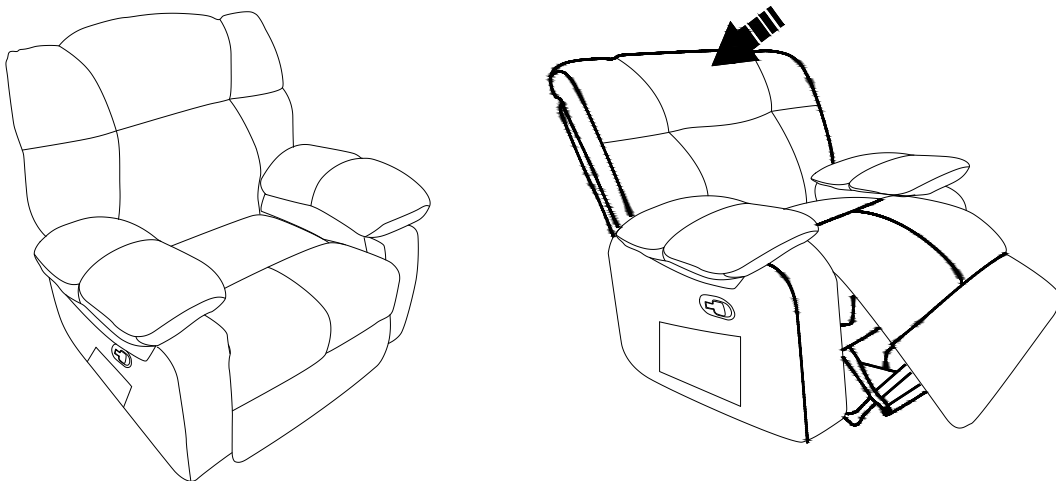


9. Turn on the switch and the sofa will automatically open.

RECLINE & FOOTREST OPERATING

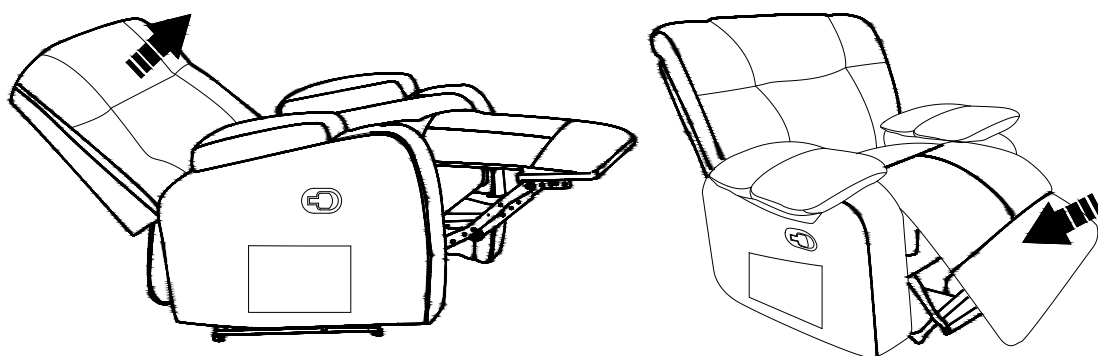
A. How To Recline

Turning on the switch will automatically open the sofa, and then the angle at which the sofa extends will increase when the back is tilted back.



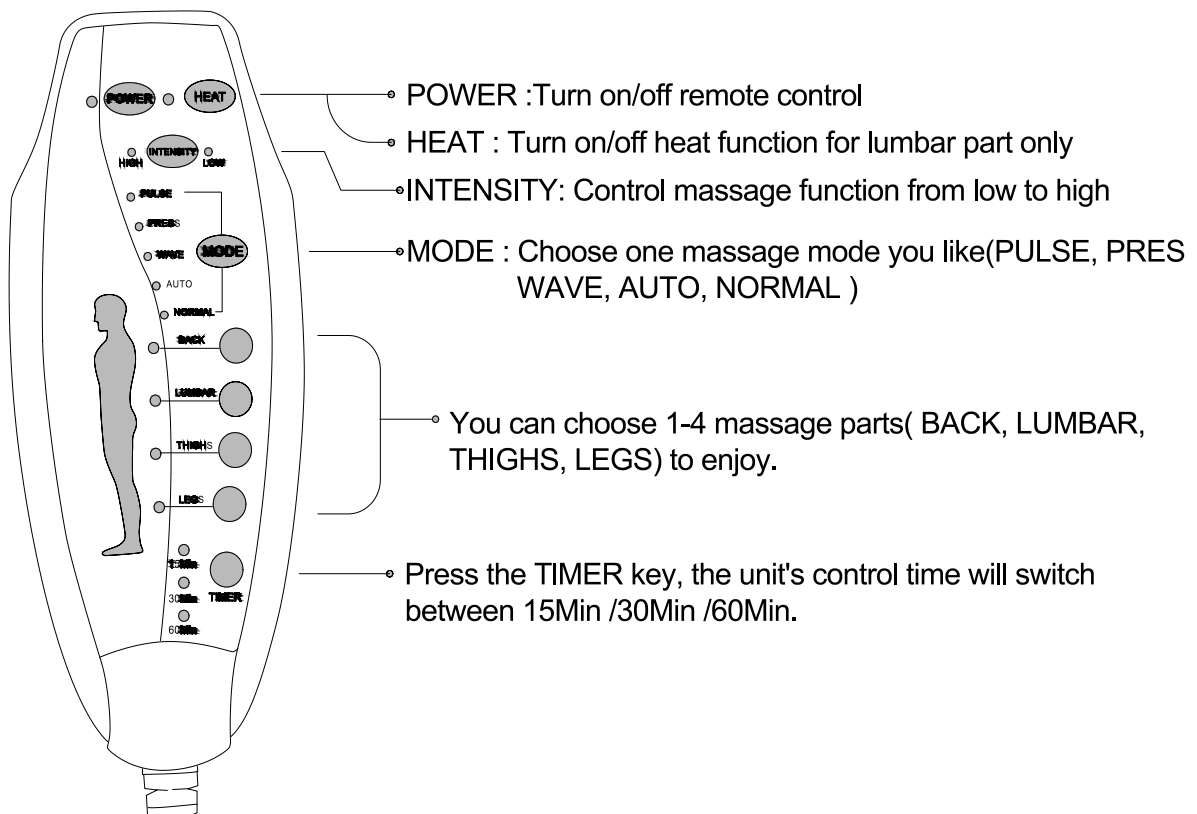
B. How To get Footrest Pushed Down

Sitting up from the sofa, the sofa can be retracted. Use your calves to push the forefoot back onto the sofa to fully retract it



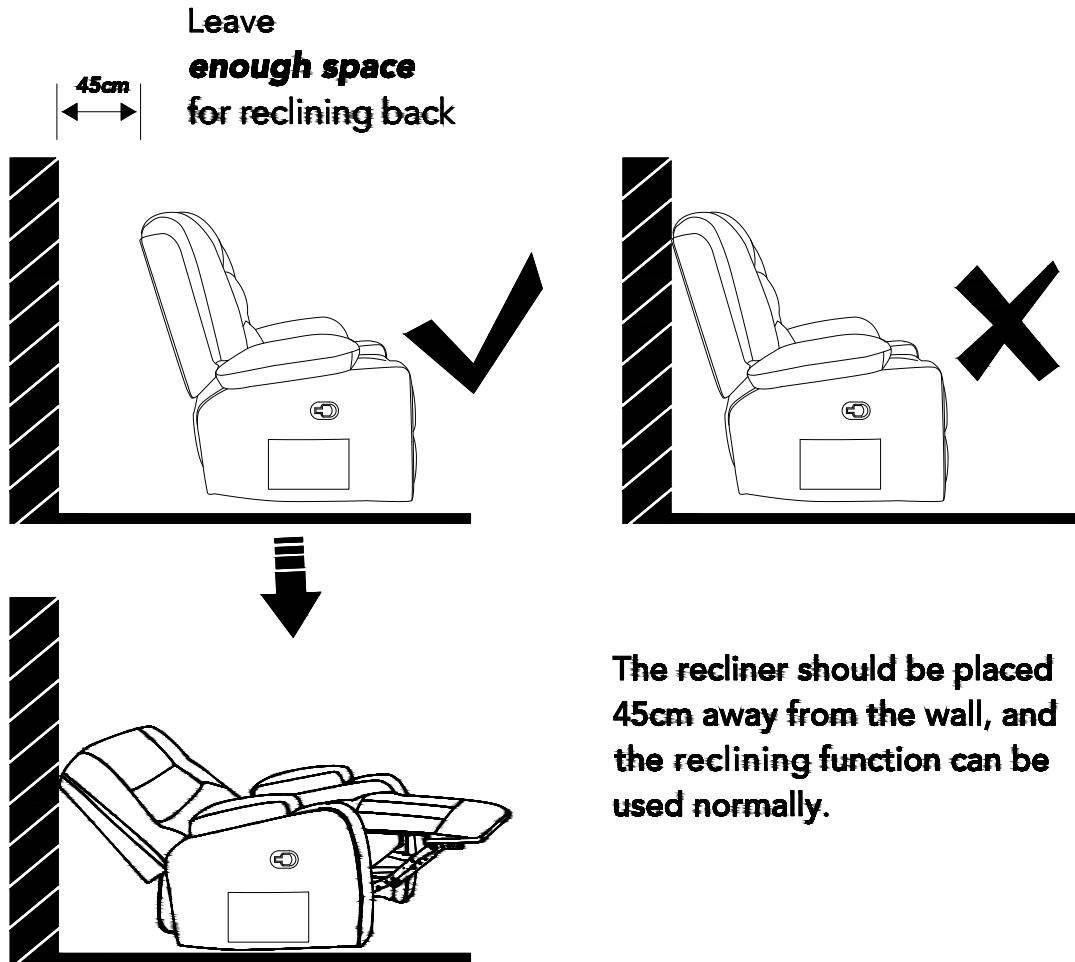
C. Massage operation

INTENSITY: Change intensity (HIGH or LOW) during all modes.

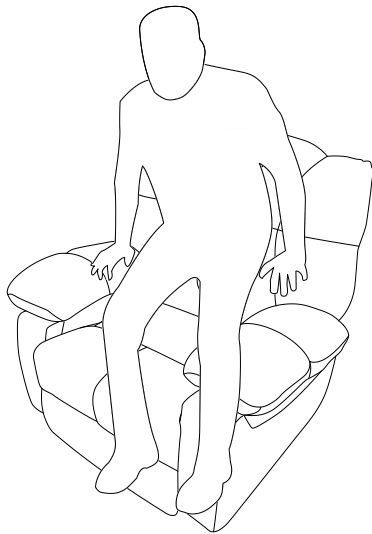


We recommend that the unit be used only for a few minutes initially, to allow your body to get used to the massage sensation. Gradually increase the length of time you use the massage function, over the first few periods of use. Should you experience any adverse reactions, stop using immediately and consult your medical practitioner.

USAGE



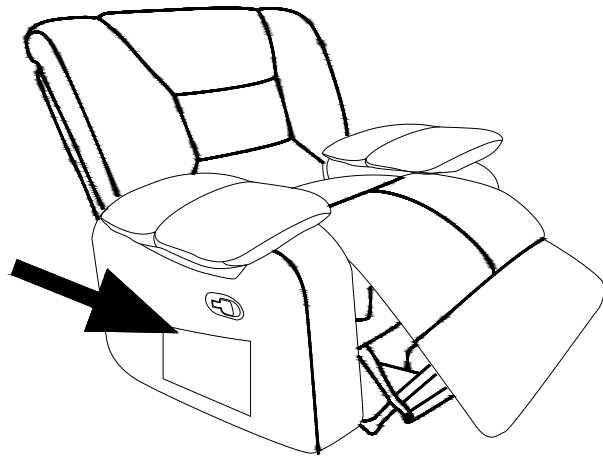
PROPER USAGE



Steps to safely stand up from your Recliner Chair

1. Store the remote control (A) safely in the seat's side pocket
2. Plant feet firmly on the ground
3. Evenly distribute weight on both arms of the chair
4. Slowly stand up from upright position

* Remember to store remote control safely in the seat's side pocket when it is not in use



WARRANTY

So glad you have completed the assembly and can enjoy it. If you are satisfied with our products, thank you for showing your favored massage recliner to your around. Our products come with a 2-month warranty,you can feel free to contact us at any time.

AFTER-SALE POLICY

1. For return reason: Wrong purchase,bought by mistake,no longer needed,doesn't meet expectation, a size smaller than expectation, customer need to cover the return shipping fee.
2. For cancel order: Customer needs to pay for shipping fee and carrier handle fee if the item has been shipped out.
3. For change address: Customer needs to pay for extra shipping fee and carrier handle fee if the item has been shipped out.
4. Customer Service: Any problem with the product or shipping issue,please feel free to contact us, we will try our best to serve and help.

Dear Customer,

Thank you for choosing us. For safe use, please read this manual before installation, and keep it for after use. Please feel free to email us if you have any concerns about our products. We'll reply within 24 hours.

The following are the things you need to pay attention to so that we can provide you with services when you encounter problems during the installation and use of the product:

When the product is damaged due to courier problems, please contact our customer service in time for verification.

- We will rectify the issue as soon as possible;
- We give a 60-day quality assurance;
- We provide a 7-day no-reason return service (note that the returned product will not affect the secondary sales);

We offer product explanations, installation instructions, product maintenance and maintenance methods. If you feel satisfied with our product and service,

- Please set our store as your favorites;
- Please recommend our products to your friends;
- Please and leave us your purchase experience in our store or product page.

Feedback or reviews from you will greatly help us offer better services to players around the world.

Best regards

Avoid using sharp objects such as a knife to cut open packing as you may accidentally damage the upholstery.
