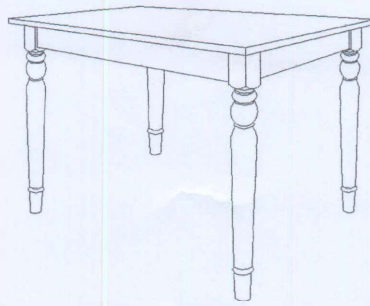


CHAIR & TABLE COMPANY

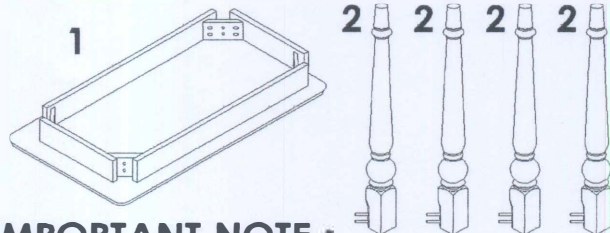
Assembly Instructions

48"x24"x36HT BUFFET WITH TURNED LEGS



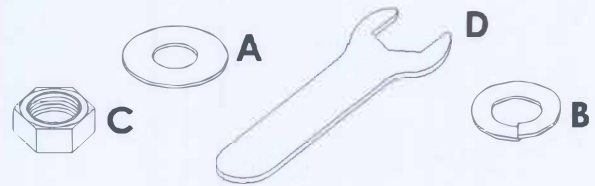
PARTS LIST :

- | | | |
|---|-----------|--------|
| 1 | TABLE TOP | 1 PC. |
| 2 | TABLE LEG | 4 PCS. |



HARDWARE LIST :

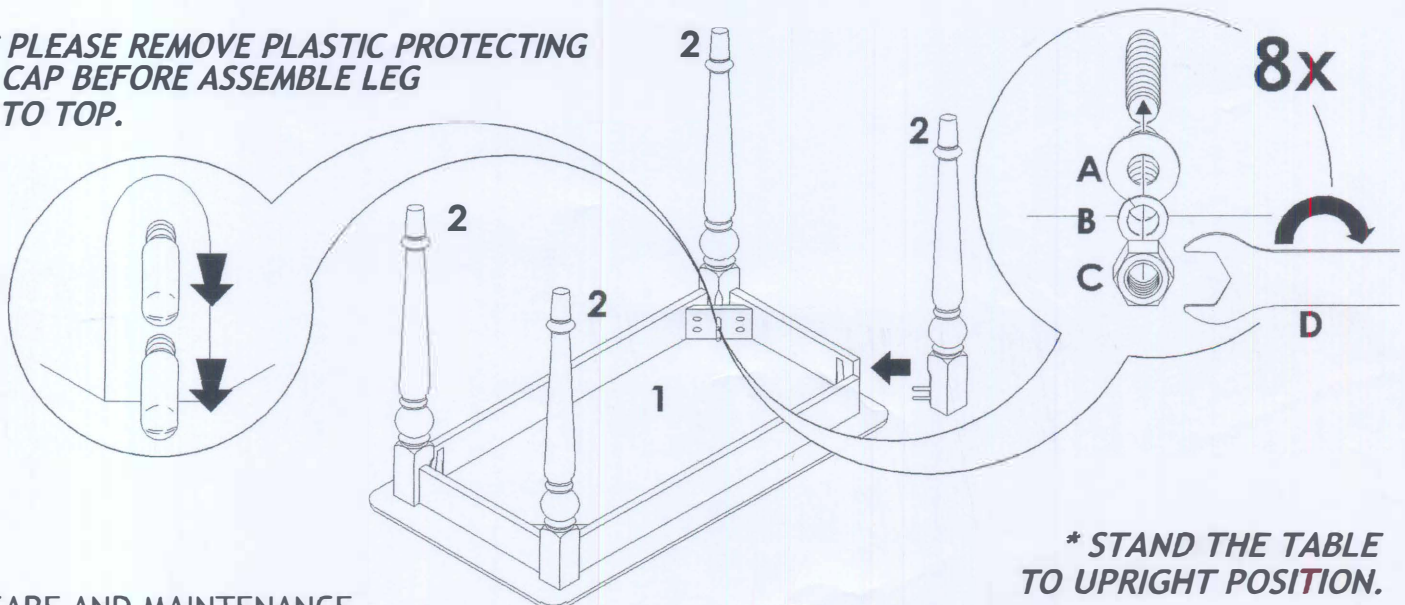
- | | | |
|---|--------------------|--------|
| A | FLAT WASHER(5/16") | 8 PCS. |
| B | LOCK WASHER(5/16") | 8 PCS. |
| C | HEXAGON NUT(5/16") | 8 PCS. |
| D | WRENCH(12.8MM) | 1 PC. |



IMPORTANT NOTE :

- Place all wooden parts on a clean and smooth surface such as a rug or carpet to avoid the parts from being scratched. Check to be sure that you have all parts and hardware. Remove all wrapping materials, including staples & packing straps before you start to assemble.
- Keep all hardware parts out of reach of children.
- **DO NOT TIGHTEN BOLTS/SCREWS UNTIL ALL COMPLETELY ASSEMBLED.**

*** PLEASE REMOVE PLASTIC PROTECTING CAP BEFORE ASSEMBLE LEG TO TOP.**



*** STAND THE TABLE TO UPRIGHT POSITION.**

CARE AND MAINTENANCE

The touch of a soft cloth is all the maintenance your wood pieces will ever need. Never use harsh chemicals or abrasive cleaners, as they could mark or destroy finish.