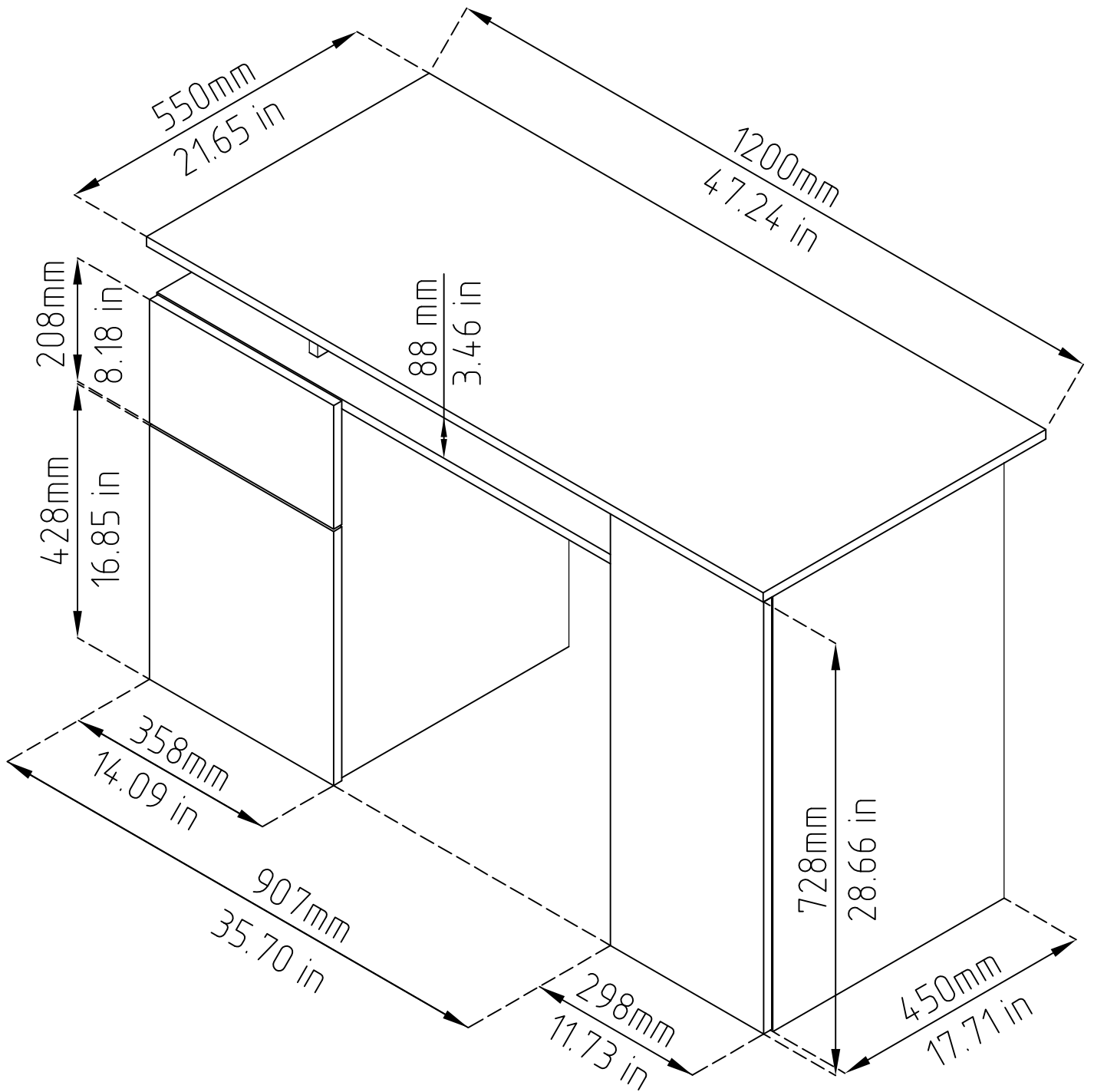
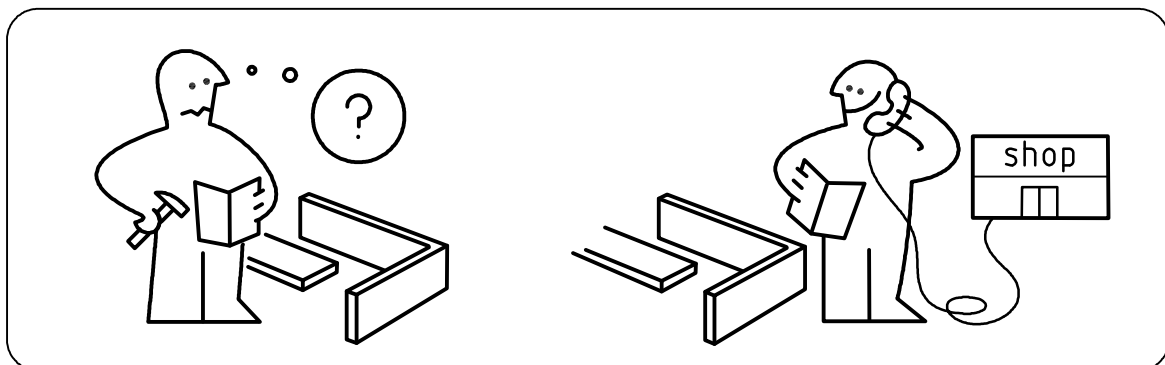
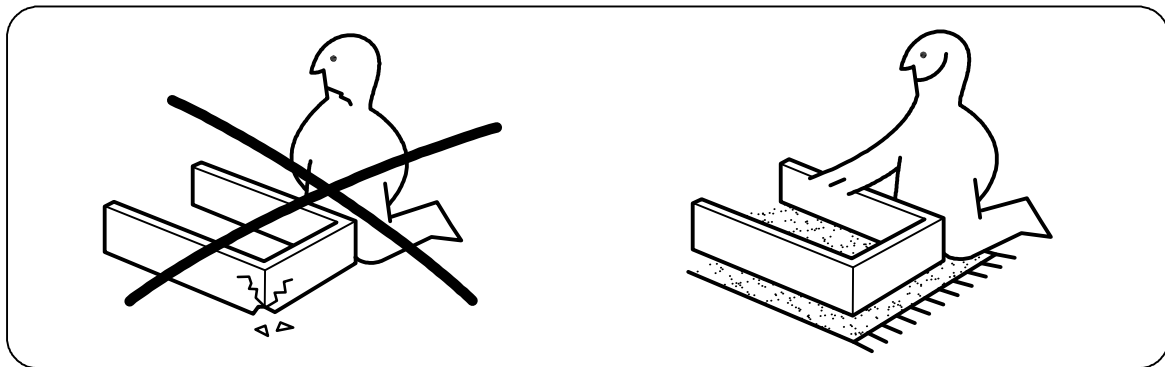
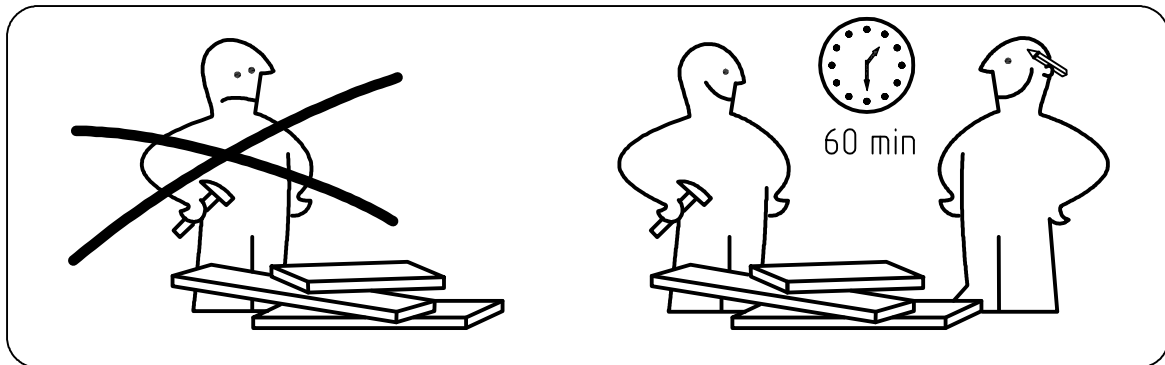
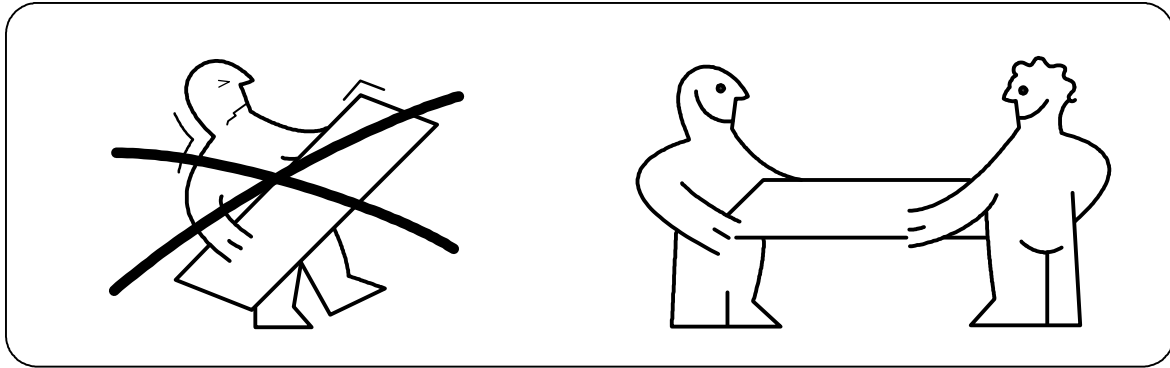
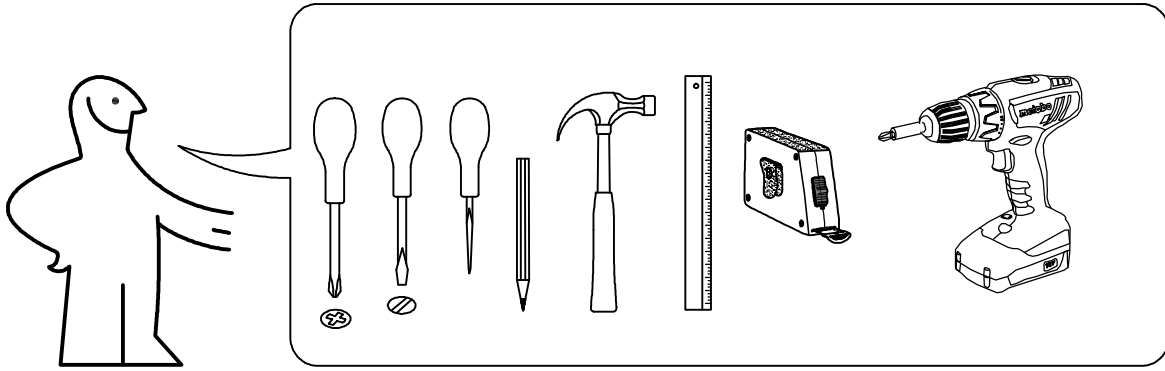

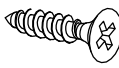
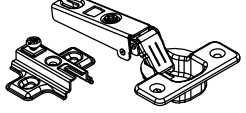


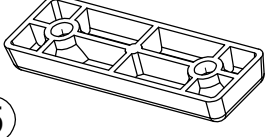
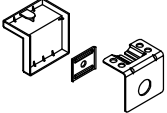
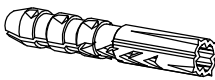
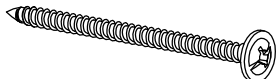
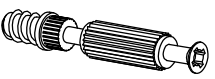
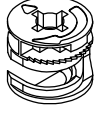
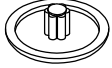


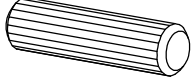
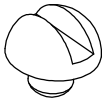
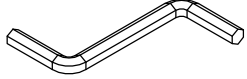
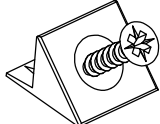
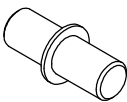


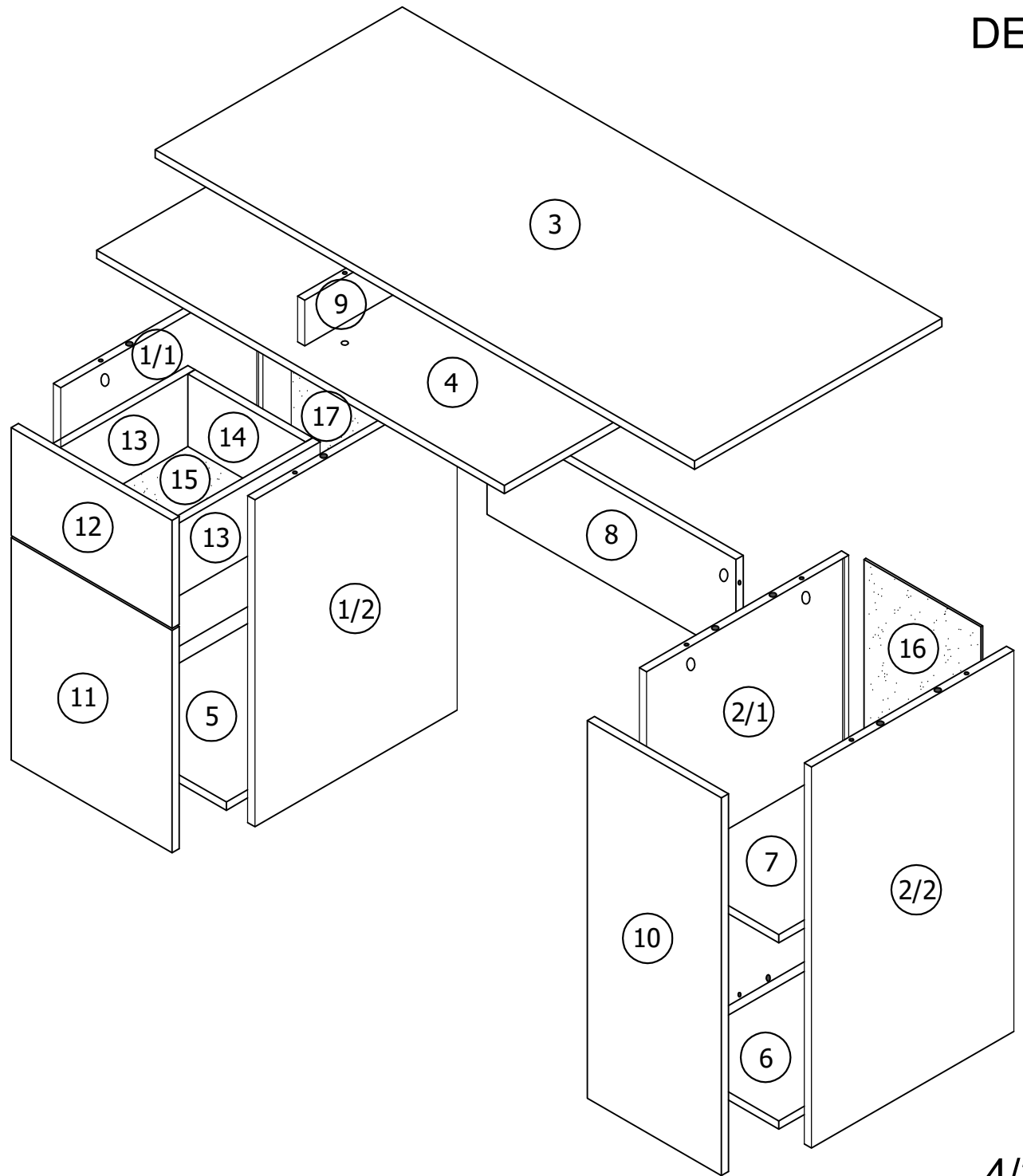
DESK

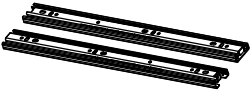

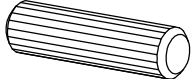
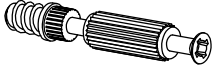

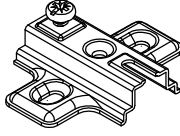



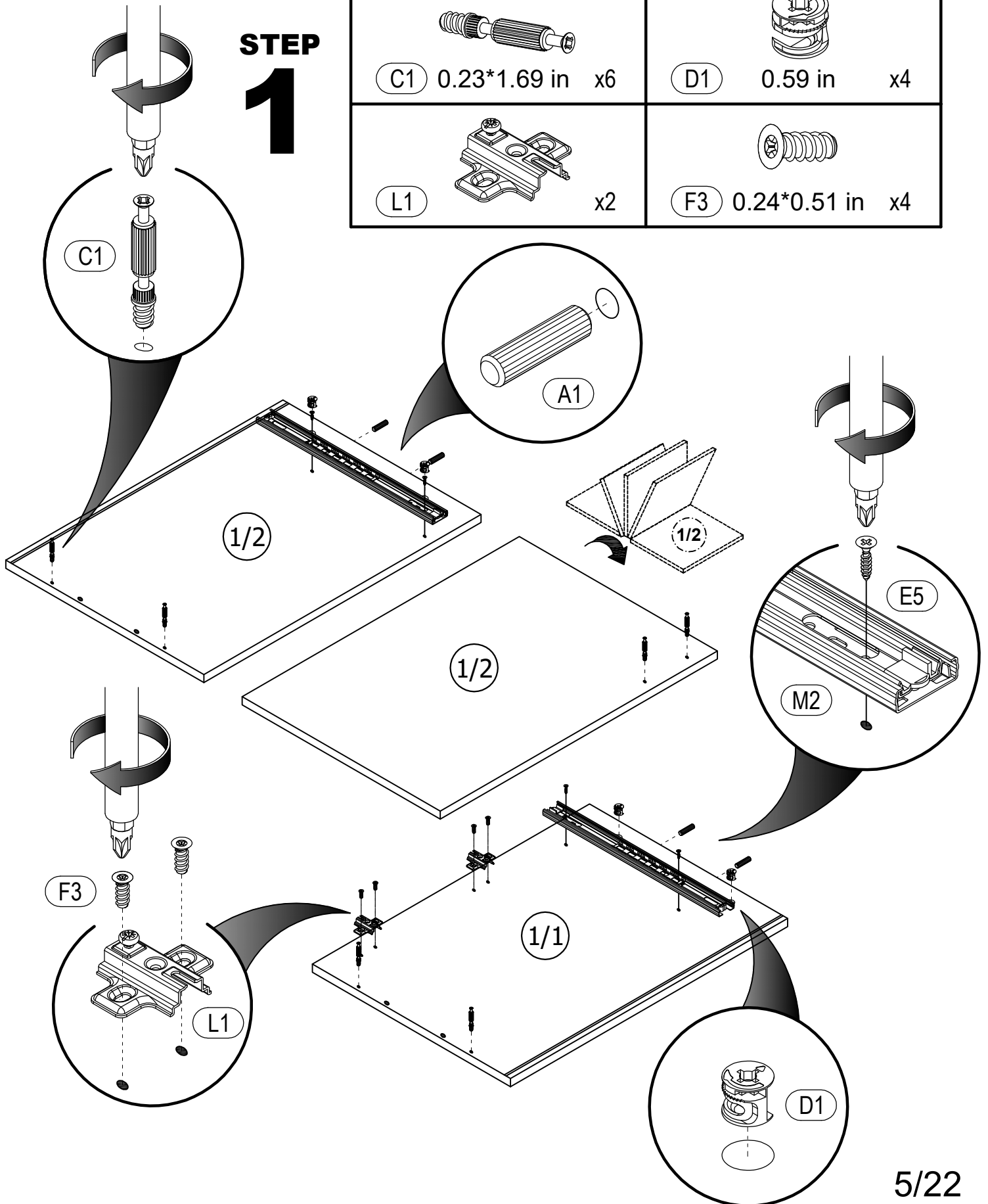


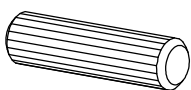
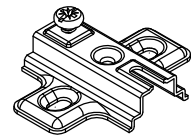
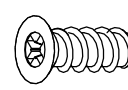
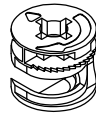
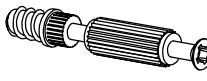
 <p>(M2) L- 13.77 in x1</p>	 <p>(E5) 0.13*0.62 in x36</p>	 <p>(L1) x4</p>
 <p>(F3) 0.24*0.51 in x8</p>	 <p>(U3) x4</p>	 <p>(K15) x8</p>
 <p>(S14) K-06 x1</p>	 <p>(H6) 0.31*1.96 in x1</p>	 <p>(E22) 0.16*2.55 in x1</p>
 <p>(C1) 0.23*1.69 in x28</p>	 <p>(D1) 0.59 in x28</p>	 <p>(D) Ø 0.78 in x28</p>
 <p>(B1) x6</p>	 <p>(B) Ø 0.47 in x6</p>	 <p>(A1) 0.31*1.18 in x18</p>
 <p>(J6) x4</p>	 <p>(R4) №4 x1</p>	 <p>(H2) x12</p>
 <p>(J1) 0.19*0.62 in x4</p>		

No	a*b	x
1/1	24.80x17.71 in	1
1/2	24.80x17.71 in	1
2/1	28.89x17.71 in	1
2/2	28.89x17.71 in	1
3	47.24x21.65 in	1
4	35.70x17.71 in	1
5	12.59x17.71 in	1
6	10.23x17.71 in	1
7	10.23x16.92 in	1
8	21.81x7.48 in	1
9	14.01x3.46 in	1
10	28.66x11.73 in	1
11	16.85x14.09 in	1
12	8.18x14.09 in	1
13	13.77x5.51 in	2
14	10.31x5.51 in	1
15	13.50x10.62 in	1
16	28.38x10.62 in	1
17	24.29x12.99 in	1

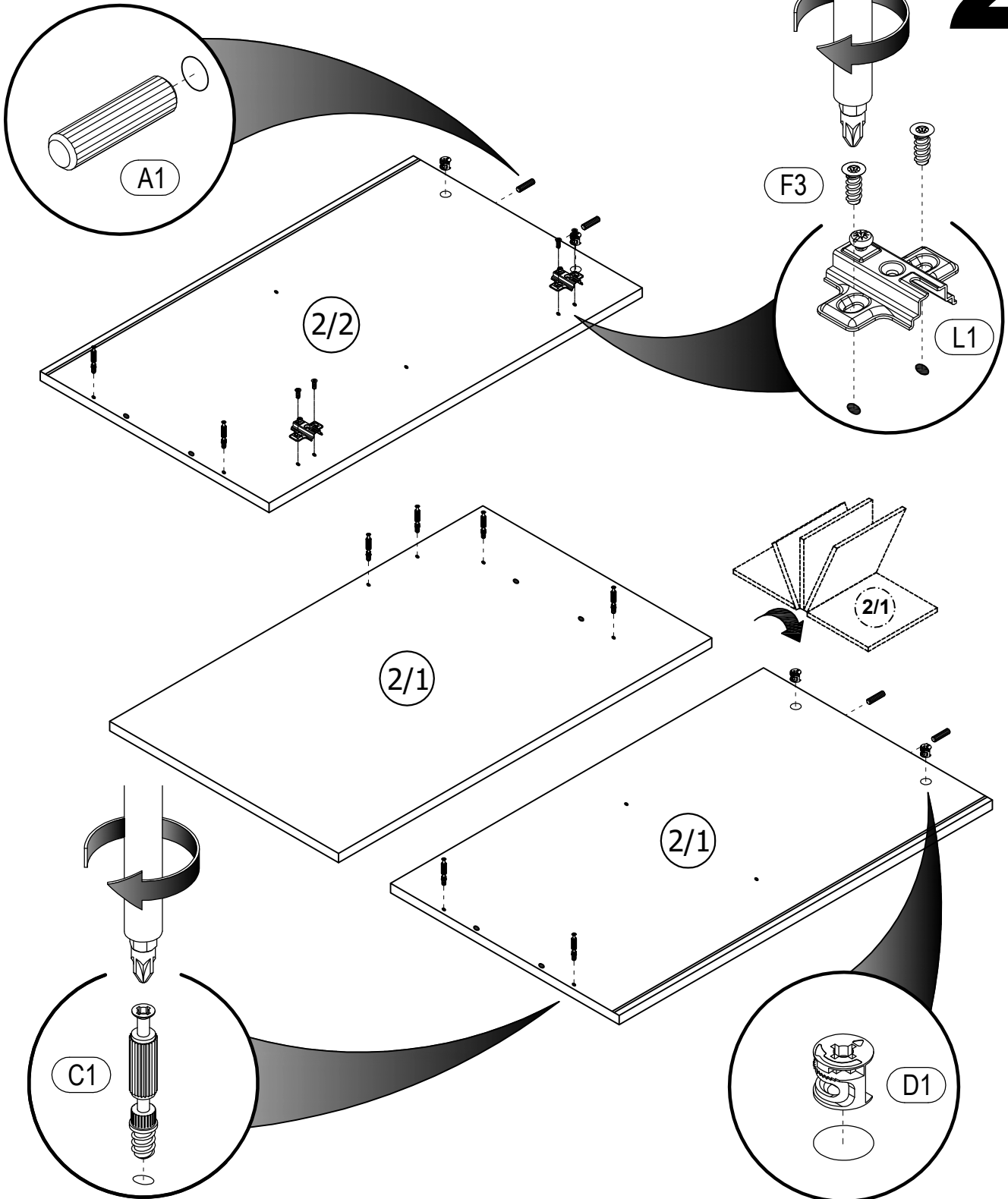


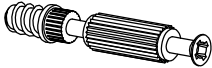

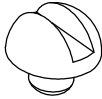

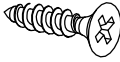

 <p>(M2) L- 13.77 in x1</p>	 <p>(E5) 0.13*0.62 in x4</p>	 <p>(A1) 0.31*1.18 in x4</p>
<p>STEP 1</p>	 <p>(C1) 0.23*1.69 in x6</p>	 <p>(D1) 0.59 in x4</p>
 <p>(L1) x2</p>	 <p>(F3) 0.24*0.51 in x4</p>	



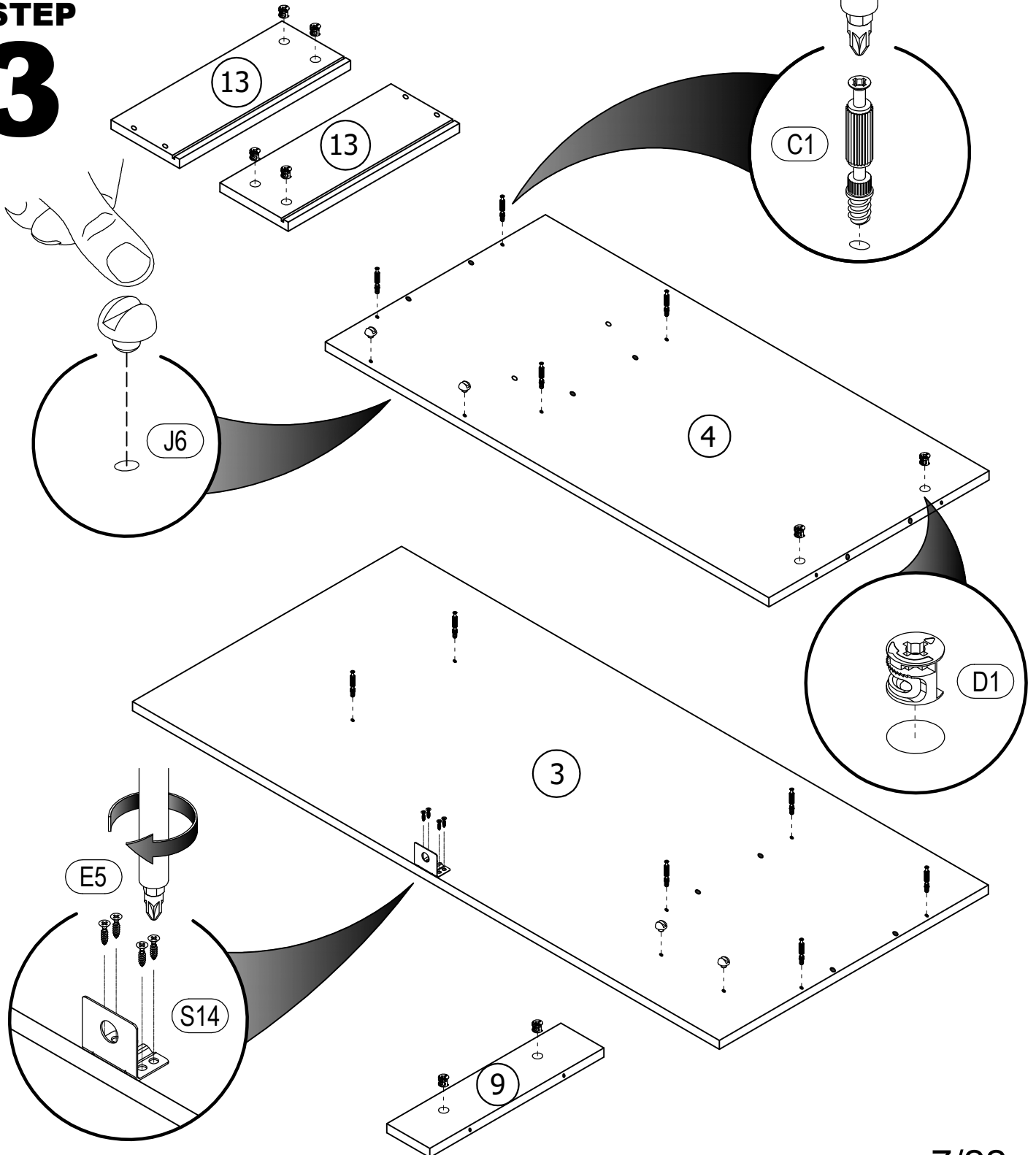
 A1 0.31*1.18 in x4	 L1 x2	 F3 0.24*0.51 in x4
 D1 0.59 in x4	 C1 0.23*1.69 in x8	

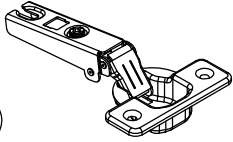

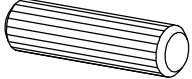
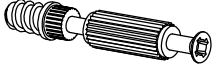

STEP
2

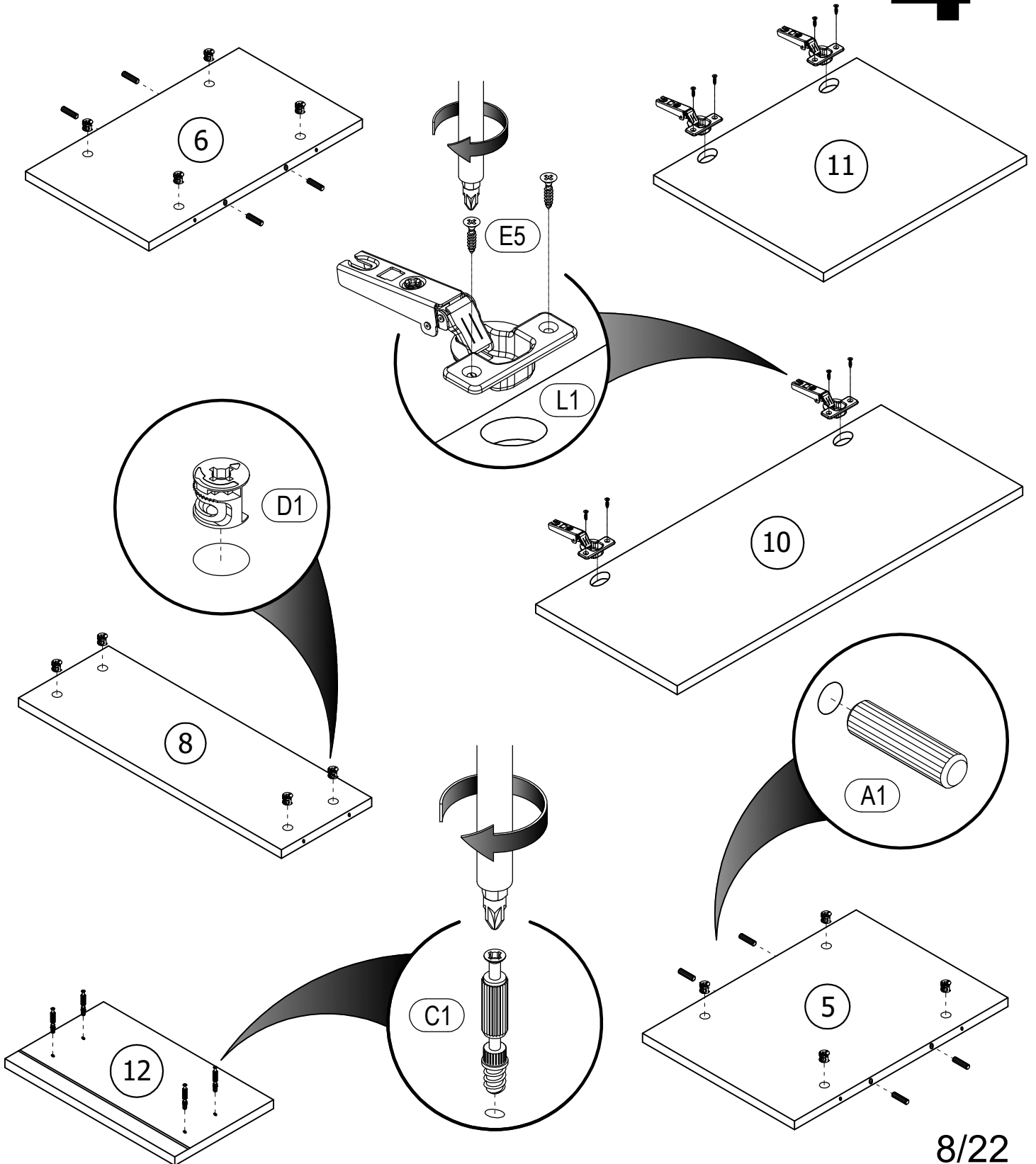


 (C1) 0.23*1.69 in x10	 (D1) 0.59 in x8	 (J6) x4
 (S14) K-06 x1	 (E5) 0.13*0.62 in x4	

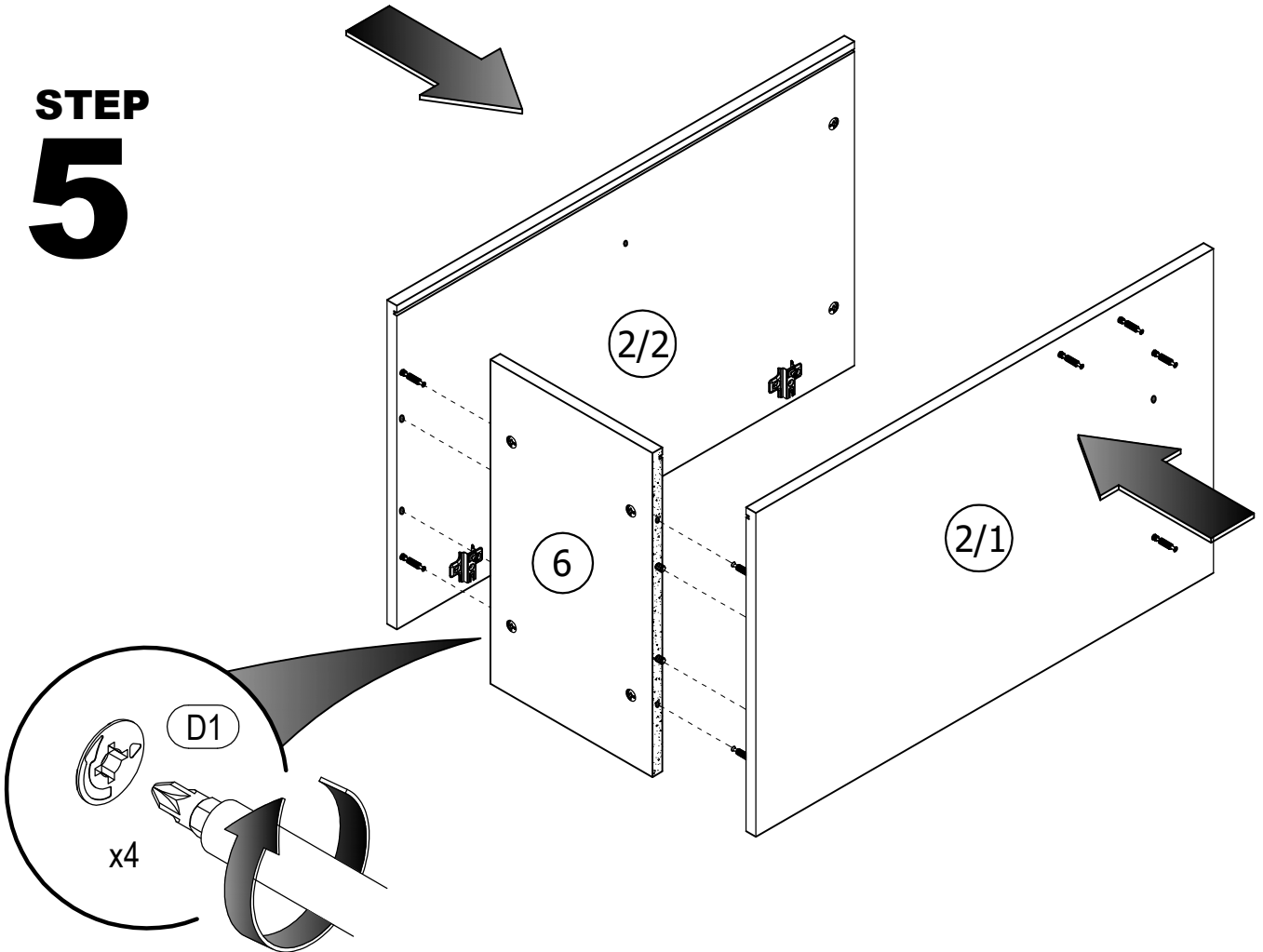
STEP
3



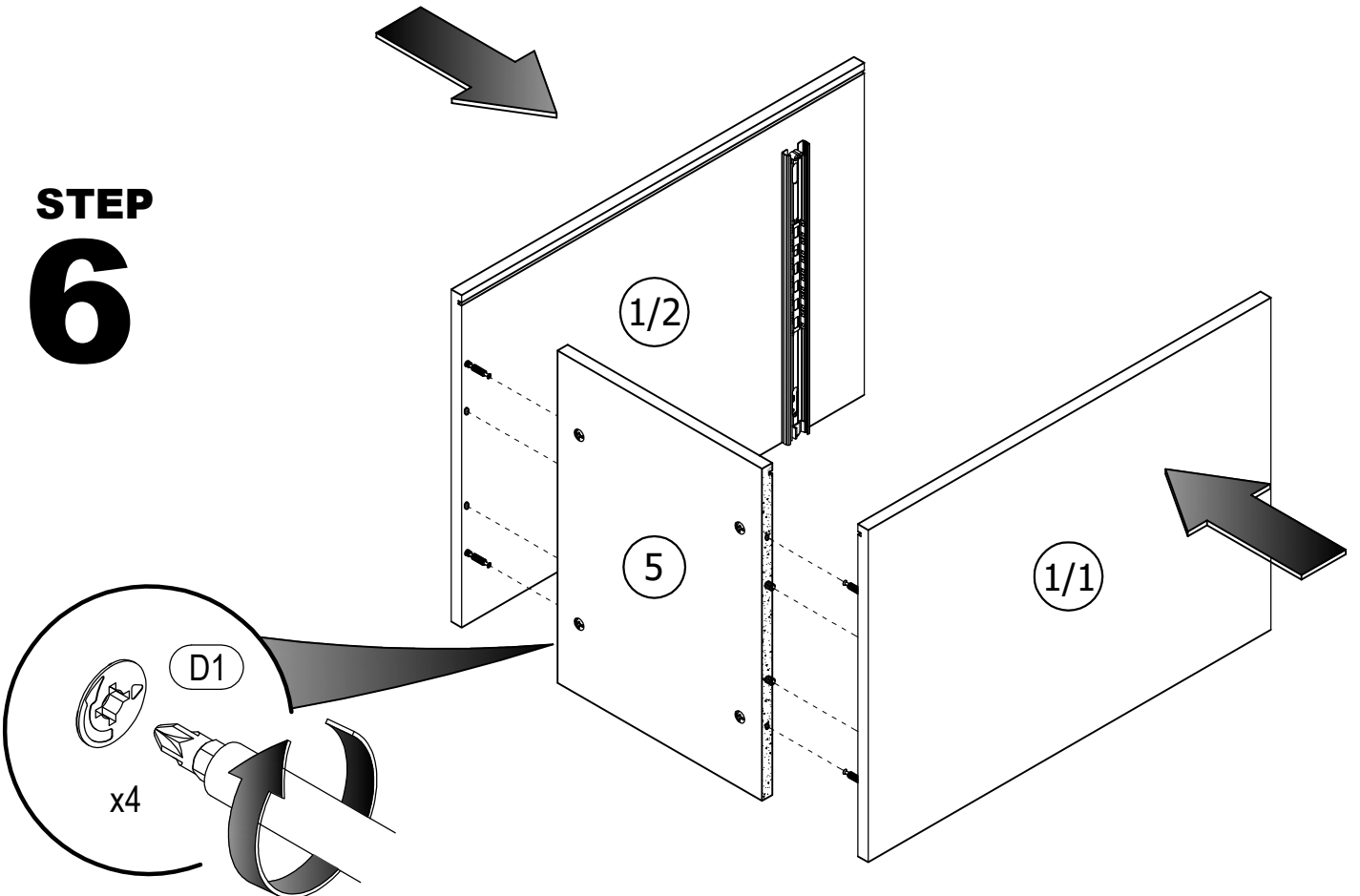
 <p>(L1) x4</p>	 <p>(D1) 0.59 in x12</p>	 <p>(A1) 0.31*1.18 in x8</p>
 <p>(C1) 0.23*1.69 in x4</p>	 <p>(E5) 0.13*0.62 in x8</p>	<p>STEP 4</p>



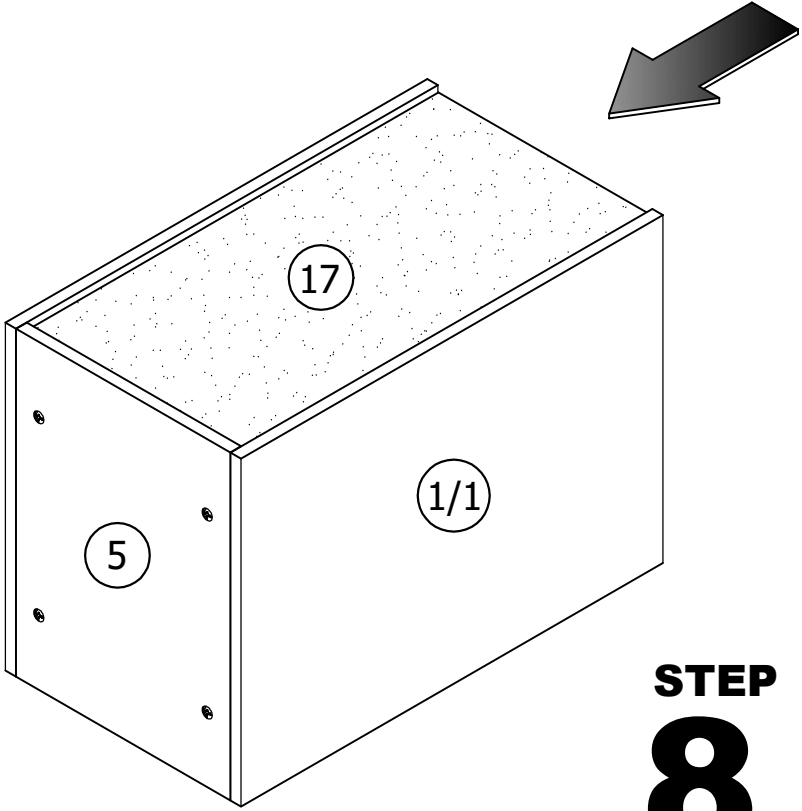
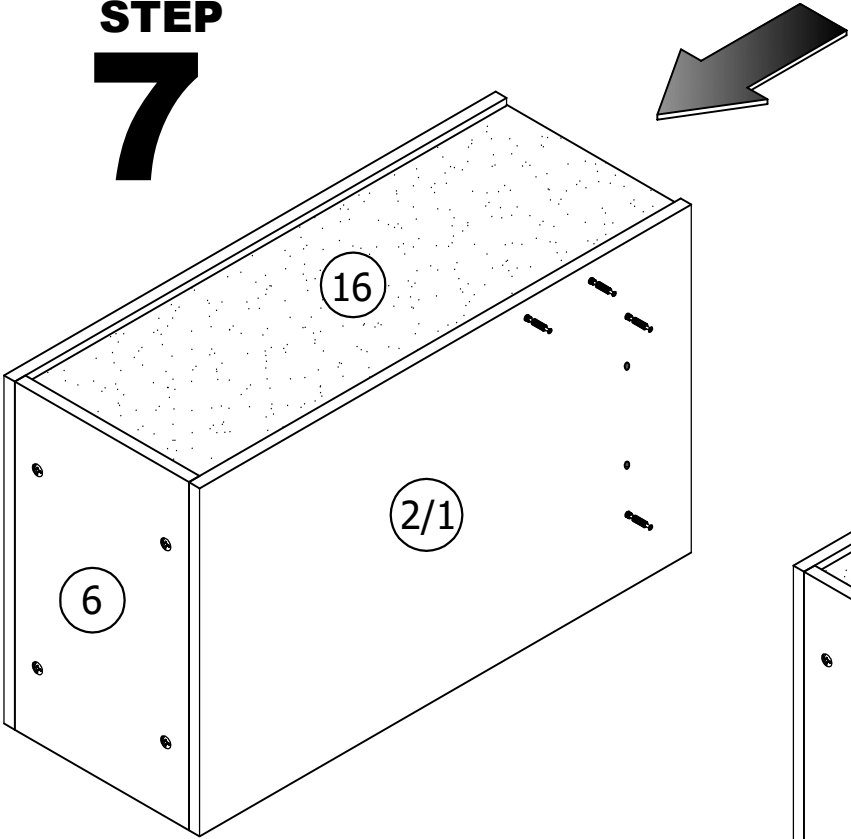
STEP
5



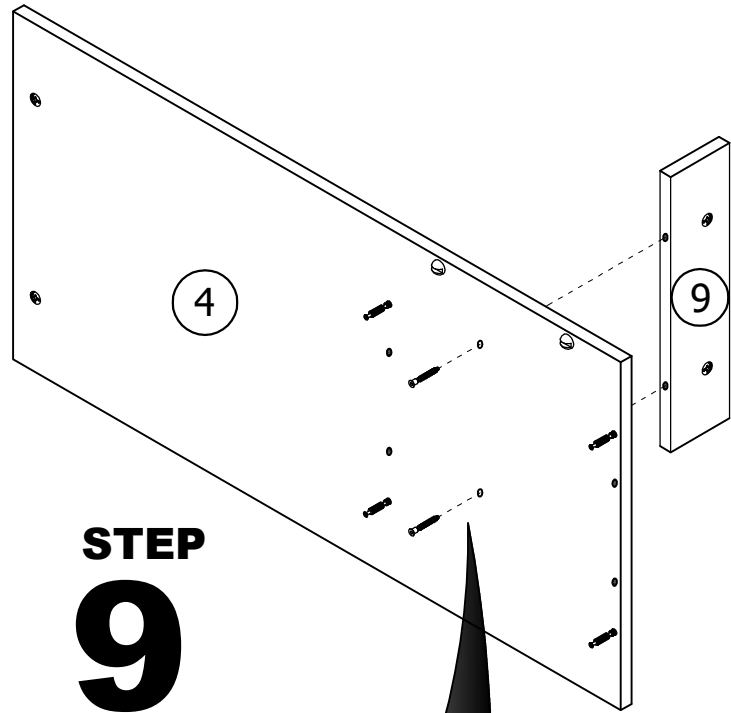
STEP
6



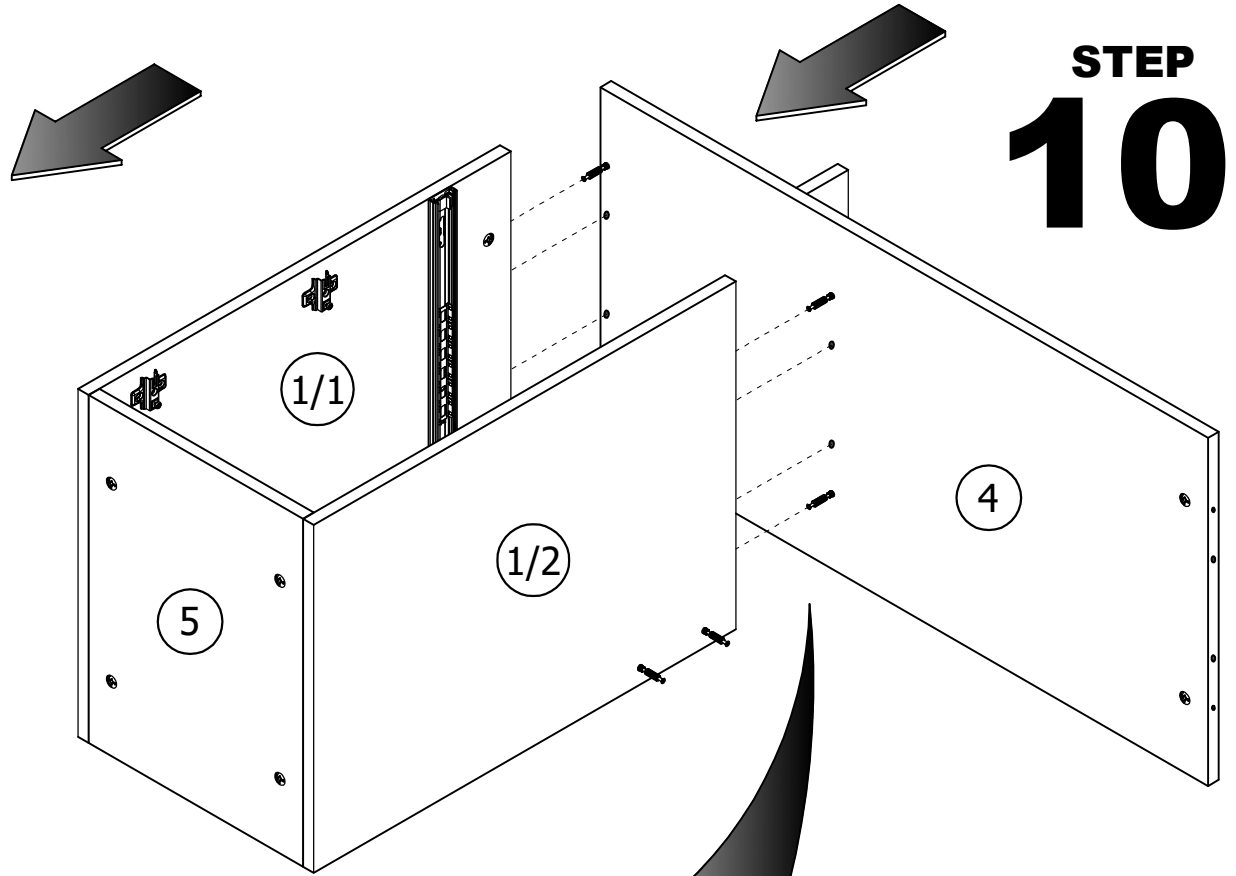
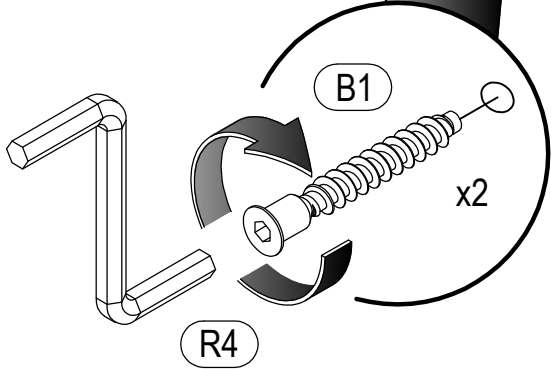
STEP
7



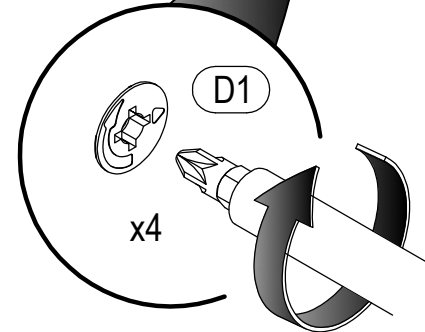
STEP
8



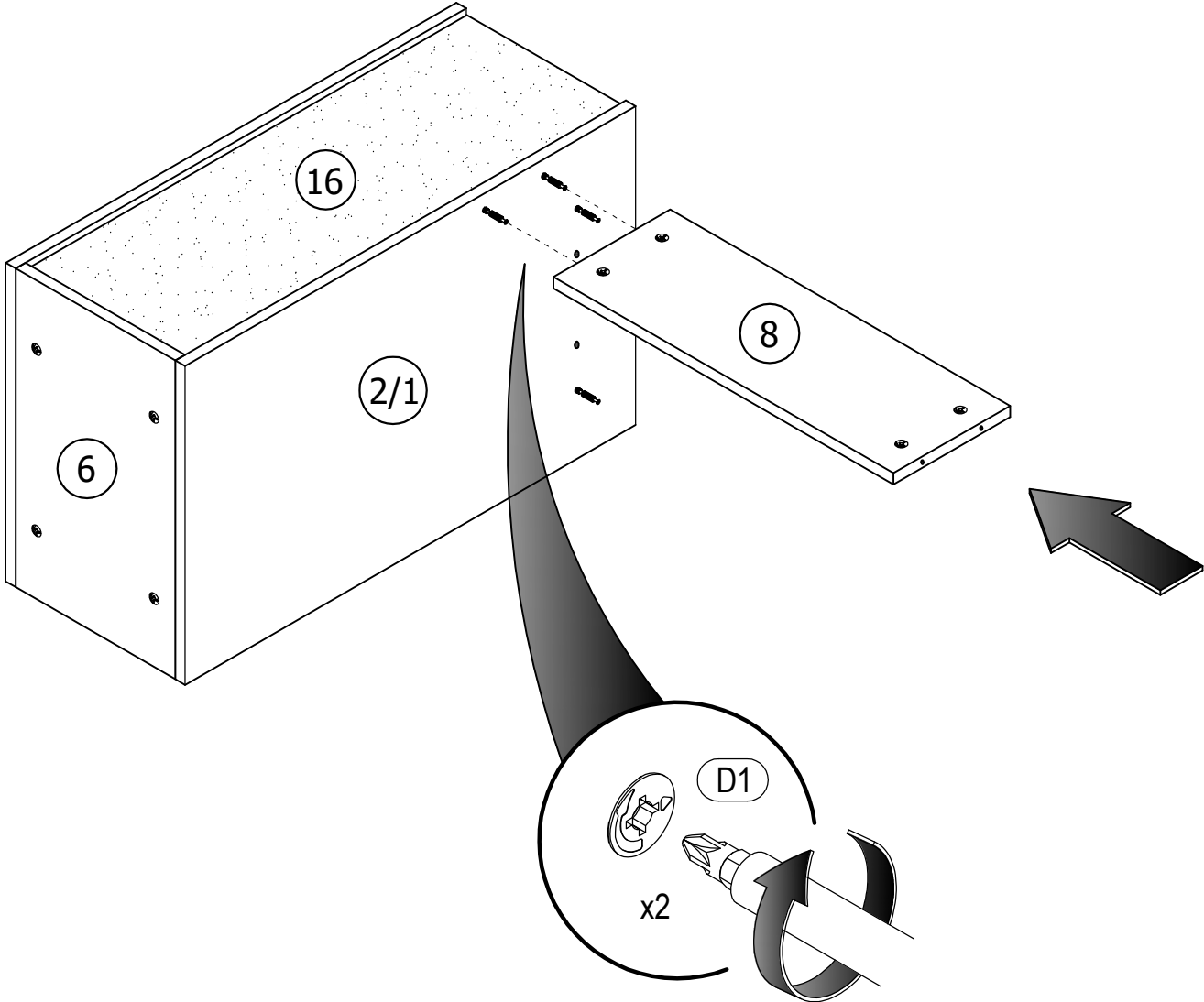
STEP
9



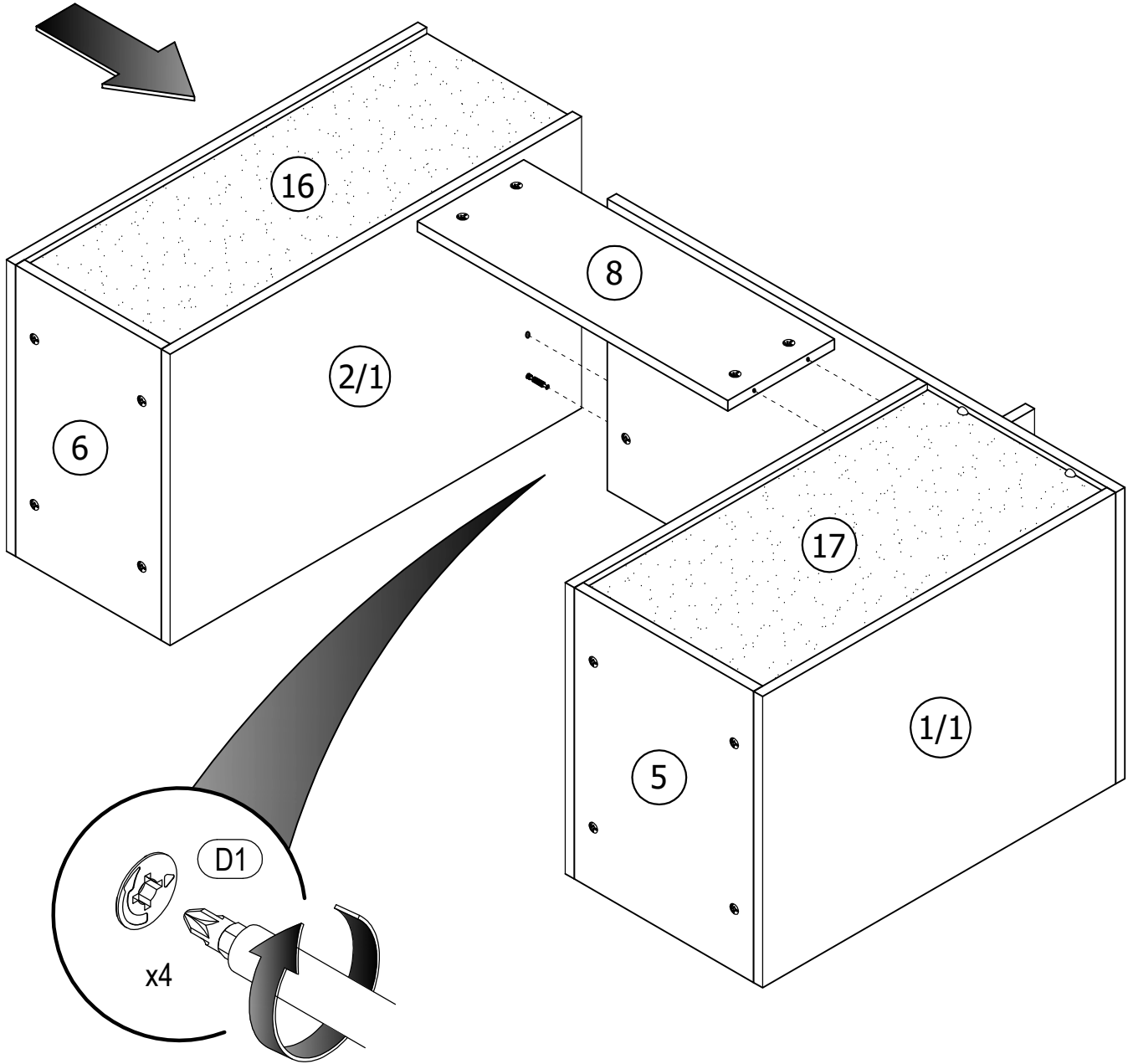
STEP
10



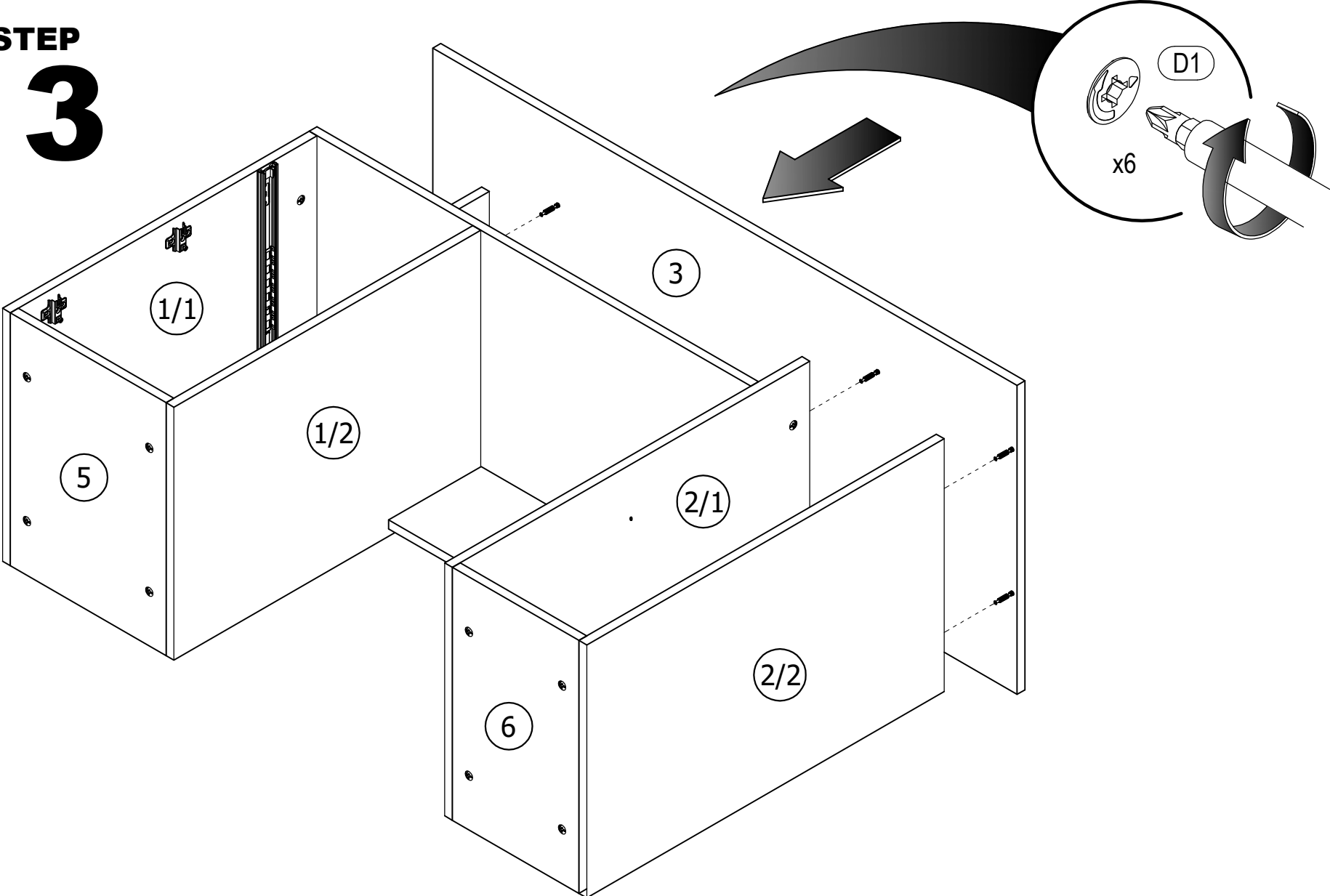
STEP
11



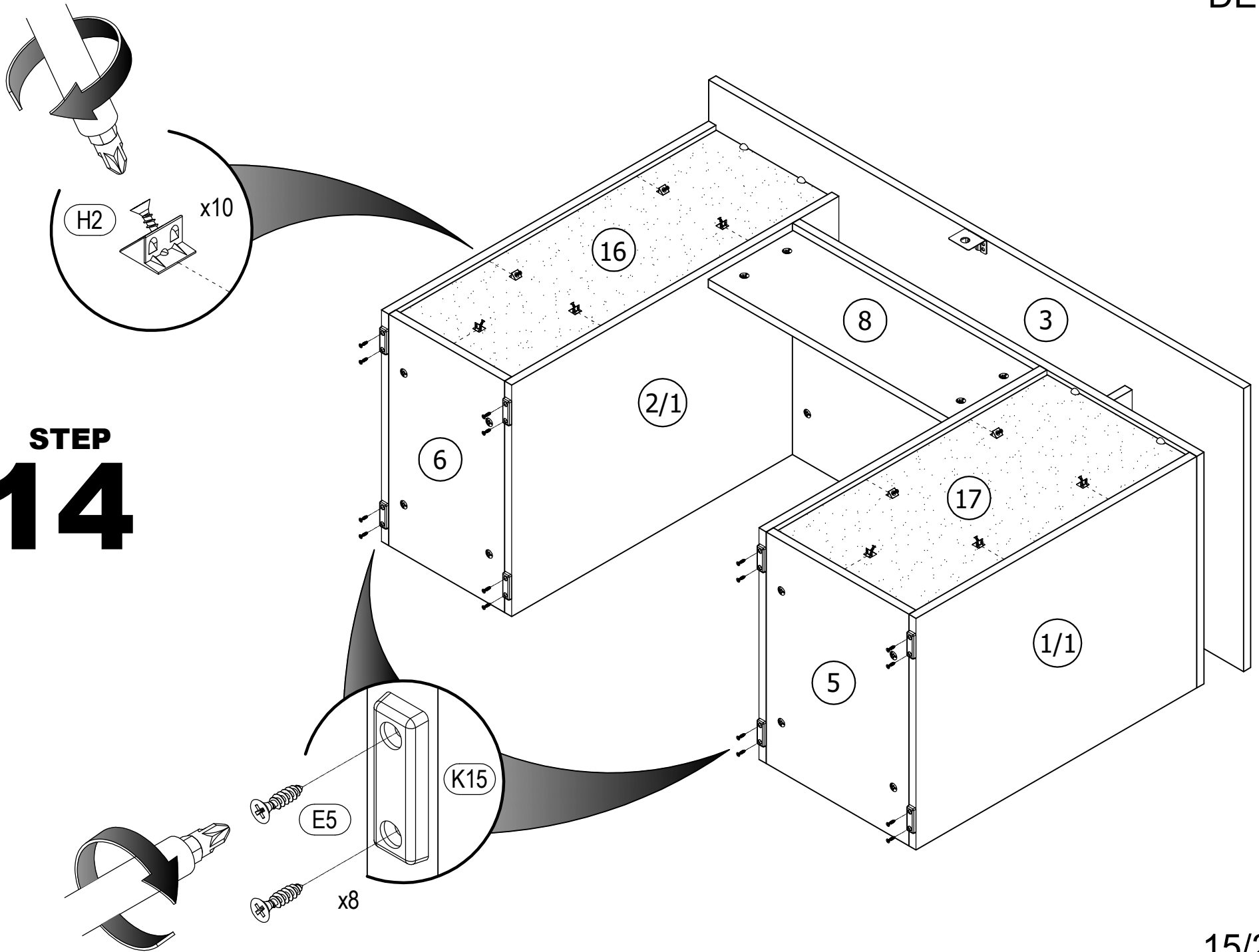
STEP
12



STEP
13



STEP
14

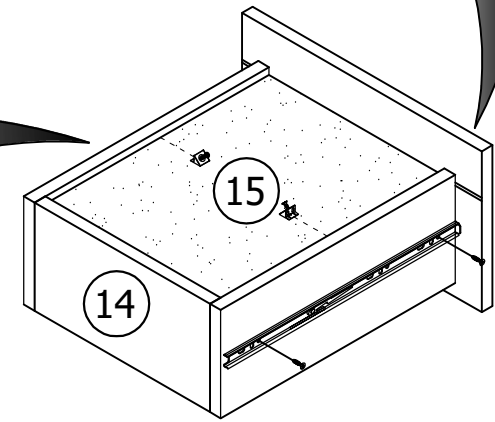
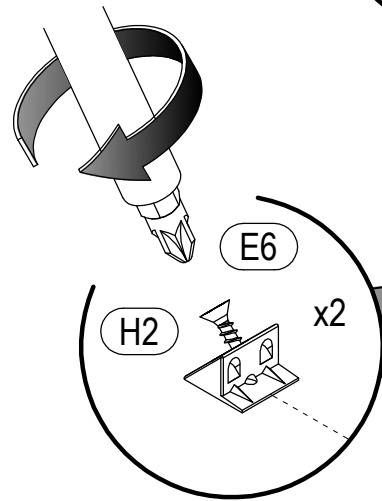
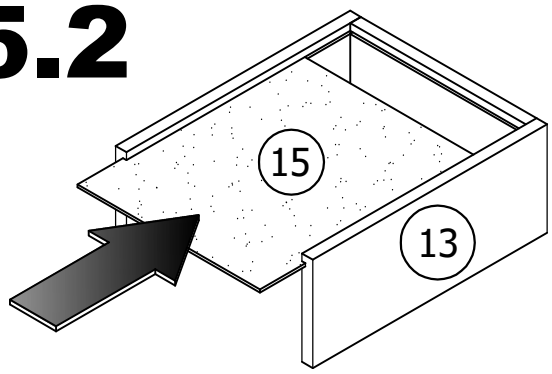
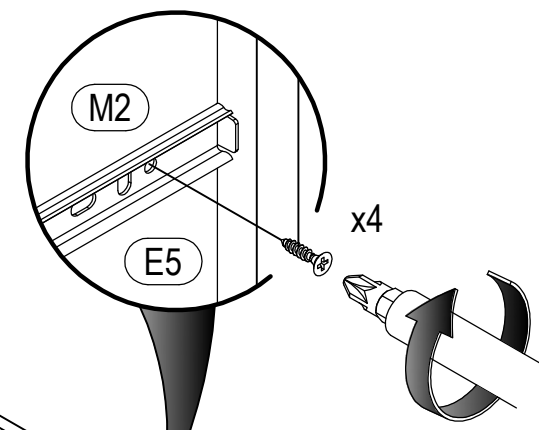
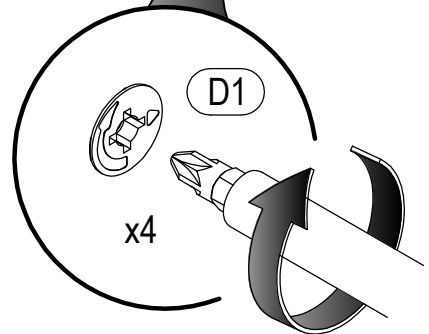
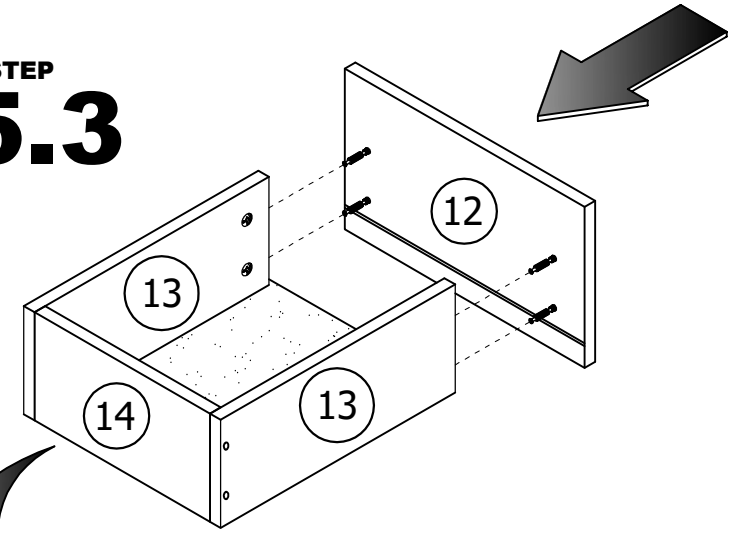
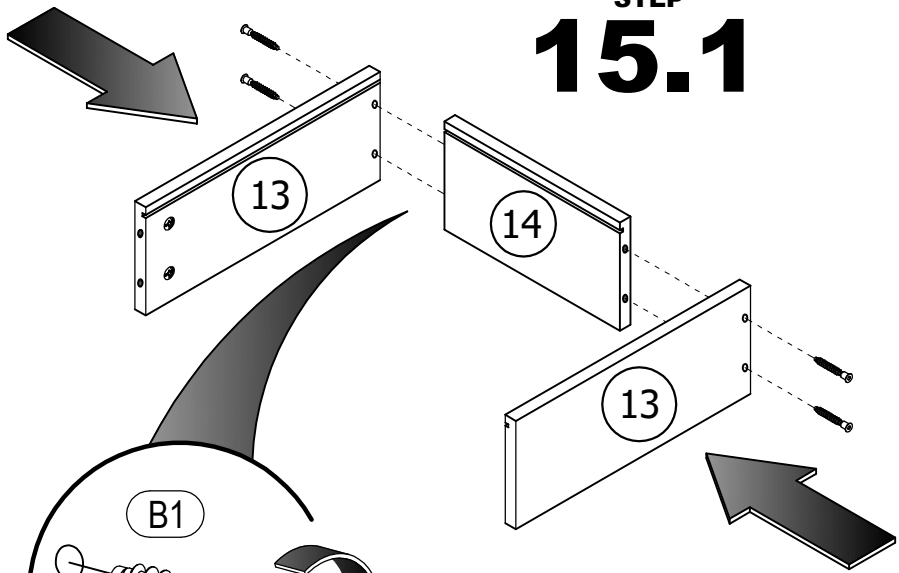


STEP
15.1

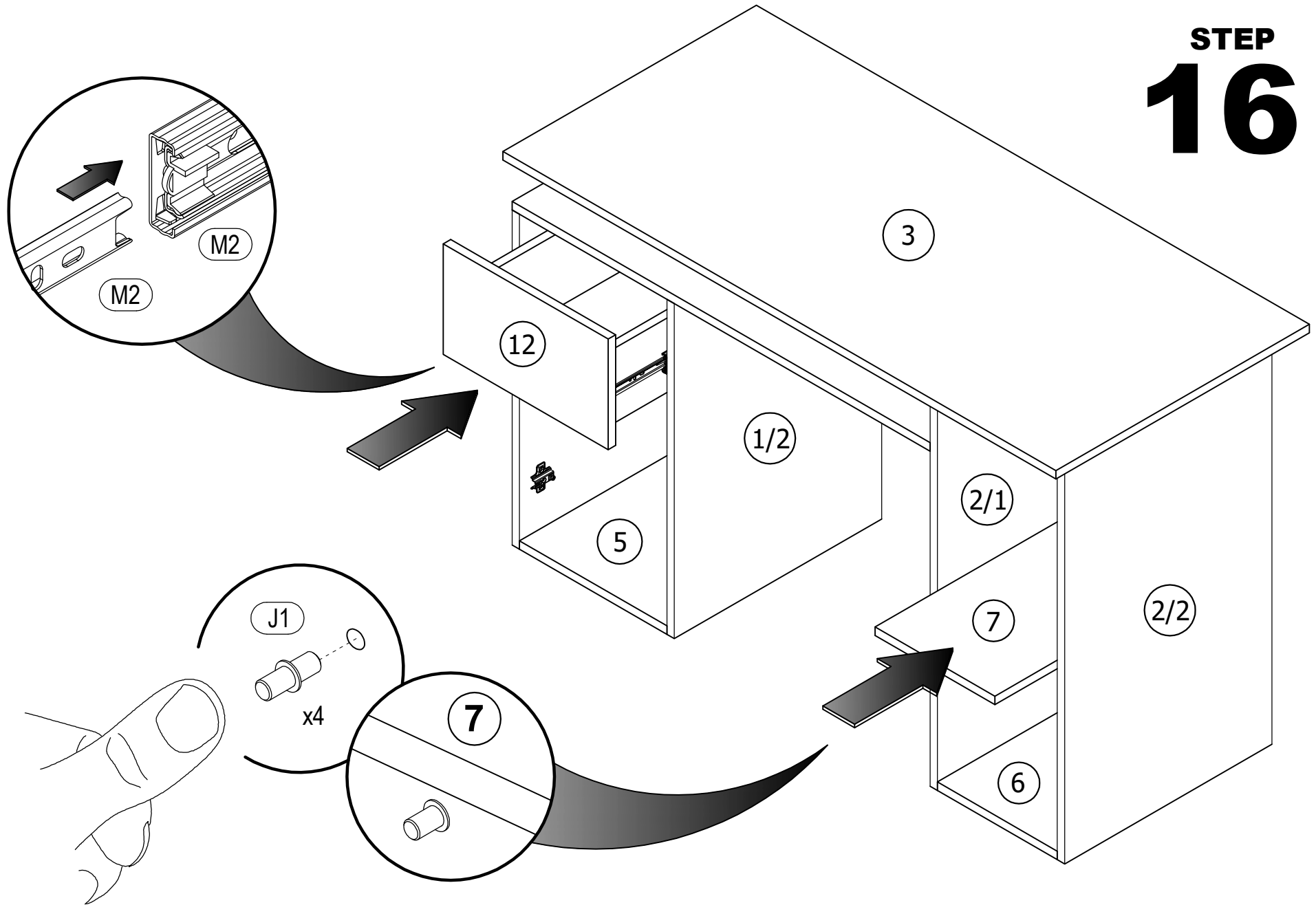
STEP
15.3

STEP
15.2

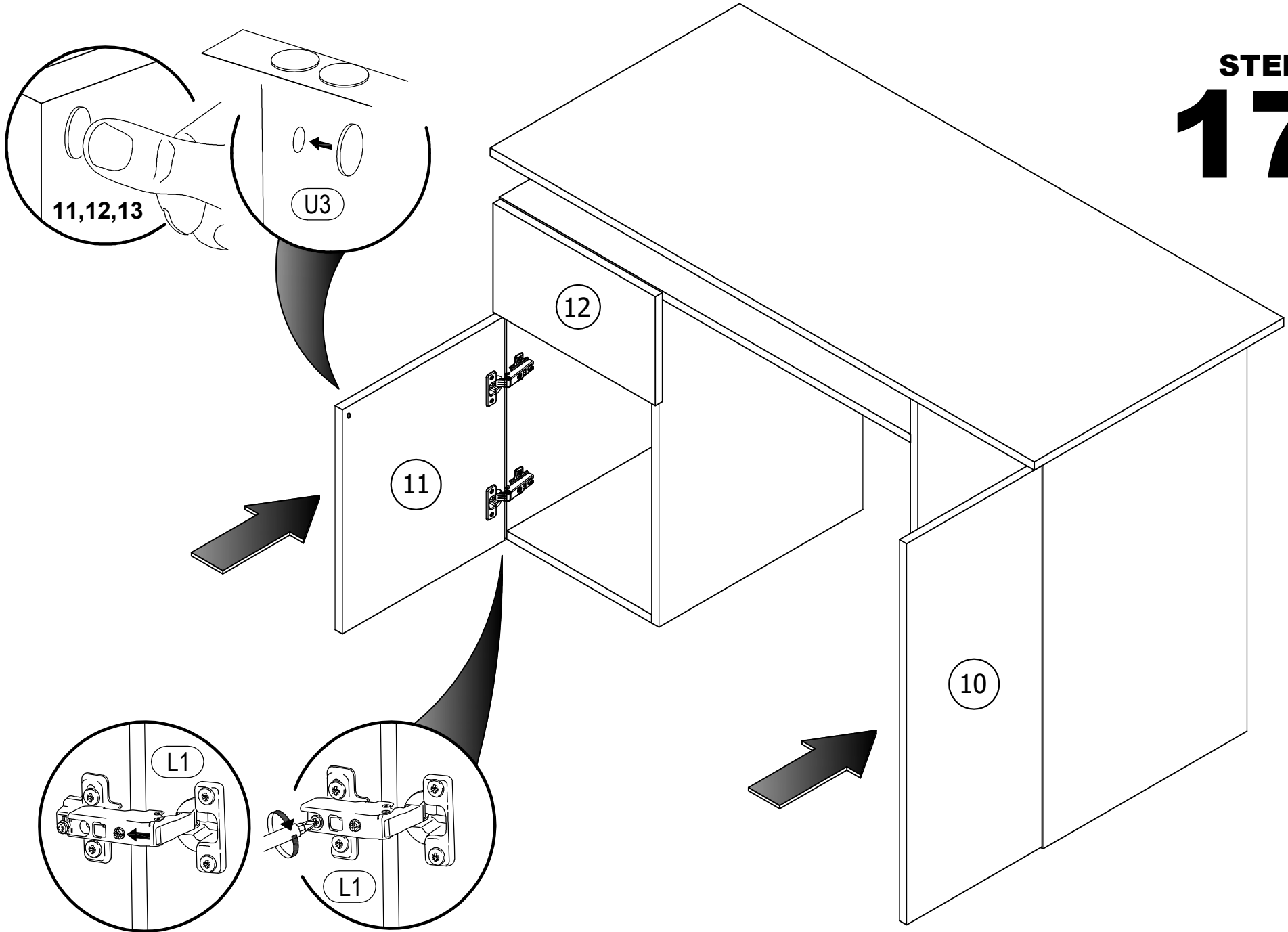
STEP
15.4



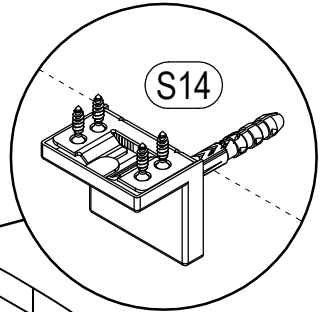
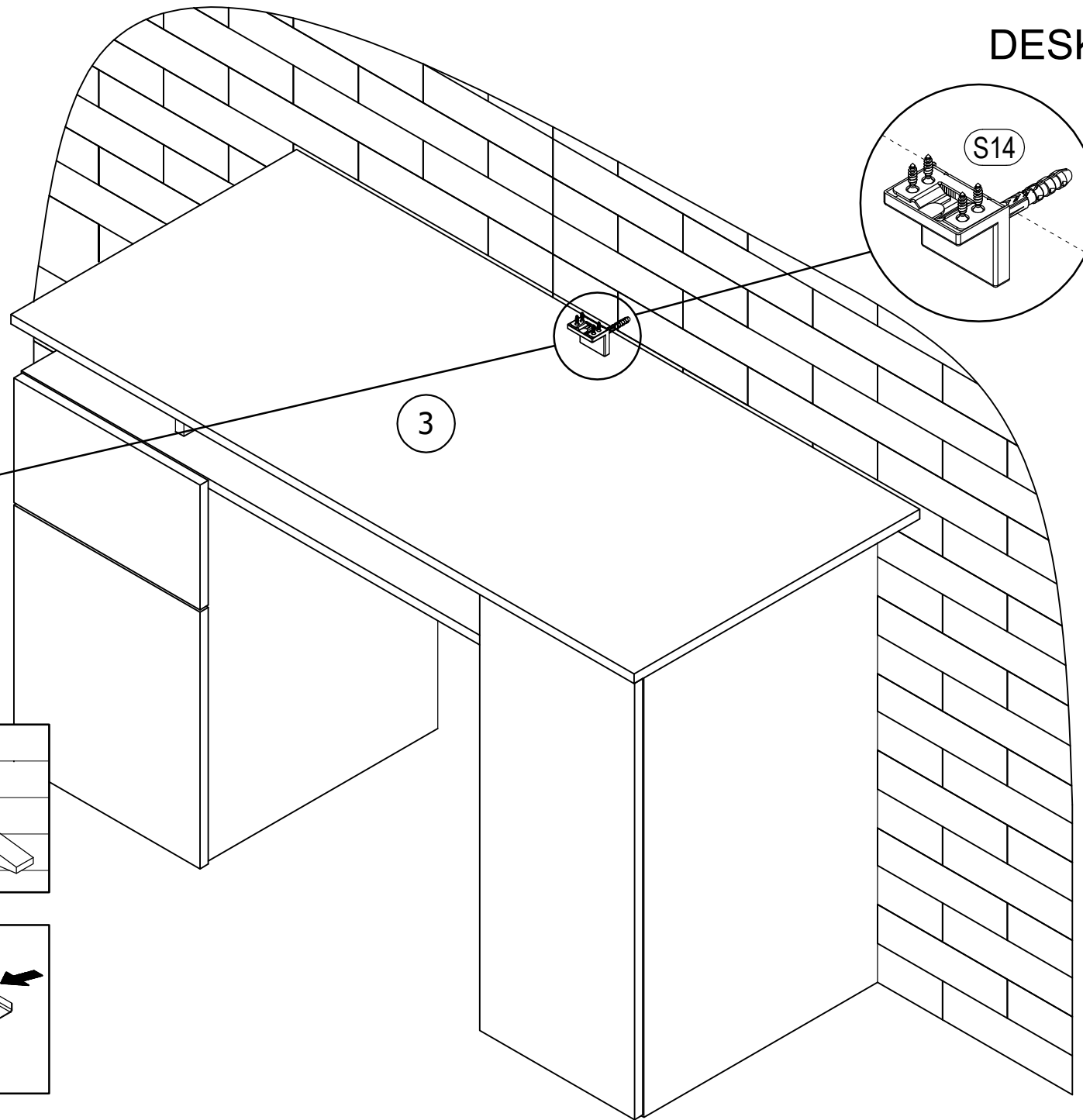
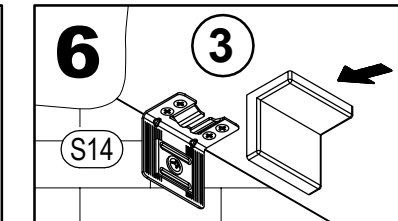
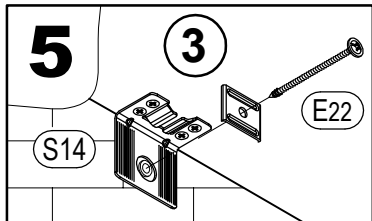
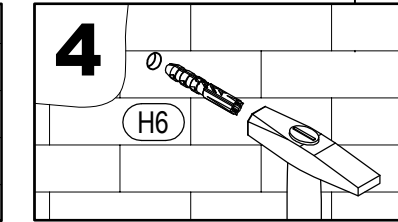
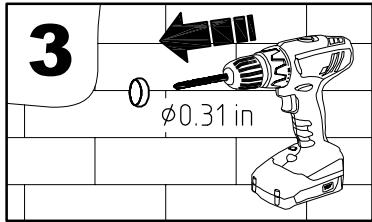
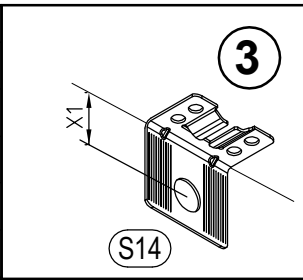
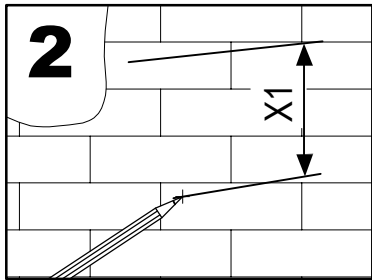
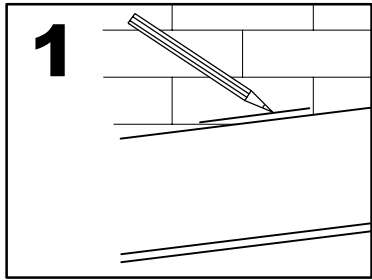
STEP
16



STEP
17



STEP 18



STEP 19

DESK

