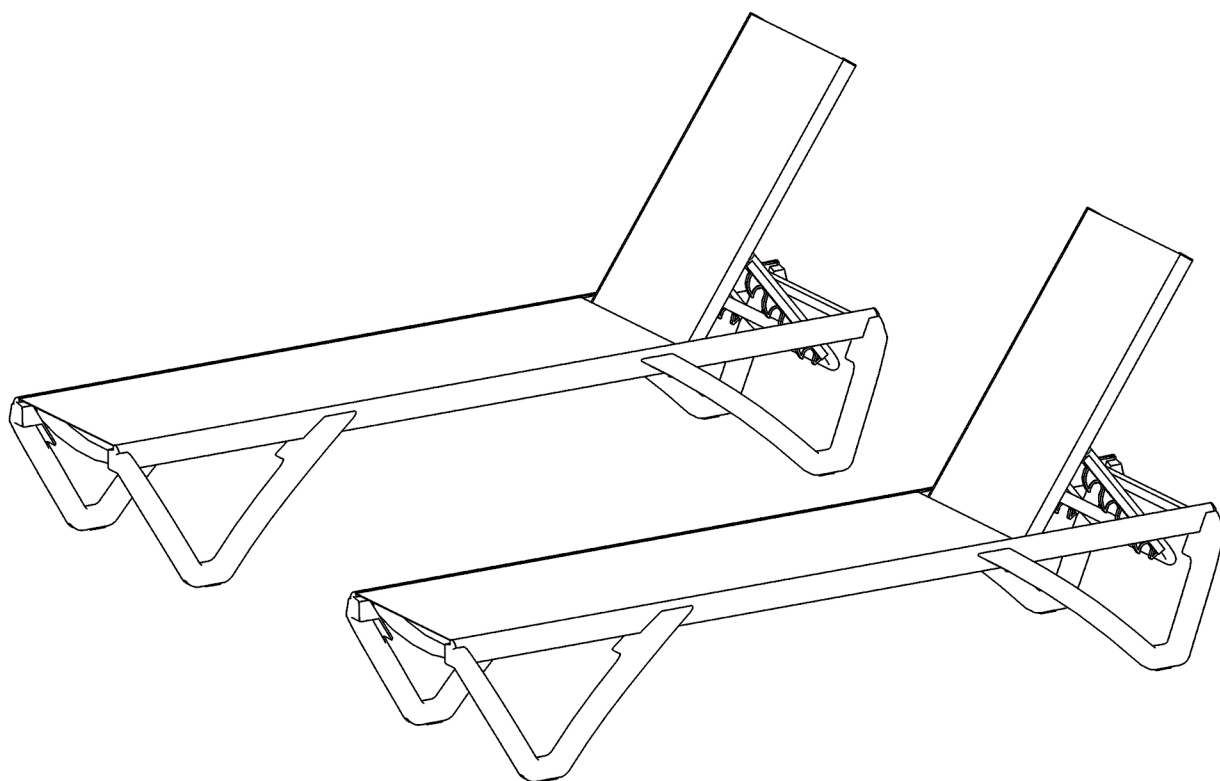
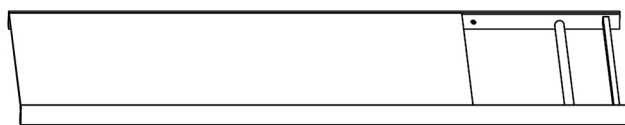


PATIO LOUNGE CHAIR

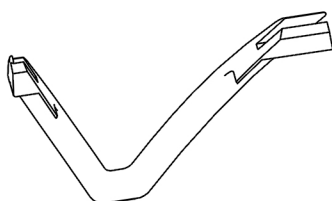
ASSEMBLY MANUAL



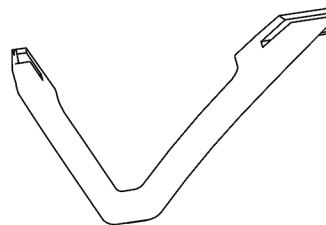
(A) 2X Main Seat Frame



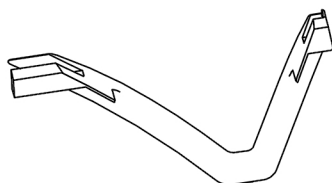
(B) 2X Leg



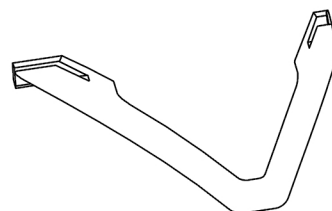
(C) 2X Leg



(D) 2X Leg



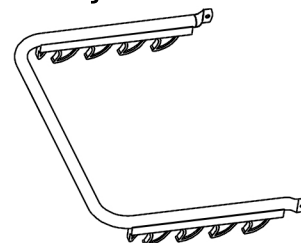
(E) 2X Leg



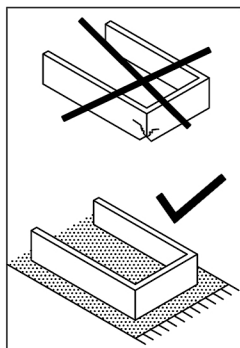
(F) 2X Back



(G) 2X Adjustment Tube



Please assemble the lounge chair on the carton or carpet to avoid scratch.



(H) 24X Bolts



M6X30

(J) 4X Bolts



M6X35

(K) 4X Bolts

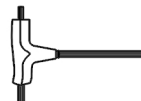


M6X20

(M) 4X Plastic Cylinder



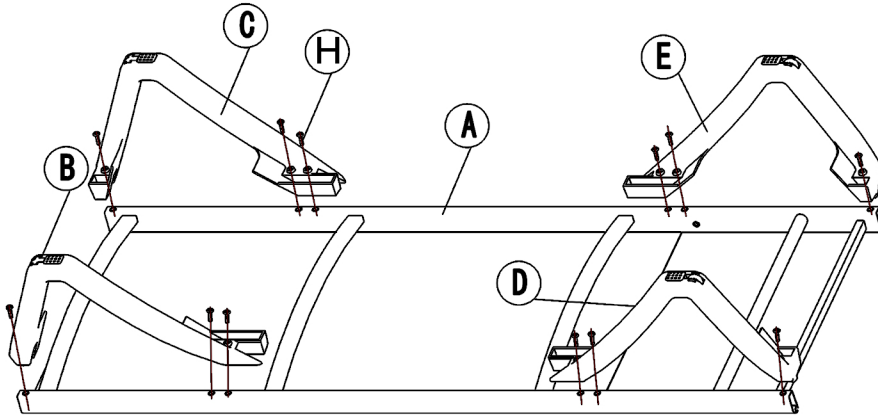
(N) 1X Allen Wrench



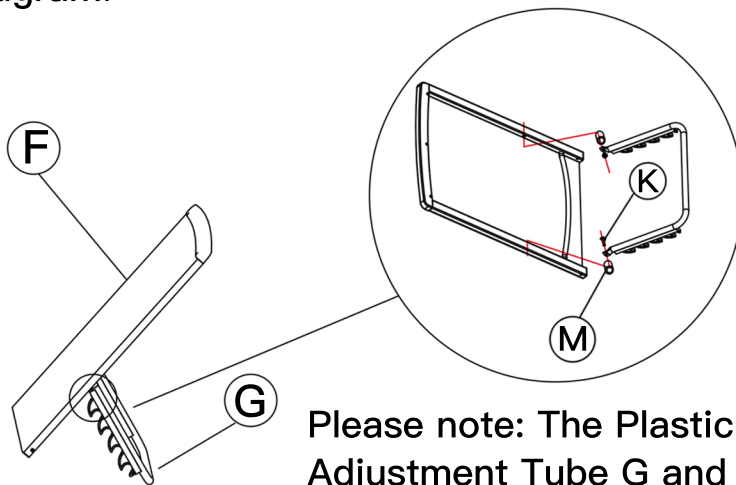
1

! Warm Tip: Please don't tighten screws before finish assemble.

Step 1: Fix 4 legs (Parts B,C, D, E) to Main Seat Frame A separately using 12X Bolts H (M6×30) as shown in diagram.



Step 2: Link Adjustment Tube G to Back F using Bolts K (M6×20) as shown in diagram.



Step 3: Connect Back F to Main Seat Frame A using Bolts J (M6×35) as shown in diagram.

