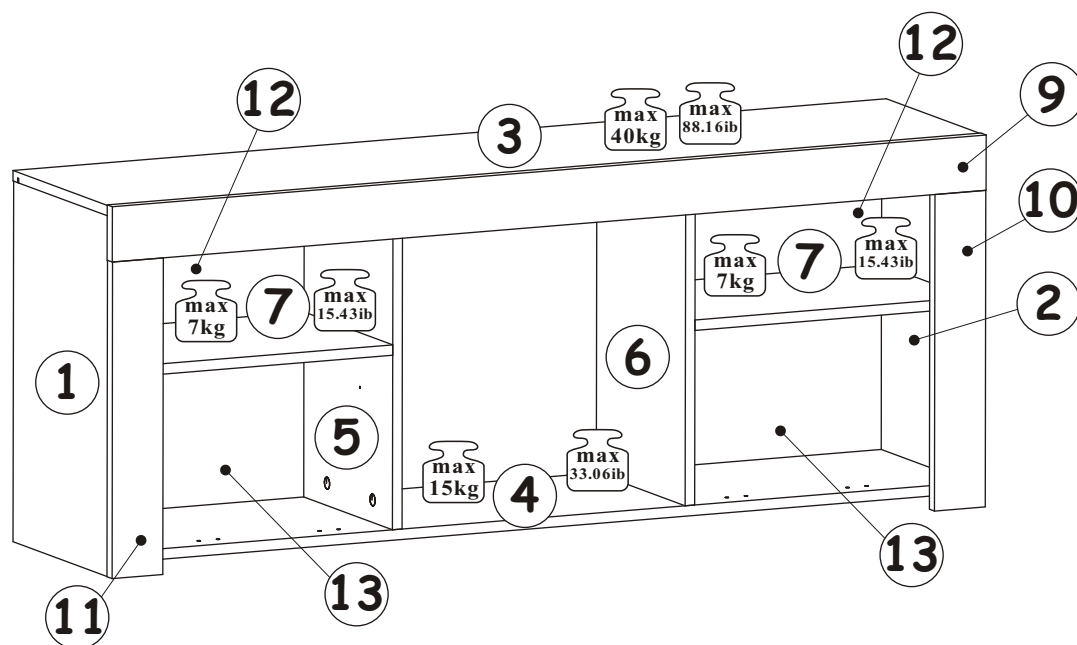
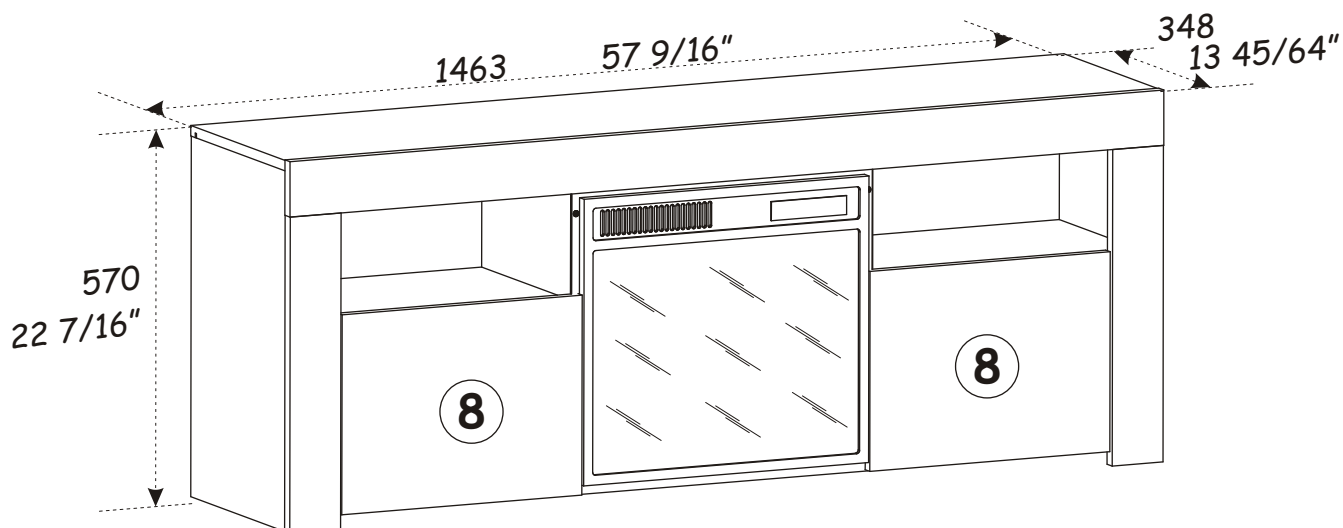
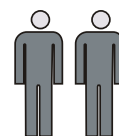


TV STAND

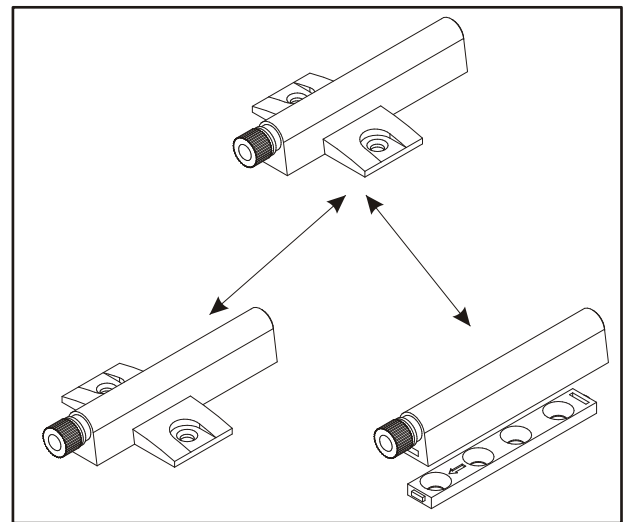
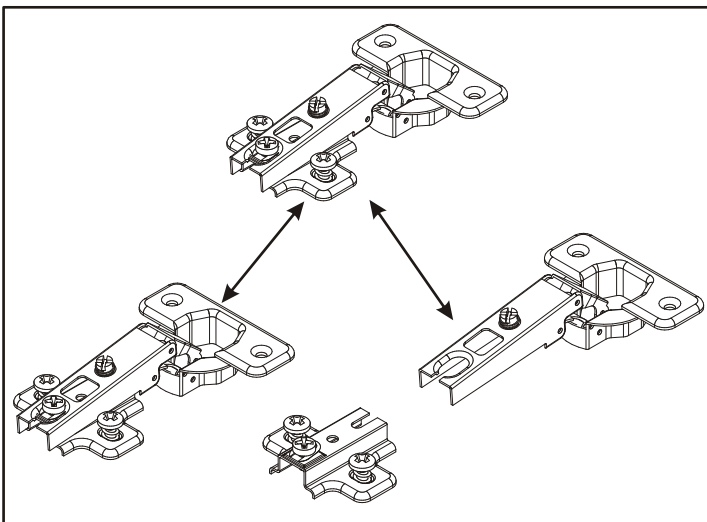
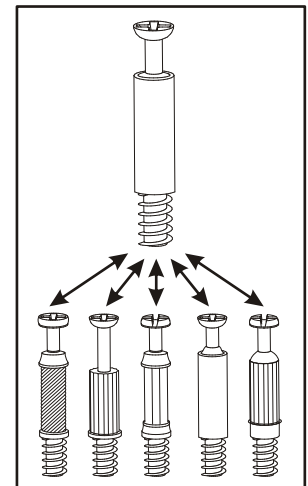
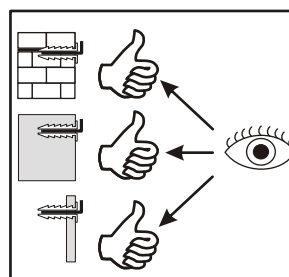
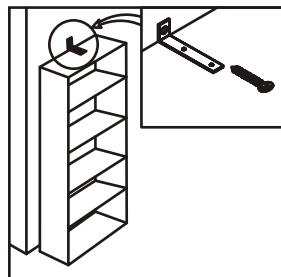
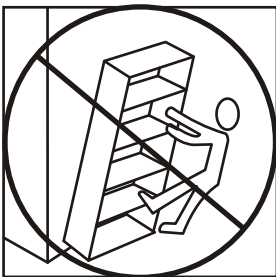
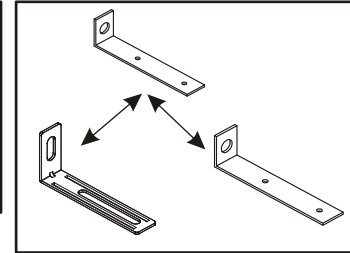
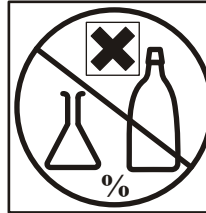
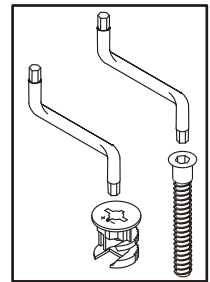
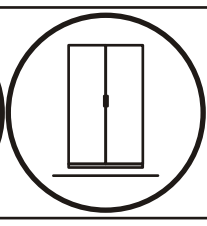
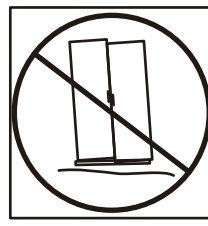
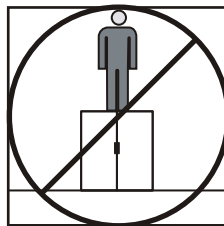
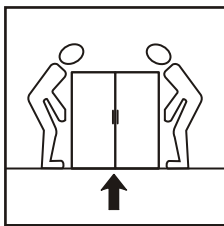
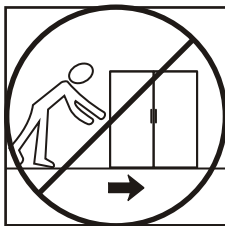
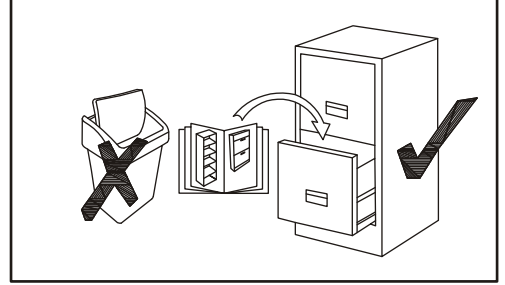
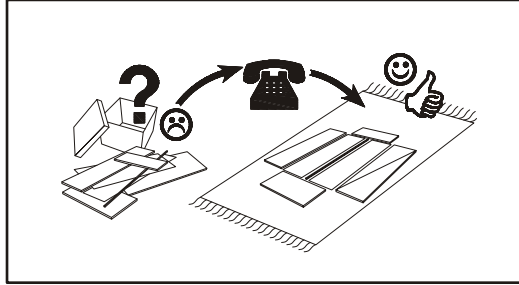
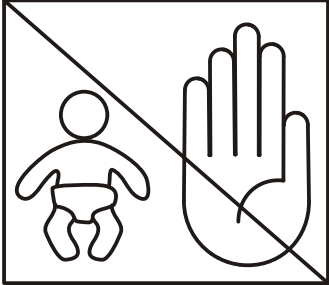
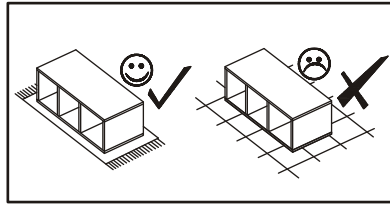
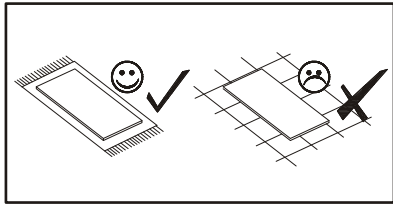


| | | | | | |
|----|------|-----|----|---|---|
| 1 | 554 | 332 | 16 | 1 | 1 |
| 2 | 554 | 332 | 16 | 1 | 1 |
| 3 | 1462 | 332 | 16 | 2 | 1 |
| 4 | 1428 | 312 | 16 | 2 | 1 |
| 5 | 518 | 312 | 16 | 1 | 1 |
| 6 | 518 | 312 | 16 | 1 | 1 |
| 7 | 461 | 312 | 16 | 1 | 2 |
| 8 | 402 | 307 | 16 | 1 | 2 |
| 9 | 1463 | 85 | 18 | 2 | 1 |
| 10 | 486 | 85 | 18 | 2 | 1 |
| 11 | 486 | 85 | 18 | 2 | 1 |
| 12 | 480 | 248 | 3 | 2 | 2 |
| 13 | 480 | 289 | 3 | 2 | 2 |

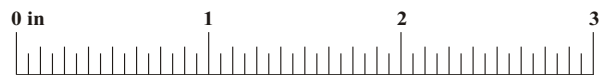
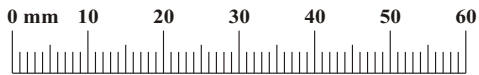
| | | | | | |
|----|----------|---------|-------|---|---|
| 1 | 21 13/16 | 13 5/64 | 5/8 | 1 | 1 |
| 2 | 21 13/16 | 13 5/64 | 5/8 | 1 | 1 |
| 3 | 59 9/16 | 13 5/64 | 5/8 | 2 | 1 |
| 4 | 56 7/32 | 12 9/32 | 5/8 | 2 | 1 |
| 5 | 19 17/32 | 12 9/32 | 5/8 | 1 | 1 |
| 6 | 19 17/32 | 12 9/32 | 5/8 | 1 | 1 |
| 7 | 17 61/64 | 12 9/32 | 5/8 | 1 | 2 |
| 8 | 15 53/64 | 13 3/32 | 5/8 | 1 | 2 |
| 9 | 57 13/64 | 3 11/32 | 45/64 | 2 | 1 |
| 10 | 18 17/64 | 3 11/32 | 45/64 | 2 | 1 |
| 11 | 18 17/64 | 3 11/32 | 45/64 | 2 | 1 |
| 12 | 18 57/64 | 8 57/64 | 1/8 | 2 | 1 |
| 13 | 18 57/64 | 11 3/8 | 1/8 | 2 | 1 |



90 min

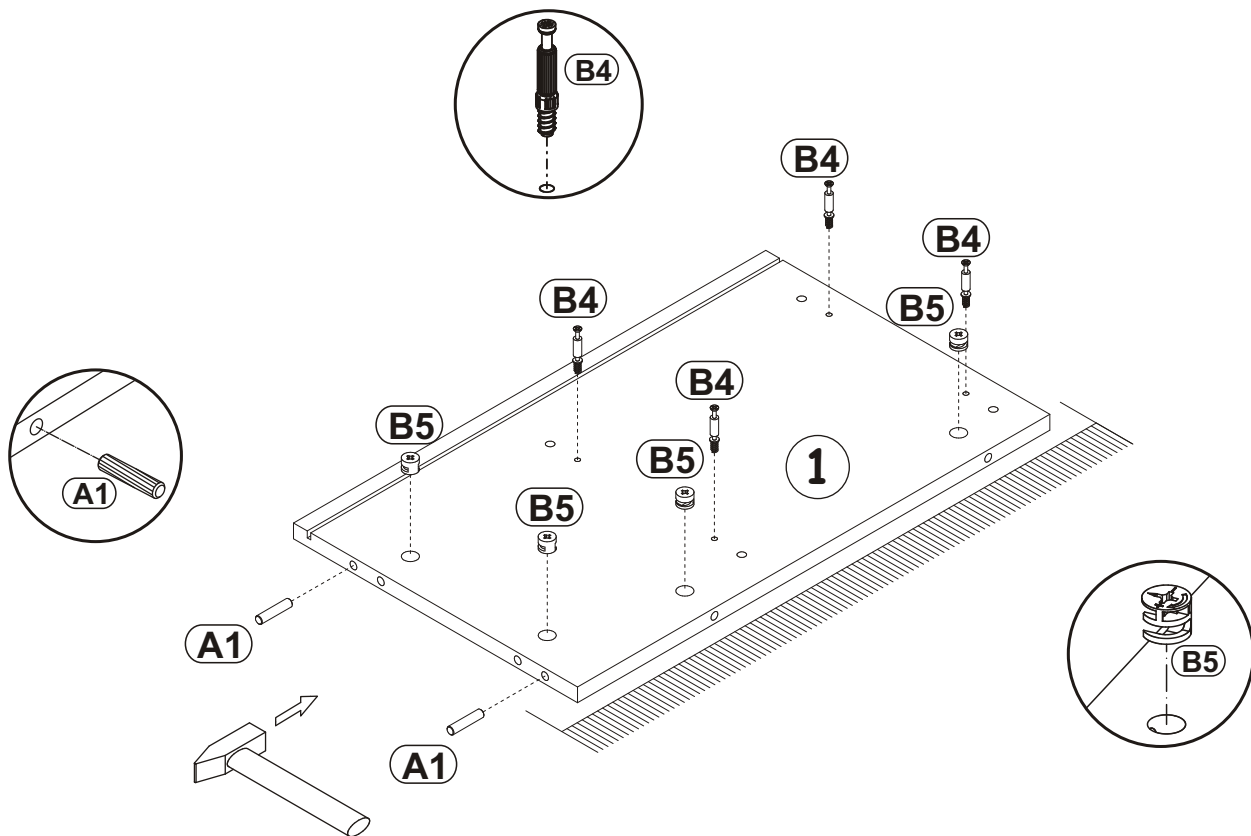


| | | | | | | | | | | | |
|------------------|---|------------------|--------------------------------|-------------------|------------------------------|--------------------|-------------------------|------------------|---------|------------------|--|
| A1 x28 | Ø5/16"x1 27/64" Ø8x36 | BO1 x2 | | I2 x4 | | E21 x4 | Ø1 3/8" Ø35 H=0 | E2 x4 | H=0 | S1 x10 | |
| PE1 x1 | | D6 x4 | USØ 9/64"x1 3/16" USØ3,5x30 | D10 x18 | USØ9/64"x33/64" USØ3,5x13 | UP13 x22 | UPØ1/8"x5/8" UPØ3x16 | LZ3 x1 | | SQ x2 | |
| ST3 x2 | 2 23/64"x 2 23/64" x63/64" 60x60x25 | G16 x6 | | G9 x1 | | | | | | | |

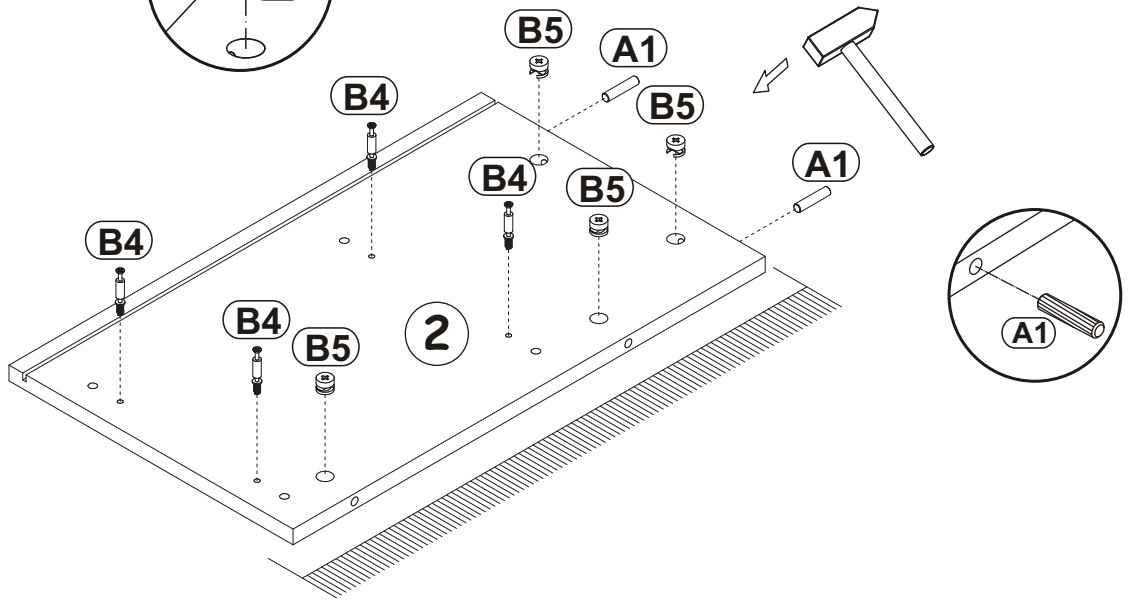
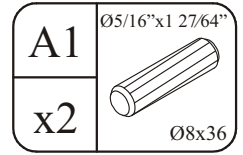
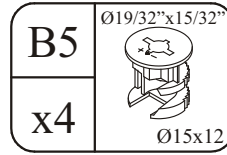
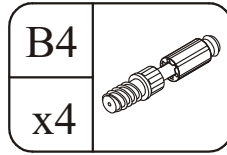
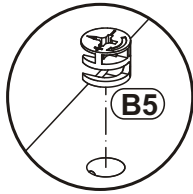
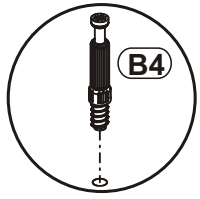


1

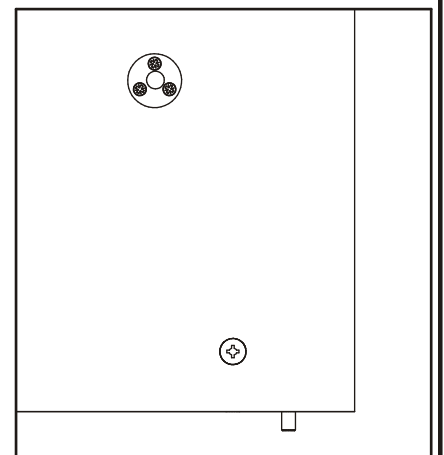
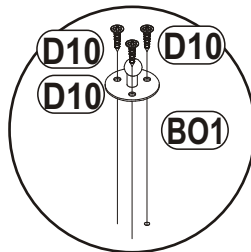
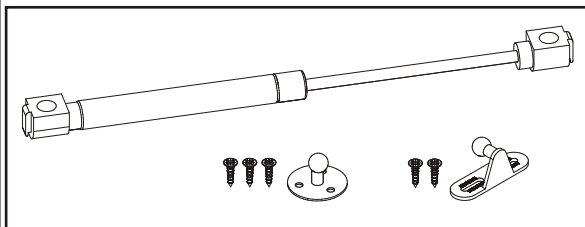
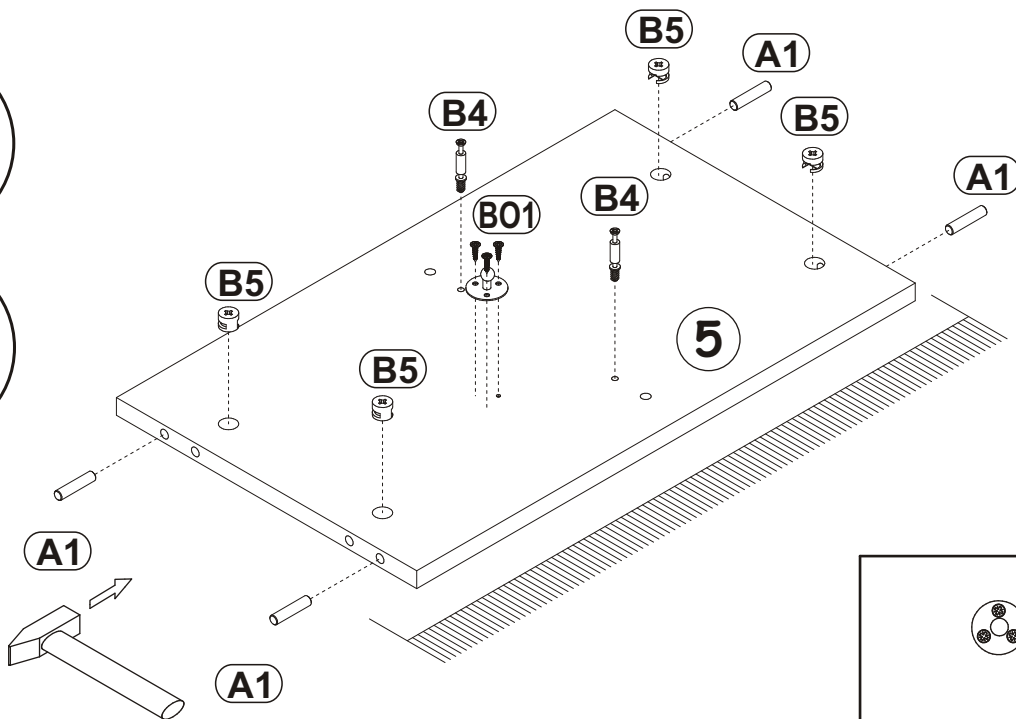
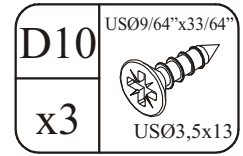
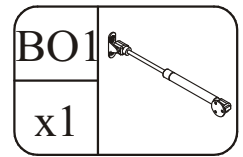
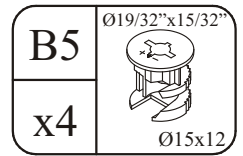
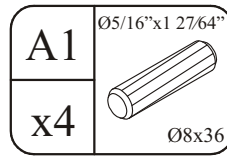
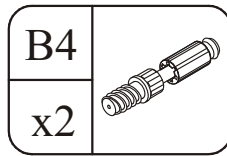
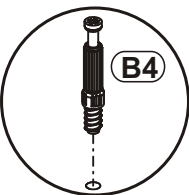
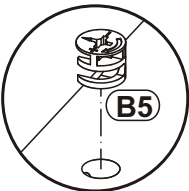
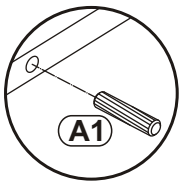
| | | | | | |
|-----------------|--------------------------|-----------------|--|-----------------|--------------------------|
| A1 x2 | Ø5/16"x1 27/64" Ø8x36 | B4 x4 | | B5 x4 | Ø19/32"x15/32" Ø15x12 |
|-----------------|--------------------------|-----------------|--|-----------------|--------------------------|

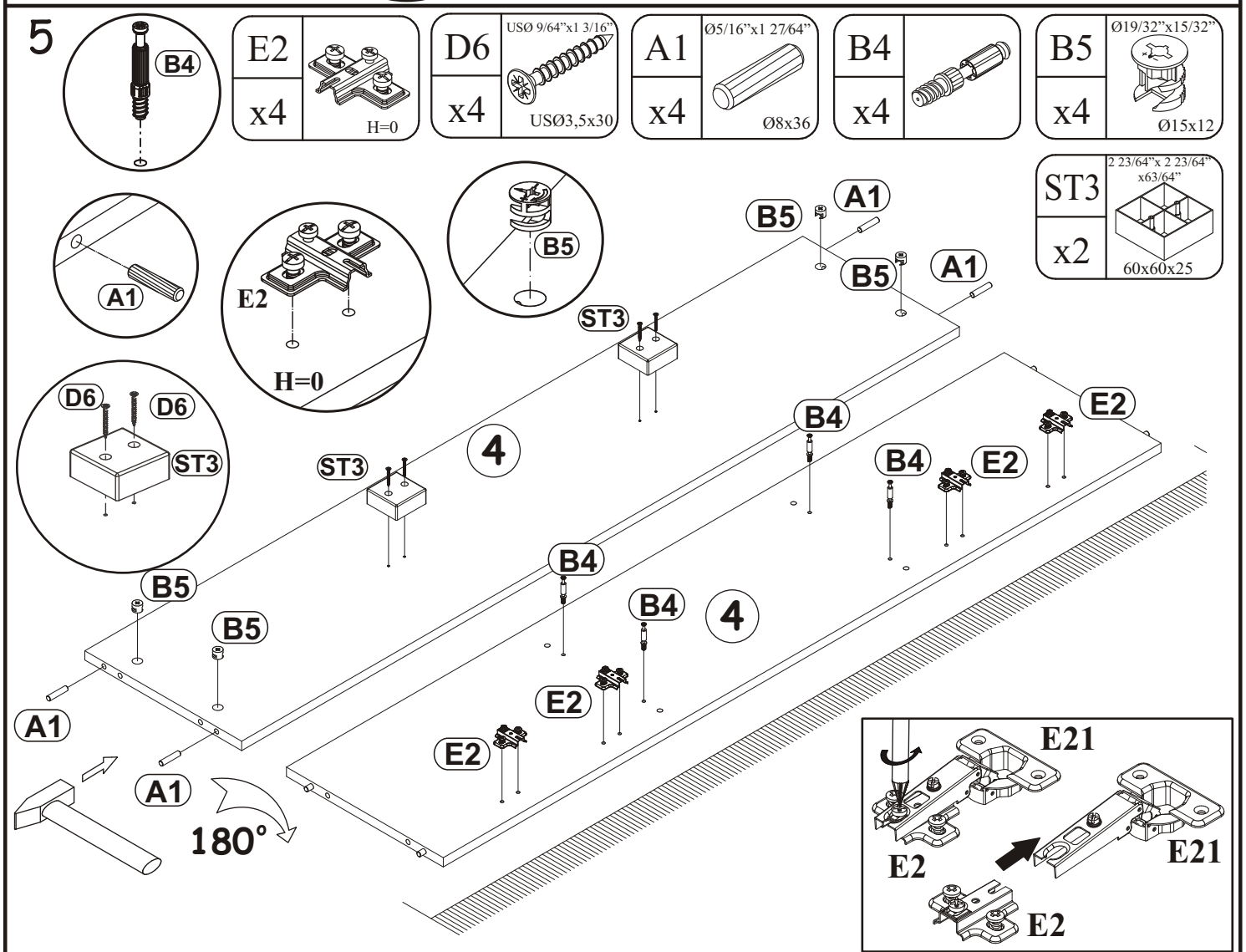
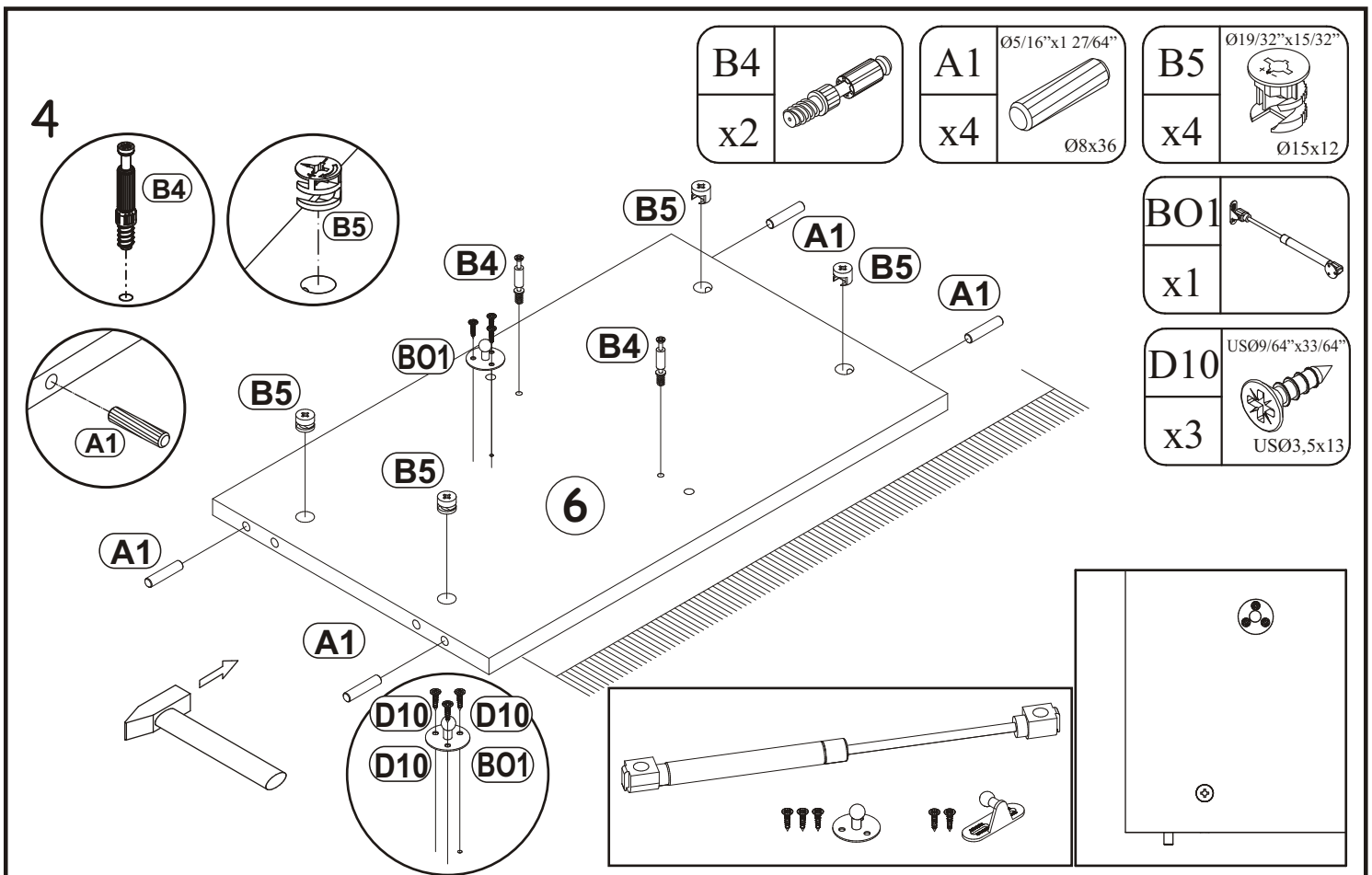


2

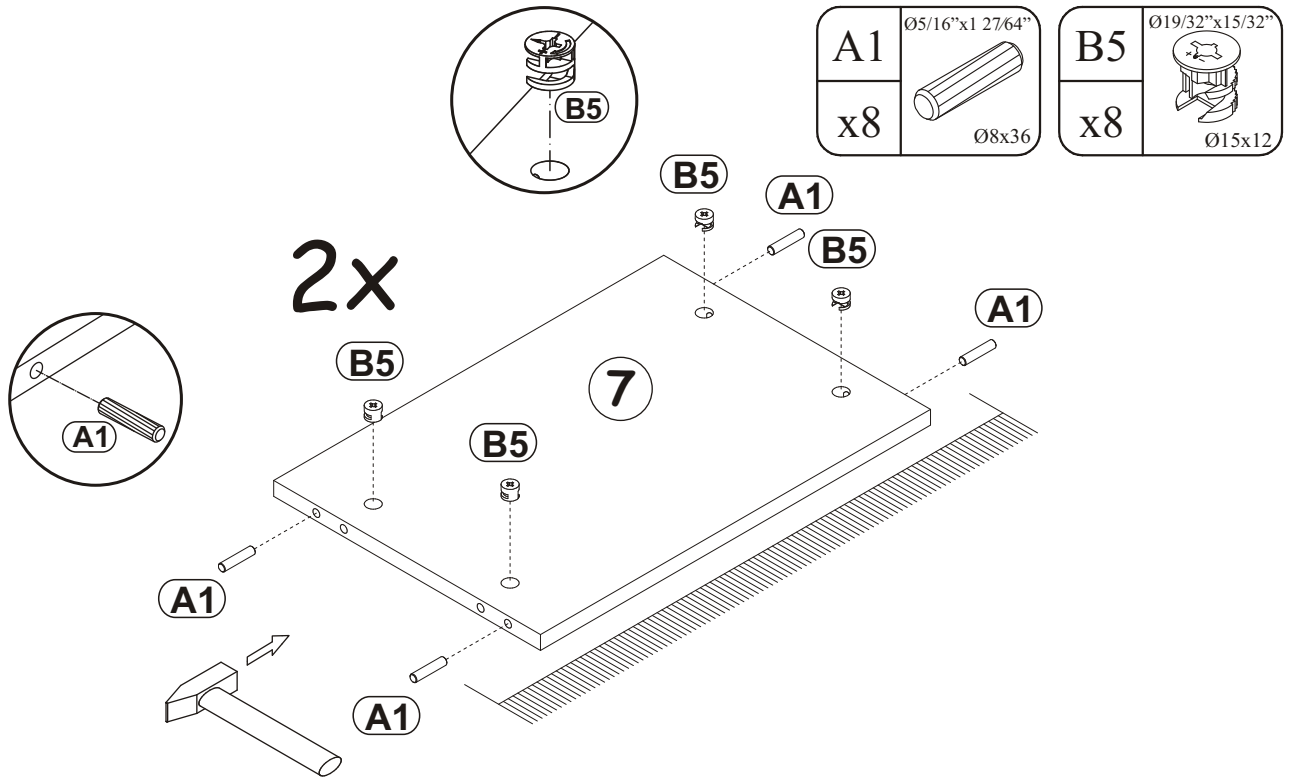


3

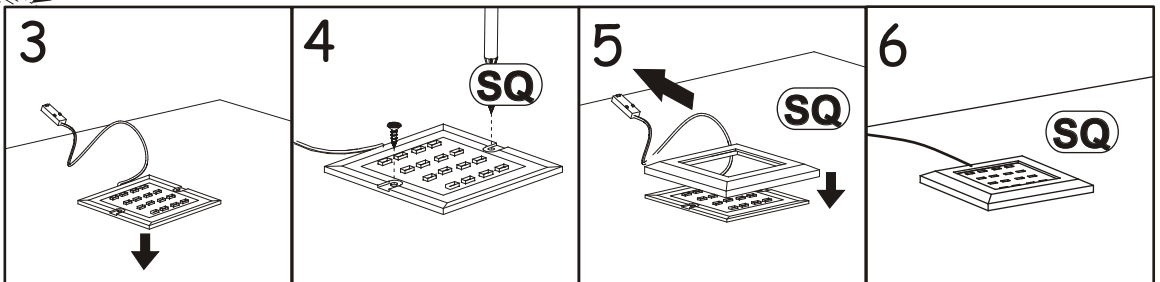
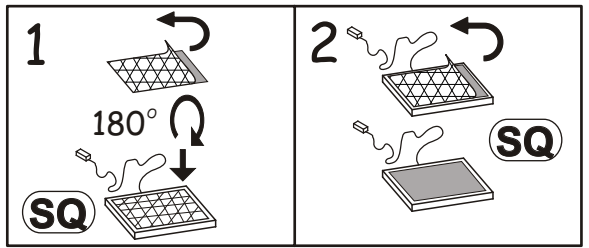
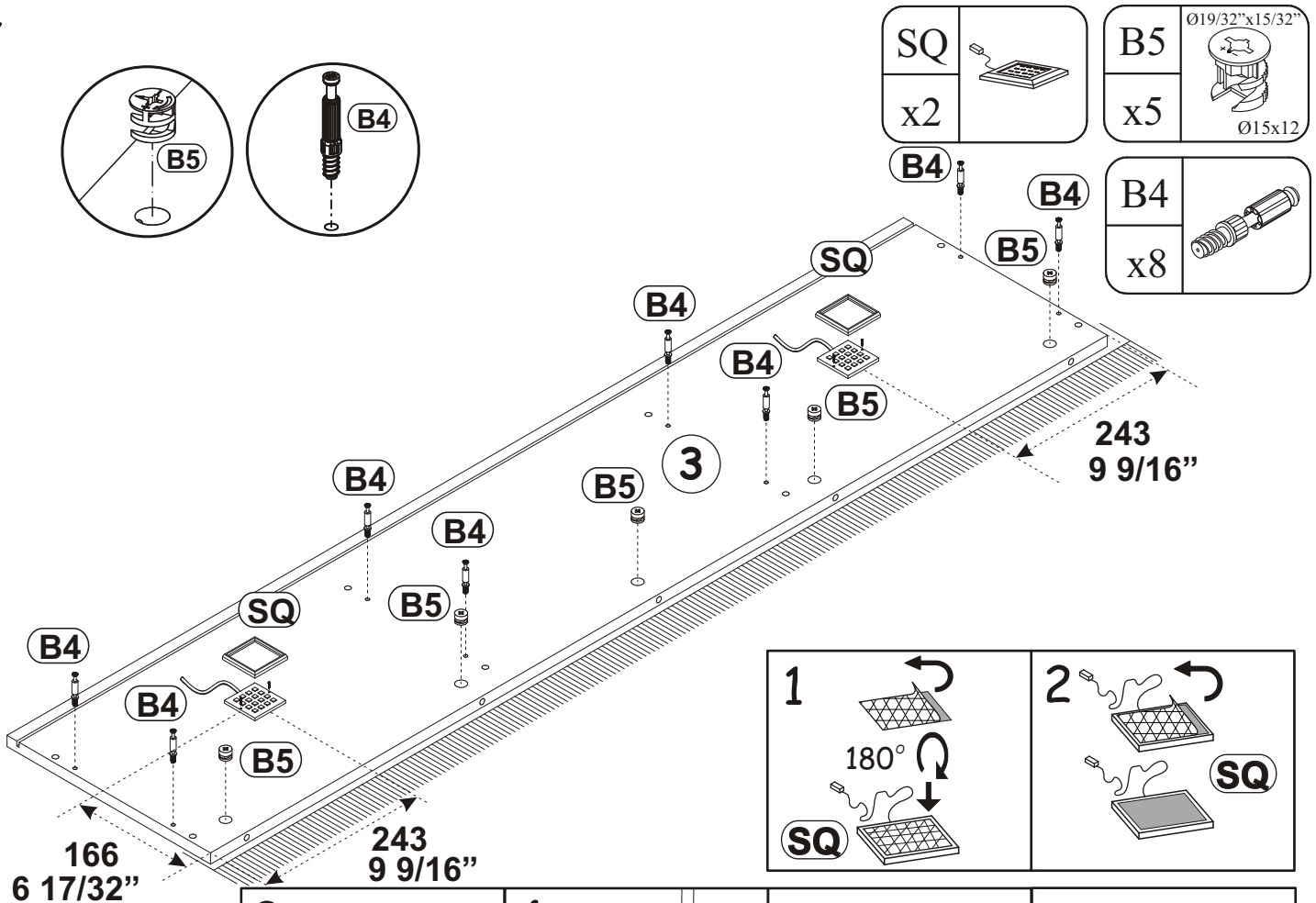




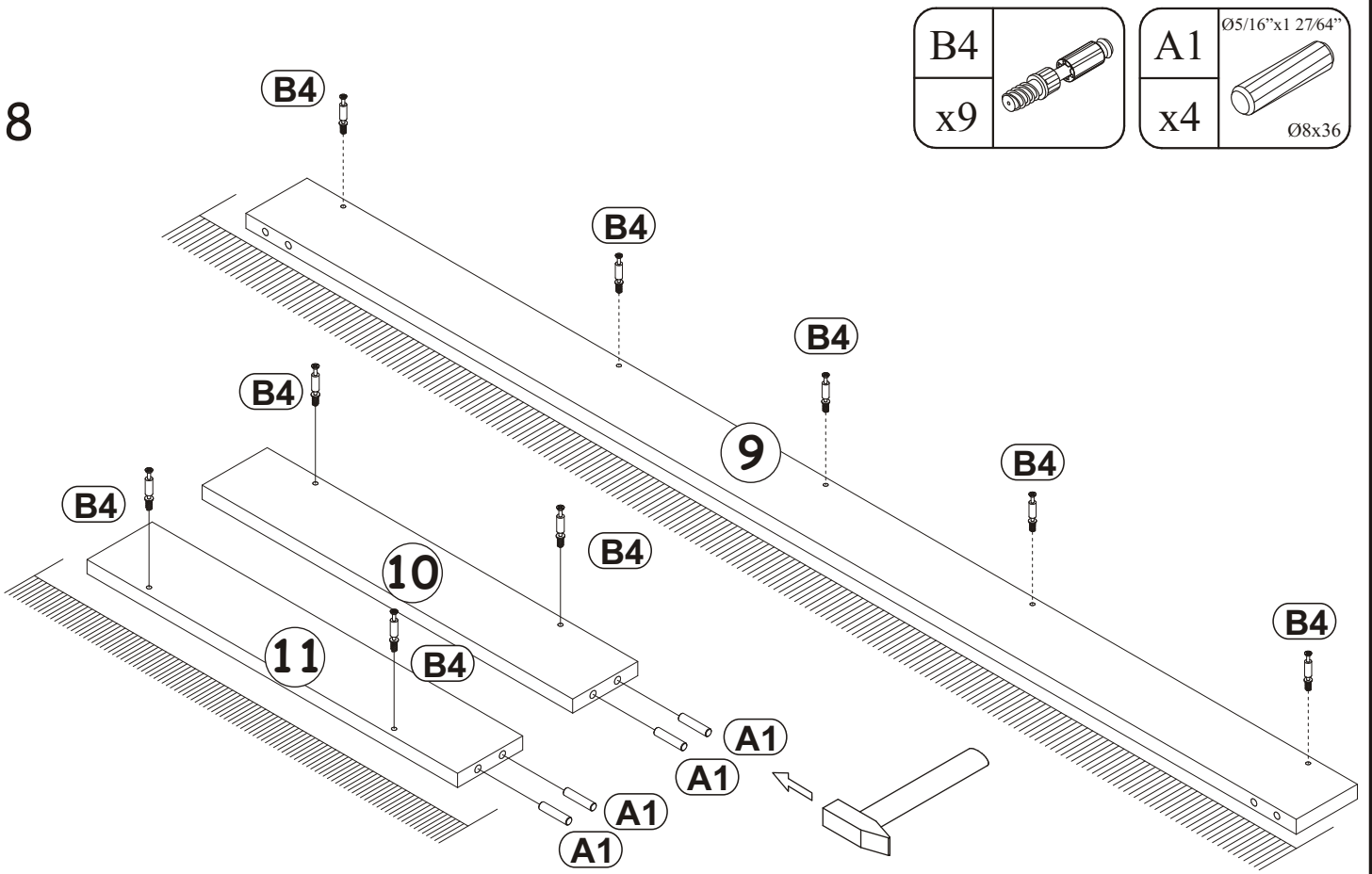
6



7



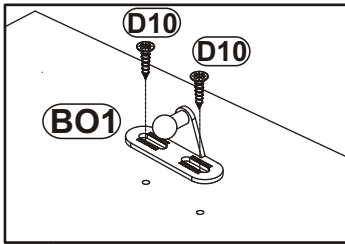
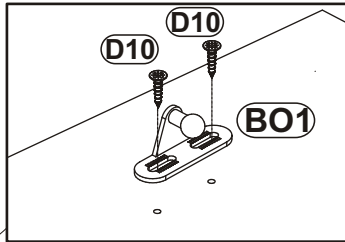
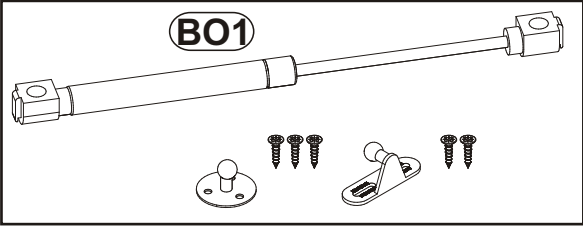
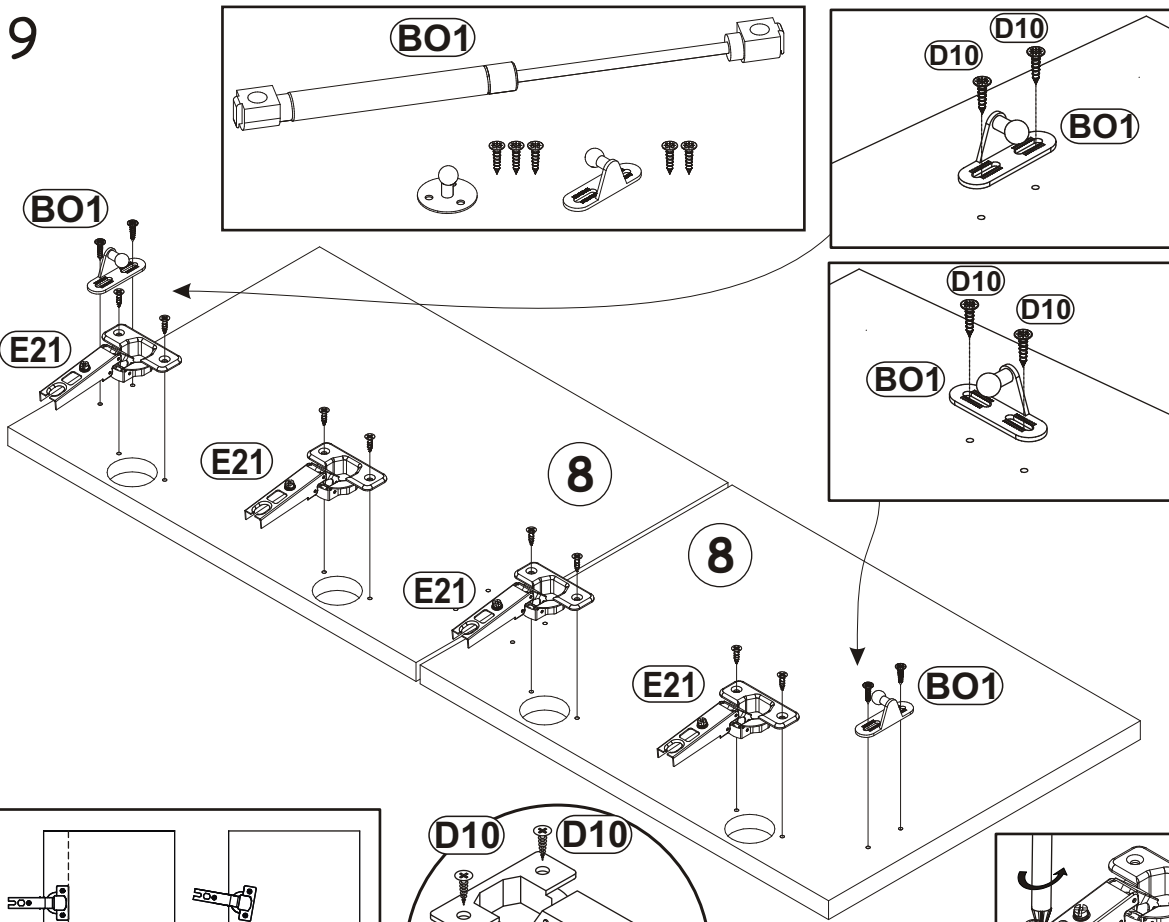
8



| | |
|----|--|
| B4 | |
| x9 | |

| | |
|----|--------------------------|
| A1 | |
| x4 | Ø5/16"x1 27/64" Ø8x36 |

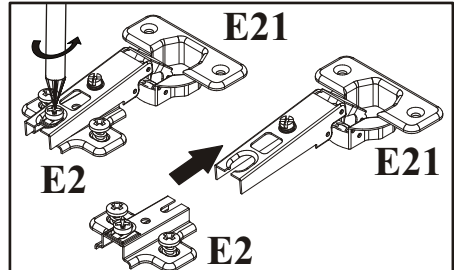
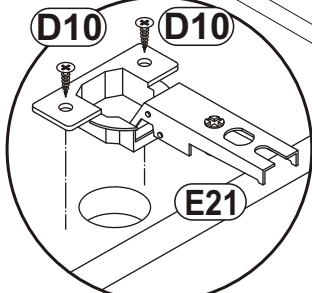
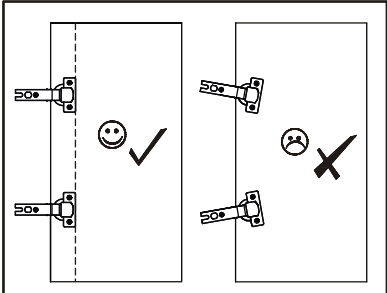
9




| | |
|-----|-----------------|
| D10 | USØ9/64"x33/64" |
| x12 | USØ3,5x13 |

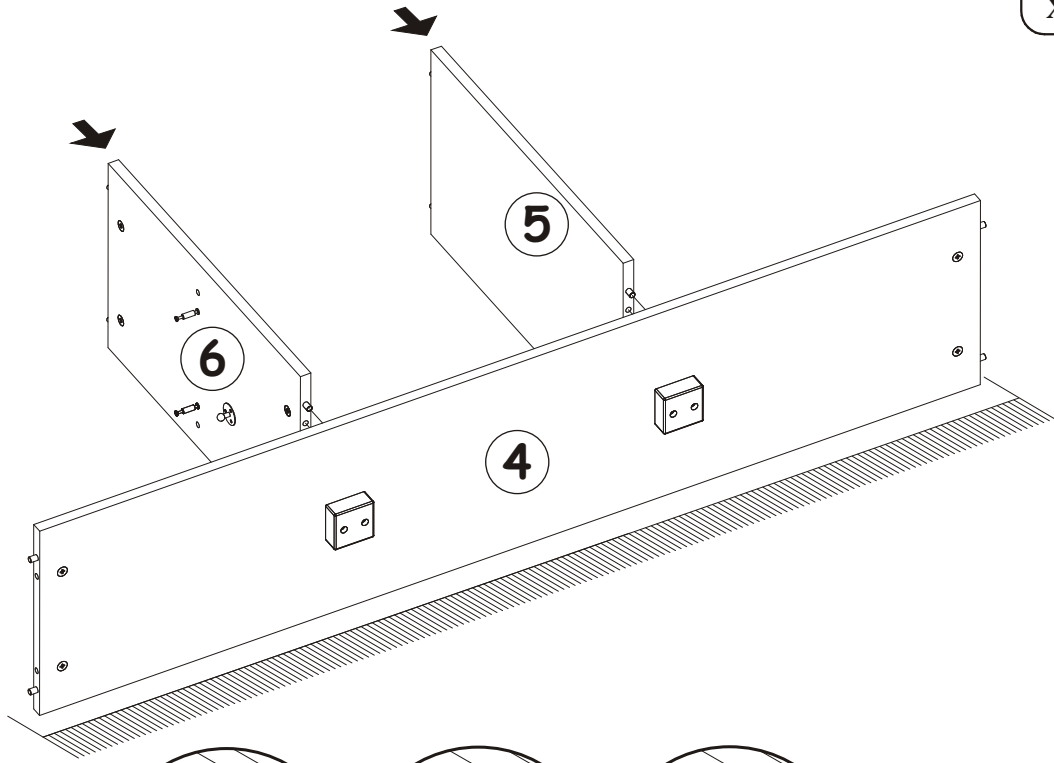
| | |
|-----|---------|
| E21 | Ø1 3/8" |
| x4 | Ø35 H=0 |

| | |
|-----|--|
| BO1 | |
| x2 | |




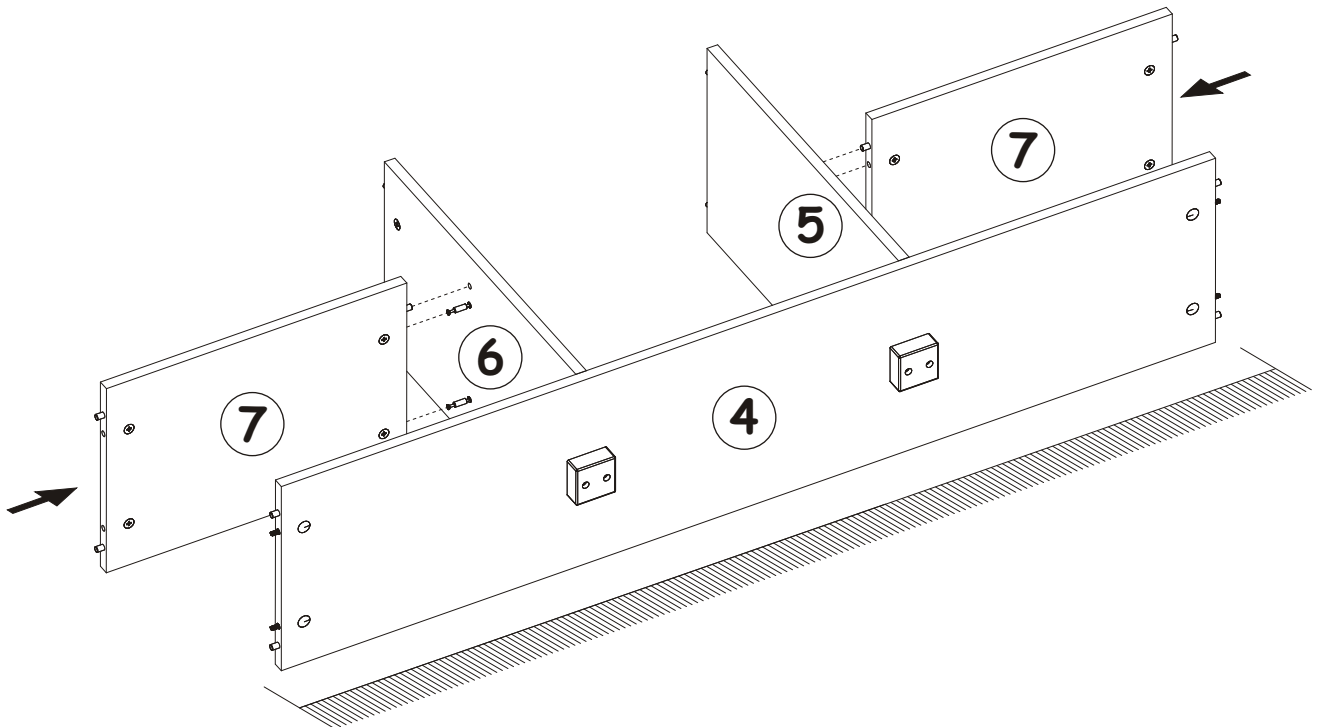
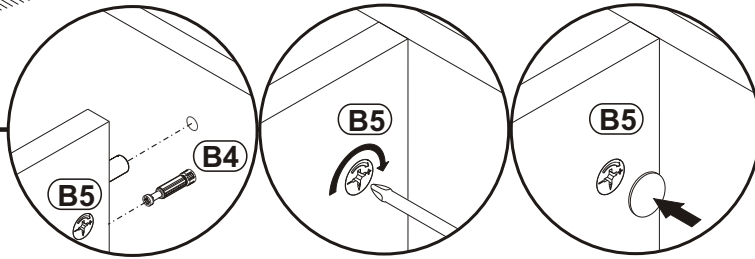
10

| | |
|----|---|
| G5 |  |
| x4 | |

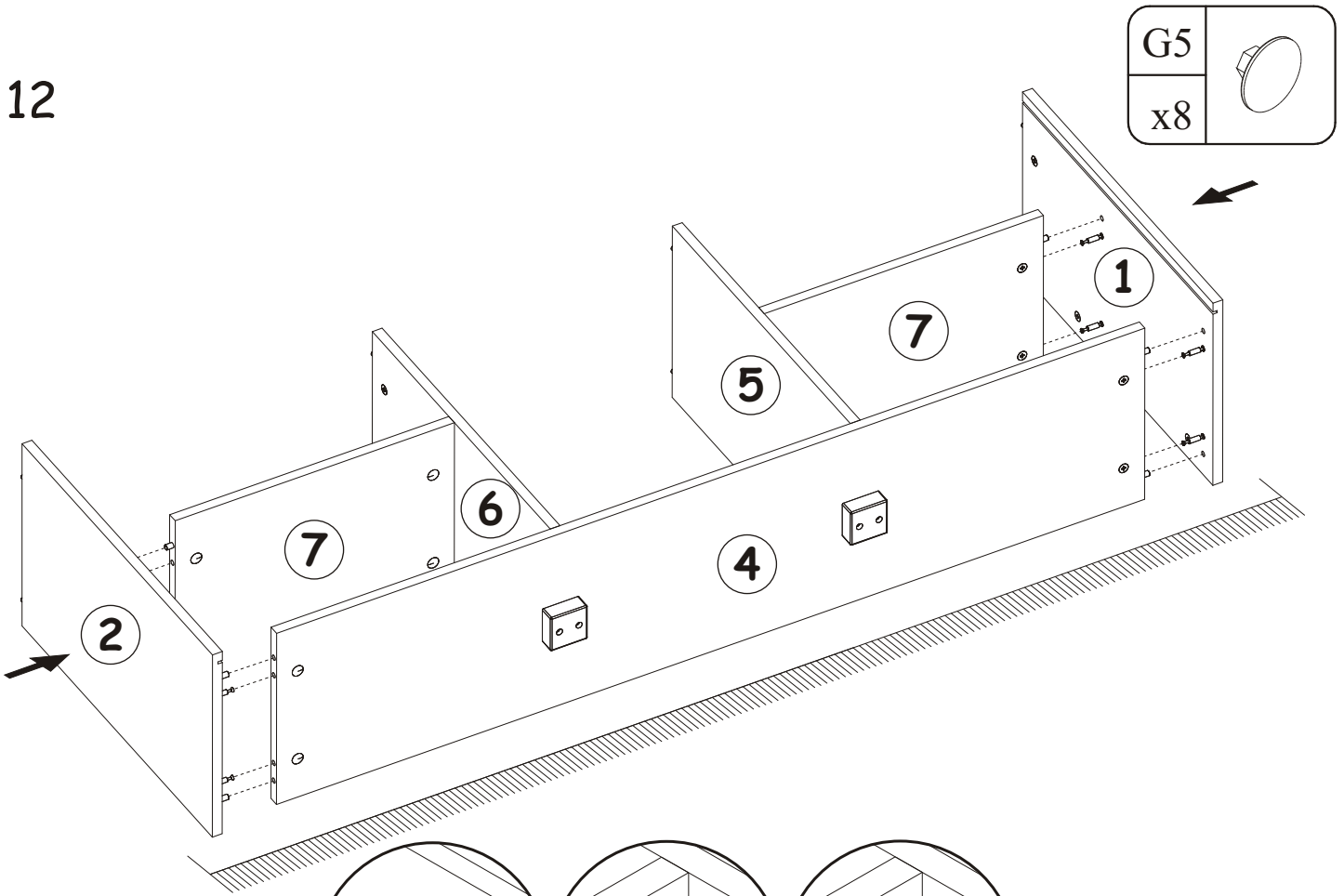


11

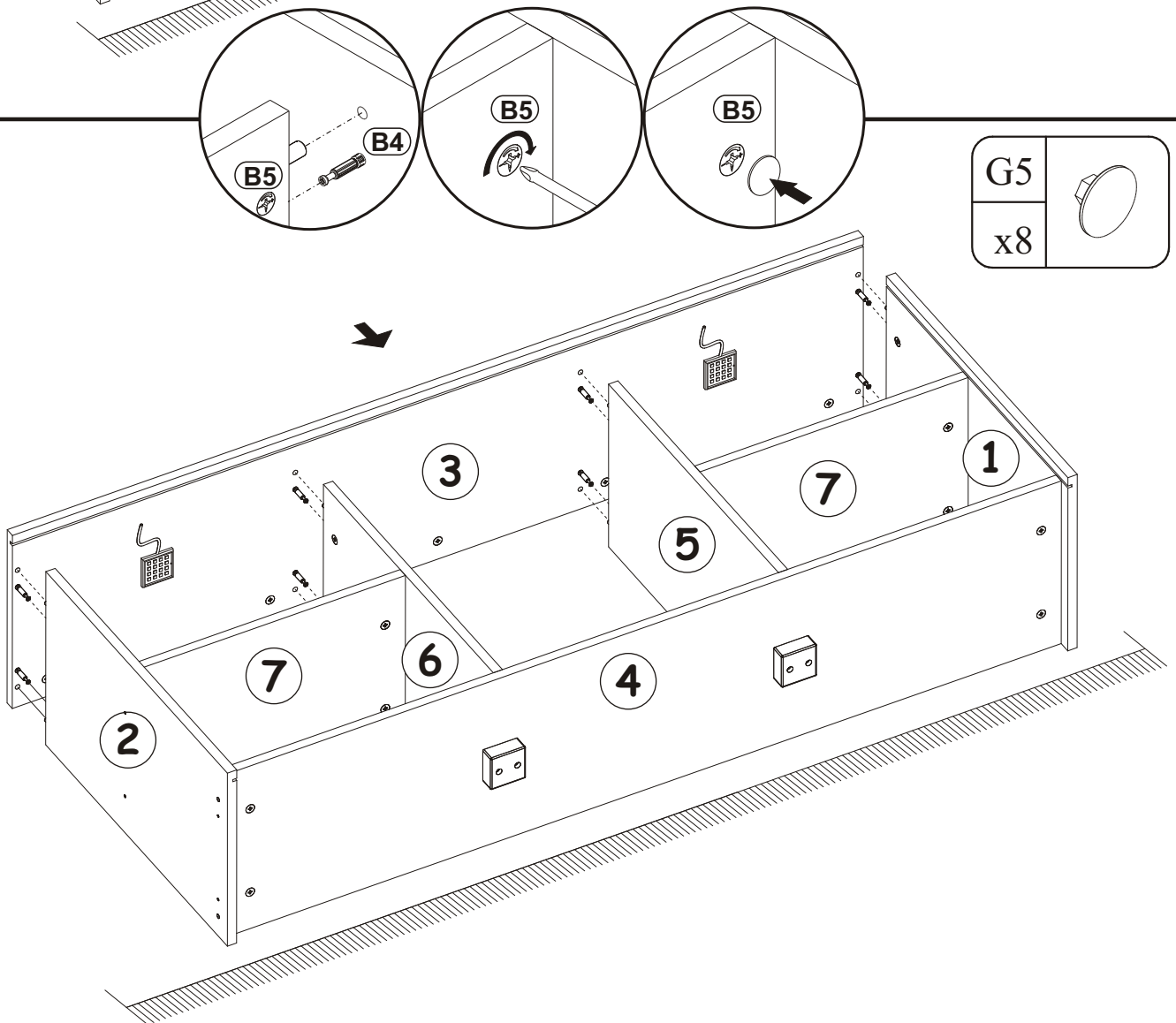
| | |
|----|---|
| G5 |  |
| x4 | |



12




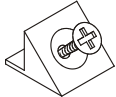
13

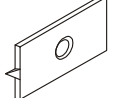


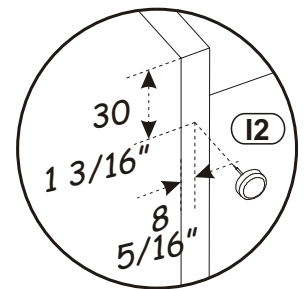
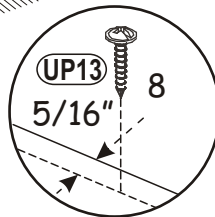
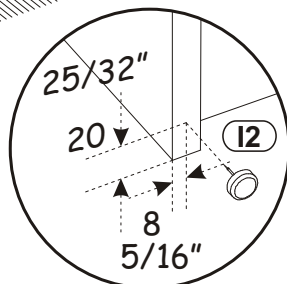
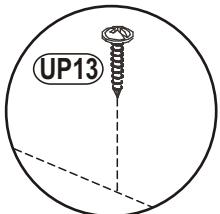
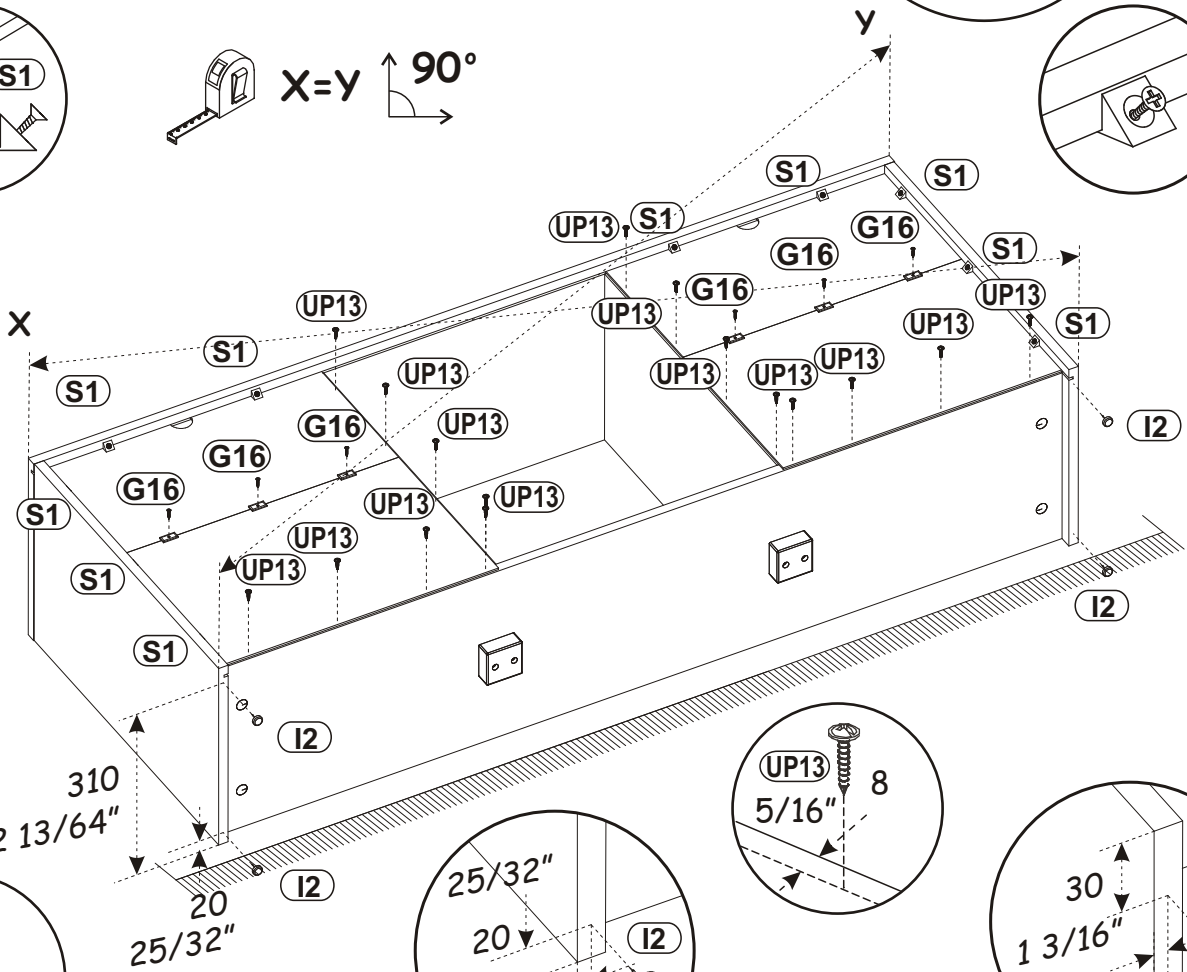
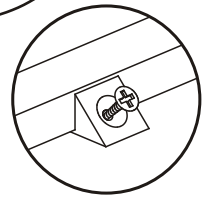
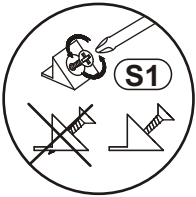
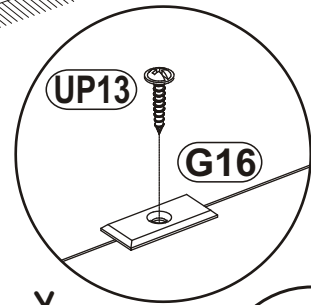
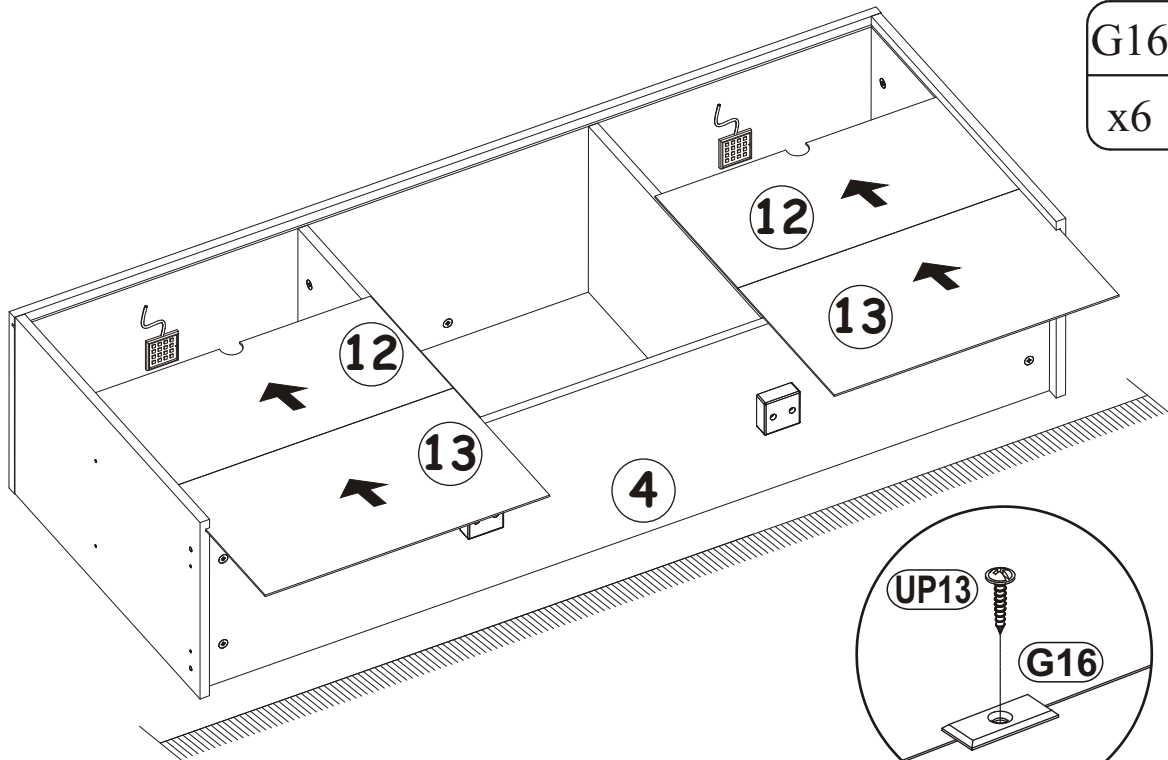
14

| | |
|------|--------------|
| UP13 | UPØ1/8"x5/8" |
| x22 | UPØ3x16 |

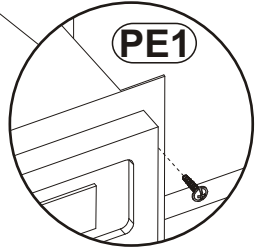
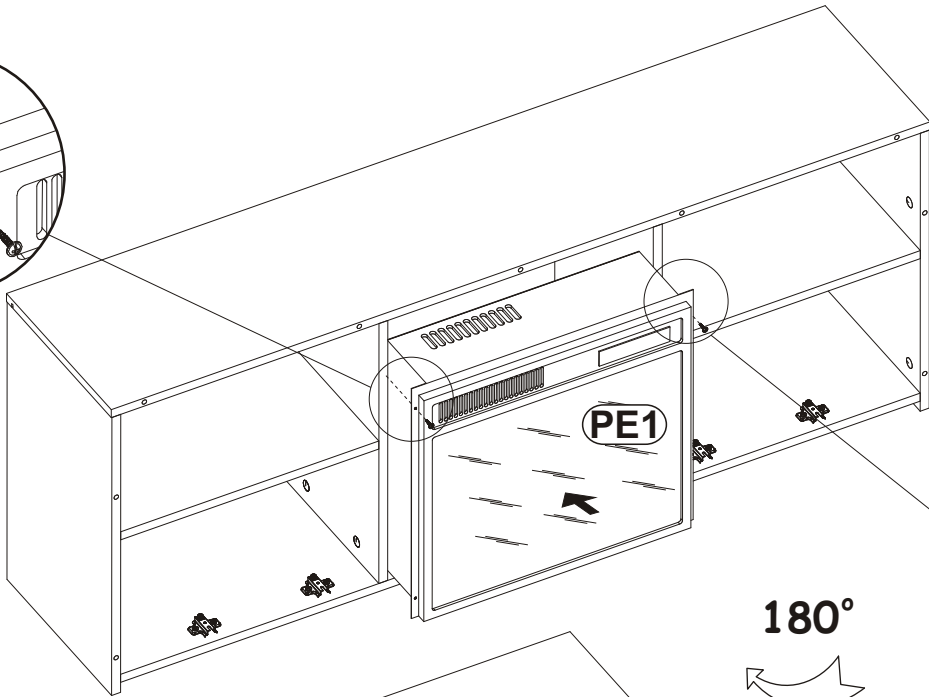
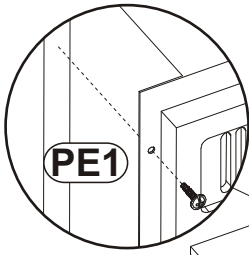
| | |
|----|---|
| I2 |  |
| x4 | |

| | |
|-----|---|
| S1 |  |
| x10 | |

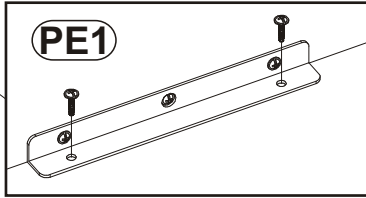
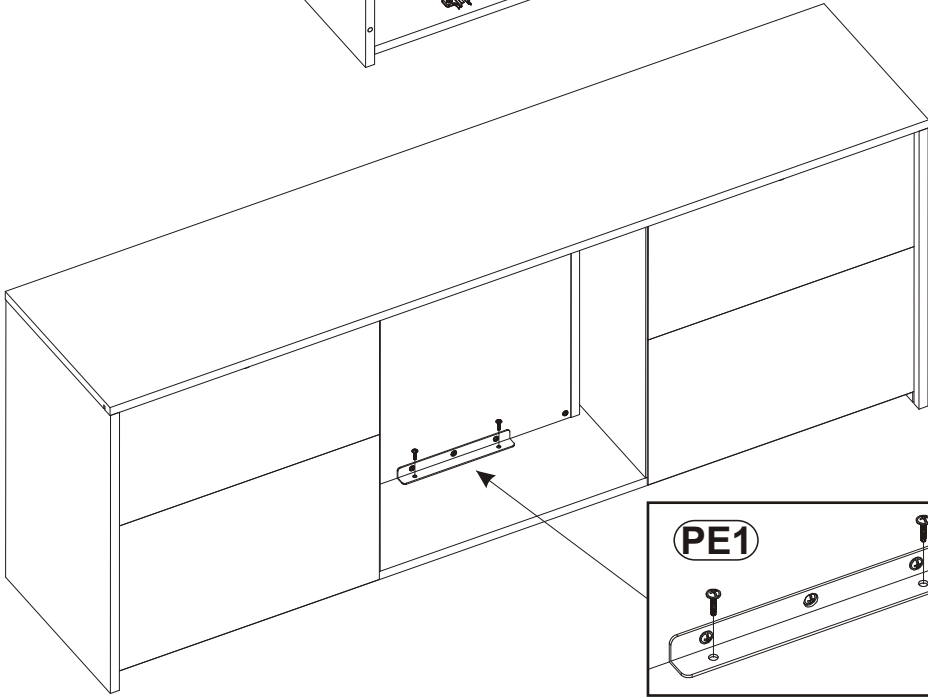
| | |
|-----|---|
| G16 |  |
| x6 | |



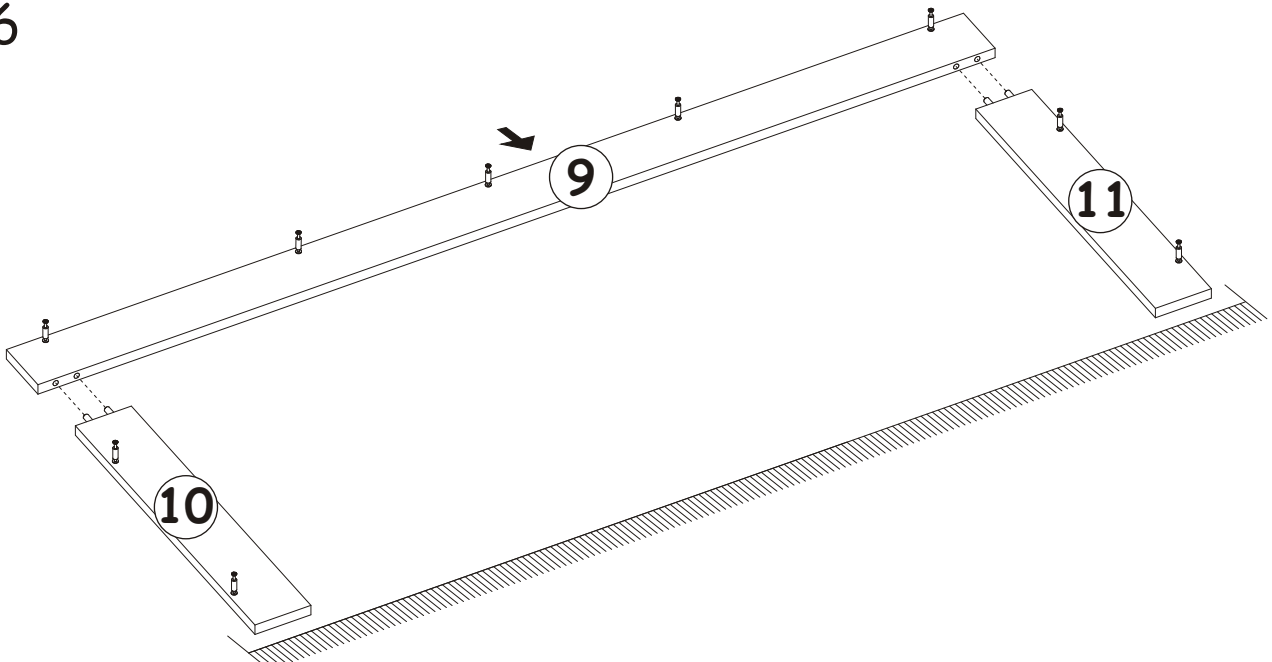
15




180°

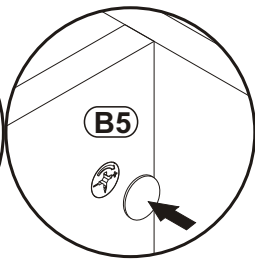
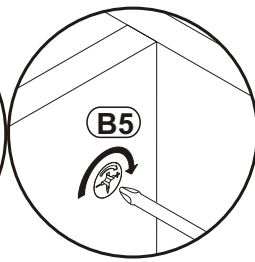
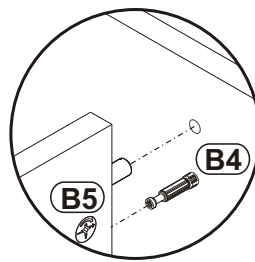
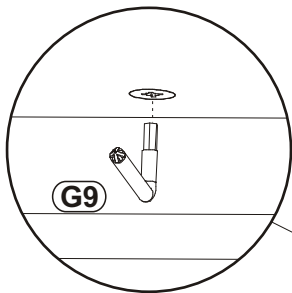
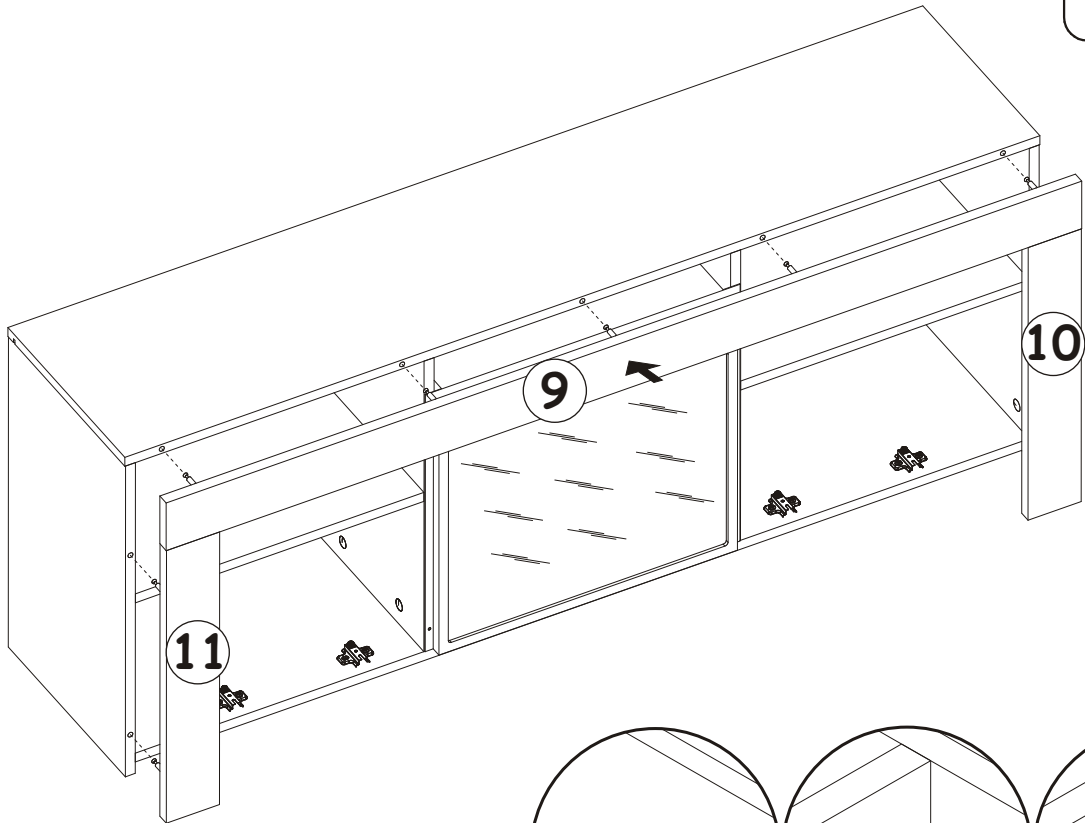


16

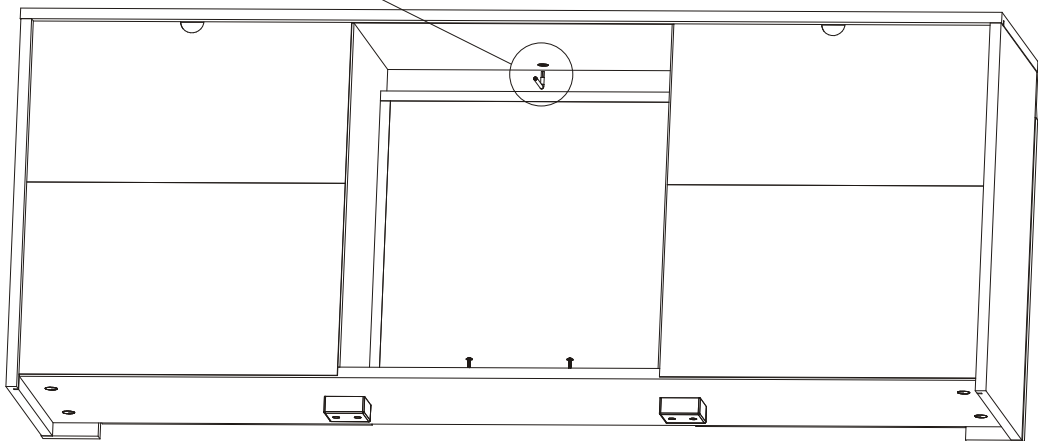


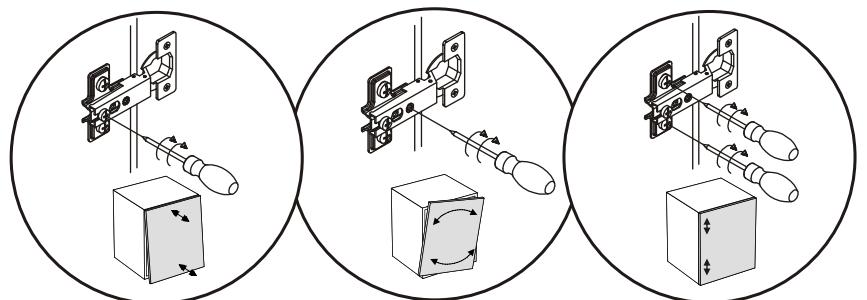
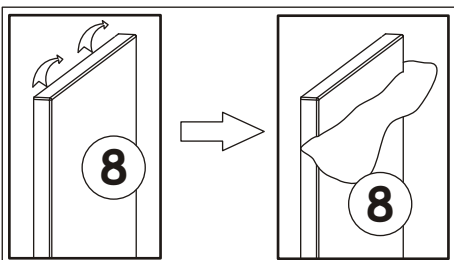
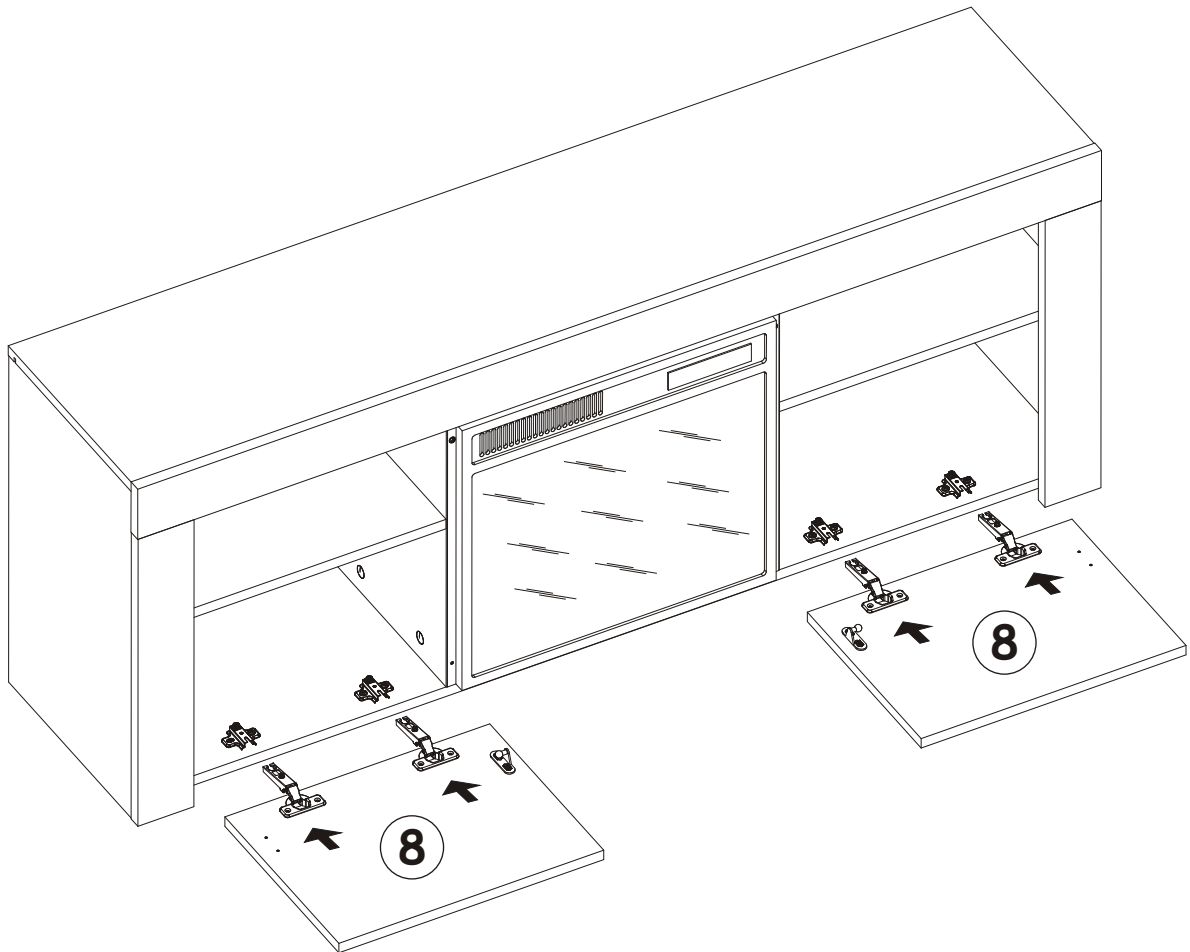
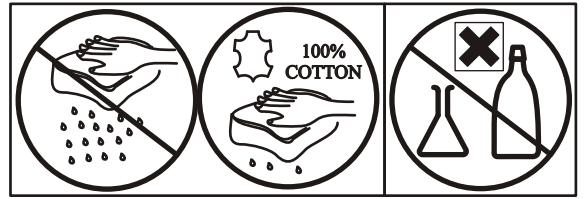
17

| | |
|----|---|
| G5 |  |
| x9 | |

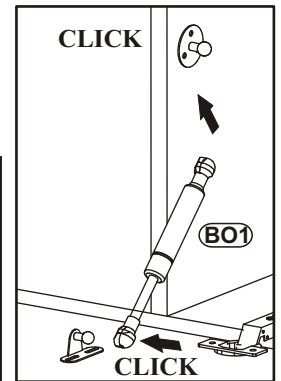
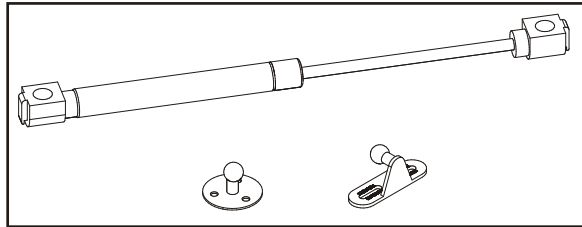
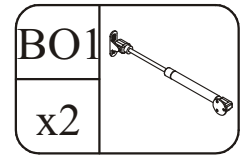
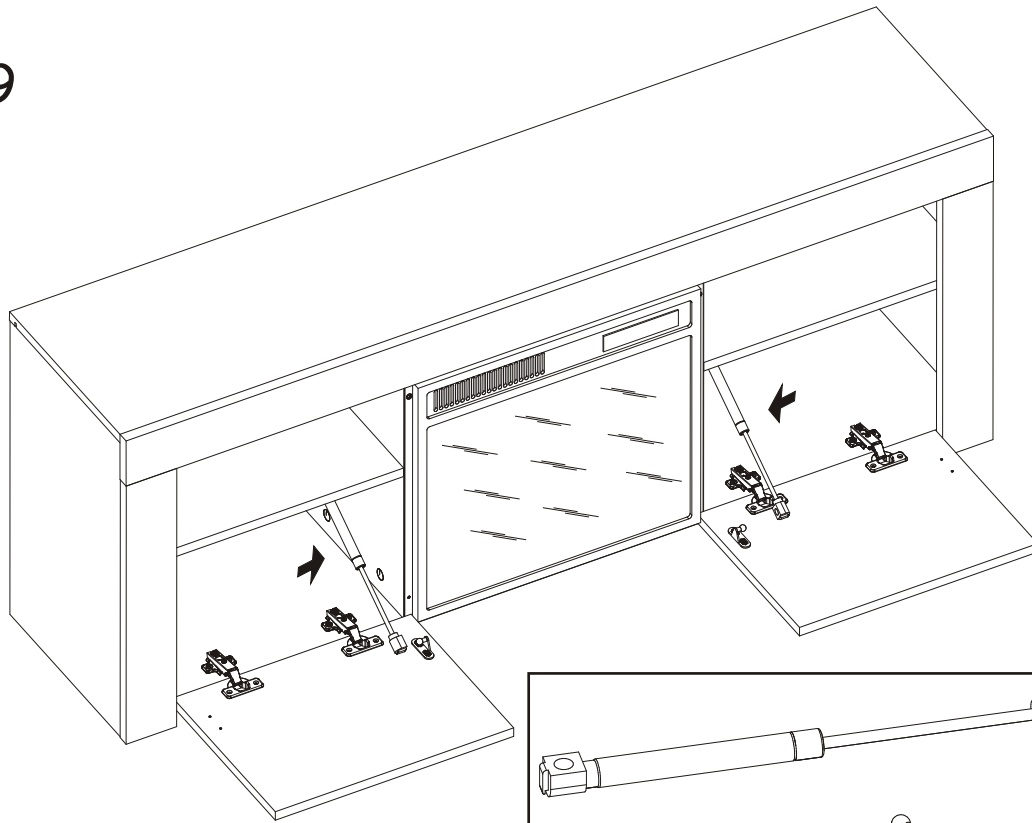


180°

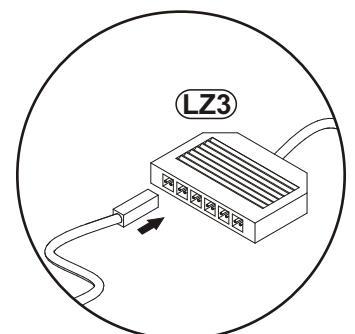
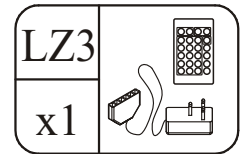
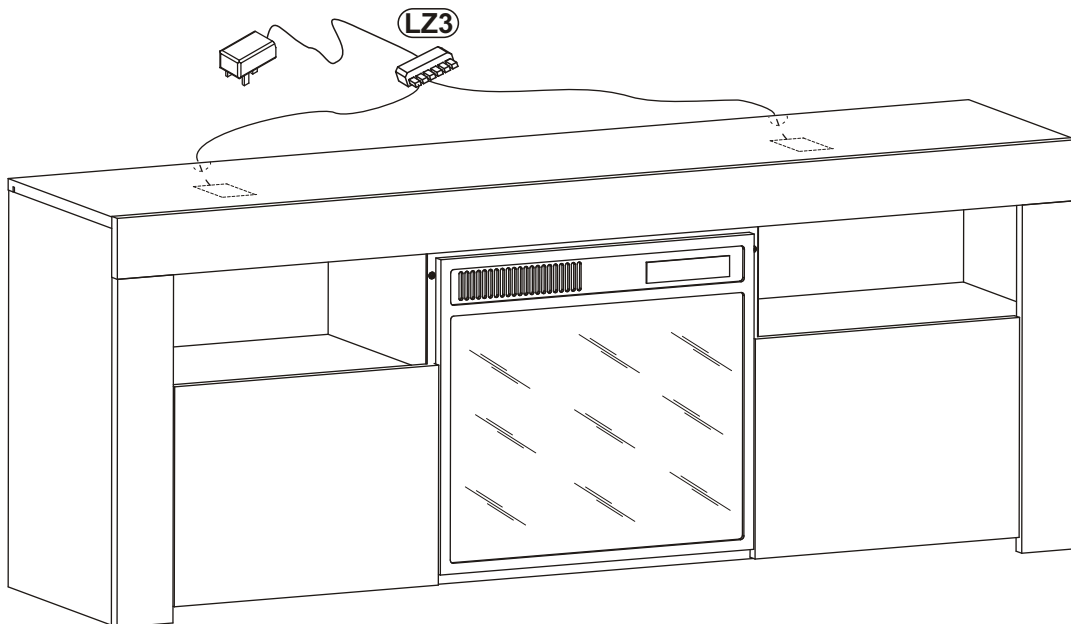




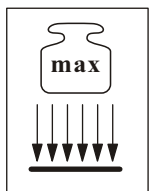
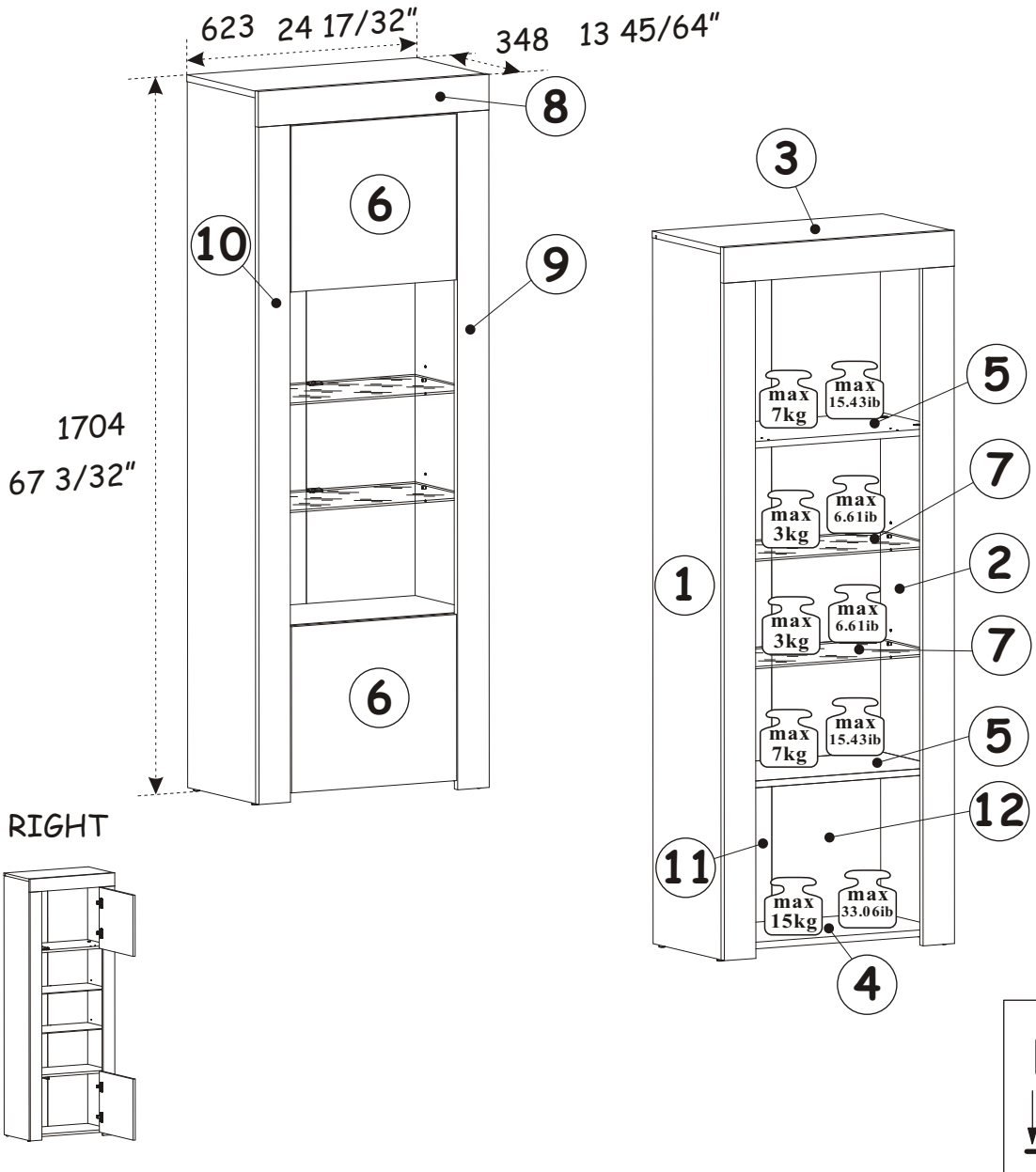
19



20

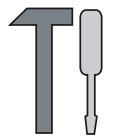
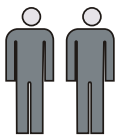


BOOKCASE

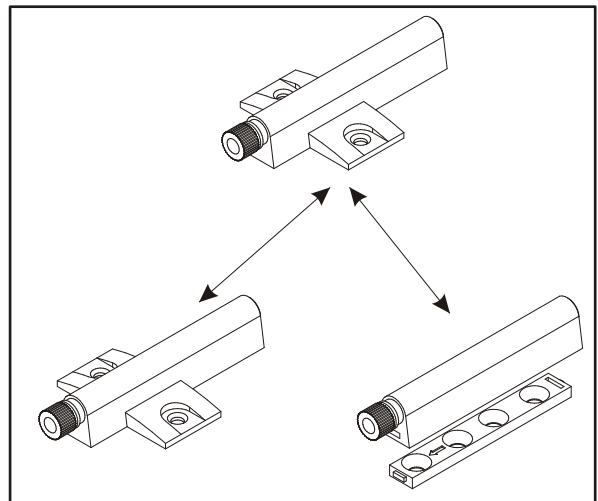
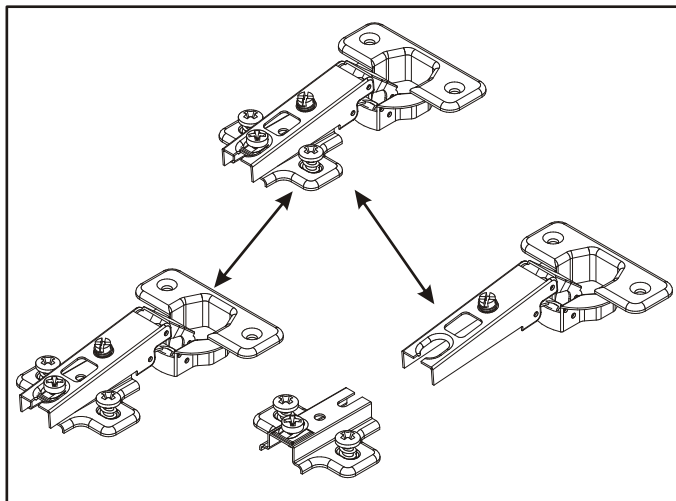
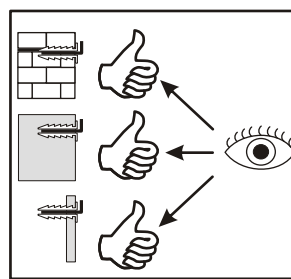
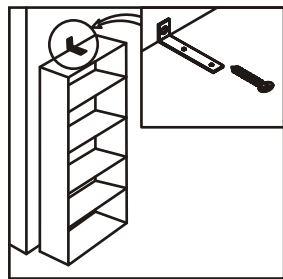
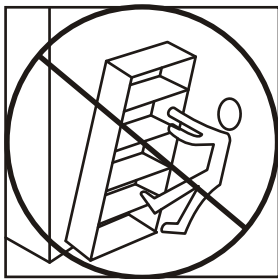
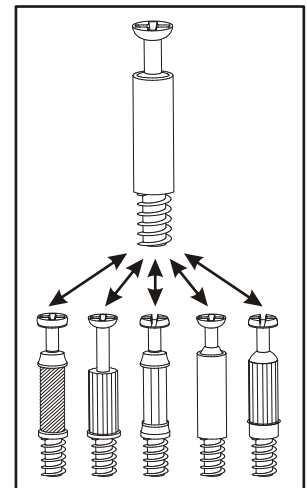
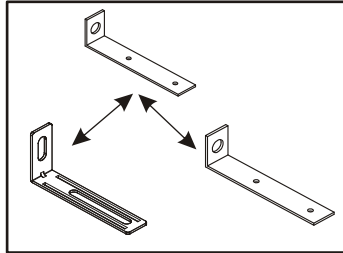
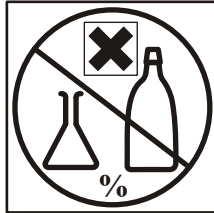
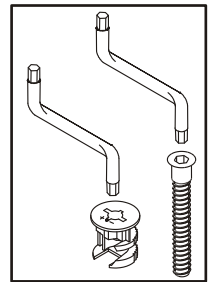
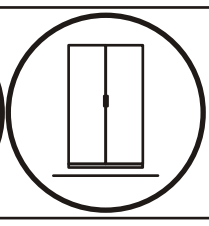
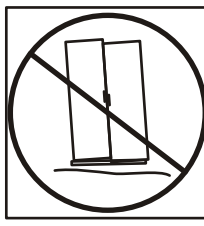
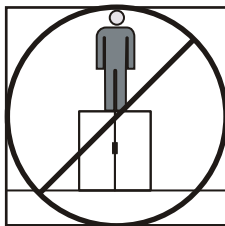
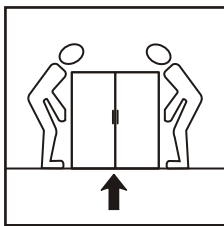
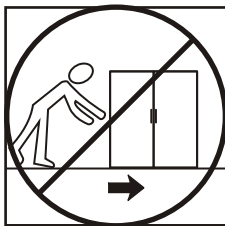
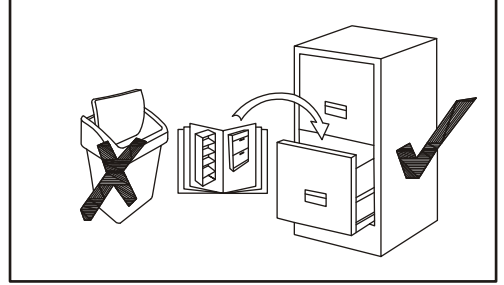
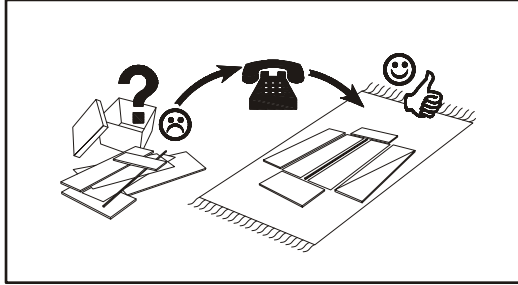
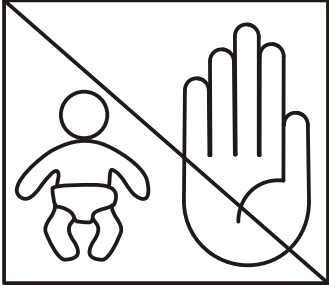
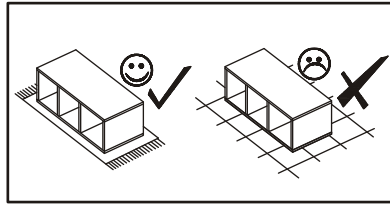
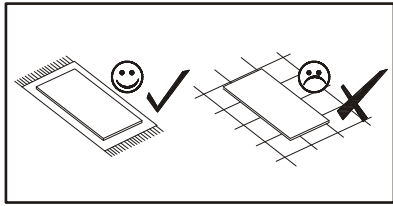


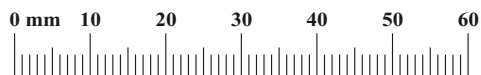
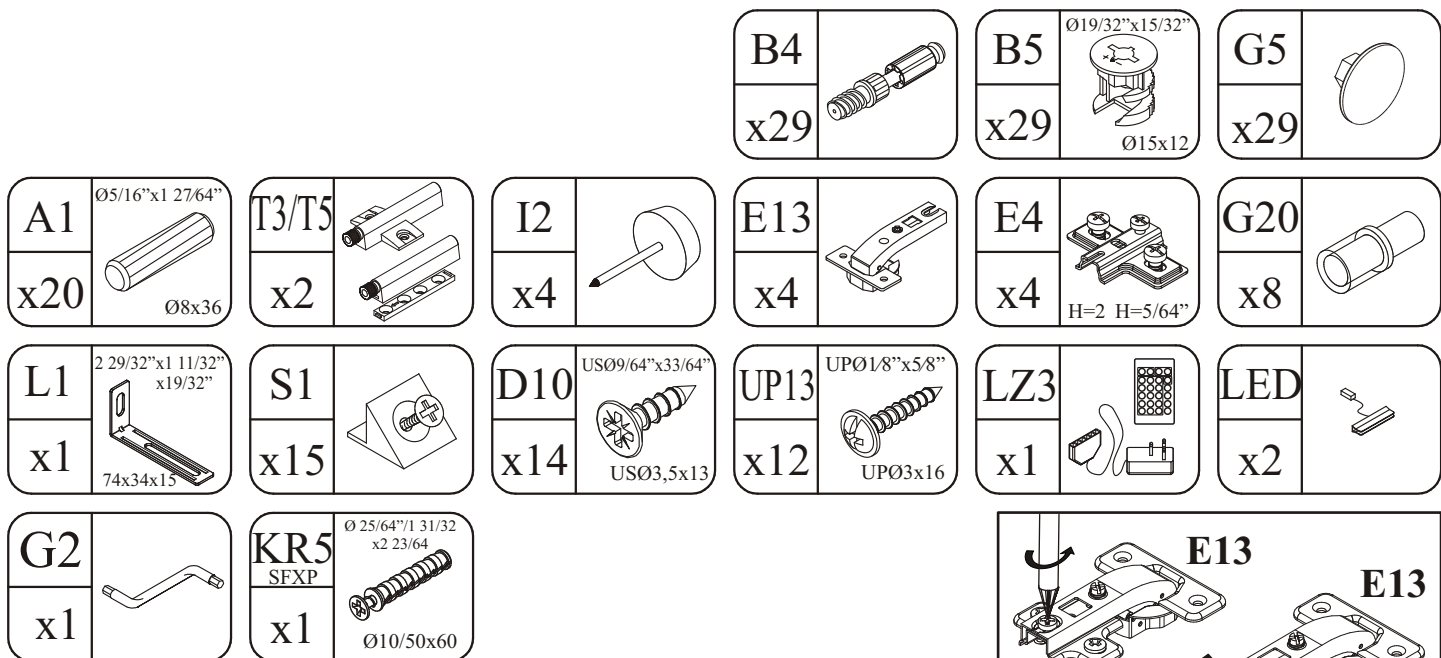
| NO | Dim | | | Col.-No | Qty |
|----|------|-----|----|---------|-----|
| 1 | 1682 | 332 | 16 | 2 | 1 |
| 2 | 1682 | 332 | 16 | 2 | 1 |
| 3 | 622 | 332 | 16 | 1 | 1 |
| 4 | 588 | 312 | 16 | 1 | 1 |
| 5 | 588 | 312 | 16 | 1 | 2 |
| 6 | 446 | 396 | 16 | 1 | 2 |
| 7 | 587 | 302 | 5 | 1 | 2 |
| 8 | 623 | 85 | 18 | 2 | 1 |
| 9 | 1614 | 85 | 18 | 2 | 1 |
| 10 | 1614 | 85 | 18 | 2 | 1 |
| 11 | 1665 | 300 | 3 | 2 | 1 |
| 12 | 1665 | 300 | 3 | 2 | 1 |

| NO | Inch | | | Col.-No | Qty |
|----|----------|----------|-------|---------|-----|
| 1 | 66 7/32 | 13 5/64 | 5/8 | 2 | 1 |
| 2 | 66 7/32 | 13 5/64 | 5/8 | 2 | 1 |
| 3 | 24 31/64 | 13 5/64 | 5/8 | 1 | 1 |
| 4 | 23 5/32 | 12 9/32 | 5/8 | 1 | 1 |
| 5 | 23 5/32 | 12 9/32 | 5/8 | 1 | 2 |
| 6 | 17 9/16 | 15 19/32 | 5/8 | 1 | 2 |
| 7 | 23 7/64 | 11 57/64 | 13/64 | 1 | 2 |
| 8 | 24 17/32 | 3 11/32 | 45/64 | 2 | 1 |
| 9 | 63 35/64 | 3 11/32 | 45/64 | 2 | 1 |
| 10 | 63 35/64 | 3 11/32 | 45/64 | 2 | 1 |
| 11 | 65 35/64 | 11 13/16 | 1/8 | 2 | 1 |
| 12 | 65 35/64 | 11 13/16 | 1/8 | 2 | 1 |

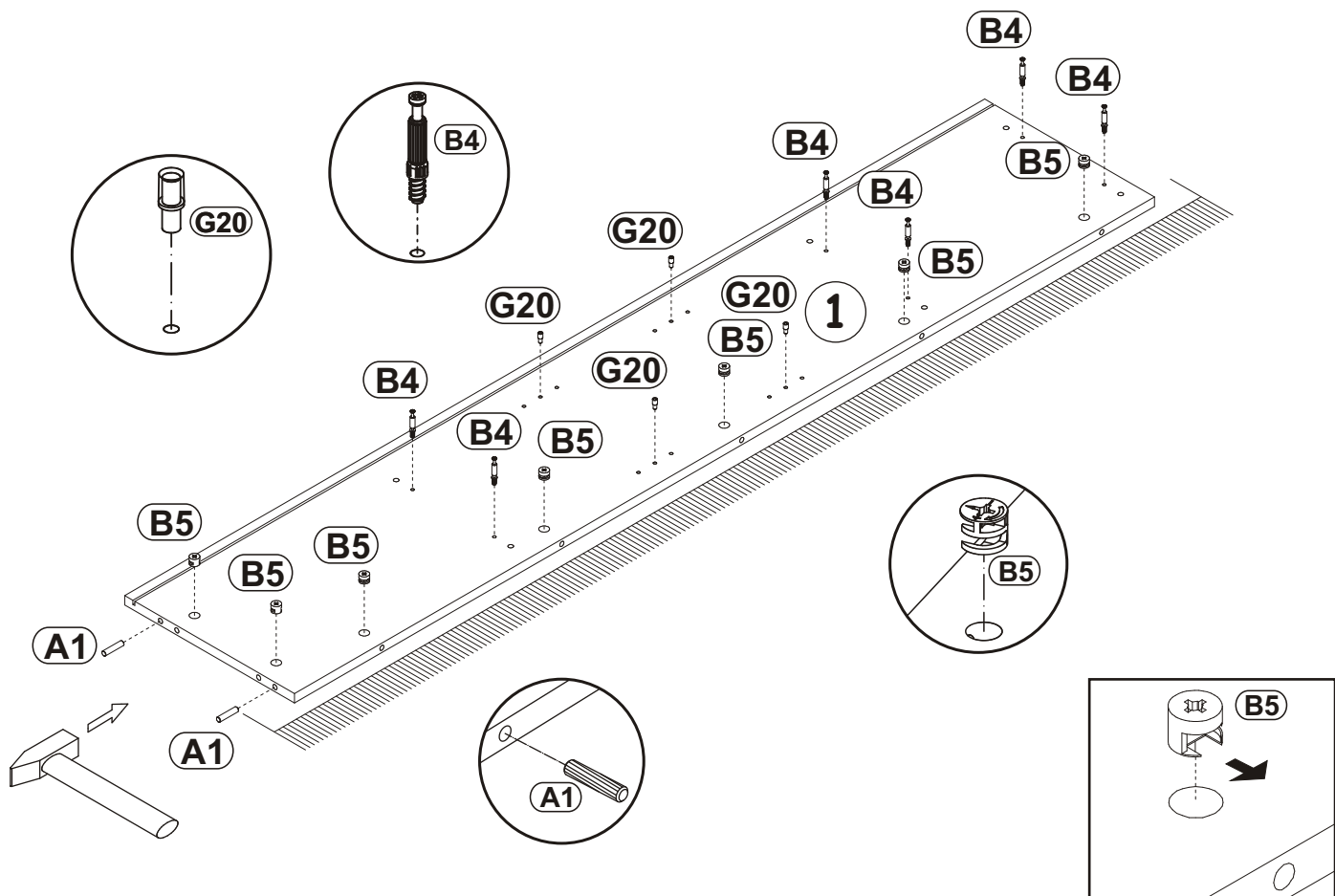
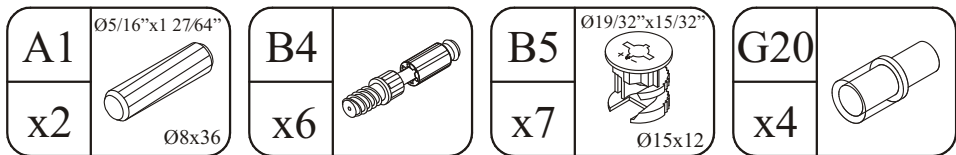


60 min

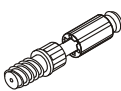





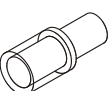
1

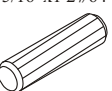


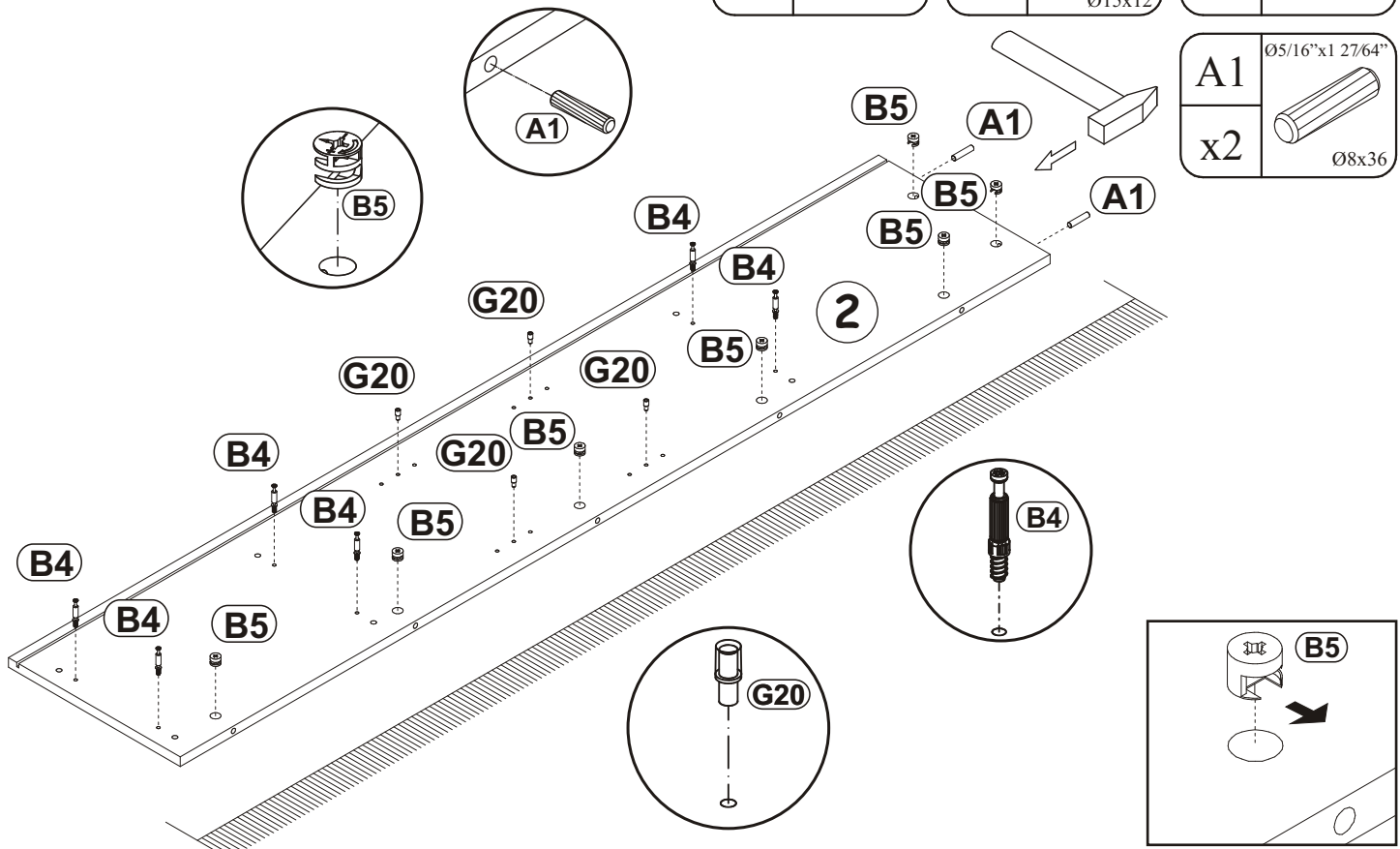
2

| | |
|----|--|
| B4 |  |
| x6 | |

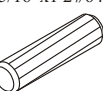
| | |
|----|---|
| B5 |  |
| x7 | $\text{Ø}19/32 \times 15/32$ $\text{Ø}15 \times 12$ |


| | |
|-----|---|
| G20 |  |
| x4 | |

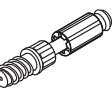
| | |
|----|---|
| A1 |  |
| x2 | $\text{Ø}5/16 \times 1 \text{ 27/64}$ $\text{Ø}8 \times 36$ |

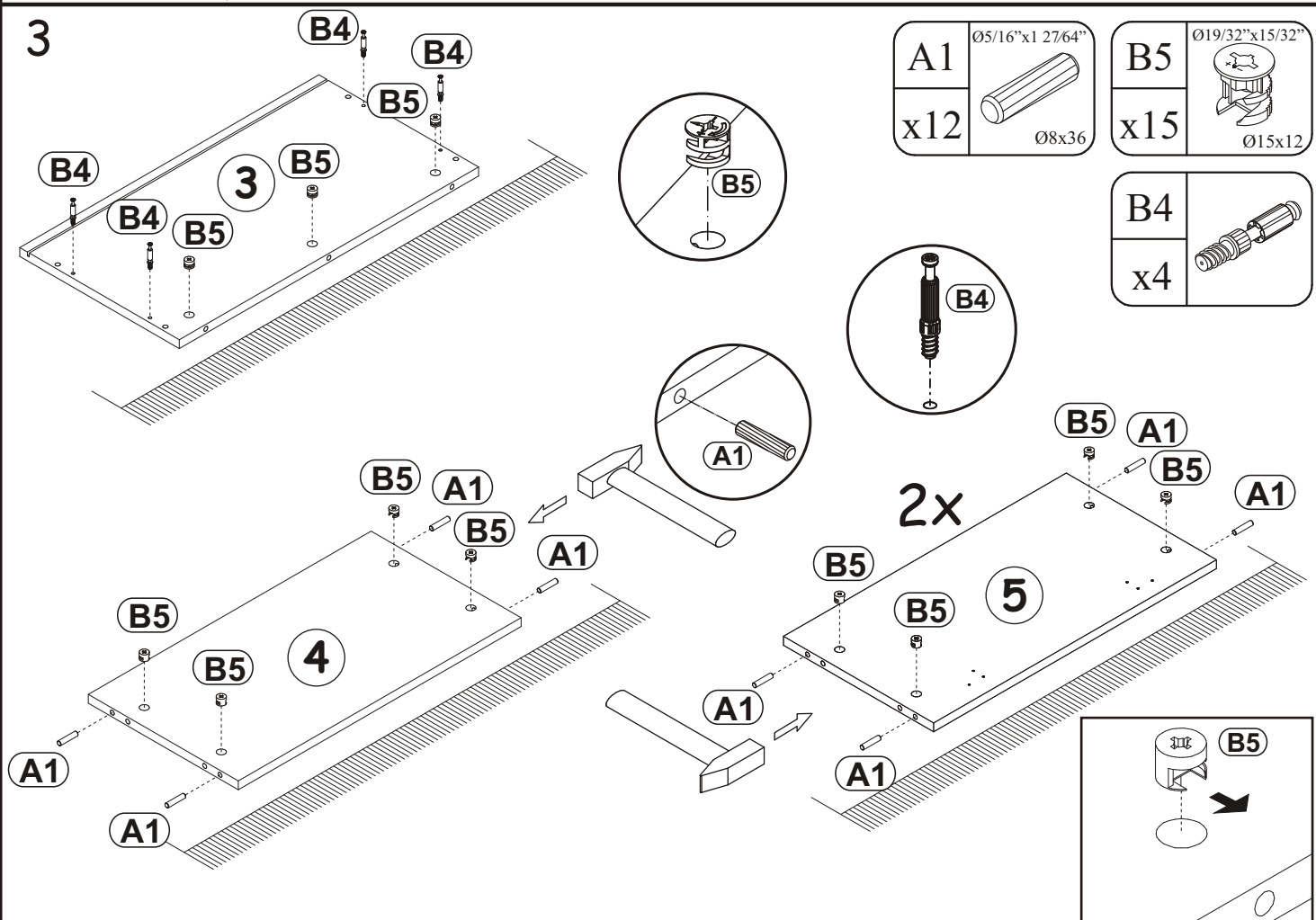


3

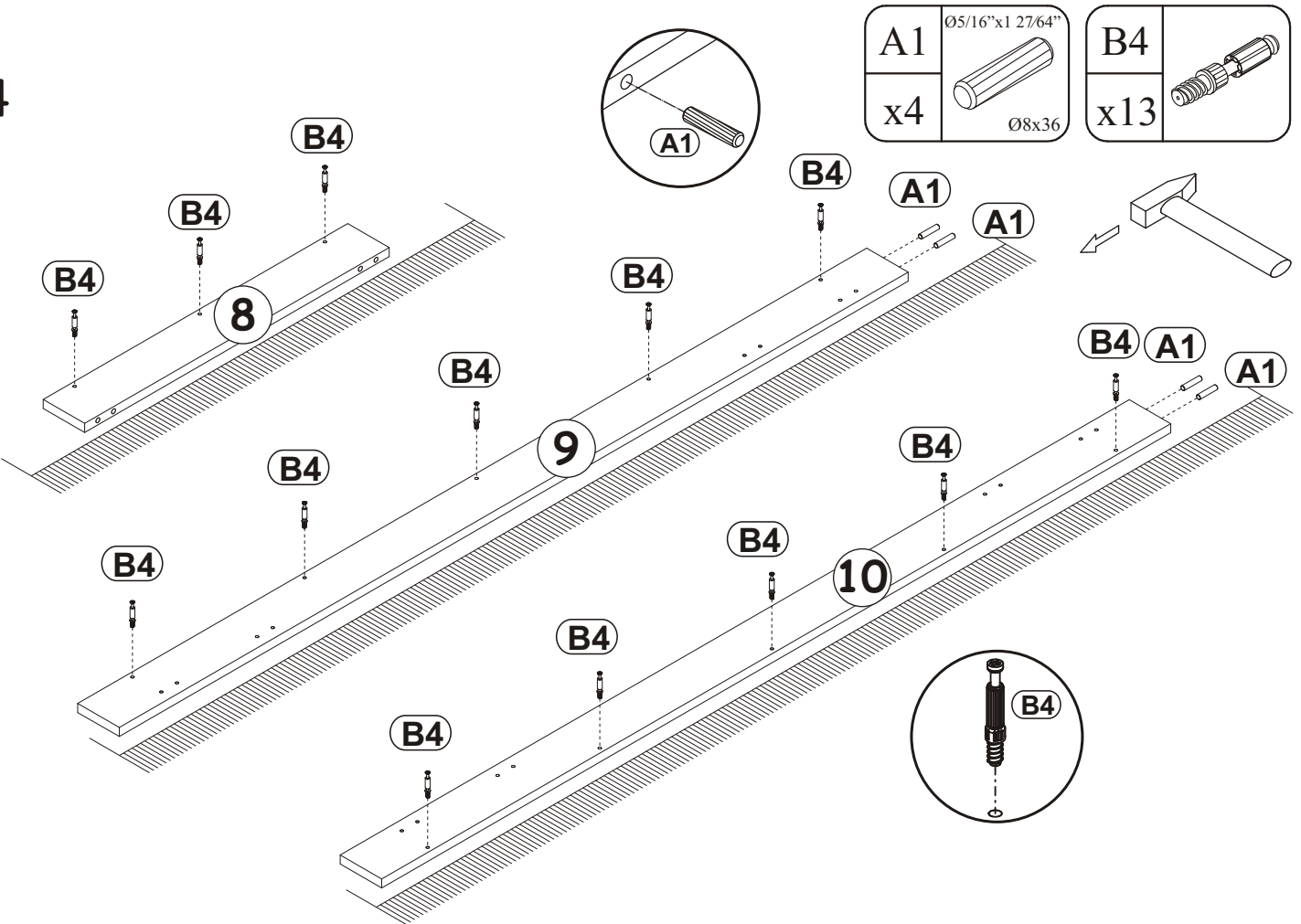
| | |
|-----|---|
| A1 |  |
| x12 | $\text{Ø}5/16 \times 1 \text{ 27/64}$ $\text{Ø}8 \times 36$ |

| | |
|-----|---|
| B5 |  |
| x15 | $\text{Ø}19/32 \times 15/32$ $\text{Ø}15 \times 12$ |

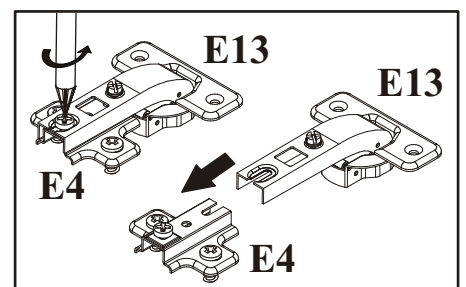
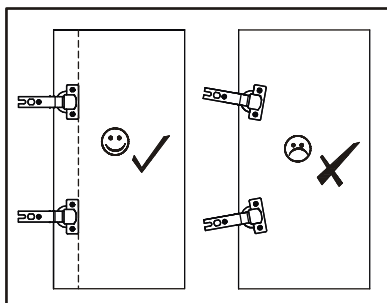
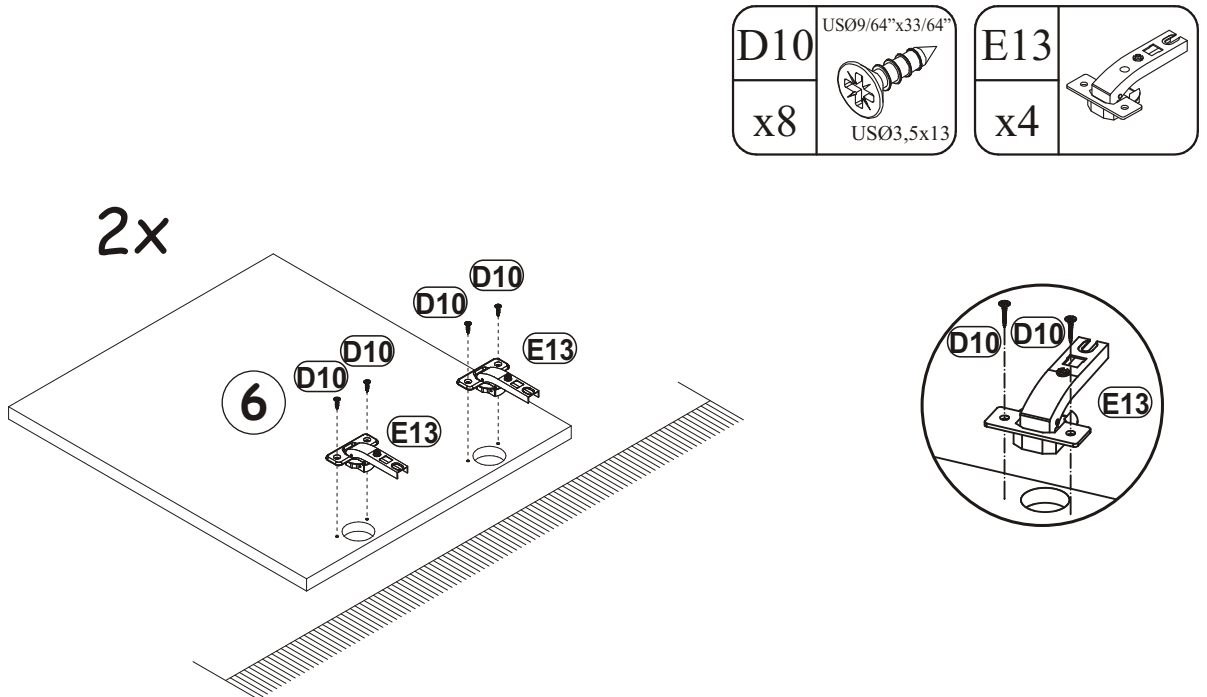
| | |
|----|---|
| B4 |  |
| x4 | |




4

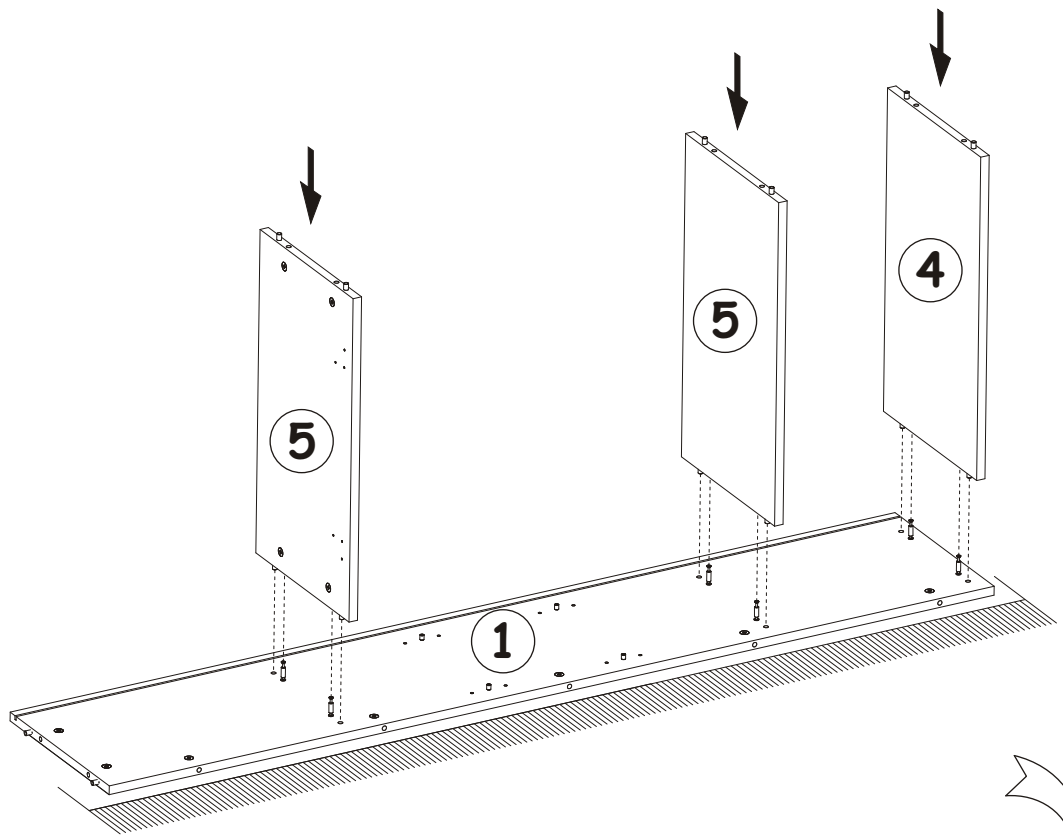
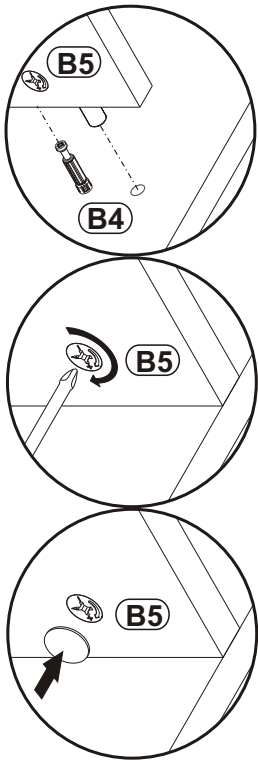


5




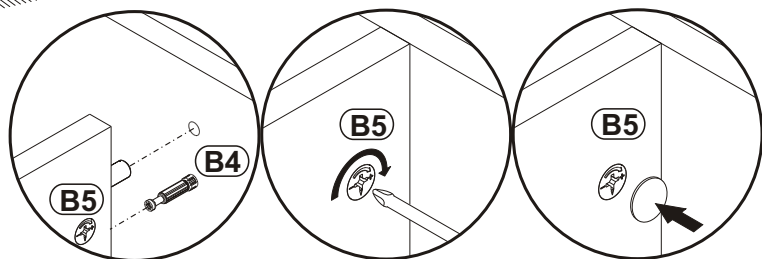
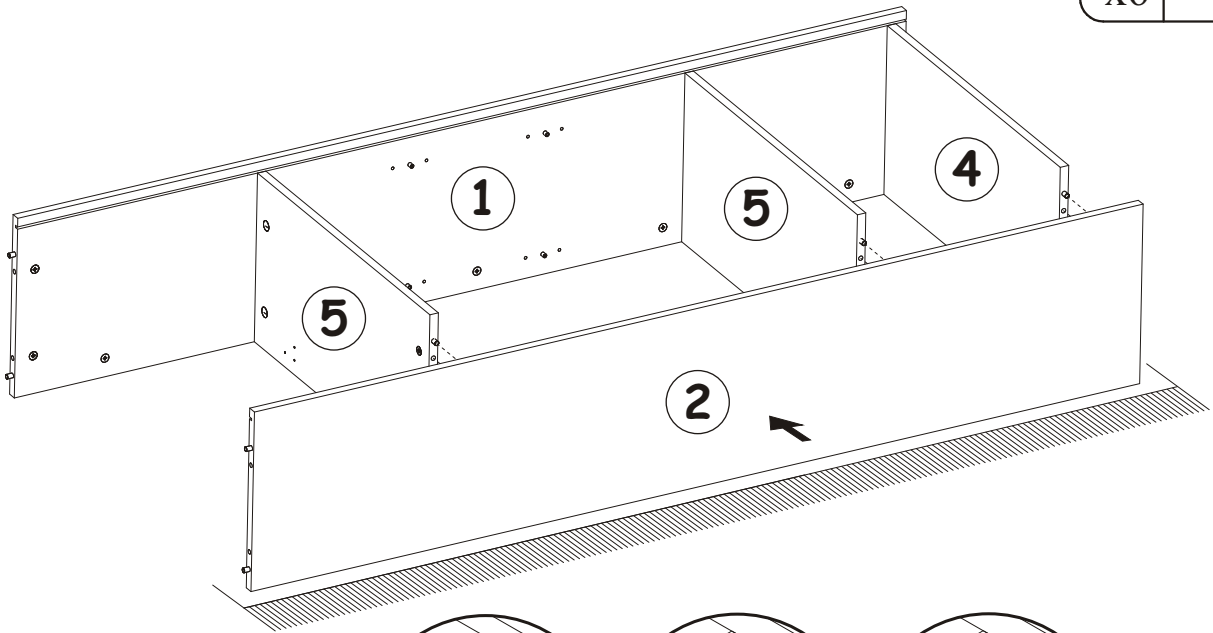
6

| | |
|----|---|
| G5 |  |
| x6 | |




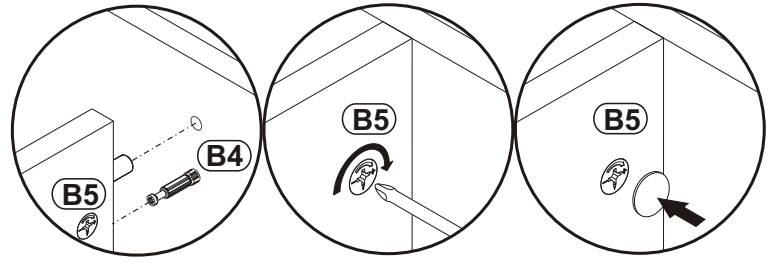
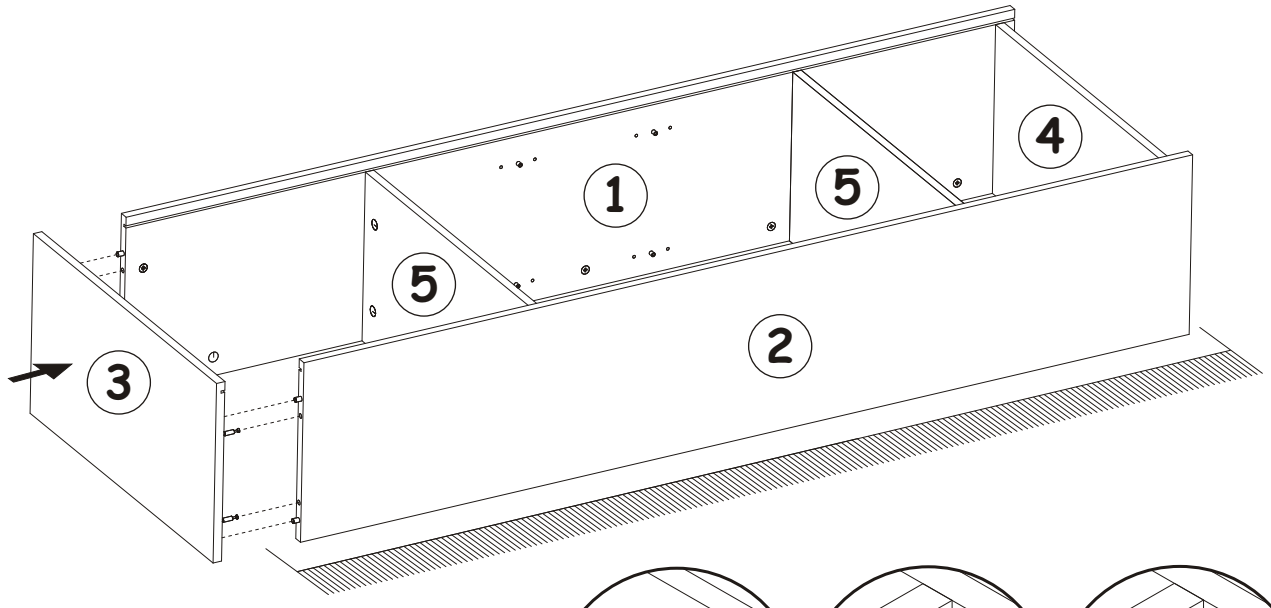
7

| | |
|----|---|
| G5 |  |
| x6 | |

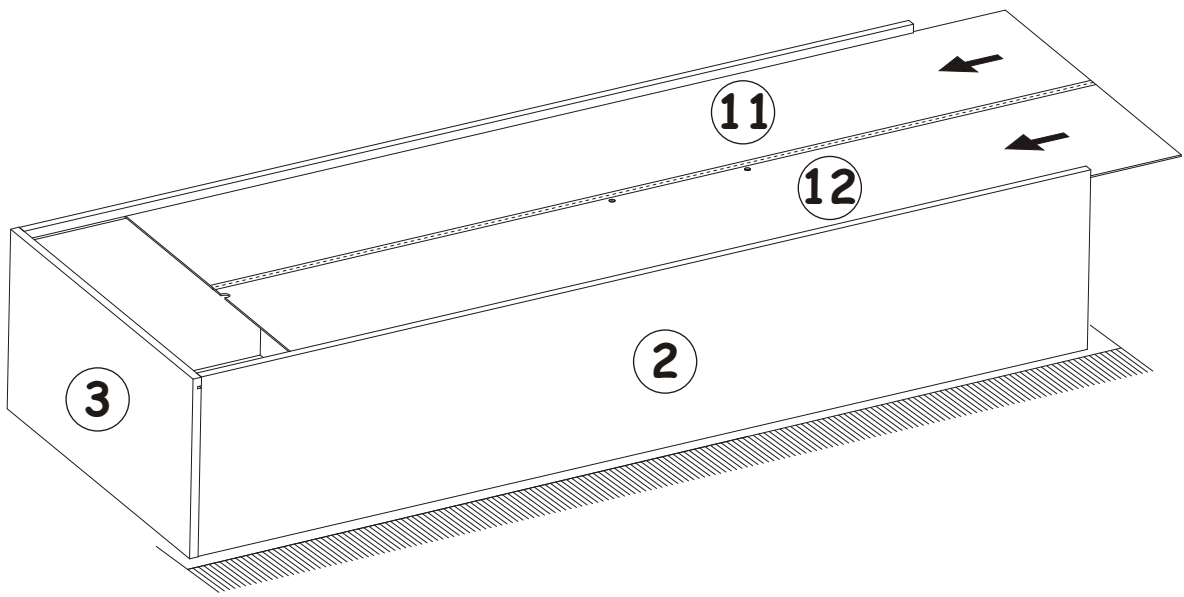


8

| | |
|----|---|
| G5 |  |
| x4 | |




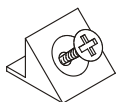
9

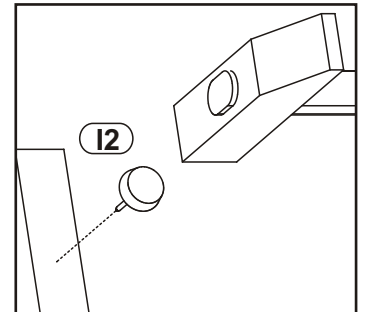
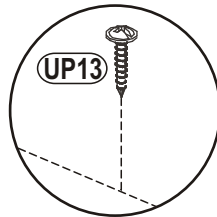
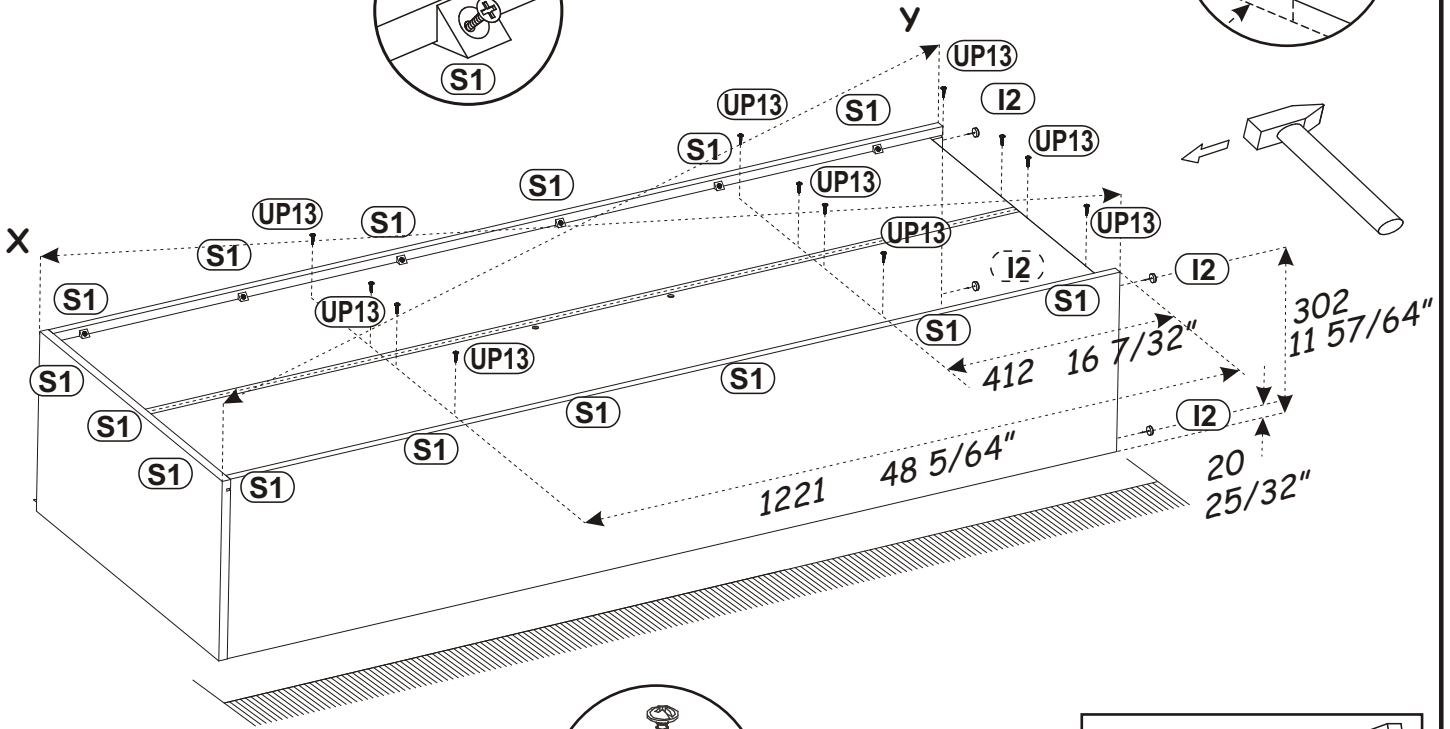
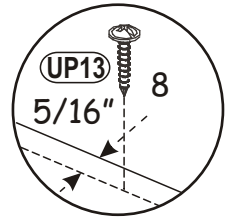
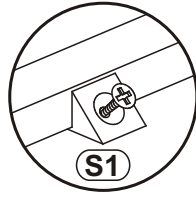
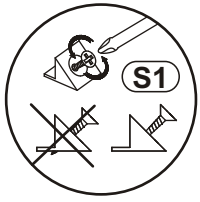


10

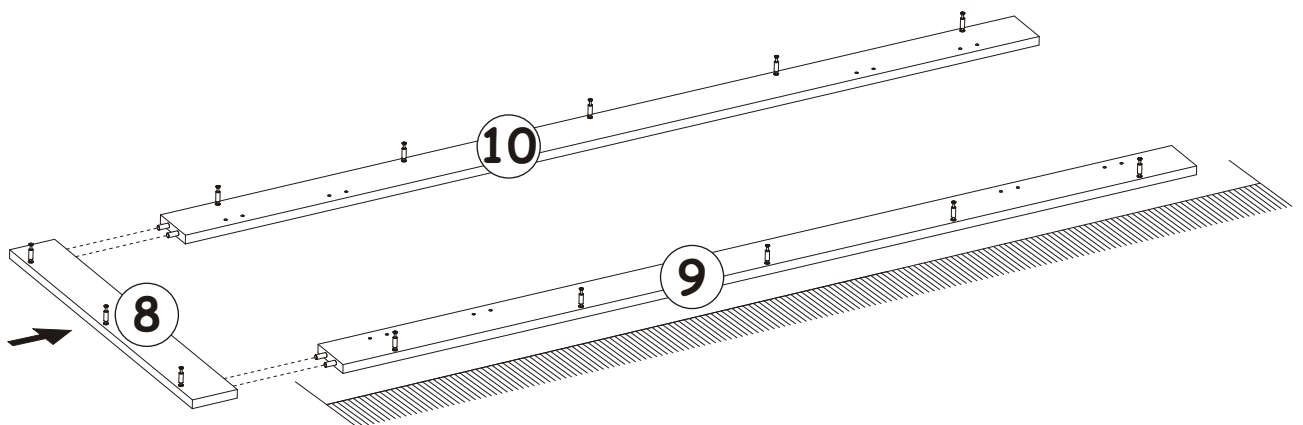
| | |
|------|--------------|
| UP13 | UPØ1/8"x5/8" |
| x12 | UPØ3x16 |

| | |
|----|---|
| I2 |  |
| x4 | |

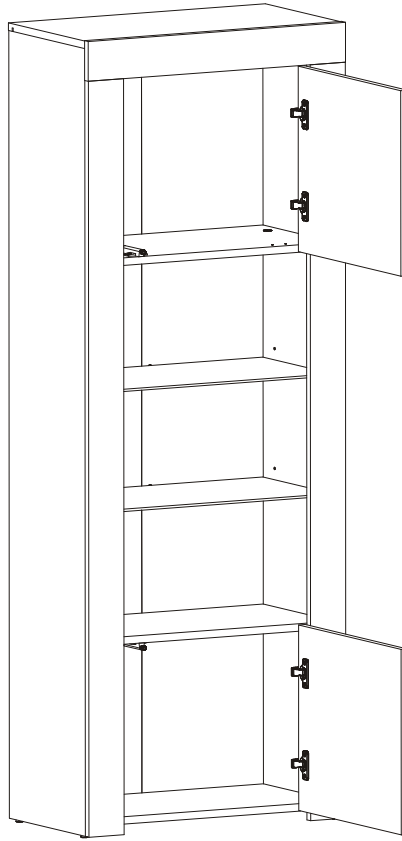
| | |
|-----|---|
| S1 |  |
| x15 | |



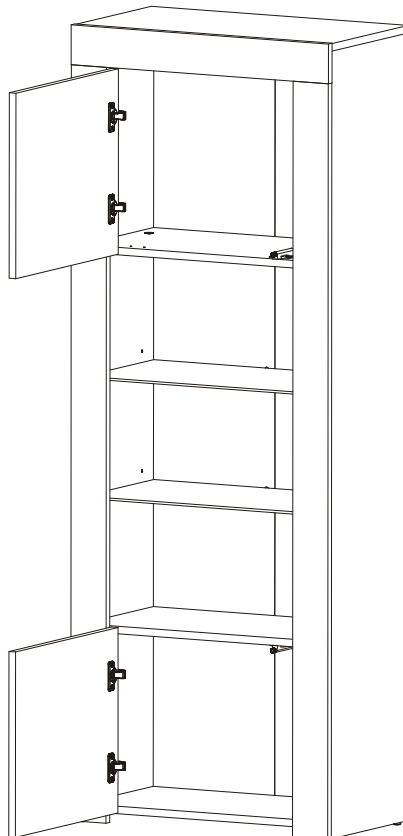
11



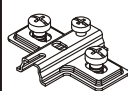
RIGHT
12-16

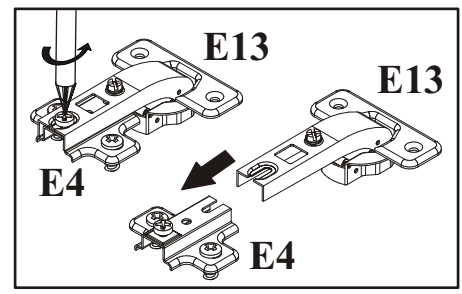
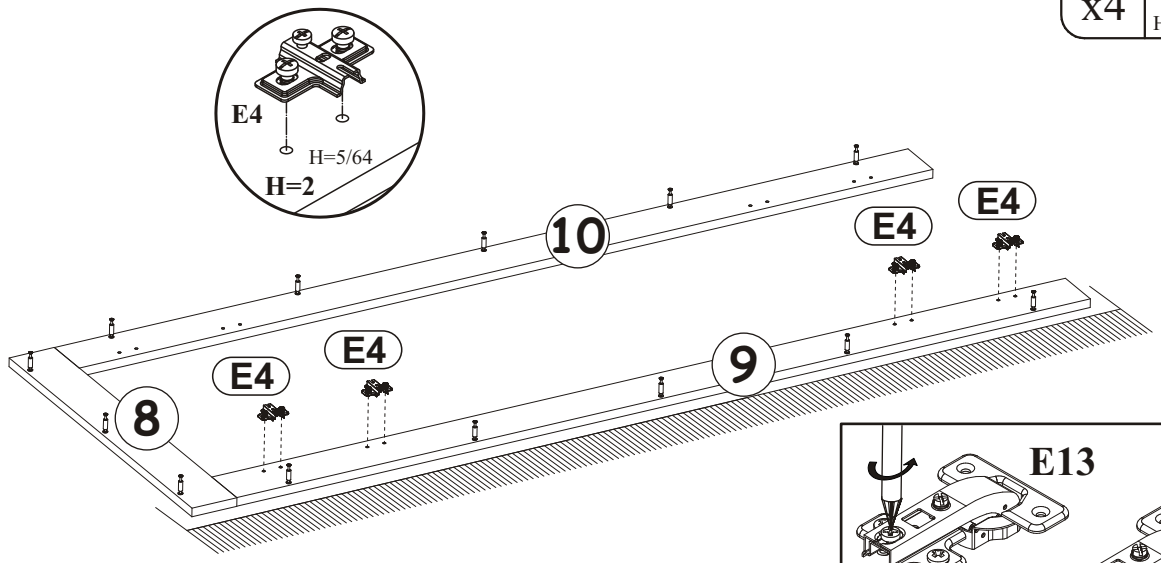


LEFT
17-21




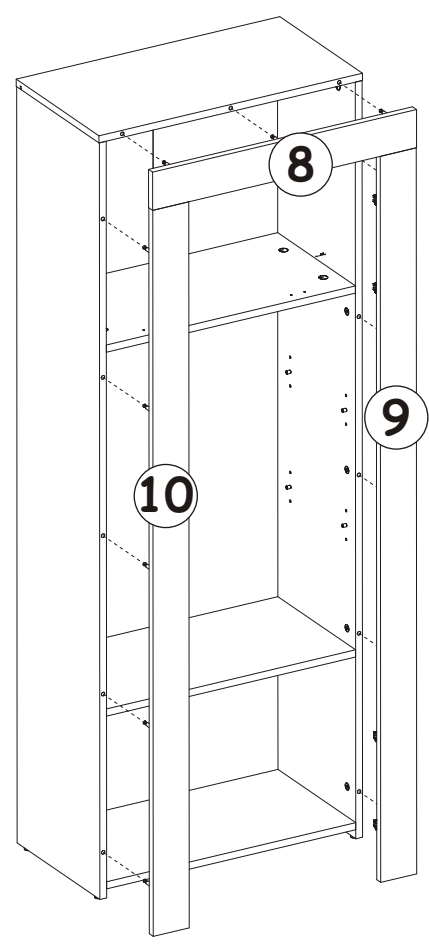
12

| | |
|----|---|
| E4 |  |
| x4 | H=2 H=5/64 |

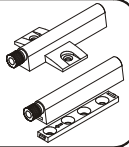



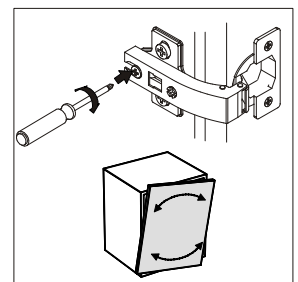
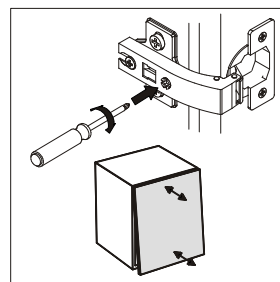
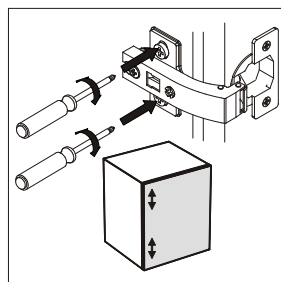
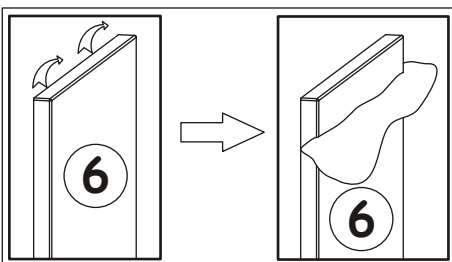
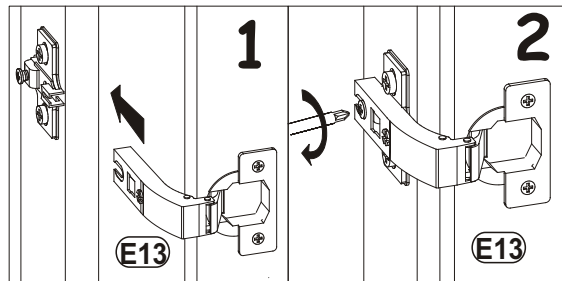
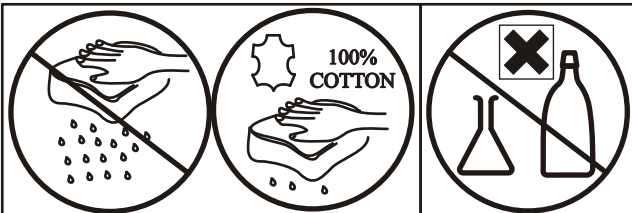
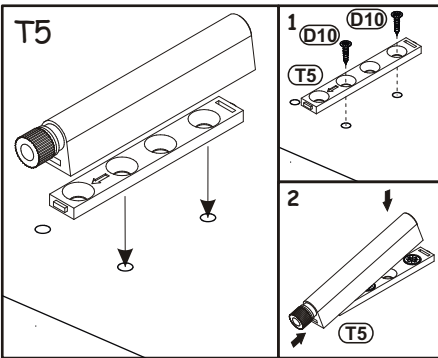
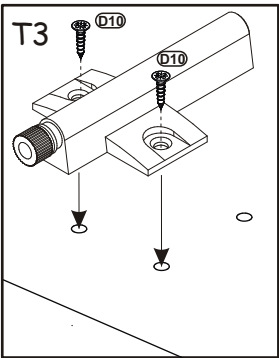
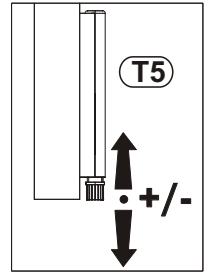
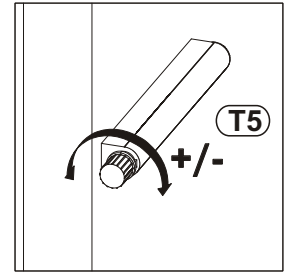
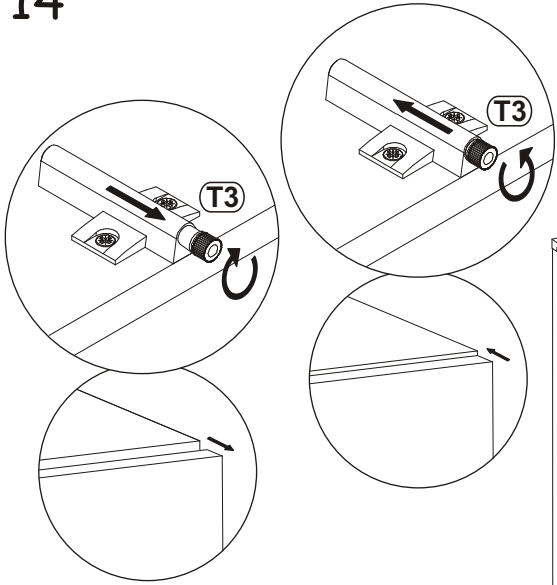
13

| | |
|-----|--|
| G5 |  |
| x13 | |





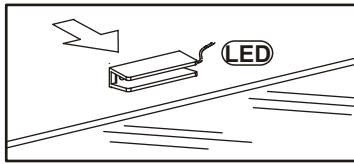
14

| | | | |
|-----|--|-------|--|
| D10 | USØ9/64"x33/64" | T3/T5 |  |
| x4 |  USØ3,5x13 | x2 | |

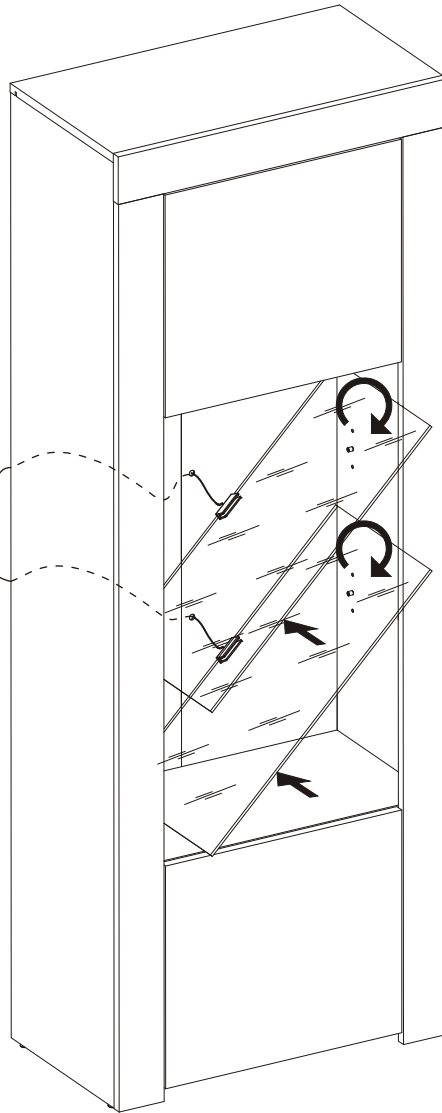
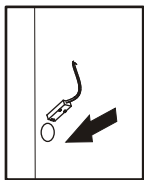
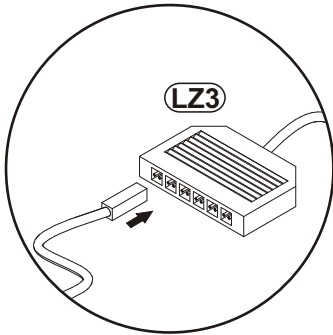
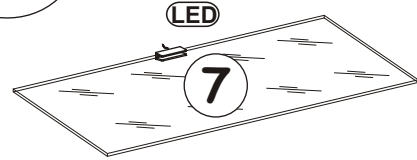


15

| | | | |
|-----|--|-----|---|
| LZ3 |  | LED |  |
| x1 | | x2 | |



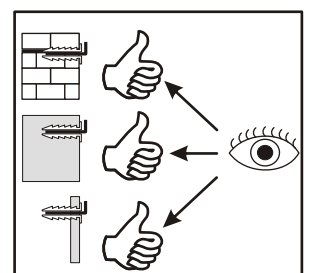
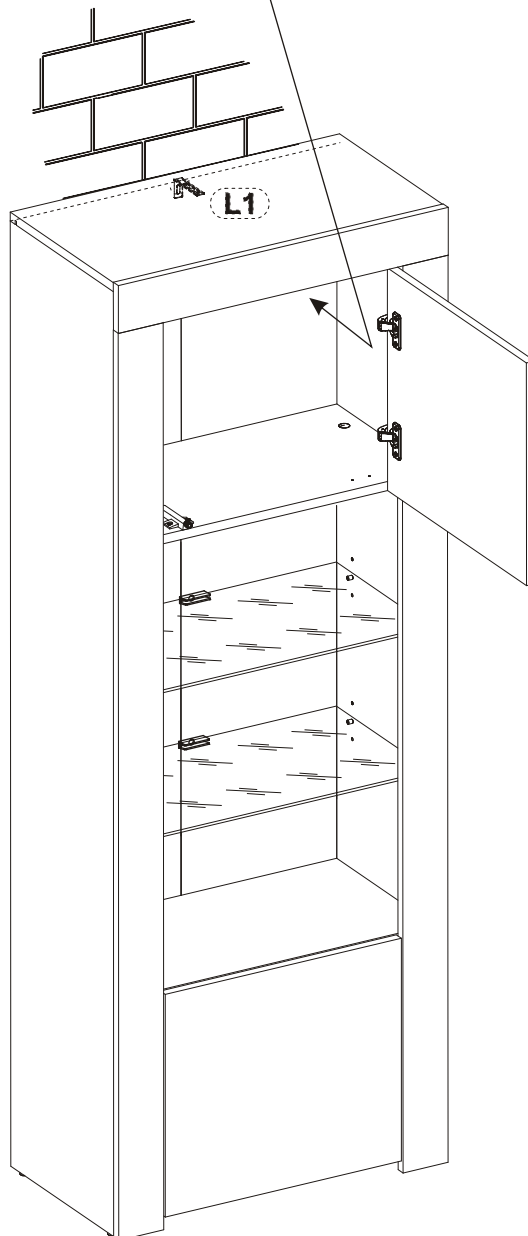
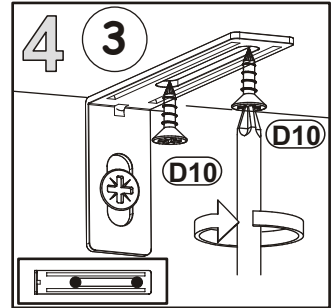
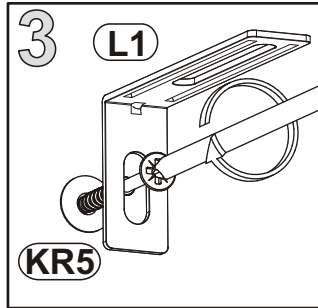
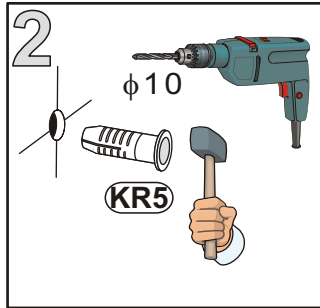
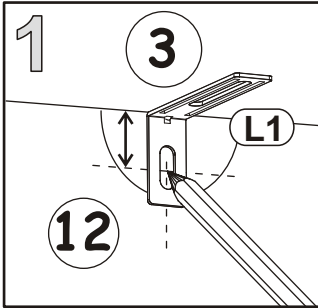
45°



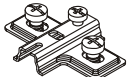
| | |
|-----|-----------------|
| D10 | USØ9/64"x33/64" |
| x2 | USØ3,5x13 |

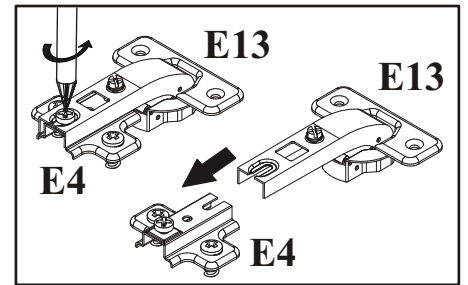
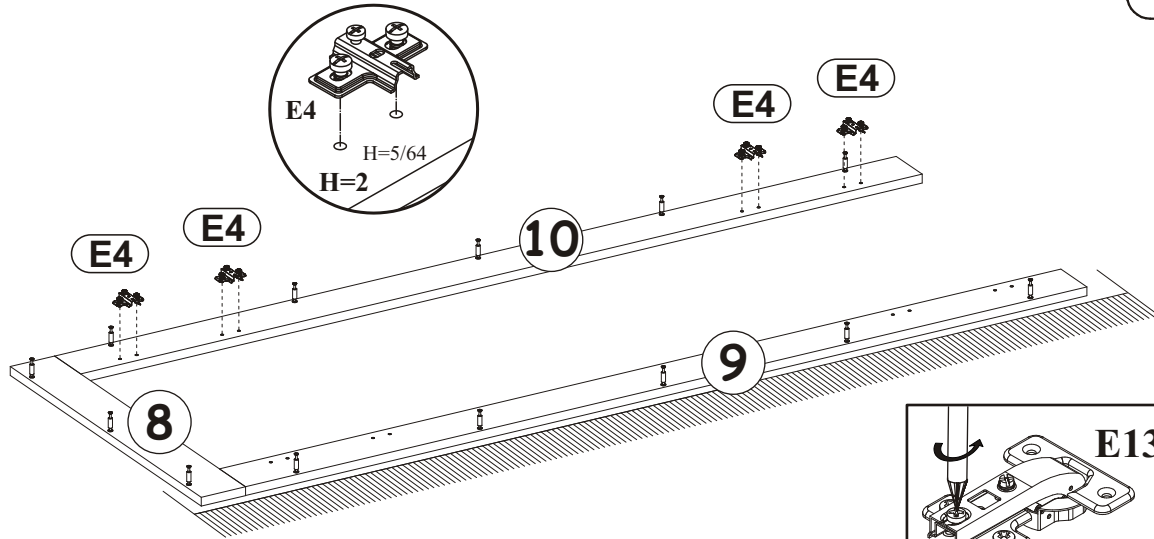
| | |
|----|------------------------------|
| L1 | 2 29/32"x1 11/32" x19/32" |
| x1 | 74x34x15 |

| | |
|------|--------------------------------|
| KR5 | Ø 25/64"/1 31/32" x2 23/64" |
| SFXP | |
| x1 | Ø10/50x60 |




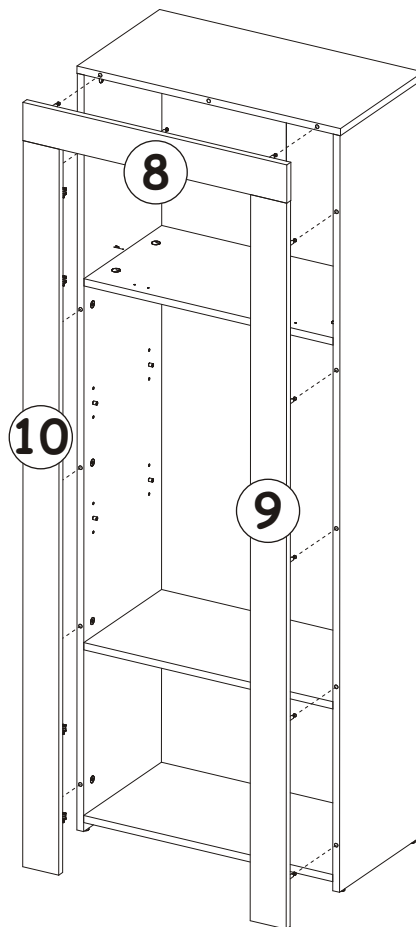
17

| | |
|----|---|
| E4 |  |
| x4 | H=2 H=5/64 |



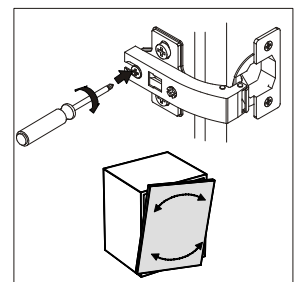
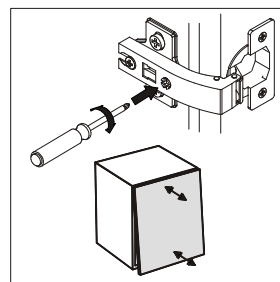
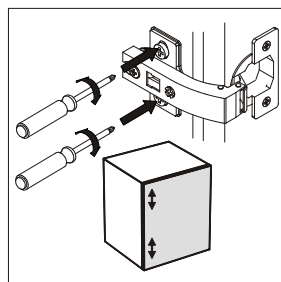
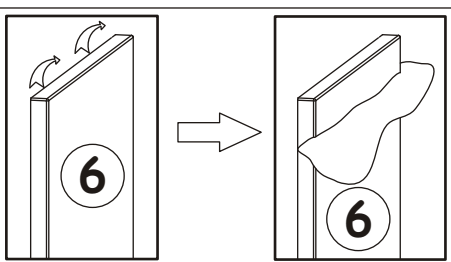
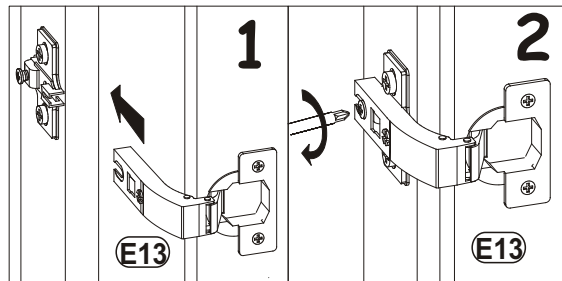
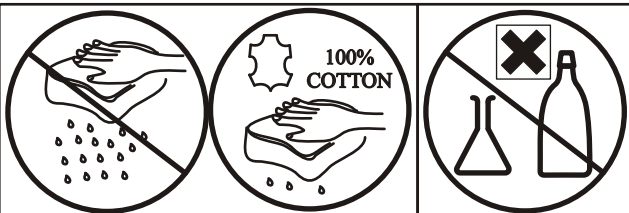
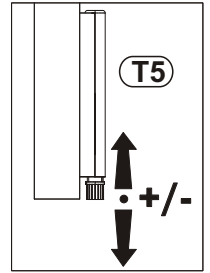
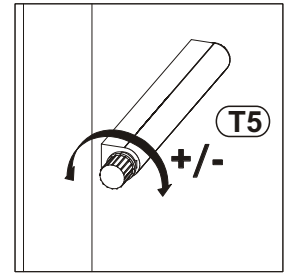
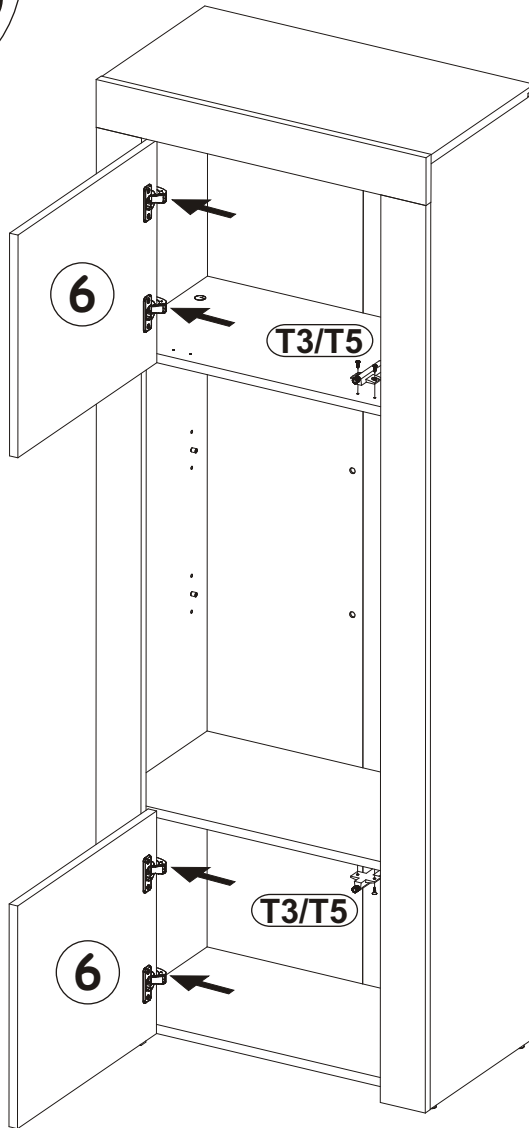
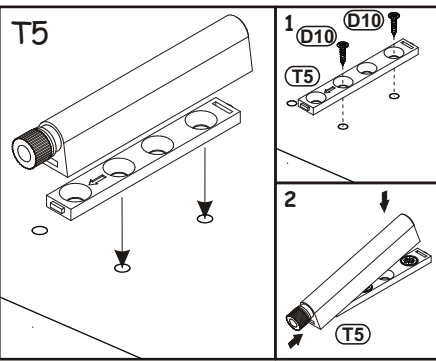
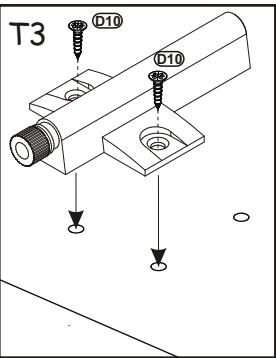
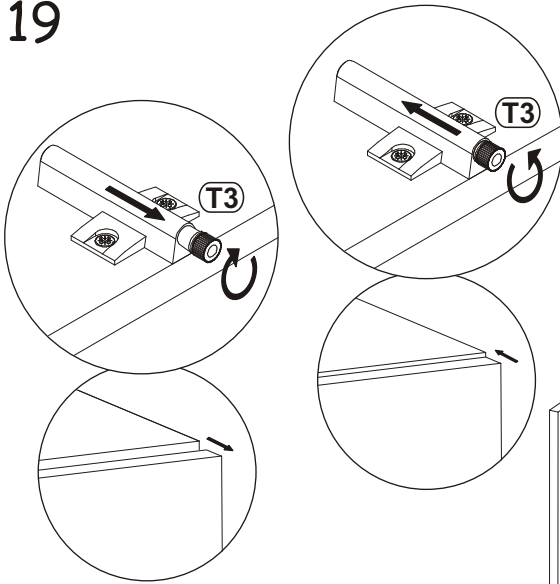
18

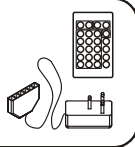
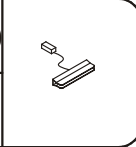
| | |
|-----|--|
| G5 |  |
| x13 | |

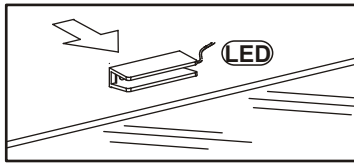


19

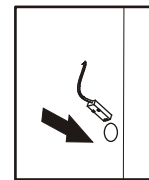
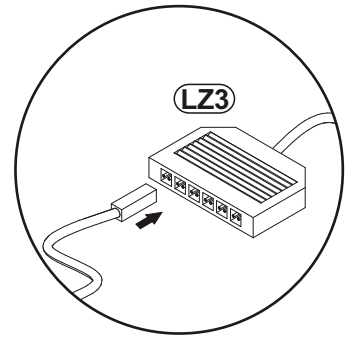
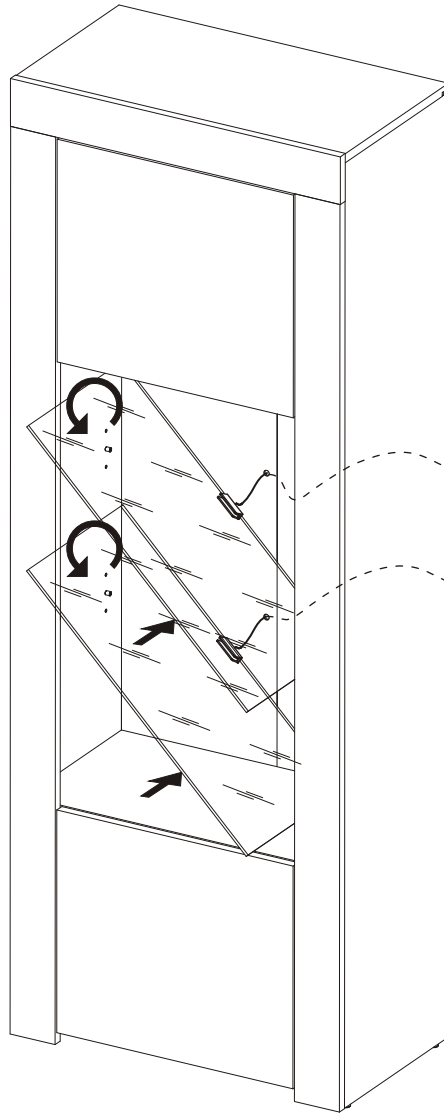
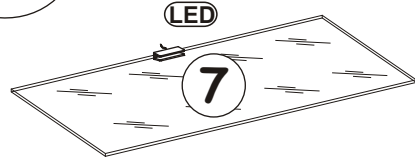

| | | | |
|-----|-----------------|-------|--|
| D10 | USØ9/64"x33/64" | T3/T5 | |
| x4 | USØ3,5x13 | x2 | |



| | | | |
|-----|--|-----|--|
| LZ3 |  | LED |  |
| x1 | | x2 | |



45°



| | |
|-----|-----------------|
| D10 | USØ9/64"x33/64" |
| x2 | USØ3,5x13 |

| | |
|----|------------------------------|
| L1 | 2 29/32"x1 11/32" x19/32" |
| x1 | 74x34x15 |

| | |
|------|--------------------------------|
| KR5 | Ø 25/64"/1 31/32" x2 23/64" |
| SFXP | |
| x1 | Ø10/50x60 |

