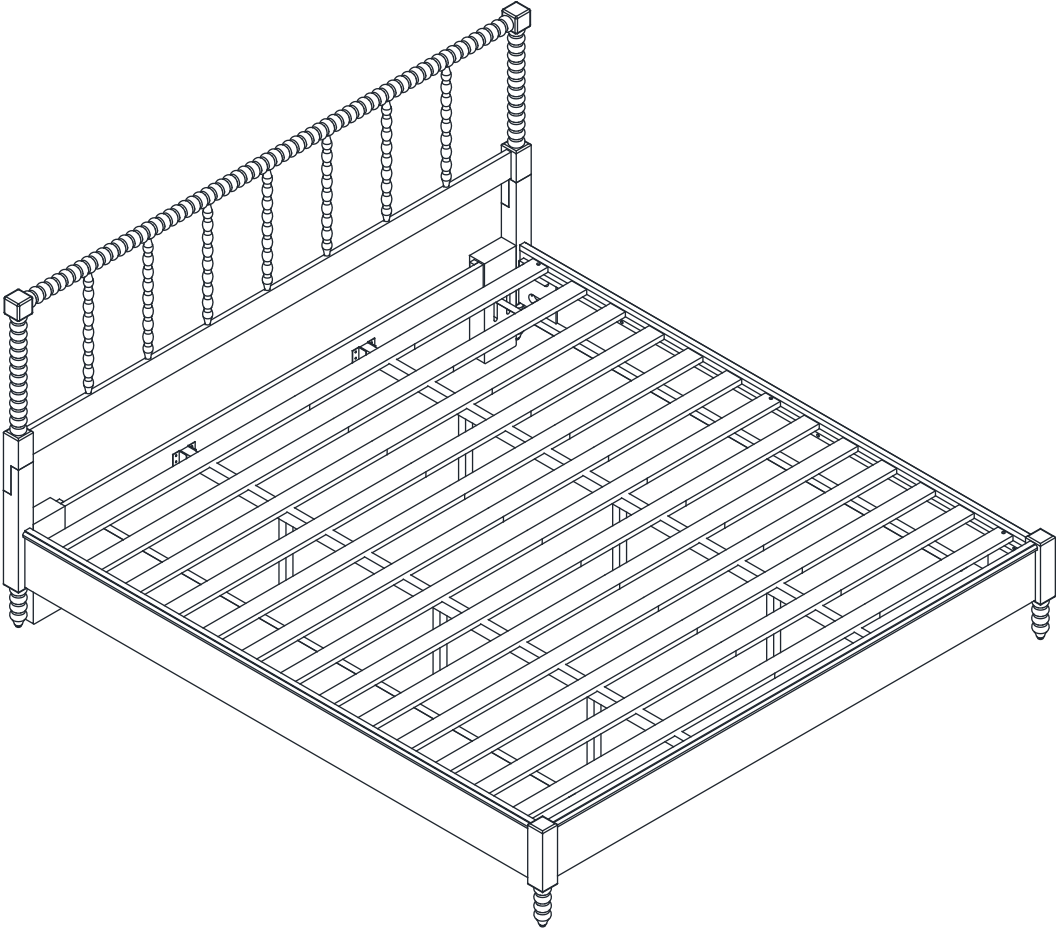
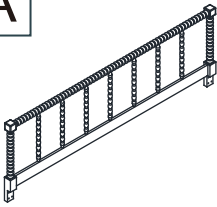
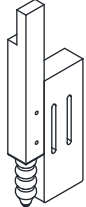

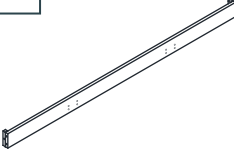
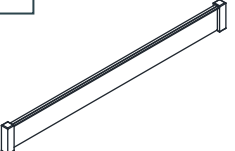
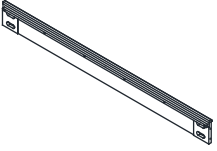
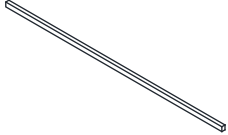

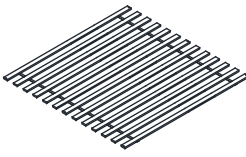



# King Bed

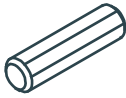
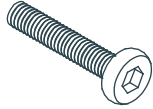
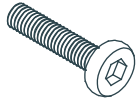



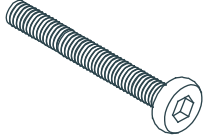

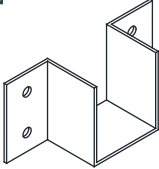
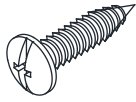
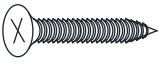


# PART LIST

				
<p>Headboard 1 PC</p>	<p>Left Post 1 PC</p>	<p>Right Post 1 PC</p>	<p>Crossbar 1 PC</p>	<p>Footboard 1 PC</p>
				
<p>Side Rail 2 PCS</p>	<p>Center Rail 2 PCS</p>	<p>Support Leg 6 PCS</p>	<p>Slats 1 SET</p>	<p>Footboard Leg 2 PCS</p>

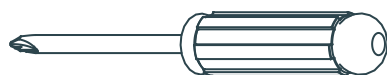
Please note headboard, left post, right post and crossbar will ship separately.

# HARDWARE LIST

<p>#1</p>  <p>Ø8mm*1-1/8"</p>	<p>#2</p>  <p>Ø1/4"*2"</p>	<p>#3</p>  <p>Ø1/4"*1-3/8"</p>	<p>#4</p> 	<p>#5</p> 
<p>Wood Dowel 4 PCS (Extra 1)</p>	<p>Medium Bolt 8 PCS (Extra 1)</p>	<p>Short Bolt 2 PCS (Extra 1)</p>	<p>Spring Washer 10 PCS (Extra 1)</p>	<p>Flat Washer 10 PCS (Extra 1)</p>
<p>#6</p>  <p>4mm</p>	<p>#7</p>  <p>Ø1/4"*3"</p>	<p>#8</p> 	<p>#9</p> 	<p>#10</p>  <p>4mm</p>
<p>Allen Wrench 1 PC</p>	<p>Long Bolt 8 PCS (Extra 1)</p>	<p>Crescent Washer 8 PCS (Extra 1)</p>	<p>U-Shape Bracket 4 PCS</p>	<p>Short Screw 16 PCS (Extra 1)</p>
<p>#11</p>  <p>#8*30mm</p> <p>Long Screw 6 PCS (Extra 1)</p>	<p>Please note hardware #1, #2, #3, #4, #5, #6 are shipped in the headboard package.</p>			

## ADDITIONAL TOOLS (Not Provided)

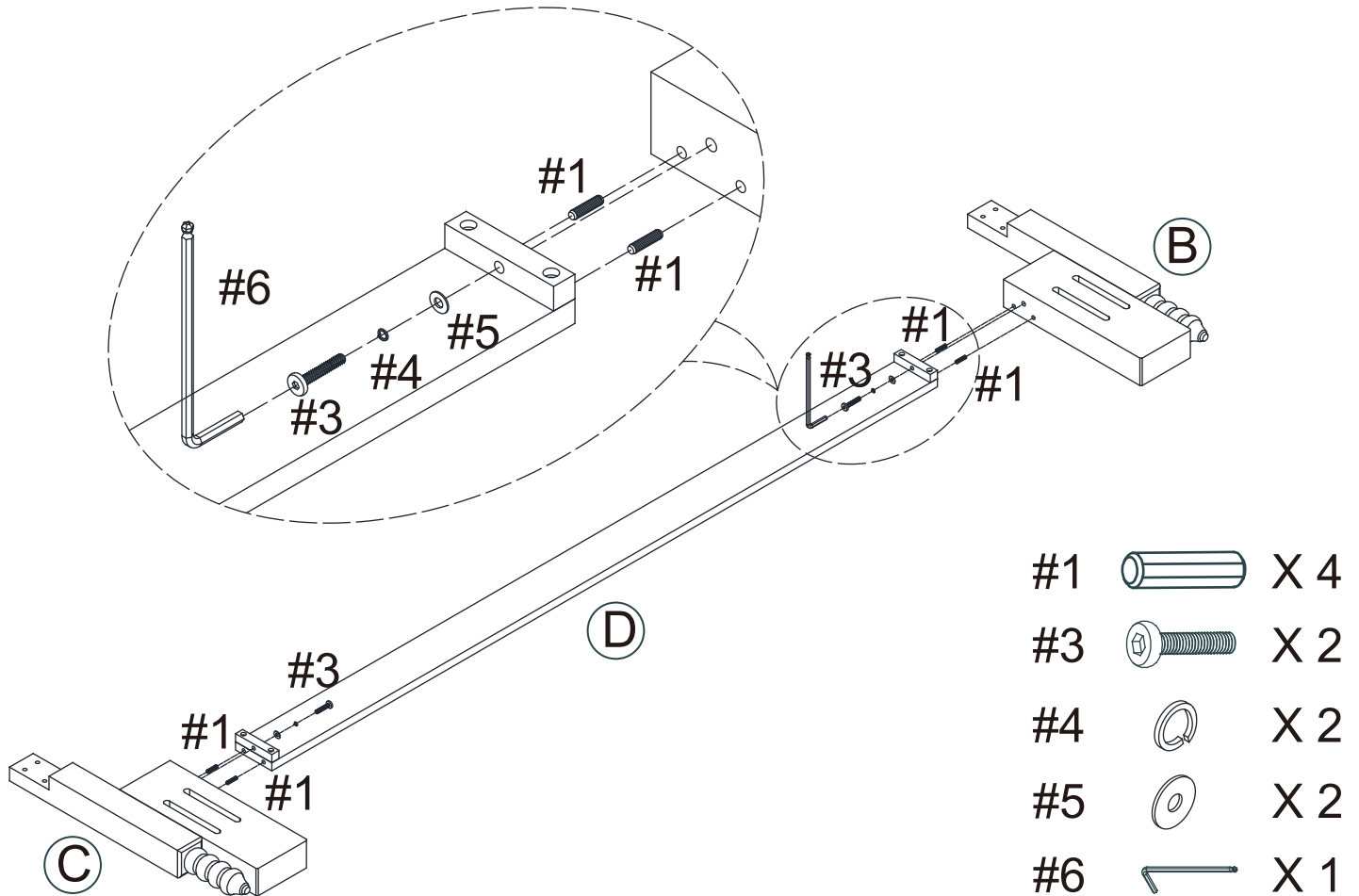
Note: It is not recommended to use power tools during assembly.



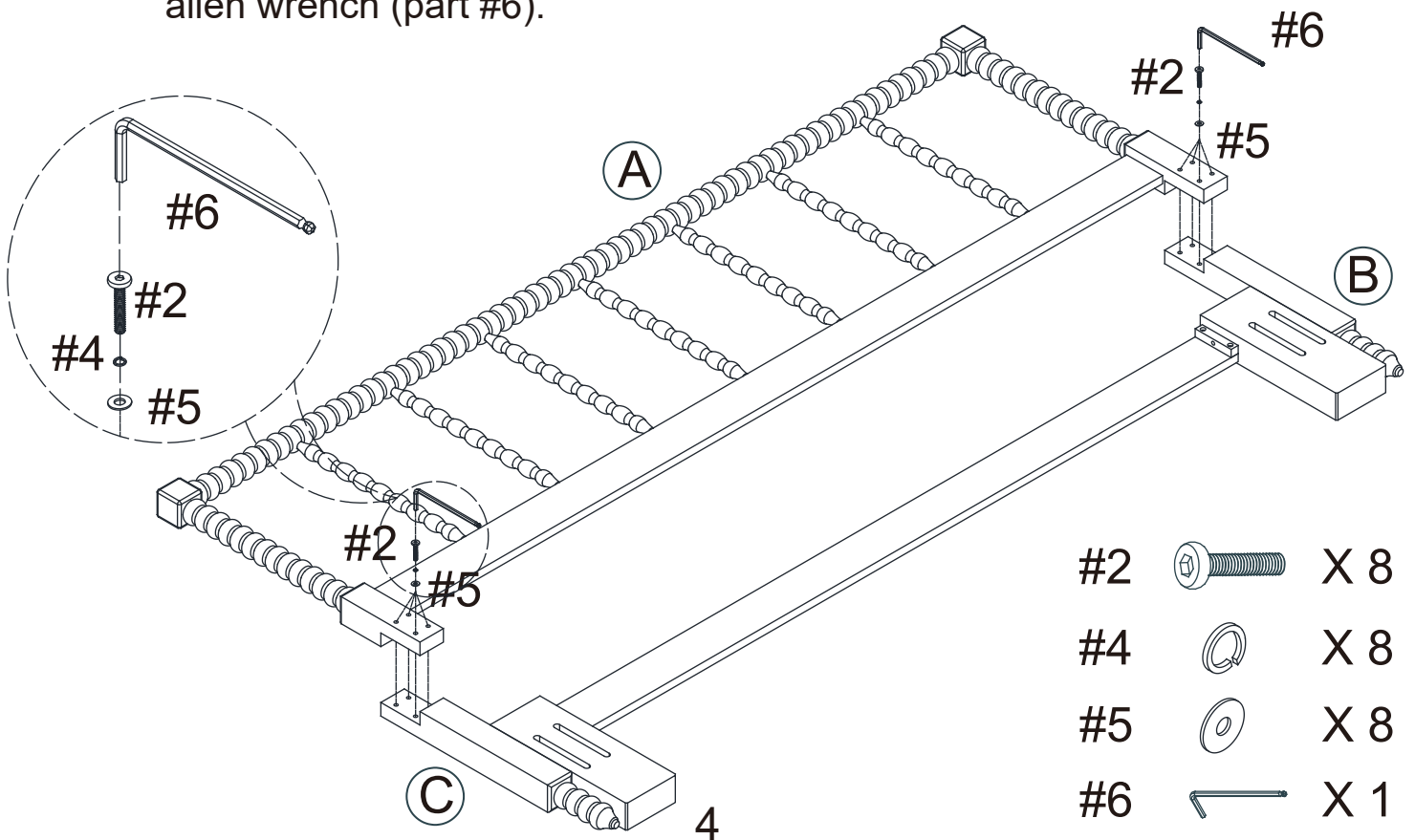
Phillips Head Screwdriver

Note: Wood dowels are intended for alignment. Additional clearance between wood dowel and pre-drilled hole is intentional for ease of assembly.

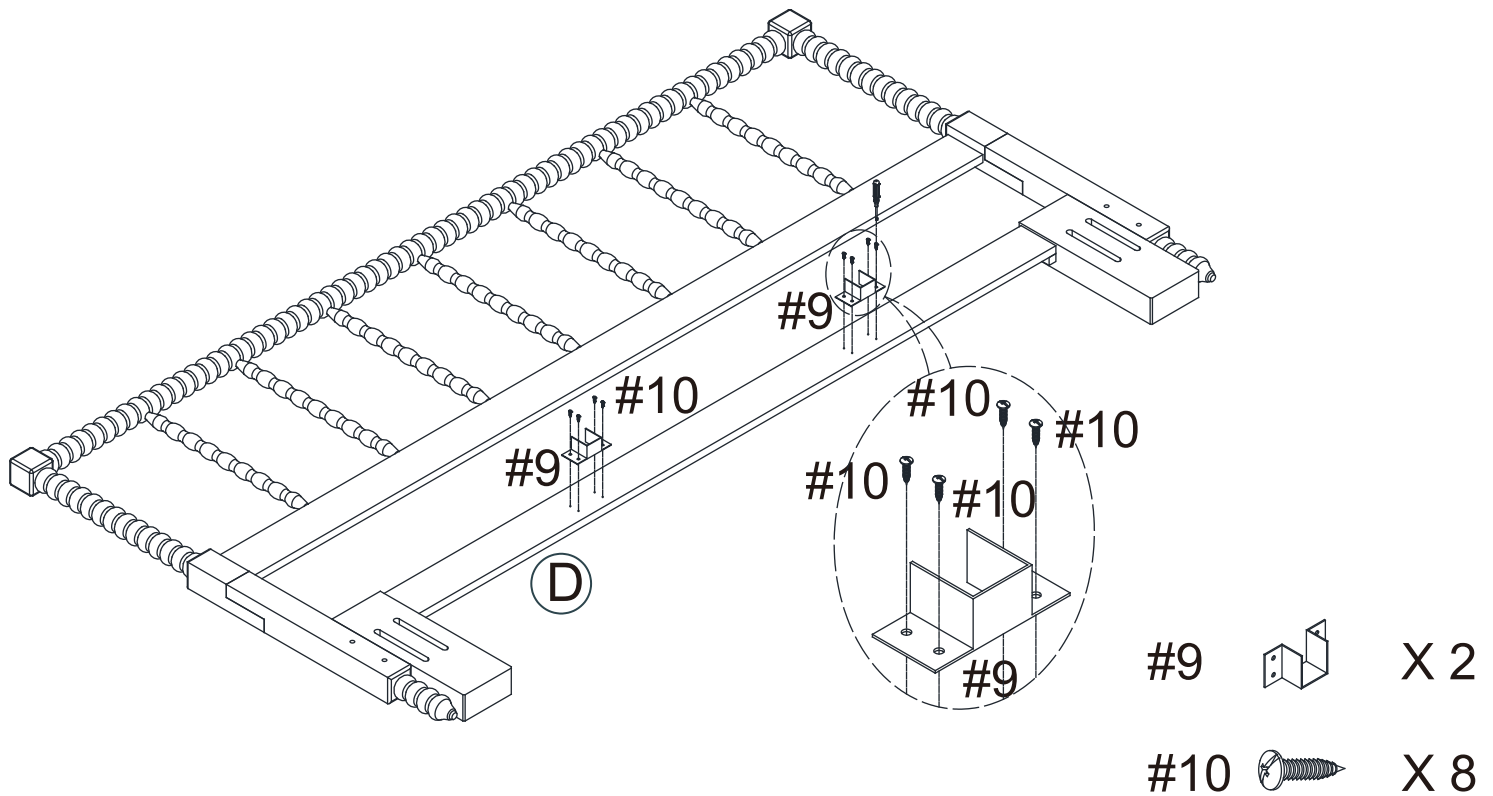
Step 1. Attach left post (part B) and right post (part C) to crossbar (part D) using wood dowels (part #1), short bolts (part #3), spring washers (part #4), flat washers (part #5) and allen wrench (part #6).



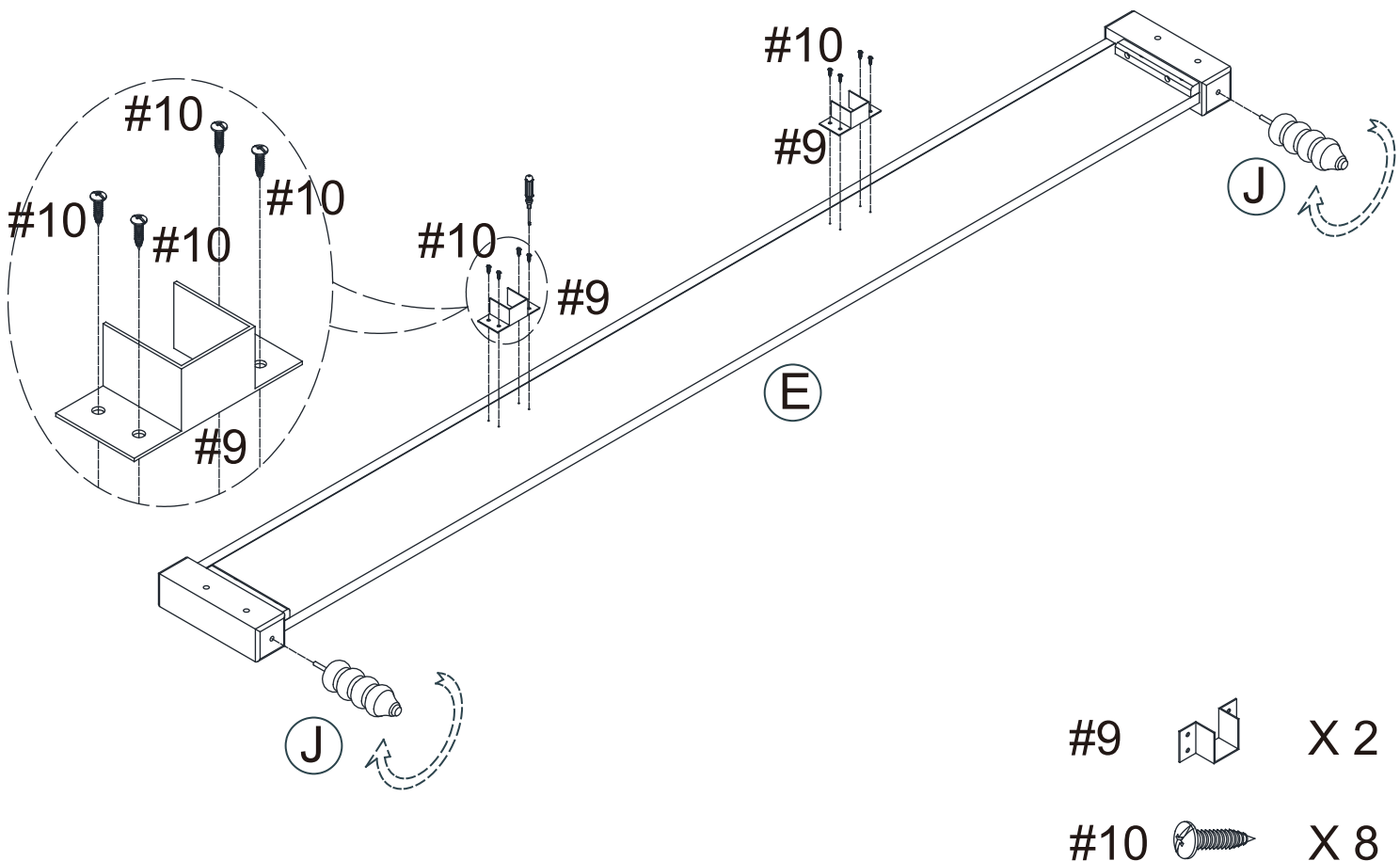
Step 2. Attach left post (part B) and right post (part C) to headboard (part A) using medium bolts (part #2), spring washers (part #4), flat washers (part #5) and allen wrench (part #6).



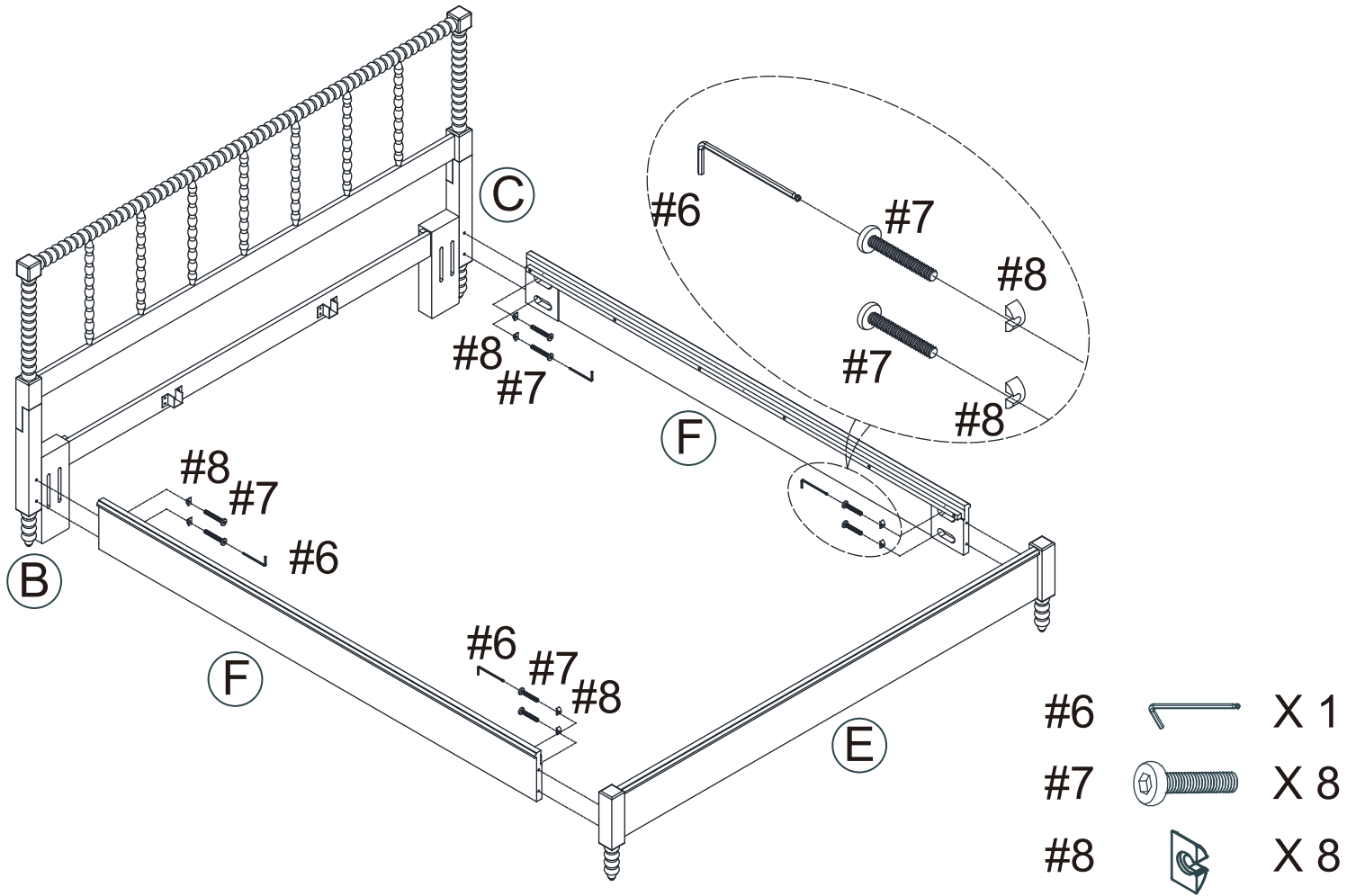
Step 3. Attach u-shape brackets (part #9) to crossbar (part D) using short screws (part #10) and phillips head screwdriver.



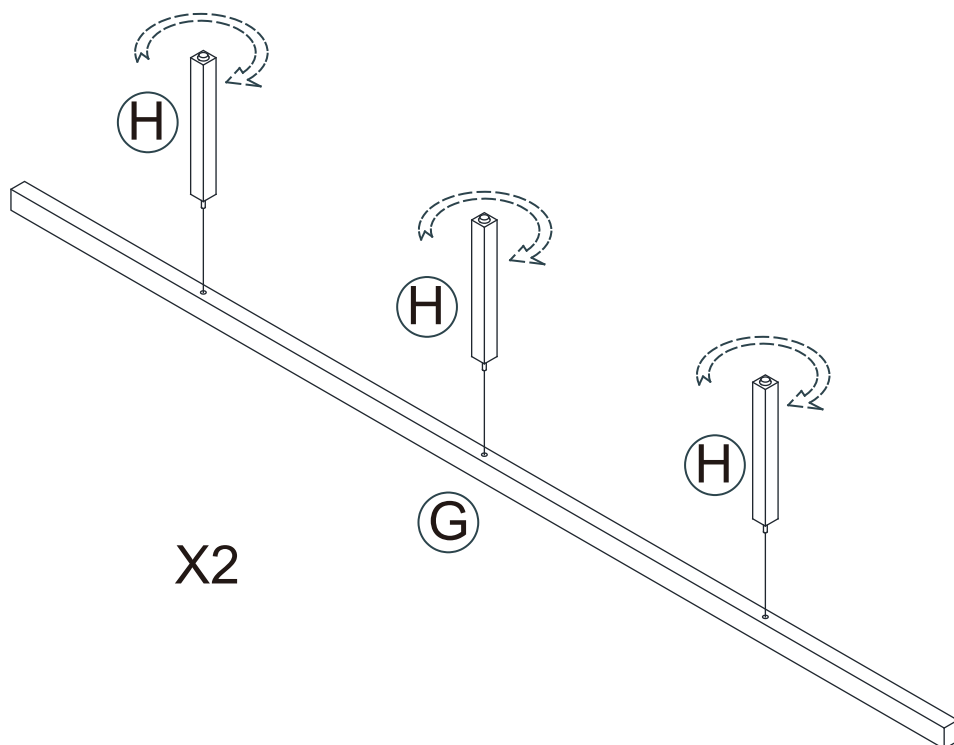
Step 4. Attach footboard legs (part J) to footboard (part E). Attach u-shape brackets (part #9) to footboard (part E) using short screws (part #10) and phillips head screwdriver.



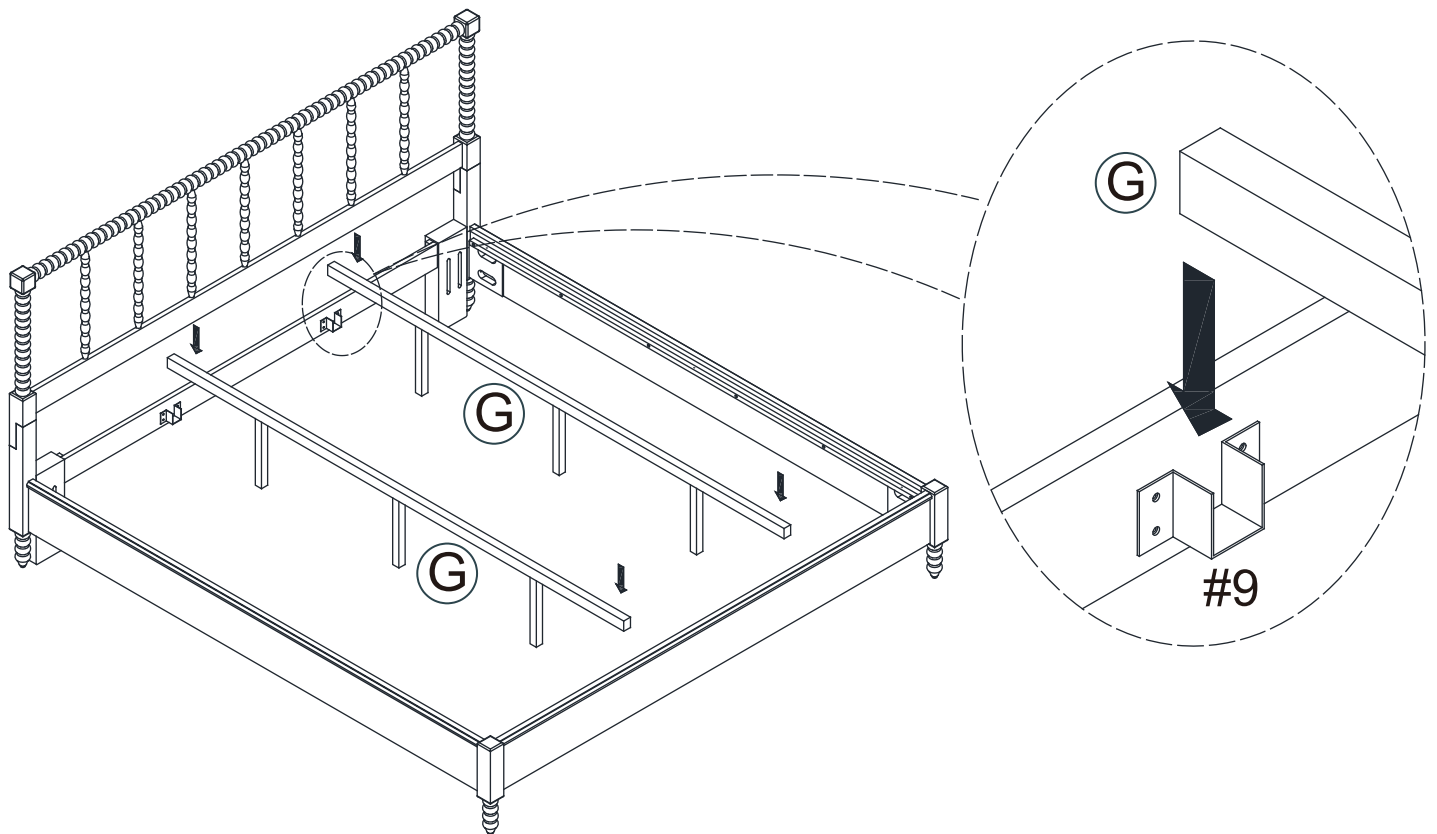
Step 5. Attach side rails (part F) to left post (part B), right post (part C) and footboard (part E) using long bolts (part #7), crescent washers (part #8) and allen wrench (part #6).



Step 6. Attach support legs (part H) to center rails (part G).



Step 7. Attach center rails (part G) to u-shape brackets (part #9).



Step 8. Attach slats (part I) to side rails (part F) using long screws (part #11) and phillips head screwdriver.

