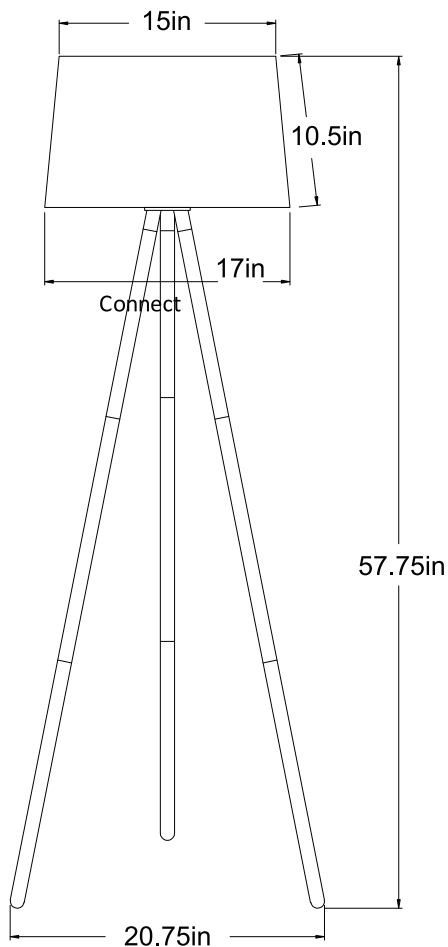
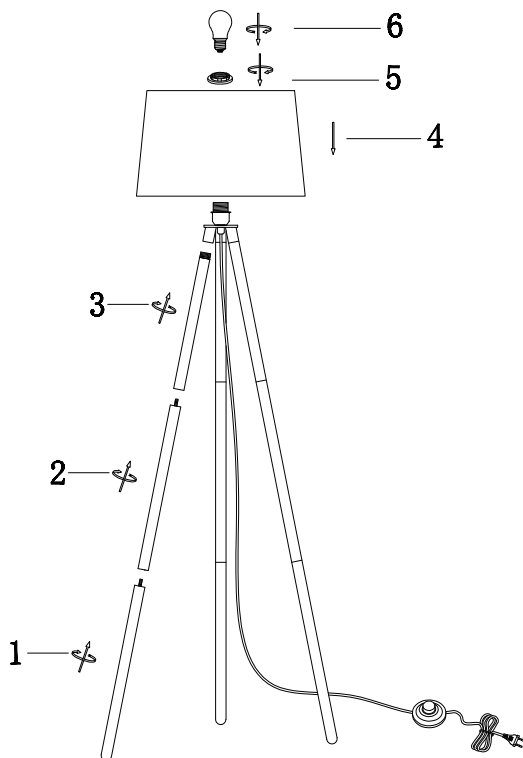


Floor Lamp



Installation Instructions

Connect the base post(1),base post(2) and base post(3)in sequence and tighten to the triangular base.Align the lampshade(4)to the light stand.Use screw cap(5) to tighten the lampshade(4) to the light stand.Gently screw the G45 LED bulb(6) into the socket.



Specifications

Input Voltage:	110~120V/60Hz
Material:	Metal,Wood,Fabric
Lamp Socket:	E26
Light Bulb:	Max.60W(NOT INCL)
Switch Type:	Foot Switch

Made in China