





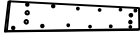






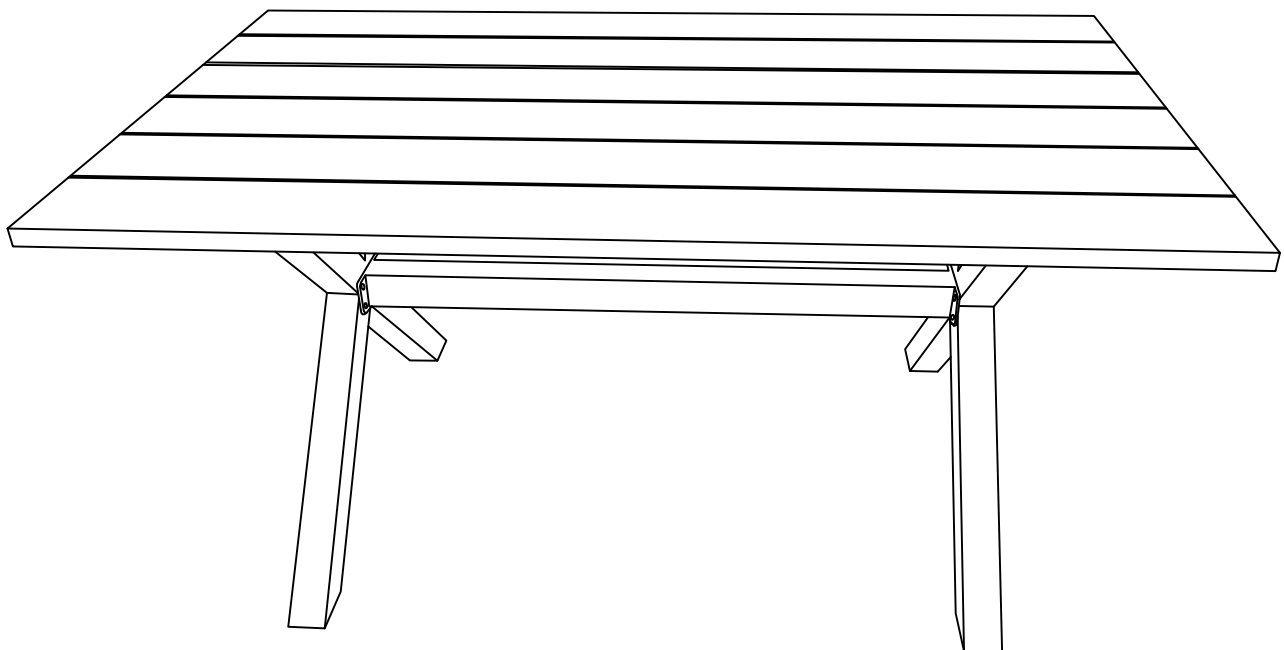
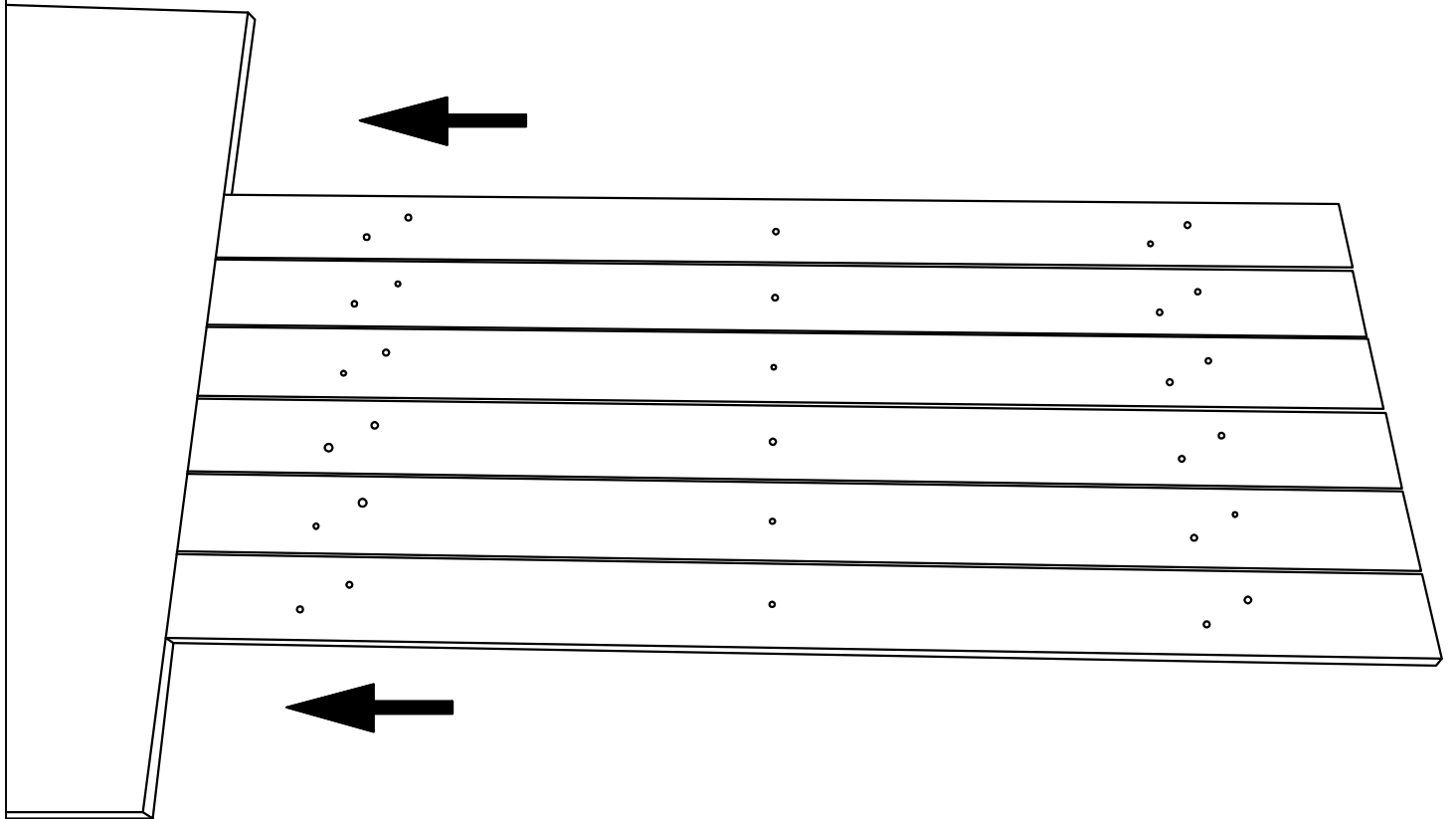


Assembly Instruction

Parts List:

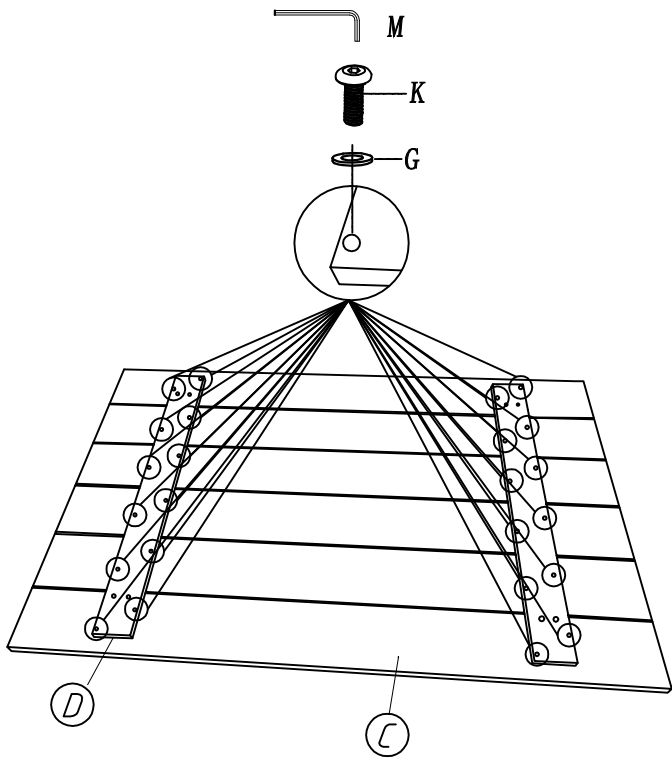
REF	PART NAME	PART IMAGE	QTY	REF	PART NAME	PART IMAGE	QTY	
A	Foot tube		2	G	STEEL WASHER M6		32	+1PCS
B	Foot tube		2	H	STEEL WASHER M8		8	+1PCS
C	Desktop		6	I	SPRING GASKET M8		8	+1PCS
D	Desktop support		2	J	BOLT (M6*15)		8	+1PCS
E	Foot connector pipe		1	K	BOLT (M6*30)		24	+1PCS
				L	BOLT (M8*20)		8	+1PCS
				M	WRENCH M6		2	
				N	WRENCH M8		1	





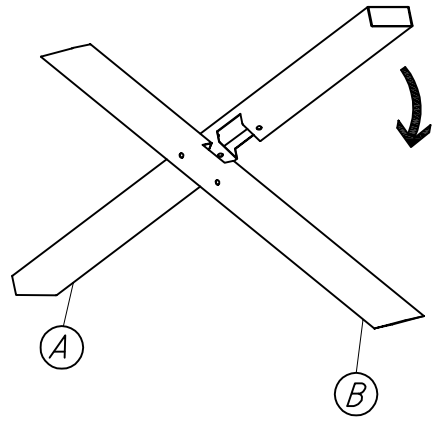
STEP 1

*1



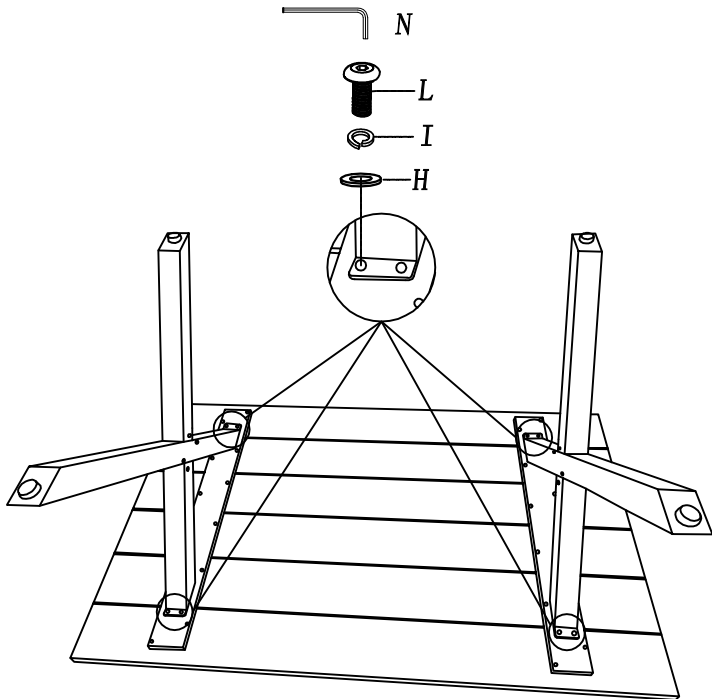
STEP 2

*1



STEP 3

*1



STEP 4

*1

