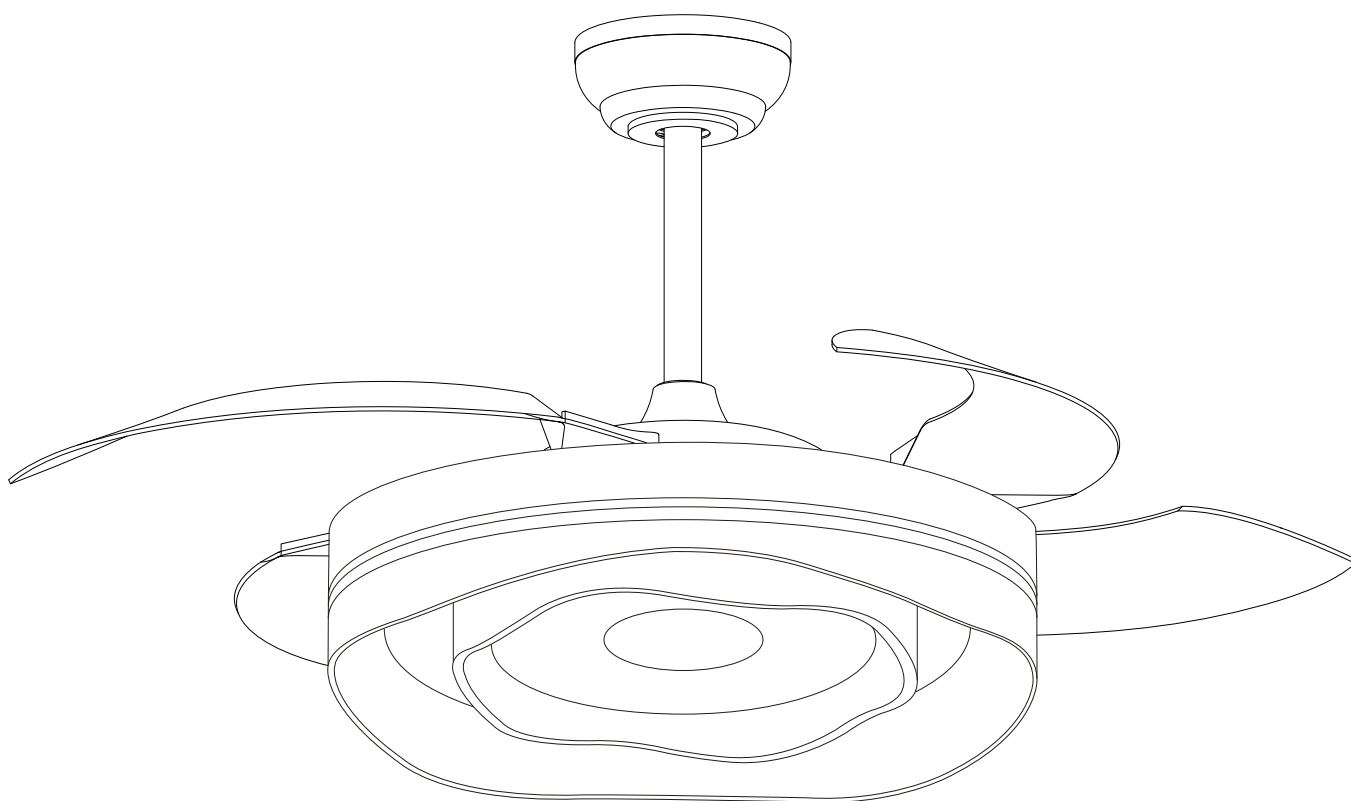


ENERGY SAVING LIFE

Ceiling Fan With Light User Manual



Please give us a chance to make it right and do better !

Contact our friendly customer service department for help first.

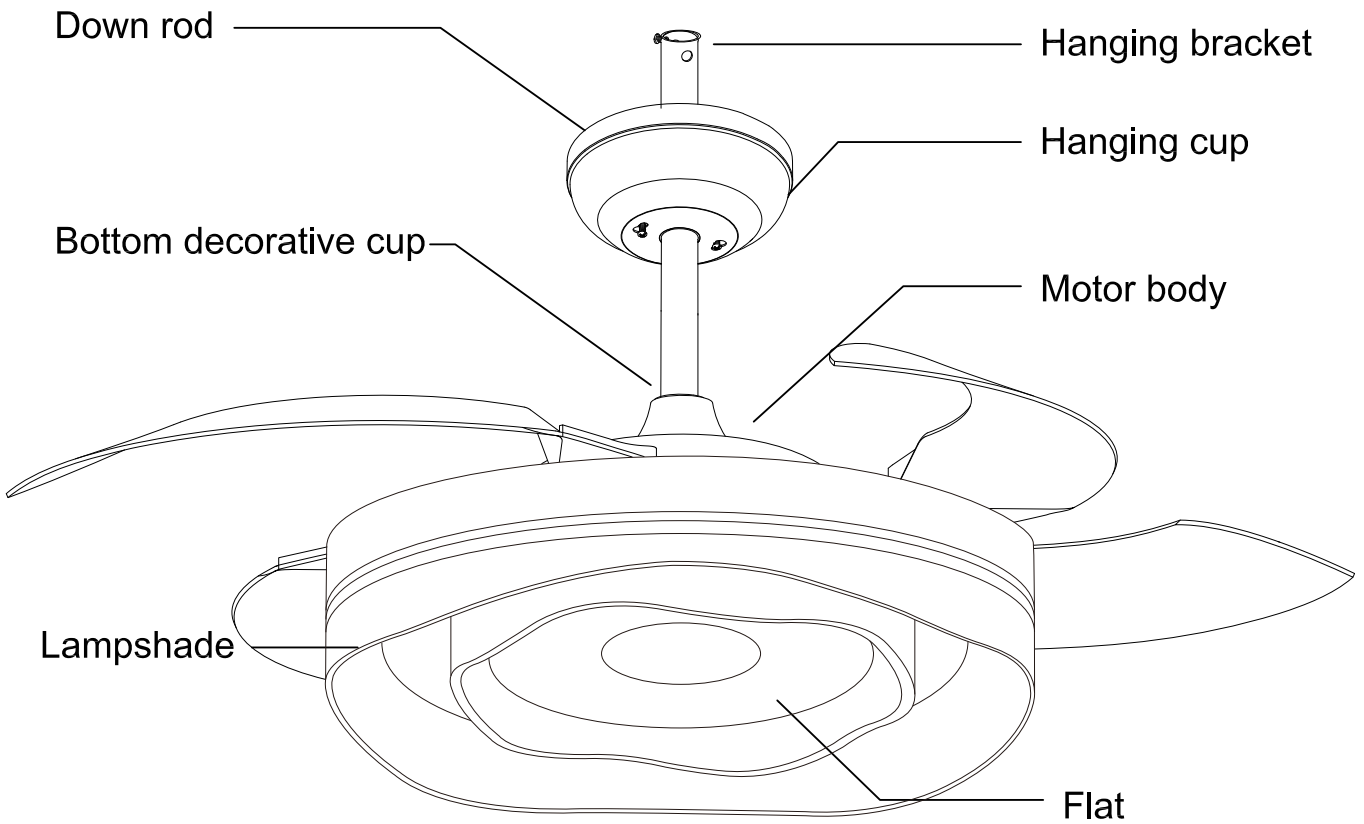
Replacements for missing or damaged parts will be shipped ASAP !


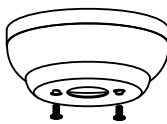
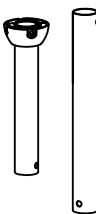



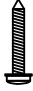
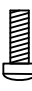


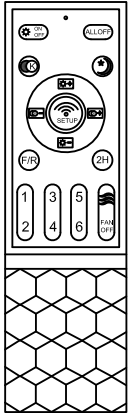



User Manual


SAFETY RULES

1. Always ensure power is completely disconnected before working. Simply turning off a light switch does not suffice—either remove the fuse or turn off the circuit breaker to avoid electrical hazards.
2. Installation should be handled solely by a professional and licensed electrician.
3. Ensure the mounting box and its supporting structure can reliably bear at least 50 pounds. Only use mounting boxes certified as UL (or CUL for Canadian installations) and labeled "FOR FAN SUPPORT".
4. Ensure a minimum gap of 7 feet from the tip of the fan blades to the ground.
5. If your fan has a reversing switch, do not change the direction while the blades are moving. Always halt the fan before making adjustments.
6. Never put any items or objects in the path of the rotating blades.
7. Exercise caution when maintaining or operating around the fan top to prevent personal injury or damage.
8. For cleaning purposes, refrain from using water or strong detergents. A simple dry or slightly damp soft cloth is adequate.
9. After connecting wires, ensure they are oriented upwards and securely placed inside the outlet box. Separate the grounded wire from the others.
10. Take note: provided electrical diagrams are general. Different fanlights might come with distinct shades and bulbs.
11. Strictly use the replacement parts provided by us. This device adheres to the class B digital device limits as per FCC Rules part.
12. This ensures minimal interference in residential setups. Incorrect installation may lead to unwanted radio communication disturbance.

INSTALL



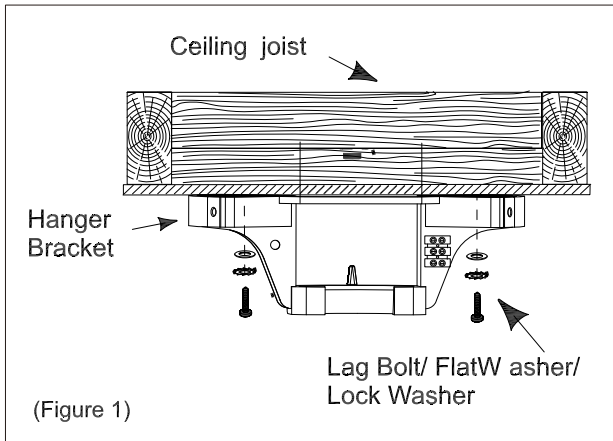
- 
 Hanging bracket *1
- 
 Hanging cup *1
- 
 Downrod :
 26*200mm*1
 26*125mm*1
- 
 Bottom decorative cup *1
- 
 Sleeve Anchors *2
- 
 Remote Holder Mounting Screws*2
- 
 Screws *4
- 
 Safety Screws *2
- 
 Wiring caps *4
- 
 spare parts for balance sticker *1
- 
 Remote Control*1
- 
 Anchors *2
- 
 Controller*1
- 
 AAA Batteries *2



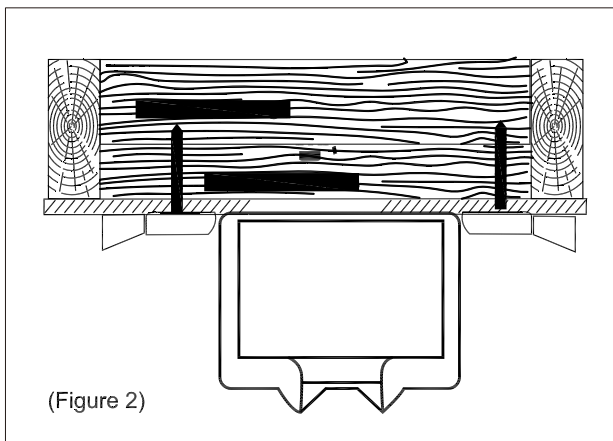
Please note we constantly strive to provide the best smart ceiling fans. Modification and upgrades may be made. The actual product may vary slightly from the illustrations or descriptions you see in this user manual. Please refer to the actual product as the standard.

INSTALL

MOUNTING BRACKET INSTALLATION



Concrete ceiling: drill two holes with an appropriate depth by a drilling bit with diameter at 8mm, then insert two pieces expansion screws in the holes, then the hanger bracket into the expansion screws with the wood screws and tighten it with the nuts of the expansion screws.



Wood Ceiling: fasten the mounting bracket to the wooden ceiling with 4 wood screws (at least 7 cm thick).



CAUTION:

Do not install the mounting bracket on roofs that have water leaks and moisture problems. The ceiling must be able to withstand a weight of 40kg or more to prevent the risk of the ceiling falling.

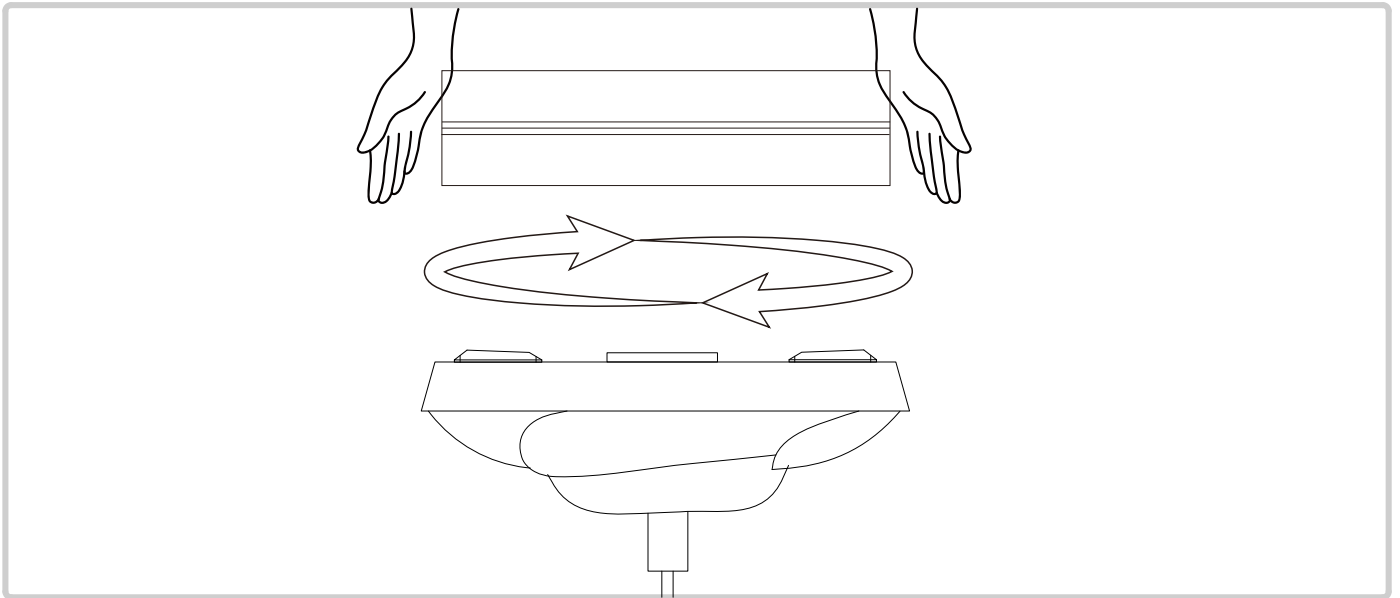


CAUTION:

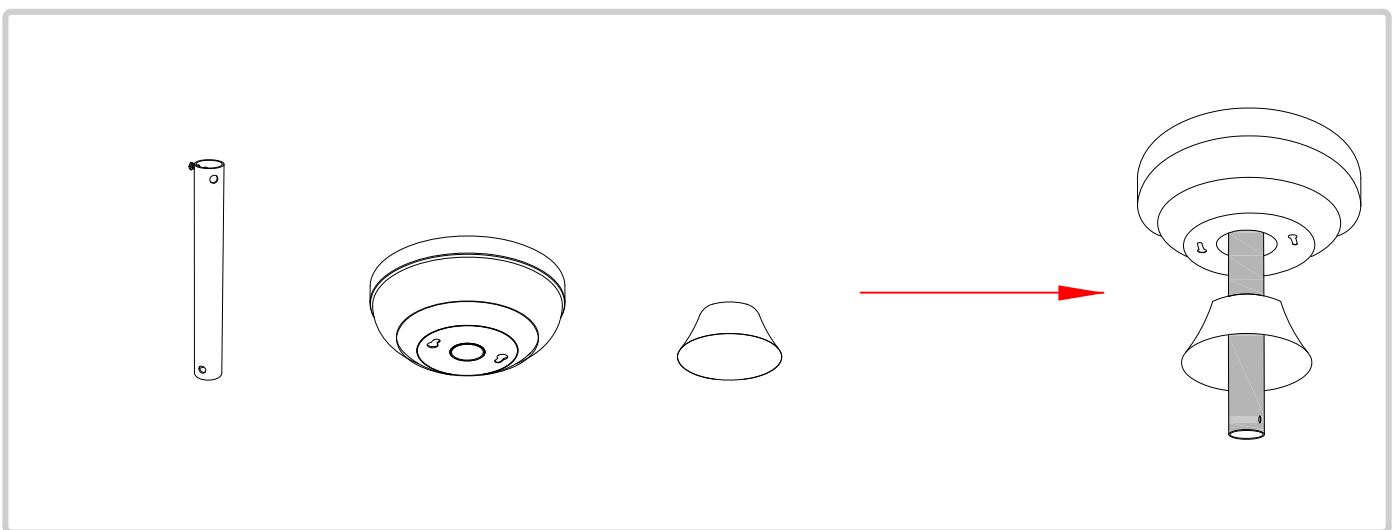
Do not install it on uneven ceilings, the ceiling mount hangers must be fixed firmly to ensure that they are not loose.

INSTALL

1. Align the lampshade with the main body of the motor and install it by rotating it clockwise.

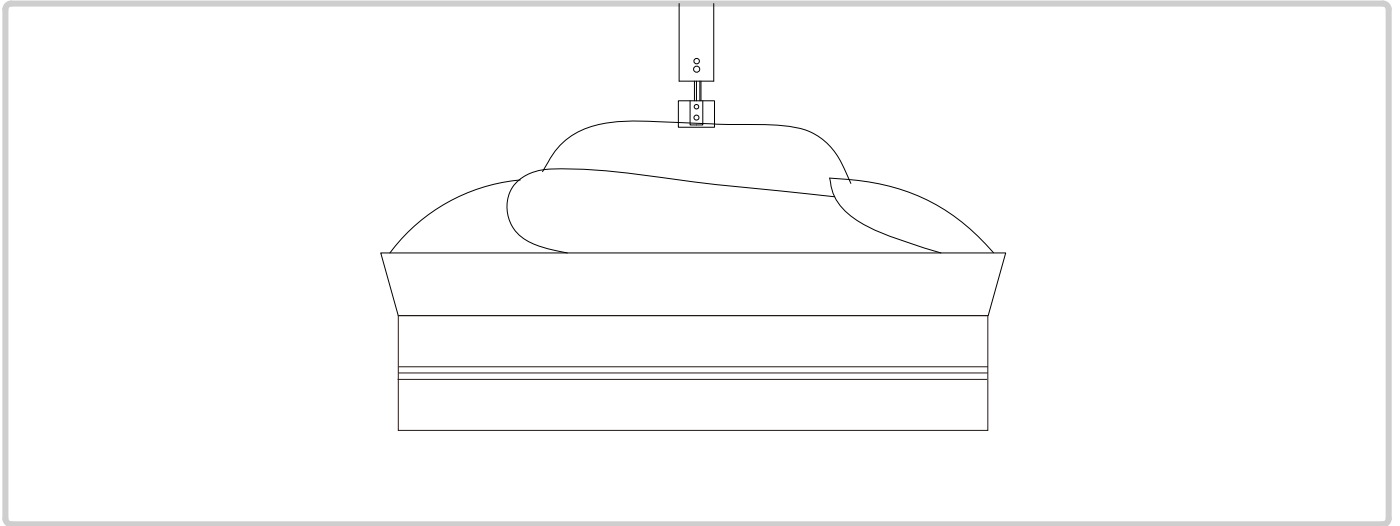


2. The middle pole passes through the bottom decorative cup and the top hanging cup.

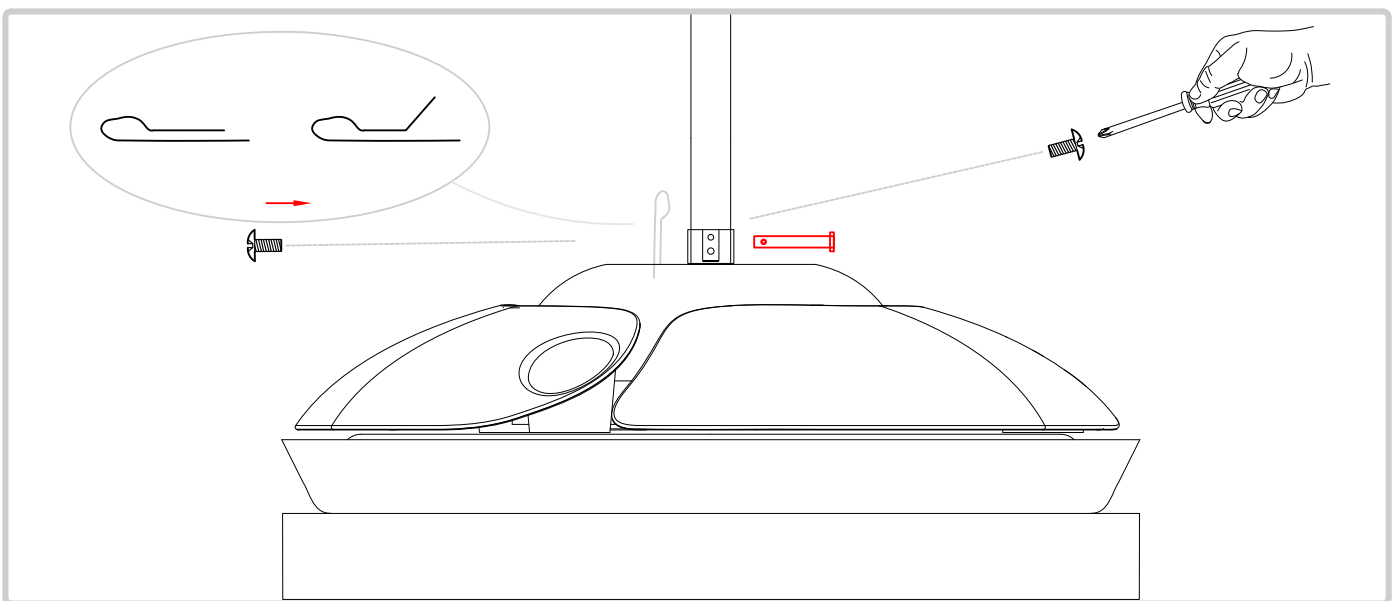


INSTALL

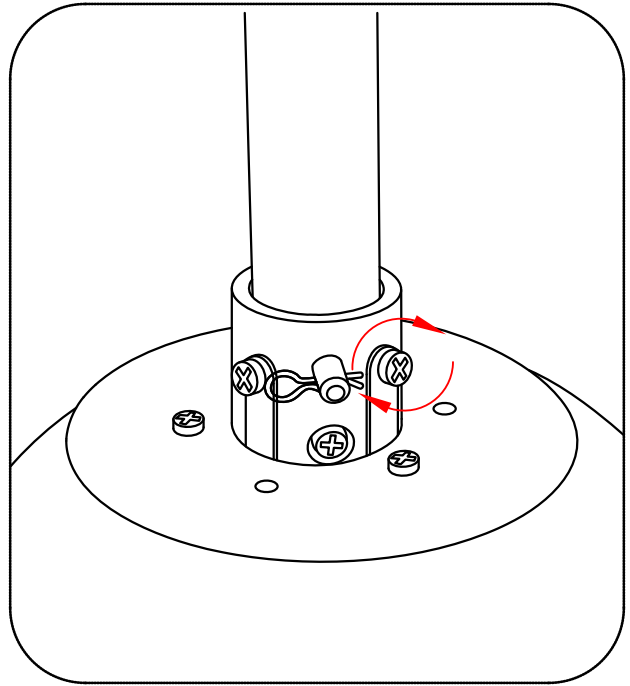
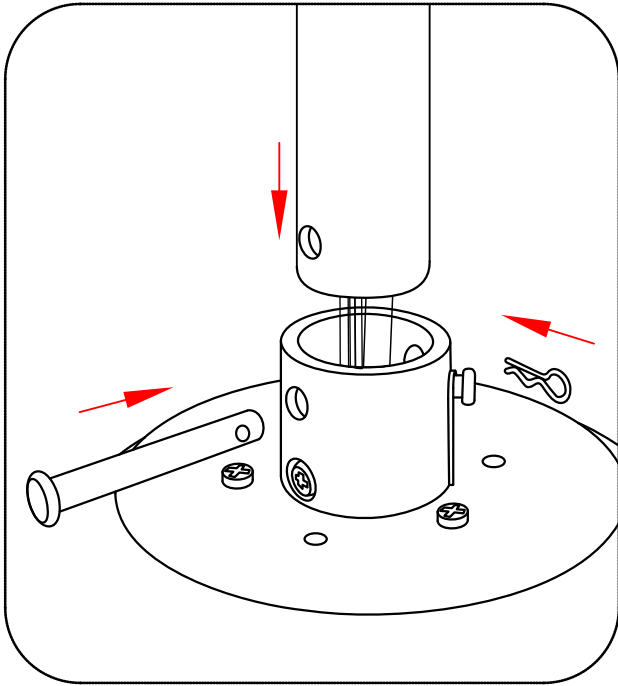
3. Guide the power cord through the down rod, entering from the bottom and emerging at the top.



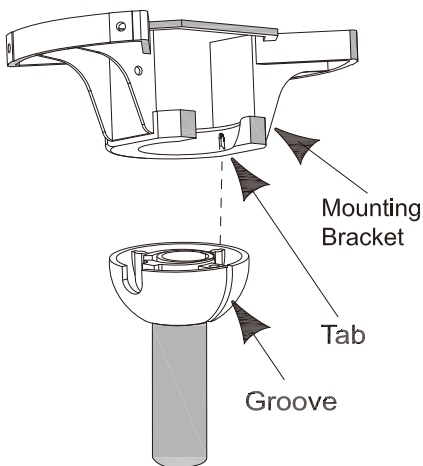
4. Slot the down rod into the motor interface. Next, insert the side pin and secure it with the R pin, as it was initially set (the state prior to initiating STEP 1). Firmly tighten the screws on either side to ensure the fan motor remains stable and doesn't wobble.



INSTALL



5. Position the hanging ball within the central hole of the hanging bracket. Rotate the boom until the ball's groove aligns and engages with the bracket's tab.



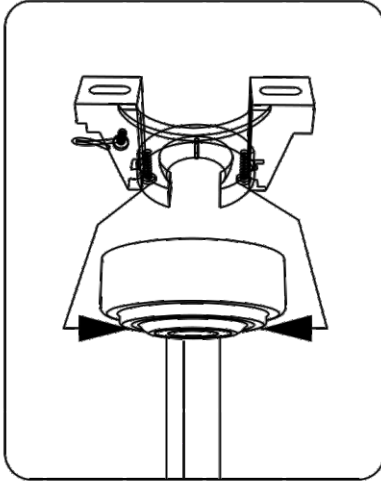
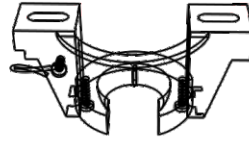
Carefully lift the fan and install the bar with the anchor in the mounting bracket already installed in the sky, that the groove of the anchor support is properly aligned with the mounting bracket tab.

It is essential that the pin and safety pin are properly installed in the holder of the and that the fixing screws are well tightened.

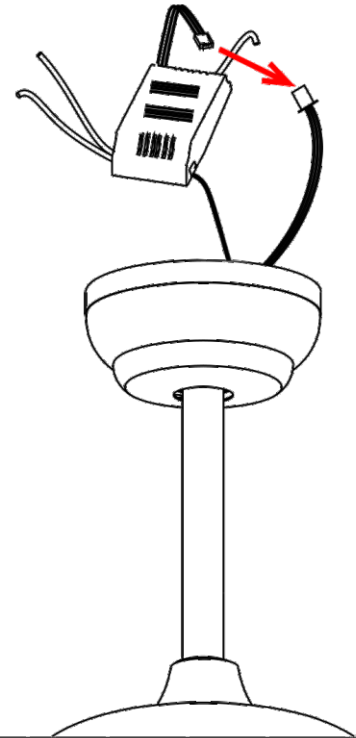
The fan must be installed maintaining a minimum height of 2.30m. From the Bottom of the blades to the ground.

INSTALL

6.Wiring.

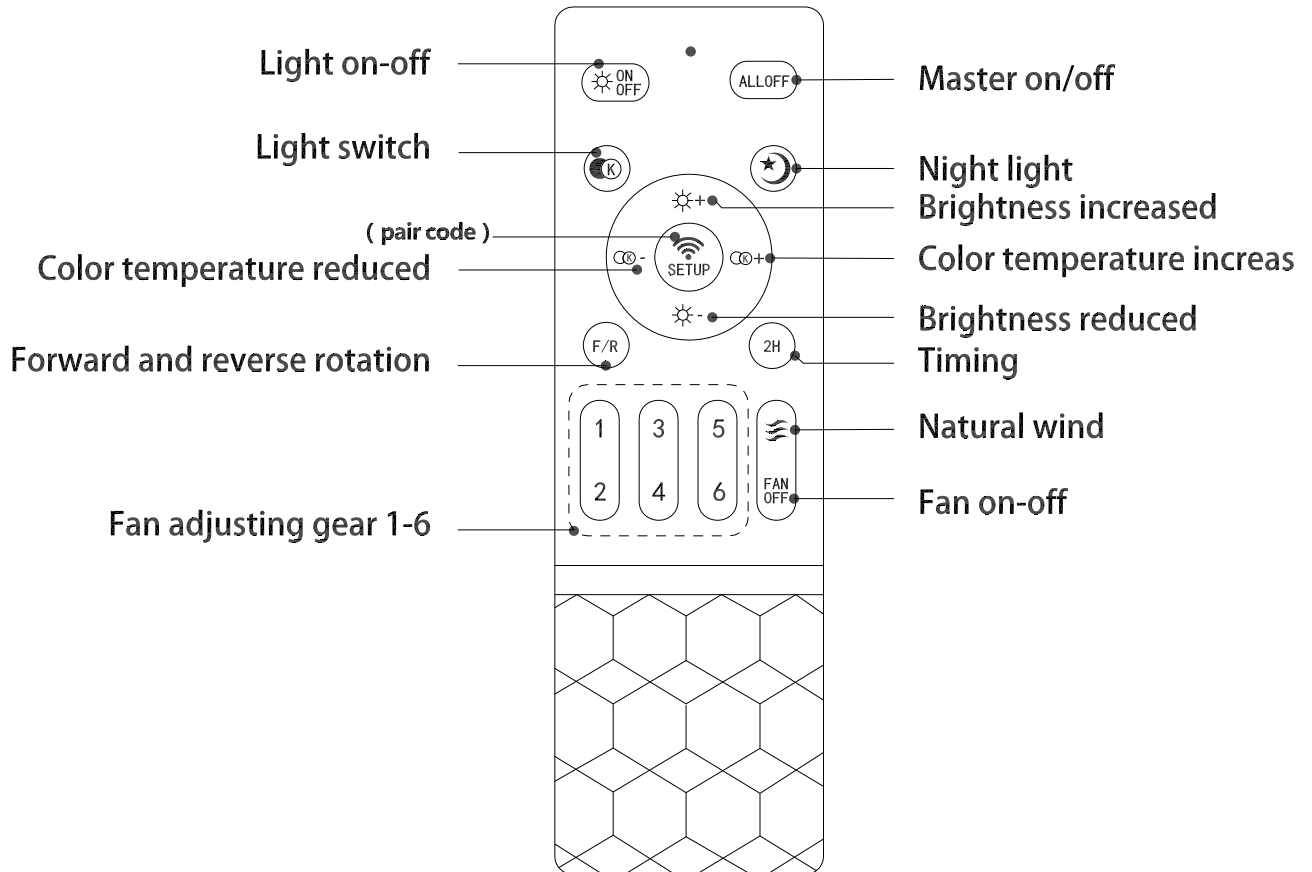


Please connect the wiring on the fan light to correspond with the wiring on the controller, and place the controller inside the top hanging cup to connect to the ground wire in your home. (If you do not have a grounding wire at home, you do not need to connect it).



REMOTE CONTROL

Dimmable Remote



Work of ingenuity!

- 1.Six Wind Speeds: Tailor your room's airflow to your exact preference, from a gentle breeze to a strong gust.
- 2.Night Light: Provides a calming ambiance with its soft glow, perfect for peaceful evenings.
- 3.Two-Hour Timer: Allows you to set the fan to turn off automatically, ensuring peace of mind.
- 4.Natural Wind: Replicates the gentle and unpredictable patterns of an outdoor breeze.
- 5.Forward Rotation (Summer): The airflow goes from up to down, ensuring rapid cooling.
- 6.Reverse Rotation (Winter): Directs airflow from down to up, promoting indoor air circulation.

? **Facing trouble when you are install ceiling fan light?**

√ If you encounter any issues during installation, consider scanning the QR code provided in this manual and closely follow the assembly steps outlined.

? **Is this ceiling fan able to be installed on a wooden ceiling?**

√ This ceiling fan can be mounted on both concrete and wooden ceilings. For optimal installation results, securing it with a junction box is recommended.

? **I can't install the ceiling fan anyway!**

√ If you're unable to complete the installation, please reach out to the support email and contact number printed on the manual's cover. We're always here and eager to offer impeccable after-sales service.

? **Why my ceiling fan swings?**

√ Please review each step of the fan installation process and ensure all screws are tightened properly. It's especially important to verify that the screws connecting the fan to the ceiling are secure.

? **I'm missing a part**

√ If any parts are missing, please contact us immediately. We sincerely apologize for any inconvenience caused. Rest assured, we are committed to providing prompt replacement services for our customers.

? **The color is not satisfactory?**

√ If you find this color not quite satisfactory, please let us know by logging into Amazon or by contacting us via email or phone. We value feedback from every customer.

THANK YOU FOR USING!

WARM REMINDER

1. Due to the natural movement of the fan, some connections may become loose. Check the support connections, brackets, and blade attachments twice a year. Make sure they are secure.
2. Clean your fan regularly to maintain its new appearance for years to come. Do not use water when cleaning, as this could damage the motor or wood, or possibly cause an electric shock.
3. Use only a soft brush or lint-free cloth to avoid scratching the finish. The finishing is sealed with a lacquer coating to minimize discoloration or tarnishing.
4. There is no need to oil your fan. The motor has permanently lubricated bearings.