



LEFROY BROOKS

1 8 2 8 T R O U T M A N S T R E E T
R I D G E W O O D N E W Y O R K N Y 1 1 3 8 5 U S A
T: +1(718) 302 5292 F: +1(718) 302 4177

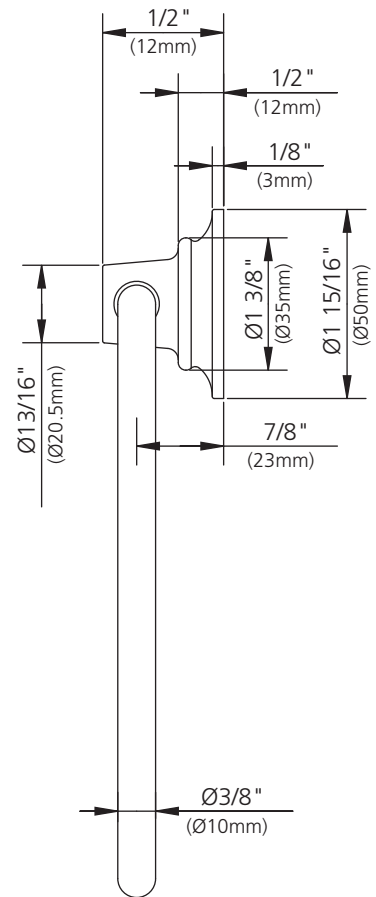
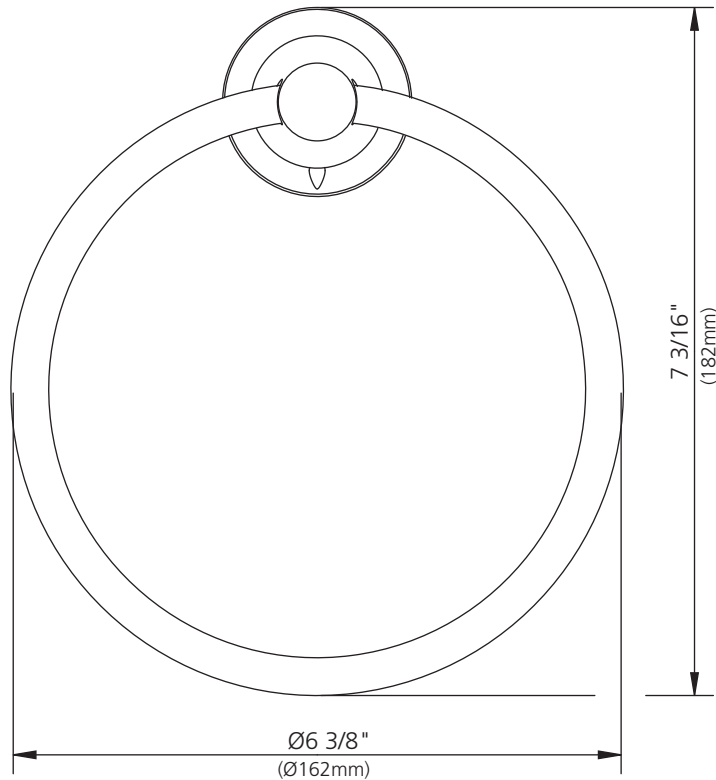
M2-5099

FLEETWOOD 6" TOWEL RING

DIMENSIONAL DATA SHEET

DATE: 16 March 2011

No: BM251200



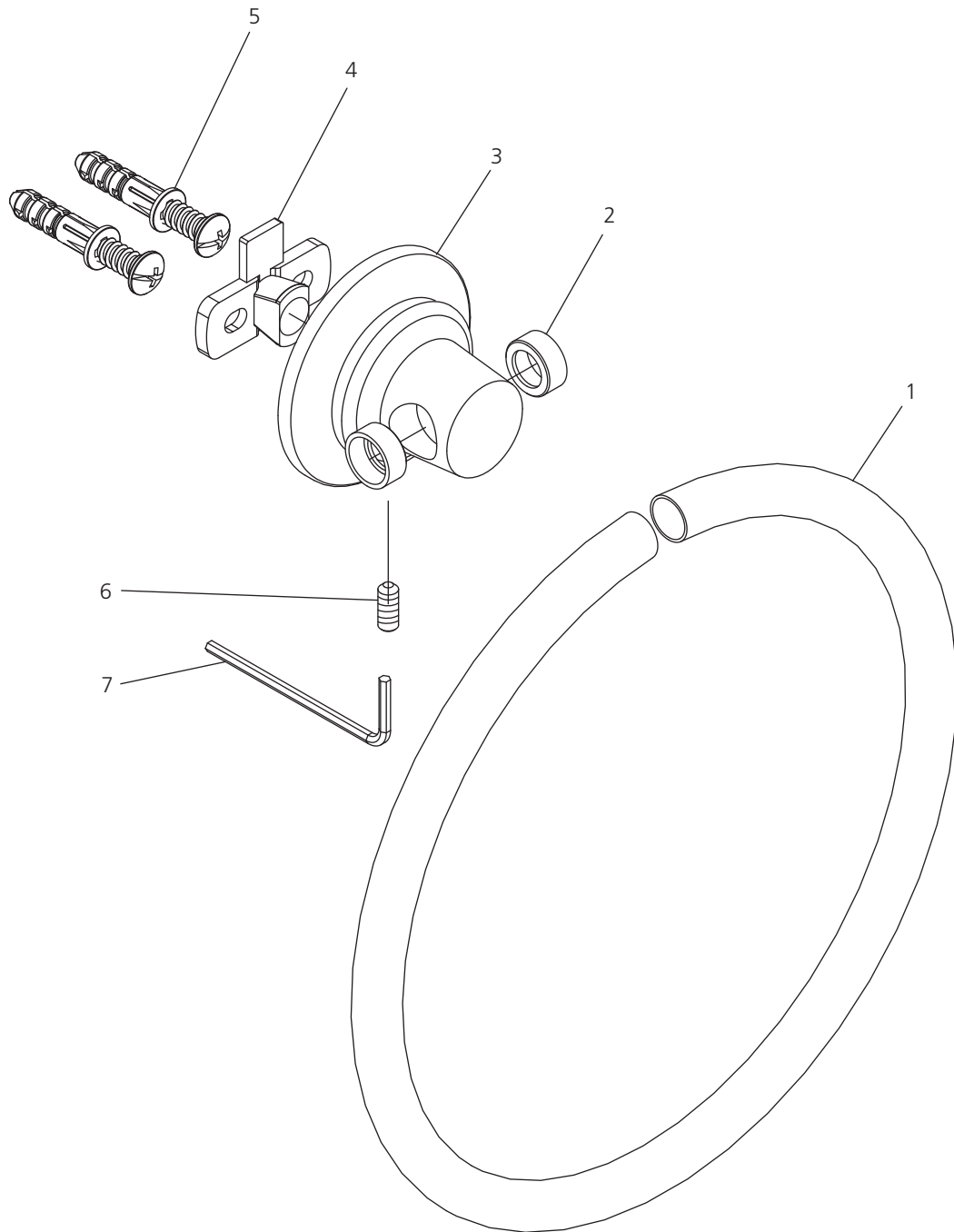
©COPYRIGHT 2009. CHRISTO LEFROY BROOKS. ALL RIGHTS RESERVED.

DIMENSIONS IN INCHES & MILLIMETRES

WHILST EVERY EFFORT IS MADE TO ENSURE THE ACCURACY OF THESE DATA SHEETS THEY ARE SUBJECT TO CHANGE WITHOUT NOTICE AS PART OF THE COMPANY'S PRODUCT DEVELOPMENT PROCESS

M2-5099

FLEETWOOD 6" TOWEL RING



- 1 Towel ring (252015)
- 2 Plastic plug (255870)
- 3 Bracket (245026)
- 4 Mounting bracket (293014-3)
- 5 Anchor bolt and screw (290411)
- 6 Set Screw (292547)
- 7 Allen key (031003)