

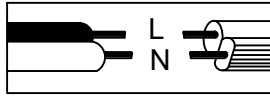
# INSTRUCTIONS

## 3. Finish lamp installations according to below instructions

### WIRE CONNECTION DIAGRAM

Wires meet safety standards are recommended to connect the supply circuit.

#### CAUTION:FIRE RISK

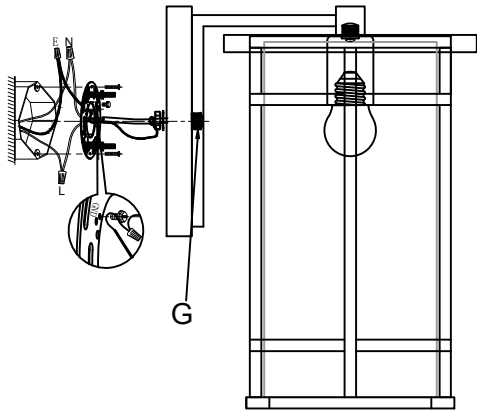


### CANOPY INSTALLATION INSTRUCTIONS

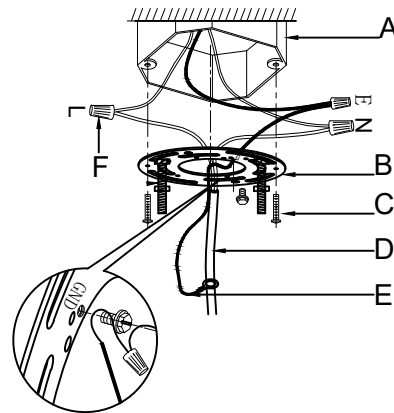
Please read all instructions carefully before you proceed to install, make sure that the power supply is turned off and remains off until installation is completed. Please note that each part is marked with letter as below .Please proceed in an alphabetical order.

- |                            |                     |                      |                      |
|----------------------------|---------------------|----------------------|----------------------|
| A. Original electrical box | B. Circular bracket | C. Bracket Screw     | D. Lamp body         |
| power cord                 | E. Ground wire      | F. Terminal cap      |                      |
| G. Fixed screw             | H. Nut              | L. Live wire (black) | N. Zero line (white) |

1. Disconnect the main power supply
2. Use two screws(C) to fix the bracket(B) to the existing electrical box(A).
3. Connect power line of the lamp body(D) and power line in the original electrical box(A) , live wire to black wire(L), zero wire to white wire(N), ground wire to ground wire, and tighten with terminal caps(F) respectively.
4. Put the wires into the back plate of the lamp.
5. Connect the lamp body with the fixed screws(G) on the original bracket(B) and tighten with round nut(H) to fix the lamp body on the original electrical box.



2



# RELATED TO INSTALLATION

## i. GENERAL

- 1.To ensure the success of the installation, be sure to read these instructions carefully before beginning.
  - 2.Before installations, prepare the required tools, such as Blade screw driver, Adjustable wrench, Step ladder, Wire cutter.
  - 3,All electrical connections must be in accordance with the National Electrical Code. Qualified licensed electricians are required to conduct the installation of electrical wiring.
  - 4.The outlet box that is connected to the lighting must be directly supported by the building structure.
  - 5.Before starting the installation, disconnect the power to prevent electrical shock.
- NOTE:The important safeguards and installations appearing in this manual are not meant to cover all possible conditions and situations that may occur. It must be understood that common sense, caution, and care are factors which can not be built into any product. There factors must be applied by the person(s) caring for and operating the fixture.

## ii.CAUTION

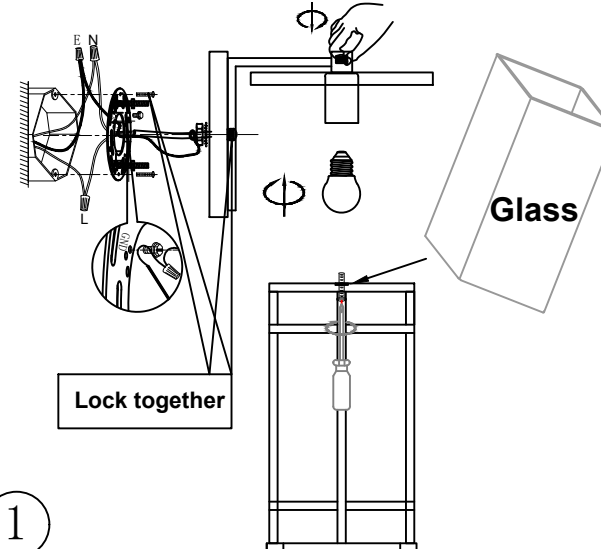
- 1.Rated 120V/60HZ,bulb 60W maximum.
- 2.Care should be taken to avoid damage to the surface of lighting and wire, wearing gloves are remmended when installing.
- 3.Keep lighting away from acid, alkali and other corrosive chemical or gas,clean the lighting with clean soft cloth only.
- 4.Installation must be carried out by qualified electrician only.
- 5.Disconnect the power before installing, cleaning and replacing lighting.
- 6.Never cover the lighting when power is connected.

## INSTRUCTIONS

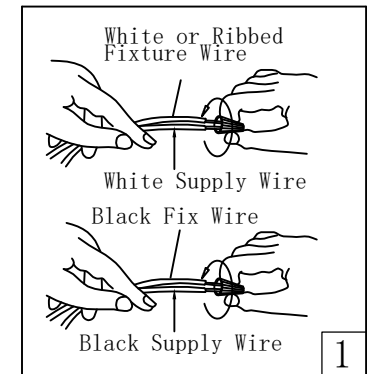
1.Take out all lamp parts. The picture below shows the exact items that you receive in this product. Please note that this picture may look different from the computer generate part table. The parts in the part table are not assembled but some parts in this part picture are assembled, so there may be fewer items in the picture than in the table.

### 2. Part Table

Please note: The parts in this table are completely unassembled, for illustrative purpose. In the actual product that you receive, some parts are assembled and attached together.



1



1