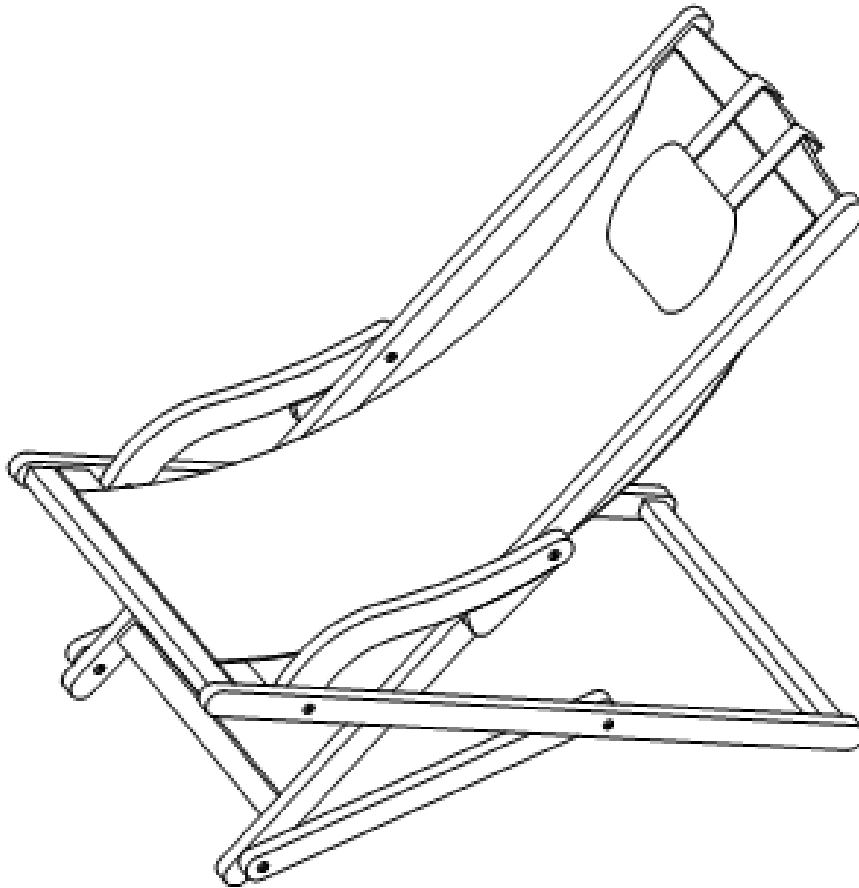


# Operating Instructions

**Caution : You must read this before you proceed**

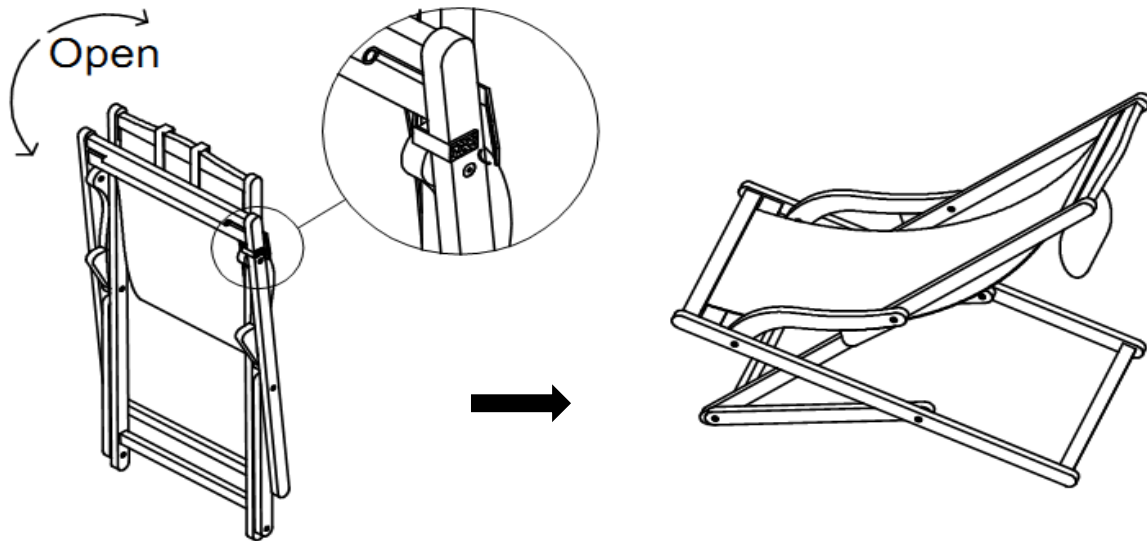
## **CHAIR**



**CAUTION :** This Chair is NOT a TOY.  
Keep your child / children at bay when opening or folding the Chair.

## Operating Instructions

### Step 1

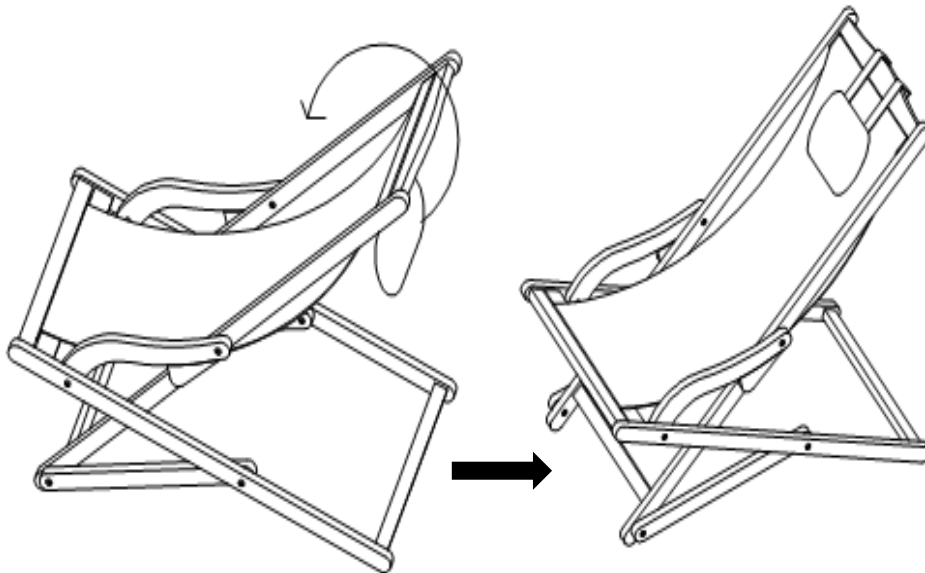


Position the Chair as pictured.

**To open**, open Velcro tape as shown above.

Then unfold Frame as indicated by the arrows, by hand, until the Chair fully folds out

### Step 2

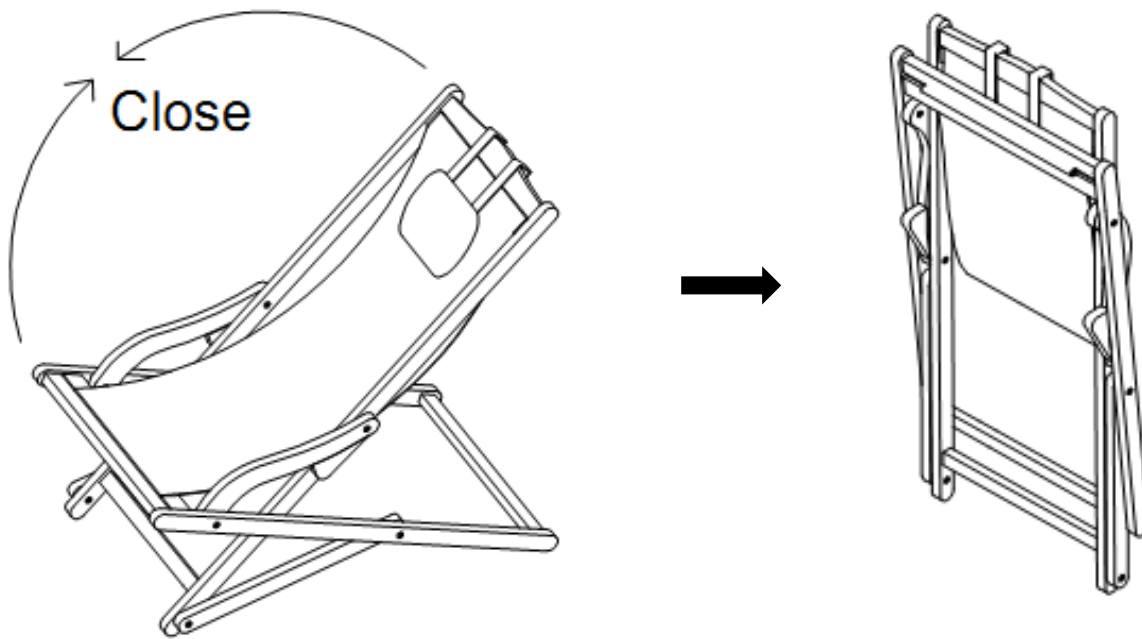


Turn back the pillow onto the canvas seat as above picture.

Your Chair is ready for use.

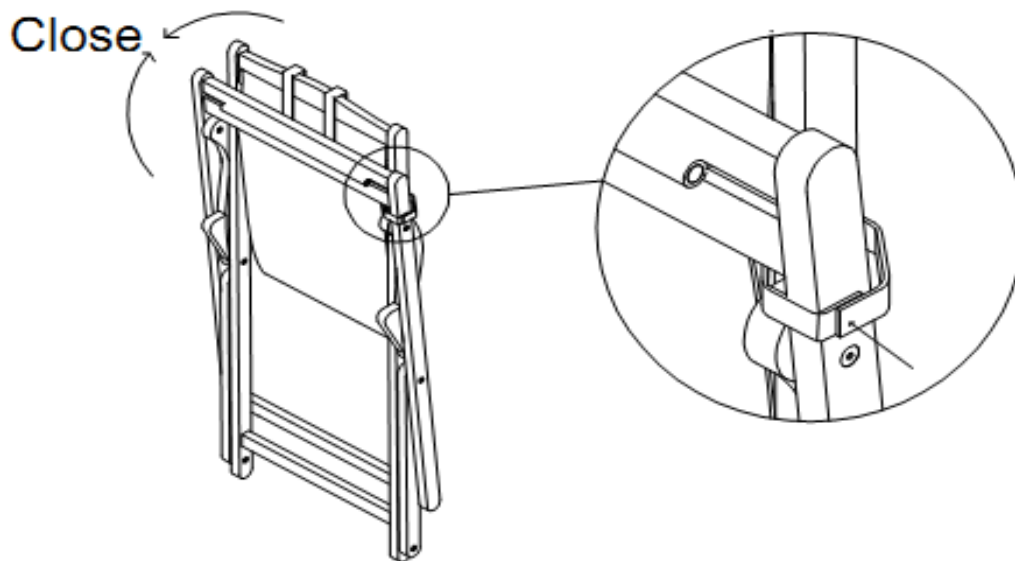
**This Chair can only be used on a flat, level surface.**

### Step 3











**To close**, fold Leg Frame as indicated by the arrows, by hand, until the Chair folds shut.

### Step 4



**Note:** There is a velcro straps beside Leg Frame, tie the velcro straps to Leg Panel as picture shown.

-  ● Do not put hot items directly on furniture surface
  -  ● Do not clean furniture with harsh cleansers or polish.
  -  ● To obtain the longest lifespan of your outdoor products, minimizing exposure to direct sunlight is recommended.
  -  ● Children should not climb or jump on the furniture.
  -  ● Do not write on furniture without a padded barrier to protect the surface.
  -  ● To obtain the longest lifespan of your outdoor products, avoid extended and lengthy exposure to rain, snow, and direct sunshine. Whenever possible cover the product and /or place under patio or
  -  ● Not for commercial use. For residential use only.
  -  ● Stains may be removed with mild soap solution and damp cloth.
- 

-  ● Dust and pick-up spills using a clean, non-colored, lint-free cloth .