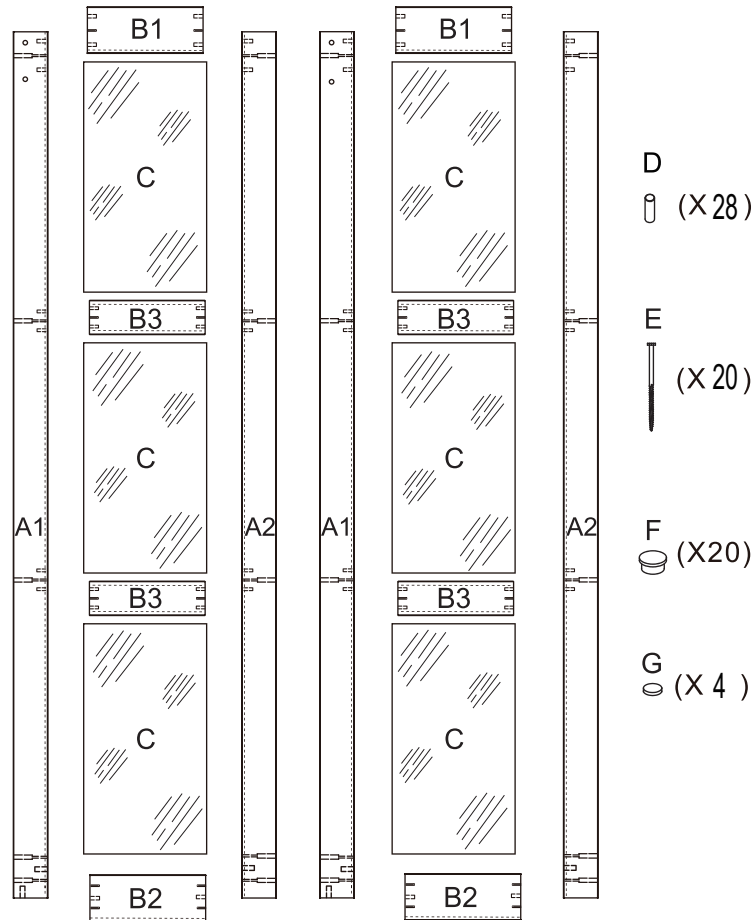


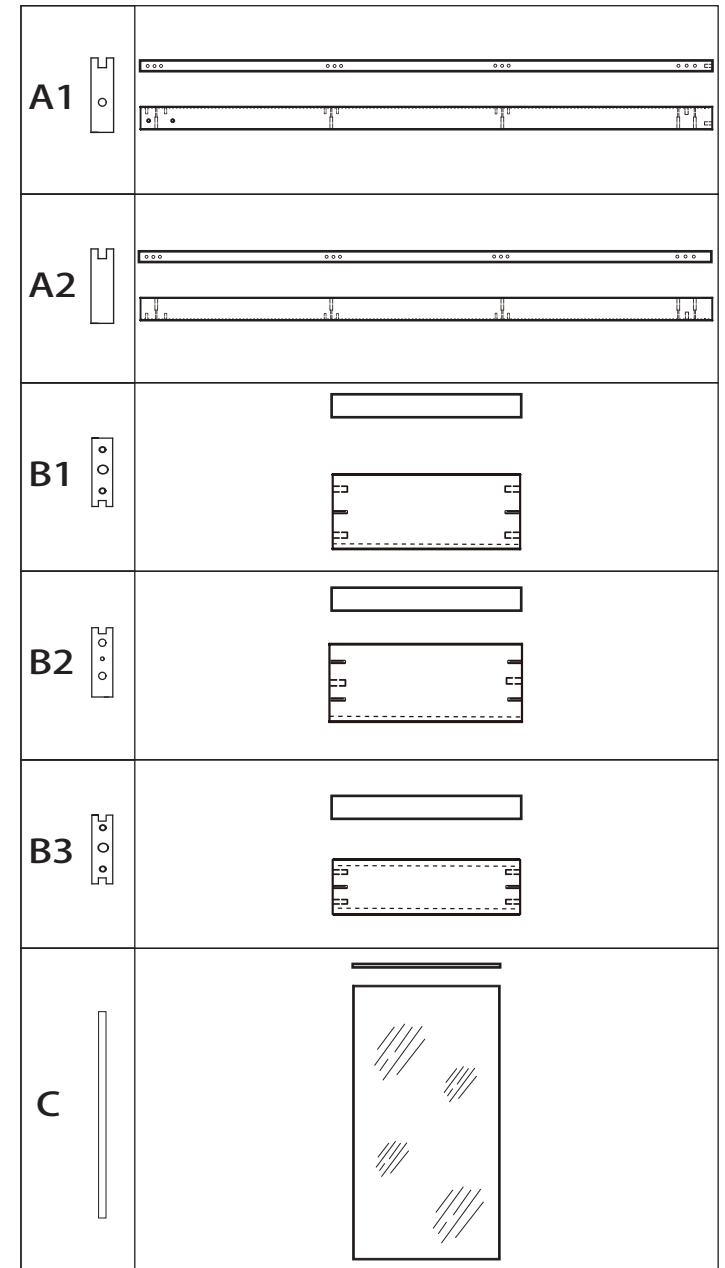
# Barn Door Installation Instruction

Any question please contact us  
[yoursupport@163.com](mailto:yoursupport@163.com)

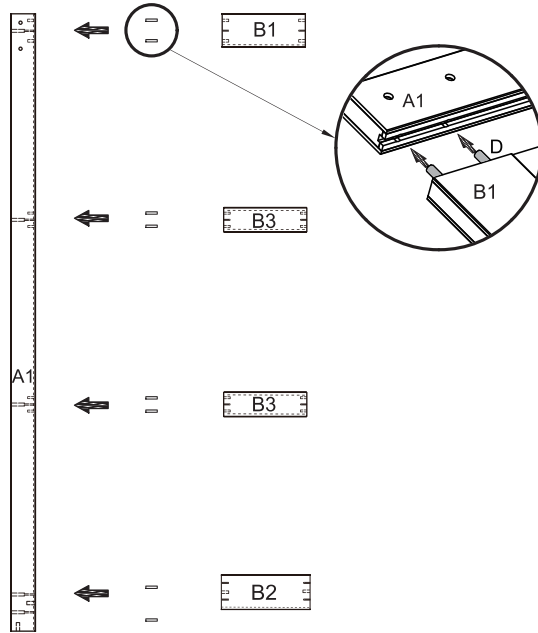
PARTS	QTY
A1 Left Side Stile	2
A2 Right Side Stile	2
B1 Top Rail	2
B2 Bottom Rail	2
B3 Middle Rail	4
C Middle Glass	6
D Corks	28
E Screws	20
F Plastic Plugs	20
G Door Bumpers	4



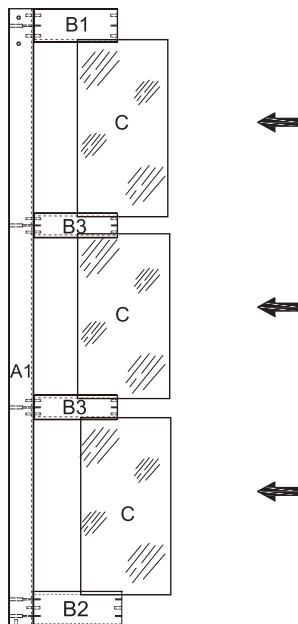
## Stile Side Views



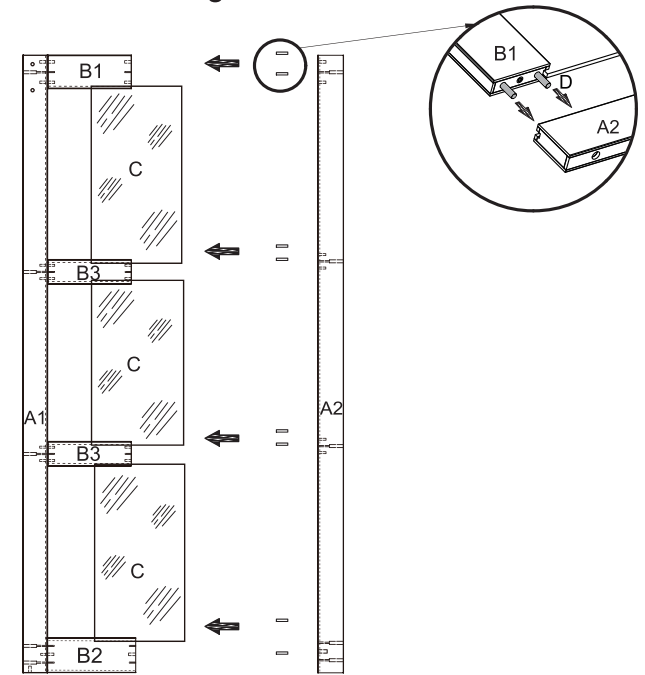
1. On the flat, lay out one side stile (A1) with the groove facing to the right. Assemble top rail (B1), middle rail (B3) and bottom rail (B2) to A1 with corks (D).



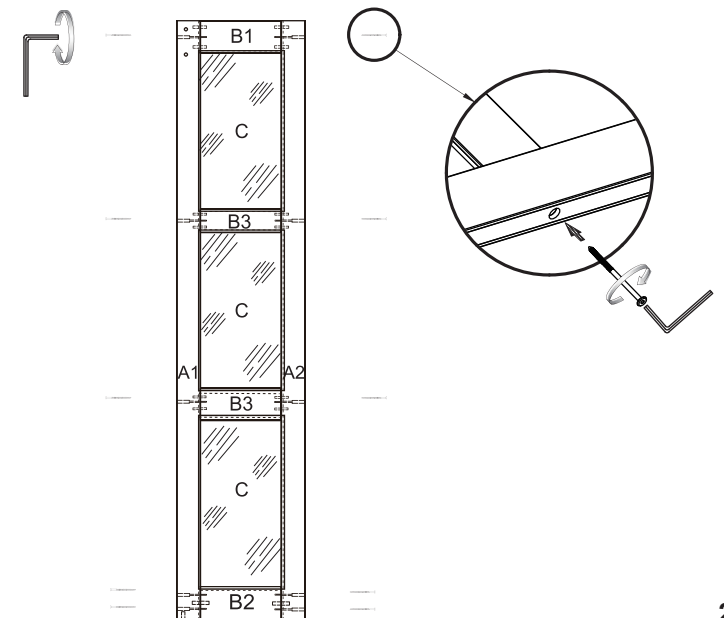
2. Assemble the middle glass (C).



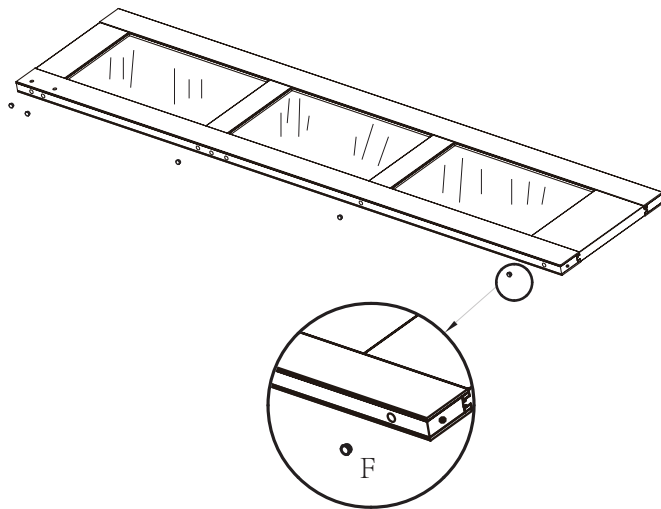
3. Assemble the right side stile (A2) with corks (D) to cover the top and bottom rail and the edge of the slats assembled.



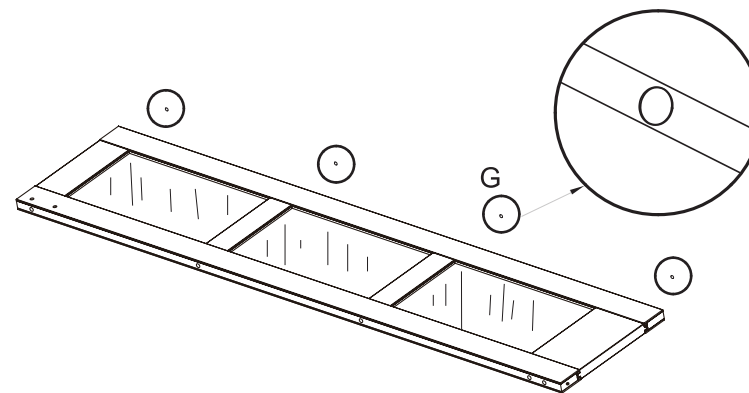
4. Lock screws (E) to side stile (A1 and A2).



**5.** Cover the plastic plugs (F).



**6.** Stick the door bumpers (option), which can prevent two doors from colliding.

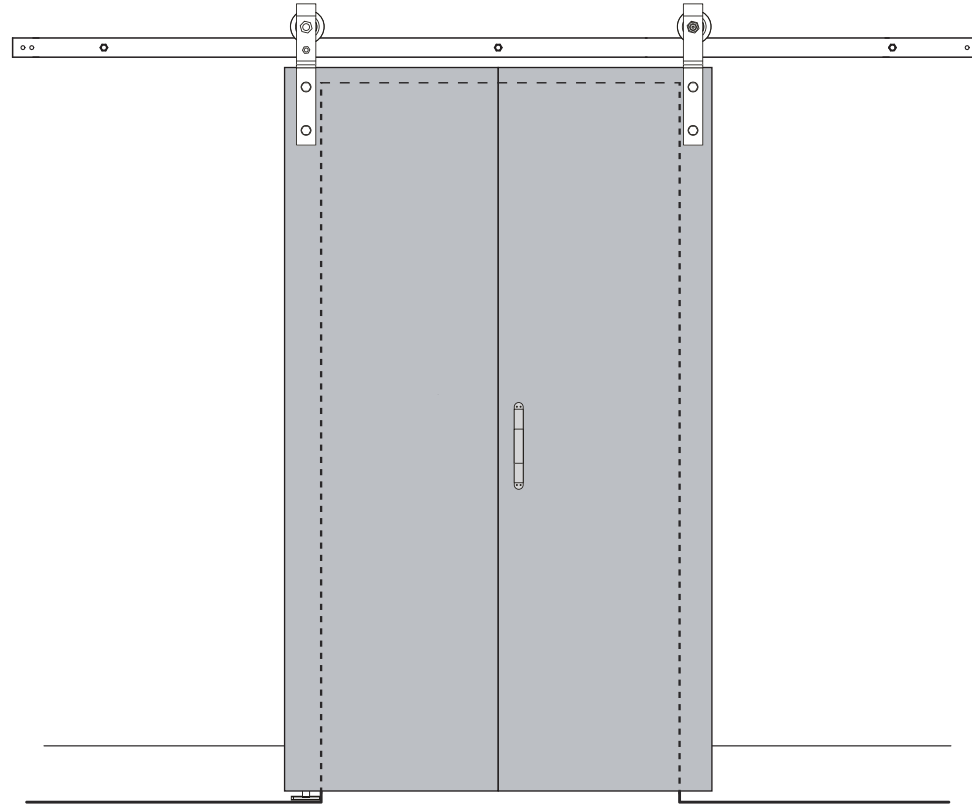


**Thanks for choosing our products, your satisfaction is our priority.  
Any question during assembly please feel free to contact us.**

**[yoursupport@163.com](mailto:yoursupport@163.com)**

# Hardware Installation Manual

Any question please contact us  
[yoursupport@163.com](mailto:yoursupport@163.com)

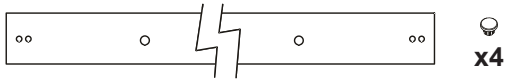


**NOTICE** Please retain these instructions for future reference.

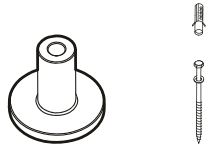
- Do not stand on or use any part of this item as a step ladder.
- Firmly secure all bolts, screws and knobs before use.
- Reconfirm that all bolts, screws and knobs are secure every 90 days.
- Fasten screws loosely during initial assembly. Do not firmly tighten the screws until the item is completely assembled.
- Do not use or store this item in the proximity of open flame or combustible chemicals.
- Be aware that some parts are heavy and have sharp edges.
- If any parts are missing, broken, damaged, or worn, please contact us for assistance.
- Do not use this item in a way inconsistent with the manufacturer's instructions as this could void the product warranty.

## Product Content

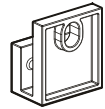
### A.1, Track



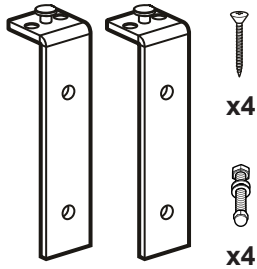
### A.2, Wall spacer



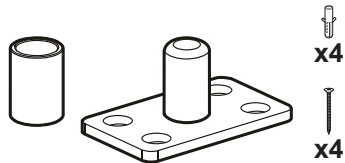
### D. Fixator



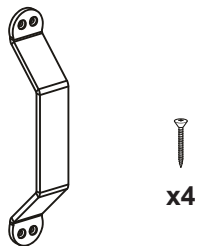
### E. Pulley base



### H. Floor guide



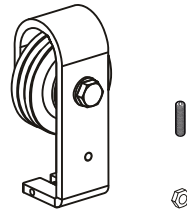
### J. Handle



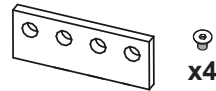
### B. Movable pulley and bolts



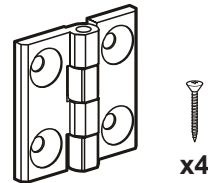
### C. Fixed pulley and bolts



### F. Track connector



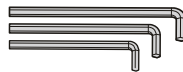
### G. Hinges



### I. Seal



### K.



## Tools Needed

### 1.Pencil



### 2.Wrench



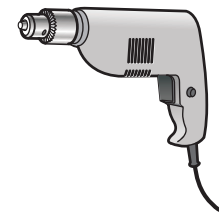
### 3.Phillips Screwdriver



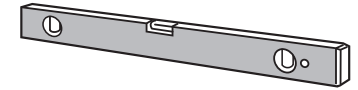
### 4.Plumb Bob



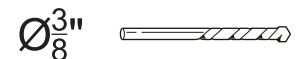
### 5.Drill



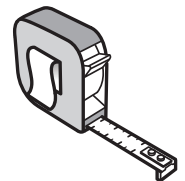
### 6.Level



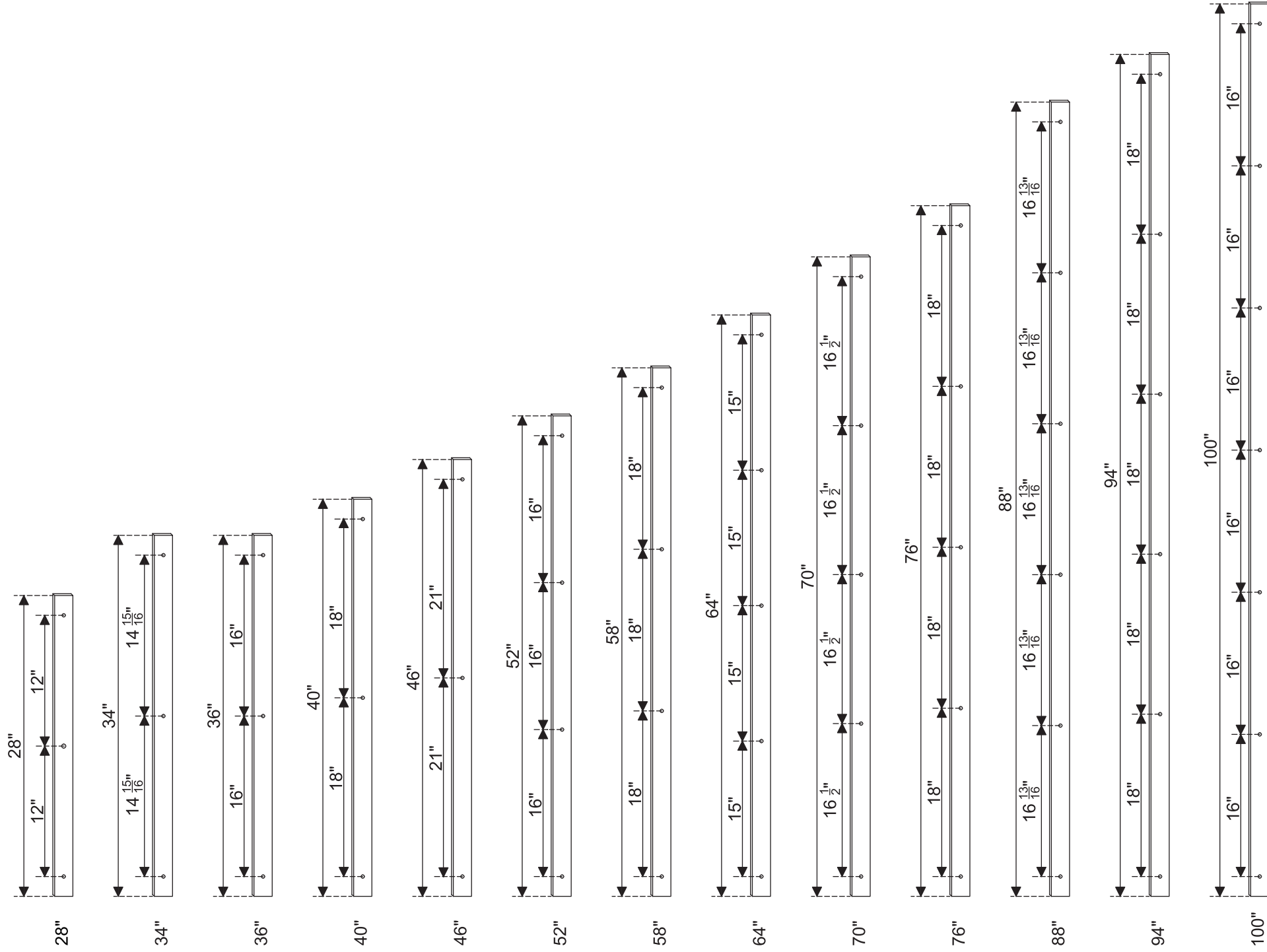
### 7.Drill Bit



### 8.Tape

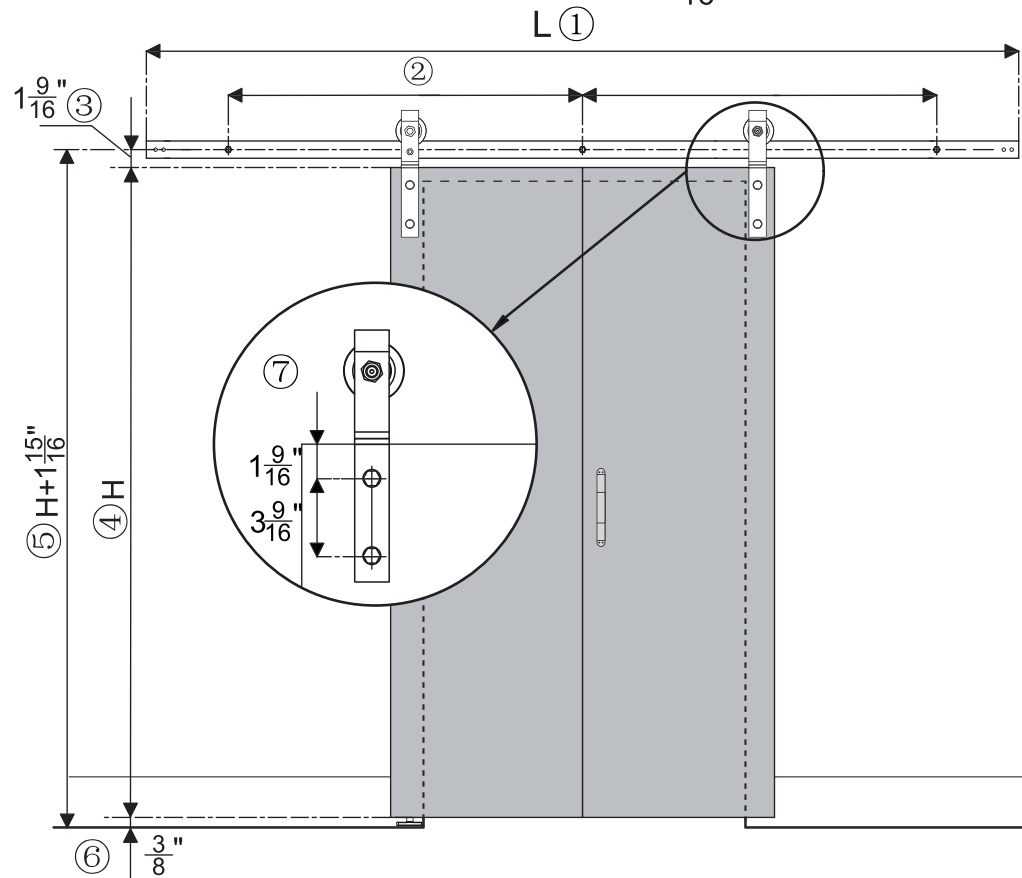


# Track measurements



# Measurements

- ① Length of rail L. Subject to the kit you purchased.
- ② The spacing between the pre-drilled holes differs from track length. Please refer to track measurements at page 3.
- ③ The distance from the top of the door panel to the vertical height of pre-drilled hole is  $1\frac{9}{16}$ ".
- ④ **Door height H.**
- ⑤ **The vertical height of the rail is the door height H +  $1\frac{15}{16}$ "**
- ⑥ The clearance between the vertical height of door panel and the floor is  $\frac{3}{8}$ ".
- ⑦ Drill two holes in the door panel for mounting the wheel. The distance from top of the door to the first hole is  $1\frac{9}{16}$ ". and the distance between the two holes is  $3\frac{9}{16}$ ".



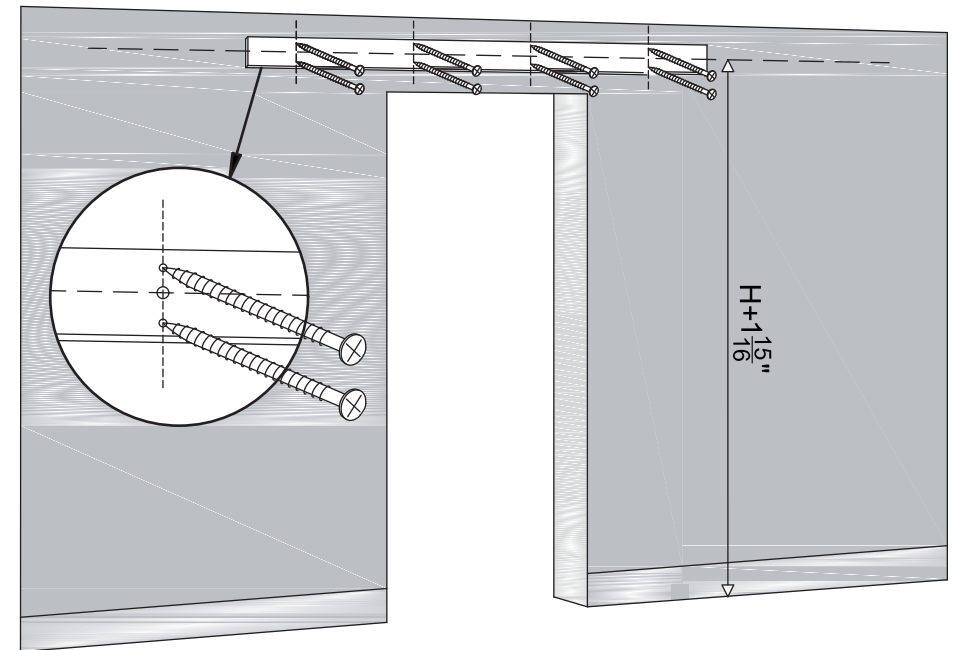
## Installation suggestions

Sometimes there will be some issues when install the track such as a mismatch between studs and pre-drilled holes on the track.

To avoid that we recommend using a head board on all installation scenario.

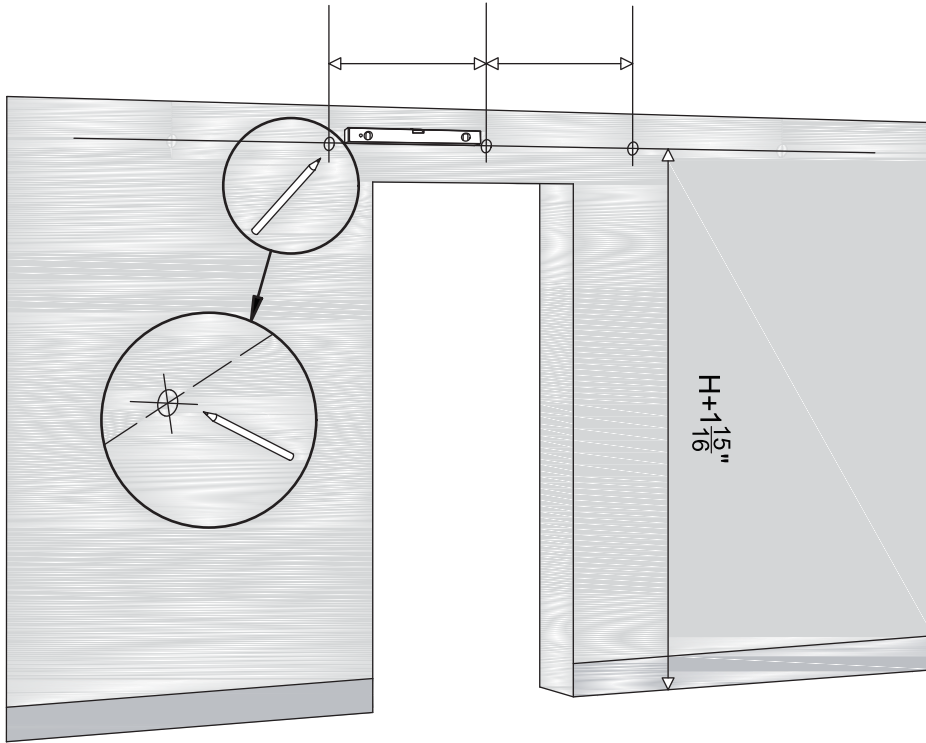
The size of the head board should better be 1"x4" or 1"x6" and a bit longer than the track.

**\*Please note that the head board and matched screws are not included.**



## Step-1

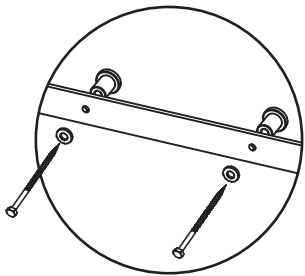
Place the track  $H+1\frac{15}{16}$ " above the floor and mark the position of the spacer holes. Please refer to the "track measurements" at page 2 for the measurements between two holes.



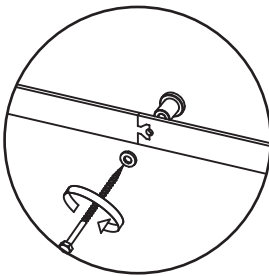
## Track installation types

There are three installation types for the track based on its length.

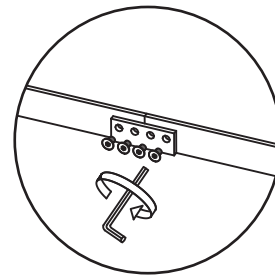
One-piece Track



Wedge embedded connection



Connector connection

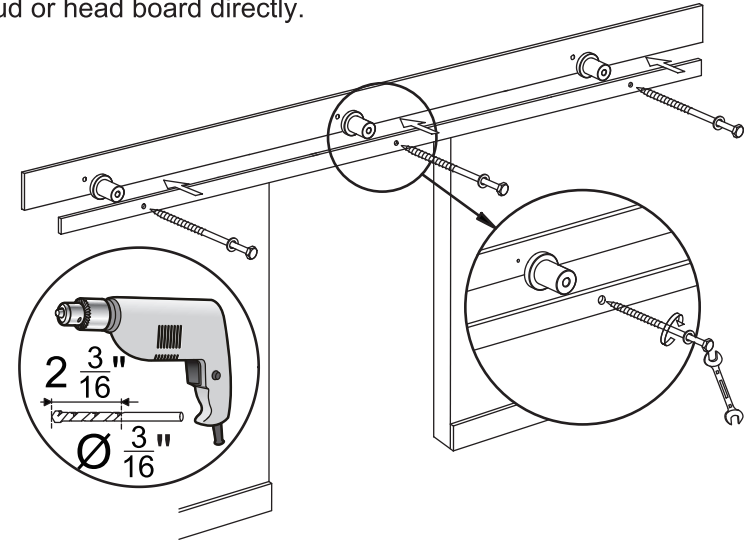


## Step-2

We provide 2 kinds of screws for you to install rail on concrete wall or drywall.

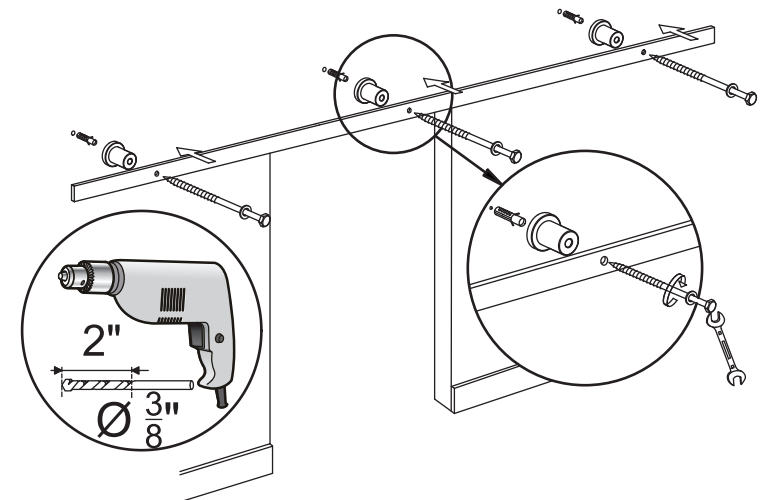
### ① Drywall Installation

Install the lag bolt to wood stud or head board directly.

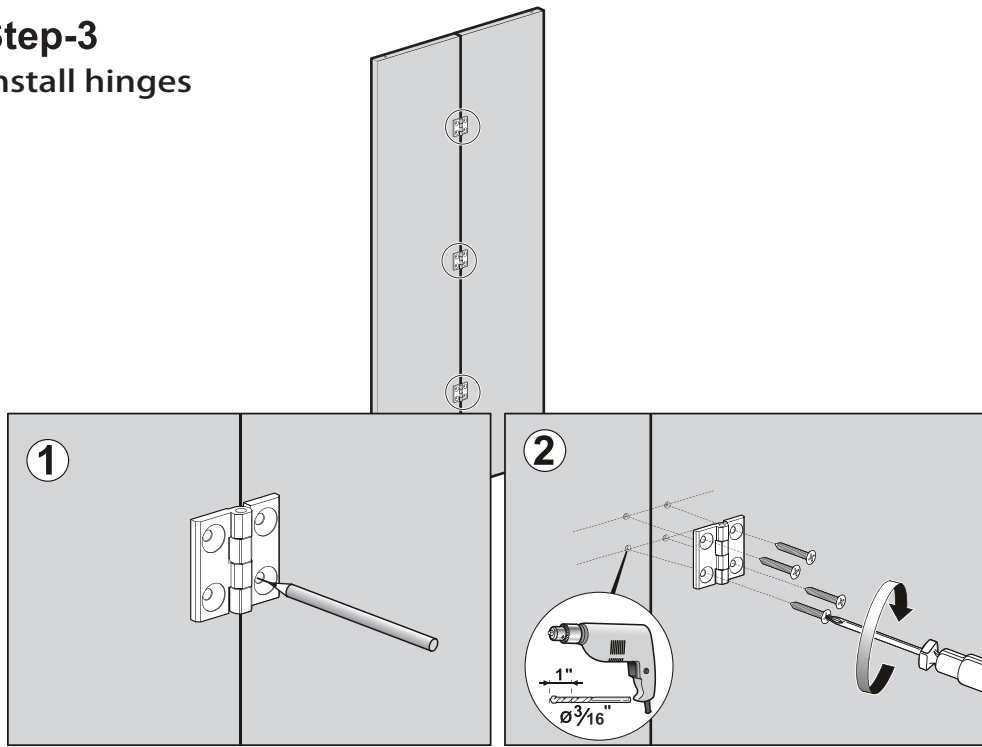


### ② Concrete wall Installation

Install the white plastic anchor to holes on the wall first, then install lag bolt to anchor.

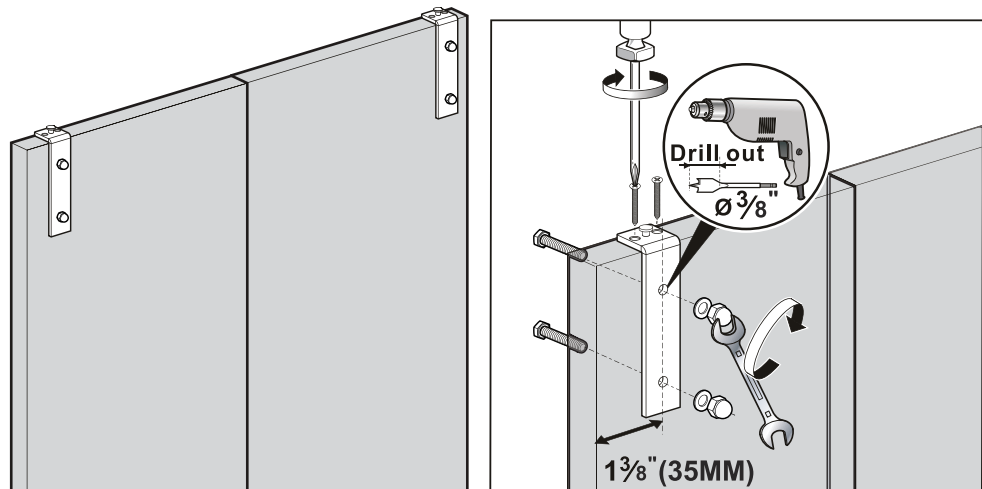


**Step-3**  
Install hinges



Bit diameter:  $\frac{3}{16}$ " (4.8MM)  
Borehole depth: 1" (25MM)

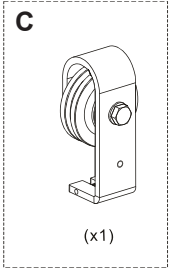
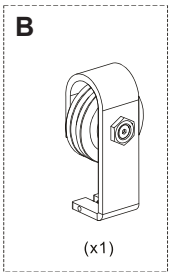
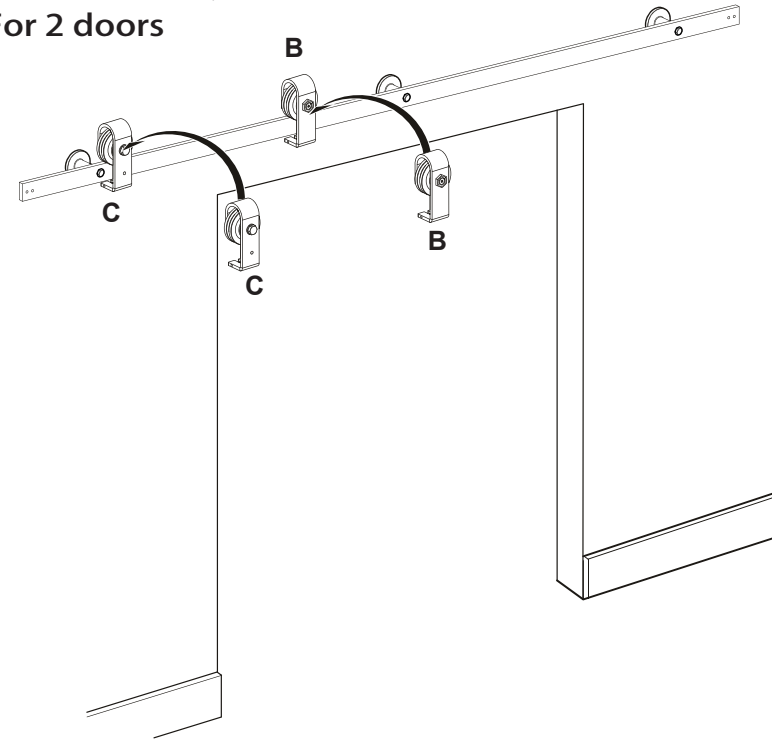
**Step-4**  
Install pulley base



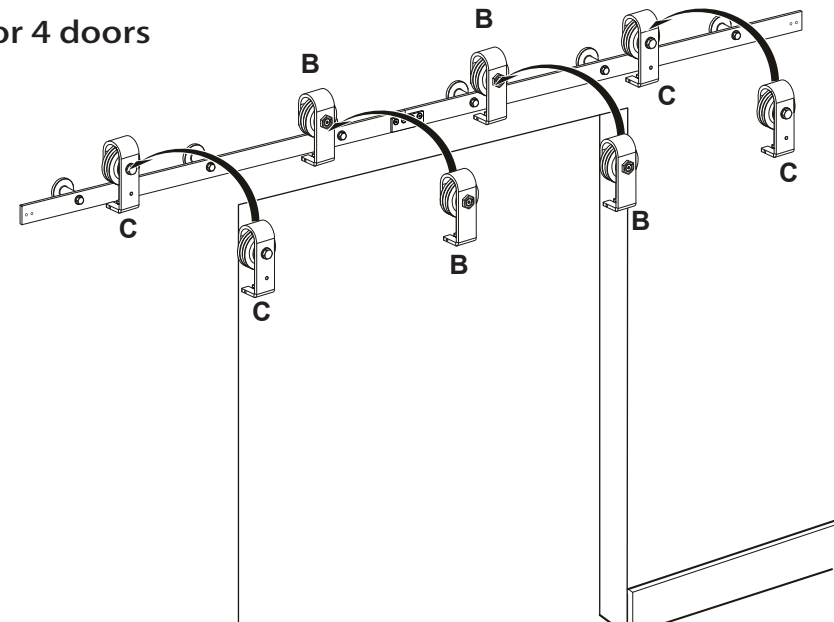
Bit diameter:  $\frac{3}{8}$ " (10MM)  
Borehole depth: Drill out

Distance of base center from the edge of door is  $1\frac{3}{8}$ " (35MM) .

**Step-5**  
Hang up pulley  
For 2 doors

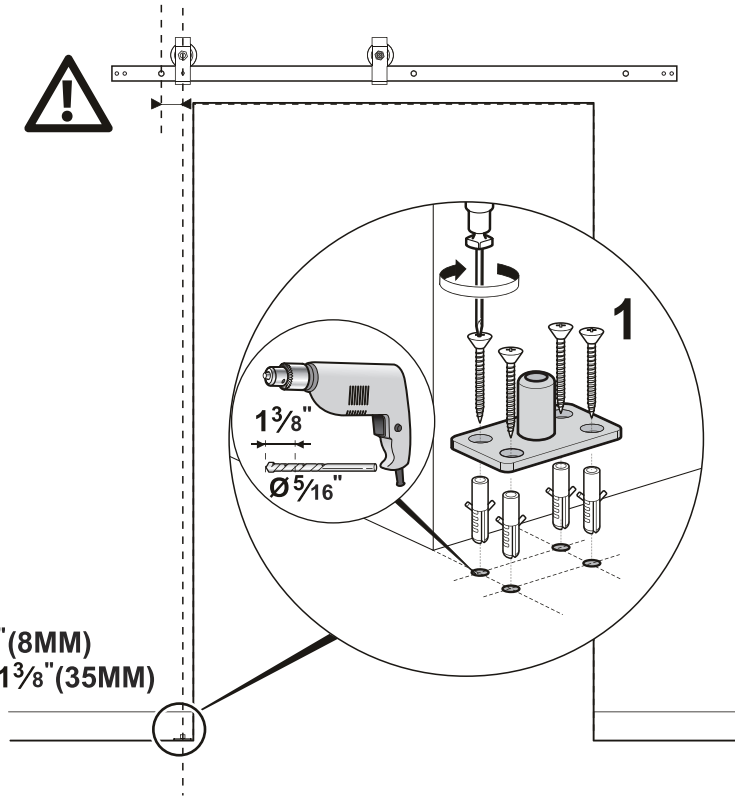


For 4 doors

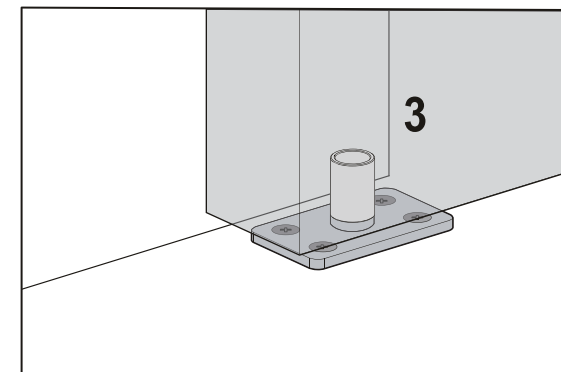
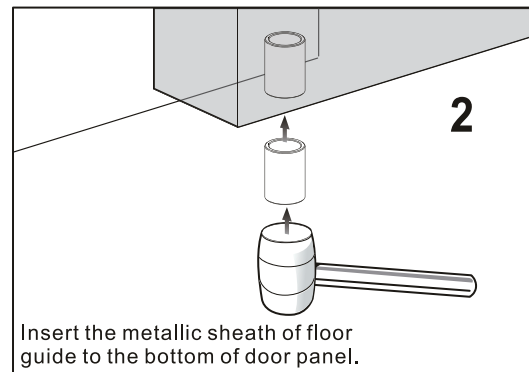
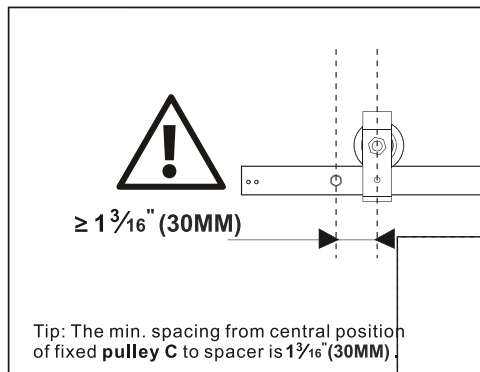
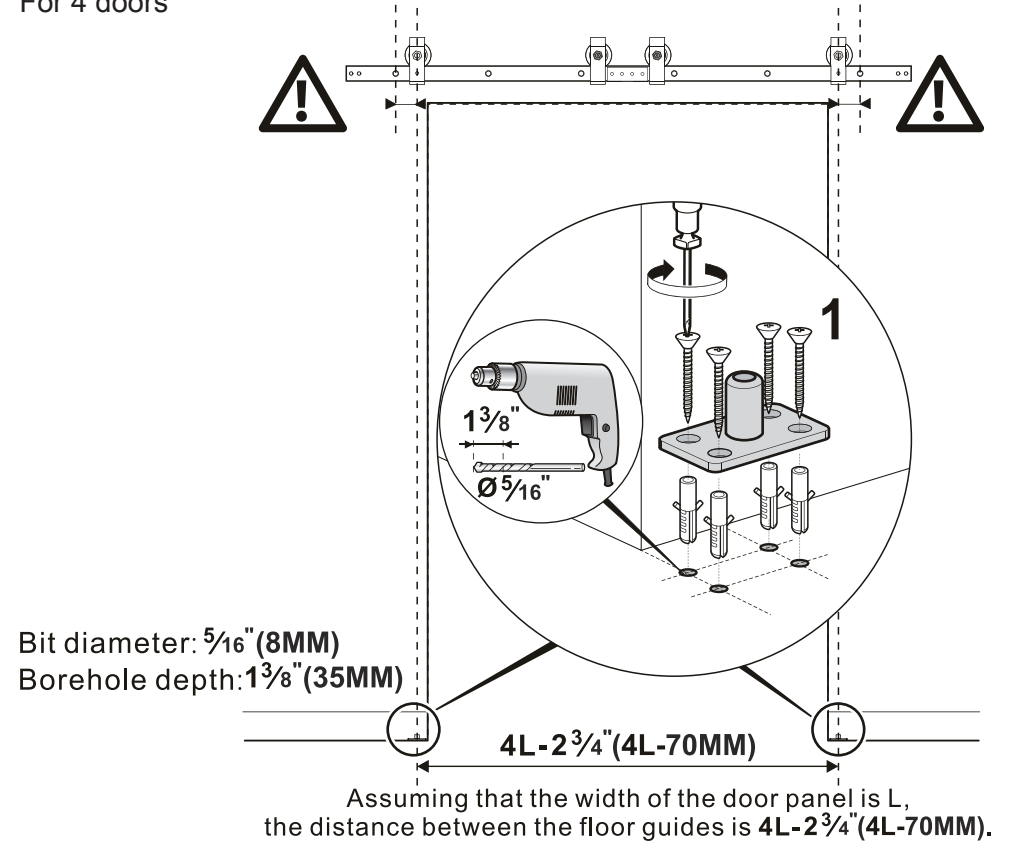


## Step-6

Install floor guide  
For 2 doors

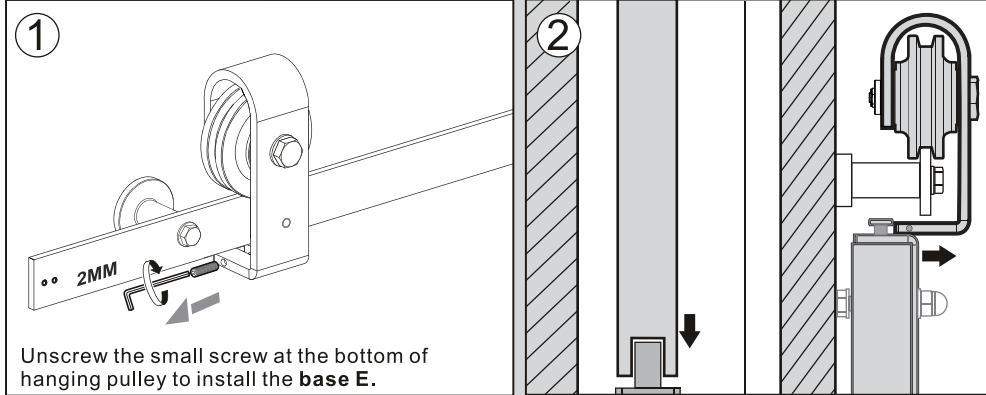
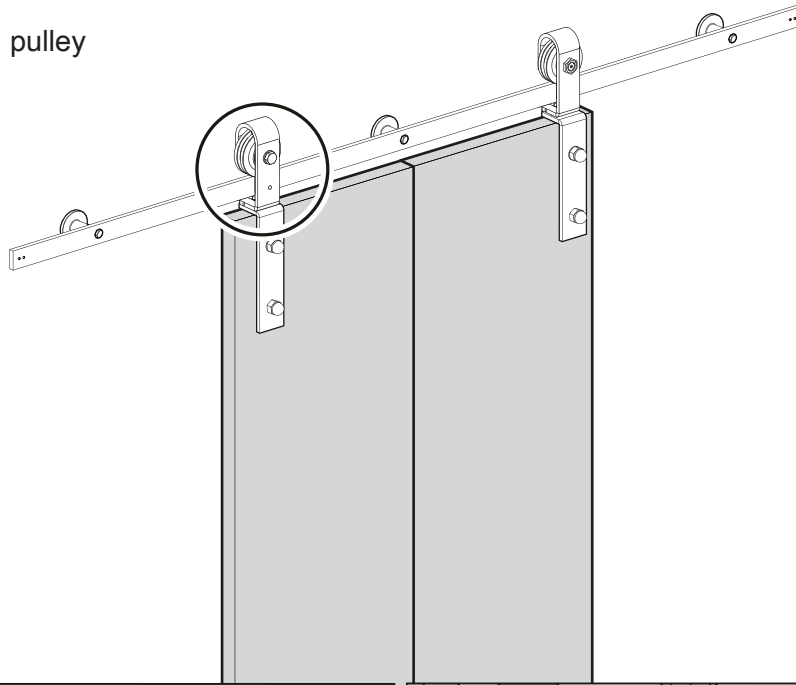


For 4 doors

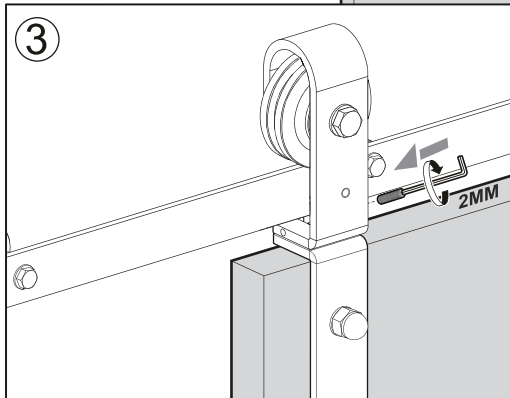


## Step-7

Install fixed pulley

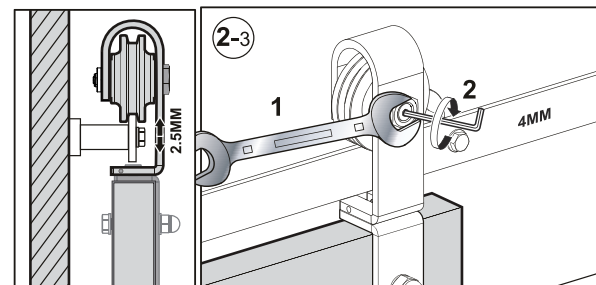
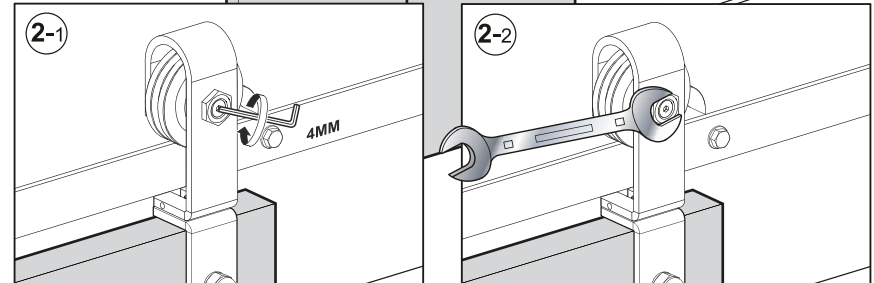
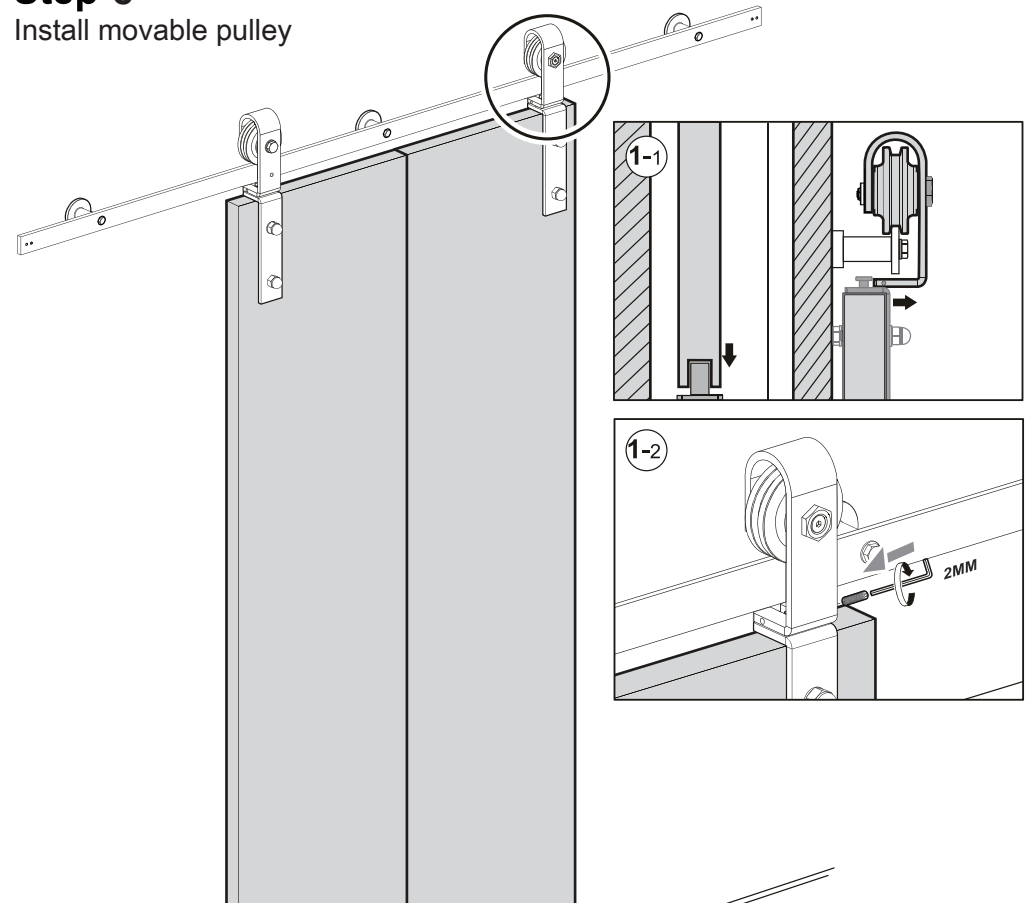


1  
Unscrew the small screw at the bottom of hanging pulley to install the **base E**.



## Step-8

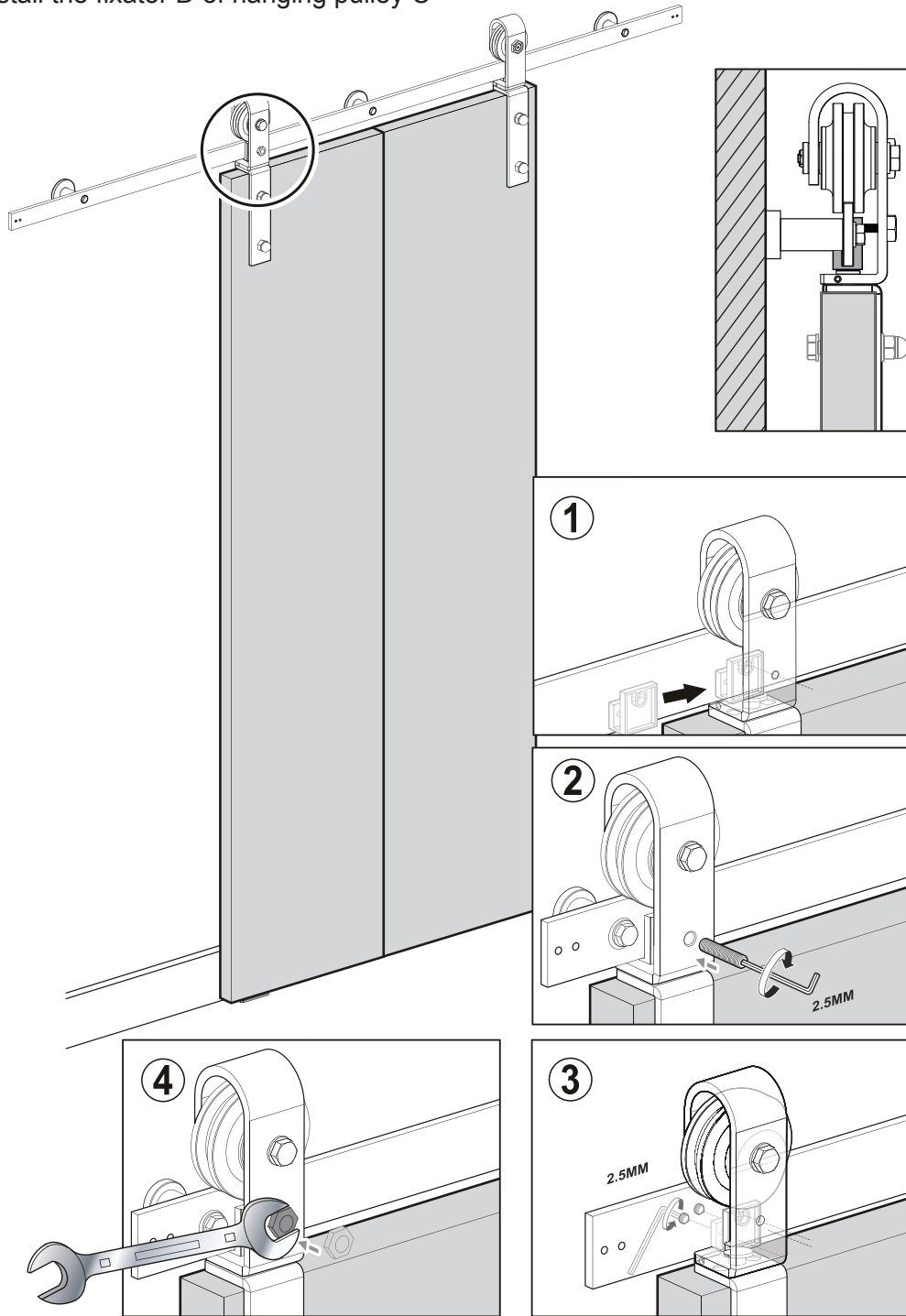
Install movable pulley



If the height of two doors are uneven, align them by adjusting the height of movable **pulley B** by hexagon wrench and wrench.  
(adjustment range: **2.5MM**)

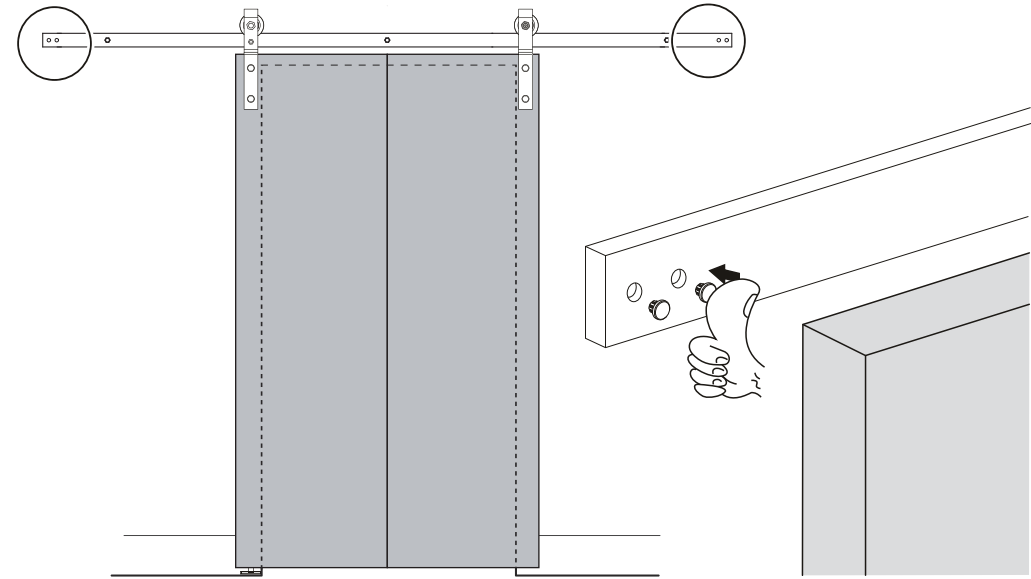
## Step-9

Install the fixator D of hanging pulley C



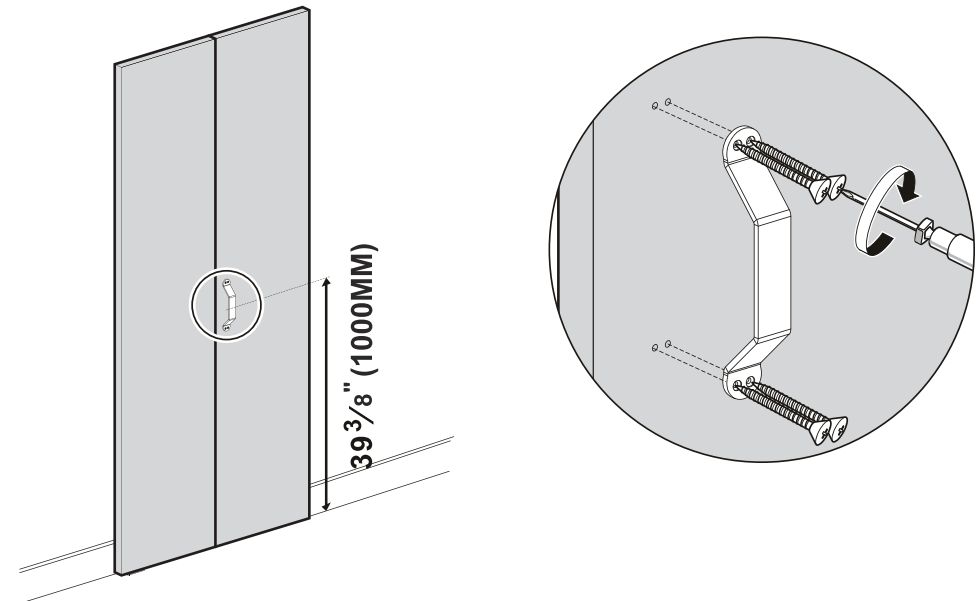
## Step-10

Plug the connecting holes on the ends of the rail with rubbers.



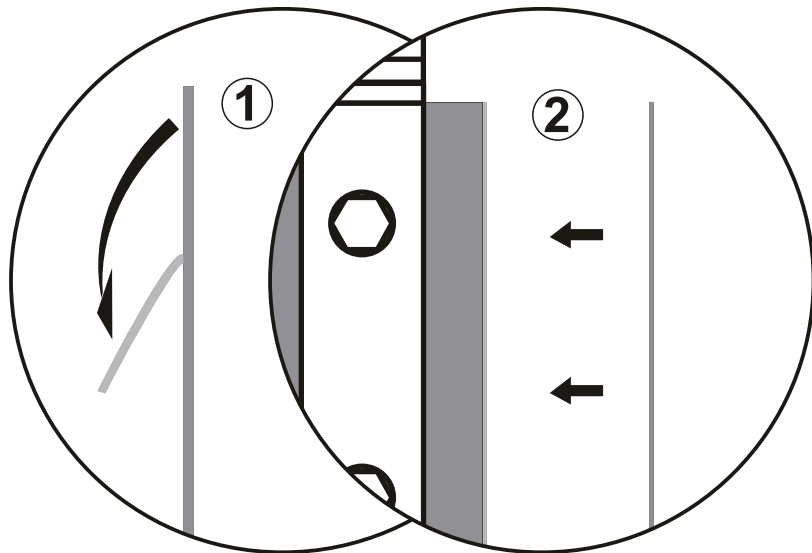
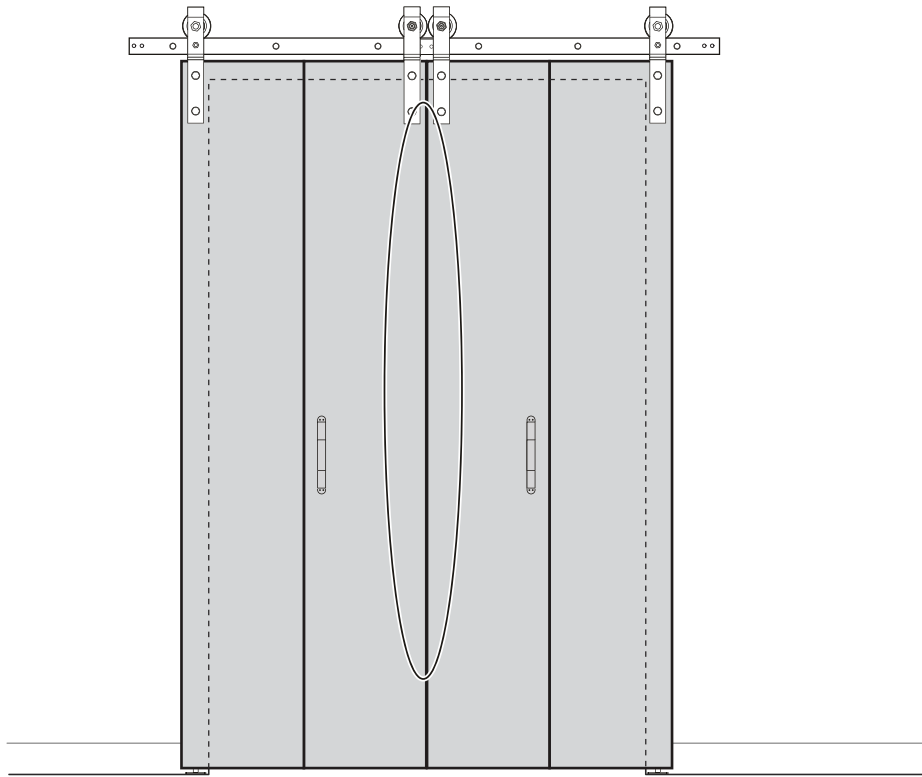
## Step-11

Install the handle.



## Stick a seal

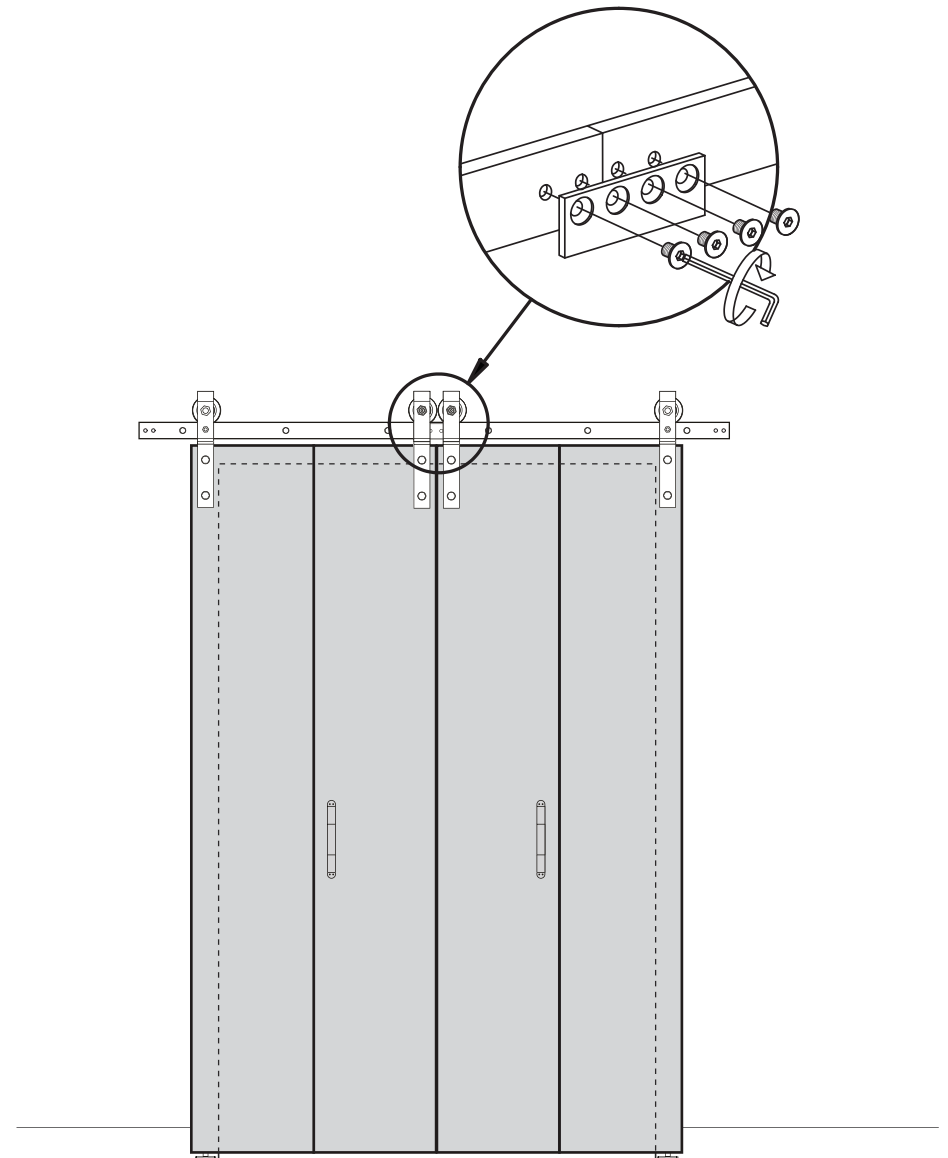
If there are 4 doors:




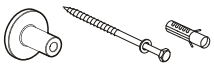



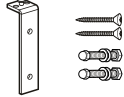
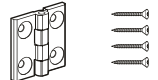

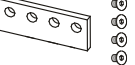
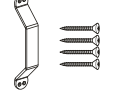

Tear double-sided adhesive tape apart, then stick the seal.

## Option (Double Doors)

The rail has pre-drilled connecting holes. You can select and combine multiple sets of products to meet your needs through the connector.



# PARTS LIST

Door Size	2X12"	2X14"	2X15"	2*16"	2X18"	2X21"	2X24"	4X12"	4X14"	4X15"	4*16"	4X18"	4X21"	4X24"
1.Track Size 	1X28"	1X34"	1X34"	1X36"	1X40"	1X46"	1X52"	2X28"	2X34"	2X34"	2X36"	2X40"	2X46"	2X52"
2.Spacer 	3	3	3	3	3	3	4	6	6	6	6	6	6	8
3.Movable pulley and bolts 	1	1	1	1	1	1	1	2	2	2	2	2	2	2
4.Fixed pulley and bolts 	1	1	1	1	1	1	1	2	2	2	2	2	2	2
5.Fixator 	1	1	1	1	1	1	1	2	2	2	2	2	2	2
6.pulley base 	2	2	2	2	2	2	2	4	4	4	4	4	4	4
7.Hinges 	3	3	3	3	3	3	3	6	6	6	6	6	6	6
8.Floor guide 	1	1	1	1	1	1	1	2	2	2	2	2	2	2
9.Track connector 	1	1	1	1	1	1	1	2	2	2	2	2	2	2
10.Handle 	1	1	1	1	1	1	1	2	2	2	2	2	2	2
11.Seal 	1	1	1	1	1	1	1	2	2	2	2	2	2	2