

QUEEN HEADBOARD / FULL HEADBOAR
 QUEEN FOOTBOARD / FULL FOOTBOARD
 QUEEN RAILS / FULL RAILS

Assembly Instruction

A . Components :

- | | |
|--------------------|-----|
| 1. Headboard Panel | 1 x |
| 2. Footboard Panel | 1 x |
| 3. Bed Rail | 2 x |
| 4. Slat | 4 x |
| 5. Slat Support | 4 x |



a



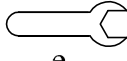
b



c



d



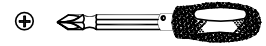
e

B . Hardware :

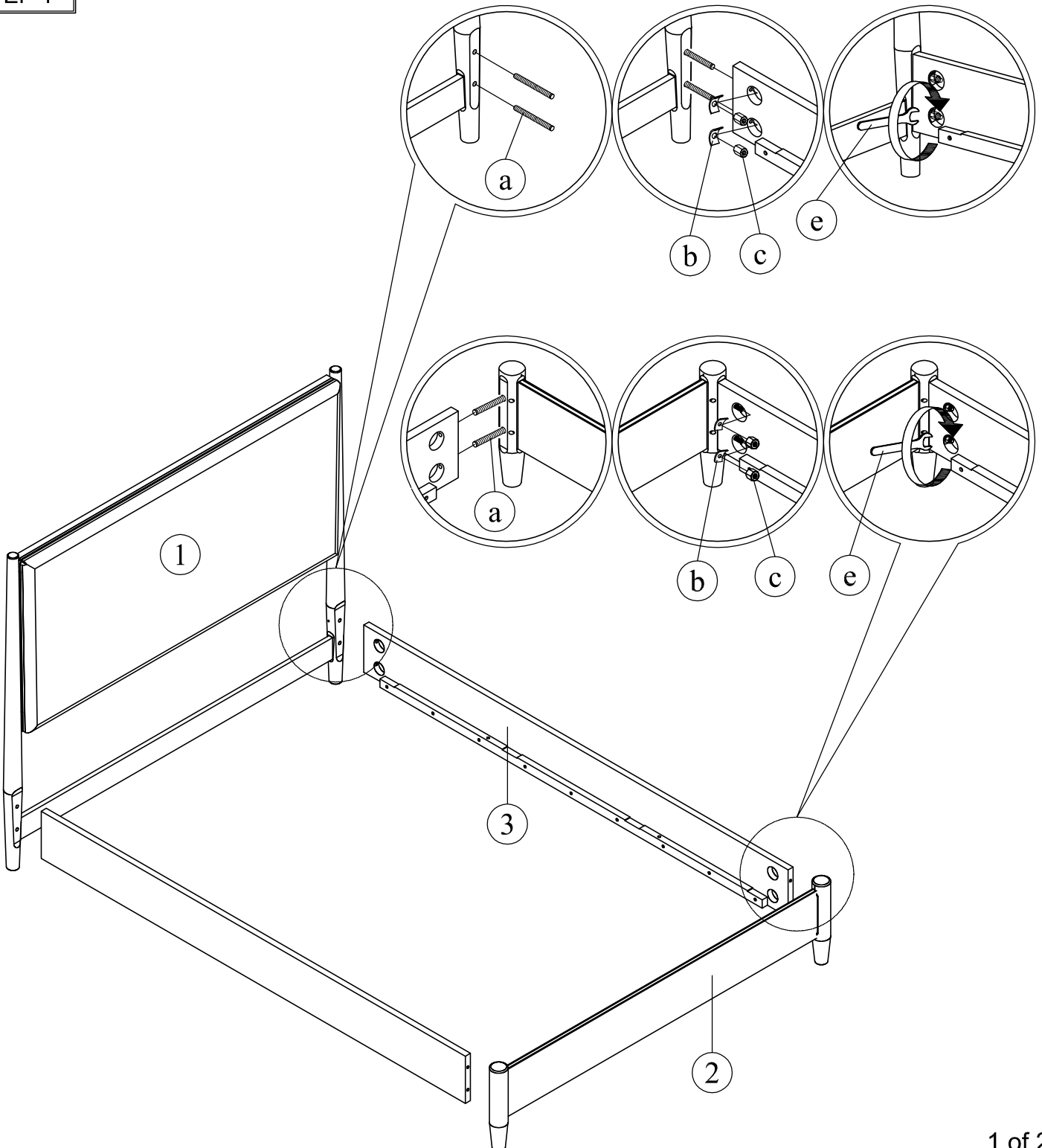
- | | |
|------------------|-----|
| a. Stud Bolt | 8 x |
| b. Square Washer | 8 x |
| c. Hex Nut | 8 x |
| d. Screw | 8 x |
| e. Wrench | 1 x |

C . Tool Required :

1. Screw Driver = (not included)

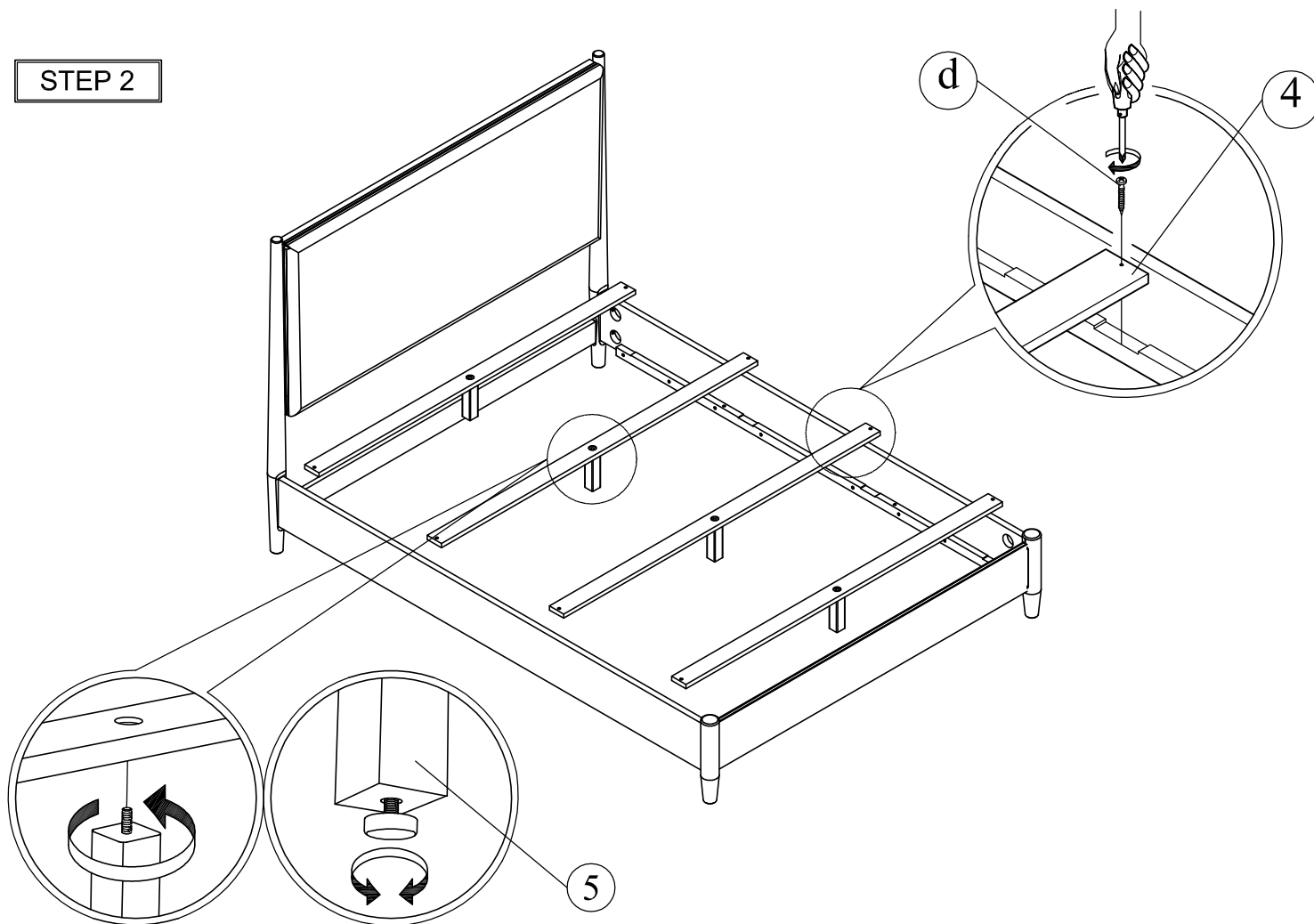


STEP 1



QUEEN HEADBOARD / FULL HEADBOAR
QUEEN FOOTBOARD / FULL FOOTBOARD
QUEEN RAILS / FULL RAILS

STEP 2



STEP 3

