



# ASSEMBLY INSTRUCTIONS

## POWER LIFT® BASKETBALL SYSTEM

**MODEL 90600**

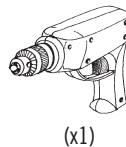
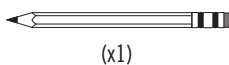
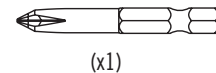
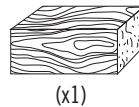
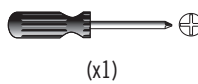
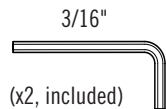
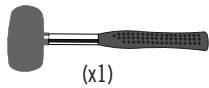
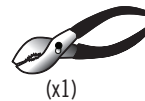
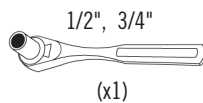
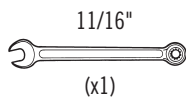
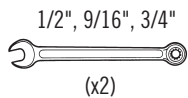
### BEFORE ASSEMBLY:

- Decide with what to fill the base (sand is recommended)
- At least 2 adults recommended for setup



**IMPORTANT, RETAIN FOR FUTURE REFERENCE: READ CAREFULLY**  
 Save this instruction in the event that the manufacturer must be contacted for replacement parts.

### TOOLS REQUIRED



### TABLE OF CONTENTS

Icon legend.....	2
Warnings & notices.....	3
Pole assembly.....	4
Pole-to-base assembly.....	8
Backboard-to-rim assembly.....	13
Backboard-to-pole assembly.....	18
Parts identifier.....	i-iv
Handle assembly.....	25
Final assembly.....	30
Maintenance.....	35
Registration.....	35
Warning Sticker.....	38
Warranty.....	39

### QUESTIONS?

Dial 1-800-225-3865  
 (English, Français, Español)

### CONTACT LIFETIME® CUSTOMER SERVICE:

Live Chat:  
[www.lifetime.com/customerservice/home](http://www.lifetime.com/customerservice/home)  
 (click on "Live Chat" tab)

For Customer Service in Mainland Europe  
 and the United Kingdom,  
 E-mail: [csinternational@lifetime.com](mailto:csinternational@lifetime.com)

Model Number: 90600  
 Product ID:



## ICON LEGEND



- Indicates special heed should be taken when reading.



- Indicates the parts to be used for a section.



- Indicates no parts required for a specific section.



- Indicates the hardware to be used for a section.



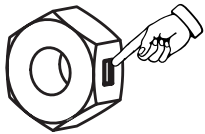
- Indicates no hardware required for a specific page.



- Indicates the tools to be used for a section.



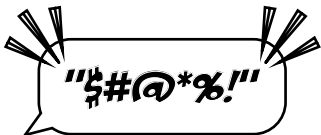
- Indicates to use/not to use an electric drill for a specific step.



- Indicates the use of a centerlock nut. A nut with this marking will require some effort to tighten. This hardware is designed with this feature in order to prevent loosening later.



- Indicates the number of adults required to perform a specific step, e.g., 2, 3, 4, etc.



- Indicates a specific step is harder to perform.



## WARNINGS & NOTICES



## SAFETY INSTRUCTIONS



**FAILURE TO FOLLOW THESE WARNINGS MAY RESULT IN SERIOUS INJURY OR PROPERTY DAMAGE AND WILL VOID WARRANTY.**

*Owner must ensure that all players know and follow these rules for safe operation of the system.*

To ensure safety, do not attempt to assemble this product without following the instructions carefully. Check entire box and inside all packing material for parts and/or additional instruction material. Before beginning assembly, read the instructions and identify parts using the hardware identifier and parts list in this document. Proper and complete assembly, use and supervision are essential for proper operation and to reduce the risk of accident or injury. A high probability of serious injury exists if this product is not installed, maintained, and operated properly.

- If using a ladder during assembly, use extreme caution.
- Two capable adults are recommended for this operation.
- Check base daily for leakage. Leaks will cause system to fall.
- Assemble the pole sections properly. Failure to do so could cause the pole sections to separate during play or transport.
- Minimum operational height is 6 ft 6 in (1.98m) to the bottom of the backboard.

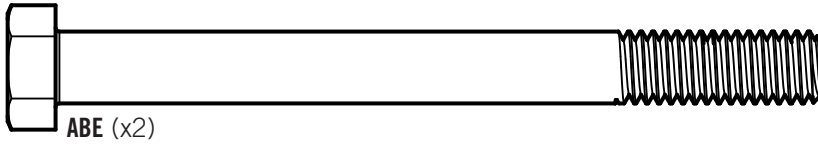
*Most injuries are caused by misuse and/or not following instructions. Use caution when using this product.*

# 1

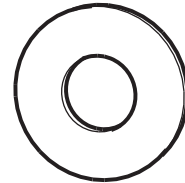
## POLE ASSEMBLY



### HARDWARE REQUIRED



ABE (x2)



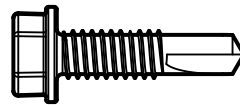
AAF (x2)



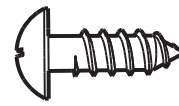
CIH (x2)



ABR (x2)



ABZ (x2)



ADS (x2)

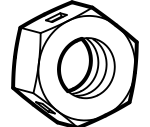


ABB (x2)



### PARTS REQUIRED

#### Metal Parts



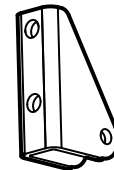
ALH (x1)



ALF (x1)



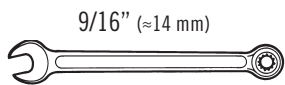
ALE (x1)



ALL (x1)



### TOOLS REQUIRED

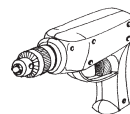


9/16" (≈14 mm)

(x2)



(x1)



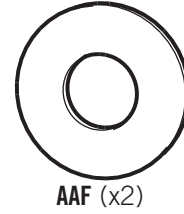
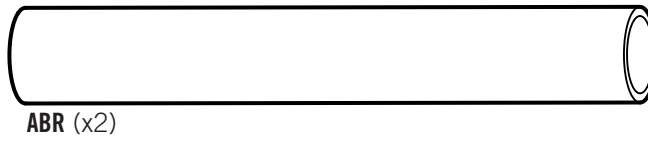
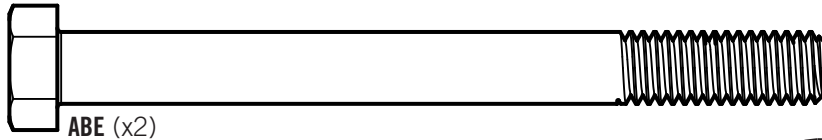
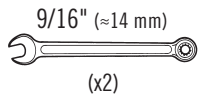
(x1)



(x1)

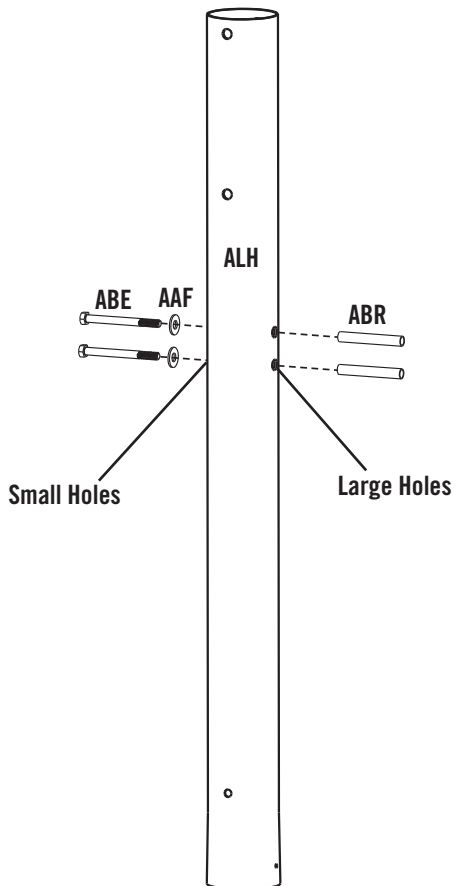
## ► SECTION 1 (CONTINUED)

### TOOLS AND HARDWARE REQUIRED



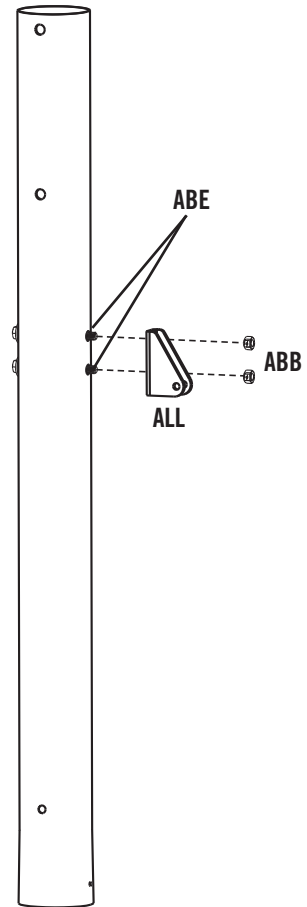
1.1

- Insert the **Hex Bolts (ABE)** with the **Washers (AAF)** into the **Top Pole (ALH)** as shown. Then slide the **Spacers (ABR)** onto the Hex Bolts.



1.2

- Secure the **Pole Bracket (ALL)** to the **Top Pole** with the hardware as shown.

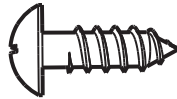


## ► SECTION 1 (CONTINUED)

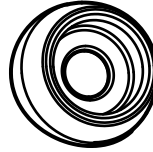
TOOLS AND HARDWARE REQUIRED



(x1)



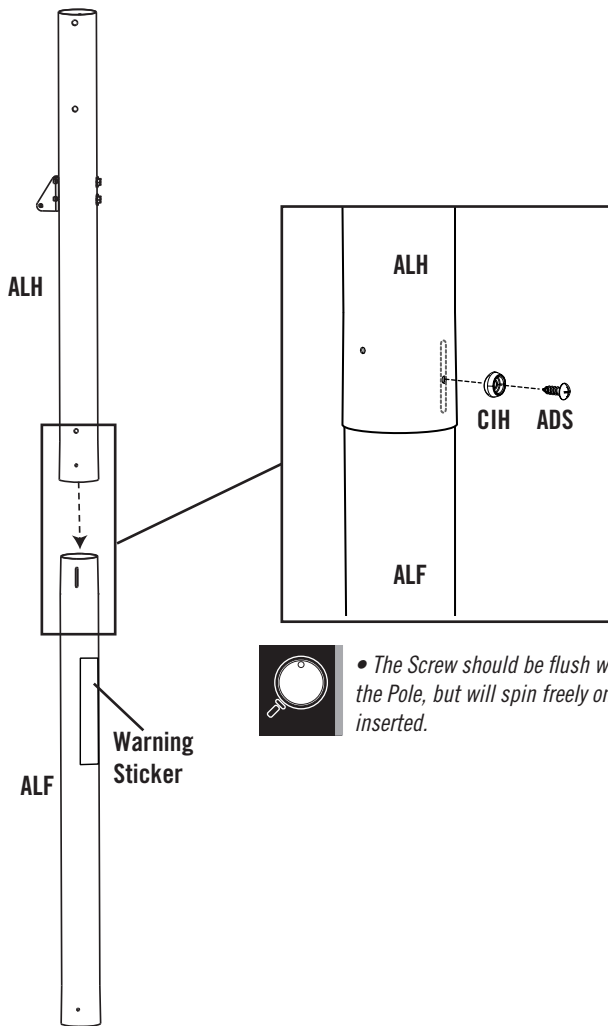
ADS (x2)



CIH (x2)

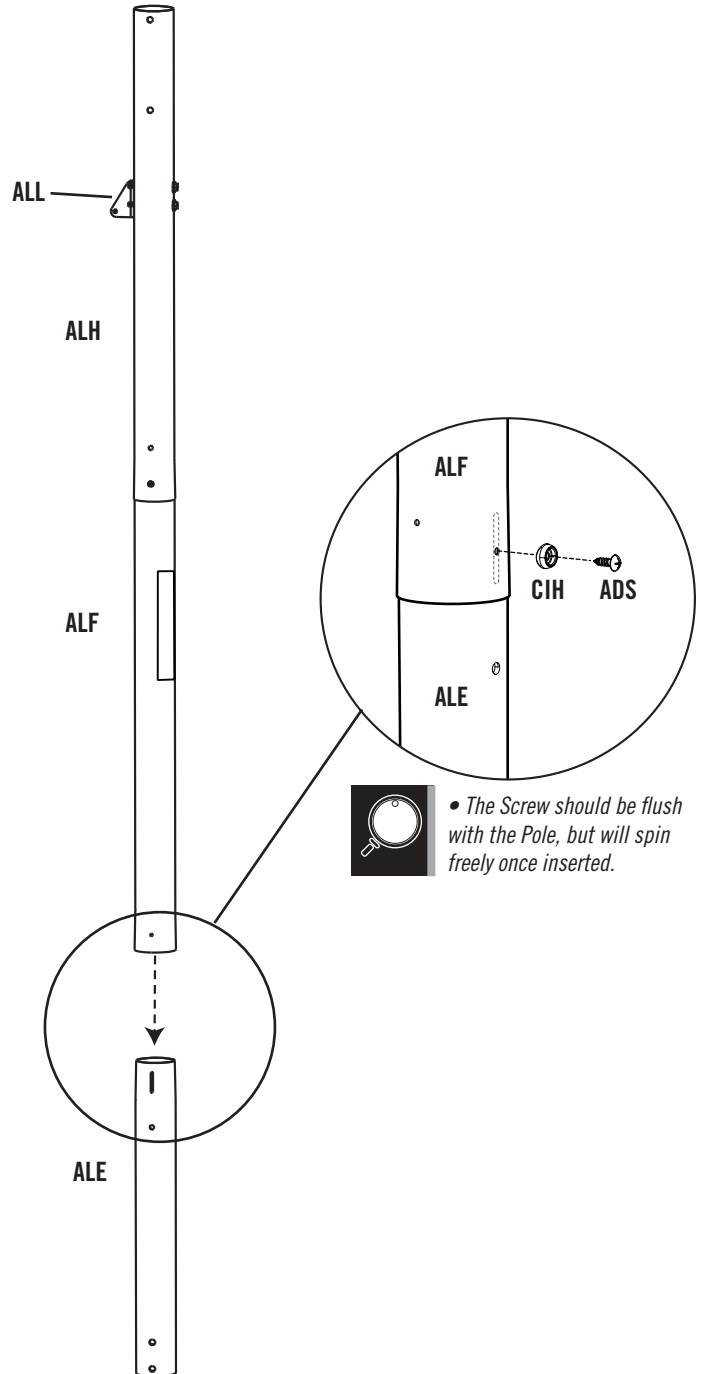
### 1.3

- Align the hole in the bottom of the **Top Pole (ALH)** with the slot in the top of the **Middle Pole (ALF)**. Insert a **Screw (ADS)** through the Countersink Washer (CIH) and into the small hole in the Top Pole.



### 1.4

- Secure the Middle Pole to the **Bottom Pole (ALE)** using the same method as step 1.3.

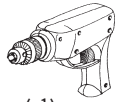


## SECTION 1 (CONTINUED)

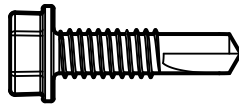
TOOLS AND HARDWARE REQUIRED



(x1)



(x1)



ABZ (x2)

### 1.5

- Strike the end of the Pole Assembly on a piece of scrap wood or cardboard 5–6 times.



- Do not strike your feet with the Pole sections, as serious injury may occur.

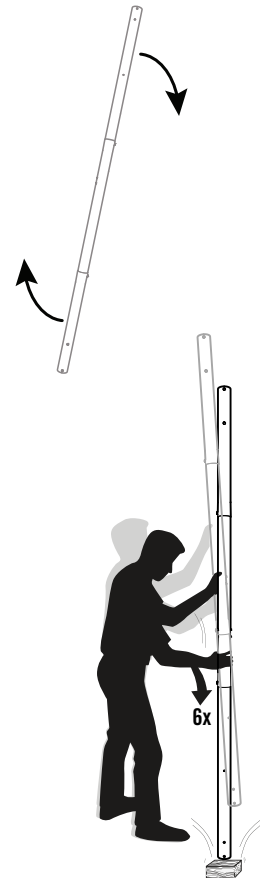


### WARNING

The poles must be seated together! Even if the poles cover the slots before seating, they must be struck on a hard surface five to six times! Failure to seat the poles correctly could allow the poles to separate during use, which could lead to serious personal injuries or property damage.

### 1.6

- Flip the Pole over and repeat step 1.5 for the opposite end of the Pole Assembly.

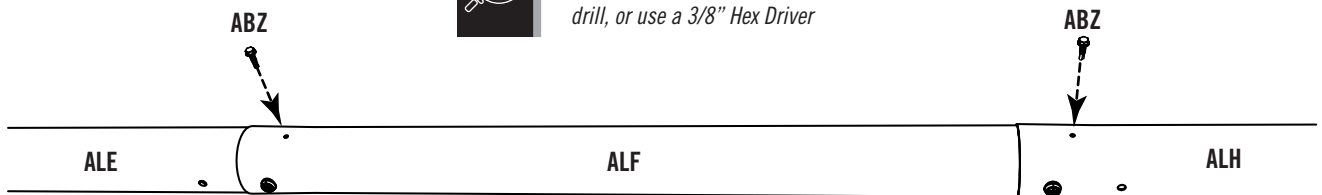


### 1.7

- Using a Power Drill, secure the Poles together with **Self-Tapping Screws (ABZ)**.



- For ease of installation, chuck the head of the Self-Tapping Screws directly into the drill, or use a 3/8" Hex Driver

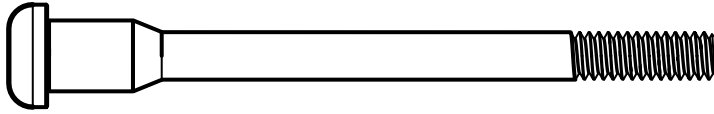


# 2

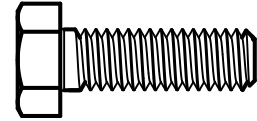
## POLE-TO-BASE ASSEMBLY / ASSEMBLAGE DU POTEAU A LA BASE / ENSAMBLAJE DEL POSTE A LA BASE



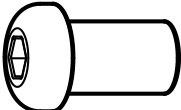
### HARDWARE REQUIRED / QUINCAILLERIE REQUISE / HERRAJE REQUERIDO



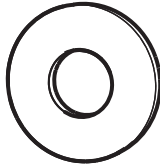
DRZ (x1)



AAE (x2)



BTS (x1)



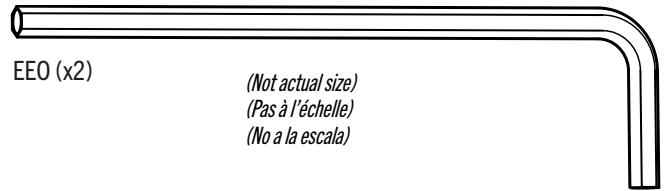
ABD (x4)



AAO (x2)



ABL (x4)



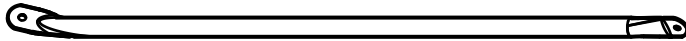
EEO (x2)

(Not actual size)  
(Pas à l'échelle)  
(No a la escala)

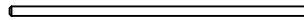


### PARTS REQUIRED / PIÈCES REQUISES / PIEZAS REQUERIDAS

Metal Parts / Pièces en métal / Piezas de metal



ALI (x2)



AJC (x1)

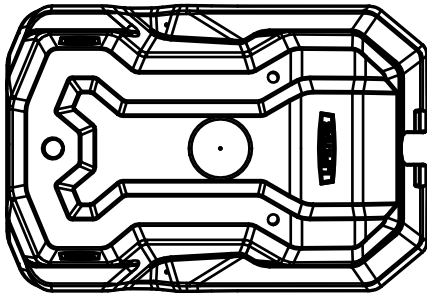
Axle / Essieu / Eje



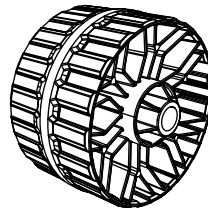
HJX (x1)

Axle / Essieu / Eje

Plastic Parts / Pièces en plastique / Piezas de plástico



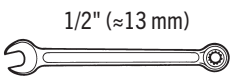
AJM (x1)



AMU (x2)



### TOOLS REQUIRED / OUTILS REQUIS / INSTRUMENTAL REQUERIDO

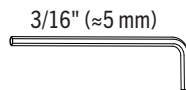


1/2" (≈13 mm)

(x2)



(x1)



3/16" (≈5 mm)

(x2)

## ► SECTION 2 (CONTINUED) / SECTION 2 (SUITE) / SECCIÓN 2 (CONTINUACIÓN)

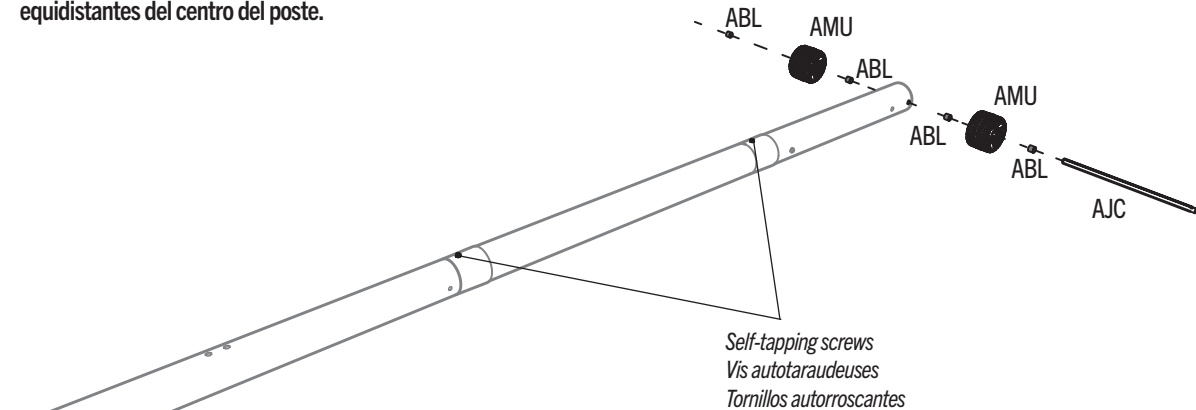
TOOLS AND HARDWARE REQUIRED / OUTILS ET QUINCAILLERIE REQUIS / INSTRUMENTAL Y HERRAJE REQUERIDOS



ABL (x4)

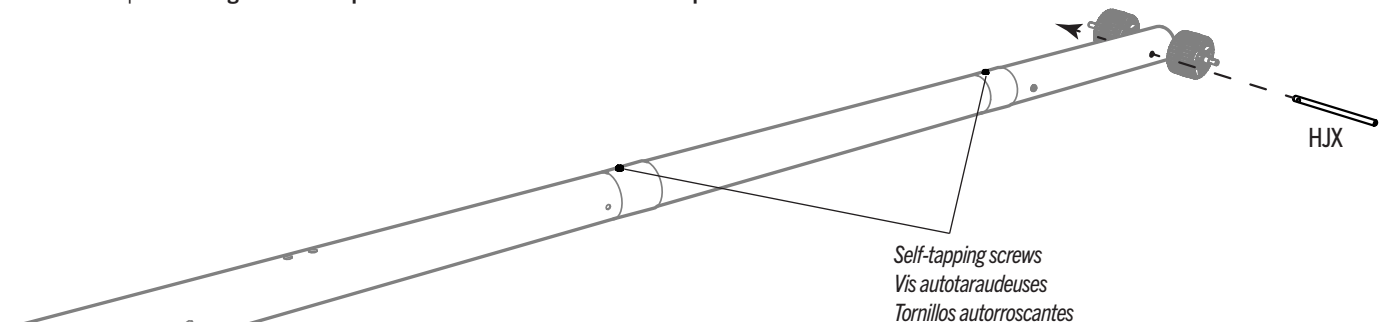
### 2.1

- Lay the pole assembly down and slide the **long axle (AJC)** through a **spacer (ABL)**, a **wheel (AMU)**, a second **spacer (ABL)** and the hole at the end of the bottom pole. Continue sliding the axle through a third **spacer (ABL)**, the second **wheel (AMU)** and a fourth **spacer (ABL)** as indicated. **The ends of the axle should be equidistant from the center of the pole.**
- Mettre l'assemblage du poteau sur le sol et faire glisser l'**essieu long (AJC)** à travers une **entretoise (ABL)**, une **roue (AMU)**, une deuxième **entretoise (ABL)** et le trou au bas du poteau inférieur. Continuer à faire glisser l'essieu à travers une troisième **entretoise (ABL)**, la deuxième **roue (AMU)** et une quatrième **entretoise (ABL)** comme indiqué. **Les extrémités de l'essieu doivent être équidistantes du centre du poteau.**
- Colocar el conjunto del poste en el suelo y faire glisser el **eje largo (AJC)** a través un **espaciador (ABL)**, una **rueda (AMU)**, un segundo **espaciador (ABL)** y el agujero al fondo del poste. Continuar deslizando el eje a través de un tercer **espaciador (ABL)**, la segunda **rueda (AMU)** y un cuarto **espaciador (ABL)** como se indica. **Los extremos del eje deben ser equidistantes del centro del poste.**



### 2.2

- Slide the **short axle (HJX)** through hole next to the bottom hole so the ends of the axle are equidistant from the pole. **Please note that the two self-tapping screws from step 1.6 are on top.**
- Faire glisser l'**essieu court (HJX)** à travers le trou à côté du trou inférieur pour que les extrémités de l'essieu soient équidistantes du poteau. **Vouloir noter que les deux vis autotaraudeuses de l'étape 1.6 se trouvent en haut.**
- Deslizar el **eje corto (HJX)** a través del orificio junto al orificio inferior para que los extremos del eje estén equidistantes del poste. **Tenga en cuenta que los dos tornillos autorroscantes del paso 1.6 miran hacia arriba.**



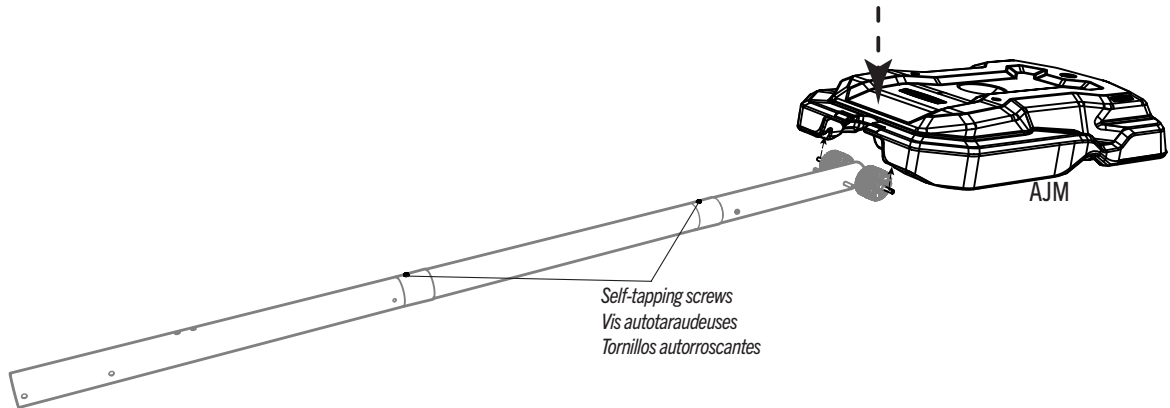
## ► SECTION 2 (CONTINUED) / SECTION 2 (SUITE) / SECCIÓN 2 (CONTINUACIÓN)

TOOLS AND HARDWARE REQUIRED / OUTILS ET QUINCAILLERIE REQUIS / INSTRUMENTAL Y HERRAJE REQUERIDOS



### 2.3

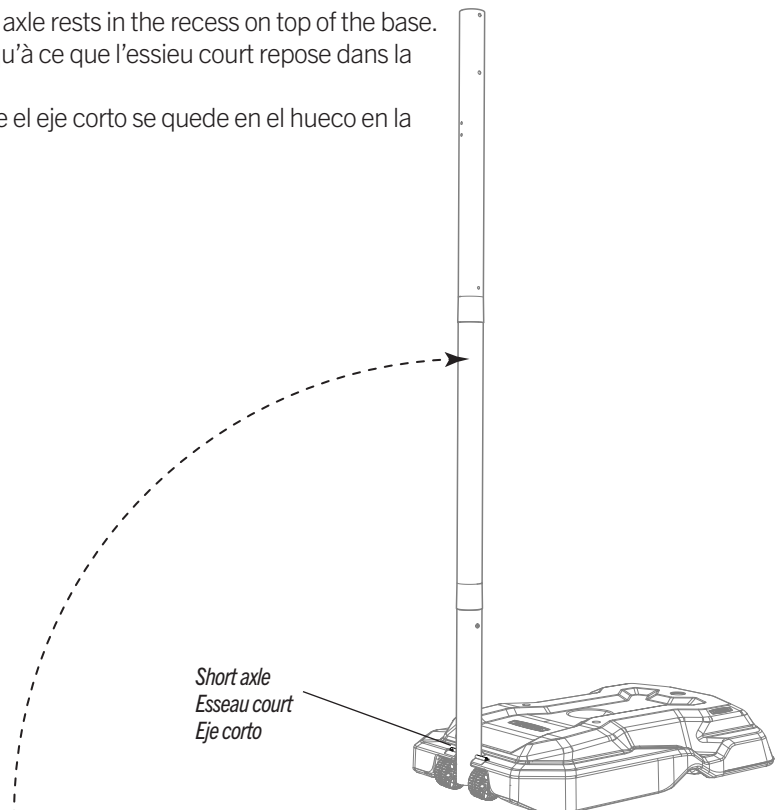
- Set the front of the **base (AJM)** over the long axle as indicated. The ends of the long axle should be up inside the recesses in the bottom of the base. **Please note that the two self-tapping screws from step 1.6 are on top. These should be on top in order to have all the other holes in the pole sections oriented correctly.**
- Mettre la partie frontale de la **base (AJM)** sur l'essieu long comme indiqué. Les extrémités de l'essieu long doivent être dedans les rainures dans la partie inférieure de la base. **Vouloir noter que les deux vis autotaraudeuses de l'étape 1.6 se trouvent en haut. Ceux-ci doivent être sur le dessus afin que tous les autres trous des sections de poteau soient correctement orientés.**
- Colocar la parte delantera de la **base (AJM)** sobre el eje largo como se indica. Los extremos del eje largo deben estar dentro de los huecos en la parte inferior de la base. **Tenga en cuenta que los dos tornillos autorroscantes del paso 1.6 miran hacia arriba. Estos deben estar en la parte superior para que todos los demás orificios en las secciones del poste estén orientados correctamente.**



### 2.4



- Rotate the pole assembly upright until the short axle rests in the recess on top of the base.
- Lever l'assemblage du poteau à la verticale jusqu'à ce que l'essieu court repose dans la partie supérieure de la base.
- Levantar el conjunto del poste vertical hasta que el eje corto se quede en el hueco en la parte superior de la base.

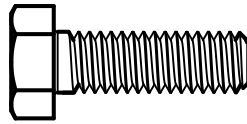


## SECTION 2 (CONTINUED) / SECTION 2 (SUITE) / SECCIÓN 2 (CONTINUACIÓN)

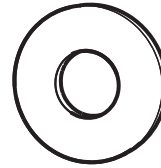
TOOLS AND HARDWARE REQUIRED / OUTILS ET QUINCAILLERIE REQUIS / INSTRUMENTAL Y HERRAJE REQUERIDOS



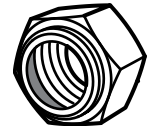
EEO (x2)



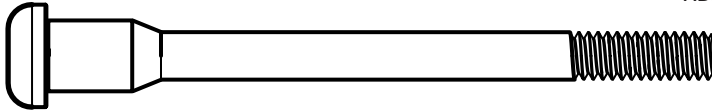
AAE (x2)



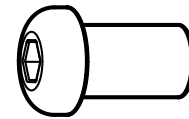
ABD (x4)



AAO (x2)



DRZ (x1)

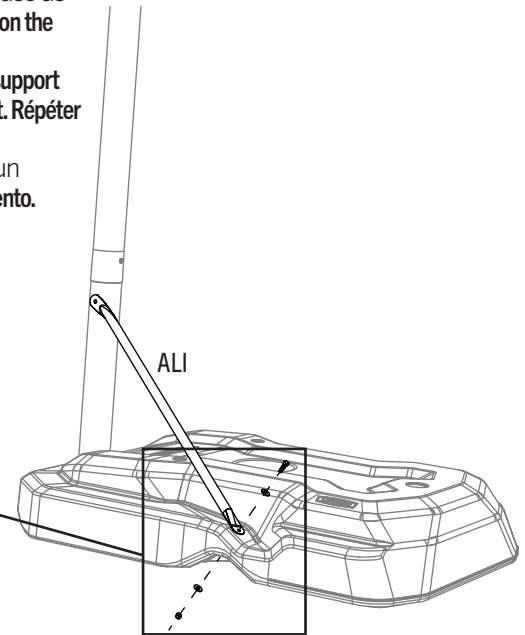
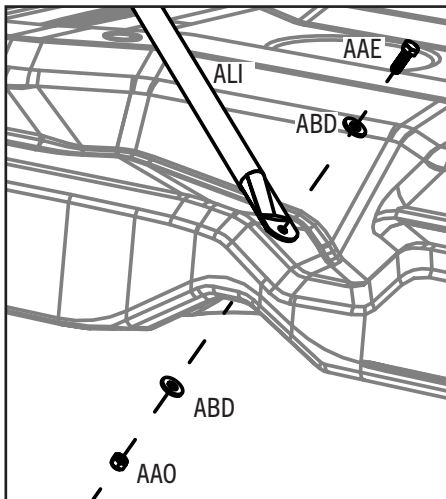


BTS (x1)

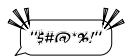
### 2.5



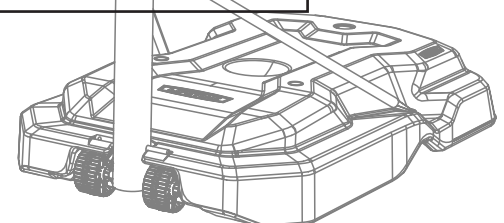
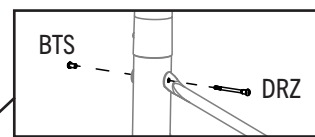
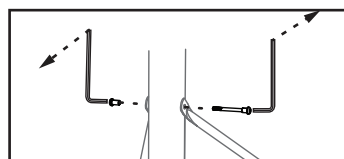
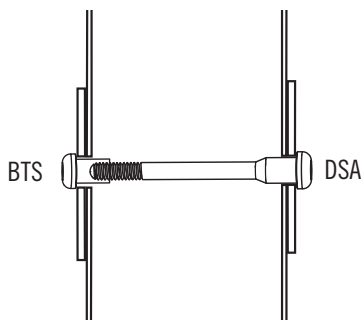
- While a second adult holds the pole upright, attach a **pole brace (ALI)** to the base as indicated. **Tighten only by hand at this time. Repeat this step for the second pole brace on the other side of the pole and base.**
- Pendant qu'un deuxième adulte tient le poteau à la verticale, attacher un **support de poteau (ALI)** à la base comme indiqué. **Serrer seulement à la main en ce moment. Répéter cette étape pour le deuxième support de poteau sur l'autre côté du poteau et de la base.**
- Mientras un segundo adulto sostiene el poste en posición vertical, sujetar un **soporte de poste (ALI)** a la base como se indica. **Apretar sólo a mano en este momento. Repetir este paso para el segundo soporte de poste en el otro lado del poste y de la base.**



### 2.6



- Align the holes in the braces with those in the pole and secure the braces to the pole using the hardware indicated. **Note the bolt (DRZ) does not go all the way through the pole; the barrel nut (BTS) connects to it inside the pole. DO NOT completely tighten at this time.**
- Aligner les trous dans les supports avec ceux dans le poteau et fixer les supports au poteau en utilisant la quincaillerie indiquée. **Notar que le boulon (DRZ) ne traverse pas complètement le poteau ; l'écrou à manchon (BTS) s'y connecte à l'intérieur du poteau. NE PAS serrer complètement en ce moment.**
- Alinear los orificio en los soportes con ellos en el poste y fijar los soportes al poste usando el herraje indicado. **Observar que el perno (DRZ) no atraviesa por completo el poste; la tuerca de acoplamiento (BTS) se conecta a ello dentro del poste. NO apretar por completo en este momento.**



## ► SECTION 2 (CONTINUED) / SECTION 2 (SUITE) / SECCIÓN 2 (CONTINUACIÓN)

TOOLS AND HARDWARE REQUIRED / OUTILS ET QUINCAILLERIE REQUIS / INSTRUMENTAL Y HERRAJE REQUERIDOS



1/2" (≈13 mm)

(x2)



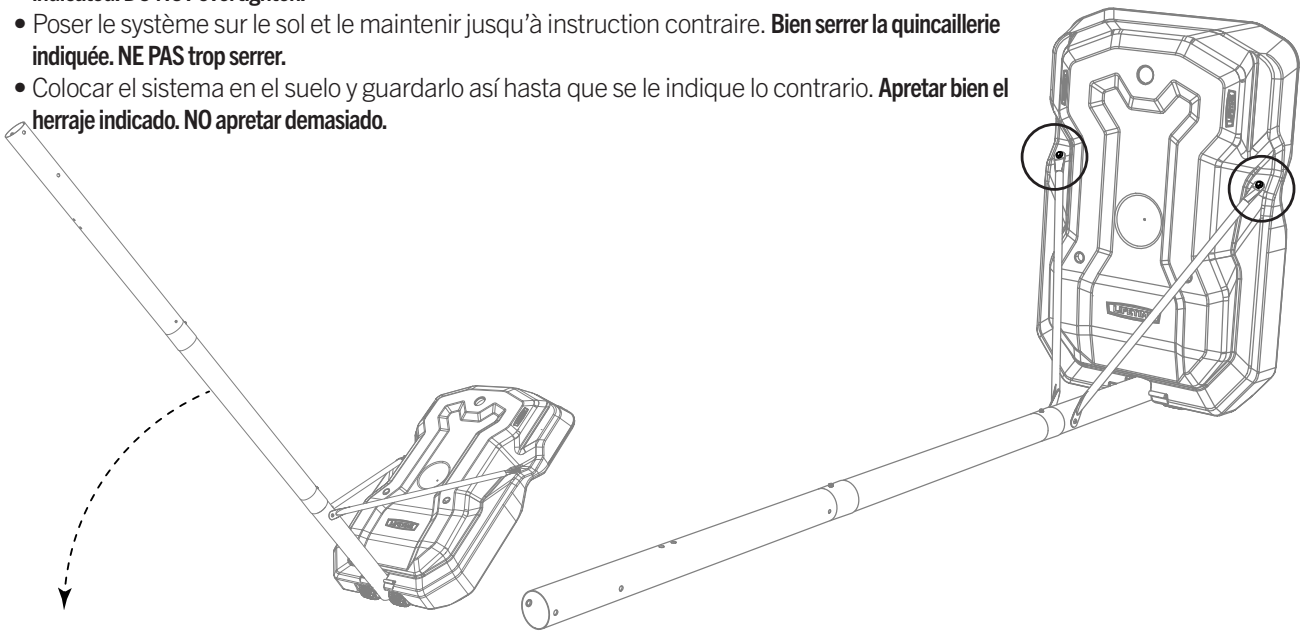
EEO (x2)



### 2.7



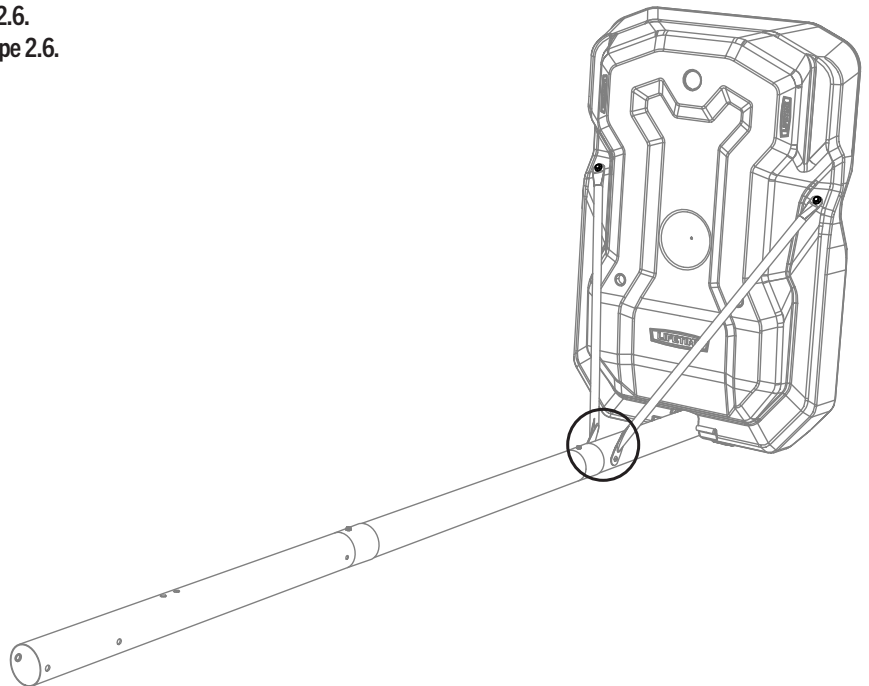
- Lay the system down and keep it down until instructed otherwise. **Securely tighten the hardware indicated. DO NOT overtighten.**
- Poser le système sur le sol et le maintenir jusqu'à instruction contraire. **Bien serrer la quincaillerie indiquée. NE PAS trop serrer.**
- Colocar el sistema en el suelo y guardarlo así hasta que se le indique lo contrario. **Apretar bien el herraje indicado. NO apretar demasiado.**



### 2.8



- Now, securely tighten the hardware from step 2.6.
- Maintenant, bien serrer la quincaillerie de l'étape 2.6.
- Ahora, apretar bien el herraje del paso 2.6.



# 3

## BACKBOARD-TO-RIM ASSEMBLY

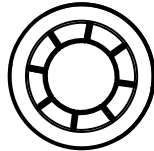


### HARDWARE REQUIRED

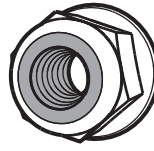
Hardware Bag



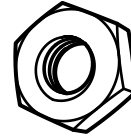
EAP (x2)



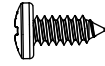
AAQ (x2)



ABK (x4)



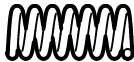
AAV (x2)



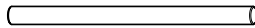
ADR (x4)



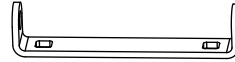
AOW (x1)



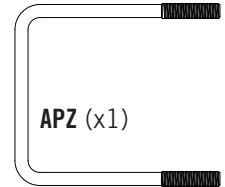
AJW (x2)



ABQ (x1)



APY (x1)

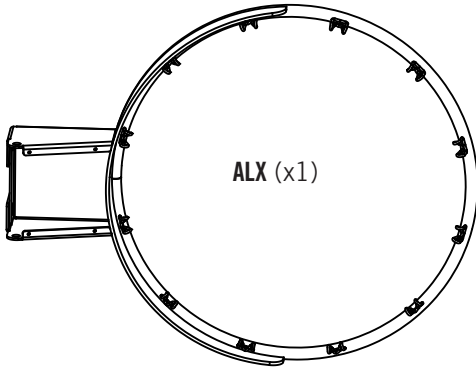


APZ (x1)

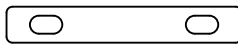


### PARTS REQUIRED

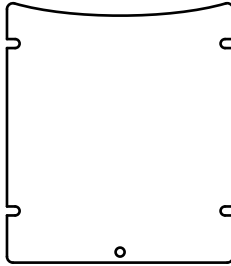
Metal Parts



ALX (x1)

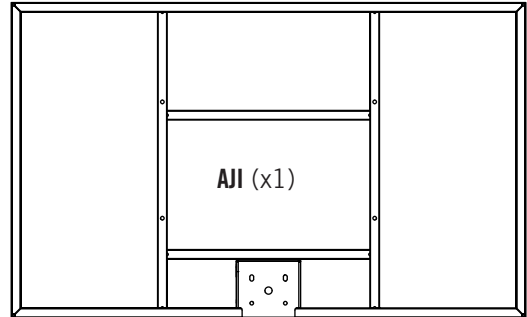


BGR (x1)

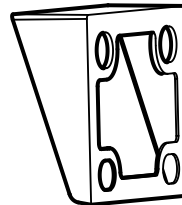


AMA (x1)

Plastic Parts



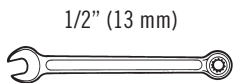
AJI (x1)



ALD (x1)



### TOOLS REQUIRED



1/2" (13 mm)

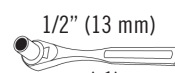
(x2)



(x1)



(x1)

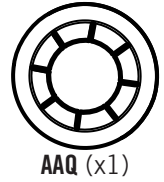
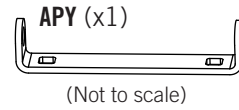
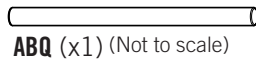
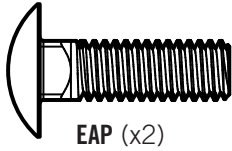
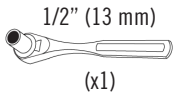


1/2" (13 mm)

(x1)

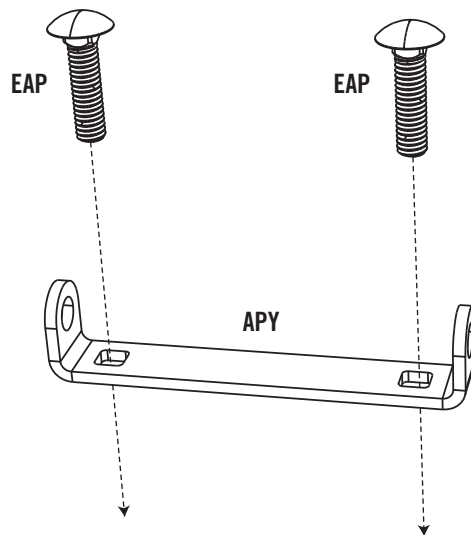
## ► SECTION 3 (CONTINUED)

TOOLS AND HARDWARE REQUIRED



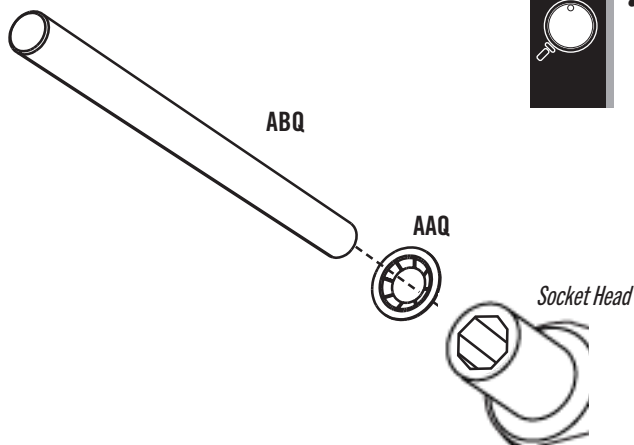
### 3.1

- Insert two **Carriage Bolts (EAP)** through the **Rim Pivot Bracket (APY)** as shown.



### 3.2

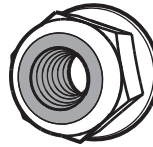
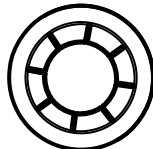
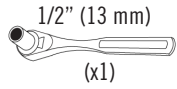
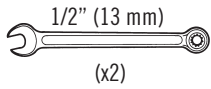
- Use the 1/2" socket head from the socket head wrench to press one **Push Nut (AAQ)** onto one end of the **Axle (ABQ)**.



- *The Push Nut should rest about 1/8" from the end of the Axle. If the Push Nut slips on too far, continue sliding it to the other end of the Axle to remove it and try again.*

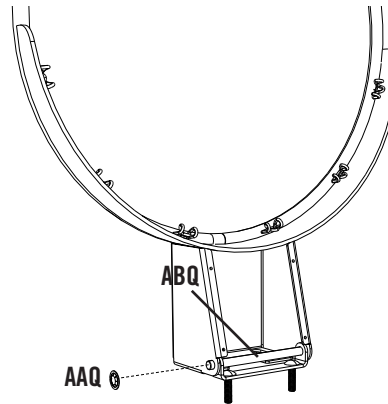
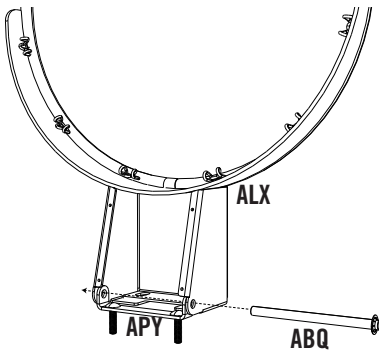
## SECTION 3 (CONTINUED)

TOOLS AND HARDWARE REQUIRED



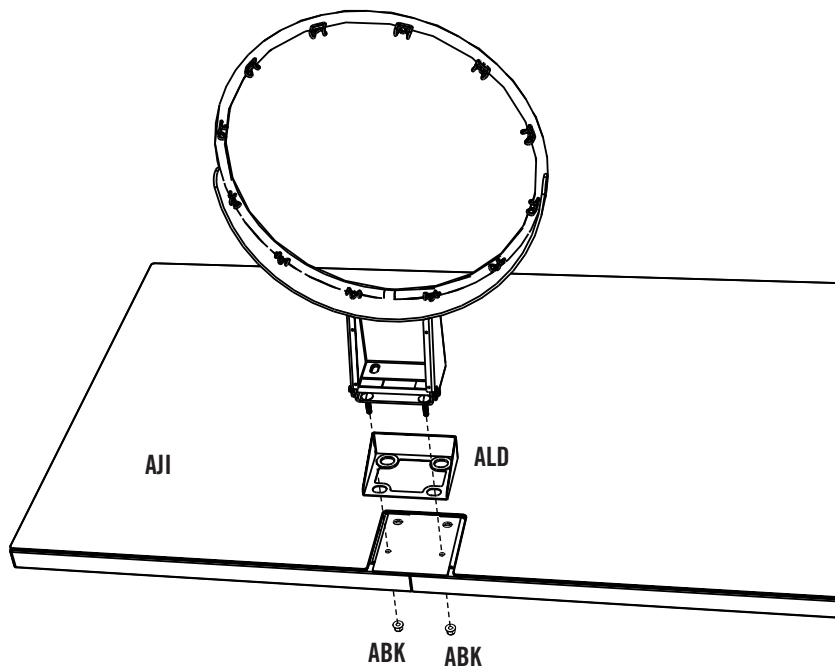
### 3.3

- Slide the end of the **Axle (ABQ)** through the **Rim (ALX)** and the **Rim Pivot Bracket (APY)**. Press the **Push Nut (AAQ)** onto the end of the Axle. Use the socket head to secure the Push Nut if needed.



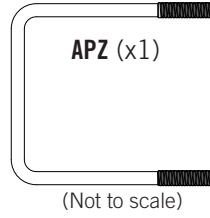
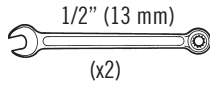
### 3.4

- Connect the Rim and **Plastic Guard (ALD)** to the **Backboard (AJI)** with the hardware shown.



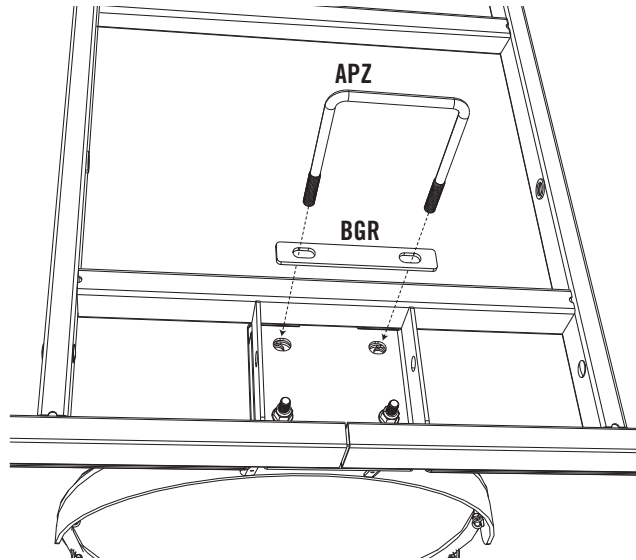
## ► SECTION 3 (CONTINUED)

TOOLS AND HARDWARE REQUIRED



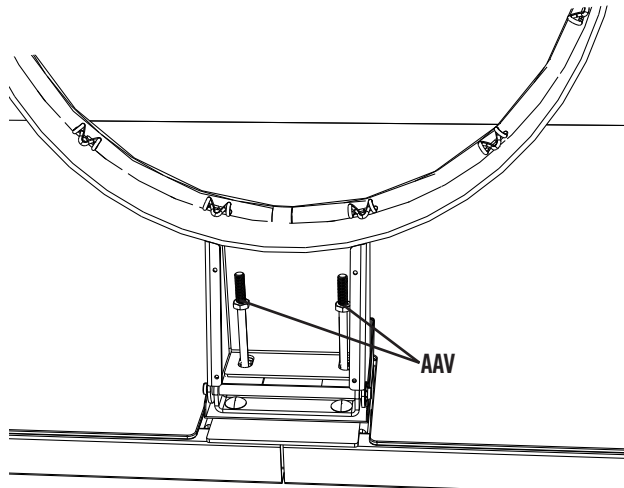
### 3.5

- Insert the **U-Bolt (APZ)** through the **U-Bolt Washer Plate (BGR)** and into the back of the Backboard as shown.



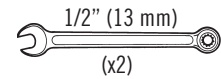
### 3.6

- Thread the **Jam Nuts (AAV)** all the way down on the U-Bolt as shown.



## SECTION 3 (CONTINUED)

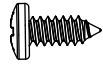
### TOOLS AND HARDWARE REQUIRED



(x2)



(x1)



ADR (x4)

AOW (x1)

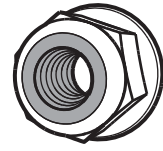


(Not to scale)

AJW (x2)



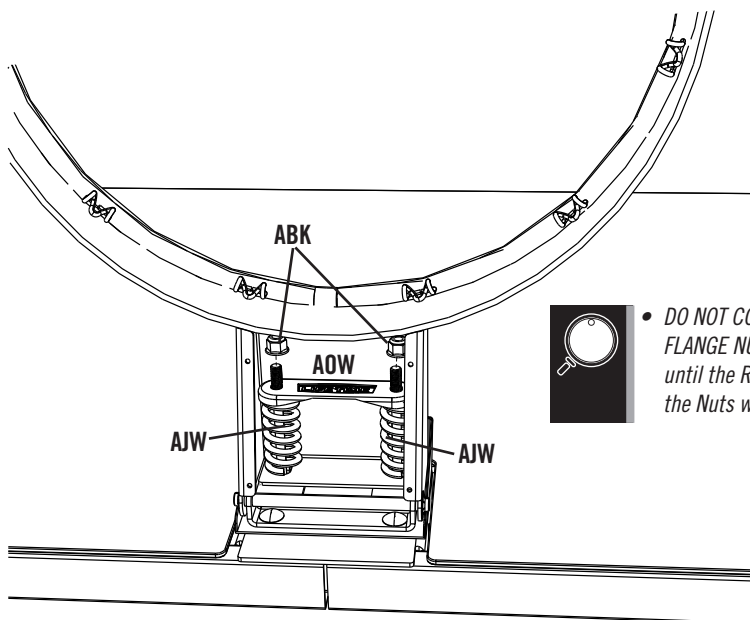
(Not to scale)



ABK (x2)

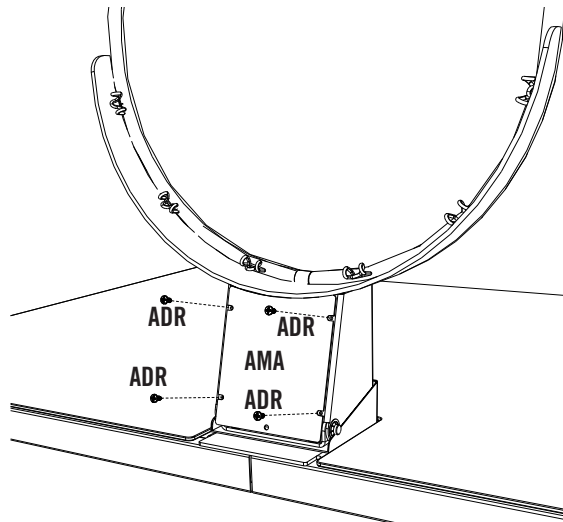
## 3.7

- Slide the **Compression Springs (AJW)** onto the **U-Bolt**, and place the **Spring Retainer Plate (AOW)** over the Compression Springs. Tighten the **Nylock Flange Nuts (ABK)** until the **Rim (ALX)** does not wobble to complete this step.



## 3.8

- Attach the **Rim Cover Plate (AMA)** to the Rim with the hardware shown.

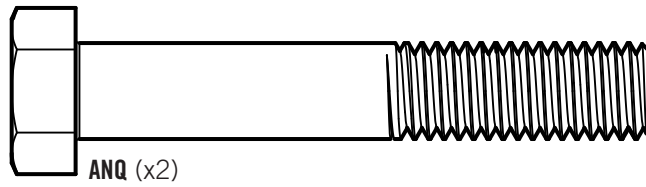
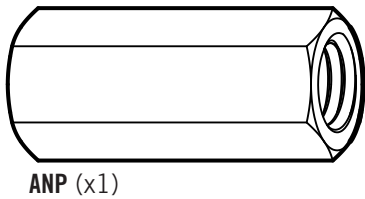
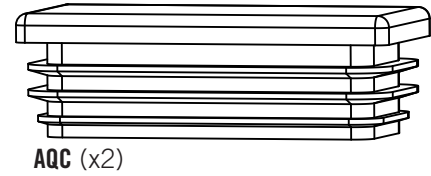
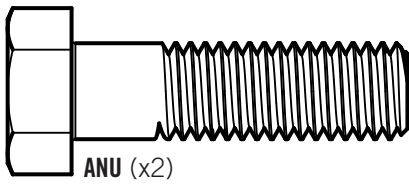
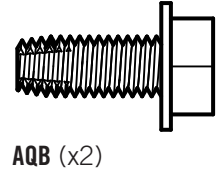
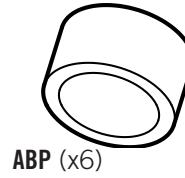
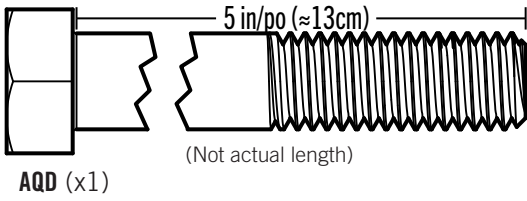
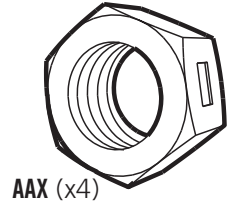
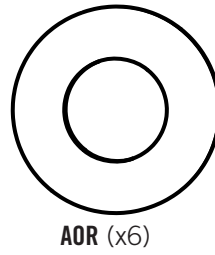
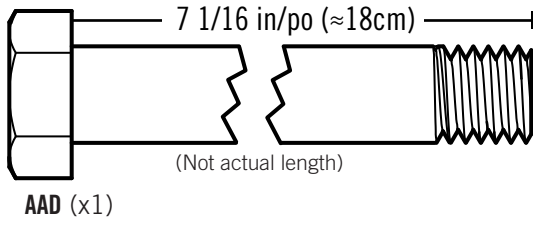


# 4

## BACKBOARD-TO-POLE ASSEMBLY

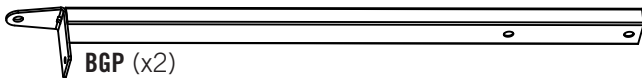
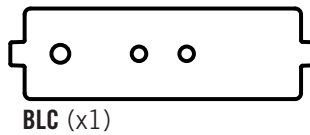
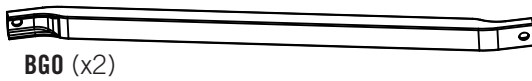


### HARDWARE REQUIRED

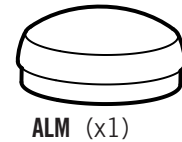


### PARTS REQUIRED

#### Metal Parts



#### Plastic Part

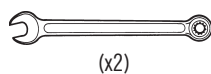


### TOOLS REQUIRED

3/4", 1/2"

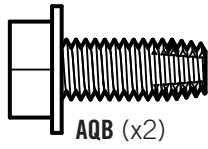
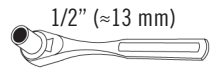
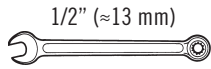


1/2", 11/16",  
3/4"



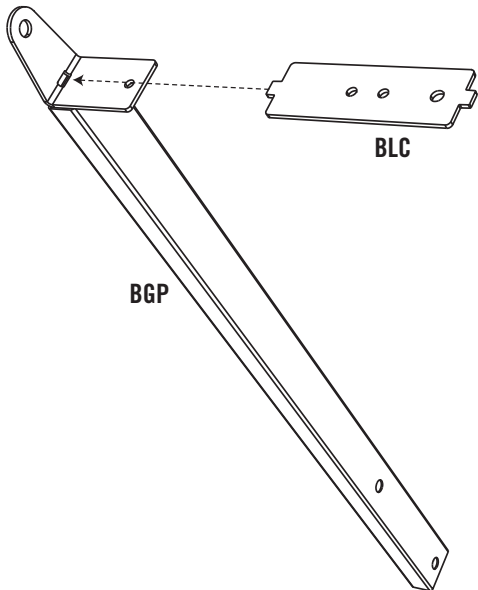
## ► SECTION 4 (CONTINUED)

TOOLS AND HARDWARE REQUIRED



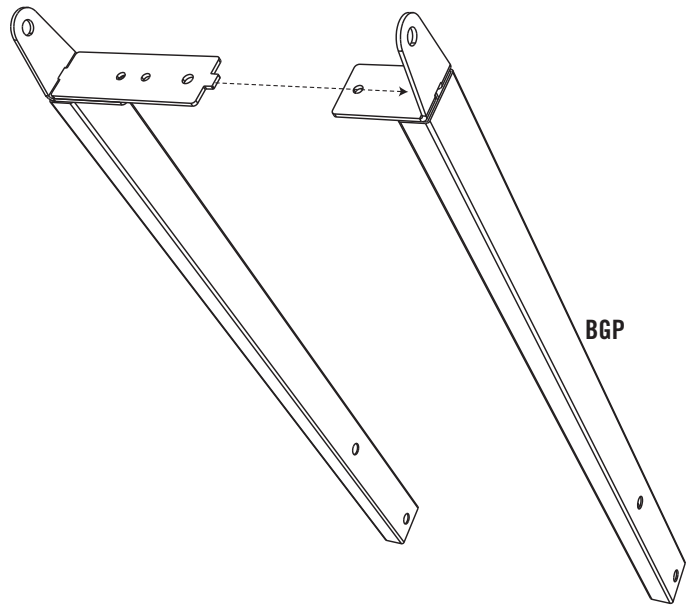
### 4.1

- Insert one end of the **Tie Plate (BLC)** into the slot on the **Lower Extension Arm (BGP)** as shown.



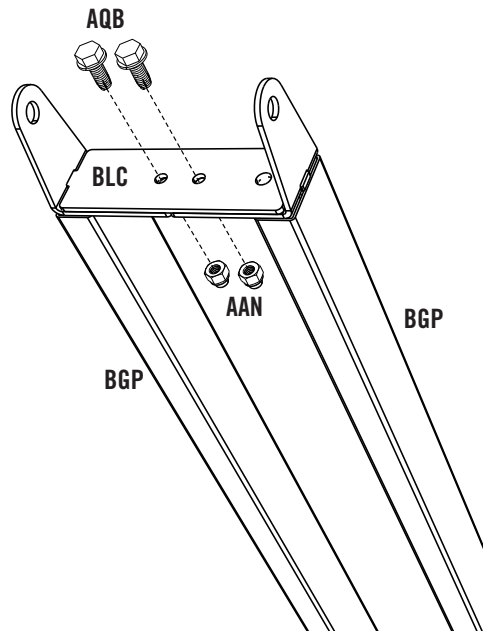
### 4.2

- Insert the opposite end of the Tie Plate into the slot on the other **Lower Extension Arm (BGP)** as shown.



### 4.3

- Attach the **Lower Extension Arms (BGP)** together with the hardware shown. Use a Socket Wrench to screw the **Thread-Cutting Bolts (AQB)** through the Lower Extension Arms and the **Tie Plate (BLC)**.

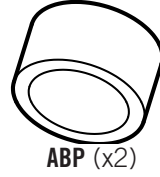
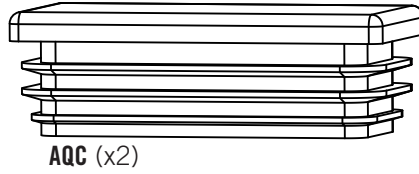
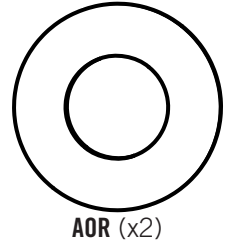
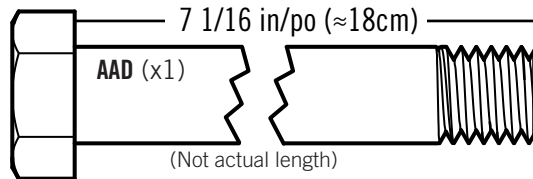
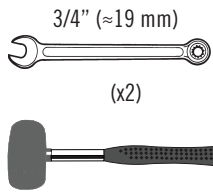


## WARNING

Do not overtighten the cap nut. If the end of the bolt breaks through the plastic cap, call our Customer Service Department. Exposed threads on the end of the bolt may cause serious injuries.

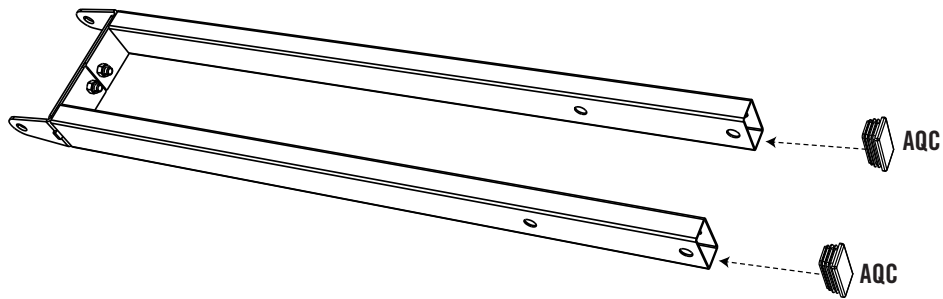
## SECTION 4 (CONTINUED)

TOOLS AND HARDWARE REQUIRED



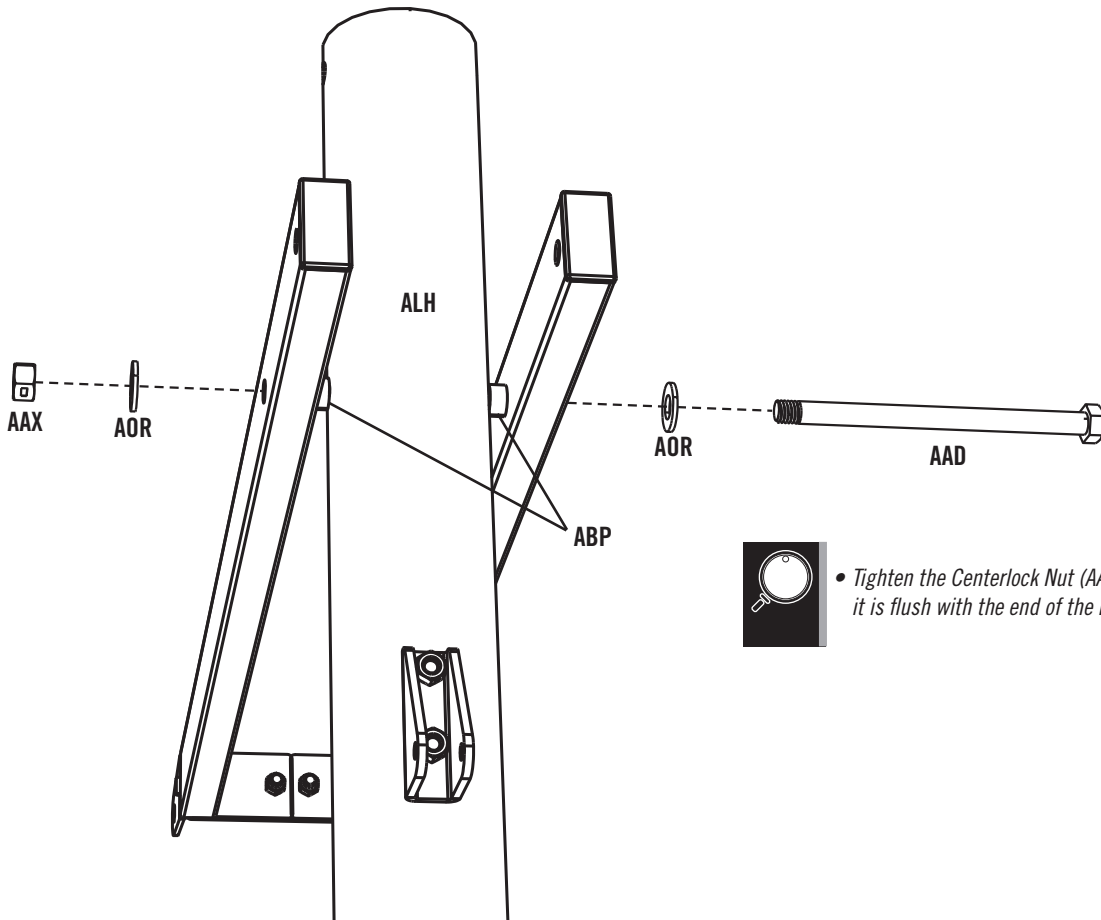
### 4.4

- Insert the **Extension Arm Caps (AQC)** into the ends of the Lower Extension Arms as shown.



### 4.5

- Attach the Lower Extension Arms to the **Top Pole (ALH)** with the hardware shown.





*This page intentionally left blank*

*Remove this yellow section for use as a quick reference*



# PARTS IDENTIFIER

## Metal Parts



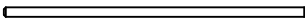
ALH (x1)



ALF (x1)



ALE (x1)



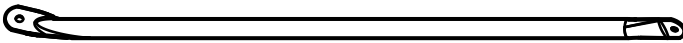
AJC (x1)

*Axle / Essieu / Eje*

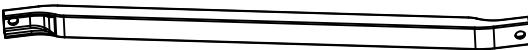


HJX (x1)

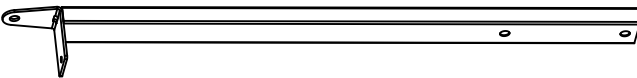
*Axle / Essieu / Eje*



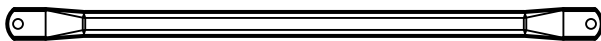
ALI (x2)



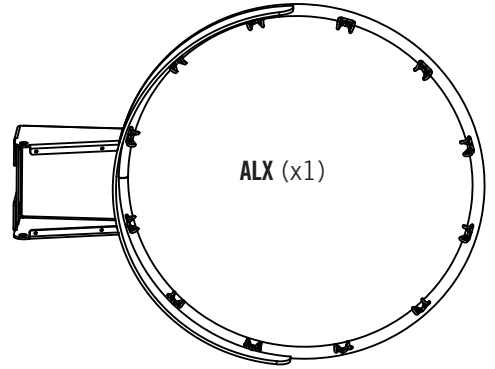
BGO (x2)



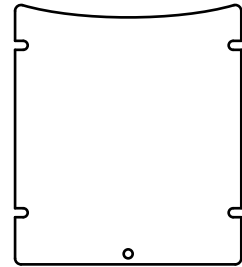
BGP (x2)



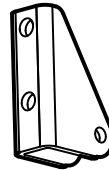
ALS (x2)



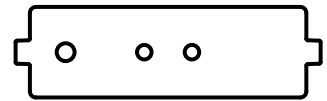
ALX (x1)



AMA (x1)



ALL (x1)



BLC (x1)



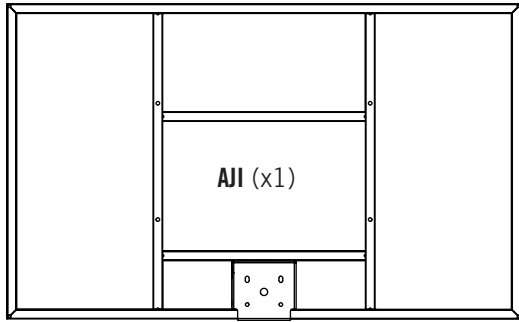
BGR (x1)

*Remove this yellow section for use as a quick reference*

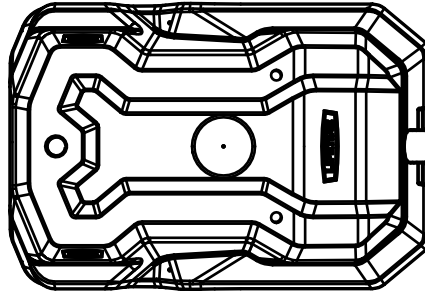


# PARTS IDENTIFIER

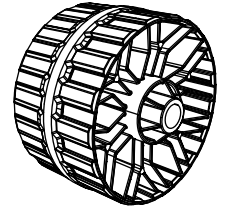
## Plastic Parts



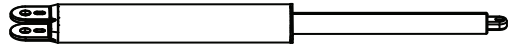
AJI (x1)



AJM (x1)



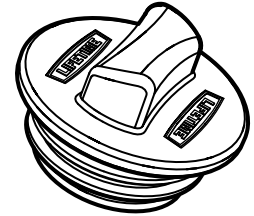
AMU (x2)



AKF (x1)



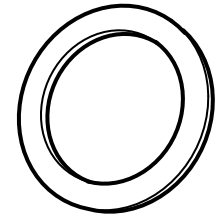
ALM (x1)



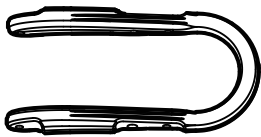
FIQ (x1)



AKG (x1)



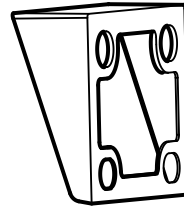
FIR (x1)



AKI (x1)



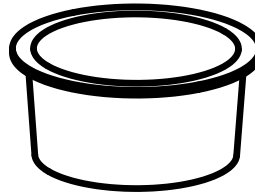
AMN (x1)



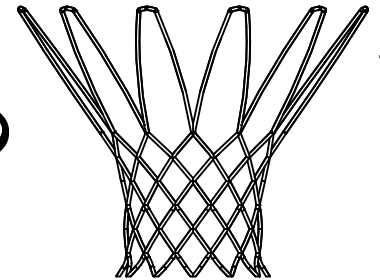
ALD (x1)



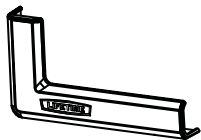
AJQ (x1)



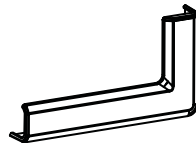
AEF (x2)



AKZ (x1)



BAA (x2)



BAB (x1)



AKP (x1)

*Remove this yellow section for use as a quick reference*



# HARDWARE REQUIRED



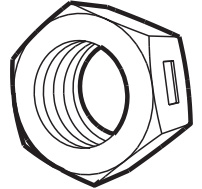
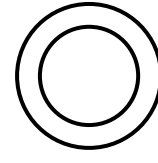
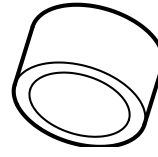
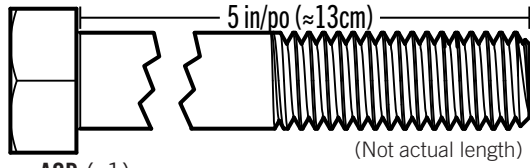
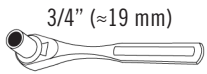
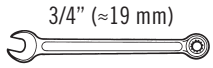


*This page intentionally left blank*

*Remove this yellow section for use as a quick reference*

## SECTION 4 (CONTINUED)

### TOOLS AND HARDWARE REQUIRED

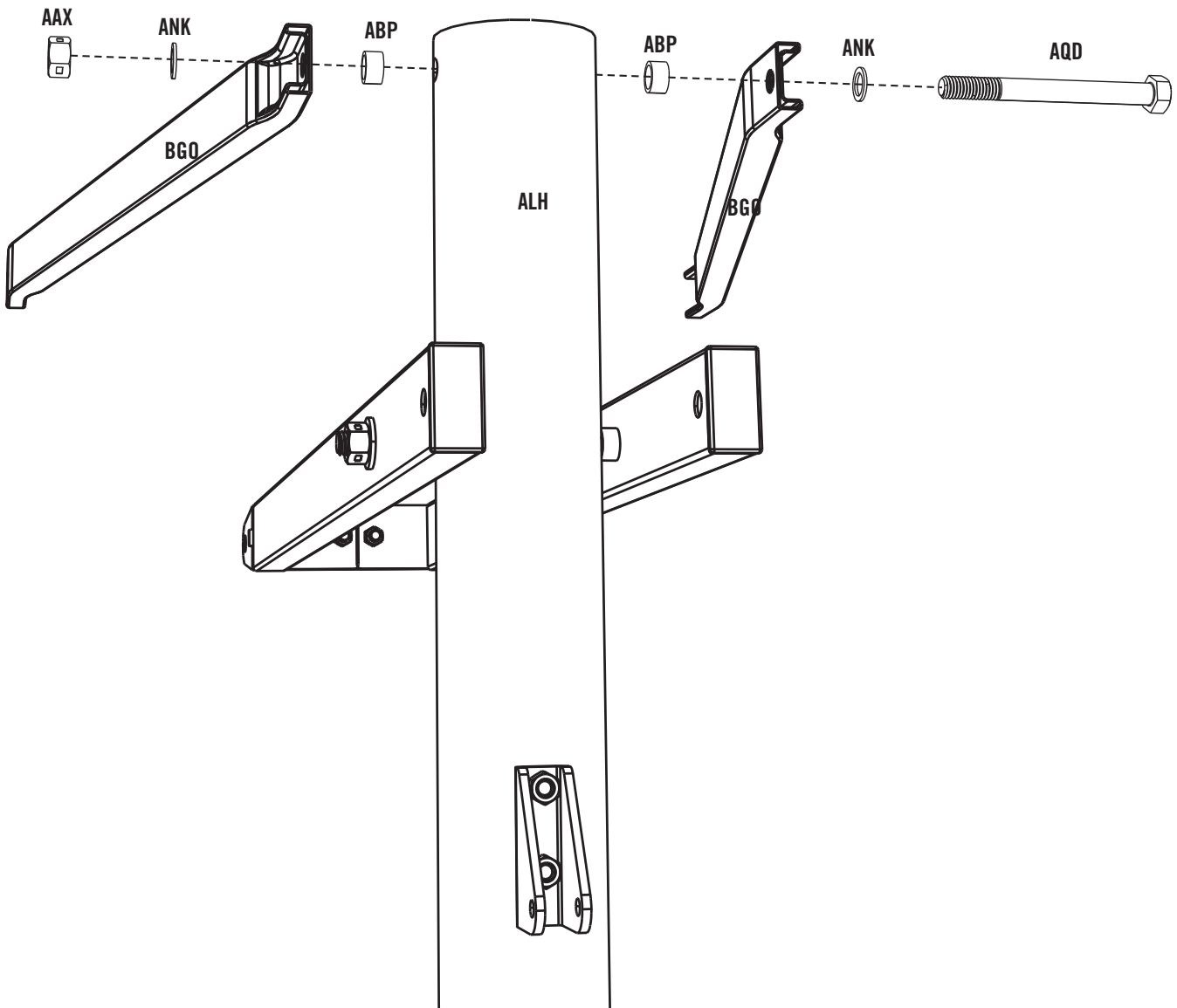


## 4.6

- Attach the **Upper Extension Arms (BGO)** to the **Top Pole (ALH)** with the hardware shown. If necessary, use a Rubber Mallet to tap the bolt into place.

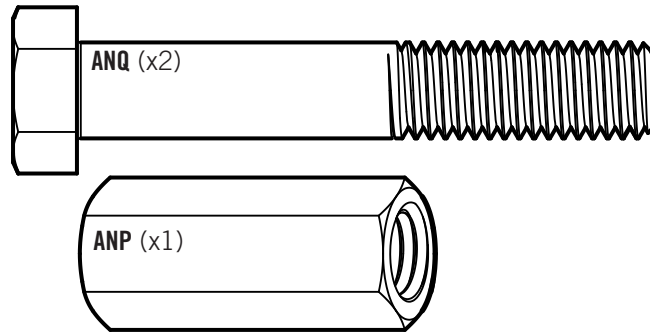
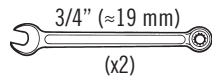
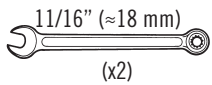


- *Tighten the Centerlock Nut (AAX) until it is flush with the end of the Bolt.*



## ► SECTION 4 (CONTINUED)

### TOOLS AND HARDWARE REQUIRED



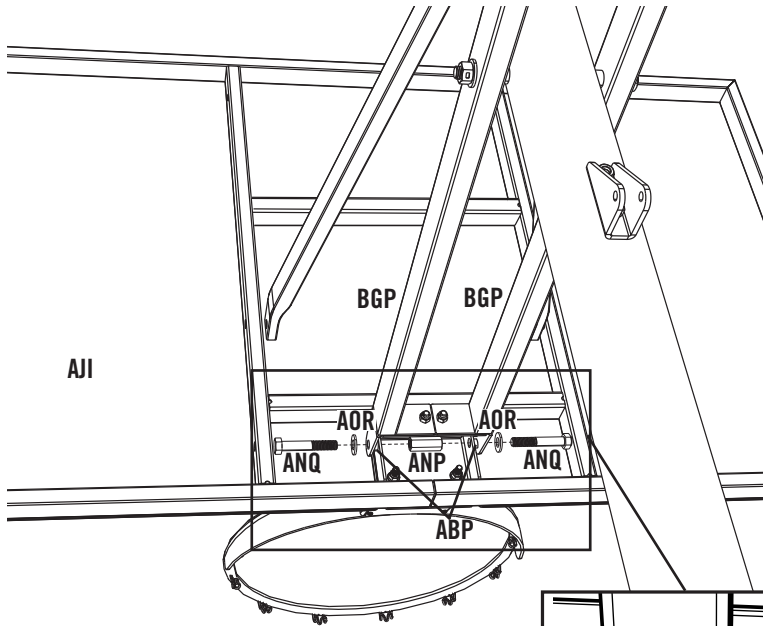
# 4.7



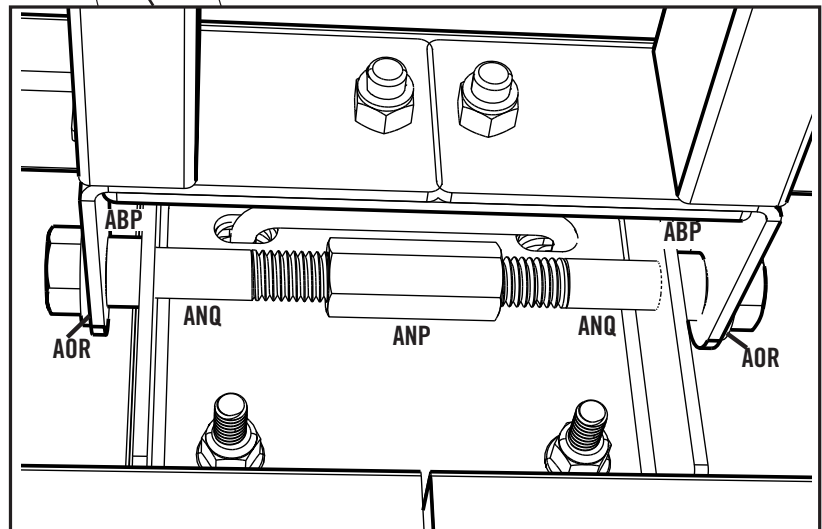
**CAUTION: HAVE ONE ADULT HOLD THE BACKBOARD IN PLACE UNTIL ASSEMBLY HAS BEEN COMPLETED!**



- Lay the Backboard and Rim assembly next to the Pole assembly. Rest the Rim on cardboard to prevent scratching. Then secure the **Lower Extension Arms (BGP)** to the **Backboard (AJI)** with the hardware shown. Center the **Bolts with Nylon Patches (ANQ)** onto the **Nut Coupler (ANP)** as shown.

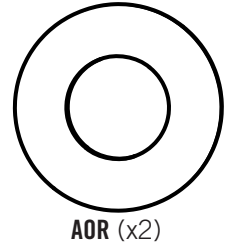
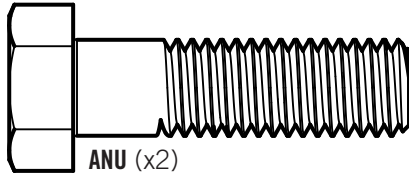
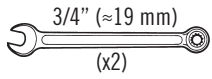


- *Make sure that the Plastic Spacers (ABP) do not bulge.*



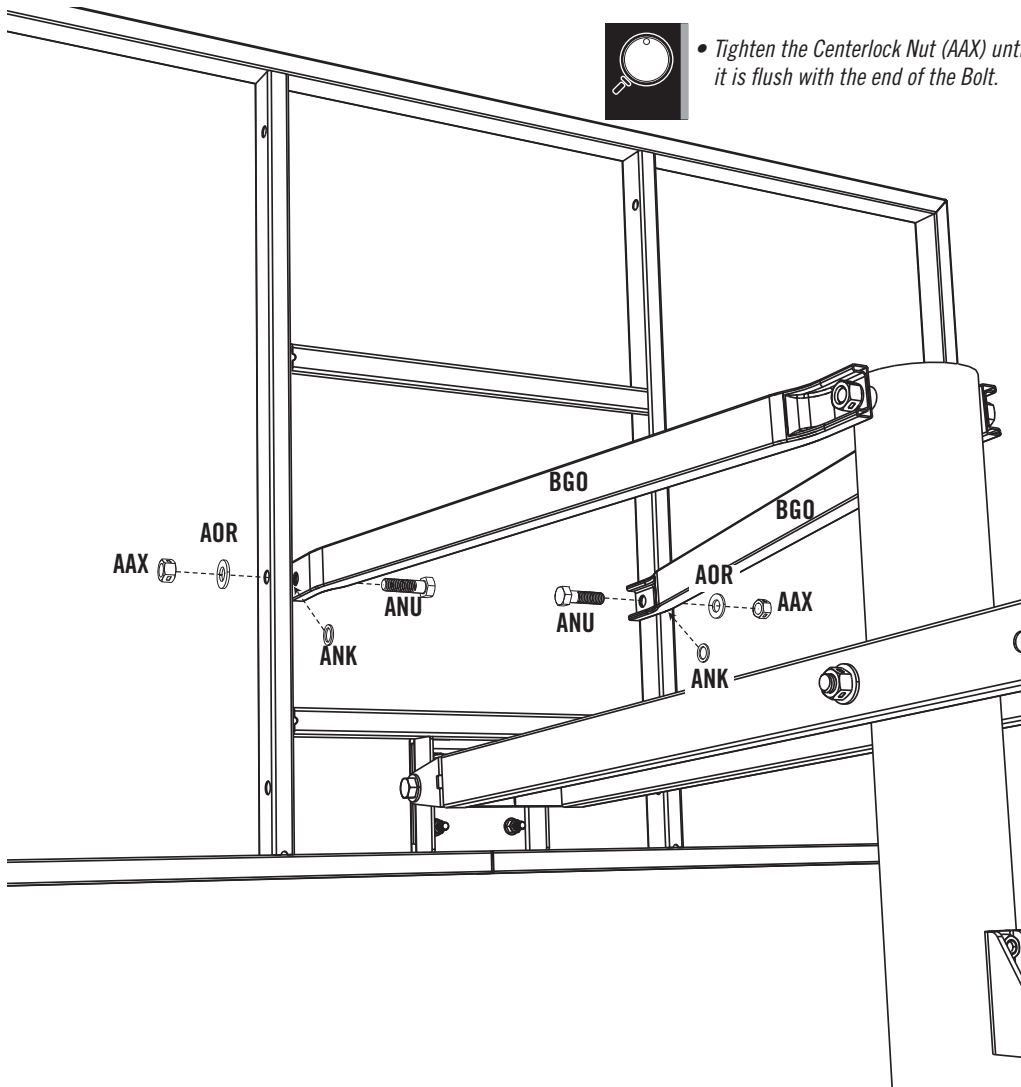
## SECTION 4 (CONTINUED)

TOOLS AND HARDWARE REQUIRED



### 4.8

- Attach the **Upper Extension Arms (BGO)** to the **Backboard (AJI)** with the hardware shown.



## ► SECTION 4 (CONTINUED)

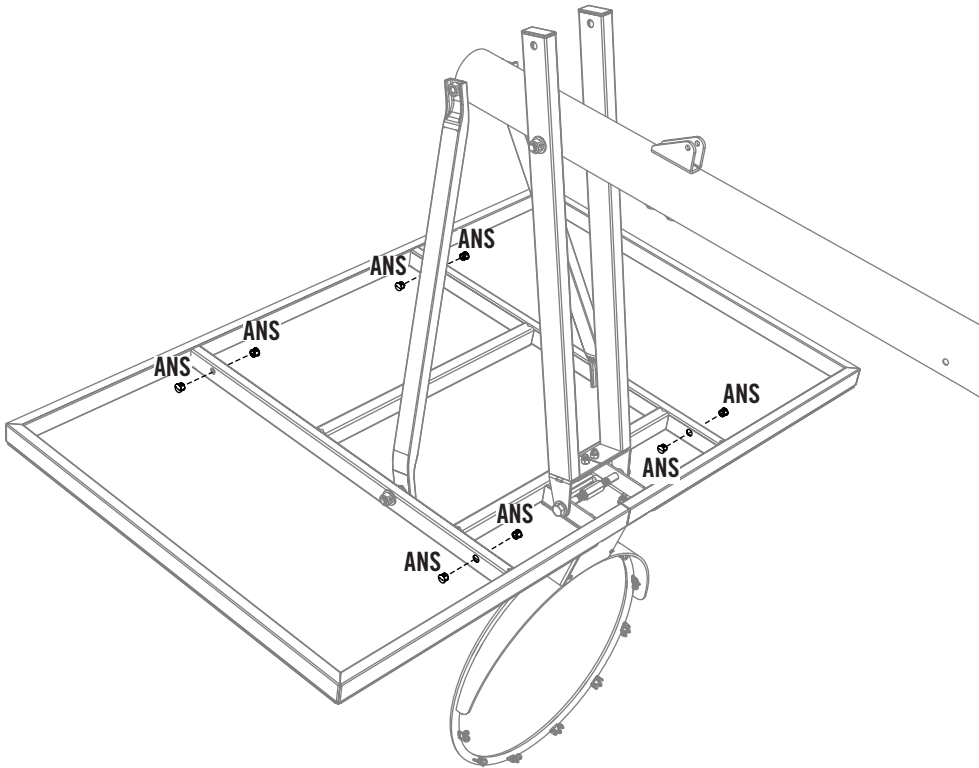
TOOLS AND HARDWARE REQUIRED



ANS (x8)

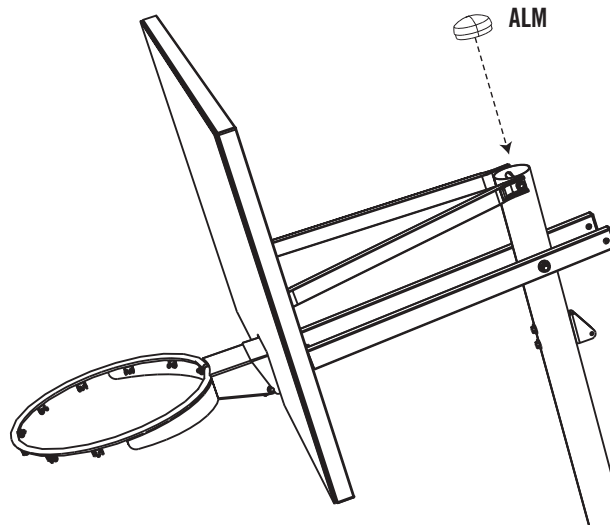
### 4.9

- Insert **Nylon Plugs (ANS)** into the locations indicated on the back of the Backboard.



### 4.10

- Insert the **Pole Cap (ALM)** into the end of the Top Pole.

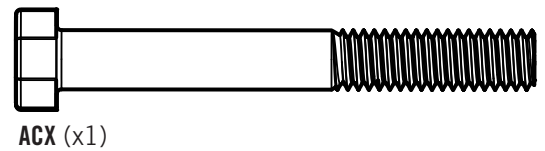
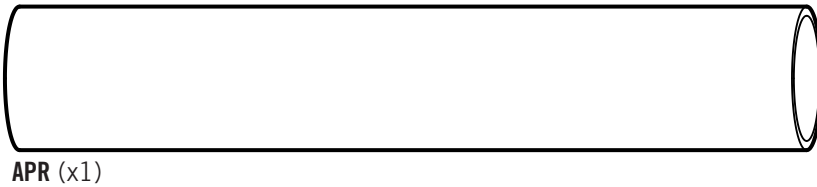
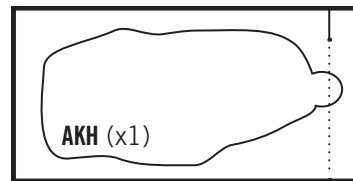
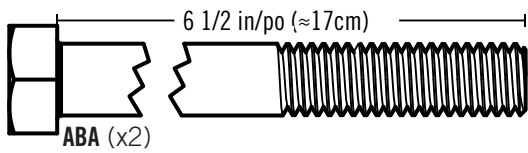
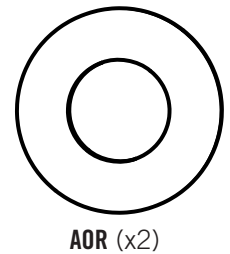
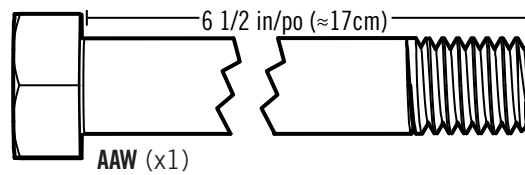
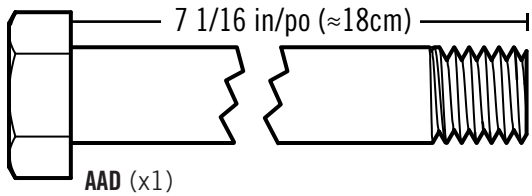
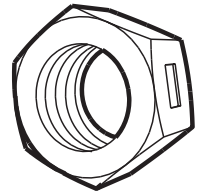
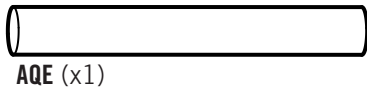


# 5

## HANDLE ASSEMBLY

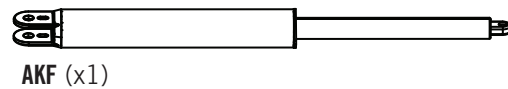
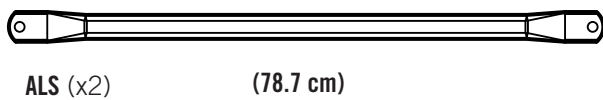


### HARDWARE REQUIRED

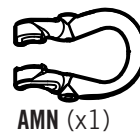
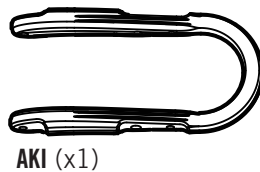


### PARTS REQUIRED

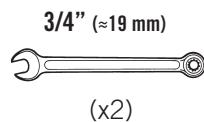
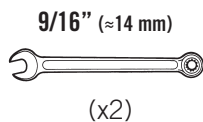
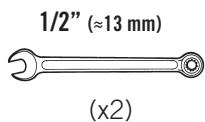
#### Metal Part



#### Plastic Parts

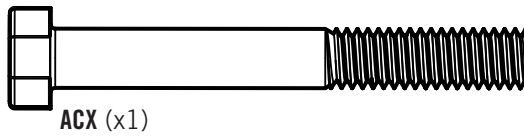
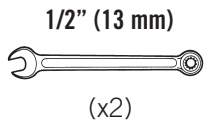


### TOOLS REQUIRED



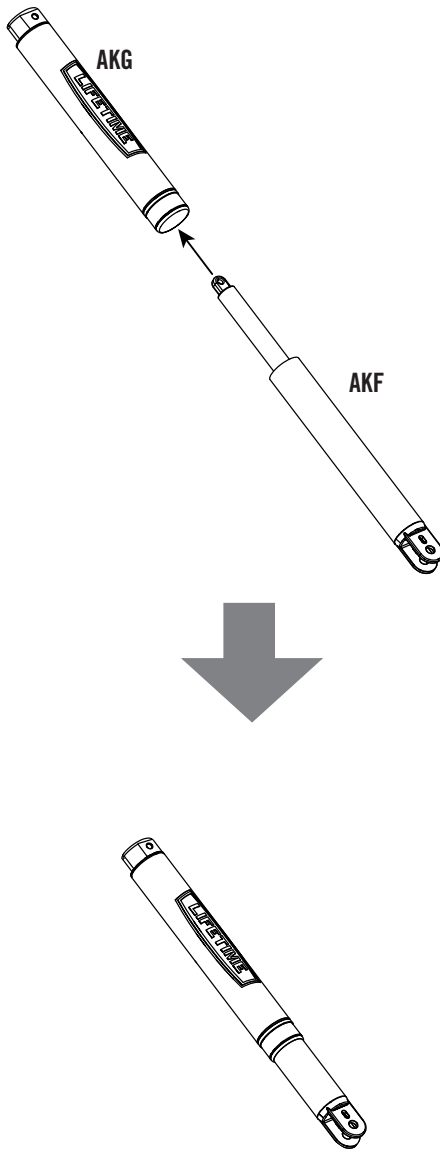
## ► SECTION 5 (CONTINUED)

TOOLS AND HARDWARE REQUIRED



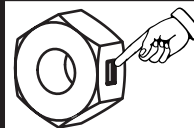
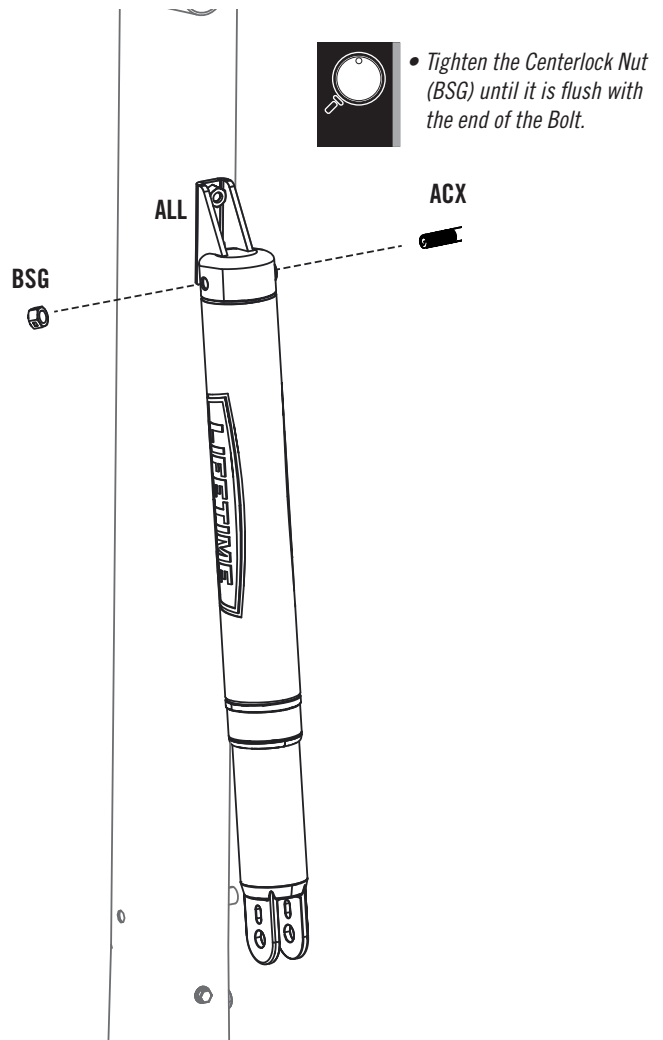
### 5.1

- Slide the **Gas Spring Cover (AKG)** onto the **Gas Spring (AKF)** as shown.



### 5.2

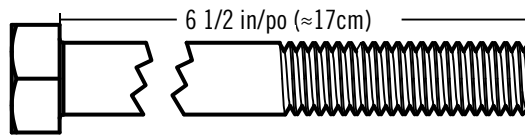
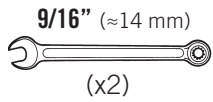
- Align the holes in the **Gas Spring Cover (AKG)** and the **Gas Spring (AKF)** with the holes in the **Pole Bracket (ALL)**, and attach the Gas Spring assembly to the Pole Bracket with the hardware shown.



- A Centerlock Nut will require some effort to thread onto a Bolt. See page 2 for details.

## ► SECTION 5 (CONTINUED)

TOOLS AND HARDWARE REQUIRED



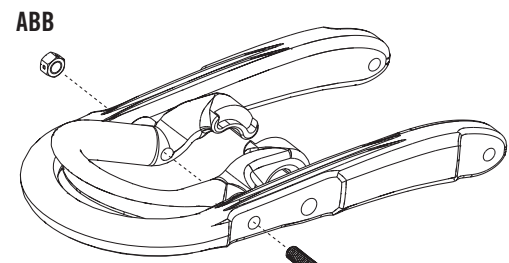
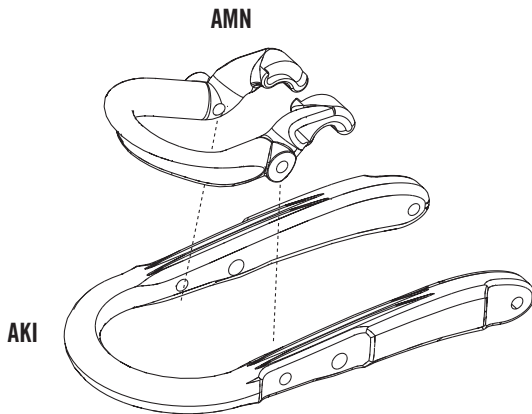
ABA (x1)



ABB (x1)

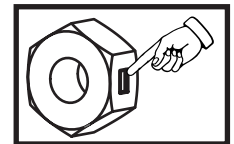
### 5.3

- Position the **Trigger (AMN)** inside of the **Handle (AKI)** as shown, and secure the Trigger to the Handle with the hardware shown.



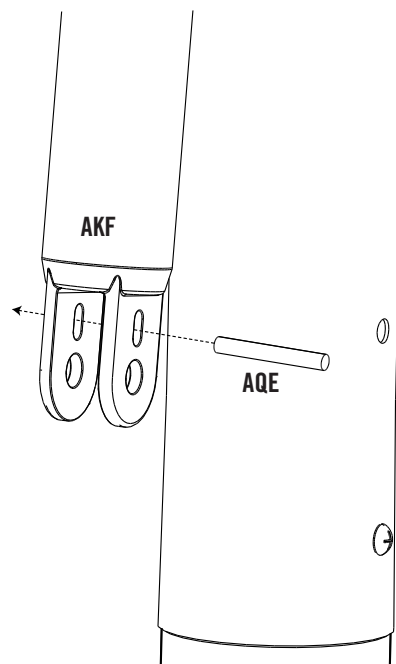
- Tighten the Centerlock Nut (ABB) until it is flush with the end of the Bolt.

ABA



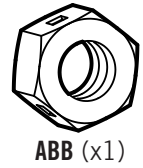
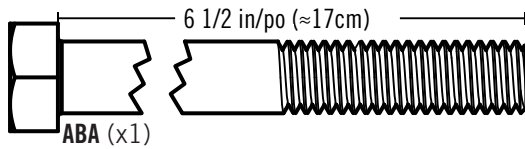
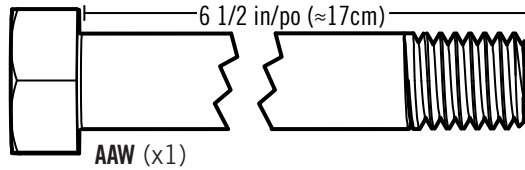
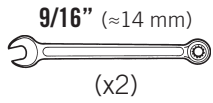
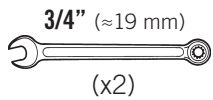
### 5.4

- Insert the **Release Pin (AQE)** through the **Gas Spring (AKF)**.



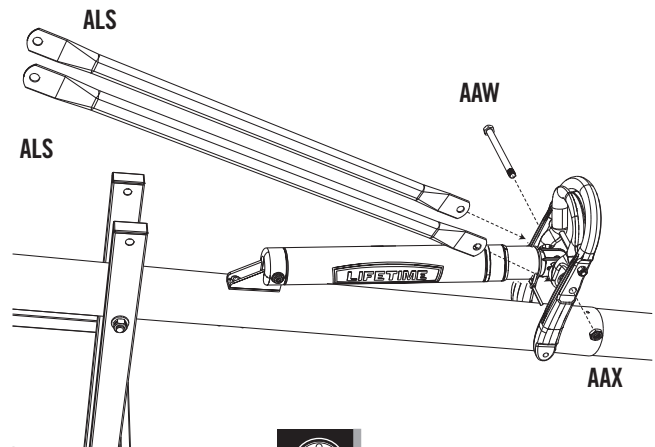
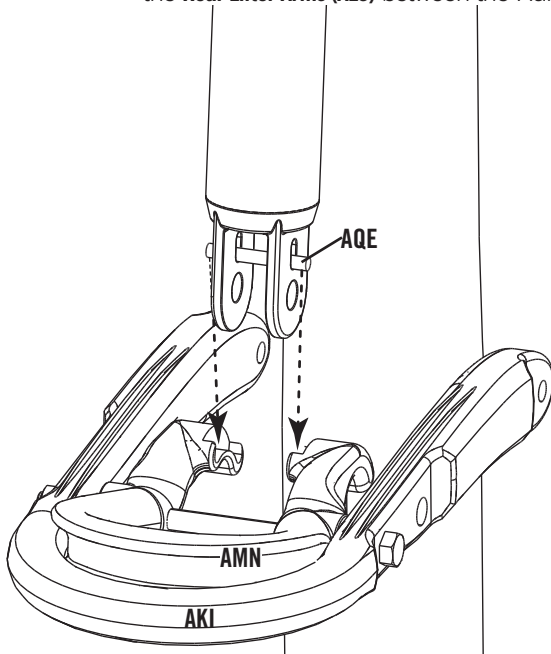
## SECTION 5 (CONTINUED)

TOOLS AND HARDWARE REQUIRED

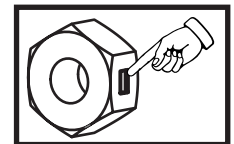


### 5.5

- Slide the **Handle (AKI)** under the **Gas Spring (AKF)** so that the **Release Pin (ALV)** rests in the channels of the **Trigger (AMN)**. Position the **Rear Lifter Arms (ALS)** between the Handle and Trigger, and secure with the hardware shown.

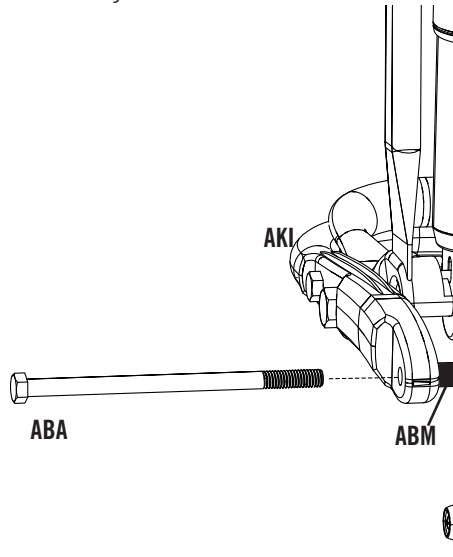


- Tighten the **Centerlock Nut (AAX)** until it is flush with the end of the **Bolt**.



### 5.6

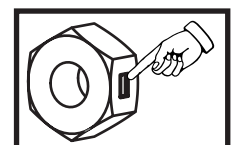
- Secure the **Handle (AKI)** to the **Middle Pole (ALF)** with the hardware shown. Make sure to place the **Spacers (ABM)** between the Handle Assembly and the Middle Pole as shown.



ALF

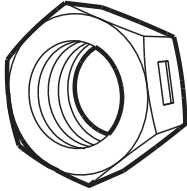
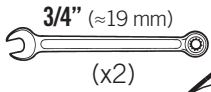


- Tighten the **Centerlock Nut (ABB)** until it is flush with the end of the **Bolt**.

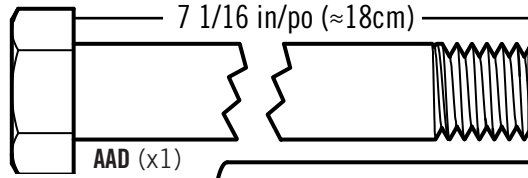


## SECTION 5 (CONTINUED)

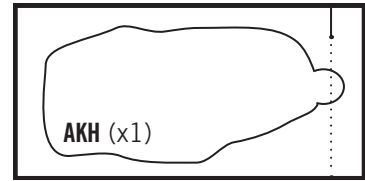
TOOLS AND HARDWARE REQUIRED



AAX (x1)



AAD (x1)



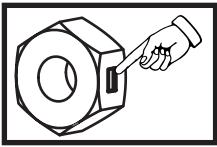
AKH (x1)



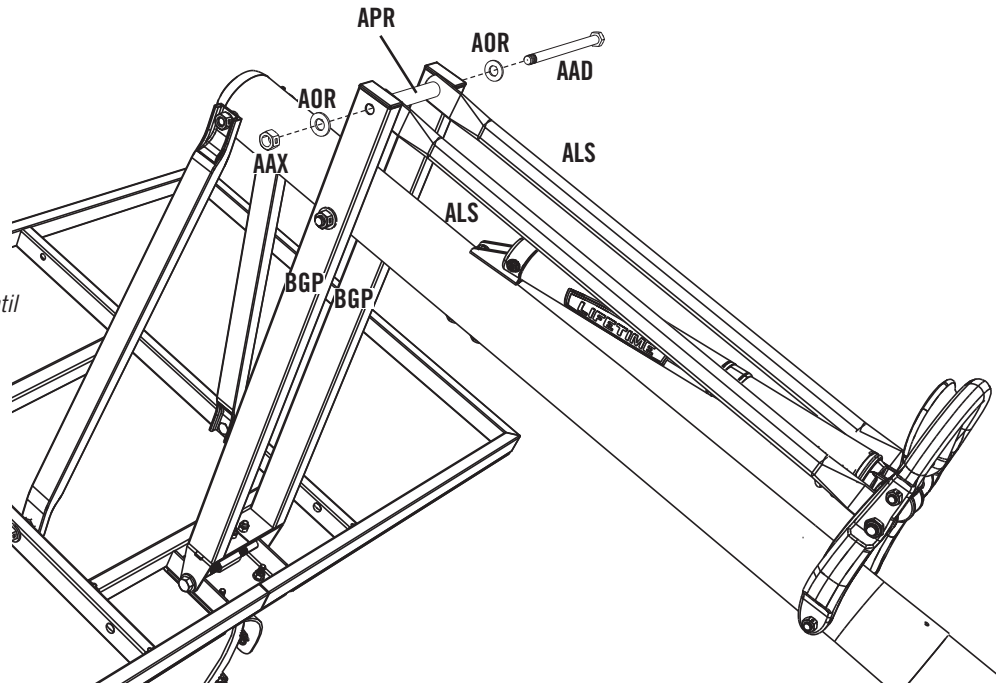
APR (x1)

### 5.7

- Connect the **Rear Lifter Arms (ALS)** to the inside of the **Lower Extension Arms (BGP)** with the hardware shown. Place a **Spacer (APR)** between the Rear Lifter Arms as shown.

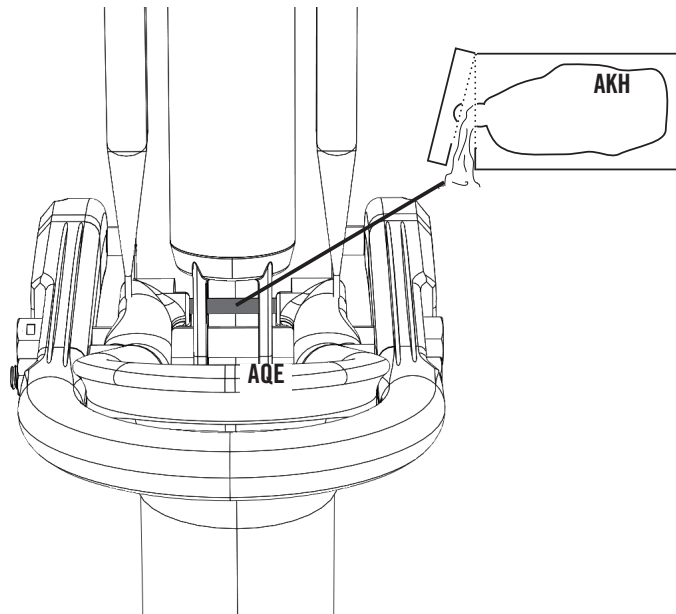


- Tighten the **Centerlock Nut (AAX)** until it is flush with the end of the Bolt.



### 5.8

- Apply grease from the **Grease Packet (AKH)** on to the **Release Pin (ALV)**.



# 6

## FINAL ASSEMBLY



### HARDWARE REQUIRED

#### Hardware Bag



ADP (x10)

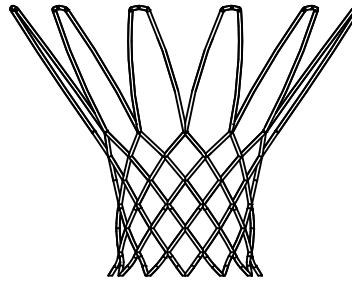


### PARTS REQUIRED

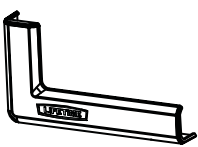
#### Plastic Parts



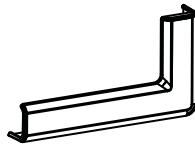
AJQ (x1)



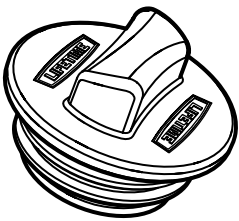
AKZ (x1)



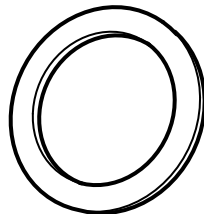
BAA (x2)



BAB (x1)



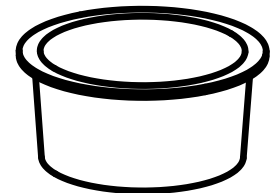
FIQ (x1)



FIR (x1)



AKP (x1)



AEF (x2)



### TOOLS REQUIRED



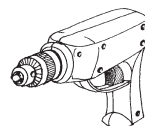
(x1)



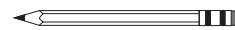
(x1)



325 lb (147kg)



(x1)



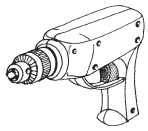
(x1)



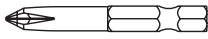
(x1)

## ► SECTION 6 (CONTINUED)

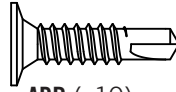
TOOLS AND HARDWARE REQUIRED



(x1)



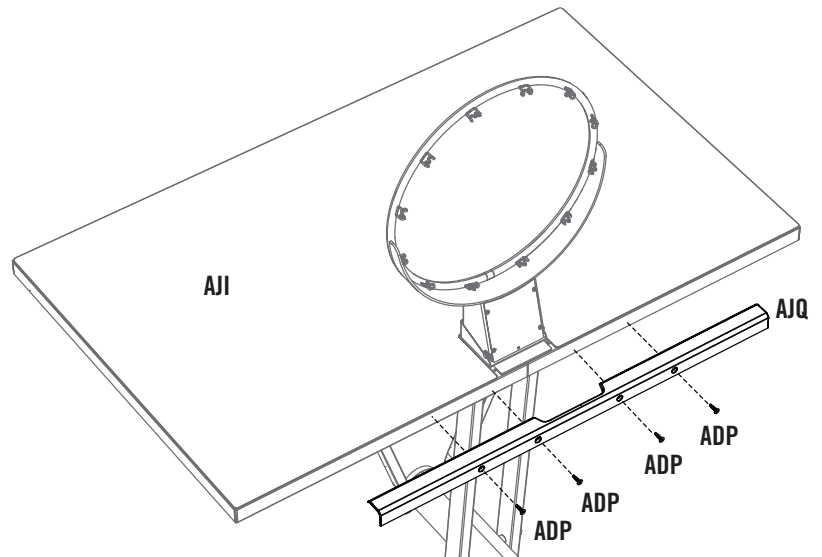
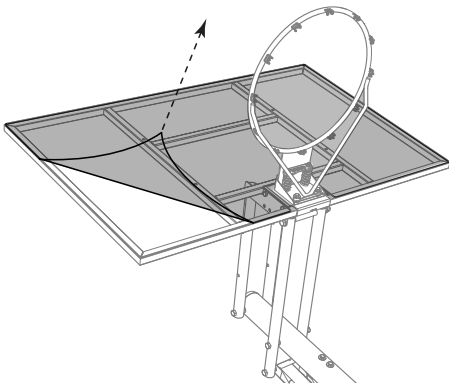
(x1)



ADP (x10)

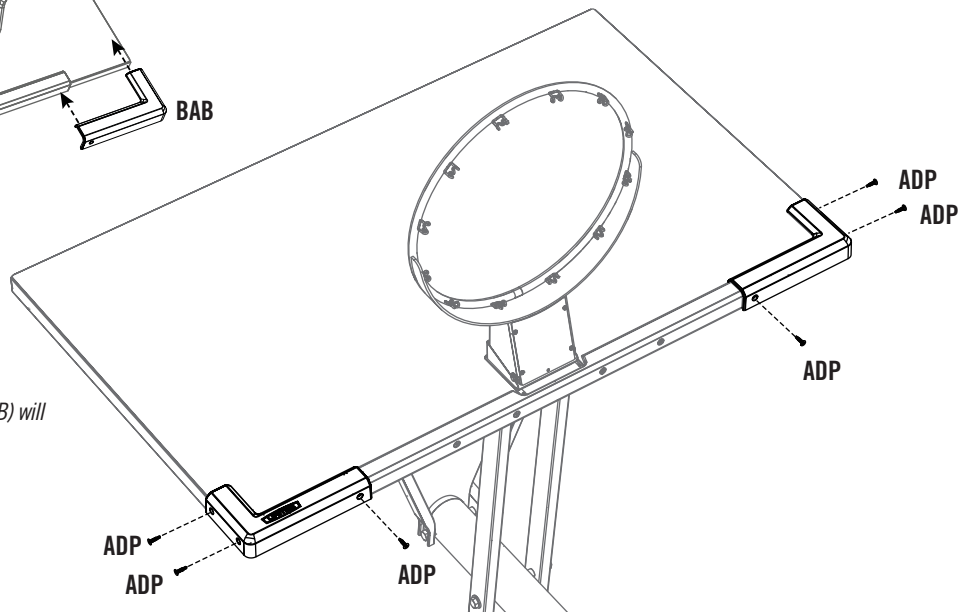
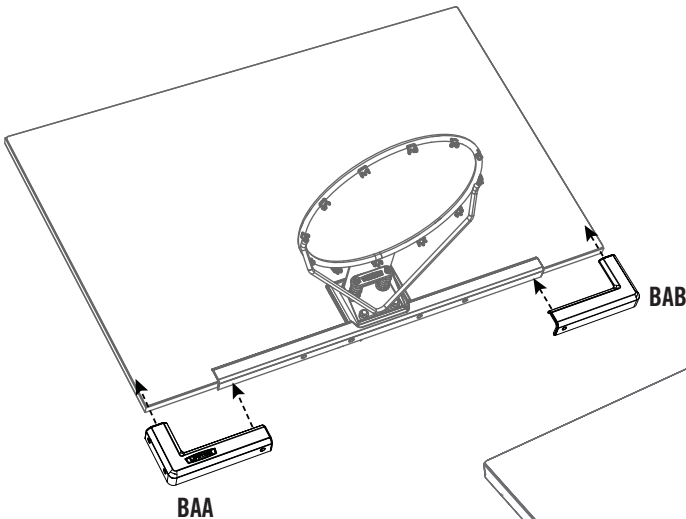
### 6.1

- Remove the plastic film from the **Backboard (AJI)**, and attach the **Center Frame Pad (AJQ)** to the Backboard in the location shown with the hardware indicated. Make sure that the Center Frame Pad is oriented and centered on the metal piece of the Backboard.



### 6.2

- Attach the **Corner Frame Pads (BAA and BAB)** to the Backboard in the locations indicated with the hardware indicated.



- The Corner Frame Pads (BAA and BAB) will overlap the Center Frame Pad (AJQ).

## ▶ SECTION 6 (CONTINUED)

### TOOLS AND HARDWARE REQUIRED



325 lb (≈147kg)



(x1)



## 6.3a

- To prevent serious injuries, the pole should be held down by one adult at all times while the other fills the base.

### Option a: filling the base with sand: (325 lb (≈147 kg) of sand required)

1. Insert a **plug (AEF)** into each of the two holes in the base (Fig. 1).
2. Using a funnel, fill the base with sand (Fig. 2).
3. Using two adults, stand the base up on a smooth surface and continue filling until you have, at least, 325 lb (≈147kg) of sand in the base.
4. Place the **gasket (FIR)** onto the **cap (FIQ)** and screw the cap onto the base until tight (Fig. 3).

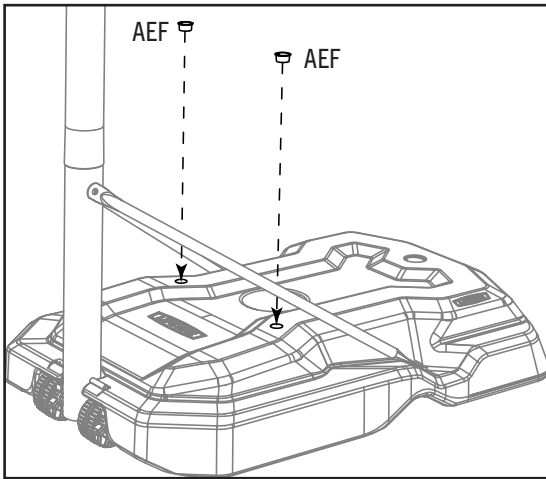


Fig. 1

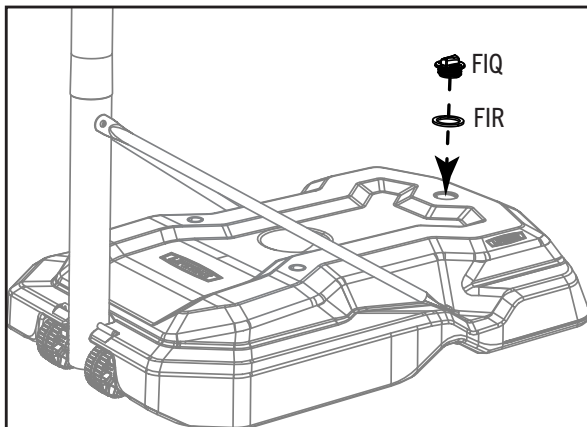


Fig. 3



Fig. 2

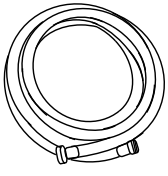


## WARNING

For safety reasons, we recommend that sand be used instead of water to fill the Base. If a leak develops, water could run out unnoticed, allowing the system to fall over, resulting in serious personal injuries, or property damage. If using Water, check the Base carefully for leaks. If a leak is found, lay the system down on the ground and call Customer Service. Do not use, stand up, or play on a leaking system.

## SECTION 6 (CONTINUED)

### TOOLS AND HARDWARE REQUIRED



(x1)



## 6.3b

- To prevent serious injuries, the pole should be held down by one adult at all times while the other fills the base.

### Option b: filling the base with water:

1. Insert a **plug (AEF)** into each of the two holes in the base (Fig. 1).
2. Using a hose, fill the base with cold water up to the fill hole, leaving two inches of space at the top for expansion (Fig. 2).
3. Add one tablespoon of chlorine bleach to the water to prevent algae formation.
4. Using two adults, stand the base up on a smooth surface.
5. Place the **gasket (FIR)** onto the **cap (FIQ)** and screw the cap onto the base until tight (Fig. 3).
6. Check for leaks.

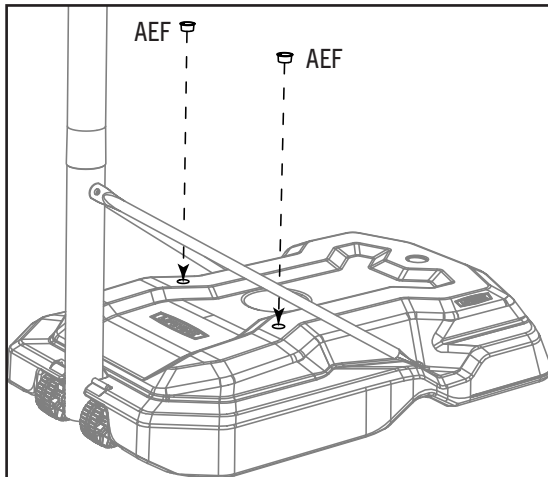


Fig. 1

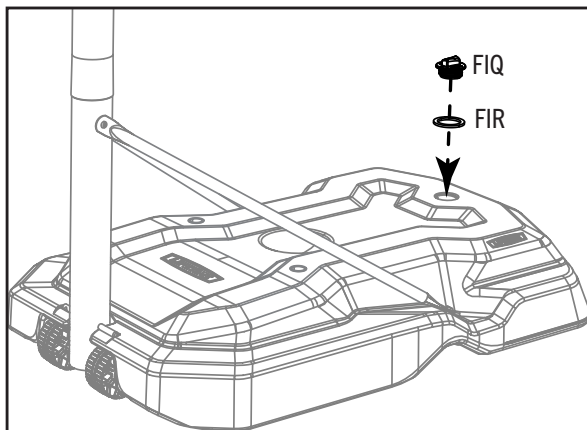


Fig. 3

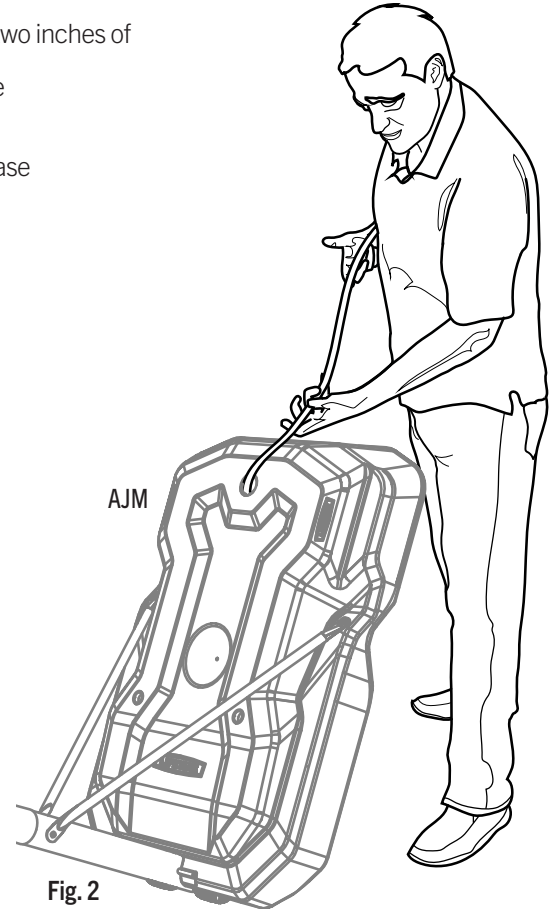


Fig. 2



## WARNING

For safety reasons, we recommend that sand be used instead of water to fill the Base. If a leak develops, water could run out unnoticed, allowing the system to fall over, resulting in serious personal injuries, or property damage. If using Water, check the Base carefully for leaks. If a leak is found, lay the system down on the ground and call Customer Service. Do not use, stand up, or play on a leaking system.

## ► SECTION 6 (CONTINUED)

### TOOLS AND HARDWARE REQUIRED

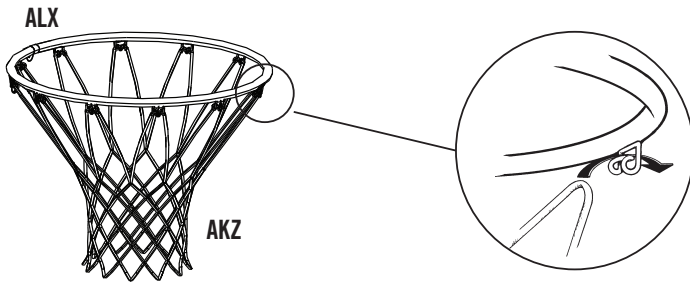


(x1)



## 6.4

- Attach the **Net (ALX)**.



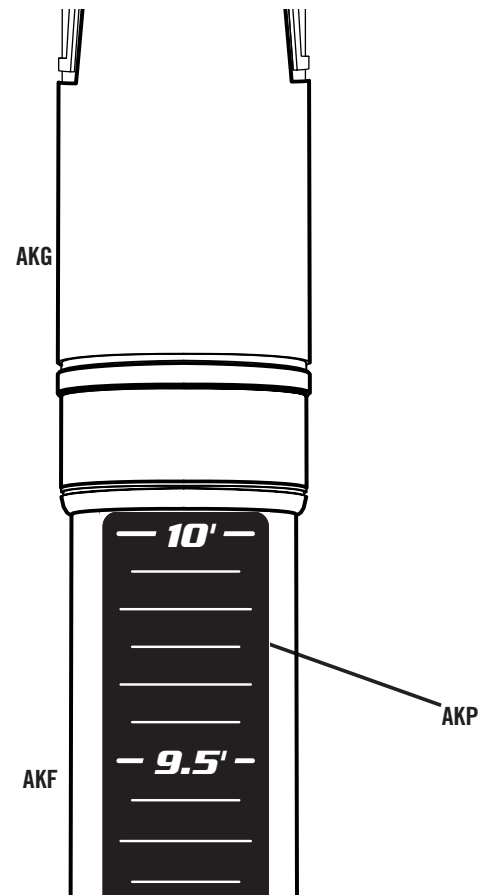
- *If a replacement Net is needed, please call our Customer Service Department. Our Nets are shorter than average to reduce the risk of entanglement.*

## 6.5

- Raise the Backboard until the top of the Rim measures 10 feet from the playing surface. Apply the **Height Adjustment Sticker (AKP)** onto the **Gas Spring (GFL)**, lining up the edge of the **Gas Spring Cover (AKG)** with the 10-foot mark on the sticker. Press the sticker into place while carefully removing the rest of the backing.



- *Actual Height Sticker (AKP) and Gas Spring Cover (AKG) may vary from those shown here.*





## MAINTENANCE INSTRUCTIONS

The life of your basketball system depends on many variables. The climate, exposure to corrosives such as salt, pesticides, or herbicides, and excessive use or misuse can all contribute to Pole failure, which may cause property damage or personal injury.

Check your basketball system frequently for loose hardware, excessive wear, and signs of corrosion. For safety reasons, and to prolong the life of your basketball system, you must take the following preventive measures.

- a. Check all nuts and bolts. If any are loose, tighten them.
- b. Check all parts for excessive wear and tear. If necessary, replace any parts that have been worn or damaged through usage. Contact our customer service department for replacement parts.
- c. Inspect the warning sticker on the pole. If it is ripped, faded, or illegible, call our customer service department to request a replacement sticker.
- d. Check all pole sections for visible rust or chipped or cracked paint. If either are present, do the following:
  1. Use an emery cloth to completely remove any rust or chipped paint.
  2. Clean the area with a damp cloth and allow it to dry.
  3. Apply two coats of a rust preventative, high gloss enamel paint to the area. Allow the paint to dry between coats.

**IF RUST HAS PENETRATED THROUGH THE POLE ANYWHERE, REPLACE IT IMMEDIATELY!**



## REGISTER YOUR PRODUCT ONLINE AT [WWW.LIFETIME.COM](http://WWW.LIFETIME.COM)

At Lifetime®, we are committed to providing innovative and quality products. While registering, you will have the opportunity to give us your feedback. Your input is valuable to us.

- You can also opt in to receive new product notifications or promotions.
- In the unlikely event of a product recall or safety modification, your registration provides the information we need to notify you directly.
- Registration is fast, easy, and completely voluntary.

### LIFETIME'S PROMISE TO YOU:

*Maintaining your privacy is our long-standing policy at Lifetime®. And you can rest assured that Lifetime® will not sell or provide your personal data to other third parties, or allow them to use your personal data for their own purposes.*

We invite you to read our privacy policy at [www.lifetime.com](http://www.lifetime.com)

**REGISTER today!**



## NOTES



## NOTES



## WARNING STICKER / AUTOCOLLANT D'AVERTISSEMENT / ETIQUETA DE ADVERTENCIA



### WARNING

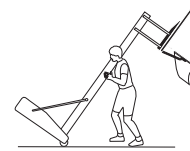


#### **FAILURE TO FOLLOW THESE WARNINGS MAY RESULT IN SERIOUS INJURY AND/OR PROPERTY DAMAGE.**

Owners must ensure that all players know and follow these rules for safe operation of the system.

- Only hang from the rim briefly to regain balance or avoid injuring others. Release the rim as soon as safely possible.
- During play, especially when performing dunk type activities, keep player's face away from the backboard, rim, and net. Serious injury could occur if teeth/face come in contact with the backboard, rim, or Net. Player should wear a mouth guard during play.
- Do not slide, climb, or play on base or pole.
- Completely fill base according to manufacturer's instructions. Never leave the unit standing in an upright position without first filling the base with weight or the system will tip quickly causing serious personal injury.
- When adjusting height or moving system, keep hands and fingers away from moving parts.
- Do not allow children to move or adjust system.
- Do not wear jewelry (rings, watches, necklaces, etc.) during play. Objects may entangle in net.
- Keep water and organic material away from pole base. Grass, litter, etc. could cause corrosion and/or deterioration.
- Never play on damaged equipment.
- Surface beneath the base must be smooth and free of gravel or other objects. Punctures cause leakage and could cause system to tip over.

- Once a month check pole and all metal parts for signs of corrosion (rust, pitting, chipping). Completely remove rust and repaint with exterior enamel. If rust has penetrated any steel part, replace that part immediately.
- Check system before each use for proper ballast, loose hardware, excessive wear, instability, and signs of corrosion and repair before use.
- Do not use system during windy or severe weather. System may tip over. Place system in an area protected from the wind or in an area away from property that may be damaged if the system falls, and from overhead power lines.
- Do not use the system to lift or hoist anything. The mechanism is designed to lift only the weight of the backboard and rim. Do not hang anything from the handle, rim, backboard, or lifter arms as this will damage the system and void the warranty.



### AVERTISSEMENT



### ADVERTENCIA



#### **FAUTE DE NE PAS SUIVRE CES AVERTISSEMENTS, VOUS RISQUEZ DE CAUSER DES BLESSURES GRAVES ET/OU DES DOMMAGES À L'ÉQUIPEMENT.**

Le propriétaire doit s'assurer que tous les joueurs connaissent et appliquent les règles suivantes afin d'utiliser l'équipement en toute sécurité.

- Ne pas se suspendre à l'anneau plus que nécessaire pour retrouver l'équilibre ou éviter de blesser les autres joueurs. Relâcher l'anneau aussitôt que possible.
- Lors d'un match, particulièrement dans le cas des smashes, le visage du joueur ne doit pas faire face au panneau, à l'anneau, ni au filet. Le joueur risque de graves blessures si ses dents ou son visage entrent en contact avec le panneau, l'anneau, ou le filet. Les joueurs doivent toujours porter un protège-dents lorsqu'ils jouent.
- Ne pas glisser, ne pas grimper, et ne pas jouer sur la base ou le poteau.
- Remplir complètement la base selon les instructions du fabricant. Ne jamais laisser l'unité debout de plein pied sans avoir d'abord rempli la base avec un poids ou l'équipement pourrait basculer rapidement et causer de graves blessures.
- Lors du réglage de la hauteur ou lors du déplacement de l'équipement, garder les mains et doigts loin des pièces mobiles.
- Ne pas permettre aux enfants de déplacer ou d'ajuster l'équipement.
- Ne pas porter de bijoux (bagues, montres, colliers, etc.) pendant le jeu. Ces objets pourraient s'accrocher au filet.
- La surface sur laquelle est posée la base doit être lisse et sans gravier ou tout autre objet qui pourrait troubler la base entraînant ainsi une fuite ce qui pourrait faire basculer l'équipement.
- Garder de l'eau et de la matière organique loin de la base. Le gazon, les déchets, etc. pourraient provoquer la corrosion et/ou la détérioration.
- Une fois par mois, vérifier que le poteau et toutes les pièces en métal ne montrent pas de signes de corrosion (rouille, piqûres, écaillage). Enlever toute la rouille et repeindre complètement avec une peinture pour extérieur. Si la rouille a pénétré une des pièces en acier, il faut la remplacer immédiatement la pièce en question.
- Chaque fois avant d'utiliser le système, vérifier d'abord l'équilibre, la possibilité de pièces desserrées ou usées, la stabilité de l'équipement et tout signe de corrosion ou réparation nécessaire avant utilisation.
- Ne jamais jouer avec un équipement endommagé.
- Ne pas utiliser l'équipement lors de fortes rafales de vent ou de mauvais temps. L'équipement pourrait basculer. Placer l'équipement dans un endroit abrité du vent ou loin des structures qu'il pourrait endommager s'il basculait, et loin des fils électriques.
- Ne pas utiliser l'équipement pour lever ou soulever quoique ce soit. Son mécanisme a été conçu uniquement pour soutenir le poids du panneau et de l'anneau. Ne rien accrocher au manche, à l'anneau, au panneau ni aux leviers sous peine d'endommager l'équipement et d'annuler la garantie.

#### **SI NO SE OBEDECEN ESTAS ADVERTENCIAS PUEDEN PRODUCIRSE GRAVES LESIONES Y/O DAÑOS A LA PROPIEDAD.**

El propietario del sistema debe asegurarse de que todos los jugadores conozcan y respeten estas reglas para que el sistema se use en forma segura.

- Colgarse del aro sólo en forma breve, para recuperar el equilibrio o evitar lesionar a otros jugadores. Soltarse del aro lo más pronto que pueda hacerlo con seguridad.
- Durante el juego, especialmente al embocar violentamente de alto, la cara de los jugadores debe mantenerse alejada del tablero, el aro y la red. Pueden producirse lesiones graves si los dientes o la cara entran en contacto con el tablero, el aro o la red. Los jugadores deben usar un protector bucal durante el juego.
- No deslizarse, no trepar ni jugar sobre la base o el poste.
- Llenar la base completamente siguiendo las instrucciones del fabricante. Nunca dejar la unidad en posición de uso sin haber llenado previamente la base con material de contrapeso, pues el sistema podría tumbarse rápidamente y causar graves lesiones personales.
- Mantener las manos y los dedos alejados de las piezas móviles al regular la altura o al desplazar el sistema.
- No dejar que los niños regulen ni desplacen el sistema.
- No usar joyas (anillos, relojes, collares o gargantillas, etc.) durante el juego. Estos objetos pueden engancharse en la red.
- La superficie donde se coloque la base debe estar lisa y desprovista de piedras, grava u otros objetos. Las perforaciones pueden originar pérdidas, y éstas pueden hacer que el sistema se tumbe.
- Guardar agua y materia orgánica. Césped, basura, etc., podrían causar corrosión et/o deterioros.
- Controlar el poste y todas las piezas metálicas una vez al mes en busca de signos visibles de corrosión (oxidación, picaduras, escamado). Eliminar todo rastro de óxido y volver a pintar con esmalte para exteriores. Si el óxido ha penetrado cualquier pieza de acero, reemplazar esa pieza de inmediato.
- Inspeccionar el sistema antes de cada uso para verificar que esté adecuadamente contrapesado, que los elementos de fijación no estén flojos, que no haya desgaste excesivo, inestabilidad ni signos de corrosión. Al encontrar irregularidades, repararlas antes de usar el sistema. Nunca jugar con un equipo dañado.
- No usar el sistema en presencia de vientos fuertes o condiciones climáticas adversas, ya que puede tumbarse. Colocar la unidad en una posición de almacenamiento y/o en una zona a resguardo del viento, lejos de propiedades personales que puedan dañarse si el sistema se cae, y de líneas de suministro de energía.
- No usar el sistema para levantar ningún objeto. El mecanismo está diseñado para elevar solamente el peso del tablero con el aro. No colgar nada de la agarradera, el aro, el tablero ni los brazos de elevación, ya que esto puede dañar el sistema y anular la garantía.

[www.lifetime.com](http://www.lifetime.com)

Lifetime Products, Inc., Clearfield, UT 84016

1-800-225-3865

11/23/2015



## 5-YEAR LIMITED FACTORY WARRANTY

**THE MANUFACTURER RESERVES THE RIGHT TO MAKE SUBSTITUTIONS TO WARRANTY CLAIMS IF PARTS ARE UNAVAILABLE OR OBSOLETE.**

1. Lifetime basketball systems are warranted to the original purchaser to be free from defects in material or workmanship for a period of five years (60 months) from the date of original retail purchase. The word “defects” is defined as imperfections that impair the use of the product. Defects resulting from misuse, abuse or negligence will void this warranty. This warranty does not cover defects due to improper installation, alteration or accident. This warranty does not cover damage caused by vandalism, rusting, “acts of nature” or any other event beyond the control of the manufacturer.
2. This warranty is nontransferable and is expressly limited to the repair or replacement of defective product. If the product is defective within the terms of this warranty, Lifetime Products, Inc. will repair or replace defective parts at no cost to the purchaser. Shipping charges to and from the factory or distribution center are not covered and are the responsibility of the purchaser. Labor charges and related expenses for removal, installation or replacement of the product or its components are not covered under this warranty.
3. This warranty does not cover scratching or scuffing of the product that may result from normal usage. In addition, defects resulting from intentional damage, negligence, unreasonable use or hanging from the rim will void this warranty.
4. Liability for incidental or consequential damages is excluded to the extent permitted by law. While every attempt is made to embody the highest degree of safety in all equipment, freedom from injury cannot be guaranteed. The user assumes all risk of injury resulting from the use of this product. All merchandise is sold on this condition, and no representative of the company may waive or change this policy.
5. This product is not intended for institutional or commercial use; Lifetime Products, Inc. does not assume any liability for such use. Institutional or commercial use will void the warranty.
6. Our goods come with guarantees that cannot be excluded under the Australian Consumer Law. You are entitled to a replacement or refund for a major failure and for compensation for any other reasonably foreseeable loss or damage. You are also entitled to have the goods repaired or replaced if the goods fail to be of acceptable quality and the failure does not amount to a major failure.
7. This warranty is expressly in lieu of all other warranties, expressed or implied, including warranties of merchantability or fitness for use to extent permitted by Federal and state law. Neither Lifetime Products, Inc., nor any representative assumes any other liability in connection with this product. This warranty gives you specific legal rights, and you may also have other rights which vary from state to state.

**PLEASE INCLUDE YOUR DATED SALES RECEIPT AND PHOTOGRAPHS OF DAMAGED PARTS.**

**REPORT PRODUCT DEFECTS IN WRITING TO:**

Lifetime Products, Inc., PO Box 160010 Clearfield, UT 84016-0010 or dial 1-800-225-3865.

**REGISTER YOUR PRODUCT FOR QUICKER CUSTOMER SERVICE.**

Visit [www.lifetime.com](http://www.lifetime.com) or dial 1-800-225-3865 to register your product today.

**FOR INTERNATIONAL WARRANTY CLAIMS:**

All warranty claims must be accompanied by a sales receipt. Report all warranty claims in writing to your regional sales support representative. Please include your dated sales receipt and photographs of damaged parts.

To identify the representative for your region, please visit: [www.lifetime.com/international](http://www.lifetime.com/international)



[www.lifetime.com](http://www.lifetime.com)

**ENHANCE YOUR LIFETIME® PURCHASE BY ADDING ACCESSORIES OR OTHER GREAT PRODUCTS**

To purchase accessories or other Lifetime® products, visit us at:

**www.lifetime.com**

or dial 1-800-424-3865



www.lifetime.com

