

# Warranty

Our office chair come with a 1- year warranty from the date of purchase.  
In any circumstance that the product arrives damaged or missing parts.  
We are more than happy to provide you with replacement part.

# Warm Tips

Please read the instructions carefully before assembly and  
make sure you have the parts & hardware as identified on the list.

It is highly recommended to assemble the chair on a  
soft clean surface to avoid scratches.





# PARTS LIST

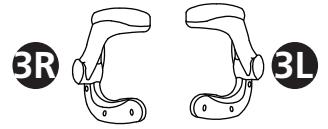
**1** Backrest



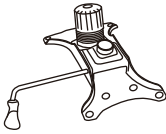
**2** Seat Cushion  
Seat Cushion



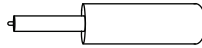
**3** Armrest



**4** Mechanism



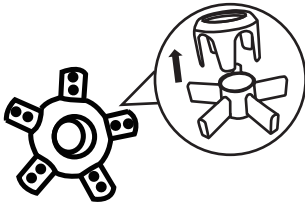
**5** Gaslift



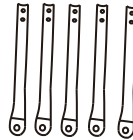
**6** Castors



**7** Base



**8** Base Legs



## Hardware Kit

**A1** Small Bolts(M6×18mm)



10

**A2** Big Bolts(M6\*20mm)



4

**A3** Big Bolts(M6\*25mm)



8

**B** Caps



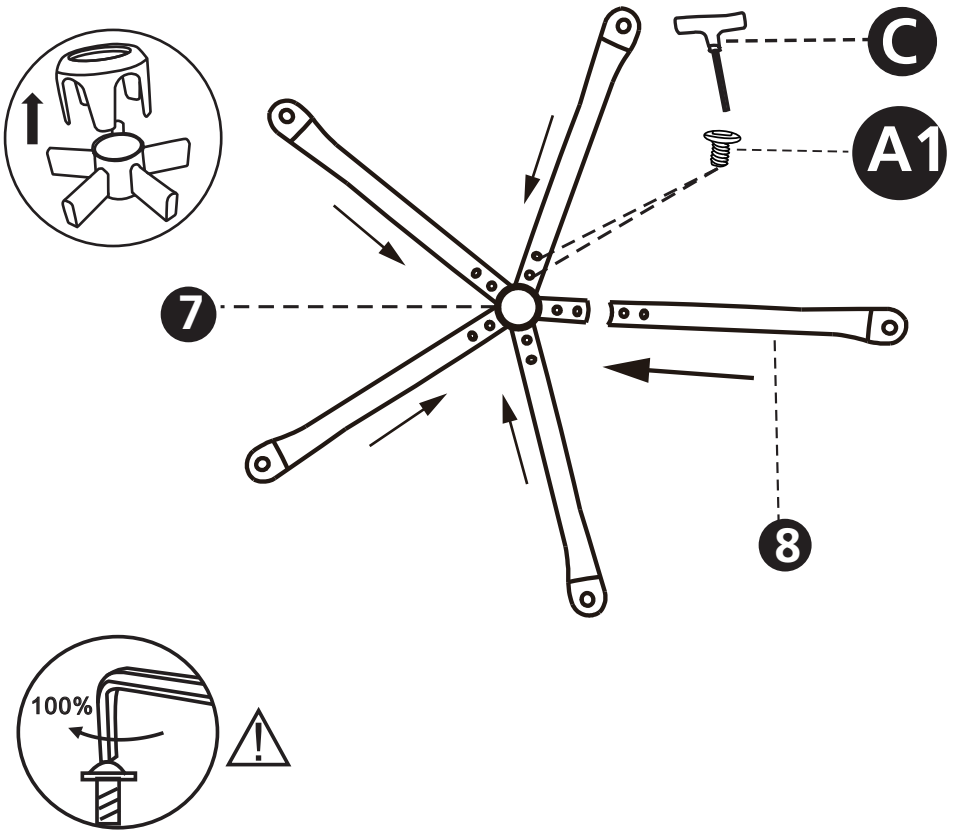
8

**C** Allen Key

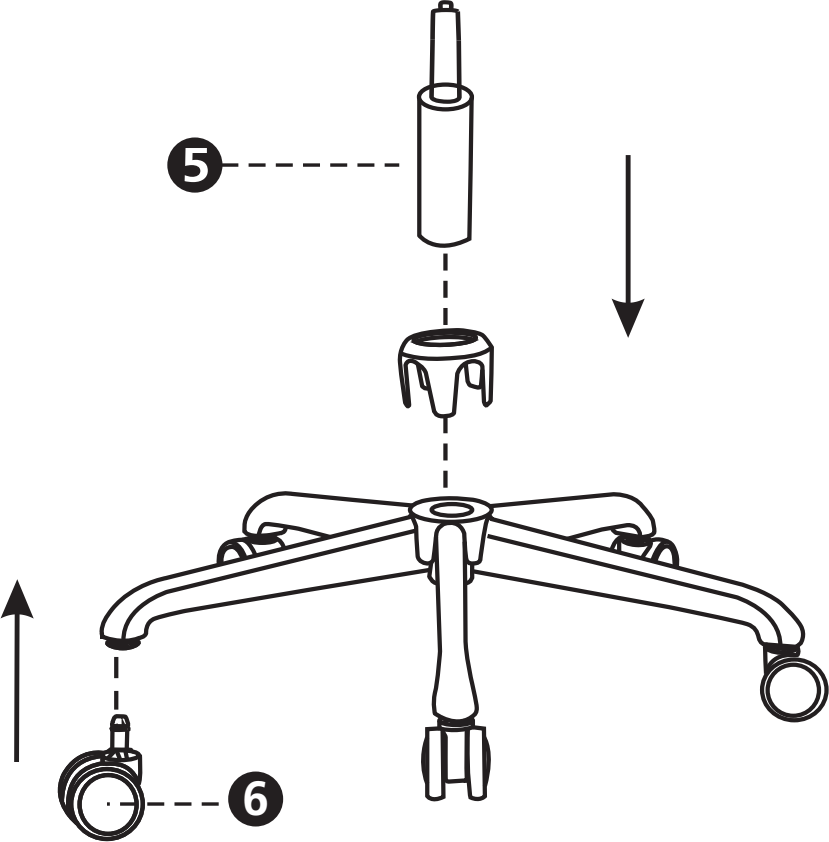


1

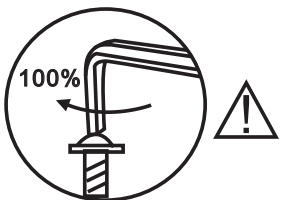
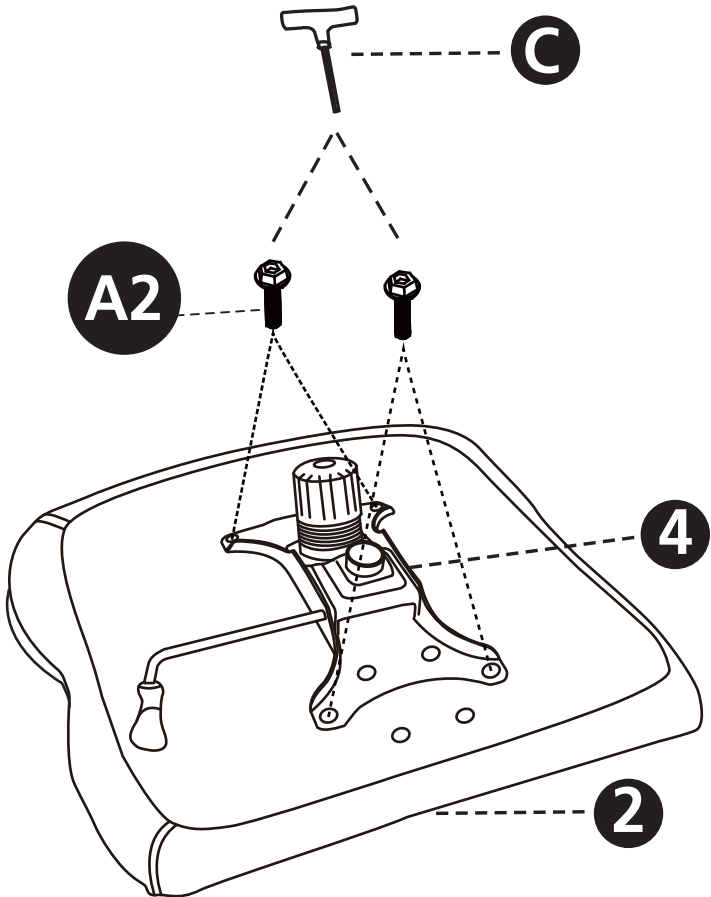
# Step 1:



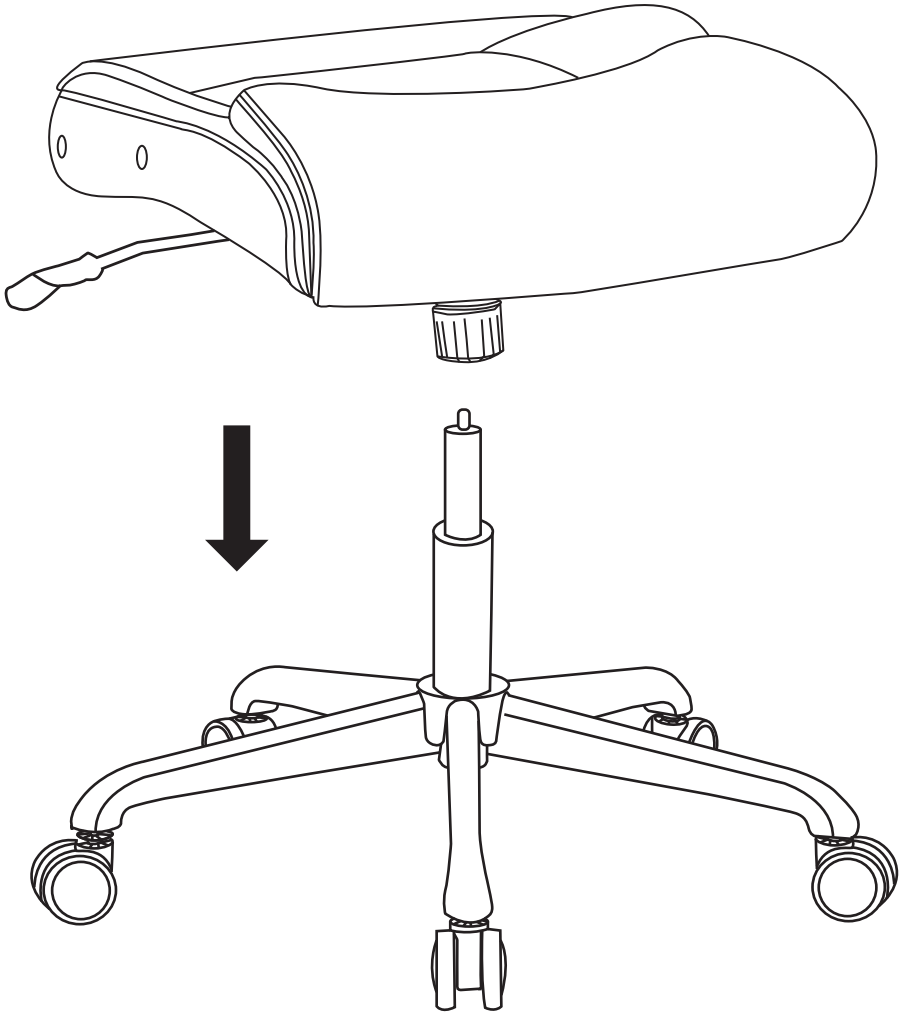
Step 2:



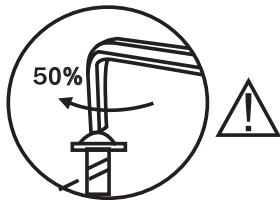
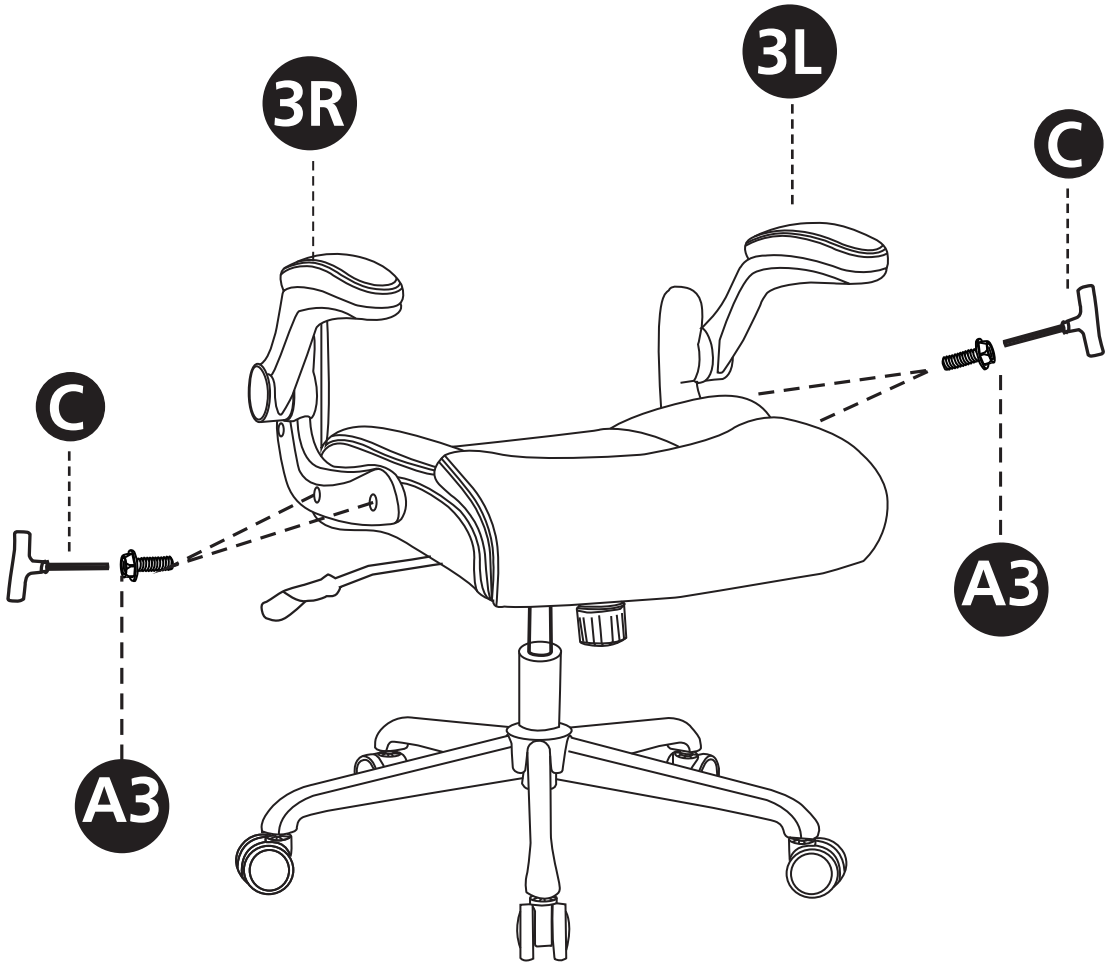
Step 3:



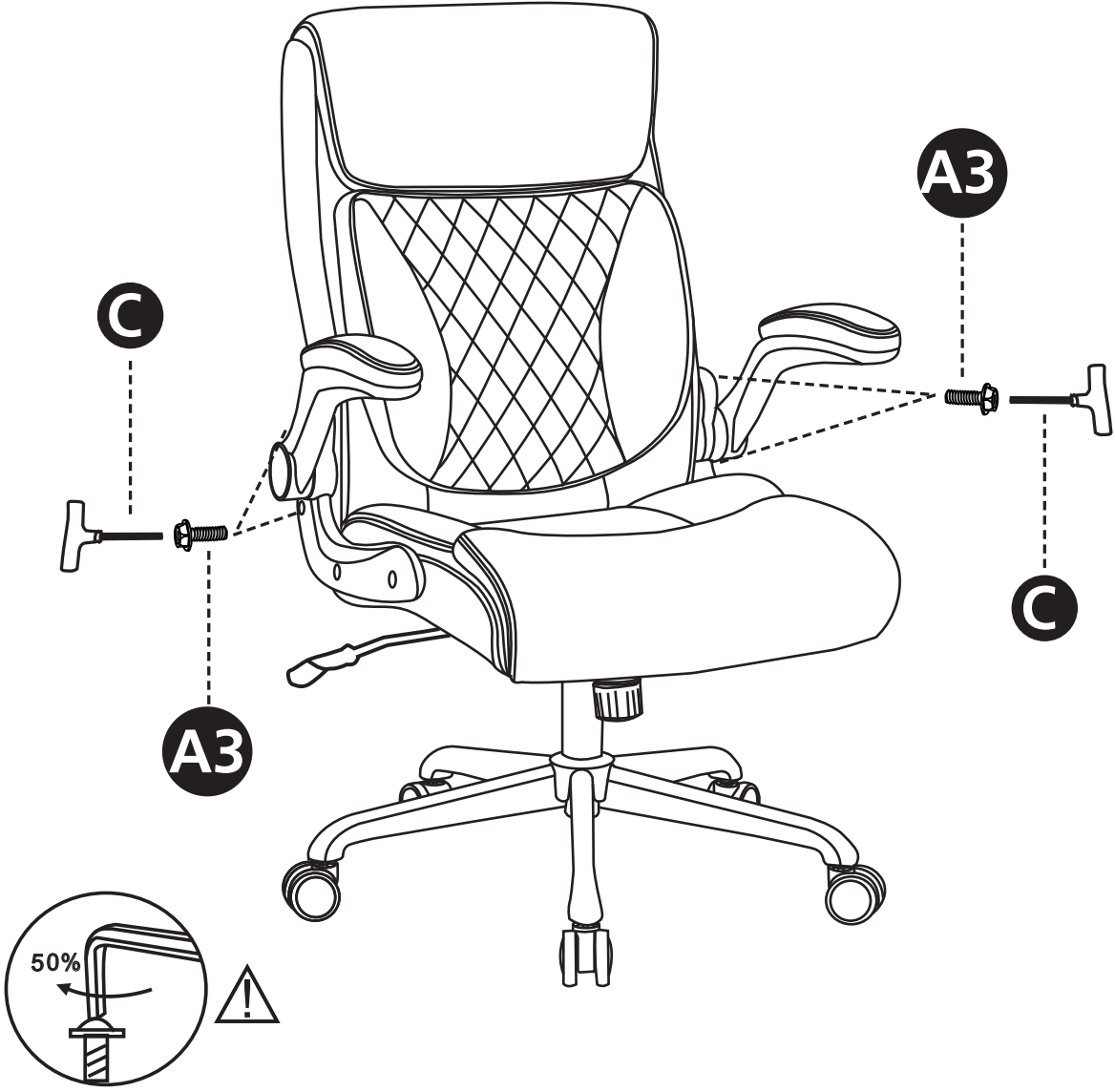
Step 4:



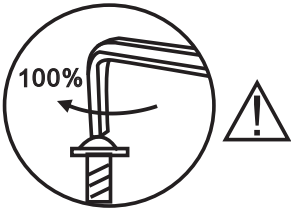
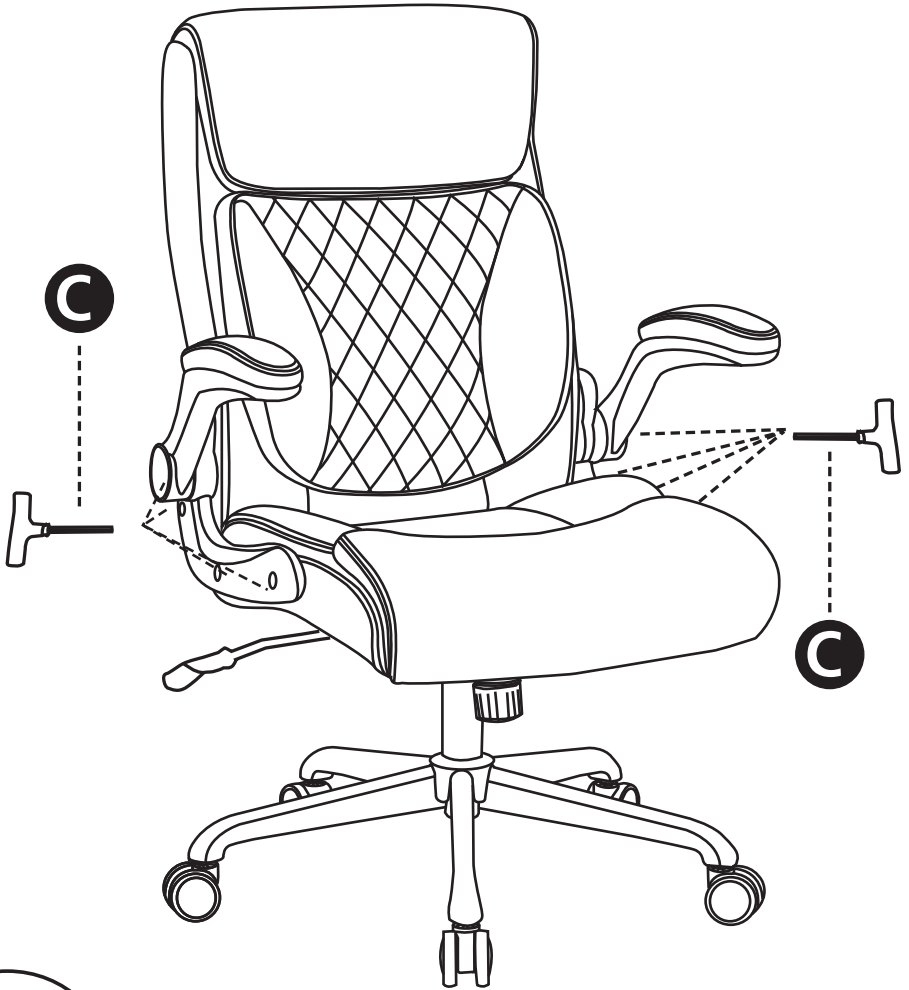
# Step 5:



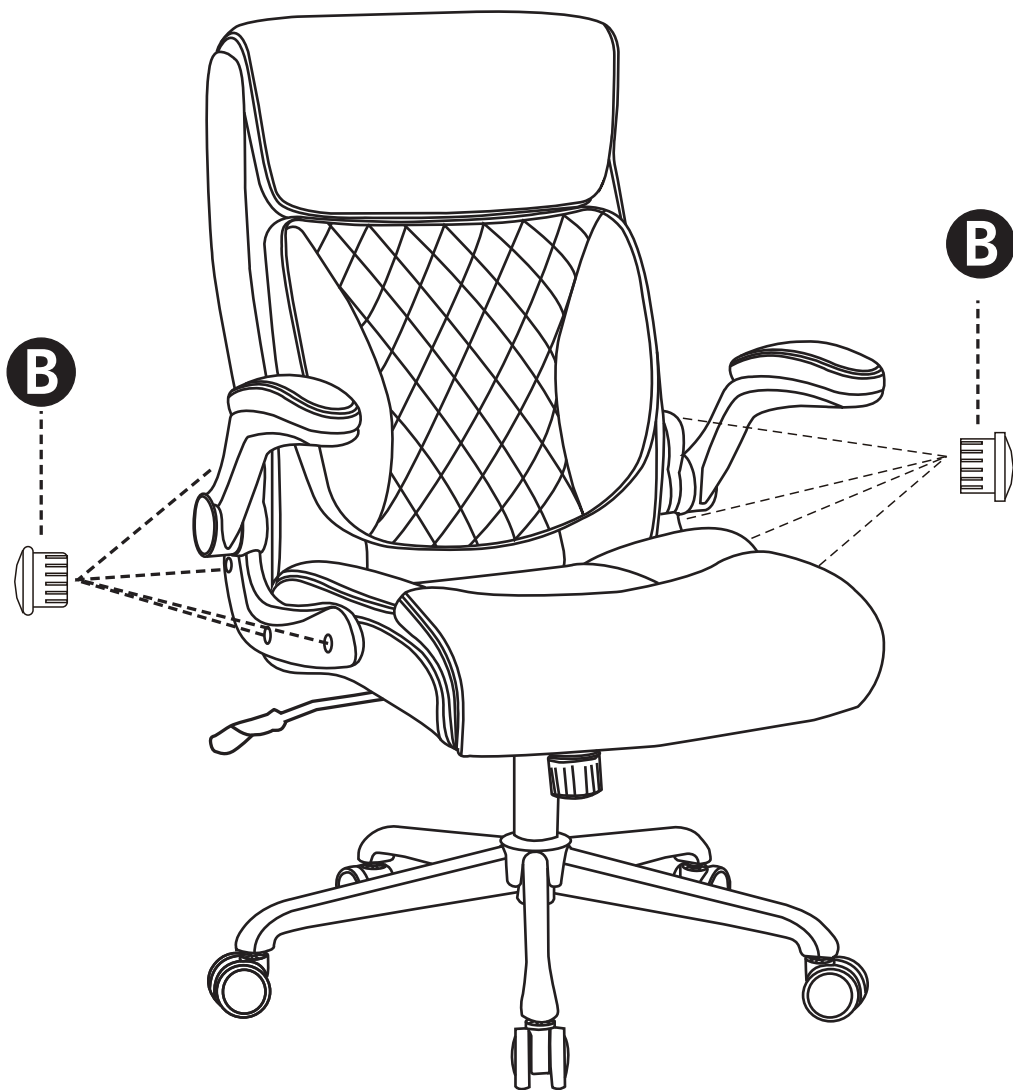
# Step 6:



Step 7: Then Tighten All the Screw by 100%.



# Step 8:



Step 9:

