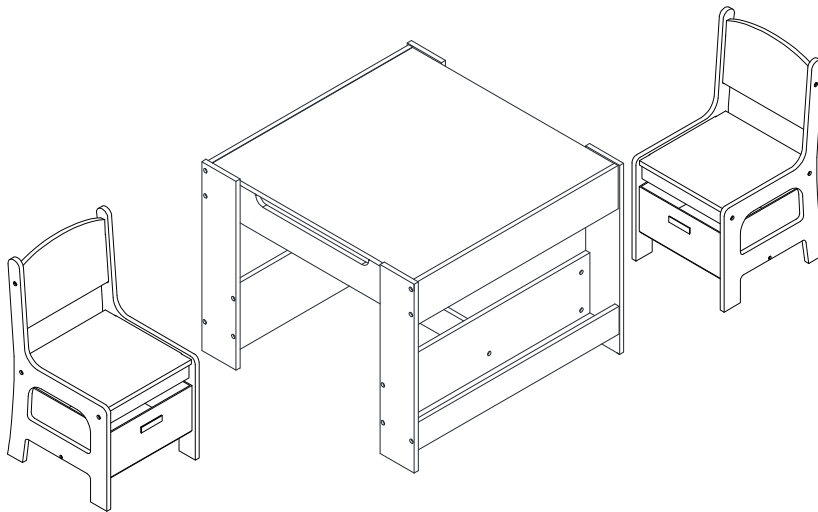


Children Table and Chairs



ASSEMBLY INSTRUCTIONS



60 min. assembly

2 person

*The estimated assembly time may vary depending on the individual.

Hey, there

Now is assembly time!

Deeeeeeep breathe.... and again....
Tools ready,
Easy peasy!

Estimated



60 min. assembly
2 person

Tools Required

- Screwdriver (not included)

important: Cautious when you use power tools

Thank you for purchasing this product. This product has been manufactured with the highest standards of safety and quality.

PLEASE READ ALL INSTRUCTIONS CAREFULLY BEFORE ASSEMBLY.

Unpack all parts from the packaging inside the carton to ensure there are no missing or damaged parts. Lay out all the parts on a clean, flat, and soft surface to prevent scratches. Refer to the steps provided as assembling guide.

Do not attempt to assemble or use the product if any parts are missing or damaged.

REMINDERS

SAFE USAGE IS KEY

Your well-being is our top priority when you use our product. Please prioritize your safety by diligently following the assembly guidelines and inspecting the product carefully both when it arrives and before each use.

Please be aware that LuxenHome and Winsome House, Inc. cannot be held liable for any injuries or fatalities that occur due to not adhering to the provided instructions or misuse of the product.

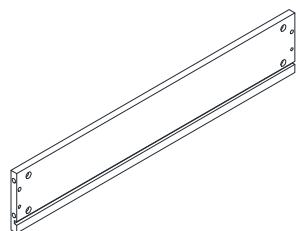
DO NOT MODIFY

Our products undergo rigorous testing to ensure they meet established safety standards before being released for sale. Altering the product in any way can lead to serious safety concerns, for which LuxenHome cannot assume responsibility.

Please save this manual for future reference.

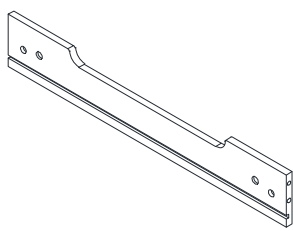
What's in the box

Parts



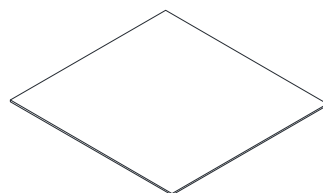
1 x2

Table side panel



2 x2

Table side panel



3 x1

Table bottom panel



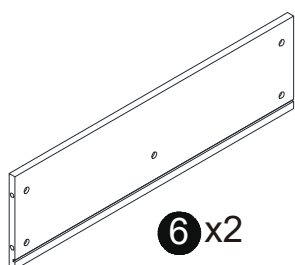
4 x2

Table leg



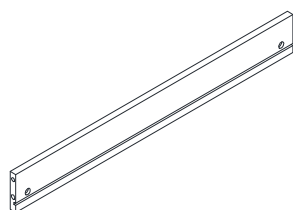
5 x2

Table leg



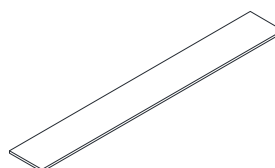
6 x2

Table bottom side slat



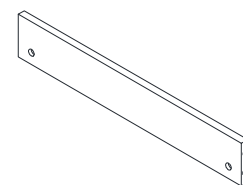
7 x2

Table bottom side slat



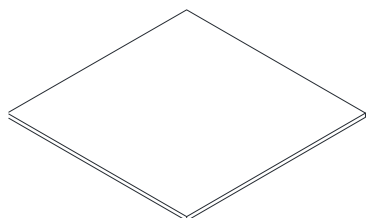
8 x2

Table bottom slat



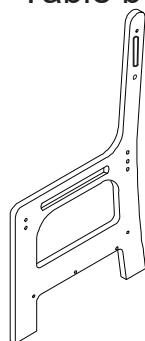
9 x1

Table bottom connected slat



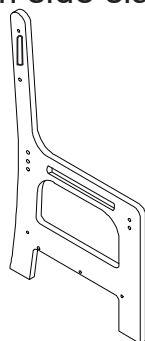
10 x1

Table top



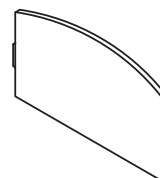
11 x2

Chair left panel



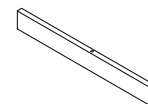
12 x2

Chair right panel



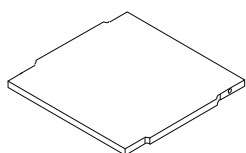
13 x2

Chair back



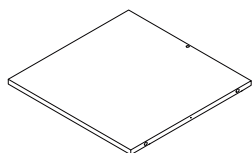
14 x2

Chair bottom supported slat



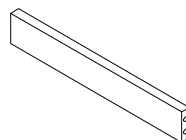
15 x2

Chair seat



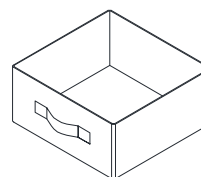
16 x2

Chair bottom panel



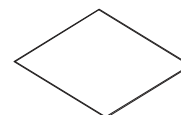
17 x4

Seat supported slat



18 x2

Fabric bin

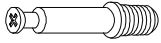


19 x2

Fabric bin bottom cardboard

Hardware & Accessory

A x4



B x4

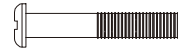


C x26+3



M6x25

D x34+4



M6x40

E x34+4



F x4



M6x16

G x12+2



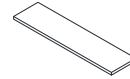
M5x25

H x6

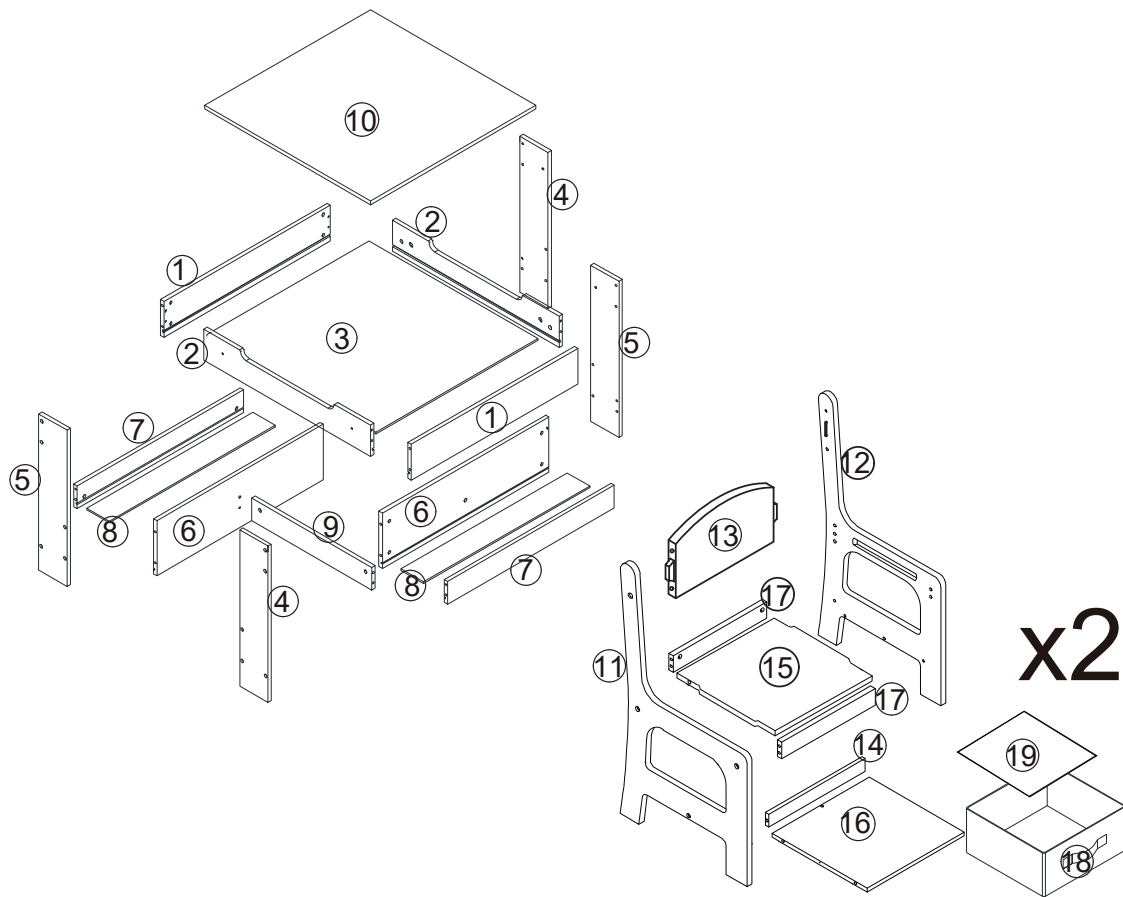


M4x25

I x12+2

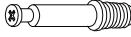




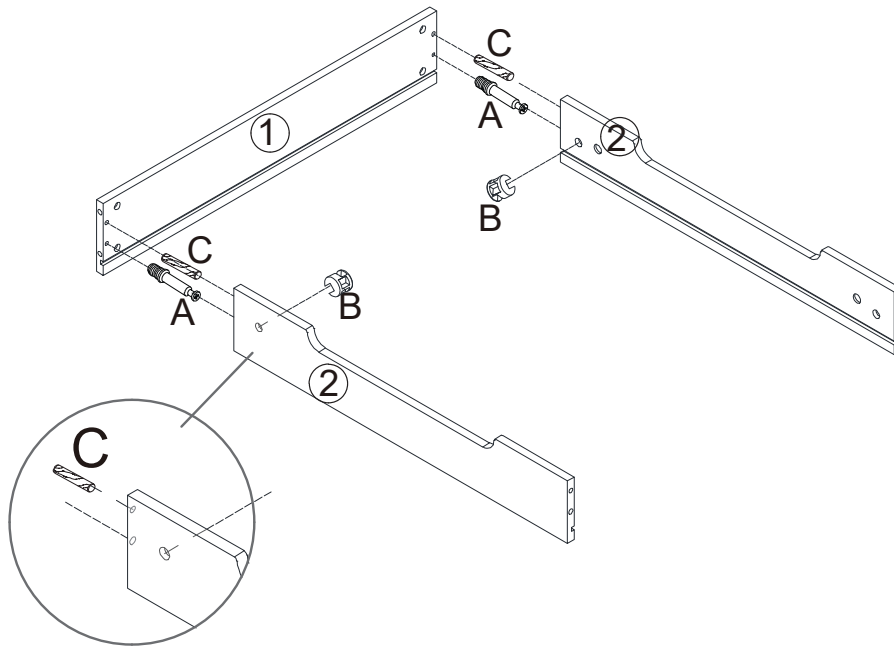
Assembly



Step 1

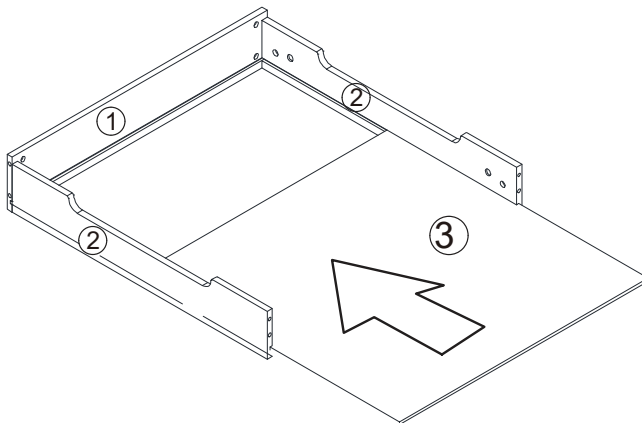
Attach hardware A & C to panel 1, insert hardware B to panels 2, attach panels 2 to panel 1 by tightening hardware B.

Ⓐx2	Ⓑx2	Ⓒx2
		



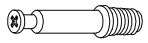


Step 2

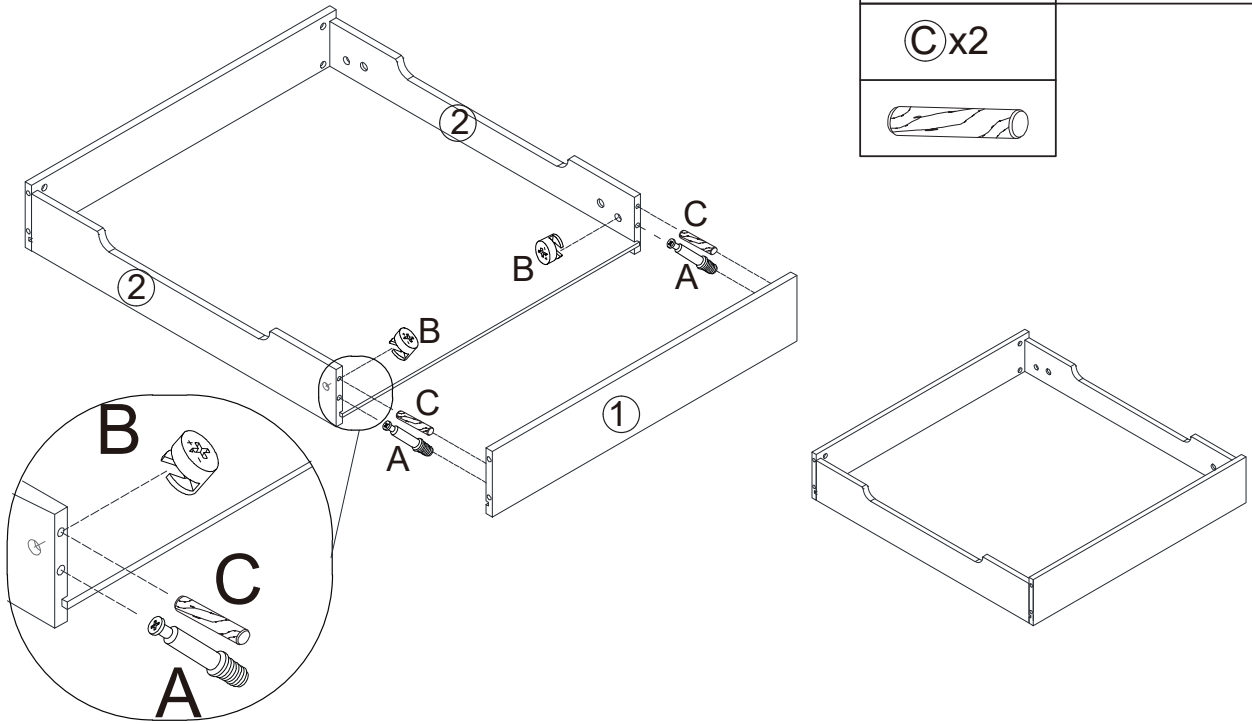
Insert panel 3 into panels 1 & 2



Step 3




Attach hardware A & C to panel 1, insert hardware B to panels 2, attach panel 1 to panels 2 by tightening hardware B.

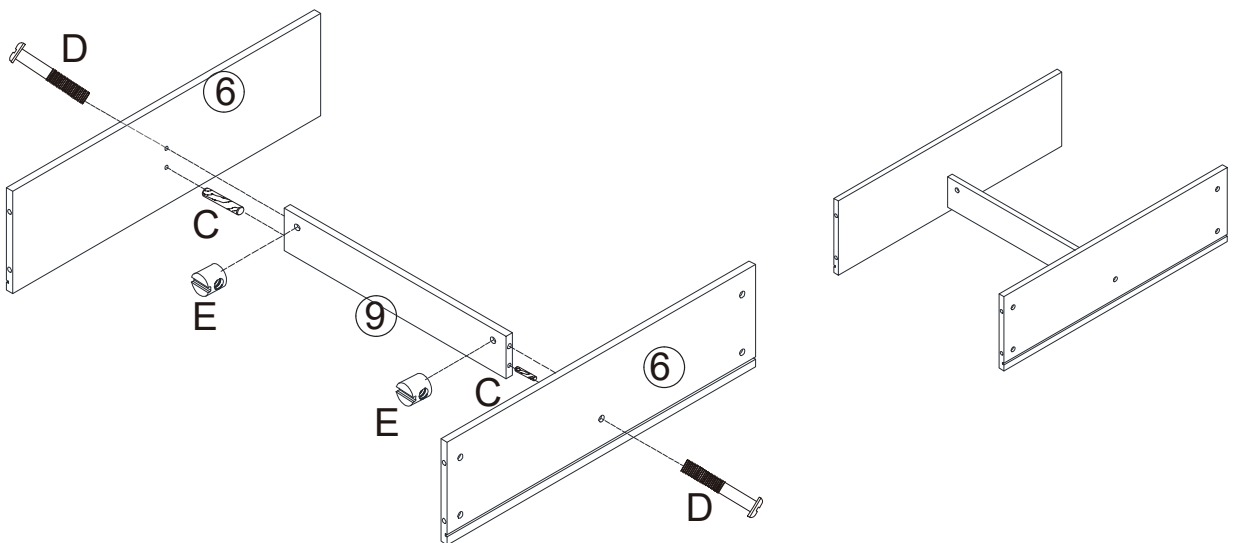
(A)x2	(B)x2
	
(C)x2	
	



Step 4


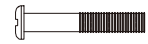

Insert hardware C & E into panel 9, attach panels 6 to panel 9 by using hardware D.

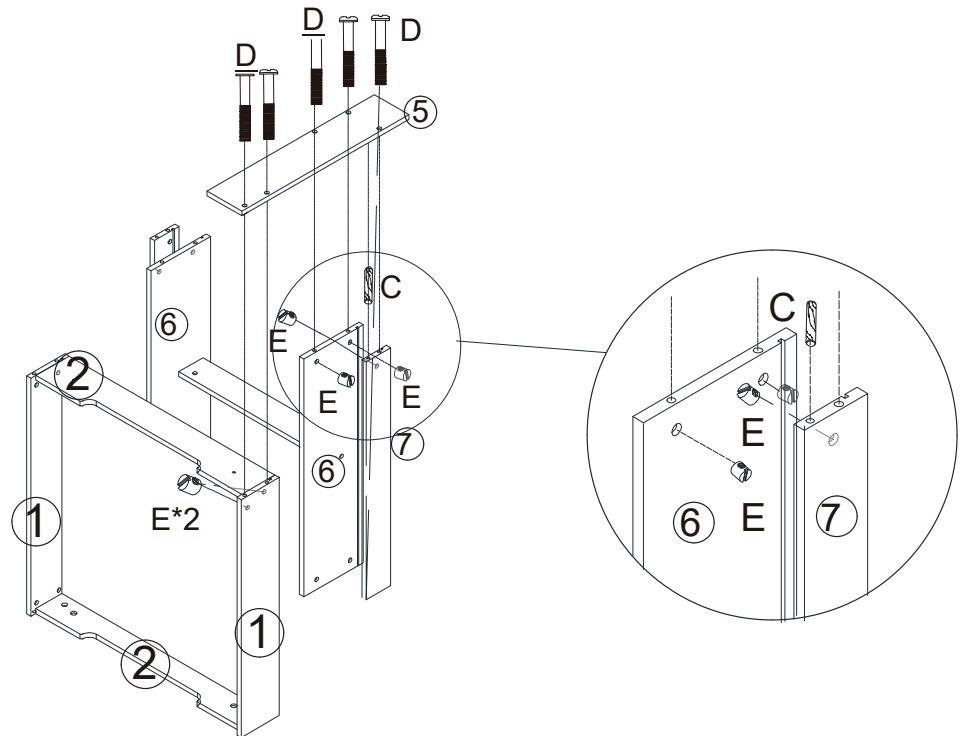
(C)x2	(D)x2	(E)x2
		



Step 5

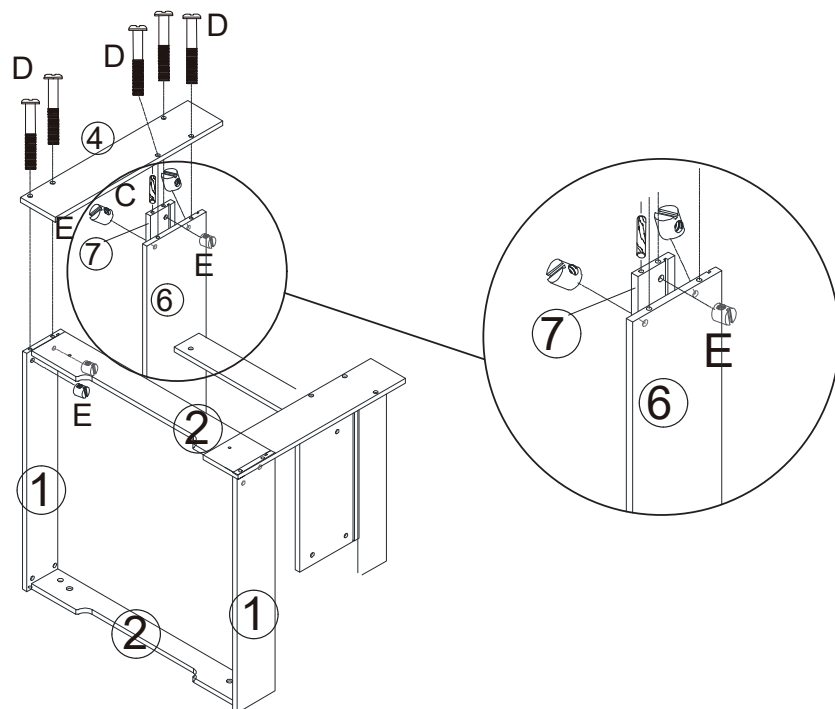
Insert hardware C & E into panels 1, 6 & 7, attach panels 5 to panels 2, 6 & 7 by using hardware D.

Ⓒ x1	Ⓓ x5	Ⓔ x5
		



Step 6

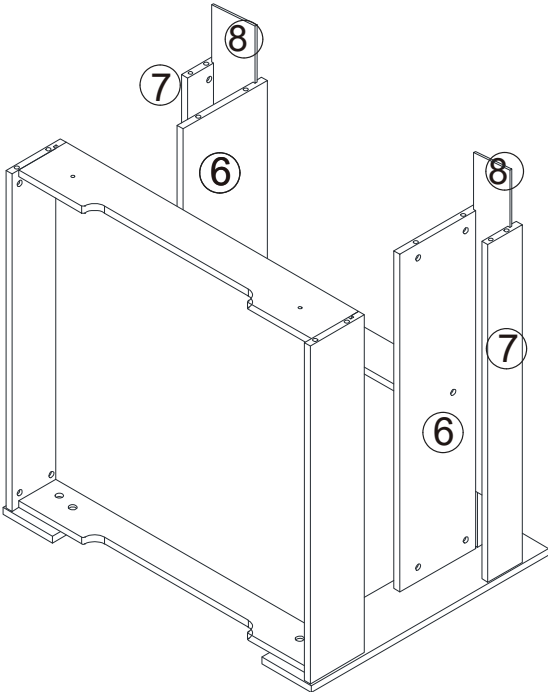
Insert hardware C & E into panels 1, 6 & 7, attach panels 4 to panels 2 & 7 by using hardware D.



Please save this manual for future reference.

Step 7

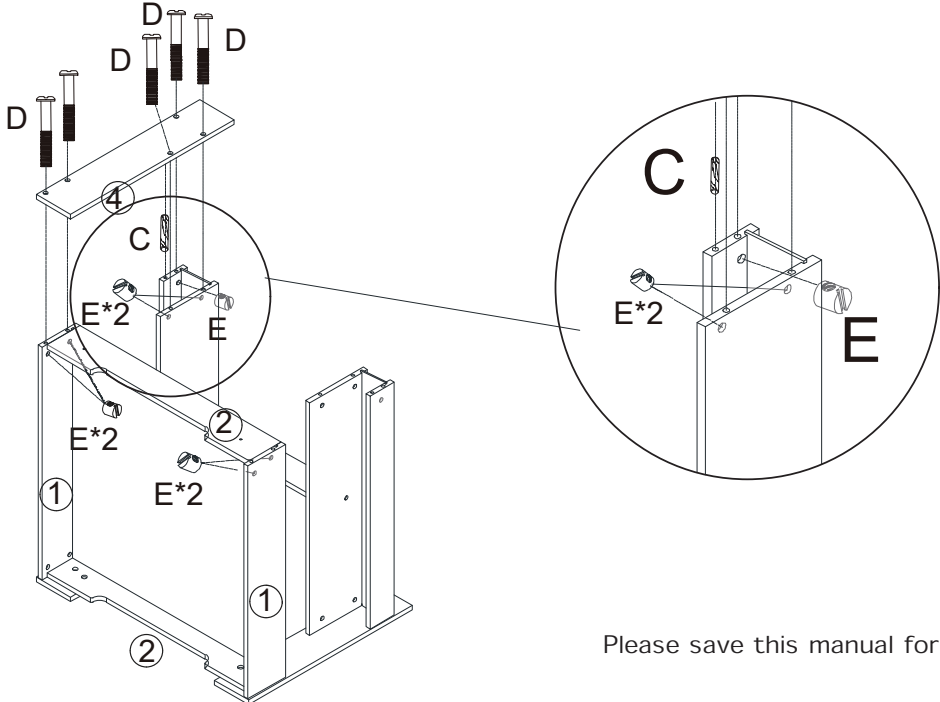
Insert panels 8 between panels 6 & 7.



Step 8

Same as the step 6.
Do not tighten hardware D until step 10.


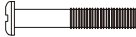

Ⓒx1	Ⓓx5	Ⓔx5

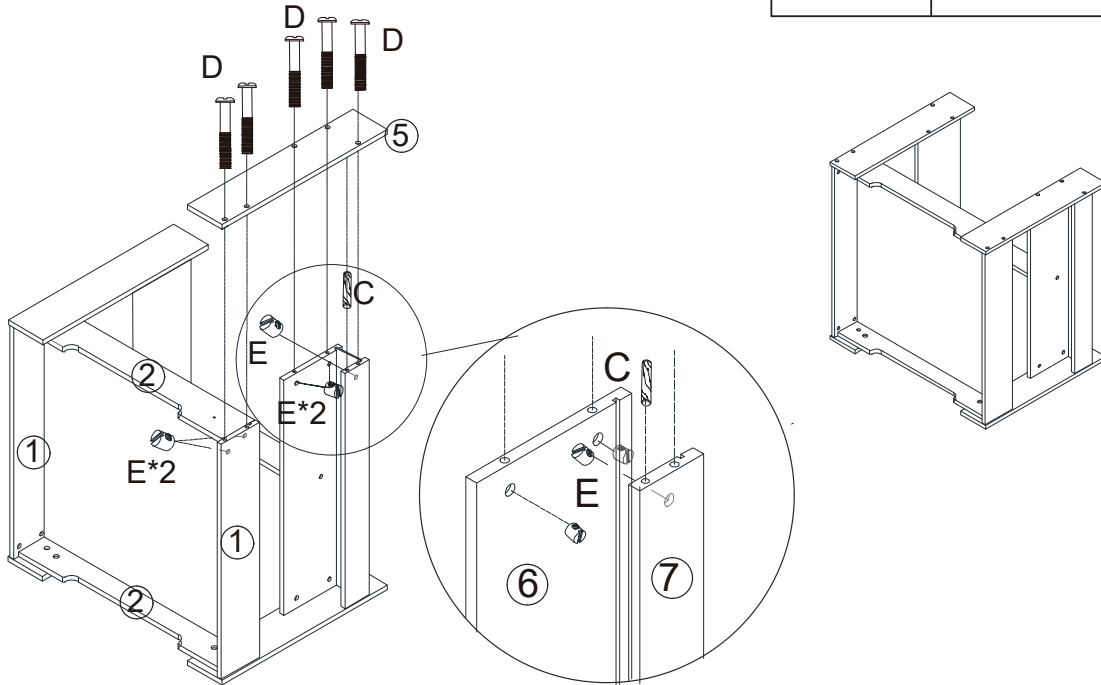


Please save this manual for future reference.

Step 9


Same as the step 5.

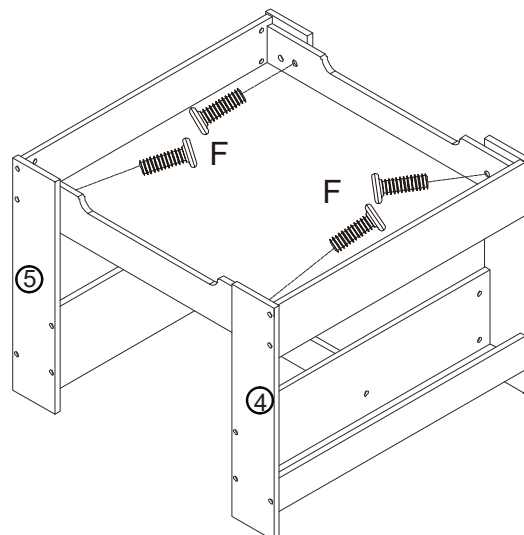
ⓐx1	ⓓx5	ⓔx5
		



Step 10

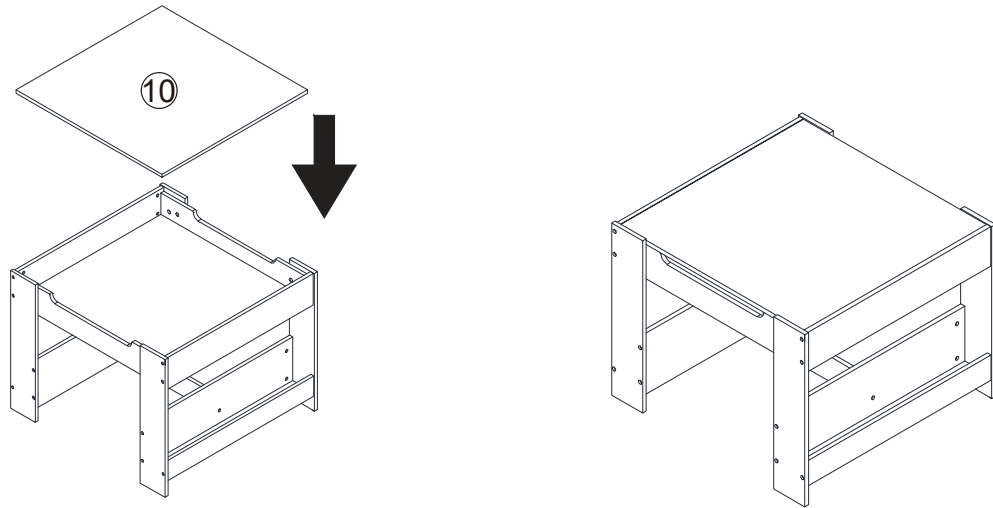
Tighten panels 4 & 5 by using hardware F. Now tighten hardware F.

ⓕx4




Step 11

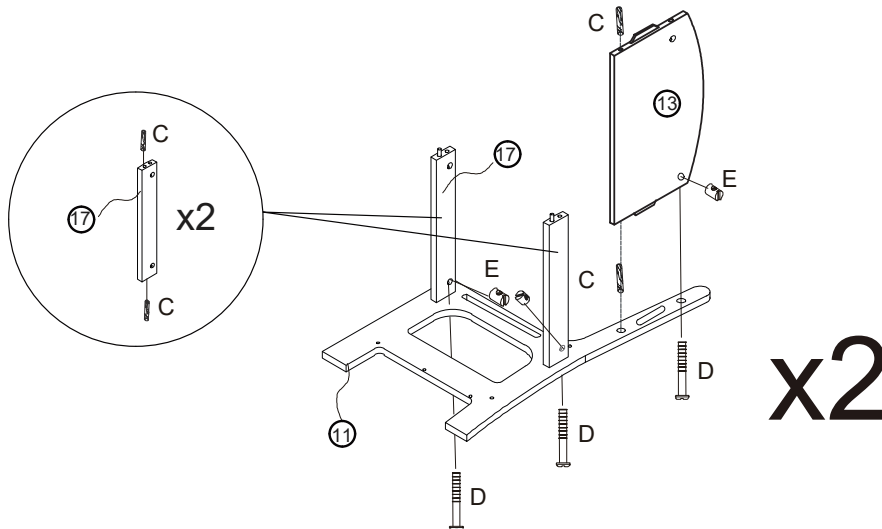
Put panel 10 on the top of the table.



Step 12

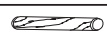
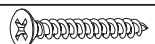
Insert hardware C & E into panels 13 & 17. Attach panels 13 & 17 to panel 11 by using hardware D.

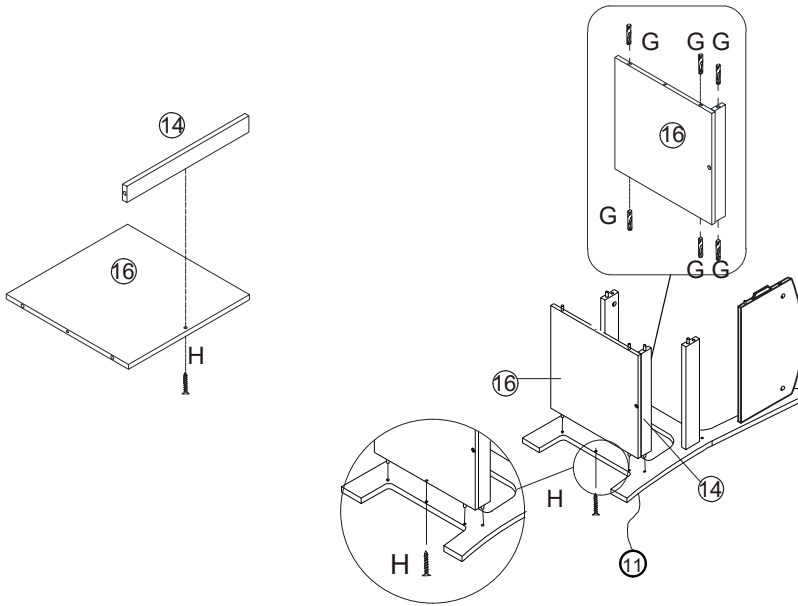
ⓐx12	ⓓx6	ⓔx6



Step 13

Attach panels 14 to panels 16 by using hardware H, insert hardware G into panels 14 & 16, attach panels 16 & 14 to panel 11 by using hardware H.


G x12	H x4
	

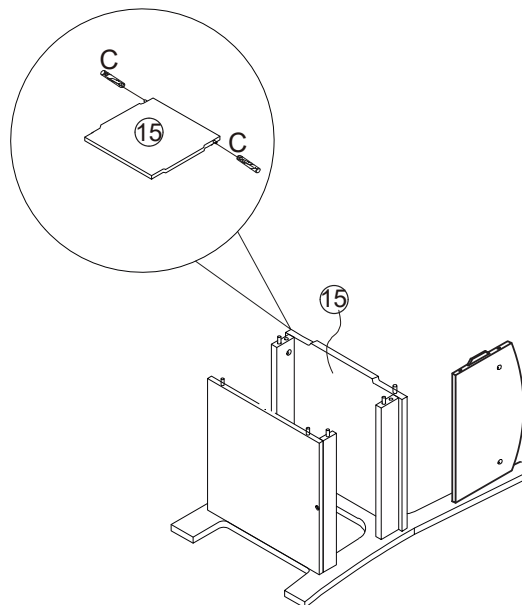


x2

Step 14

Insert hardware C to panels 15.
Attach seat panel 15 to panel 11 by using hardware C







C x4


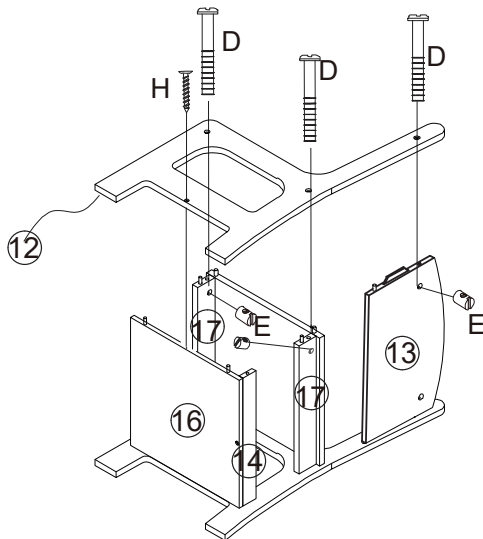


x2

Step 15

Insert hardware E into panels 13 & 17. Attach panels 12 to panels 13, 14, 16 & 17 by using hardware D & H

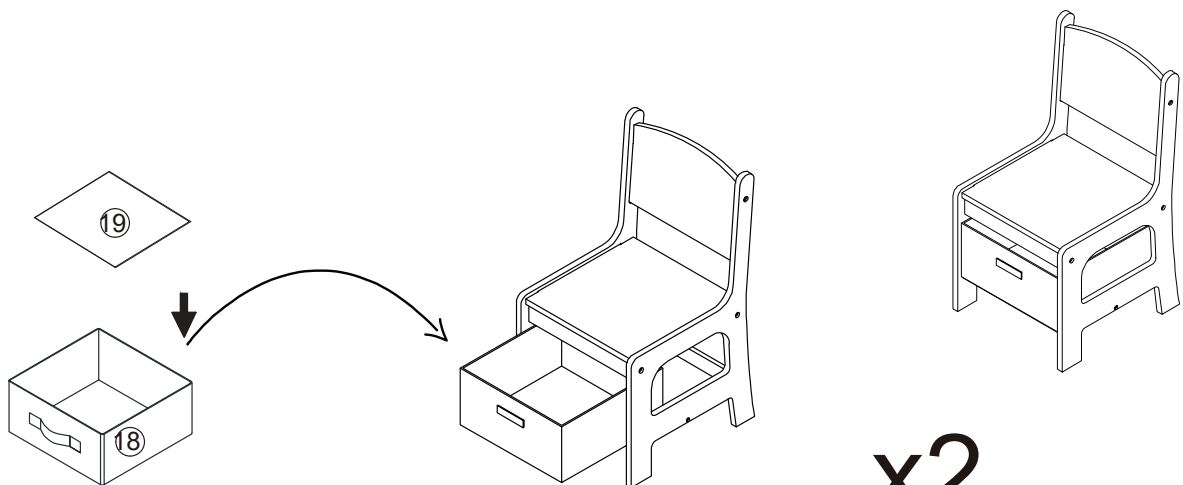
 D x6	 E x6	 H x2
		



x2

Step 16

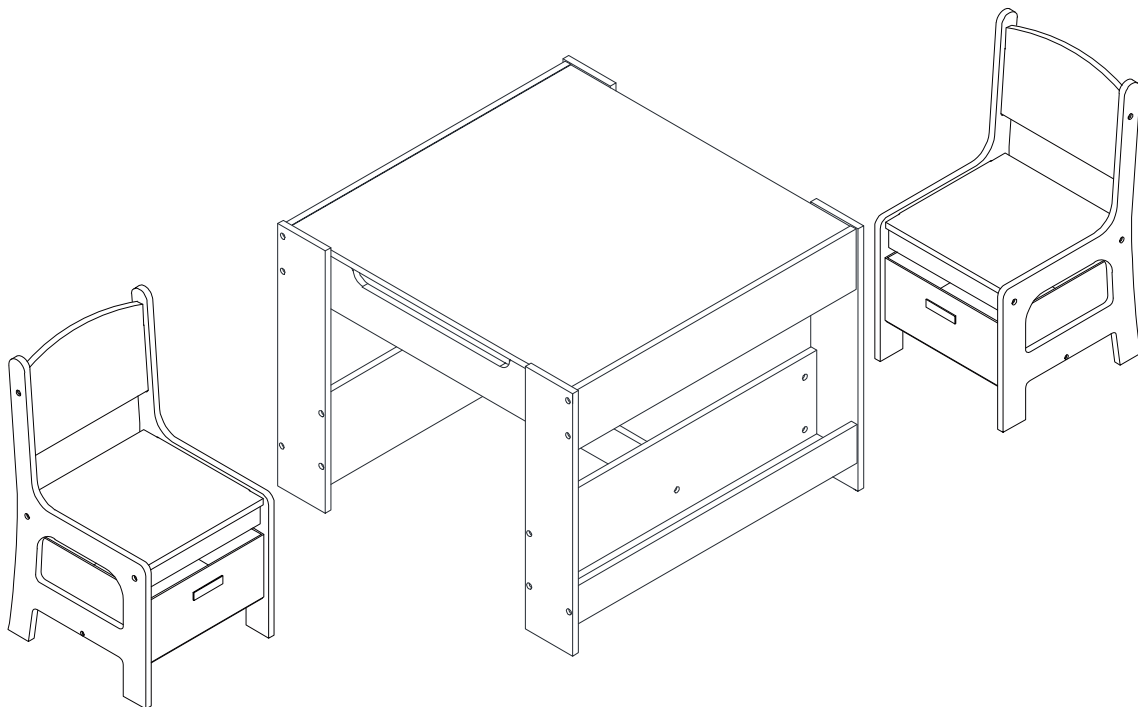
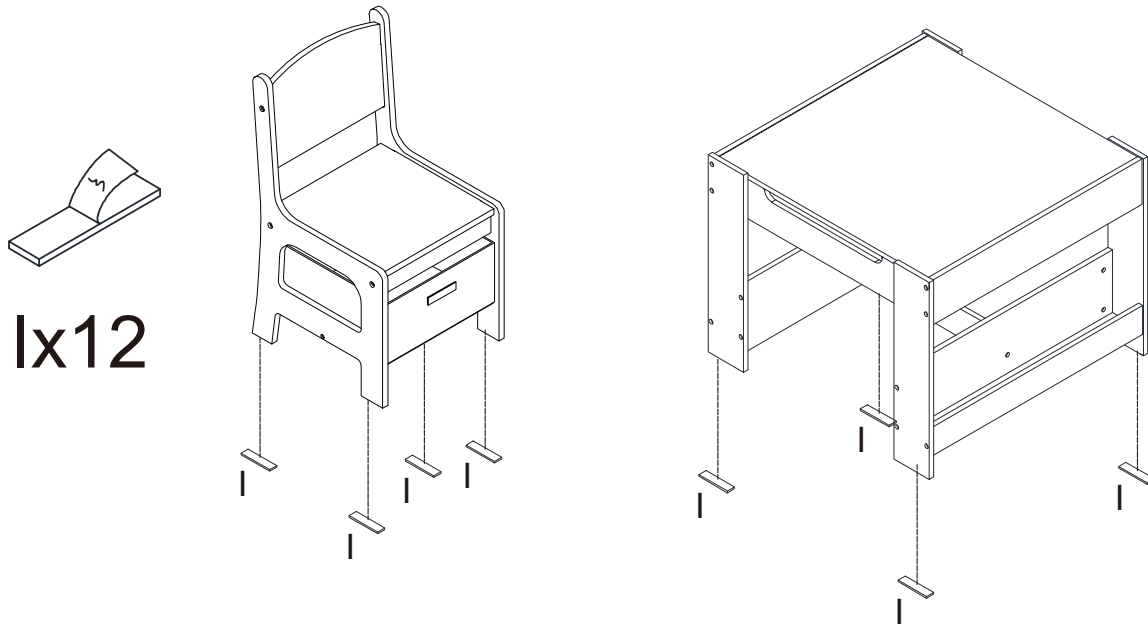
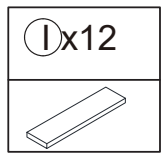
Insert fabric bottom 19 to the fabric boxes 18, insert fabric boxes into chairs.



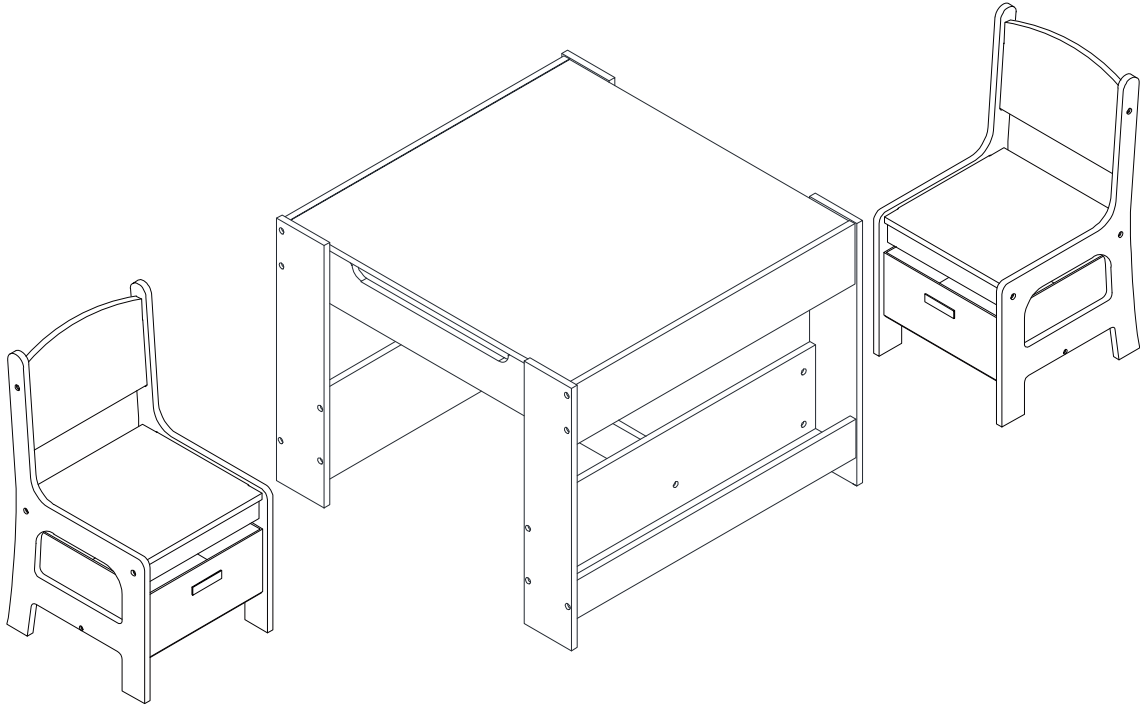
x2

Step 17

Attach antislip stickers I to the feet of table and chairs.



Now enjoy.



Warning

Adults must assemble products before giving them to children. Products containing small parts, sharp edges, and sharp points should be kept away from children during the non-assembly stage. Do not stand on the furniture, as this may damage the product and cause serious bodily harm. It is recommended that the adult check the product periodically to ensure all parts are tight and secure.
Age grading : over 3 years old.

Please save this manual for future reference.