

# *ASSEMBLY INSTRUCTIONS*



## ARMLESS CHAIR

# ASSEMBLY INSTRUCTIONS

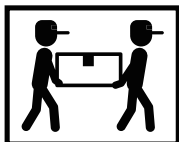
## ASSEMBLY TIPS:

1. Remove hardware from box and sort by size.
2. Please check to see that all hardware and parts are present prior to start of assembly.
3. Please follow attached instructions in the same sequence as numbered to assure fast & easy assembly.



### WARNING!




1. Don't attempt to repair or modify parts that are broken or defective. Please contact the store immediately.
2. This product is for home use only and not intended for commercial establishments.



ASSEMBLY TIME

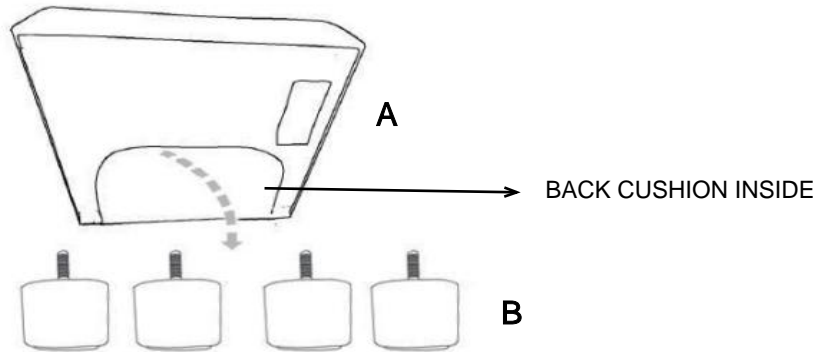
10 MINUTES

## PARTS IDENTIFICATION

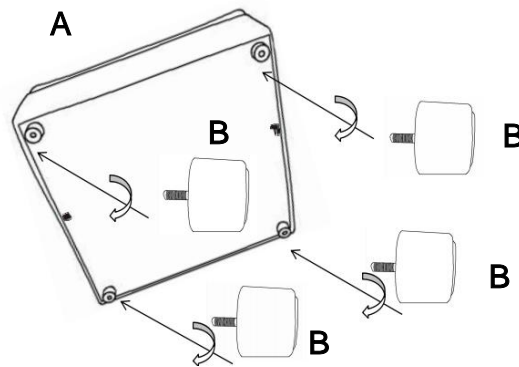
	PART NAME	FIGURE	QUANTITY
A	ARMLESS CHAIR		1PC
B	LEG		4PCS
C	BACK CUSHION		1PC

## ASSEMBLY INSTRUCTIONS

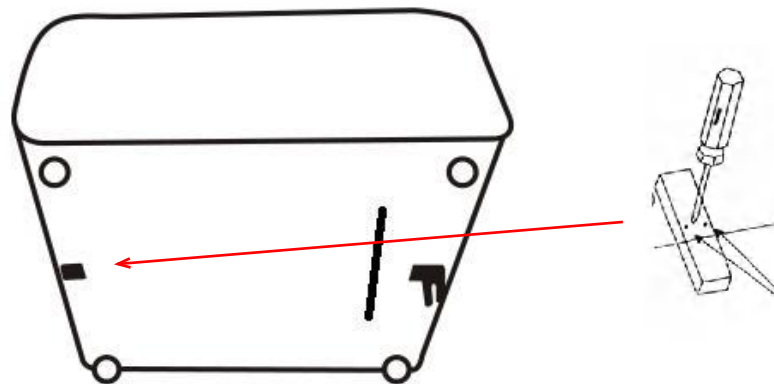
**STEP 1** Turn over the item and take out the legs from zippered pouch



**STEP 2** Install the legs as pictures show

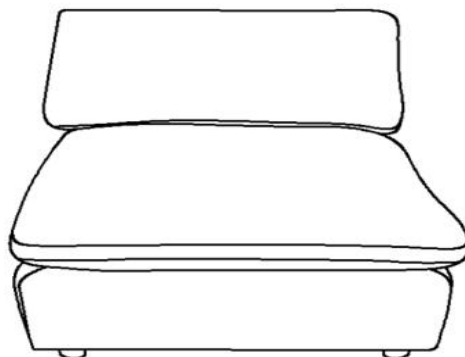


**STEP 3** Please remove the wood block with screwdriver, do not use a hammer



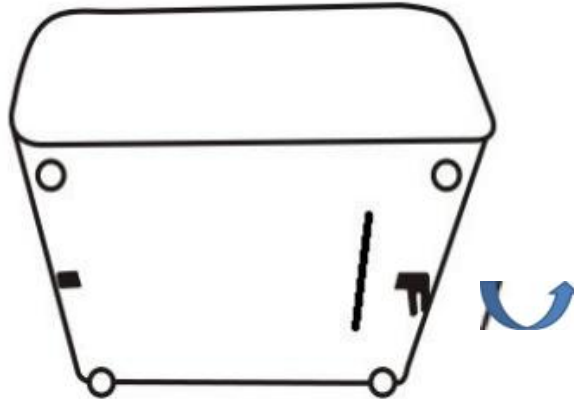
**STEP 4**

COMPLETE

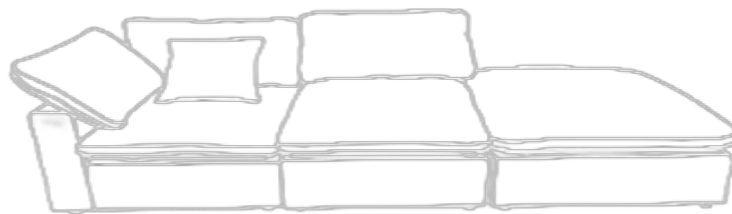


## ASSEMBLY INSTRUCTIONS

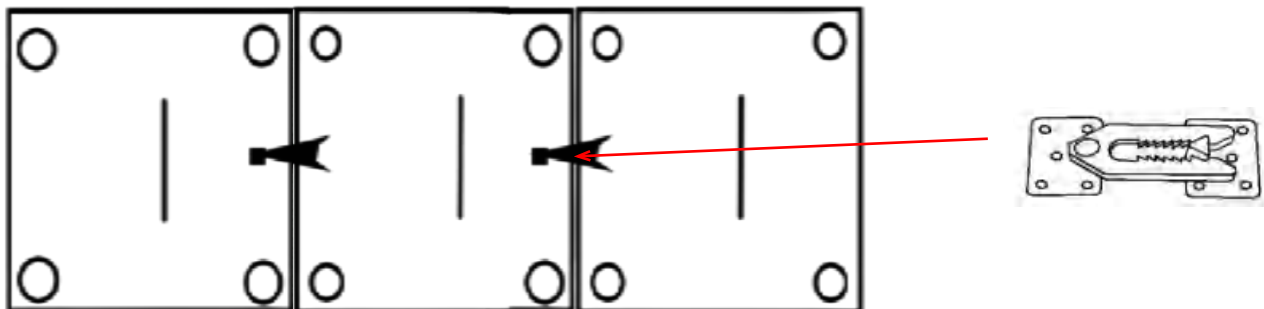
**STEP 5** Rotate the metal clips

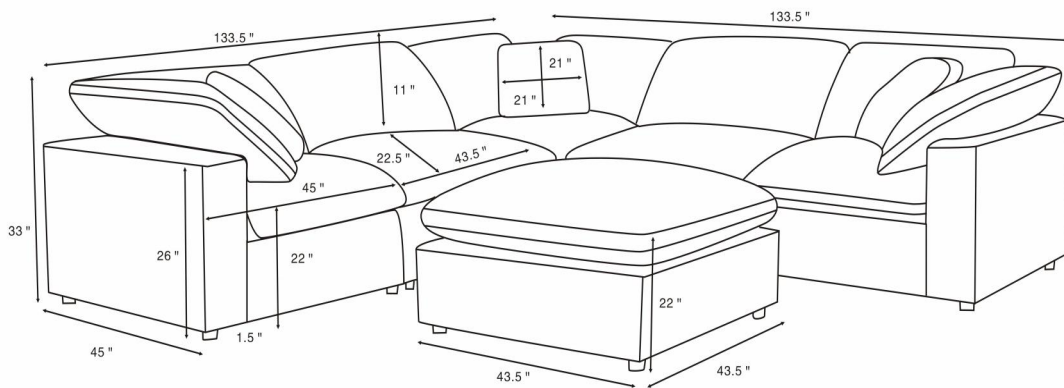
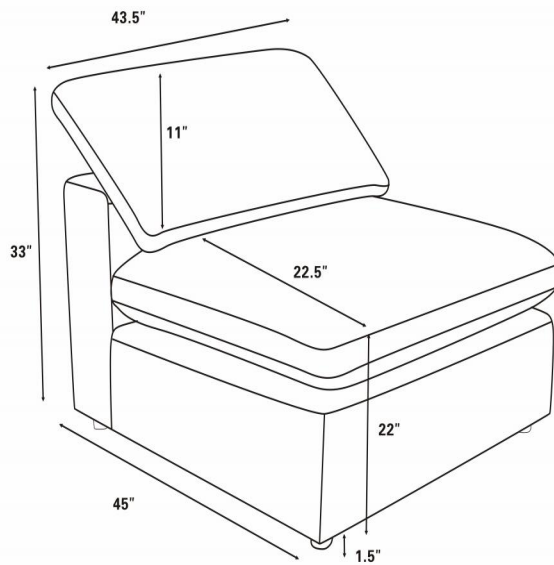


**STEP 6** Put the armless chair and corner and ottoman closer



**STEP 7** Insert the metal clips to connect other units as pictures show





Note : Dimension tolerance  $\pm 5\%$



# *ASSEMBLY INSTRUCTIONS*



**CORNER**

# ASSEMBLY INSTRUCTIONS

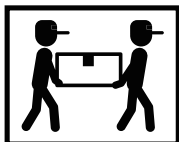
## ASSEMBLY TIPS:

1. Remove hardware from box and sort by size.
2. Please check to see that all hardware and parts are present prior to start of assembly.
3. Please follow attached instructions in the same sequence as numbered to assure fast & easy assembly.



### WARNING!



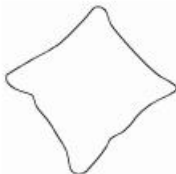
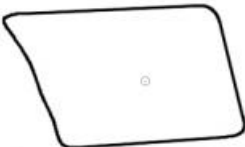
1. Don't attempt to repair or modify parts that are broken or defective. Please contact the store immediately.
2. This product is for home use only and not intended for commercial establishments.



ASSEMBLY TIME

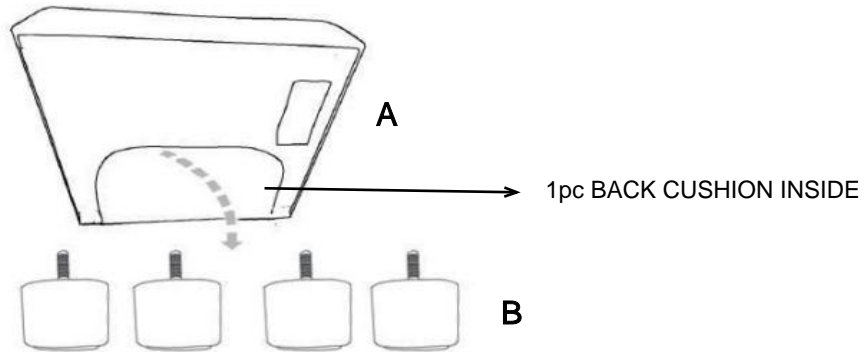
10 MINUTES

## PARTS IDENTIFICATION

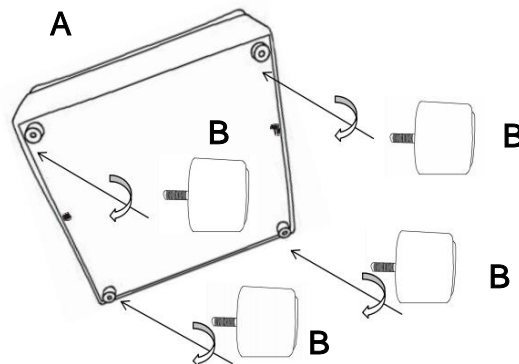
	PART NAME	FIGURE	QUANTITY
A	CORNER		1PC
B	LEG		4PCS
C	PILLOW		1PC
D	BACK CUSHION		2PCS

## ASSEMBLY INSTRUCTIONS

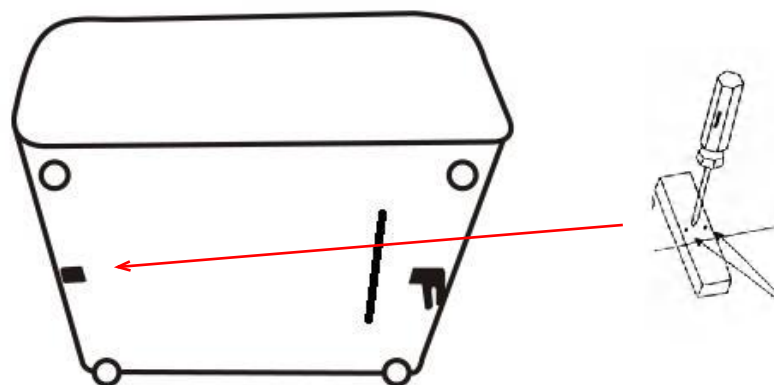
**STEP 1** Turn over the item and take out the legs from zippered pouch



**STEP 2** Install the legs as pictures show

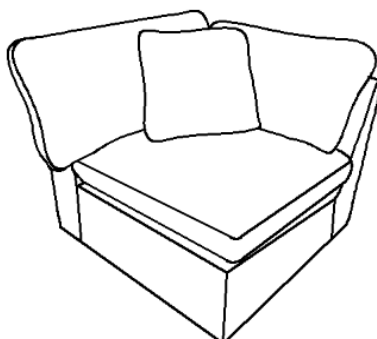


**STEP 3** Please remove the wood block with screwdriver, do not use a hammer



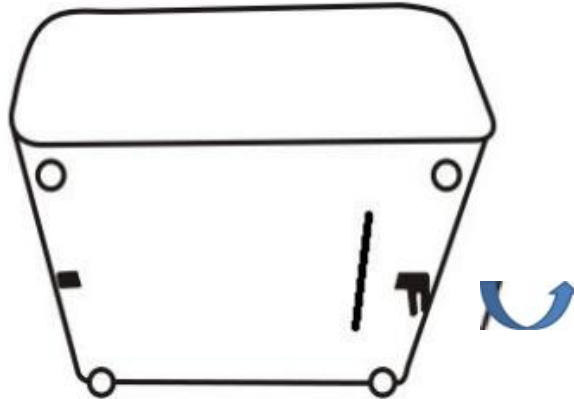
**STEP 4**

COMPLETE

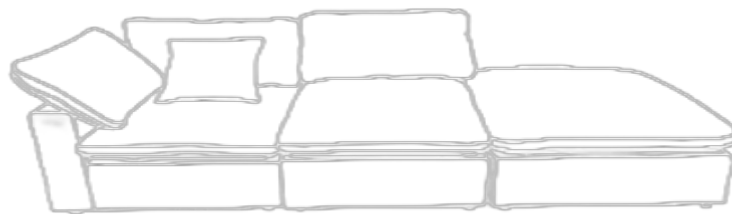


## ASSEMBLY INSTRUCTIONS

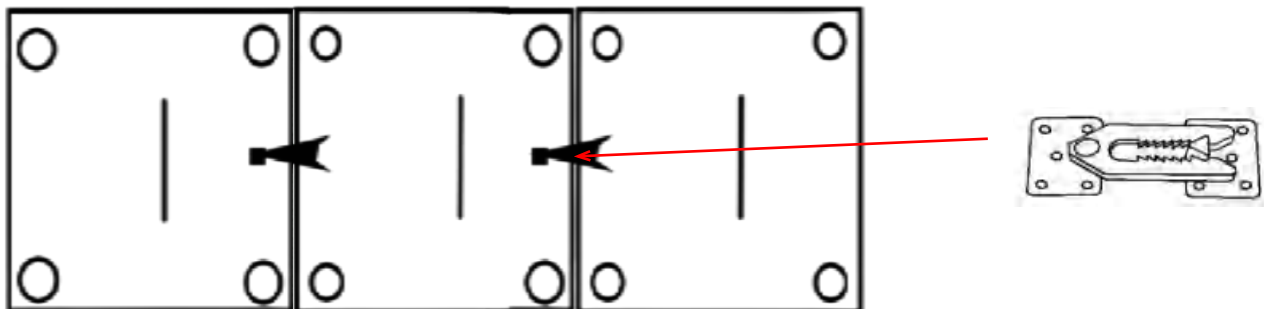
**STEP 5** Rotate the metal clips

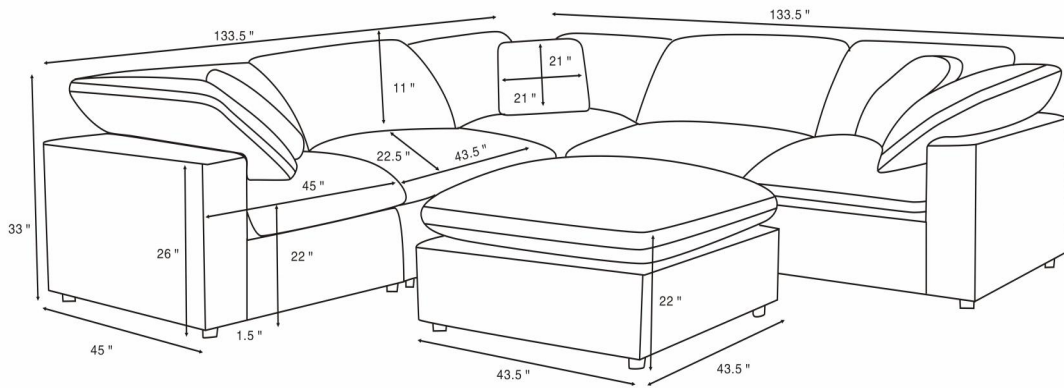
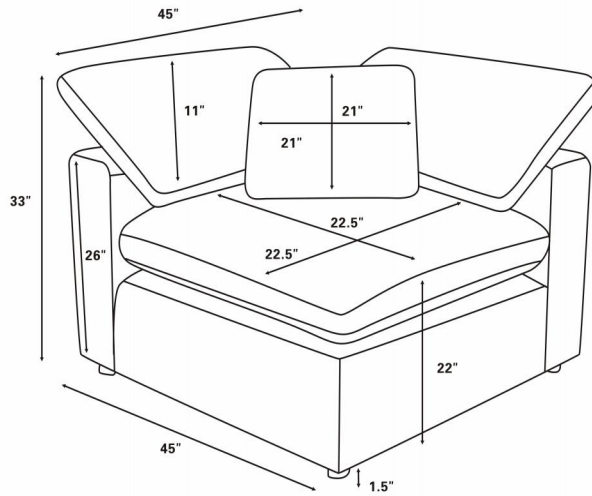


**STEP 6** Put the armless chair and corner and ottoman closer



**STEP 7** Insert the metal clips to connect other units as pictures show





Note : Dimension tolerance  $\pm 5\%$

