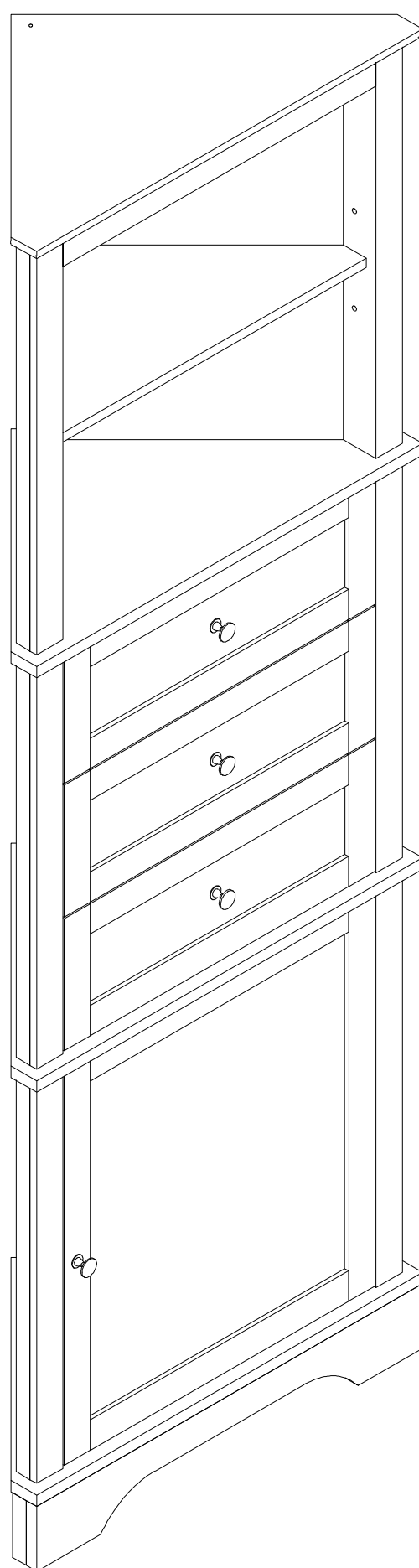
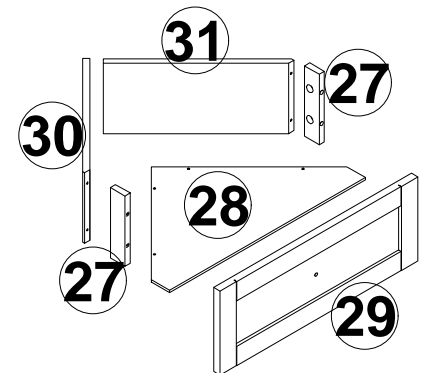
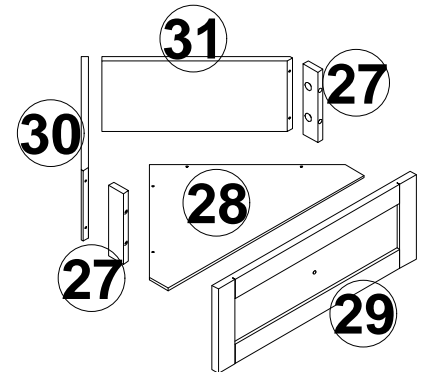
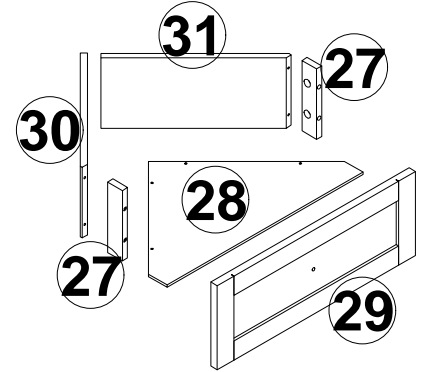
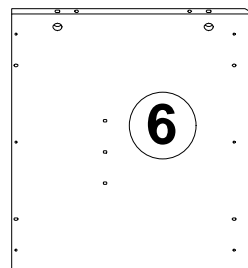
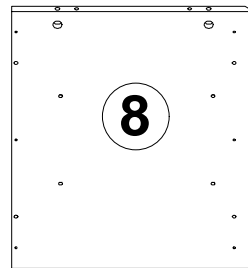
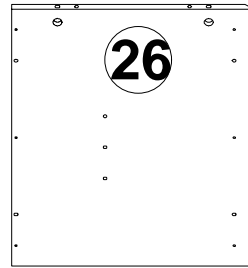
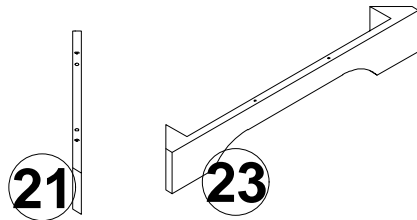
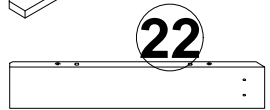
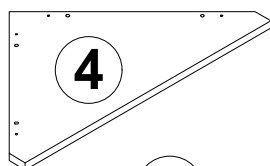
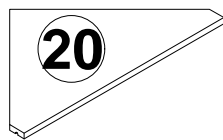
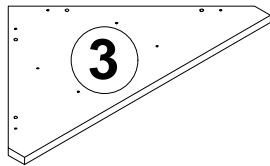
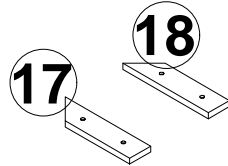
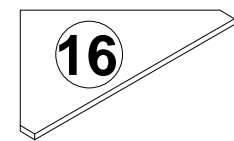
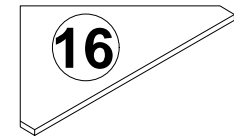
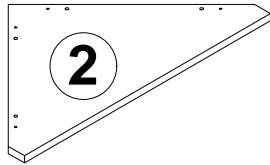
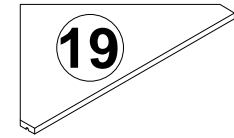
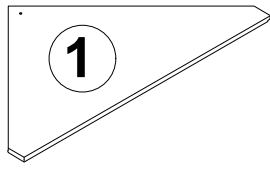
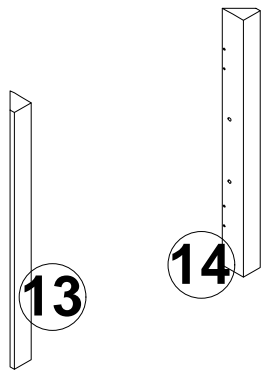
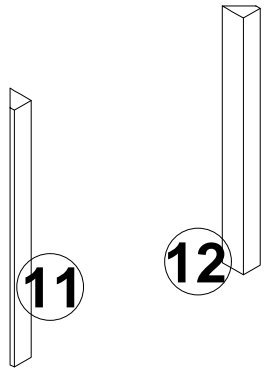
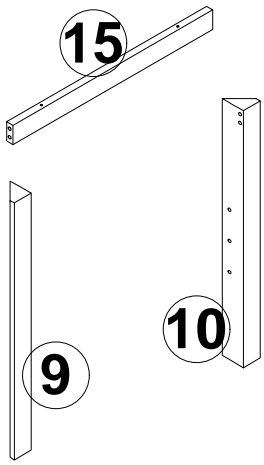
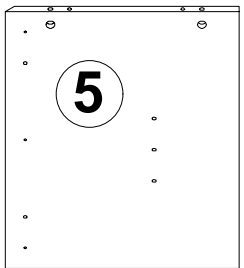
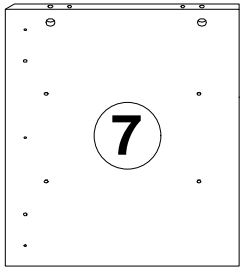
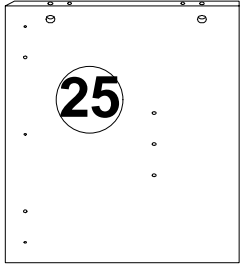
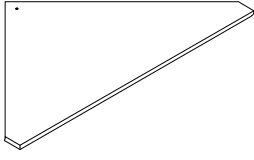
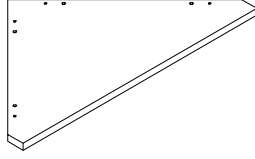
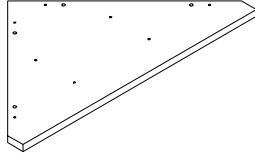
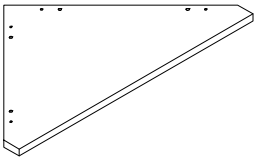
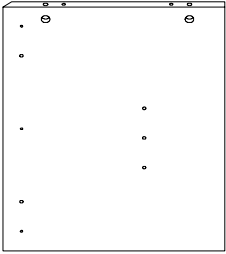
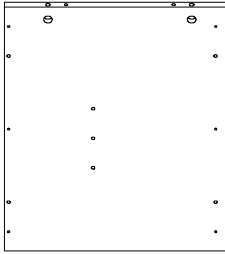
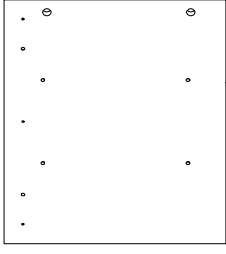
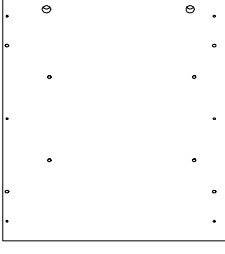






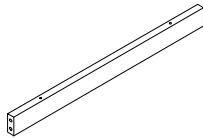
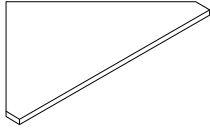
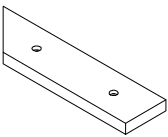
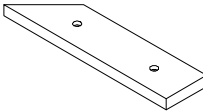
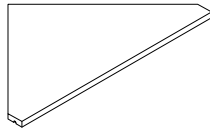
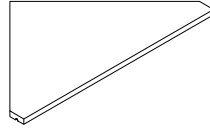

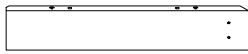
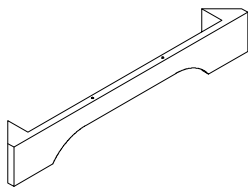
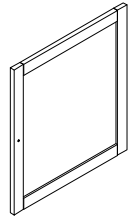
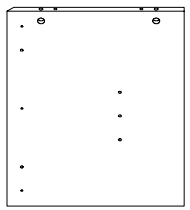
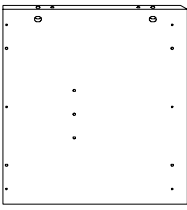

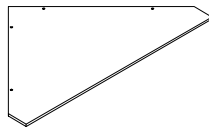
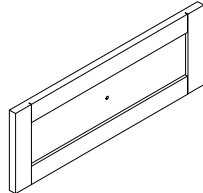

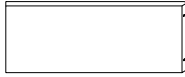
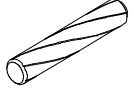
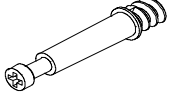

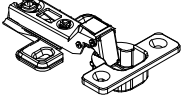
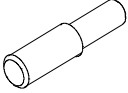
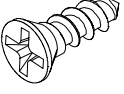
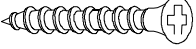
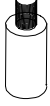
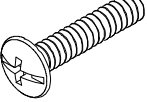

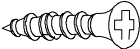
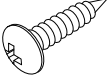
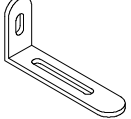
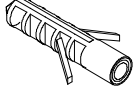
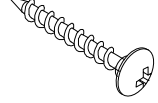
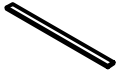


ASSEMBLY INSTRUCTION

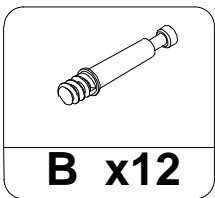
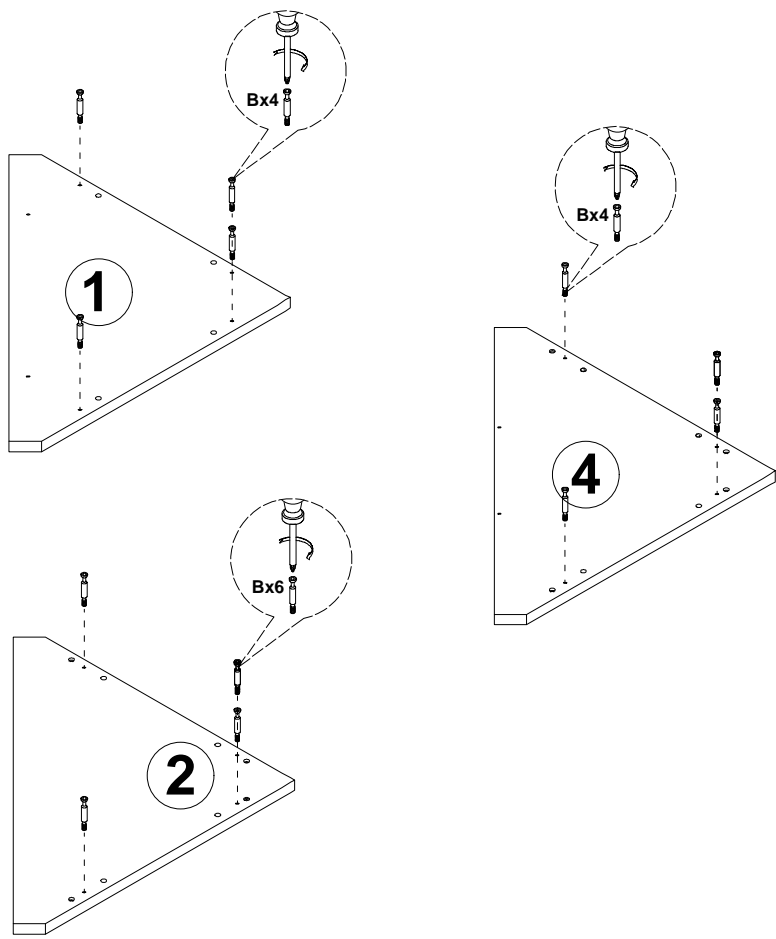




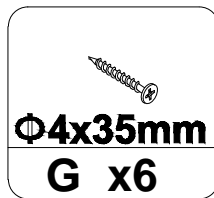
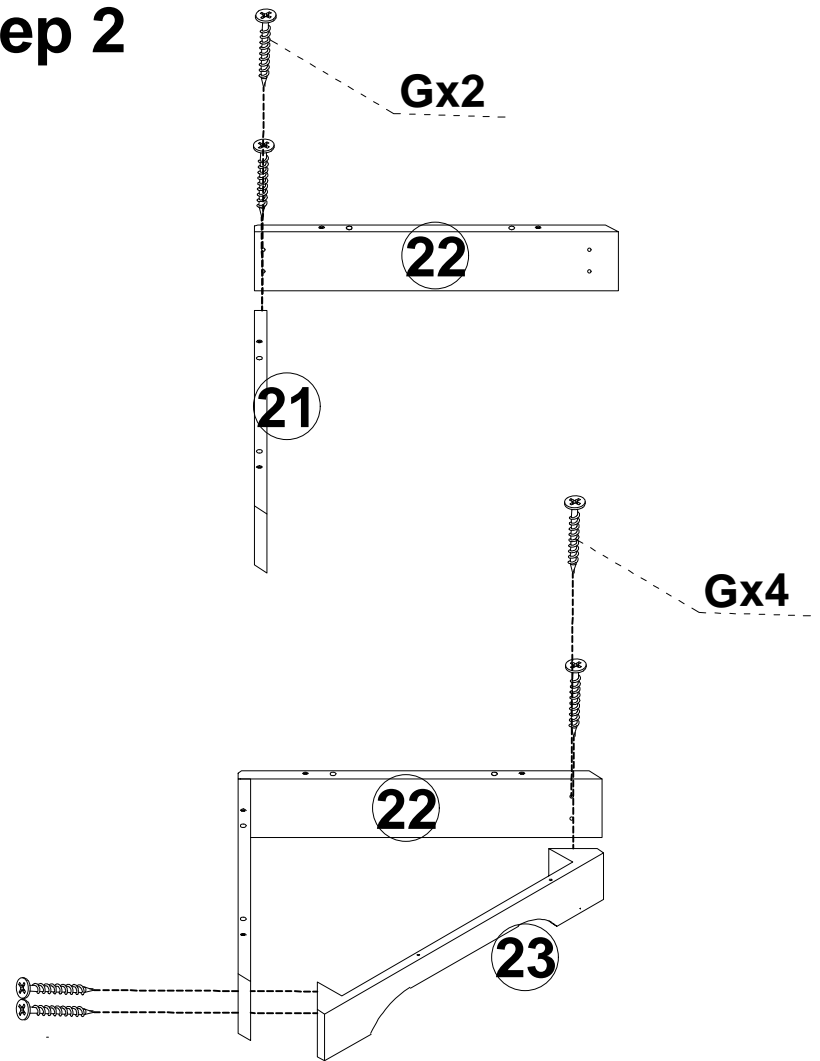
			
① x 1	② x 1	③ x 1	④ x 1
			
⑤ x 1	⑥ x 1	⑦ x 1	⑧ x 1
			
⑨ x 1	⑩ x 1	⑪ x 1	⑫ x 1
			
⑬ x 1	⑭ x 1	⑮ x 1	⑯ x 2
			
⑰ x 1	⑱ x 1	⑲ x 1	⑳ x 1
			
㉑ x 1	㉒ x 1	㉓ x 1	㉔ x 1
			
㉕ x 1	㉖ x 1	㉗ x 6	㉘ x 3
			
㉙ x 3	㉚ x 3	㉛ x 3	

 Φ6x30mm A x 60+3	 B x 28+2	 C x 28+2	 D x 2	 E x 8+1	 Φ4x15mm F x 8+1
 Φ4x35mm G x 64+3	 Hx3	 Φ4x16mm I x 4	 J x 4	 Φ4x25mm K x 16+1	 Φ4x12mm L x 1
 M x 1	 N x 1	 Φ4x45mm O x 4	 P x 6		

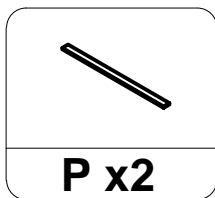
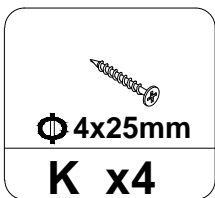
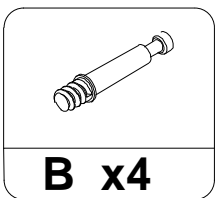
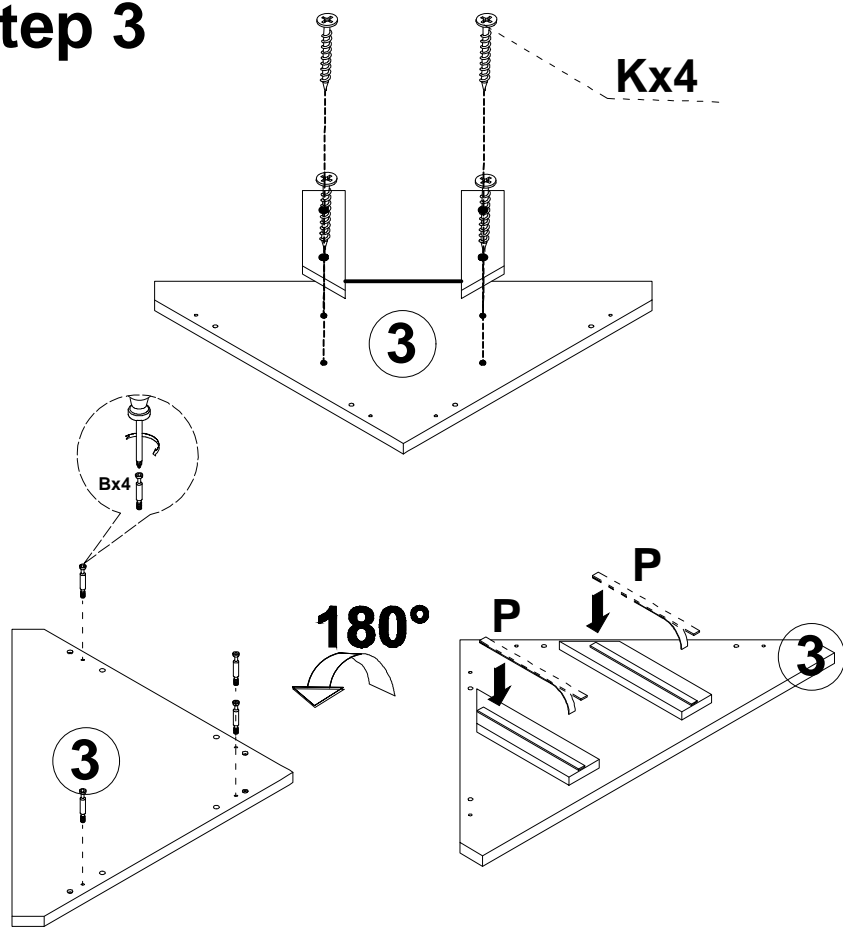
step 1



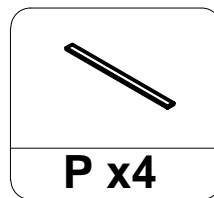
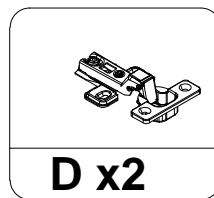
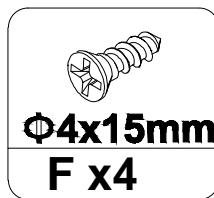
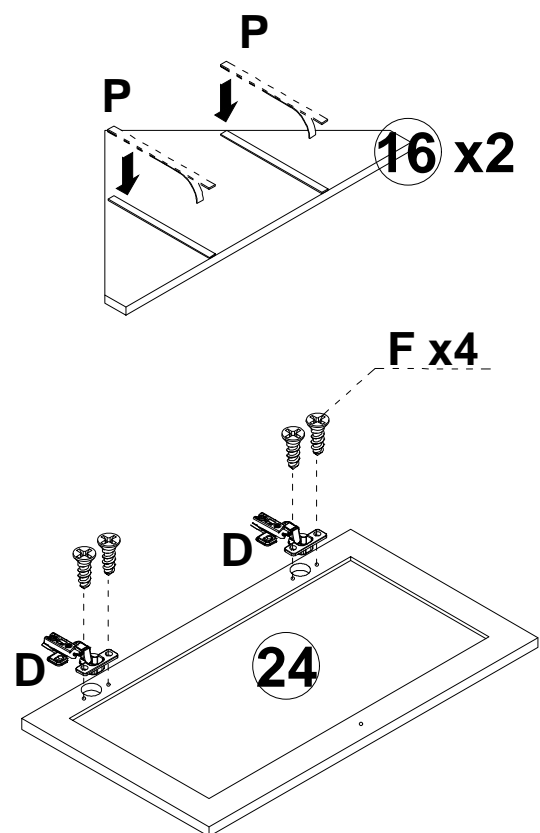
step 2



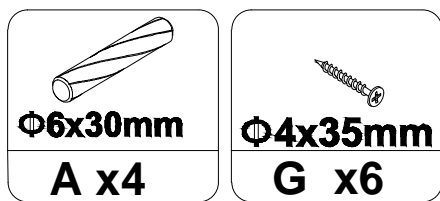
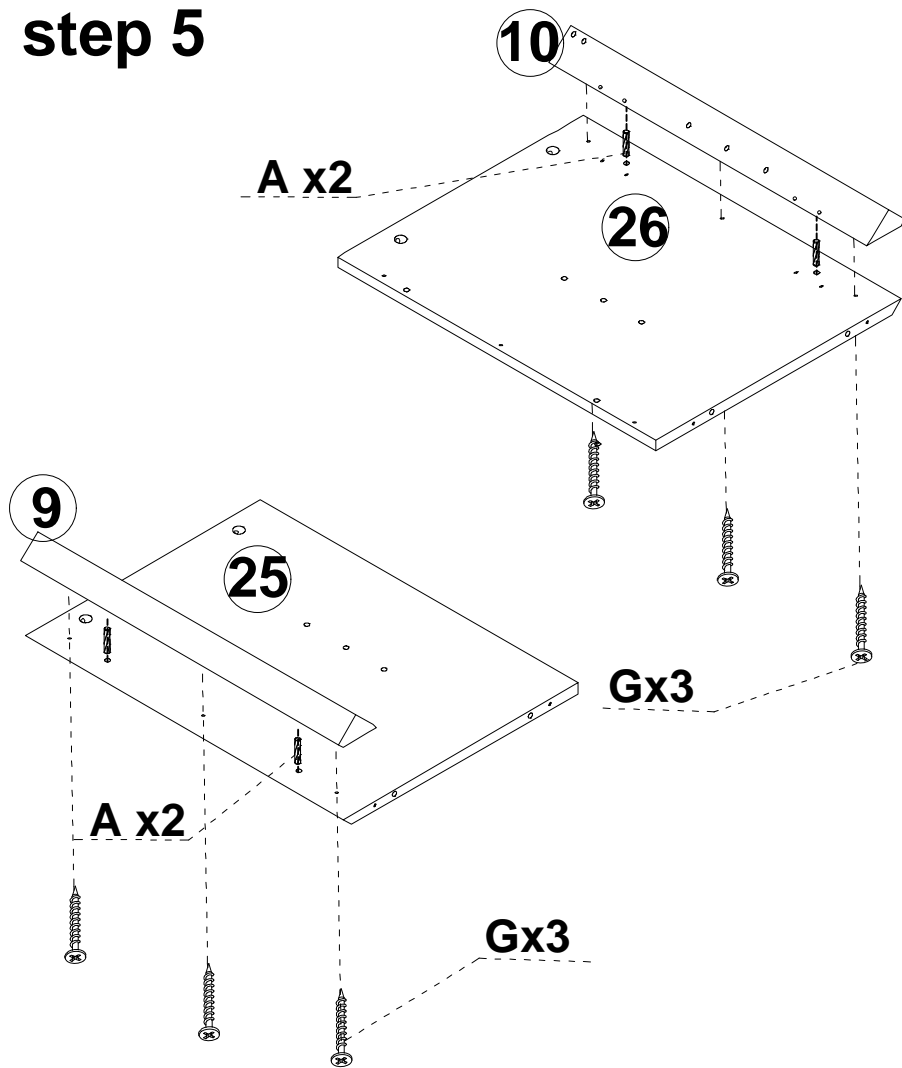
step 3



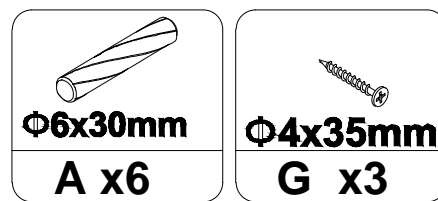
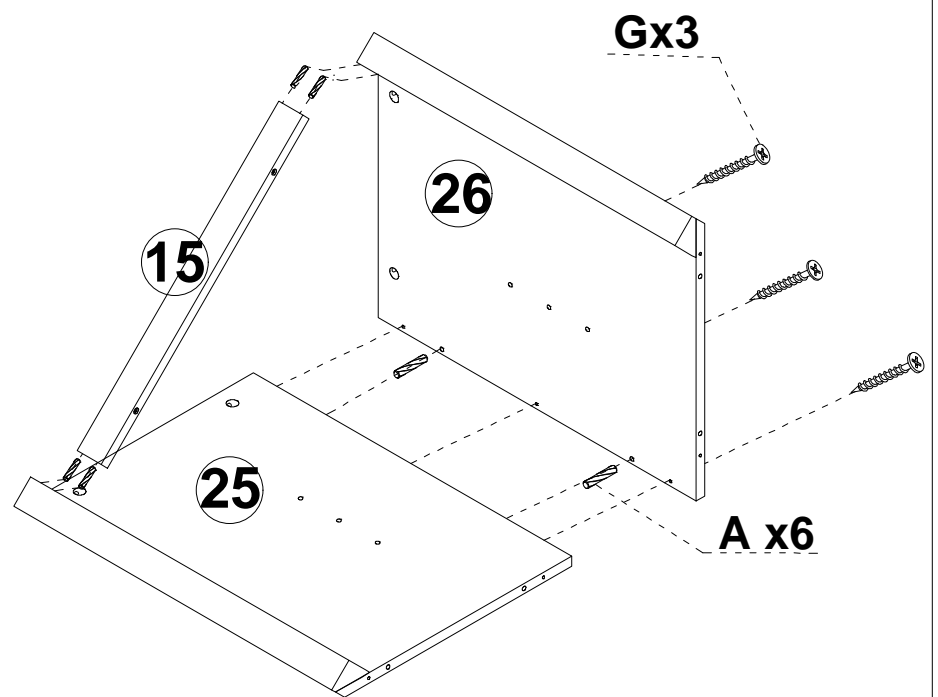
step 4



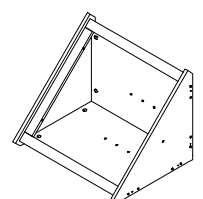
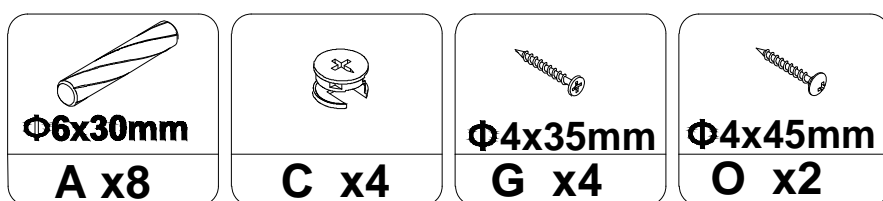
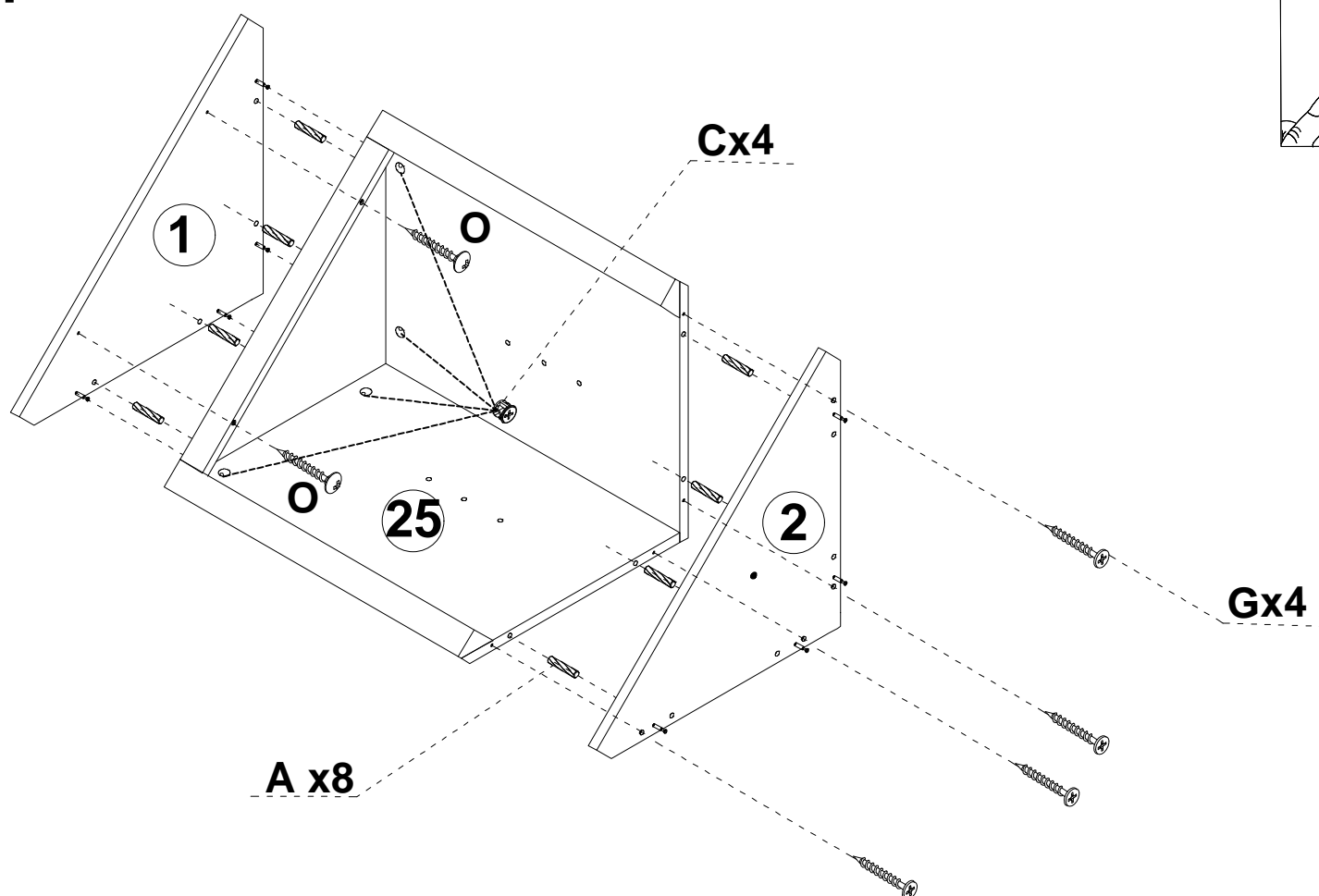
step 5



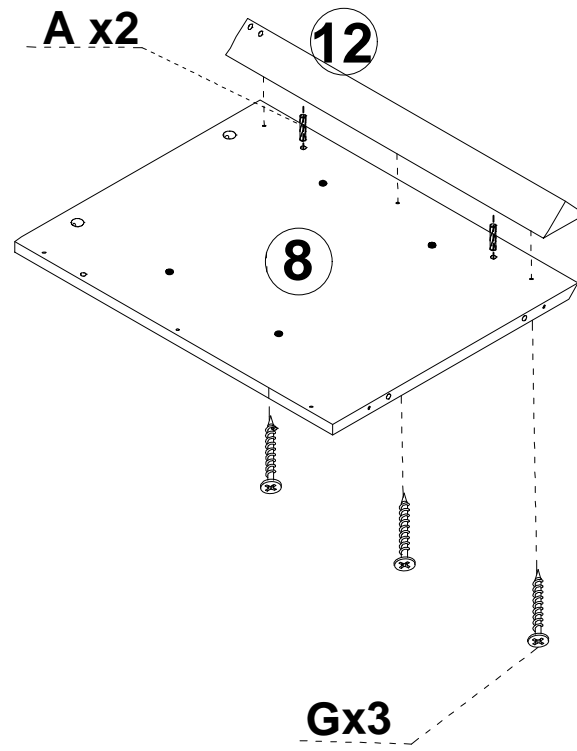
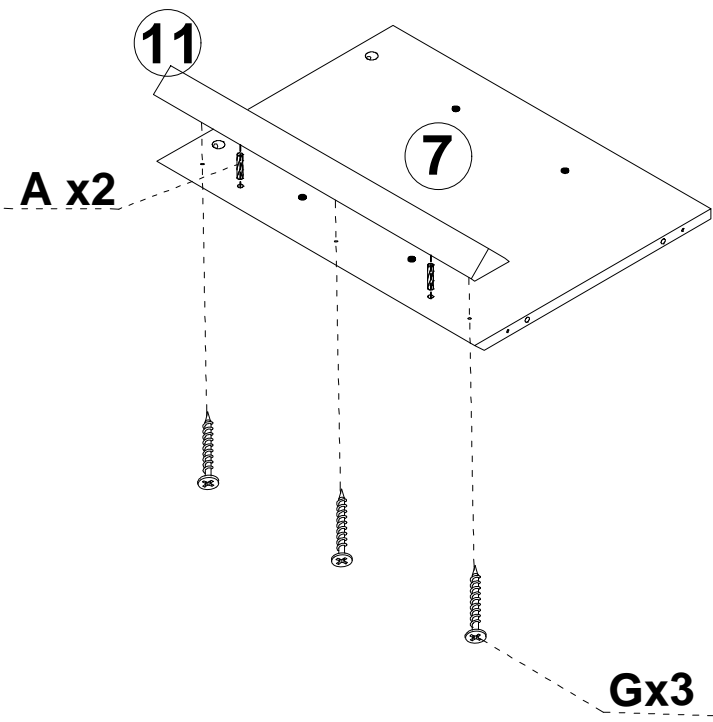
step 6



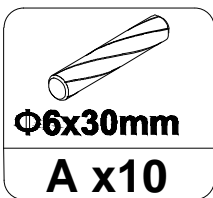
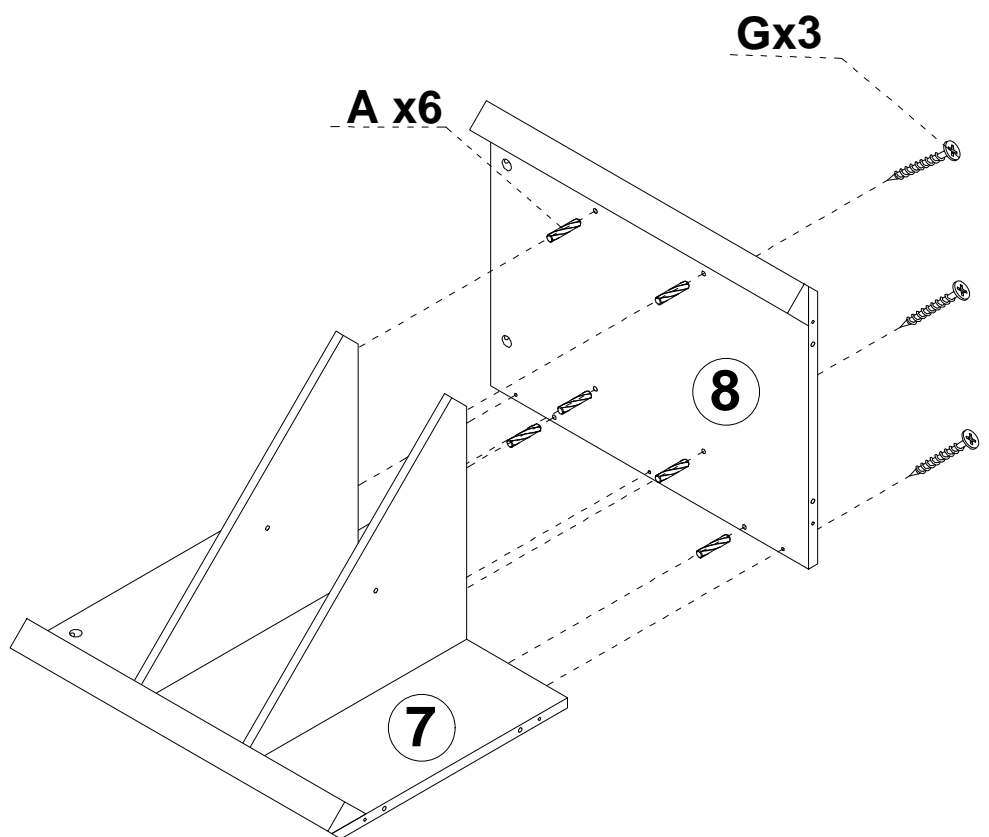
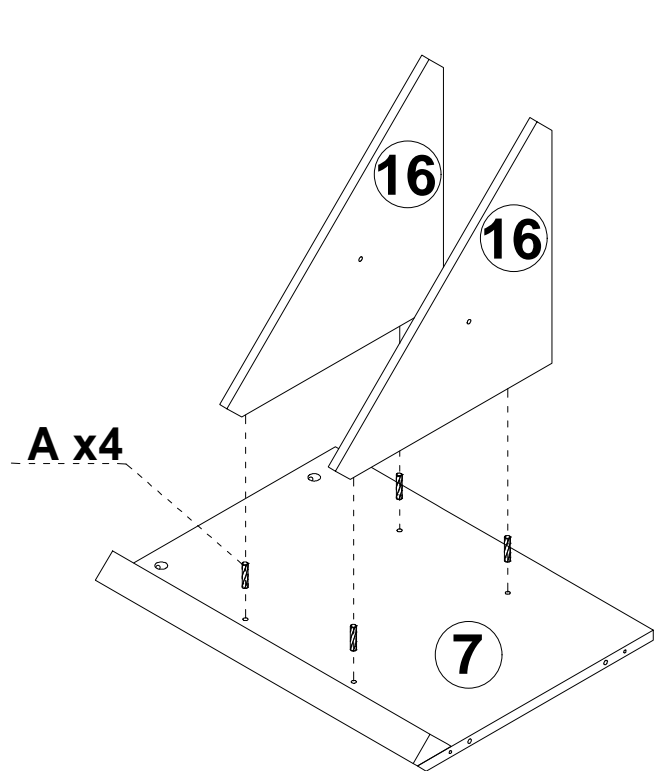
step 7



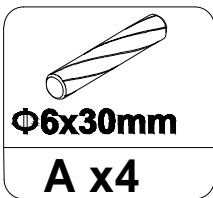
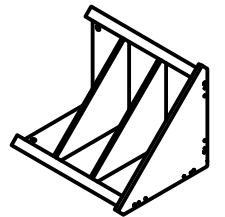
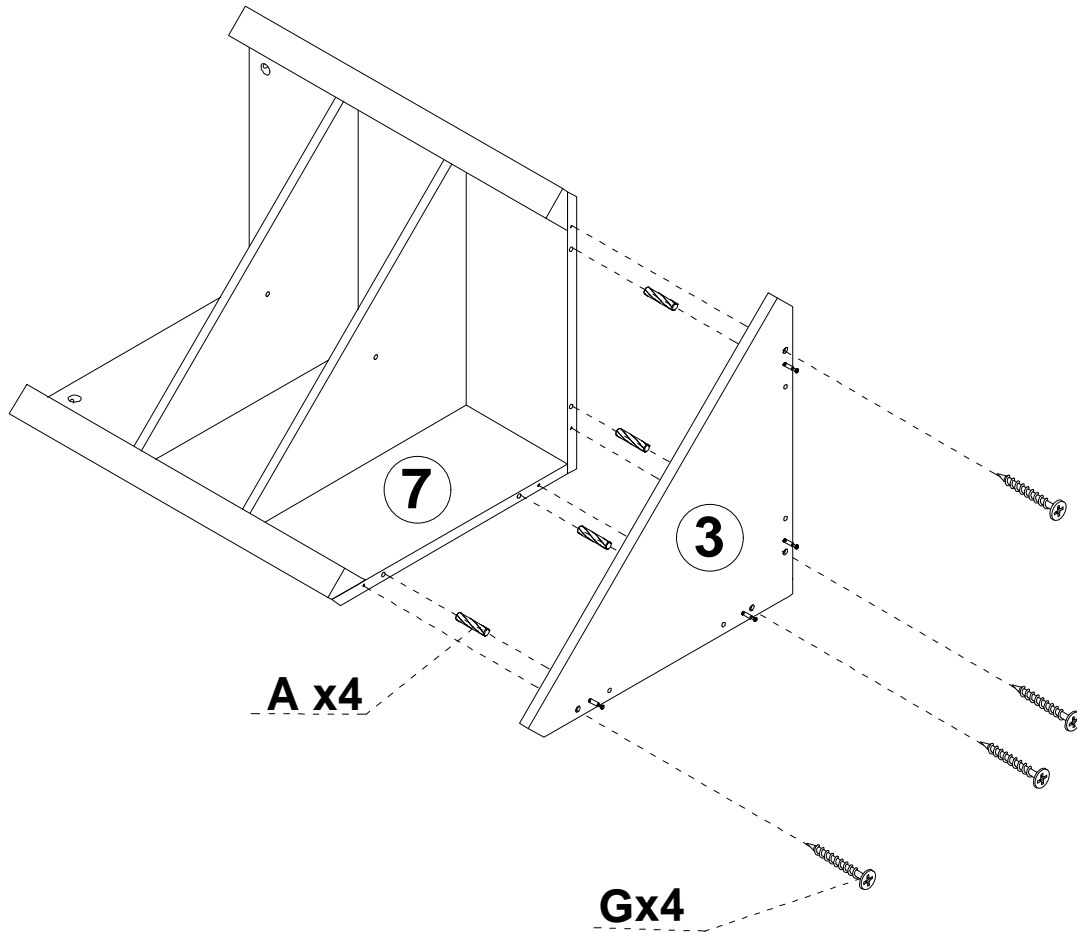
step 8



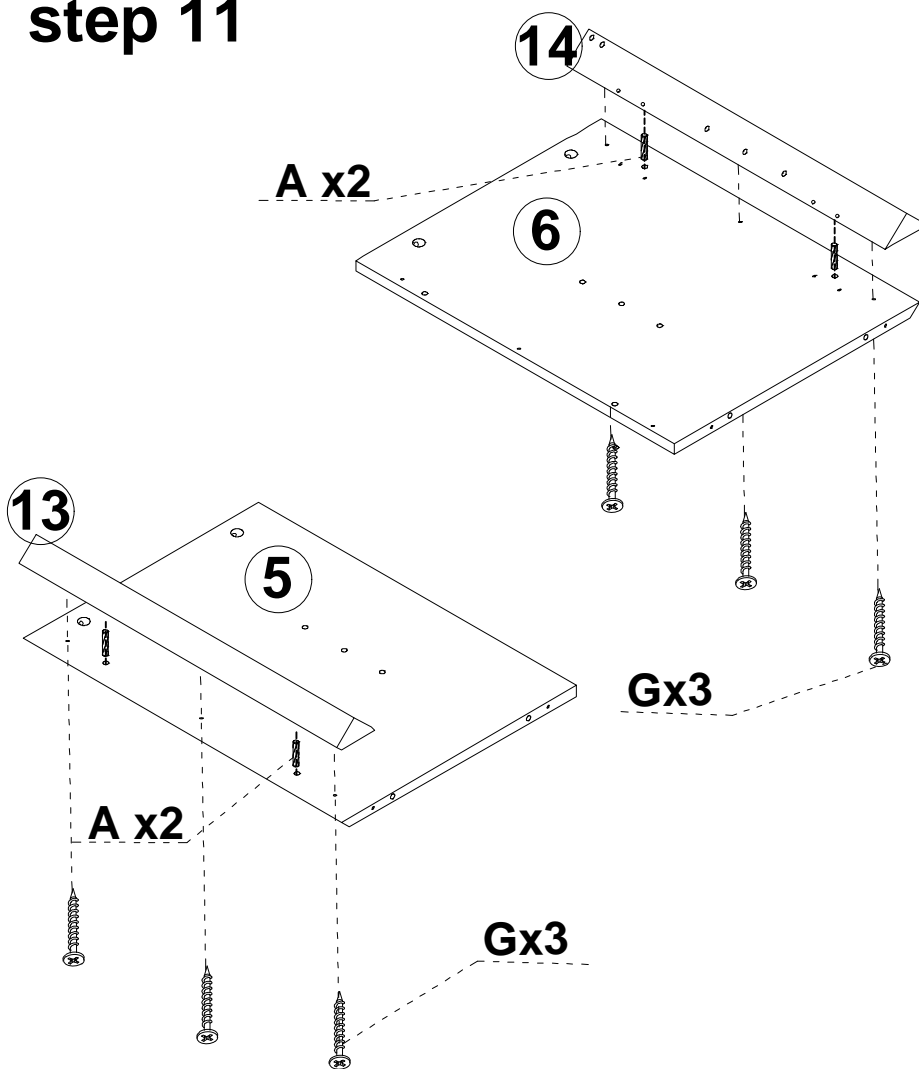
step 9



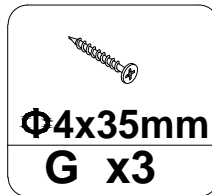
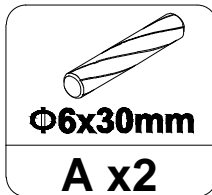
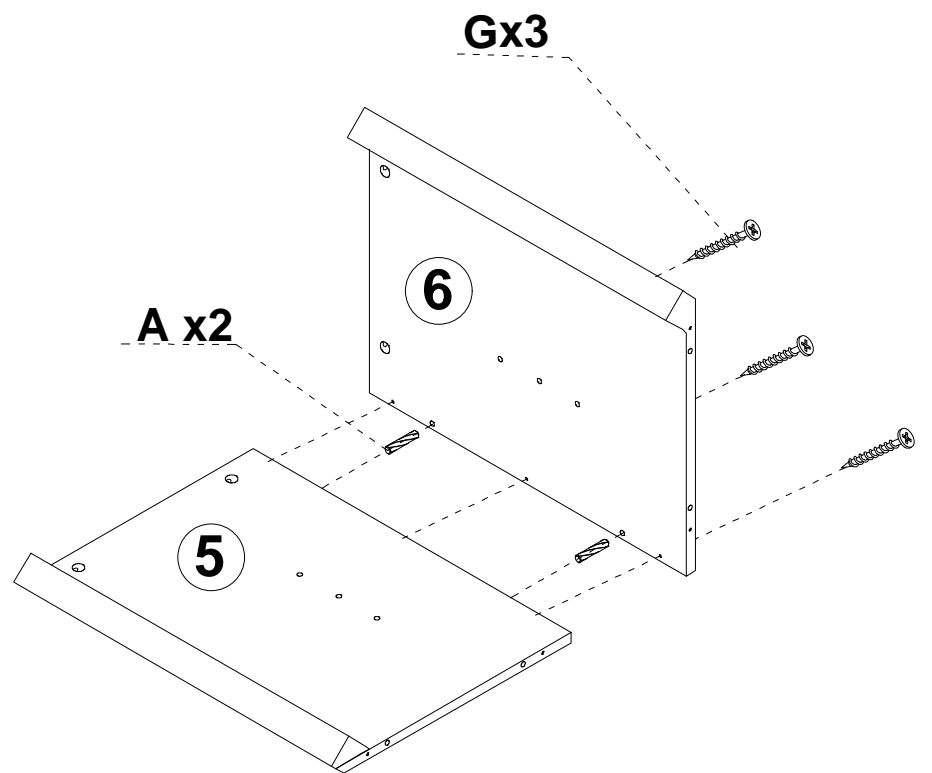
step 10



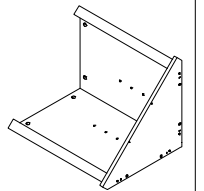
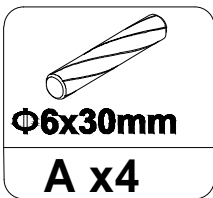
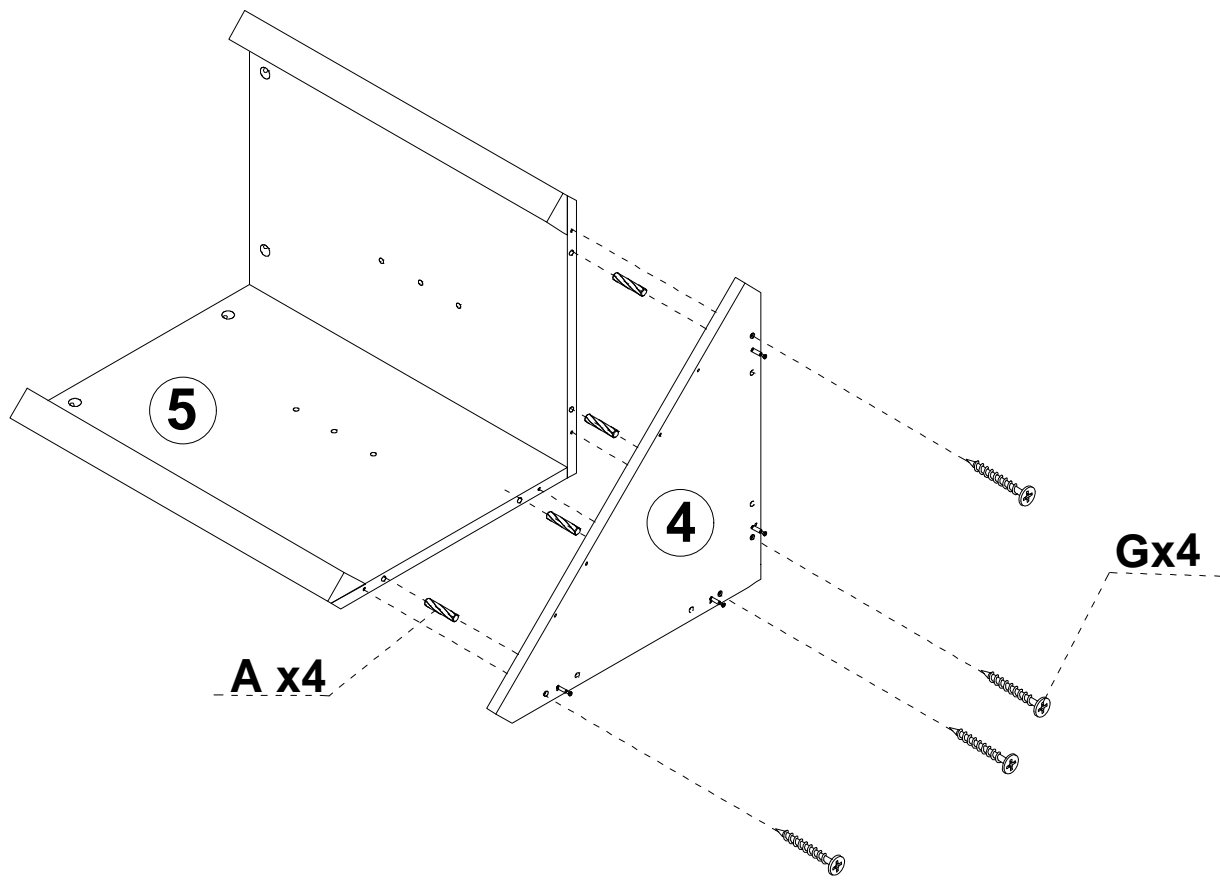
step 11



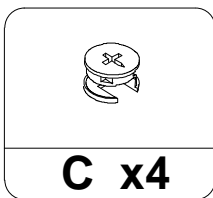
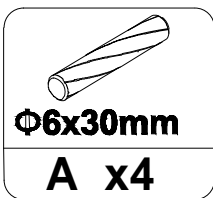
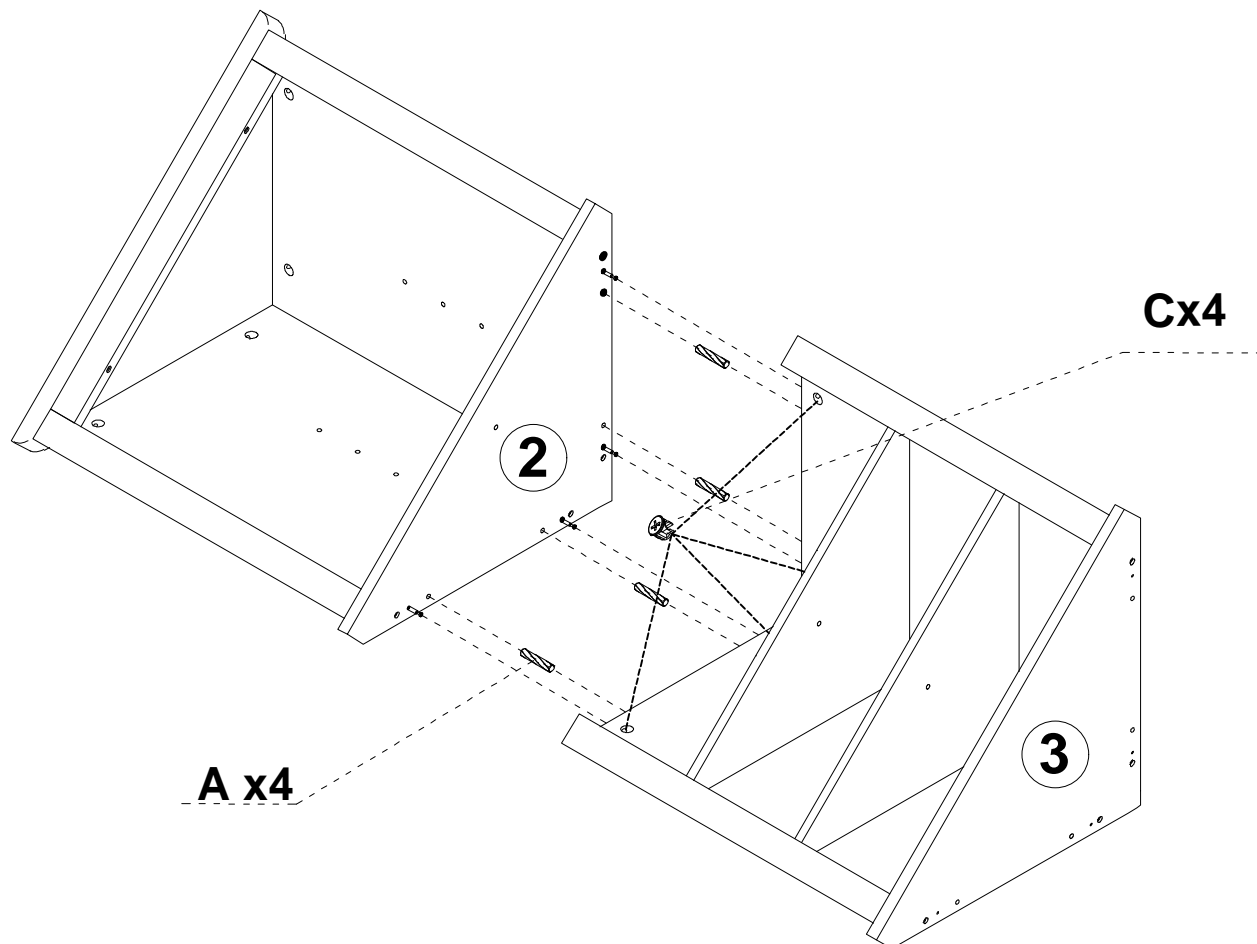
step 12



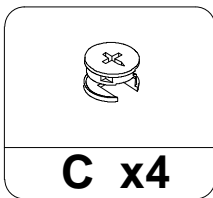
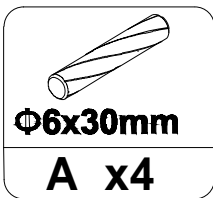
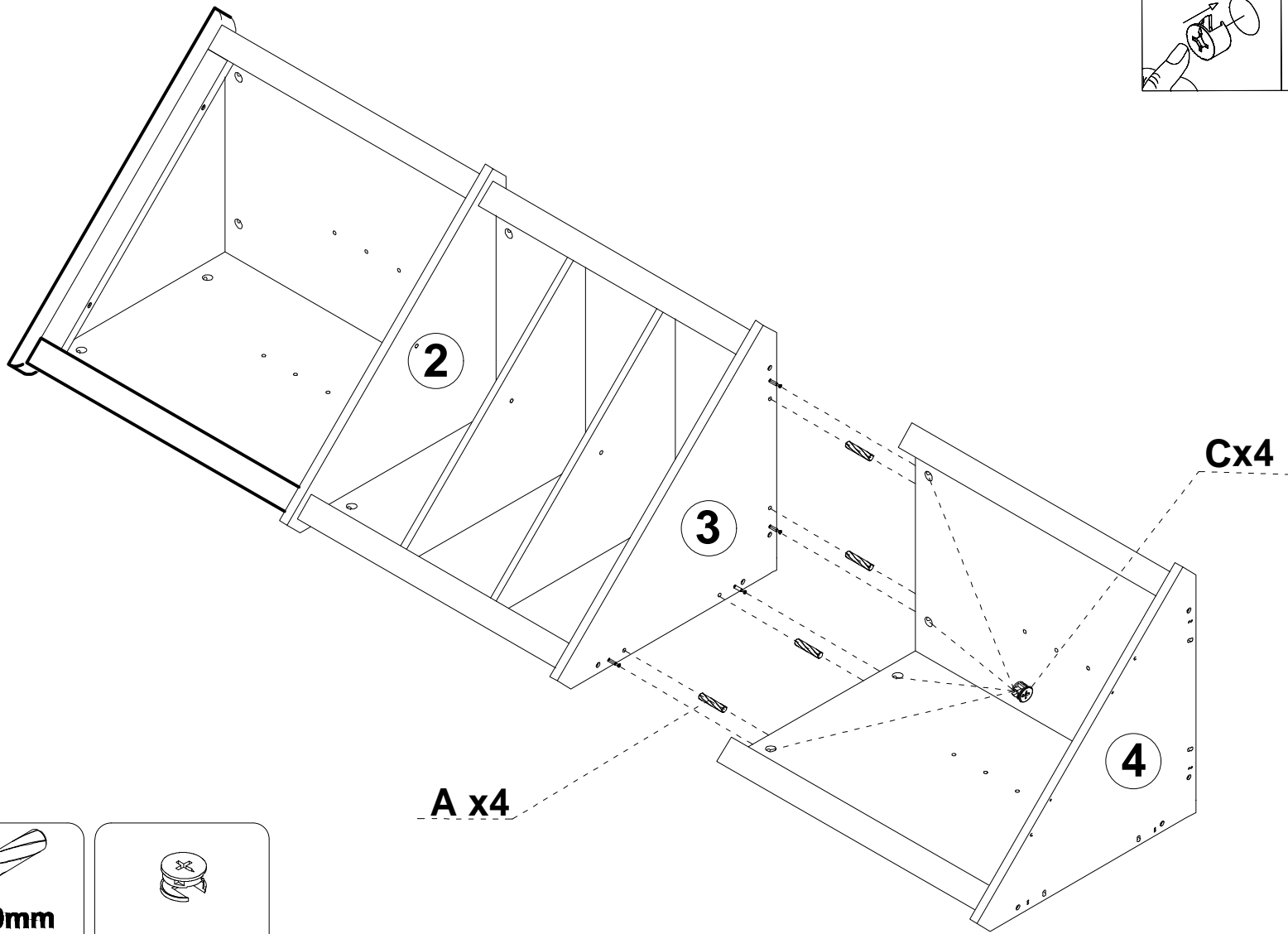
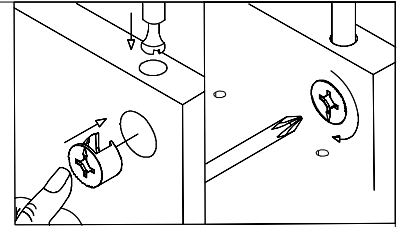
step 13



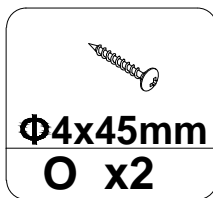
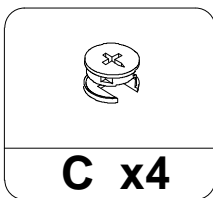
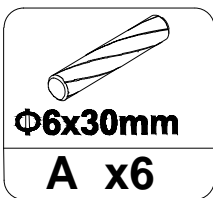
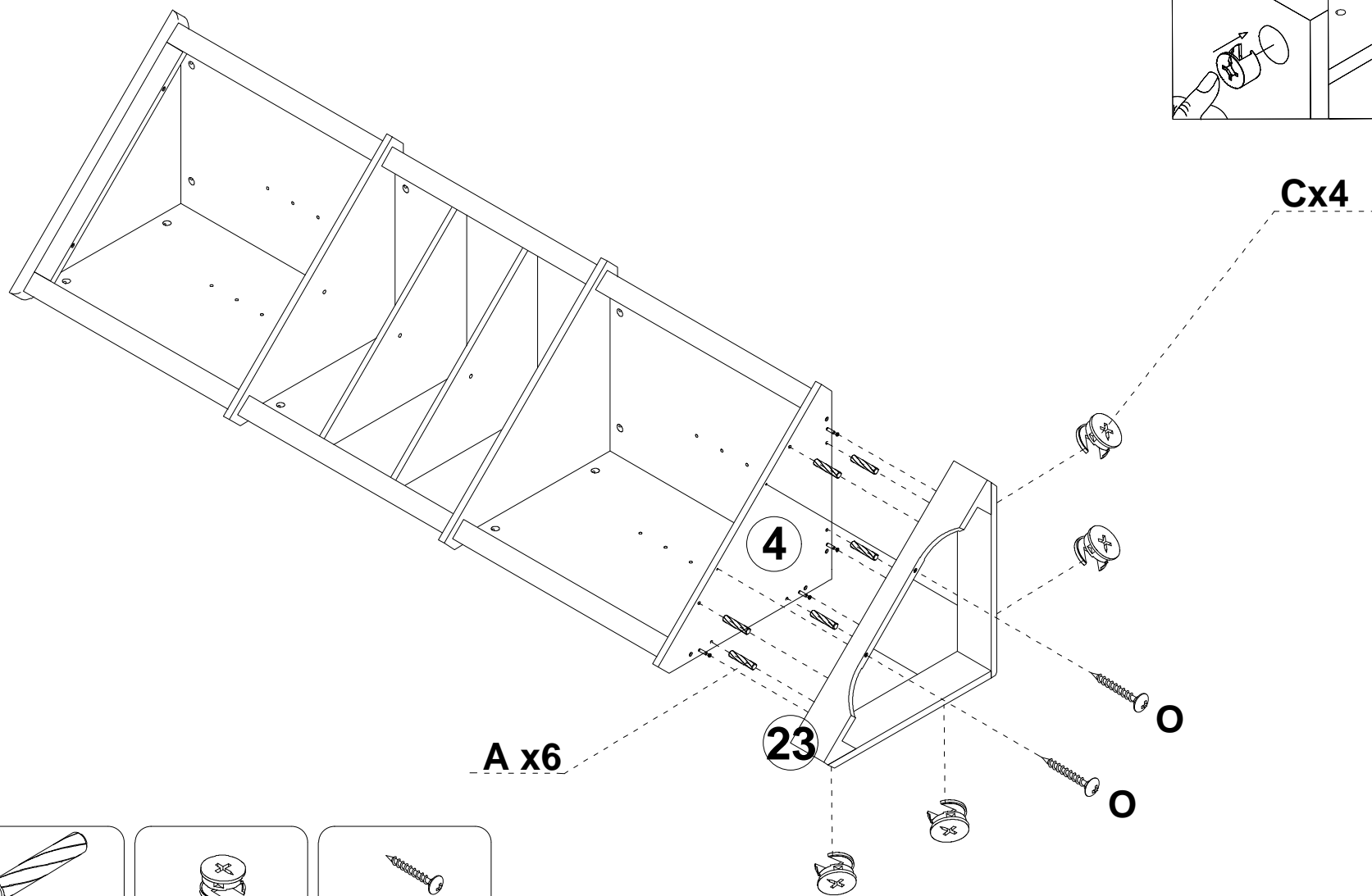
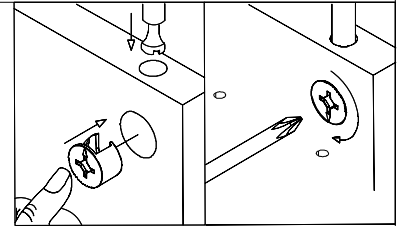
step 14



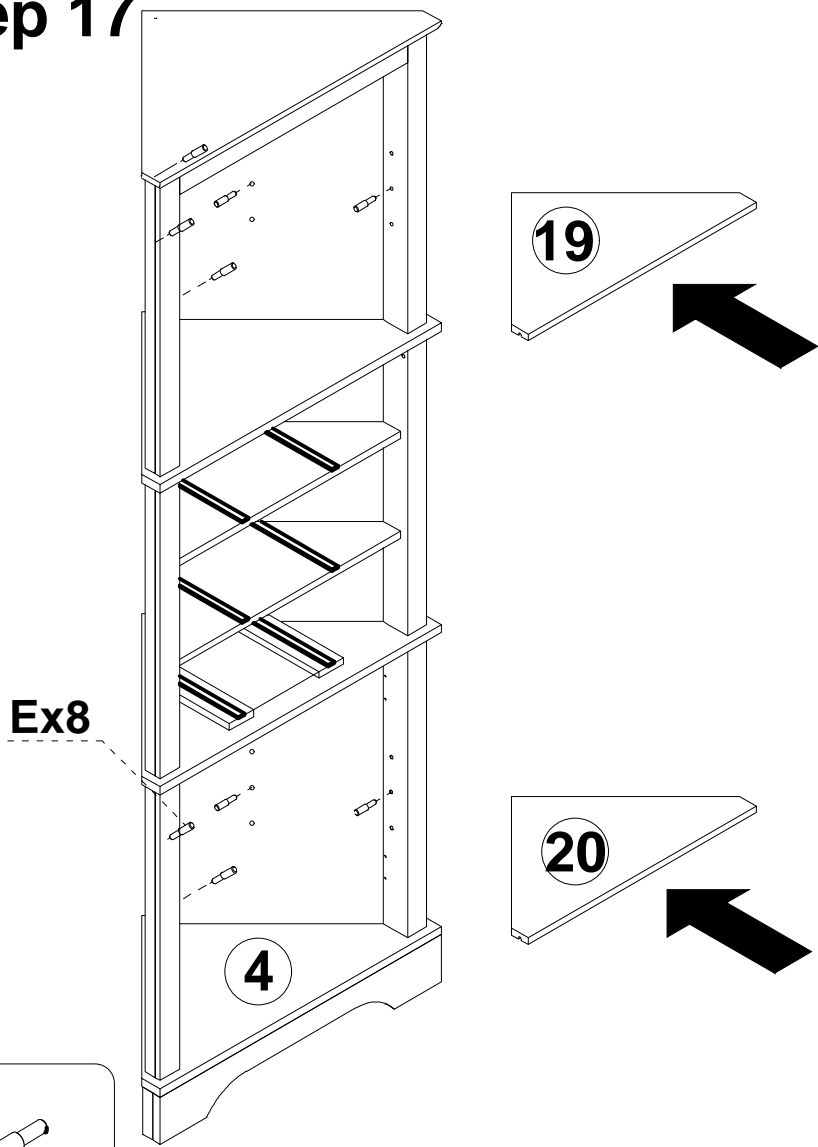
step 15



step 16



step 17



Ex8

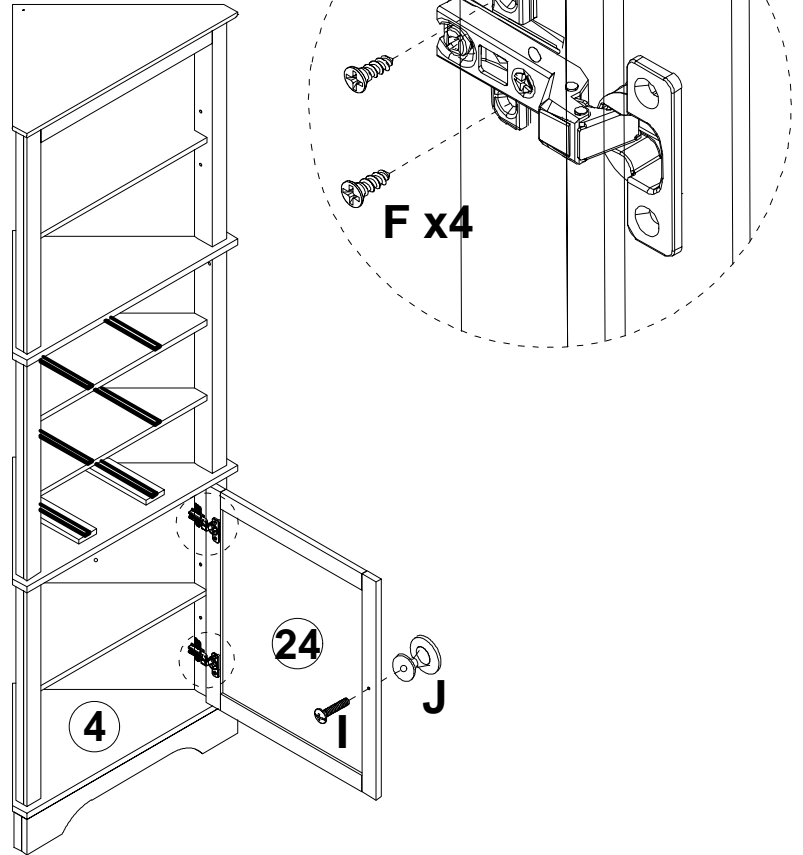
4

19

20

E x8

step 18



F x4

24

4

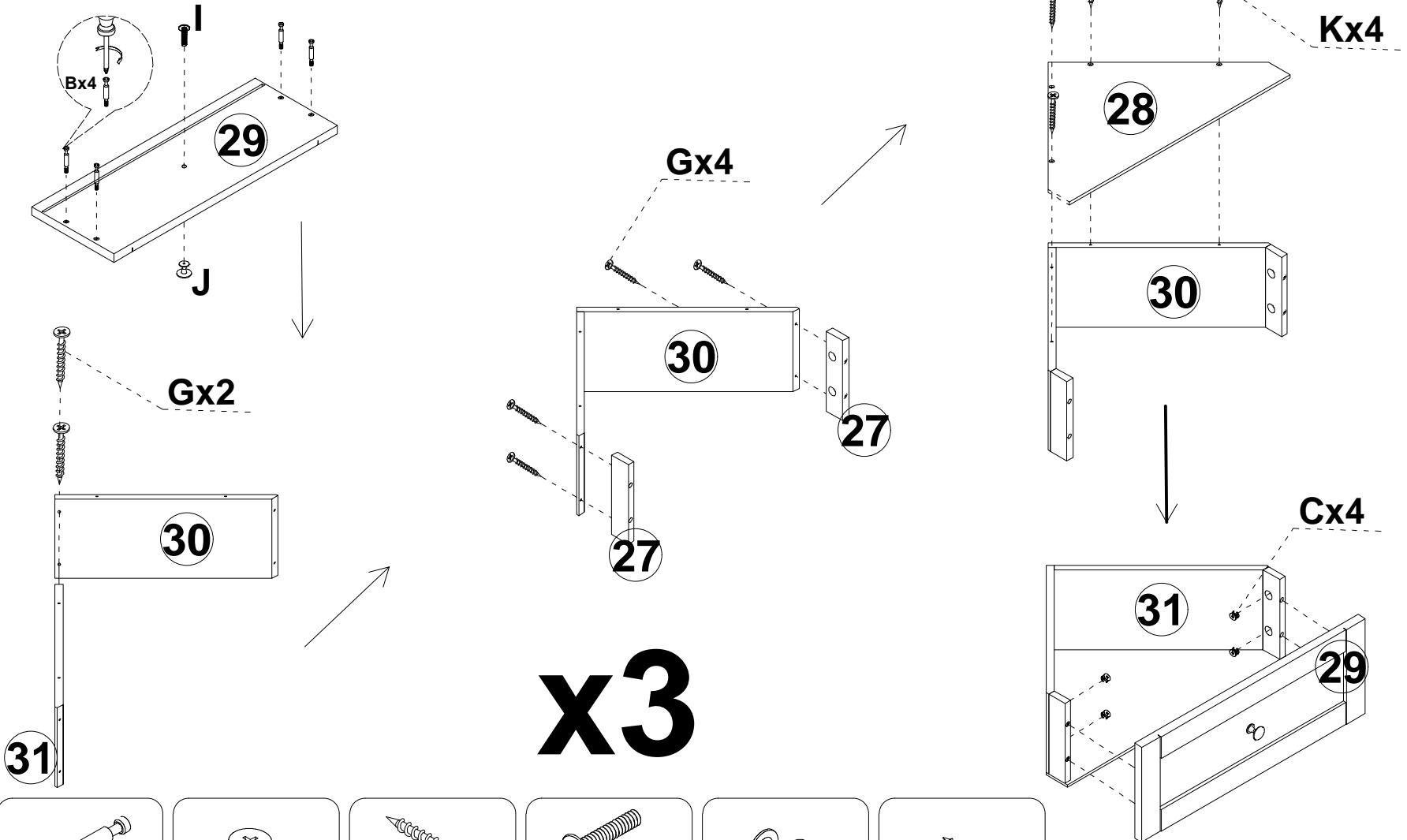
J

Φ4x15mm
F x4

Φ4x16mm
I x1

J x1

step 19



Bx4

29

Gx2

30

Gx4

30

27

27

x3

31

Kx4

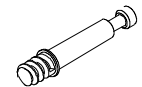
28

30

Cx4

31

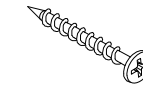
29



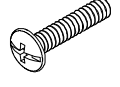
B x 12



C x 12



Φ4x35mm
G x 18



Φ4x16mm
I x 3

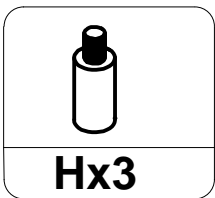
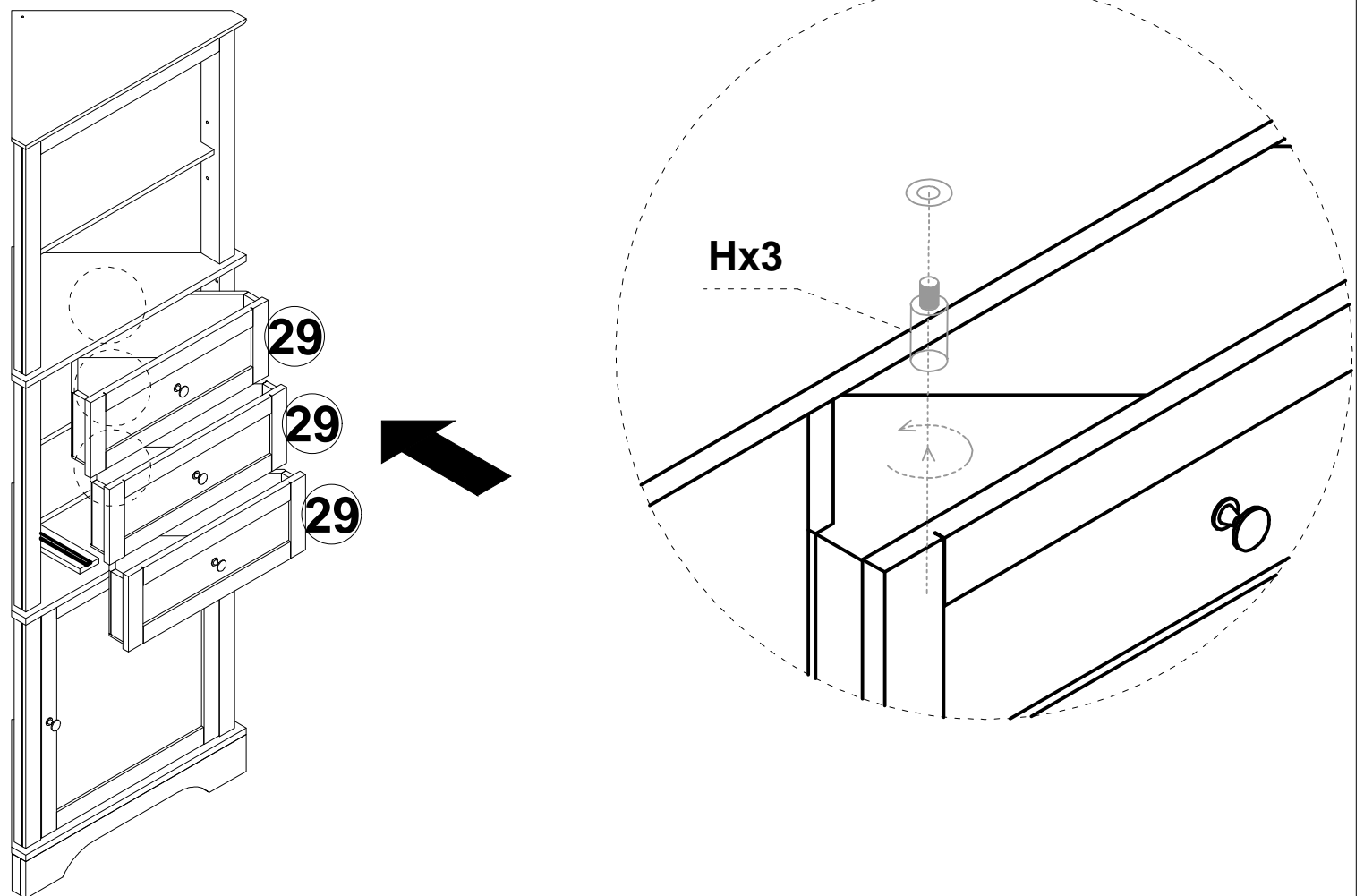


J x 3



Φ4x25mm
K x 12

step 20



step 21

