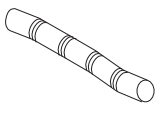
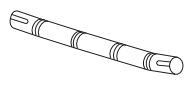
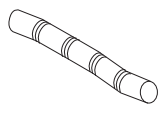
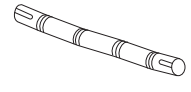
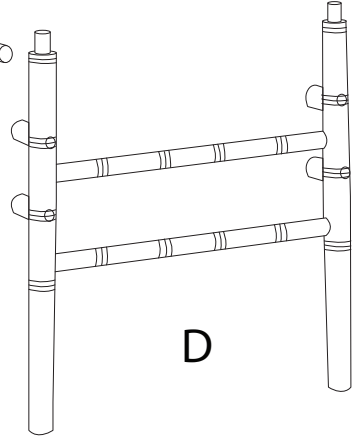
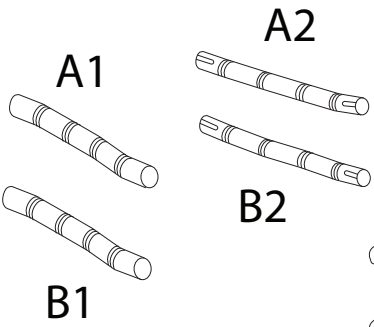
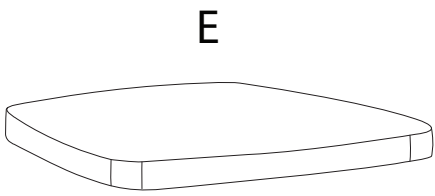
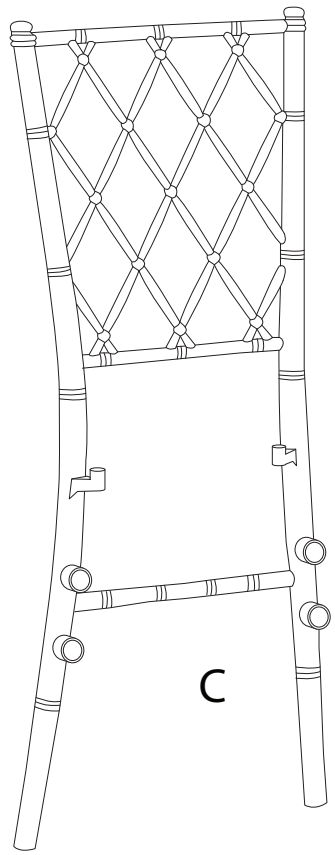
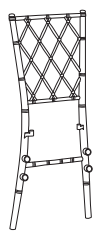
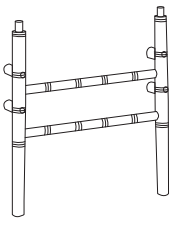

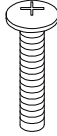
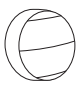


Assembly instructions for step 1/5:

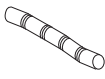
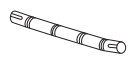
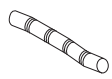
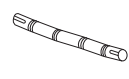
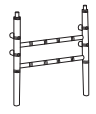
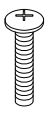
- Tools:** A screwdriver is shown as the required tool. A power drill is shown with a diagonal line through it, indicating it is not to be used.
- Warning:** A warning triangle with an exclamation mark is present.
- Time:** A clock icon indicates a 15-minute assembly time.
- Personnel:** A person icon indicates that 1 person is required for assembly.

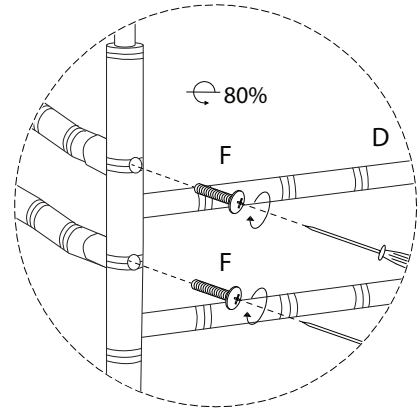
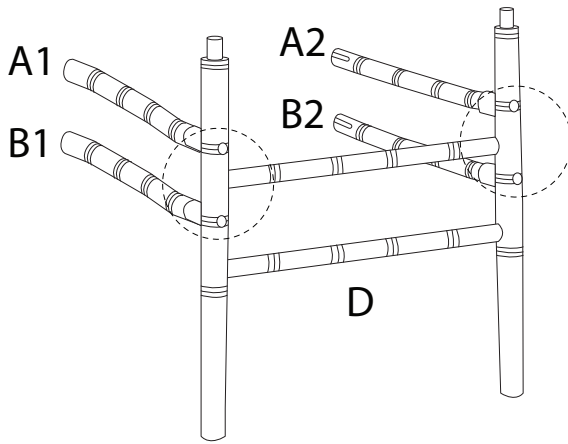
| | | | |
|---|---|--|---|
| A1 | A2 | B1 | B2 |
|  |  |  |  |
| x 1 | x 1 | x 1 | x 1 |




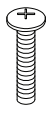
| | | | | |
|---|---|---|---|---|
| C | D | E | F | G |
|  |  |  |  M6 x 25 |  |
| x 1 | x 1 | x 1 | x 10 | x 8 |

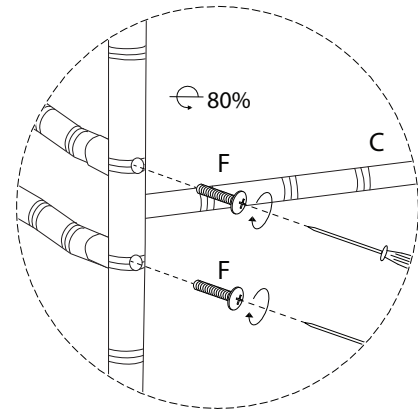
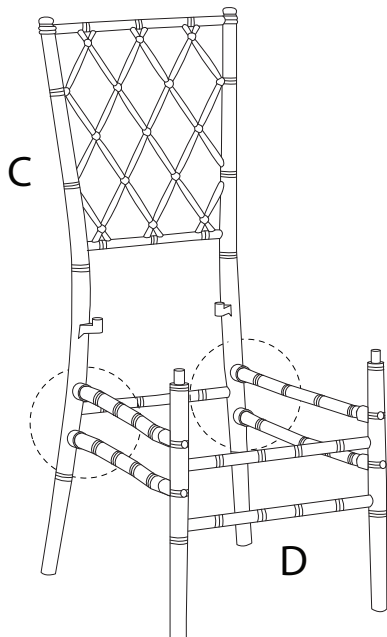
1

| | | | | | |
|--|--|--|---|---|---|
| A1  x 1 | A2  x 1 | B1  x 1 | B2  x 1 | D  x 1 | F  M6 x 25 x 4 |
|--|--|--|---|---|---|



2

| | |
|---|---|
| C  x 1 | F  M6 x 25 x 4 |
|---|---|



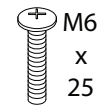
3

E

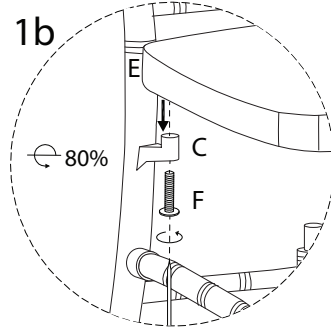
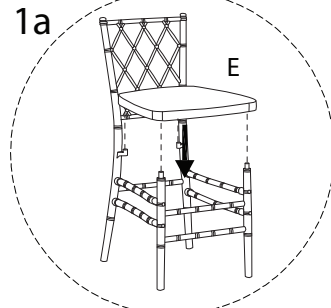
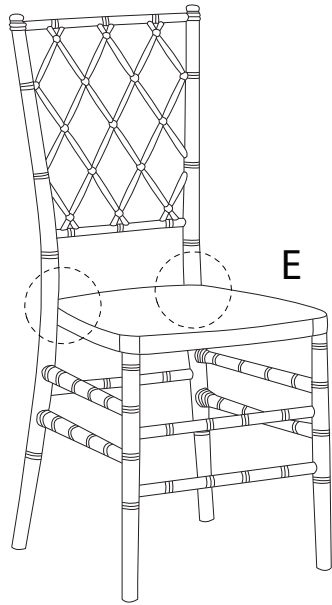


x 1

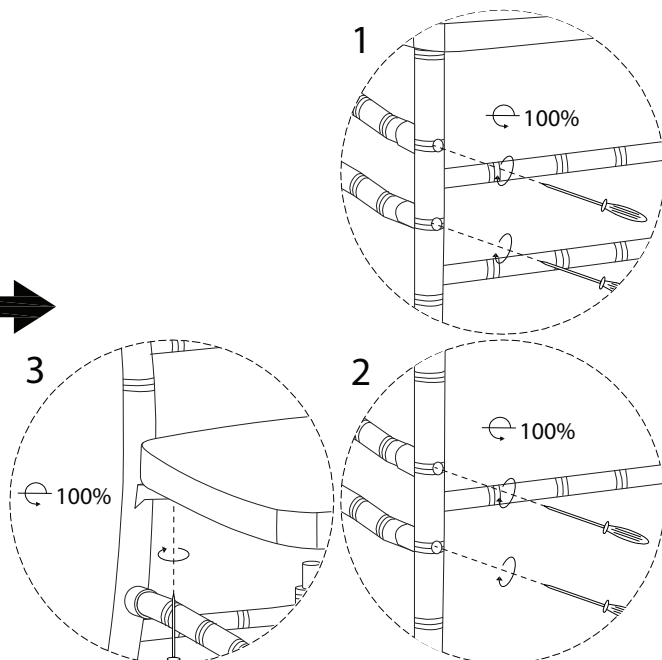
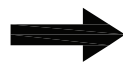
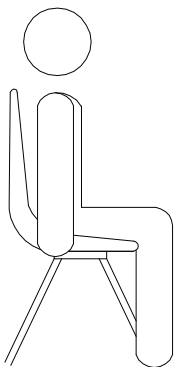
F



x 2



4



5

G



x 8

