

ASSEMBLY INSTRUCTIONS



Glider Recliner

ASSEMBLY INSTRUCTIONS

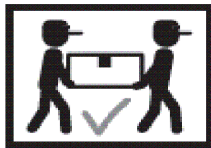
ASSEMBLY TIPS:

- 1.Remove hardware from box and sort by size.
- 2.Please check to see that all hardware and parts are present prior to start of assembly.
- 3.Please follow attached instructions in the same sequence as numbered to assure fast & easy assembly.

WARNING







- 1.Don't attempt to repair or modify parts that are broken or defective. Please contact the store immediately.
- 2.This product is for home use only and not intended for commercial establishments.



ASSEMBLY TIME

5 MINUTES

PARTS IDENTIFICATION

| | | | |
|---|-----------|---|-----|
| A | SEAT |  | 1PC |
| B | BACK |  | 1PC |
| C | LEFT ARM |  | 1PC |
| D | RIGHT ARM |  | 1PC |

HARDWARE IDENTIFICATION

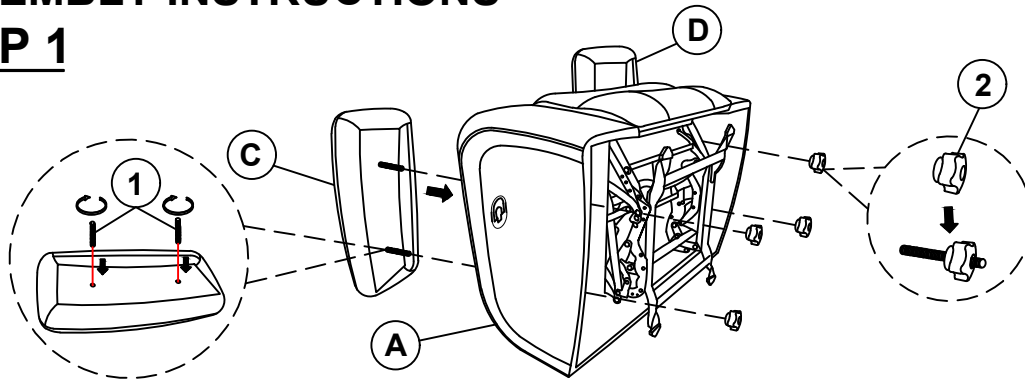
| | | | |
|---|---------------------------|---|------|
| 1 | THREADED BOLT (Φ5/16") |  | 4PCS |
| 2 | NUT (Φ5/16**90L) |  | 4PCS |

NOTE:

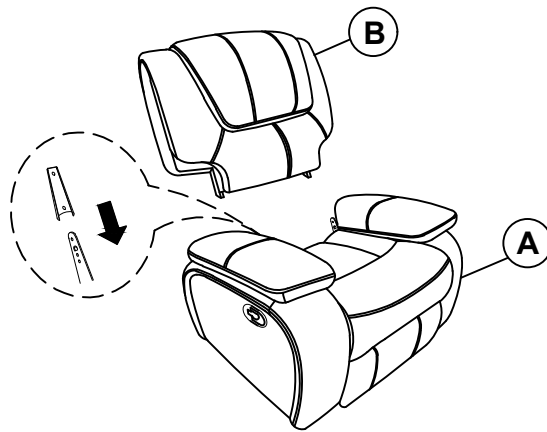
Phillips head screw driver is required in the assembly process ; however, manufacturer does not provide this item.

ASSEMBLY INSTRUCTIONS

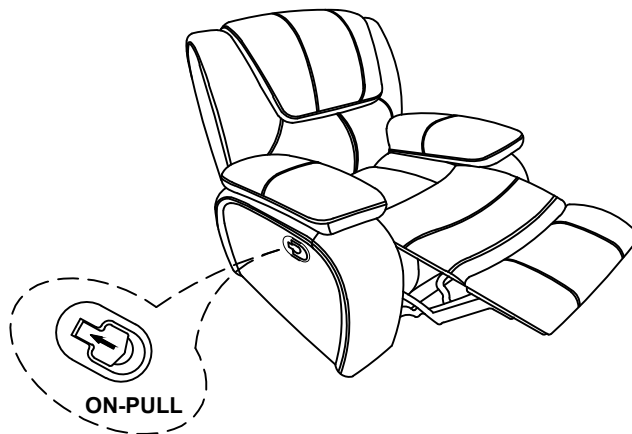
STEP 1



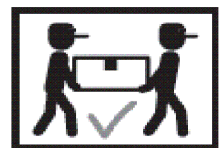
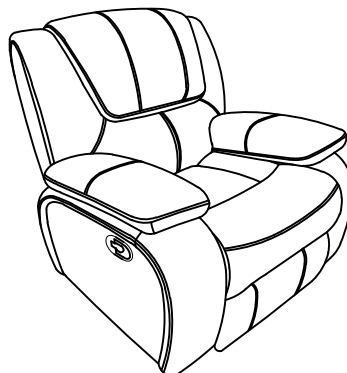
STEP 2

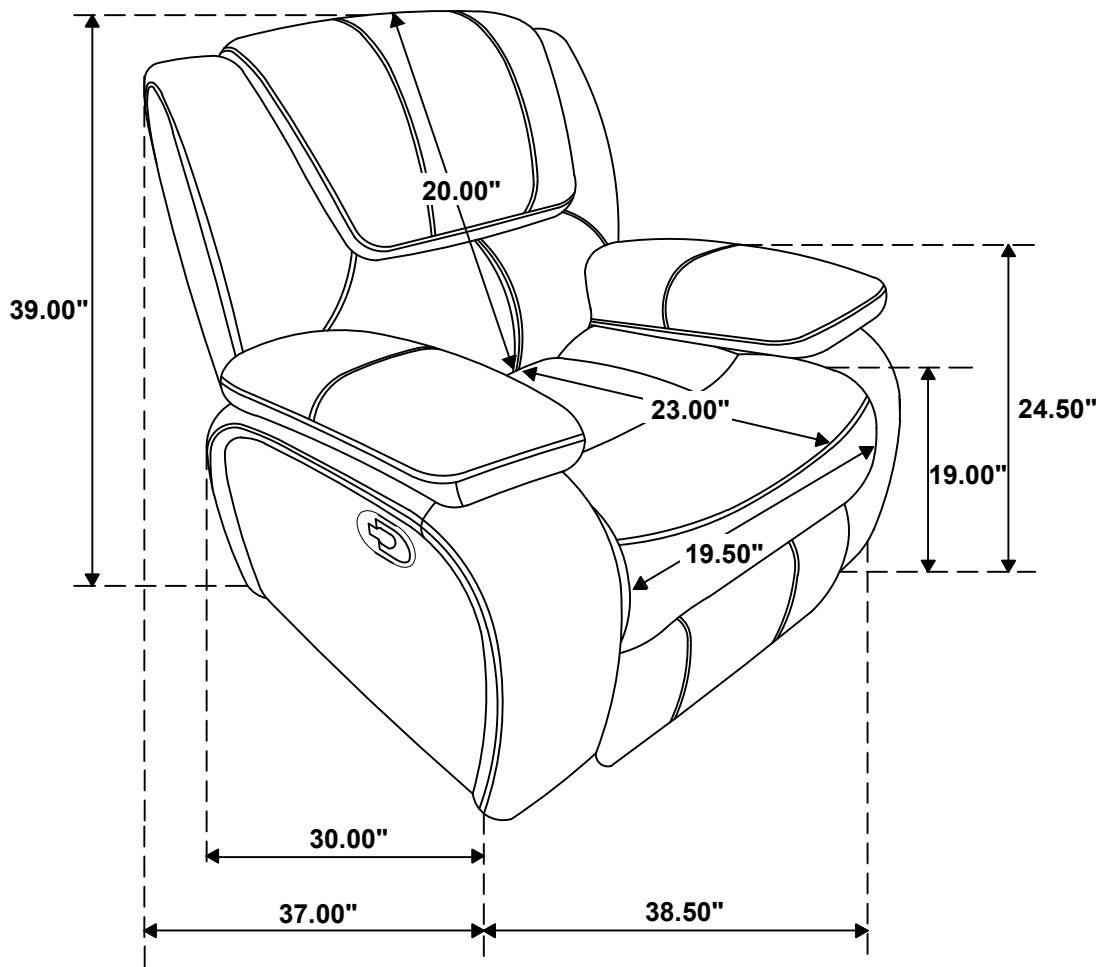


STEP 3



STEP 4 **COMPLETE**





Note: Dimension tolerance $\pm 5\%$