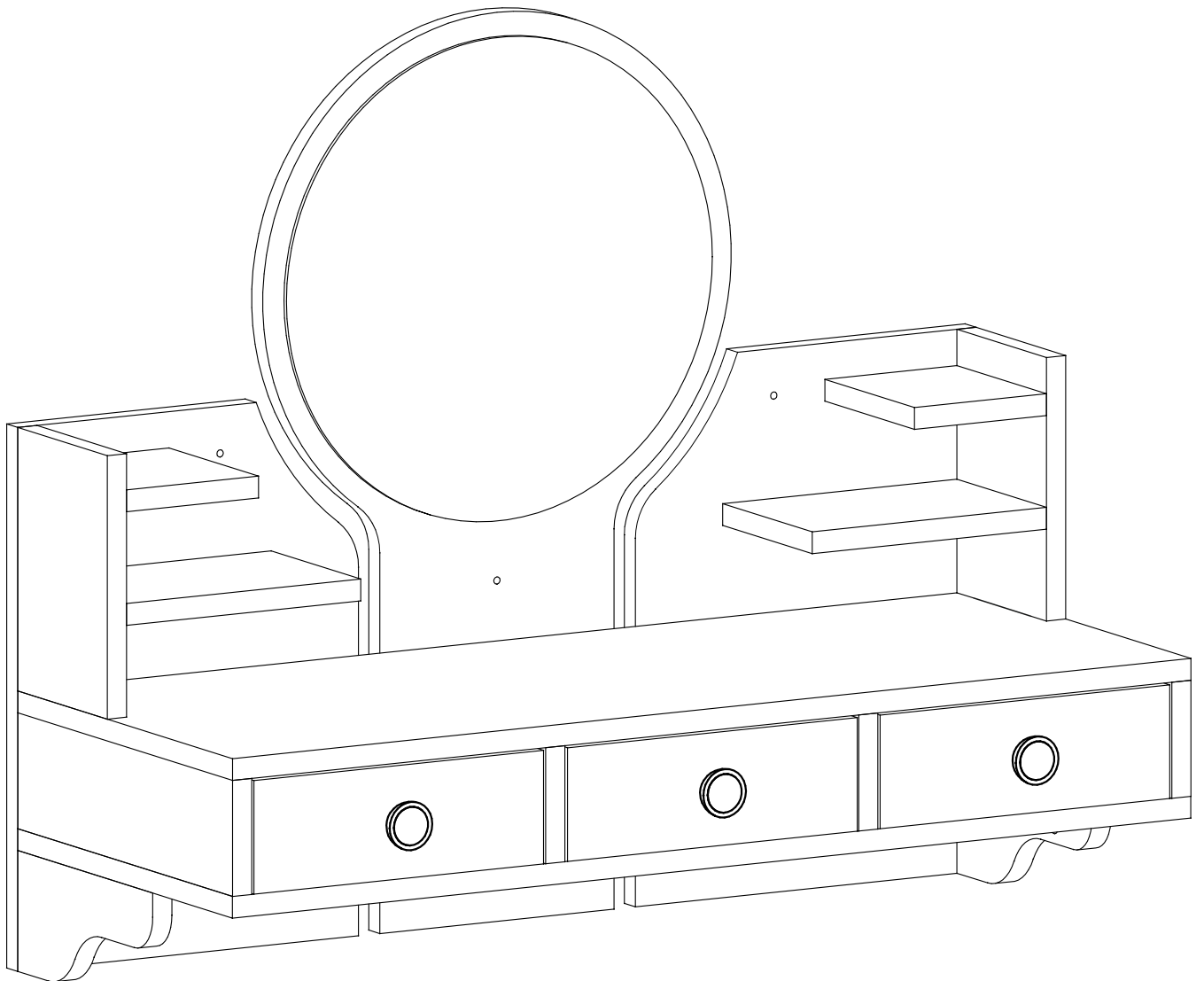
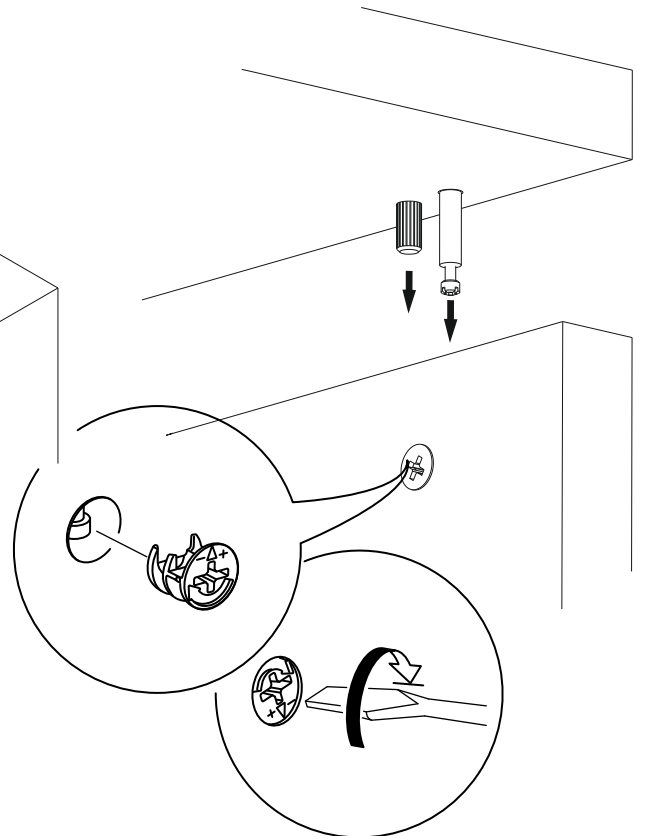
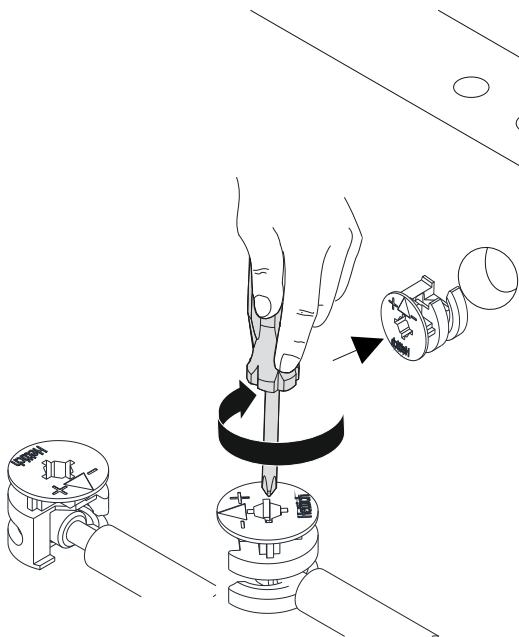
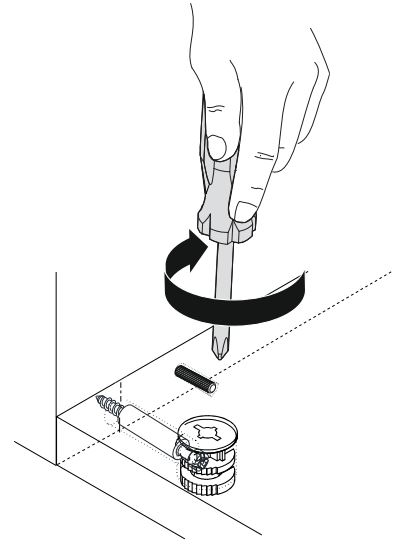
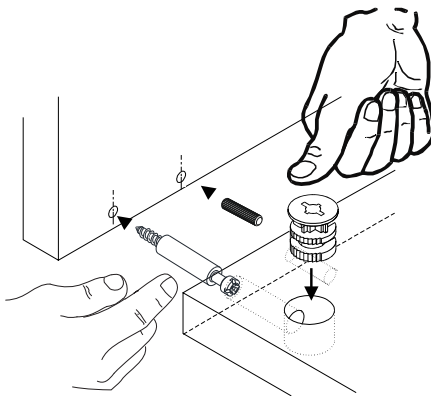
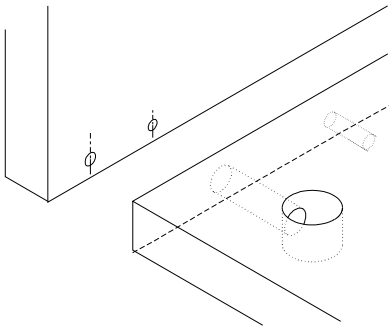
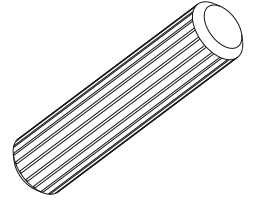
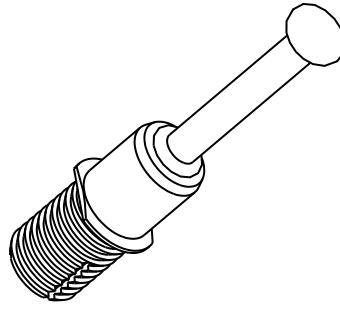
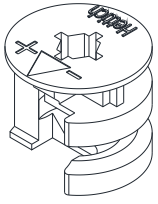


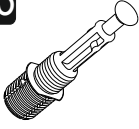

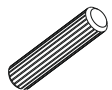

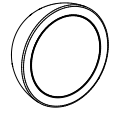

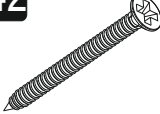
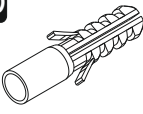
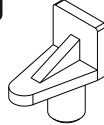




FLOATING MAKEUP TABLE

MONTAJ KLAVUZU / ASSEMBLY MANUAL

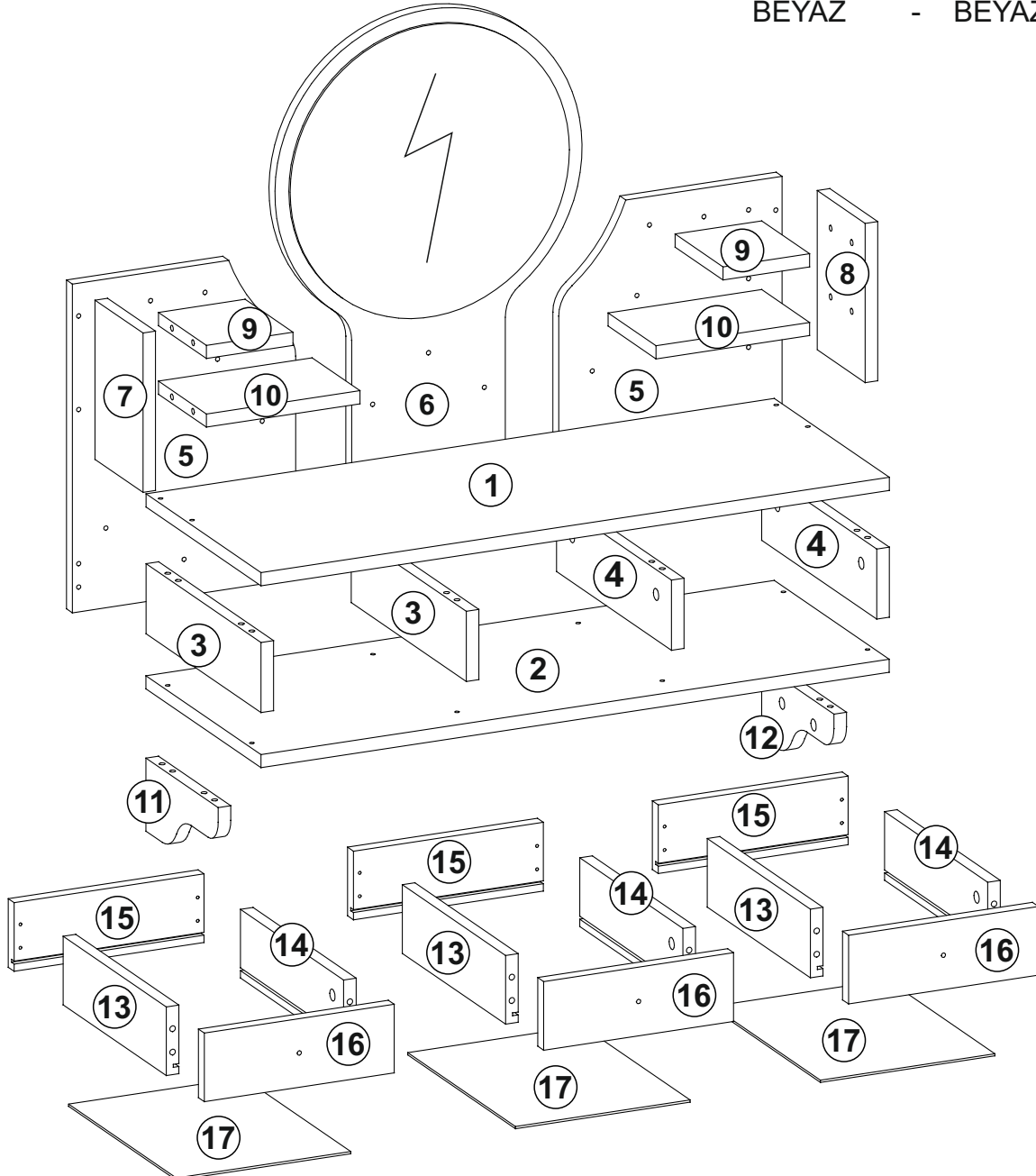




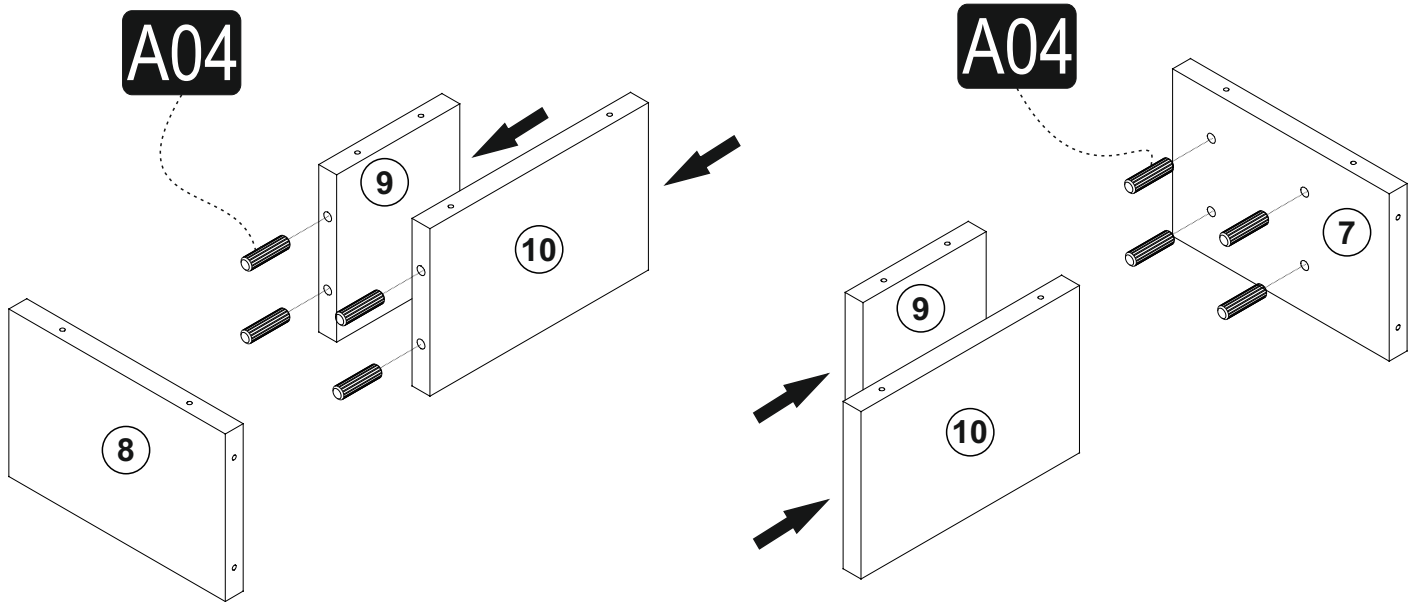
AKSESUAR LİSTESİ / ACCESSORY LIST

A23  18x	A22  18x	A04  26x	A49  4x22mm 3x	K26  MNTN KLP 3x														
A17  4x50 52x	A42  5x70 6x	A16  DB 8mm 6x	R01  RP 6x	A38  DP 6x														
A10  14mm 1. RENK 28x	A10  14mm 2. RENK 22x	A06  18 mm 2. RENK 18x	TAPA RENKLERİ <table border="1"> <thead> <tr> <th>1. RENK</th> <th>2. RENK</th> </tr> </thead> <tbody> <tr> <td>ATLANTİK</td> <td>- BEYAZ</td> </tr> <tr> <td>ATLANTİK</td> <td>- ANTRASİT</td> </tr> <tr> <td>ATLANTİK</td> <td>- BUTE BEJ</td> </tr> <tr> <td>LİDYA</td> <td>- BEYAZ</td> </tr> <tr> <td>LİDYA</td> <td>- ANTRASİT</td> </tr> <tr> <td>BEYAZ</td> <td>- BEYAZ</td> </tr> </tbody> </table>		1. RENK	2. RENK	ATLANTİK	- BEYAZ	ATLANTİK	- ANTRASİT	ATLANTİK	- BUTE BEJ	LİDYA	- BEYAZ	LİDYA	- ANTRASİT	BEYAZ	- BEYAZ
1. RENK	2. RENK																	
ATLANTİK	- BEYAZ																	
ATLANTİK	- ANTRASİT																	
ATLANTİK	- BUTE BEJ																	
LİDYA	- BEYAZ																	
LİDYA	- ANTRASİT																	
BEYAZ	- BEYAZ																	

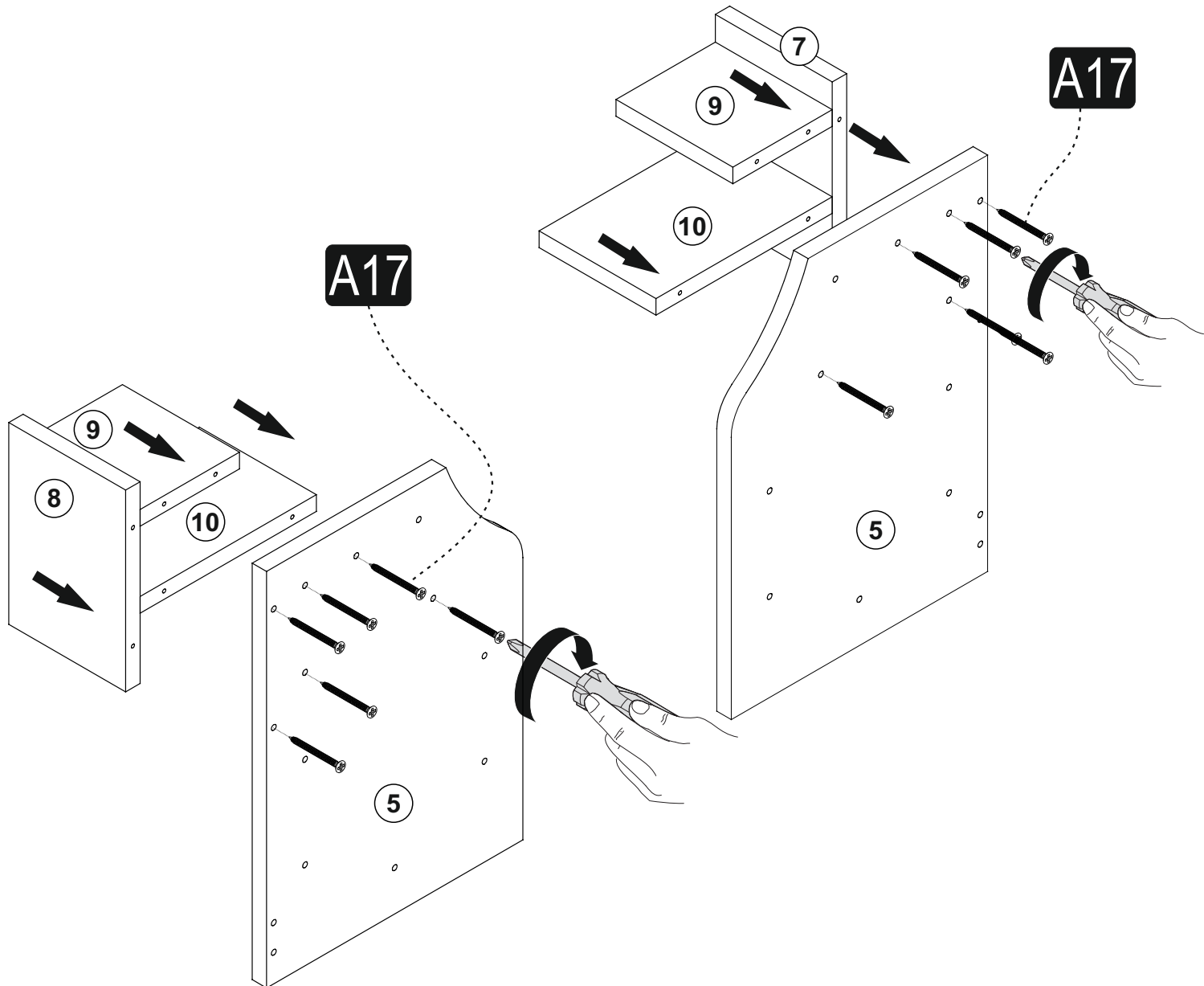
PARÇA KODLAMA / DISASSEMBLED VIEW



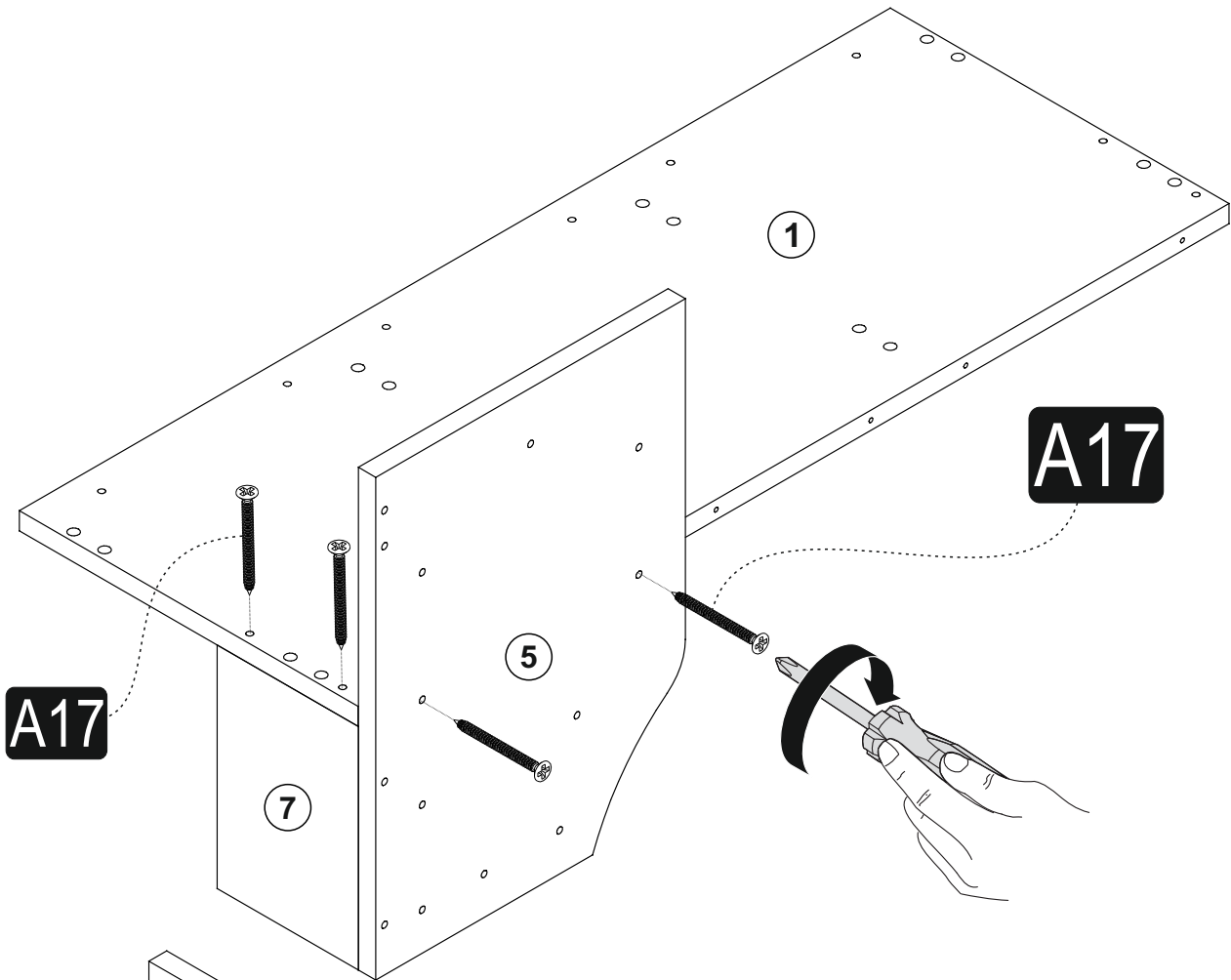
1



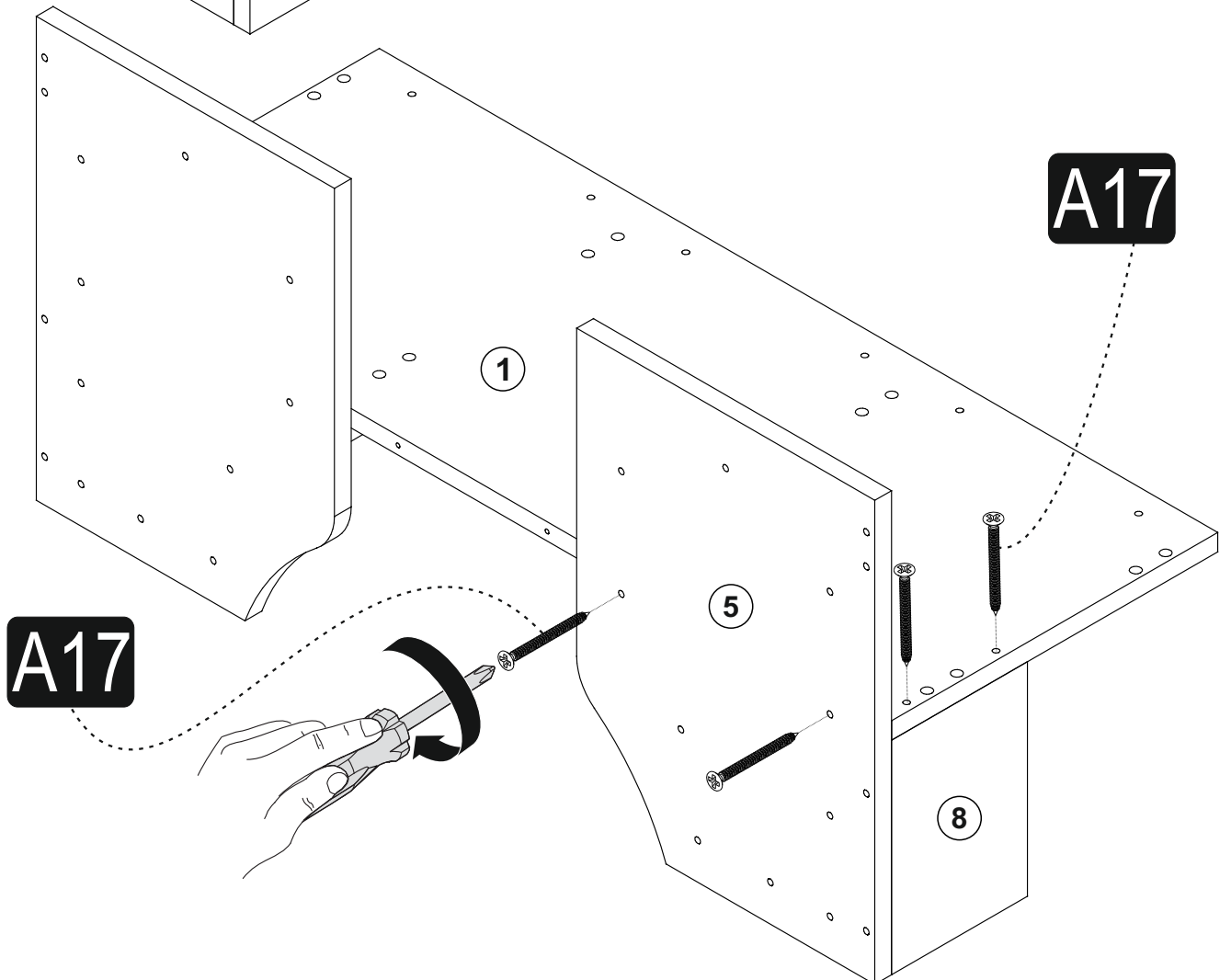
2



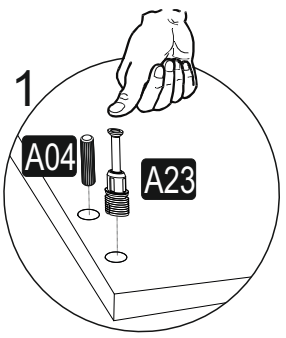
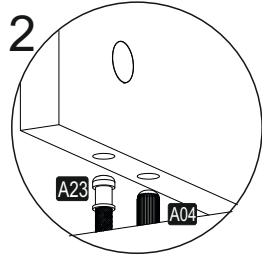
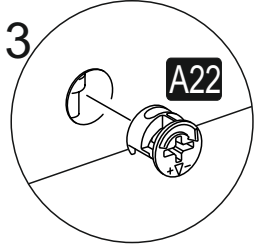
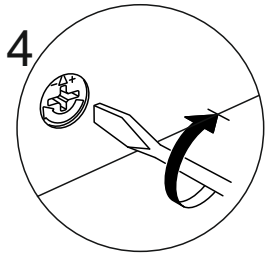
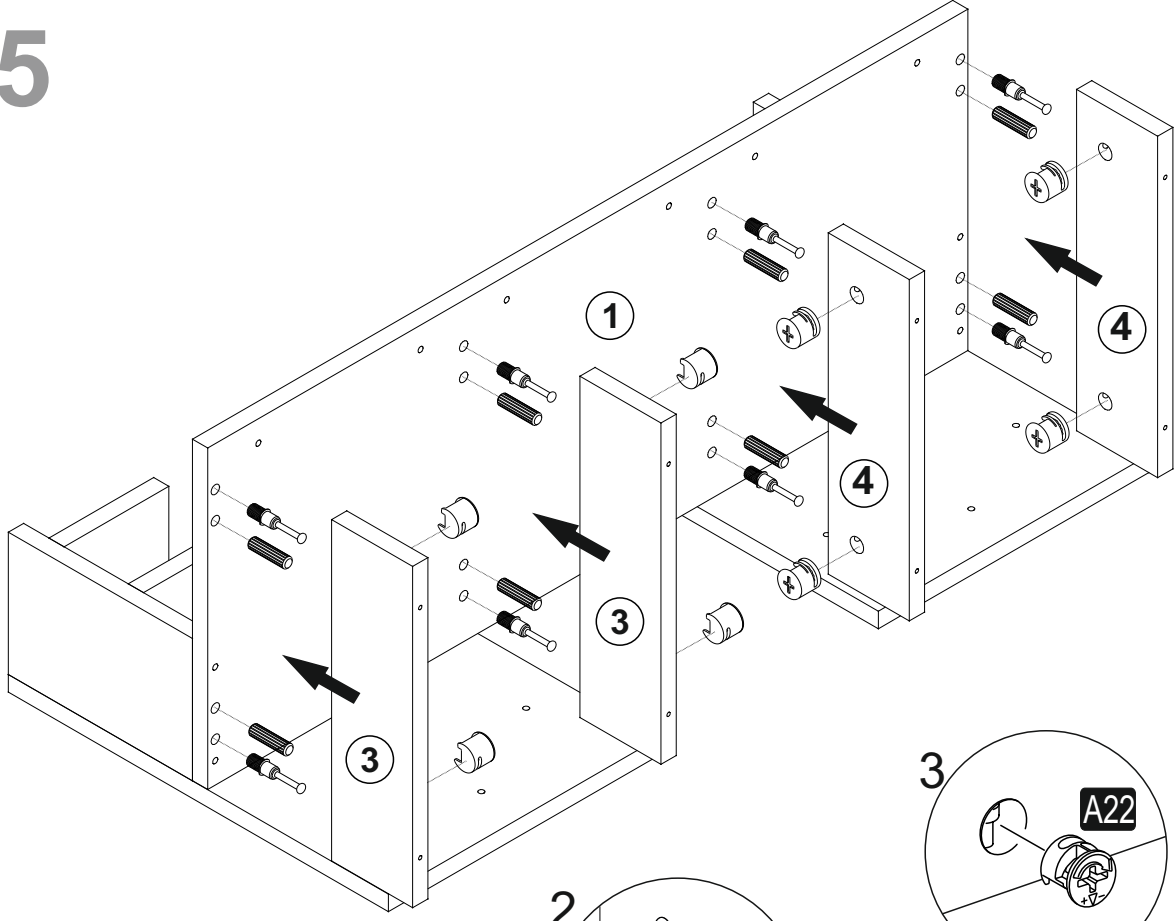
3



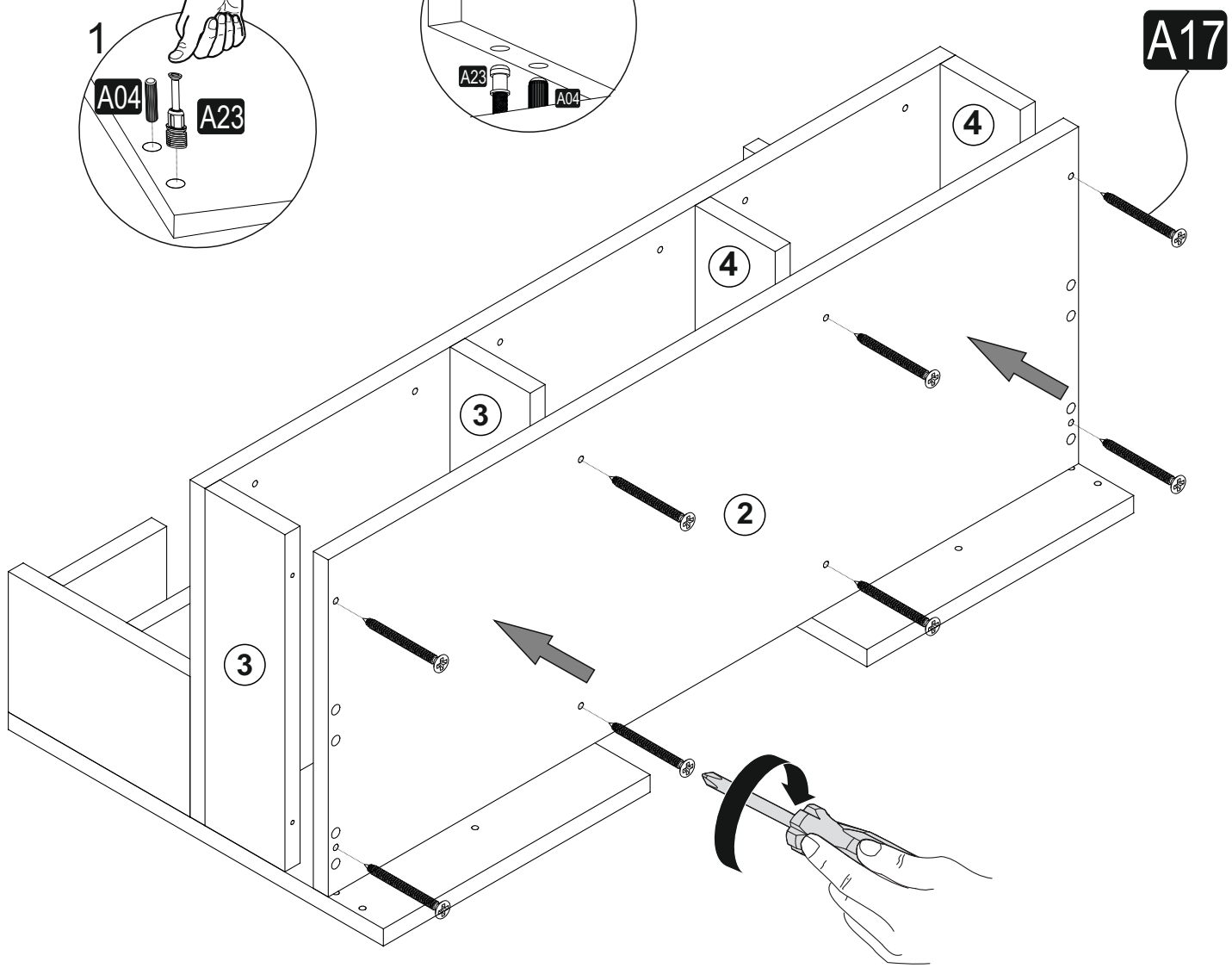
4



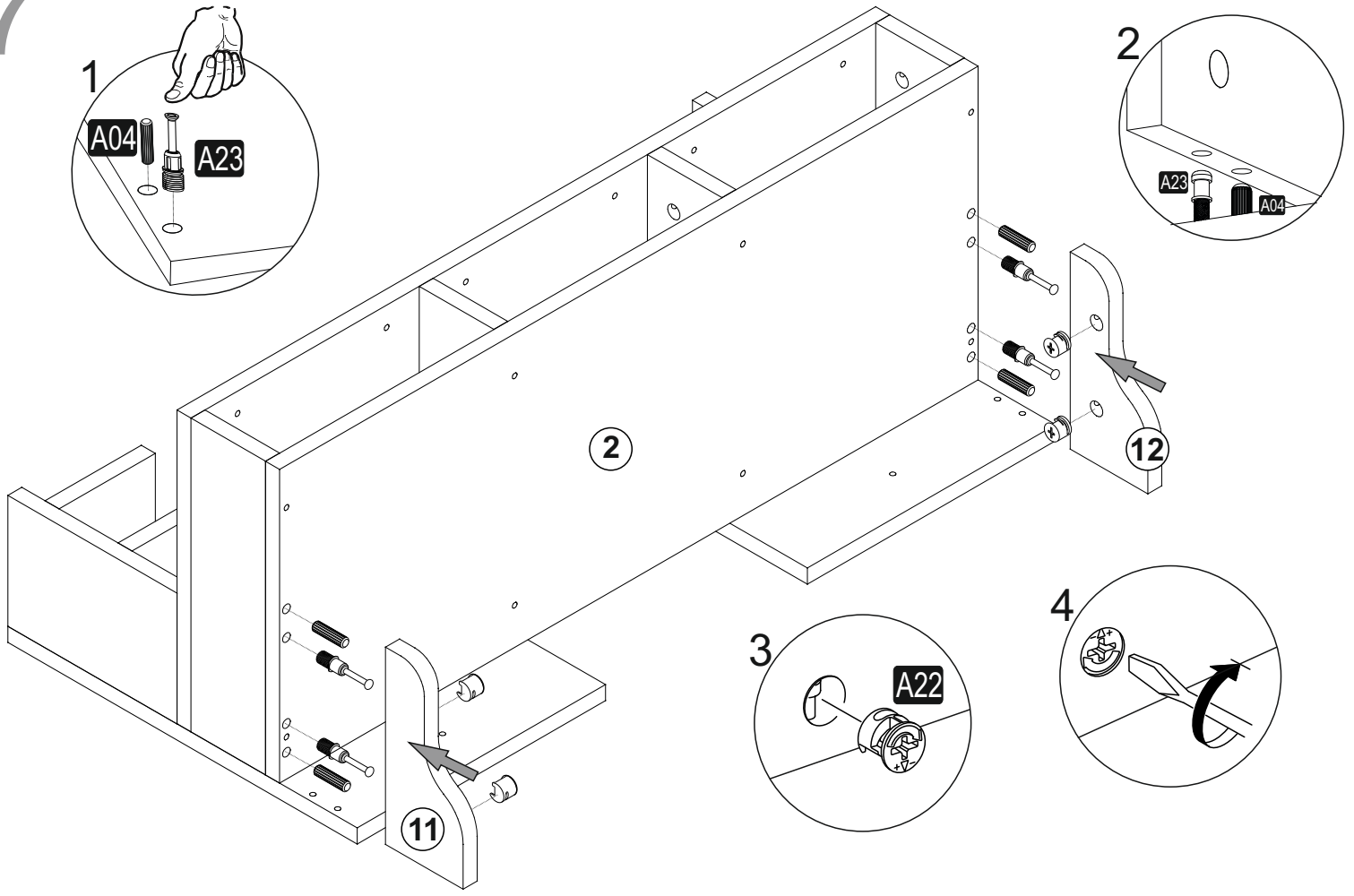
5



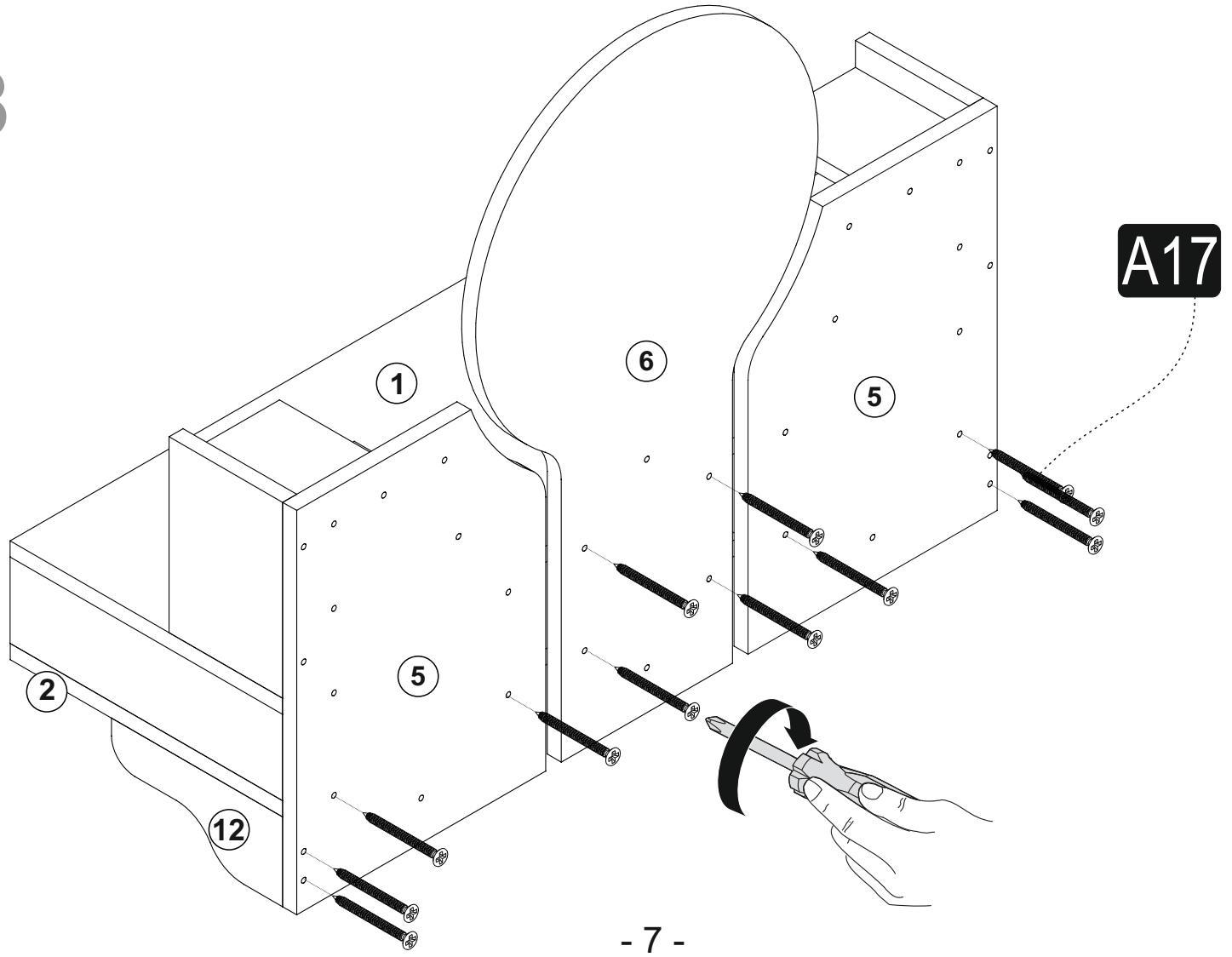
6

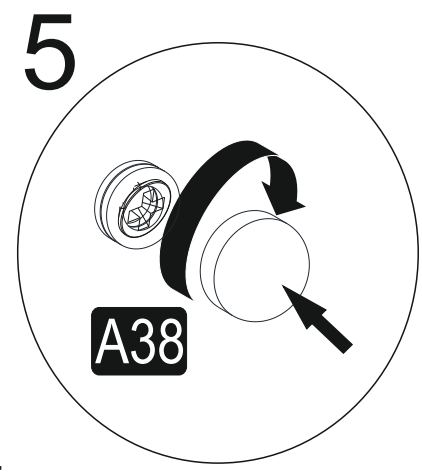
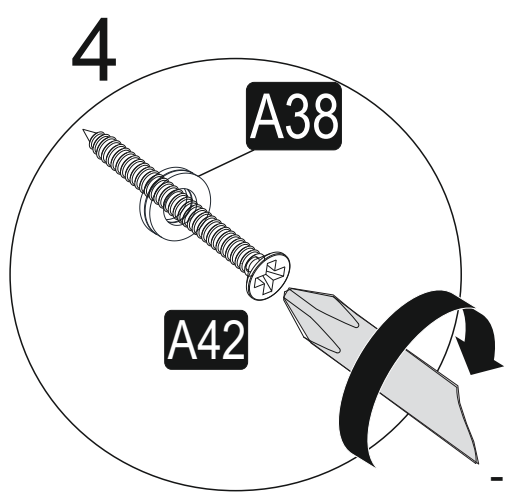
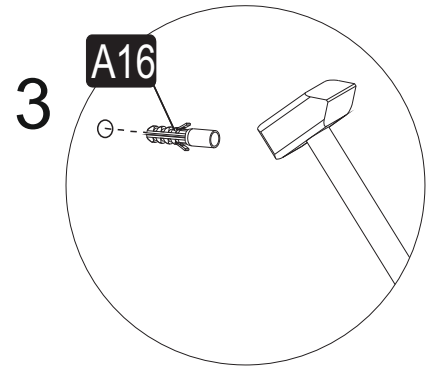
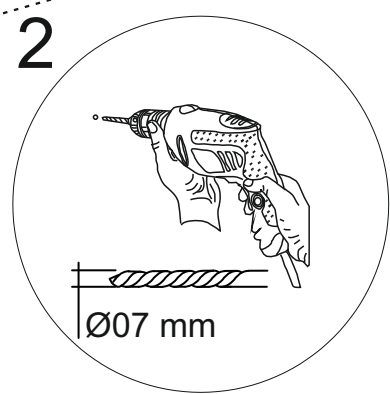
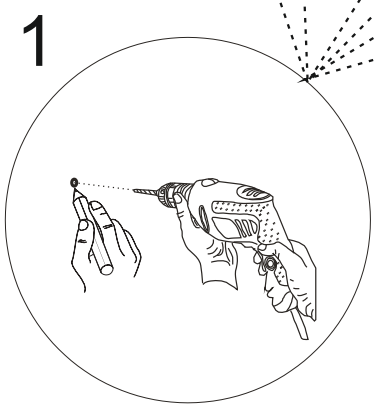
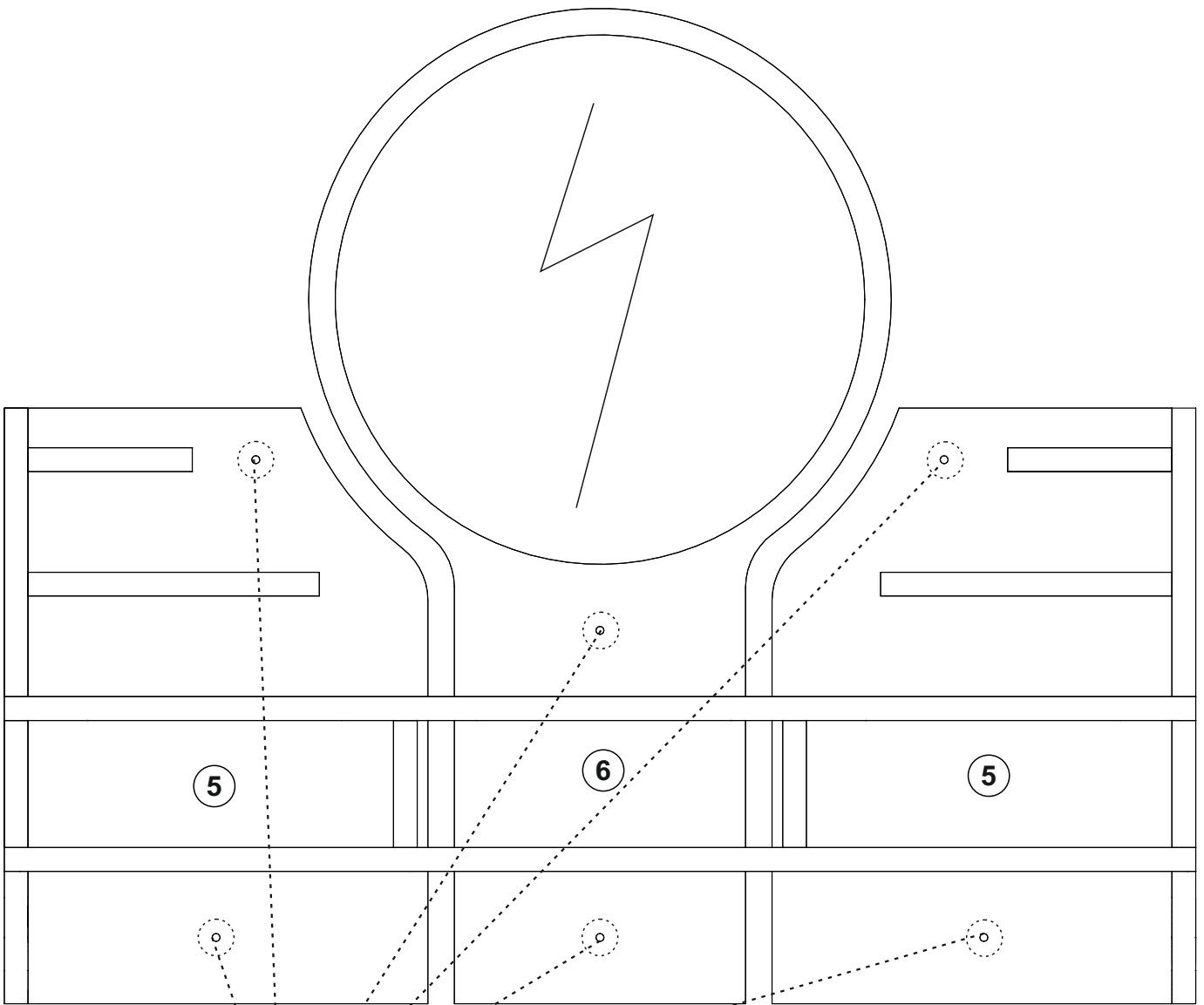


7



8

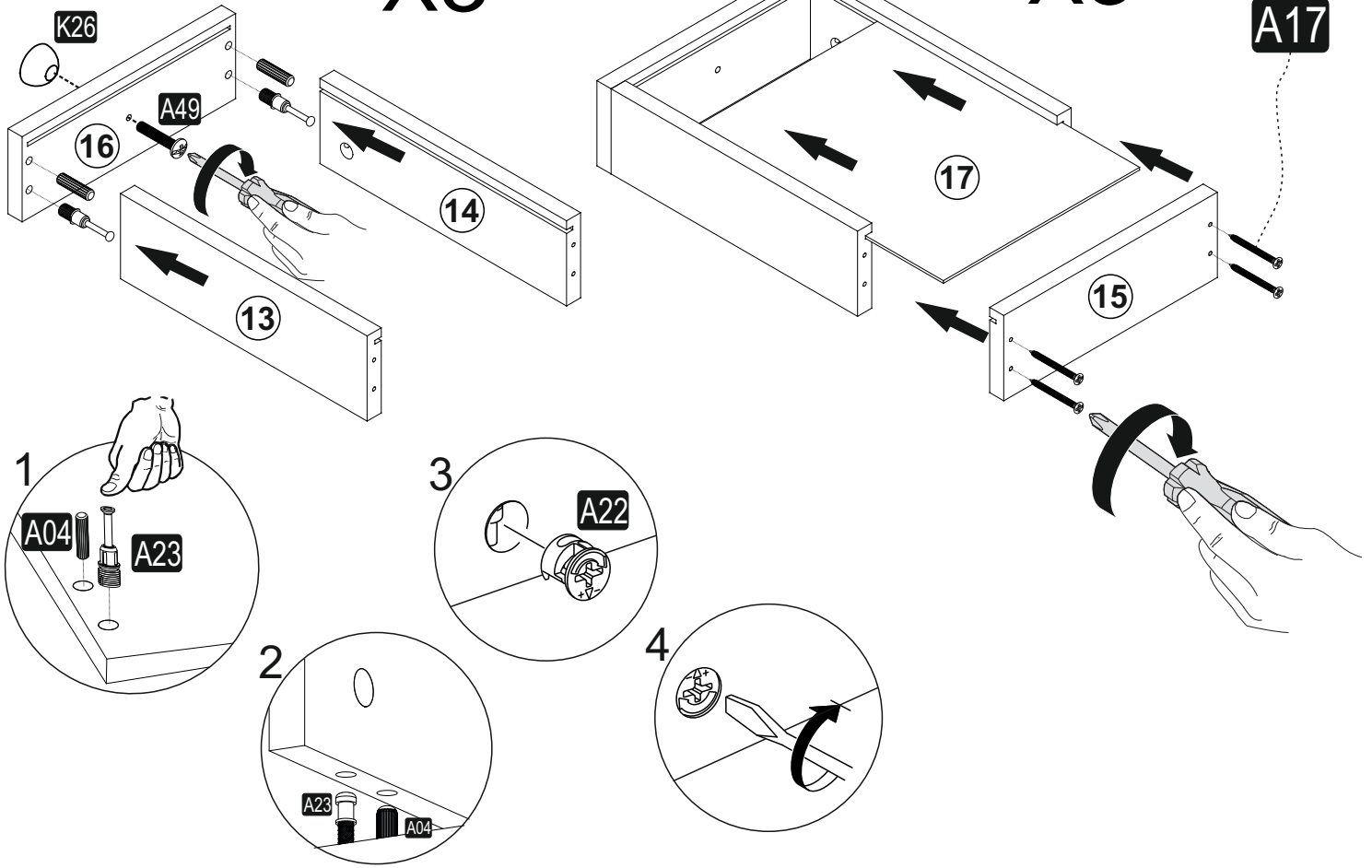




10

X3

X3



11

