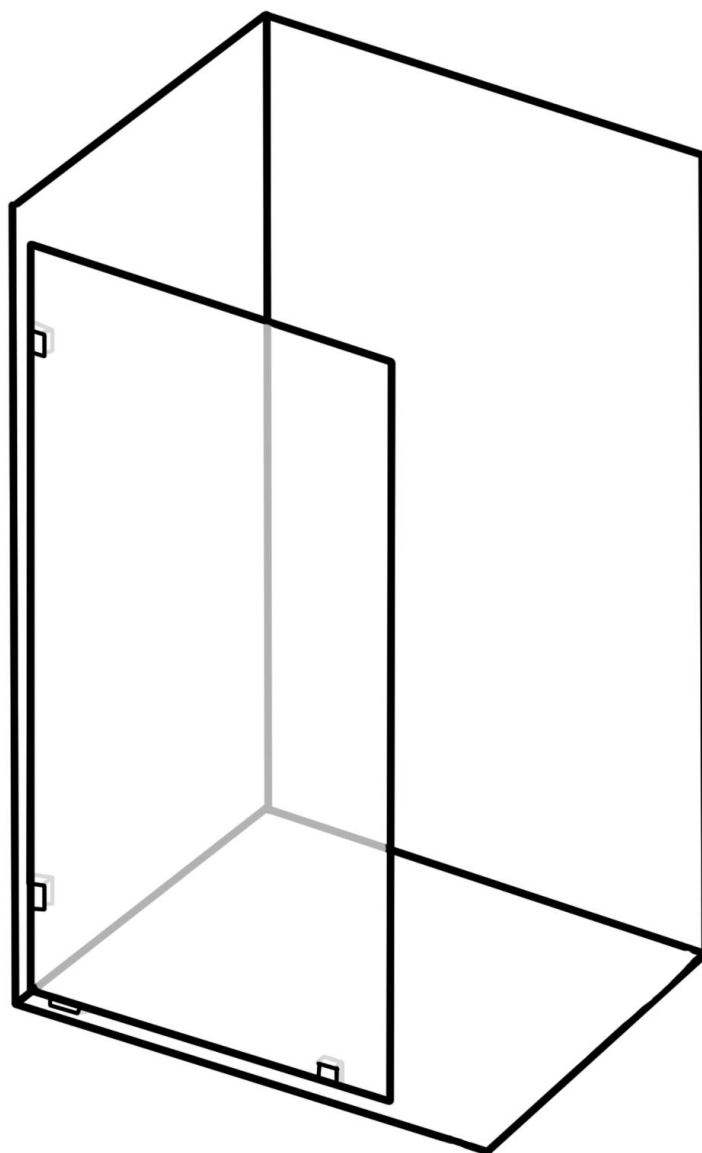
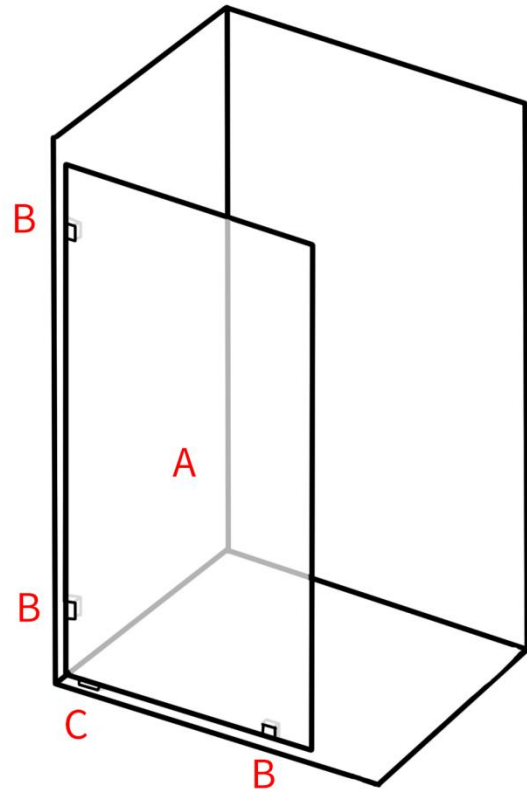


# Shower Enclosure Installation Guide

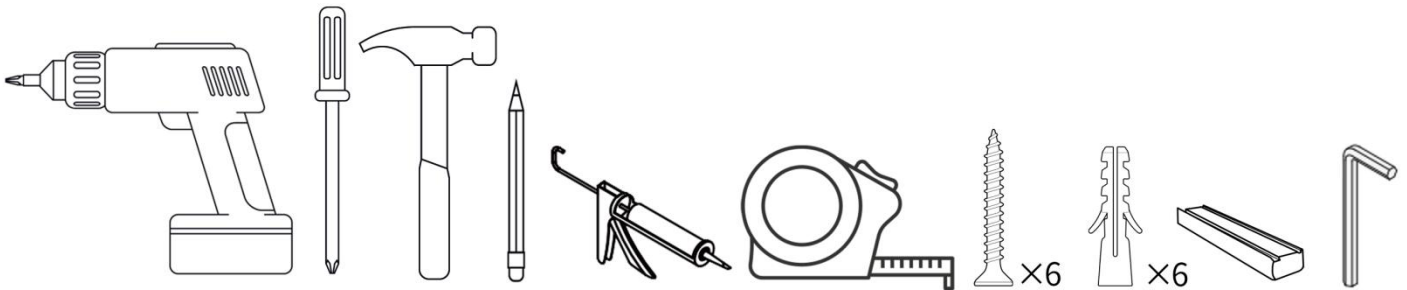


# Parts List

ITEM		Quant
A	Fixed Panel	1 pc
B	Clip	3 pc
C	Rubber Bar	1 pc



# Tools Needed



# Notes:



**Caution:** The most fragile parts of tempered glass panels are the corners. Therefore it is critical you have the rubber blocks in place so the glass never touches the tile surface you are installing onto, Please make sure the glass is always on cardboard packaging or rubber blocks while out of the packaging prior/during install. Rubber block is provided in your hardware pack however you can use wood, cardboard or other rubber products to protect against breakage.



**Attention installer:** A light haze or smudging may be present on the coated glass panels upon delivery. This is easily removed with denatured or isopropyl alcohol and a good quality microfiber cloth, followed by a rinse of water. This can be done before or after installation.

# Installation Steps

## Step 1:

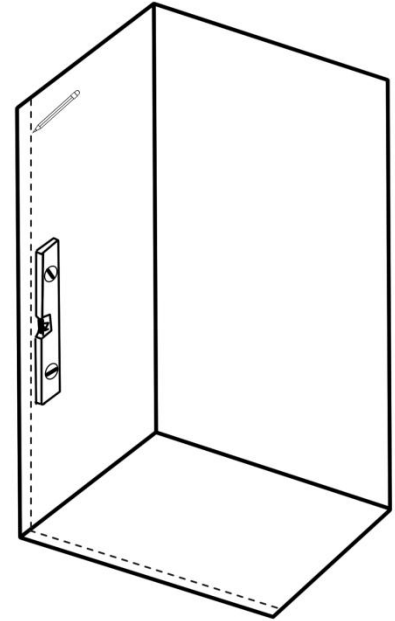
### Measure and mark the Fixed Panel location.

Using a level, draw a vertical guideline on the wall where the Fixed Panel will be installed. On the floor, mark a horizontal line adequate distance from the front edge of the threshold. This line serves as the center reference for the Clips.

**Important:** This panel is fully reversible and can be installed on right or left hand wall as needed.

If installing an enclosure with fiberglass walls, a stud must be directly behind where the panel will be installed.

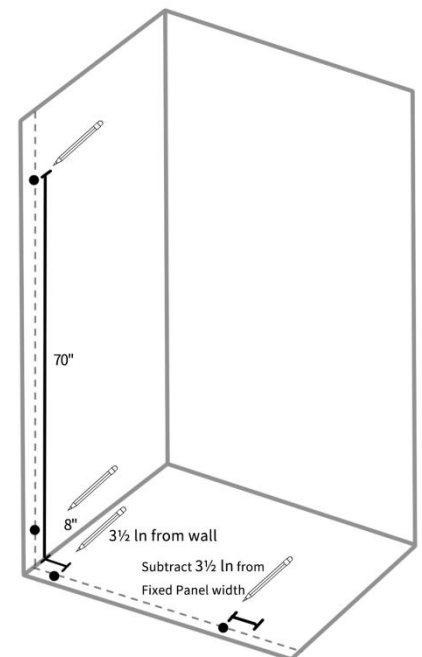
**Tip:** We recommend marking with a pencil for easy removal.



## Step 2:

### Mark Locations for Clips.

1. Measure 70 in. up the vertical line from the floor to mark the position for the first Wall Clip.
2. Measure 8 in. up the vertical line from the floor to mark the position for the second Wall Clip.
3. Measure  $3\frac{1}{2}$  in. from the wall and mark this point on the floor.
4. Measure the width of the Fixed Panel, subtract  $3\frac{1}{2}$  in. then measure this remaining distance from the wall and mark it on the floor.

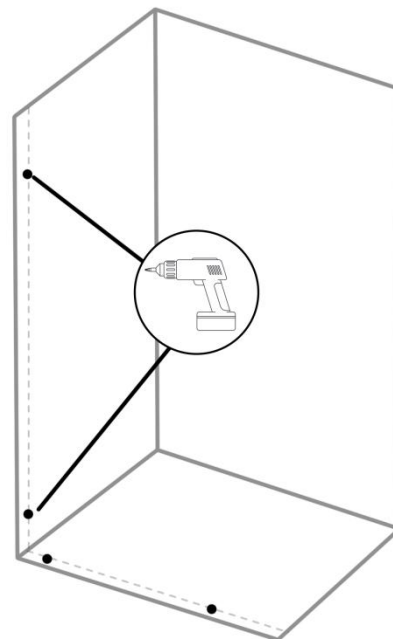


# Installation Steps

## Step 3:

### Drill holes for Wall Clips.

Use a drill bit to create holes and install the wall anchors.  
Trim excess from the wall anchors hanging out of the hole with utility knife so clips sit flush to wall.

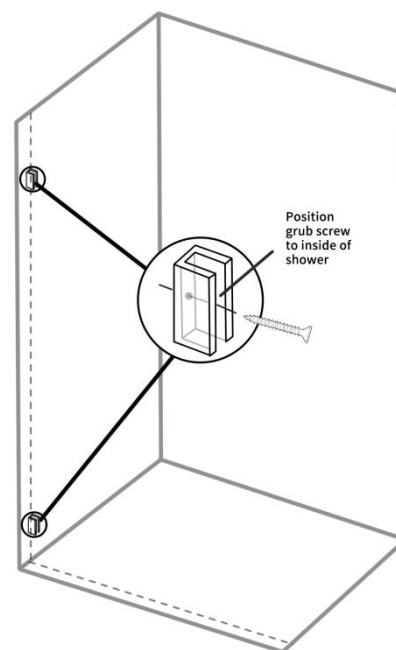


## Step 4:

### Install Wall Clips for Fixed Panel.

Position the Wall Clips over the pre-drilled holes and fasten them securely with screws. Ensure that the grub screws on the Clips are oriented toward the shower interior. Double-check that all Clips are firmly tightened to the wall for secure installation.

**Important:** Grub screw in Clip must have rubber tip so it can contact glass panel without damage. Please contact us if grub screw is missing rubber tip.

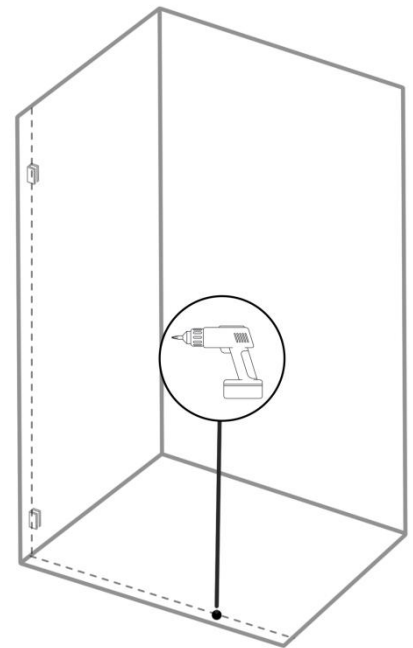


# Installation Steps

## Step 5:

### Drill holes for the Bottom Clips

Use a tile drill bit to drill the third hole on the floor. And insert the Anchor. Apply a small amount of silicone inside the drilled holes before securing the Bottom Clips. If the floor is made of wood, do not use a Wall Anchor; instead, directly screw the Bottom Clip into the floor.

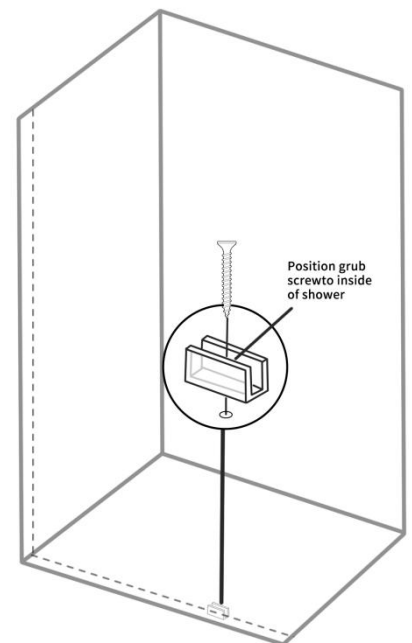


## Step 6:

### Install Fixed Panel Bottom Clips

Secure the Fixed Panel Bottom Clips in place.

The rubber blocks inside will protect the Fixed Panel during the installations process.

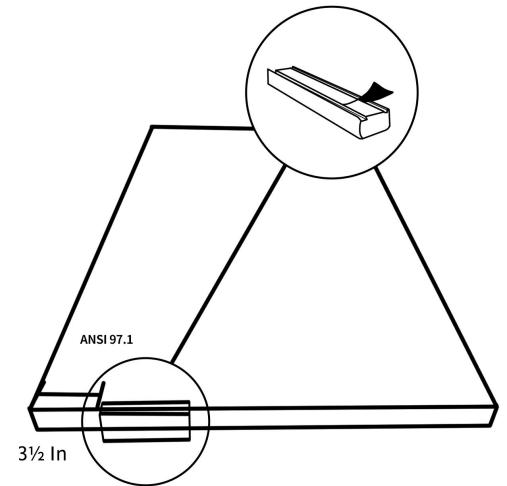


# Installation Steps

## Step 7:

### Attach the Rubber Bar to Fixed Panel

Measure and mark  $3\frac{1}{2}$  in. from the left bottom edge of the Fixed Panel (close to the certification print). Peel the red seal of the rubber bar and attach it along the marking. The purpose of the rubber bar is to support the Fixed Panel and align with the bottom clip.

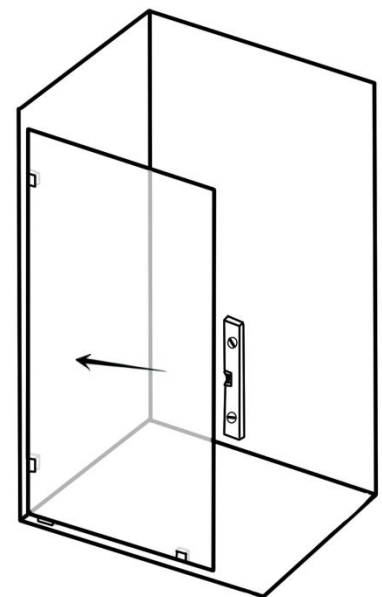


## Step 8:

### Install and Level the Fixed Panel.

Gently position the Fixed Panel into the Wall Clips and Bottom Clip. Ensure it is fully seated in the clips. Use a level to confirm that the Fixed Panel is properly aligned.

Once level, securely tighten the Clip screws.



# Installation Steps

## Step 9:

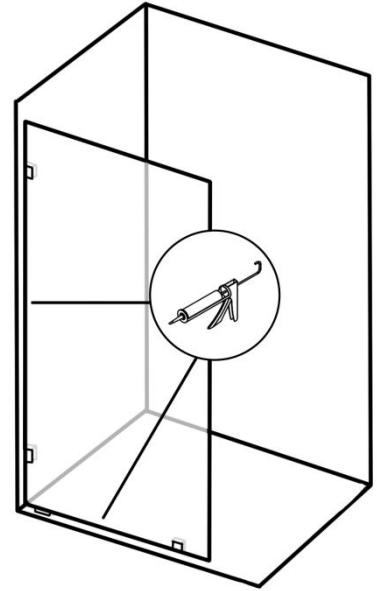
### Seal the Fixed Panel with Silicone.

Apply silicone along the edges where the Fixed Panel meets the wall and base, covering both the inside and outside edges.

Ensure the gap between the glass and base is thoroughly sealed.

After applying silicone, spray it lightly with water and use spatula to smooth the seal and remove any excess silicone residue.

**Important:** It is critical that the silicone is given 24 hours to set and 48 hours to cure.



## Step 10:

### Complete the Installation

Once the silicone has fully cured, the installation is complete.

